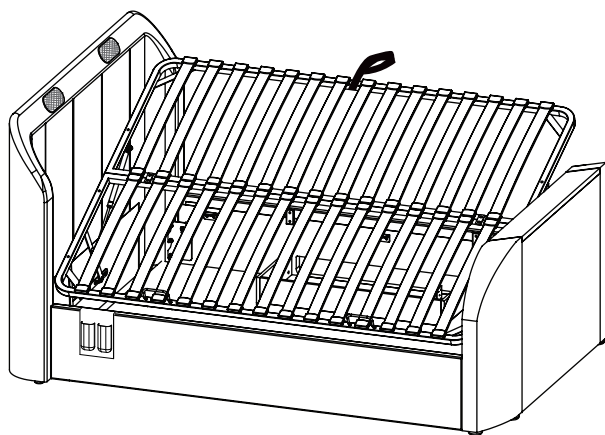
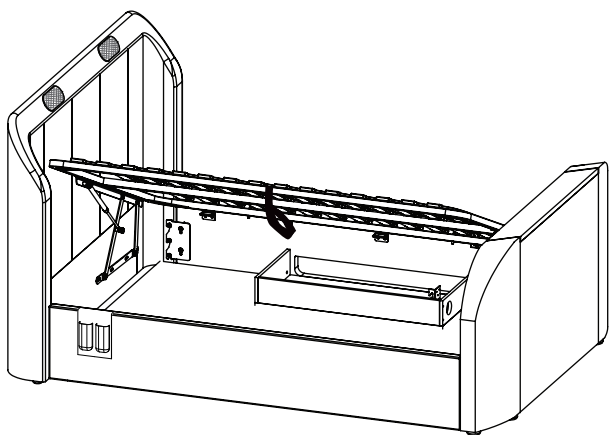
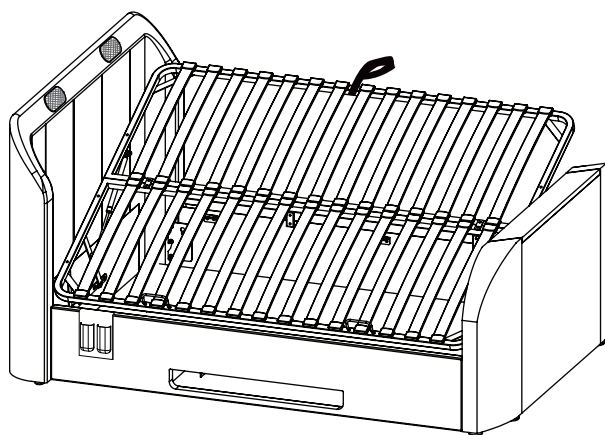
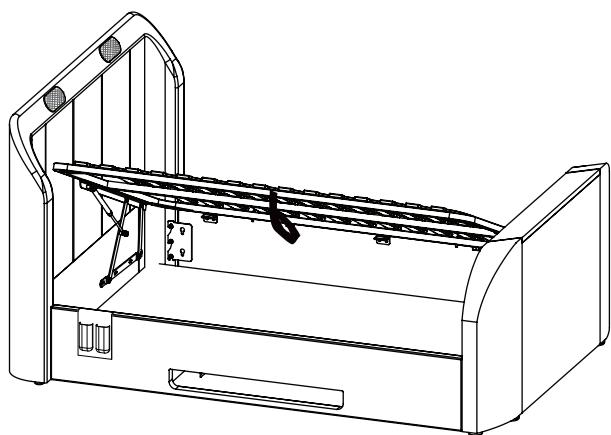


SAPPORO OTTOMAN TV BED



1.5 hour approx
assembly time



Two person
assembly

Dreams

Thank You

Dear Customer, Thank you for choosing to purchase your bed from Dreams - we hope it brings you your best ever night's sleep. Before you begin building your bed, please take a moment to read through the instructions and make sure that you've got all the relevant parts listed on the following pages.



Assembly tips

Before you begin, it's best to identify all parts and fittings to build your bed. We advise laying these out on the floor to check you have everything, and familiarising yourself before building.



Top tip

We recommend that you build your new bed in the room you'd like it to be located - this will help prevent any risk of damage to your newly built bed whilst moving it.



Safety and care

It's really important to ensure children and animals are kept away from the assembly area, as there are small components used in this bed which could present a choking hazard. All plastic and wrapping materials should also be kept away from children and animals to prevent any risk of suffocation. To keep your little ones busy, there is a colouring page inside the back cover.



Help and support

At Dreams, it's our mission to give the whole nation a great night's sleep - this means that the quality of our products is of utmost importance to us. If there are any issues with your product or any missing parts, please contact our Help Centre on 0800 652 6750, where a member of our team will be happy to help. (For customers based in Northern Ireland, please call 028 9050 8300)



Recycling

Please ensure that packaging is disposed of in a safe and environmentally friendly way, and recycle where possible. Our assembly instructions are printed on recycled paper. Please keep your assembly instructions safe to refer back to in the future.

Warning

- You must ensure that the mattress is on the bed frame before operating the lift mechanism, failure to do so could result in injury.
- Keep hands clear of the mechanism when opening or closing the ottoman.
- Beware of entrapment – Never reach in through the mechanism to access the storage area.
- Always ensure that the ottoman is FULLY opened before accessing the storage area.
- Do not exceed the maximum weight as specified in the table below:

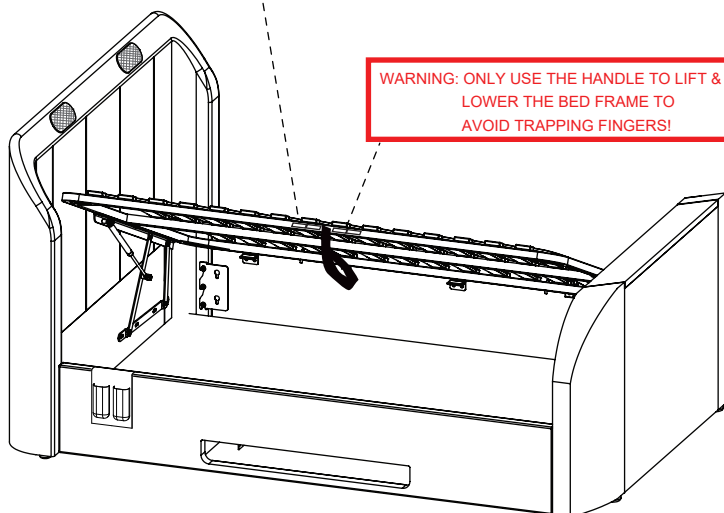
Bed	Bed Size	Min Weight (kg)	Max Weight (kg)
Sapporo	Double	25	65
	King	25	60



- Use caution when operating, always use the handle when lifting.
- Note: This bed uses a pressurised mechanism.
- To be operated by adults only
- Please ensure that children and pets are kept away from the bed when operating the lift mechanism.
- Keep children and pets away from the storage area.
- Do not overload the internal storage base.
- Do not stand inside the internal storage area of the bed.
- Before removing the mattress secure the frame to ensure it does not open unexpectedly.
- Do not attempt to lie on the mattress when the ottoman is in the raised position.

SAFETY WARNING
PLEASE DO NOT ALLOW CHILDREN OR PETS INSIDE THE STORAGE AREA.

SAFETY WARNING
PLEASE BE CAREFUL WHEN LIFTING. ONLY LIFT WITH MATTRESS ON TOP. TO BE OPERATED BY ADULTS ONLY.



WARNING: ONLY USE THE HANDLE TO LIFT & LOWER THE BED FRAME TO AVOID TRAPPING FINGERS!

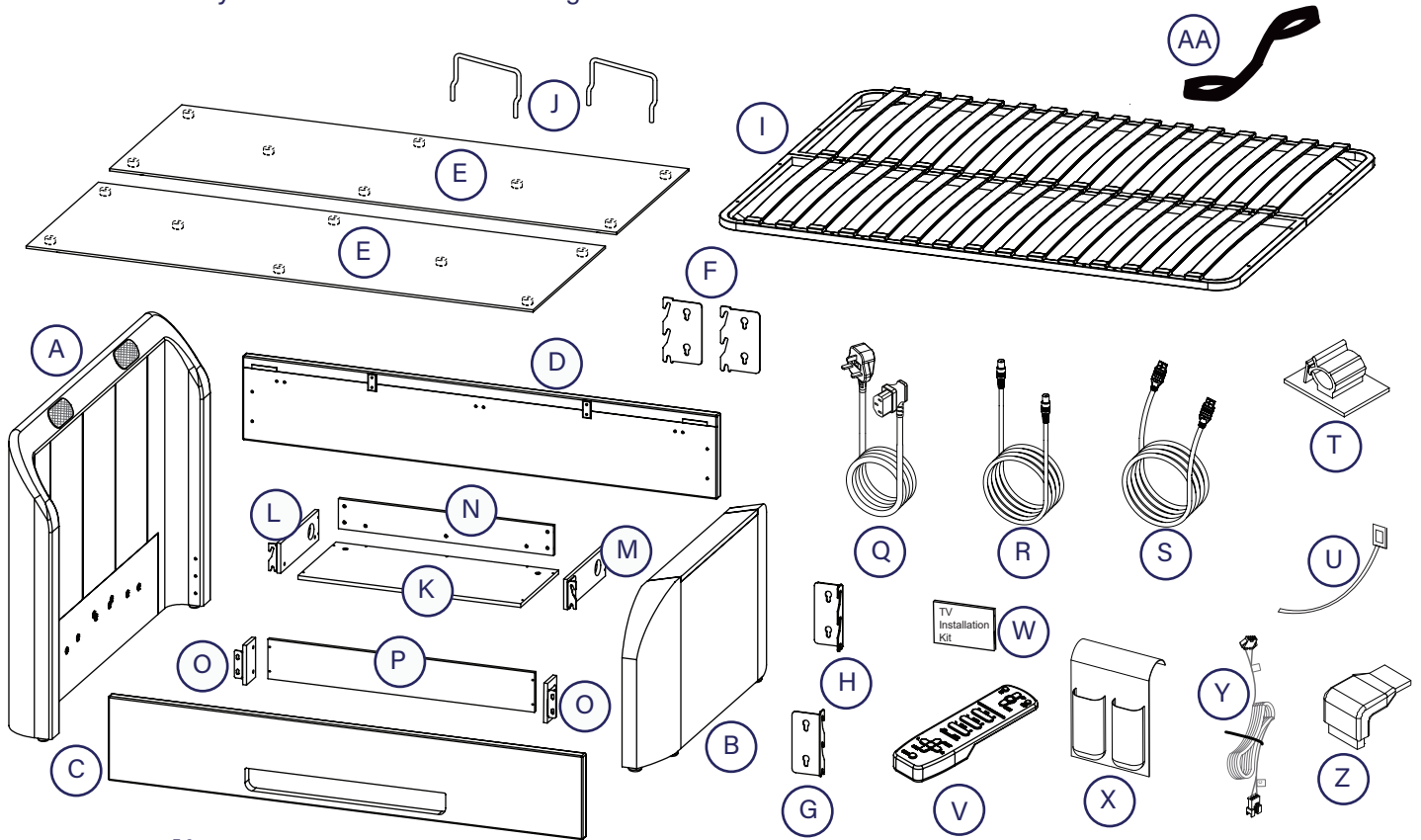
TO AVOID ACCIDENTS
TO ACCESS THE STORAGE AREA THE OTTOMAN FRAME MUST BE FULLY OPENED AND THEN FULLY CLOSED AFTERWARDS

Parts

Important information

The bed you have purchased comes with a metal slat frame lifting from the side. You can configure this to open from left side or right side to make it convenient for the layout of the room it will be located in - please follow the instructions below in their current order.

The media tray can also be fitted on left or right.



Parts list

A.	Headboard	1	N.	Media Tray Back Panel	1
B.	Footboard	1	O.	Cable Guard Side Panels	2
C.	Side Rail - with Media Tray	1	P.	Cable Guard Front Panel	1
D.	Side Rail - without Media Tray	1	Q.	Mains Power Lead - 3.5 mt	1
E.	Storage base boards	2	R.	Aerial Lead - 4 mt	1
F.	Flat hook bracket - headend	2	S.	HDMI Lead - 2.8 mt	2
G.	Angled hook bracket - footend LH	1	T.	Cable Clip	5
H.	Angled hook bracket - footend RH	1	U.	Cable Tie	5
I.	Metal Slat Frame	1	V.	Audio_TV Lift Remote Control	1
J.	Mattress Stopper	2	W.	TV Installation Kit	1
K.	Media Tray Base Panel	1	X.	Remote Control Holster	1
L.	Media Tray Side Panel - L	1	Y.	Connection Cable	1
M.	Media Tray Side Panel - R	1	Z.	HDMI 90° Adapter	1
			AA.	Fabric Hand Strap	1

Packed inside
accessory box
in footboard
Pack (2).

Tools required



Tape measure

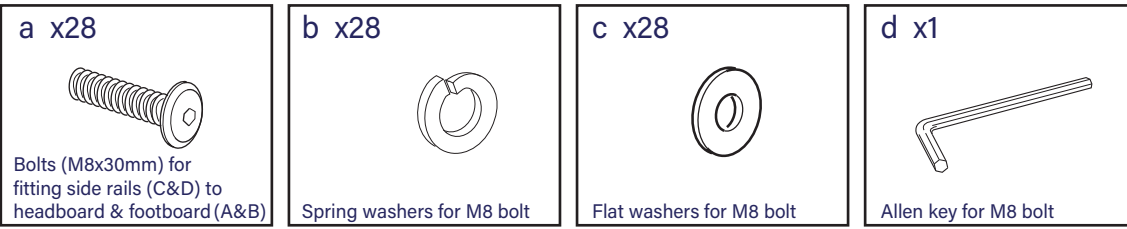


Cross head screwdriver

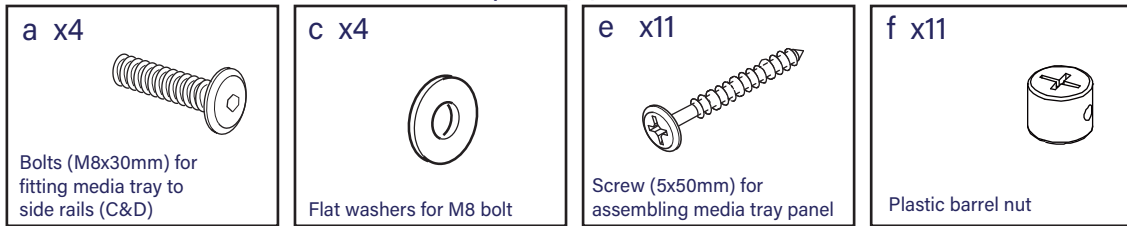
Fittings

Please check you have all the parts listed below with your product:

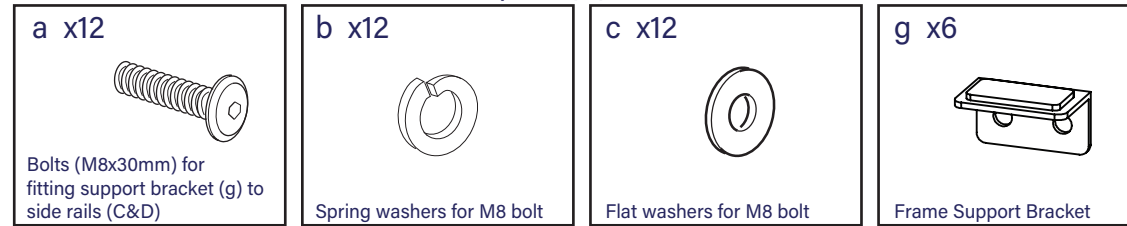
Hardware needed for fitting side rails & gas lift mechanisms to headboard & footboard
Packed in side rail Pack 3 - hardware Pack (A)



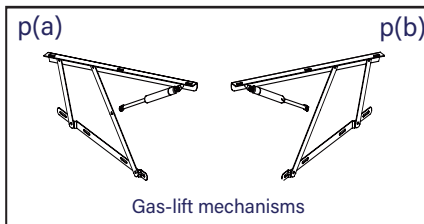
Hardware needed for assembling and fitting media tray to side rail (C)
Packed in side rail Pack 3 - hardware pack (B)



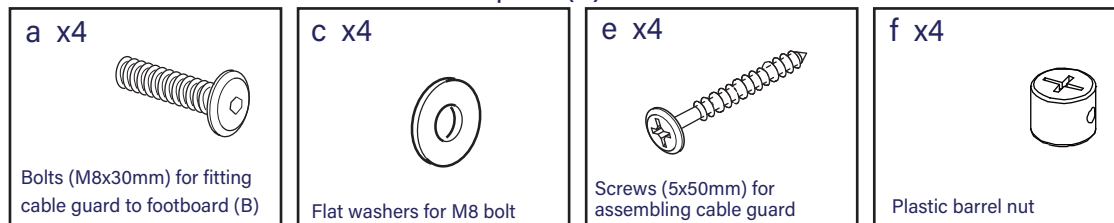
Hardware needed for fitting the support bracket (g) to side rail (C&D)
Packed in side rail Pack 3 - hardware pack (C)



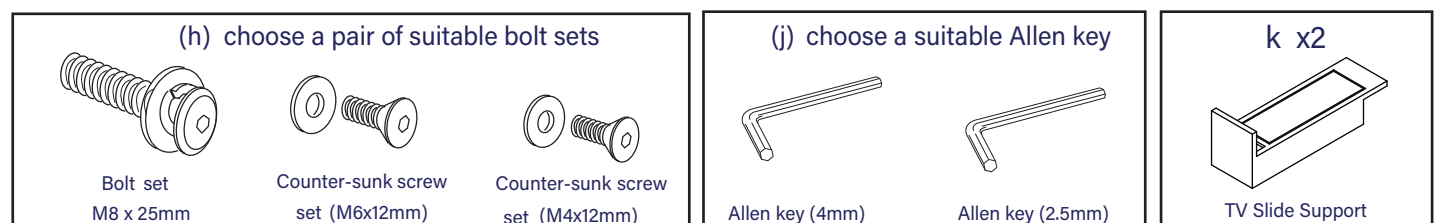
Gas-lift mechanisms for fitting to headboard & footboard
Packed in ottoman Pack 4 - hardware pack (D)





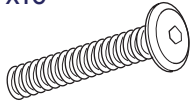
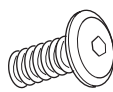



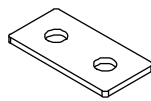
Hardware needed for assembling and fitting cable guard to base of footboard (B)
Packed in side rail Pack 3 - hardware pack (E)

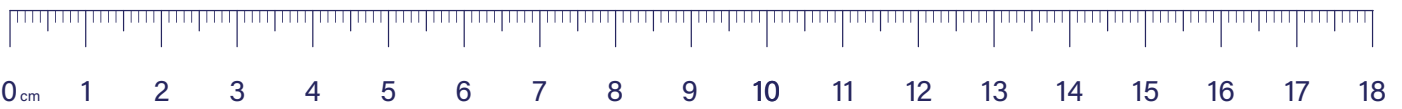


Hardware for TV Installation, packed in the accessory box inside footboard Pack 2



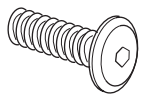




Hardware needed for fitting metal slat frame
Packed in side rail Pack 3 - hardware Pack (F)

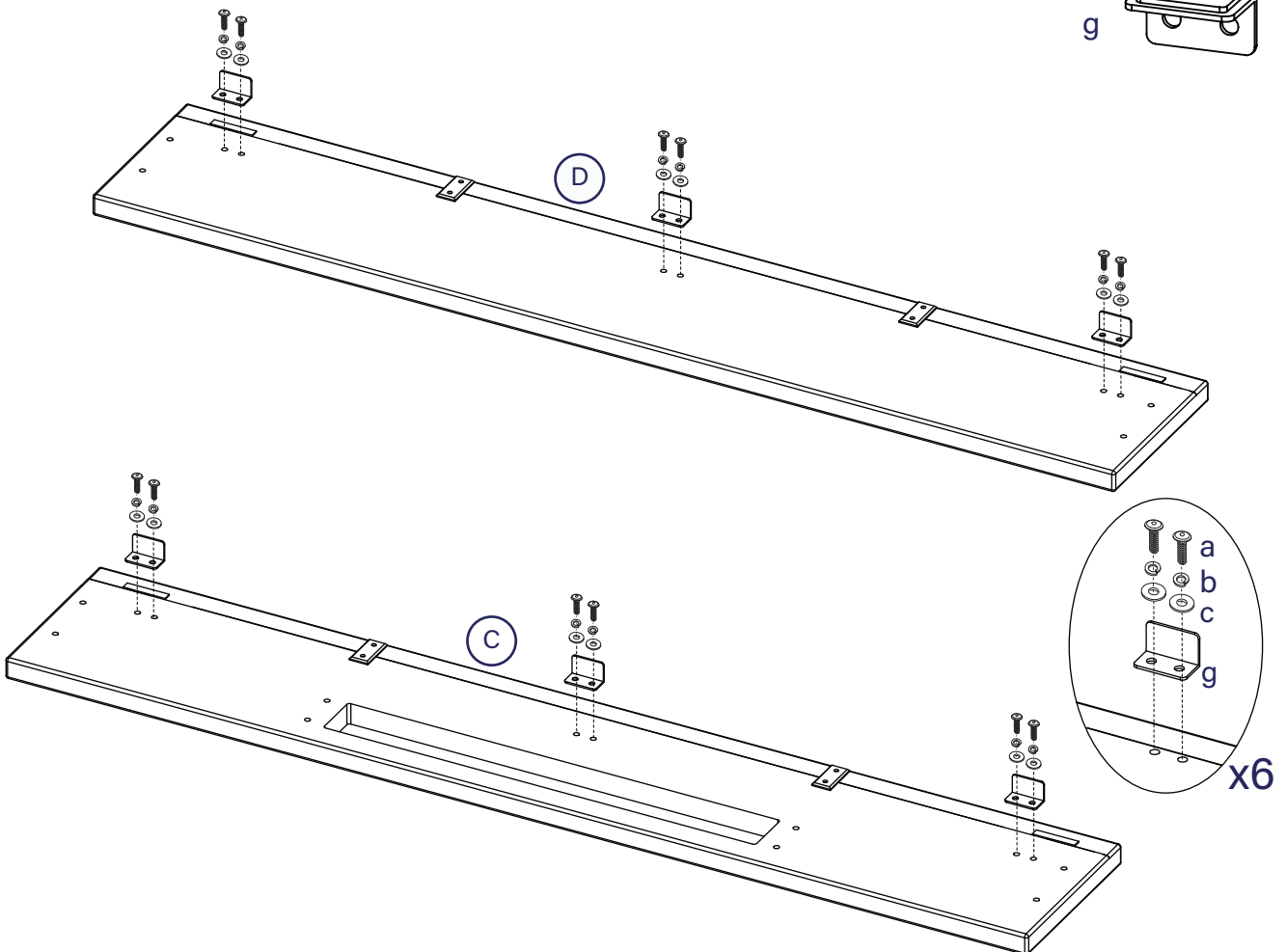
<p>b x10</p>  <p>Spring washers for M8 bolt</p>	<p>c x20</p>  <p>Flat washers for M8 bolt</p>	<p>l x10</p>  <p>Bolts (M8x45mm) for fitting metal slat frame (G) to gas-lift mechanisms (p)</p>	<p>m x4</p>  <p>Bolts (M8x20mm) for fitting metal connection plates (s) to slat frame (G)</p>	<p>n x6</p>  <p>Nut for M8 slat frame bolts</p>
<p>q x2</p>  <p>Flanged lock-nuts (M8) for gas-lift pistons</p>	<p>r x1</p>  <p>Spanner for M8 nuts</p>	<p>s x2</p>  <p>Metal connection plates for slat frame</p>		



Bed assembly.

1

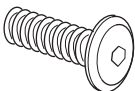


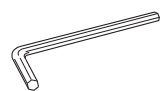
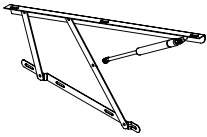

a  x12
 b  x12
 c  x12
 d  x1
g  x6

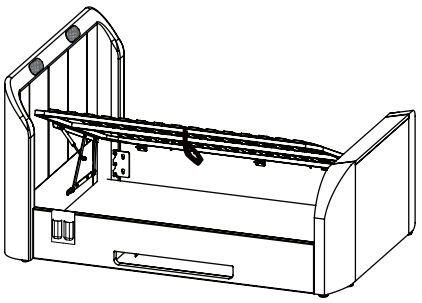


2a

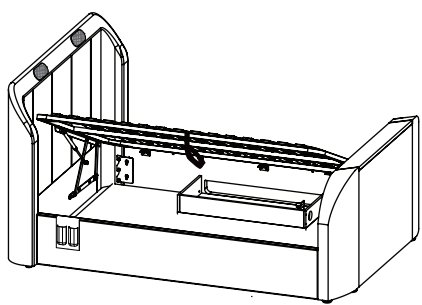
Prepare headboard & footboard, choose from which side to lift up the ottoman

Follow these instructions if you want to lift the frame up from LEFT side of the bed.

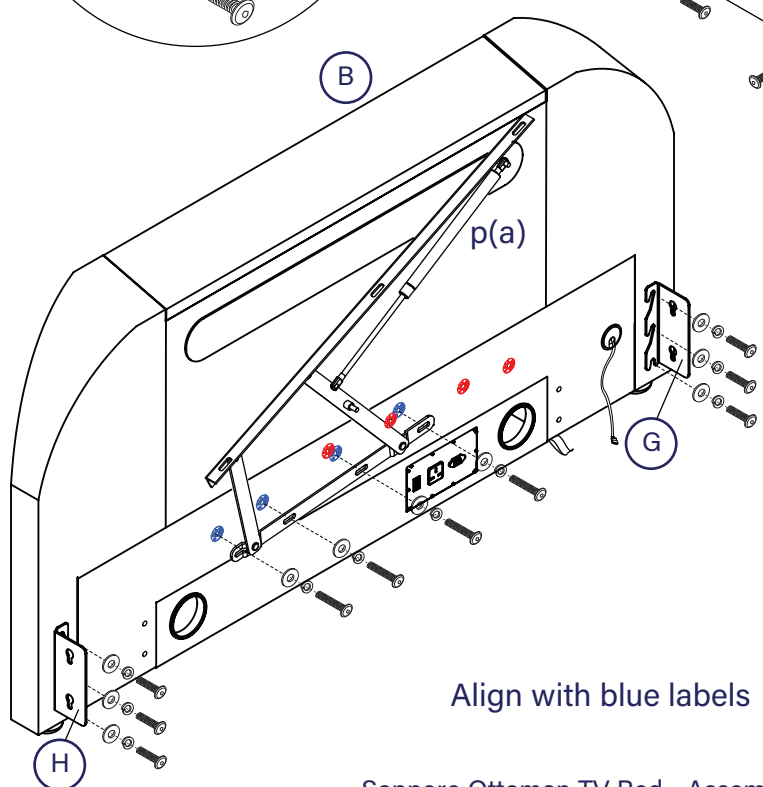
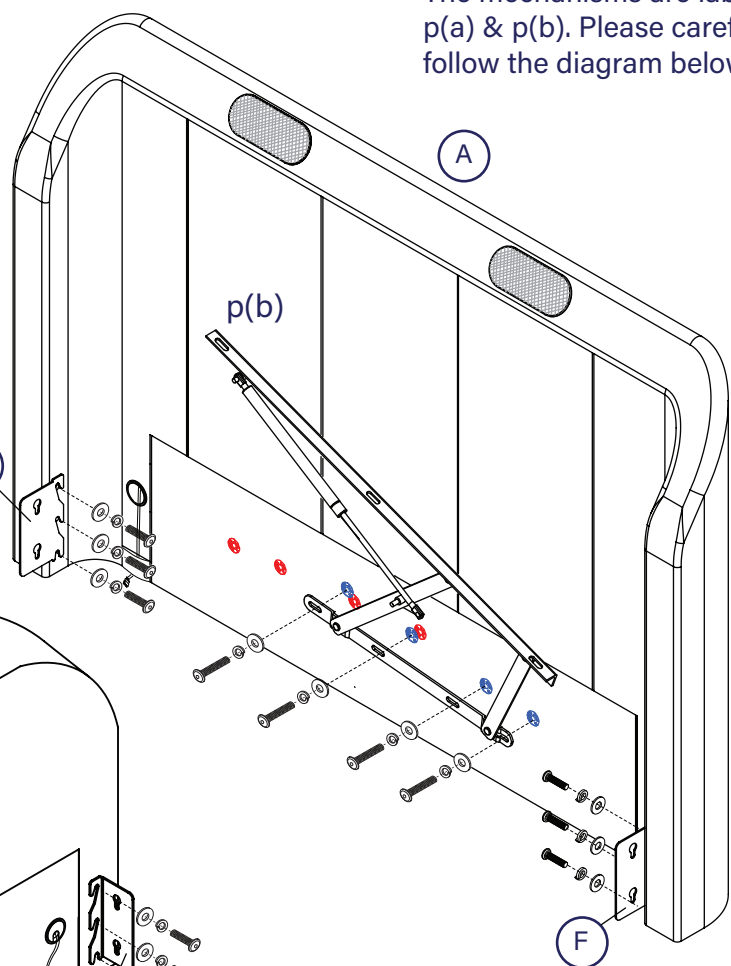
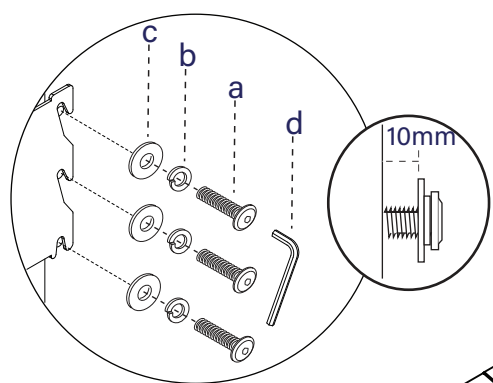
- a  x28
- b  x28
- c  x28
- d  x1
- p (a)  x1
- p (b)  x1



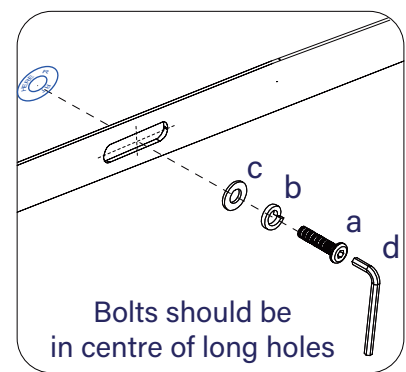
Check this diagram and if access is needed from left side of bed, fit both lift mechanisms to right side of the headboard & footboard. Bolt into the holes marked (R) with blue labels.



The mechanisms are labeled p(a) & p(b). Please carefully follow the diagram below.



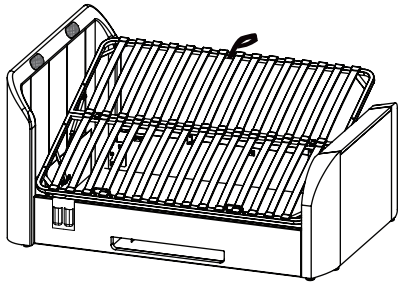
Align with blue labels

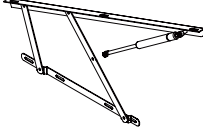
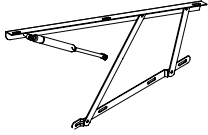


Bolts should be in centre of long holes

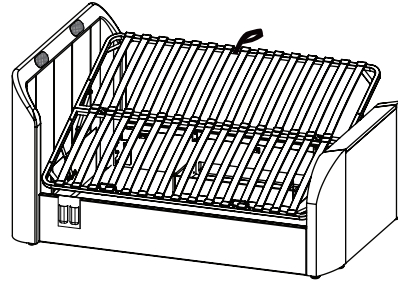
2b Follow these instructions if you want to lift the frame up from RIGHT side of the bed.

- a  x28 b  x28 c  x28 d  x1

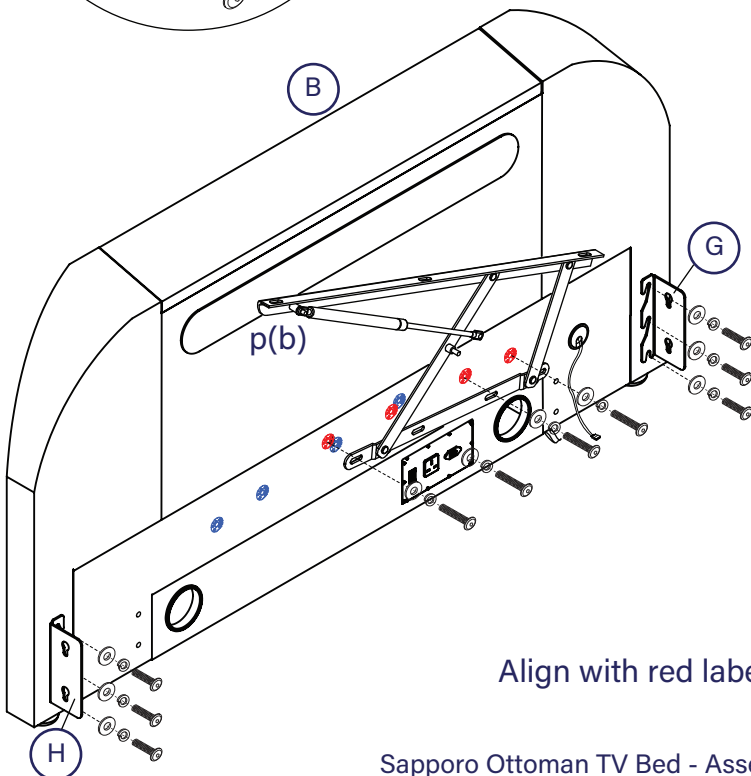
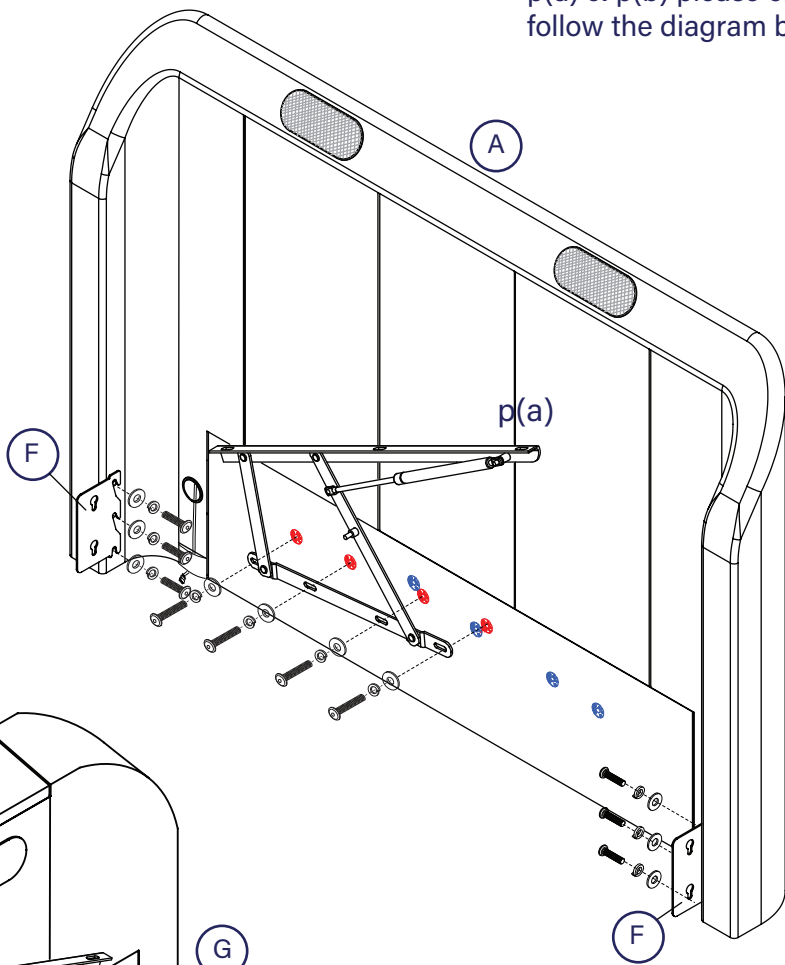
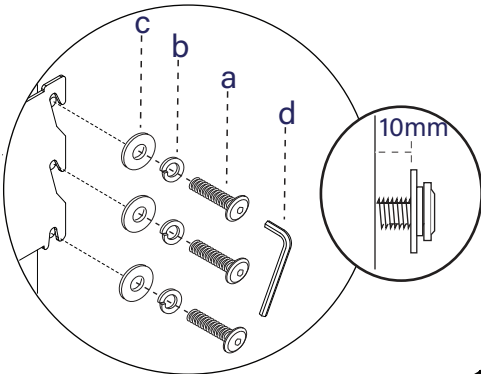


- p (a)  x1 p (b)  x1

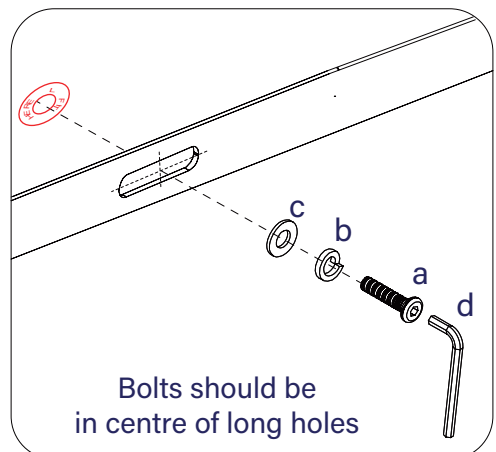
Check this diagram and if access is needed from right side of bed, fit both lift mechanisms to left side of the headboard & footboard. Bolt into the holes marked (L) with red labels.



The mechanisms are labeled p(a) & p(b) please carefully follow the diagram below.



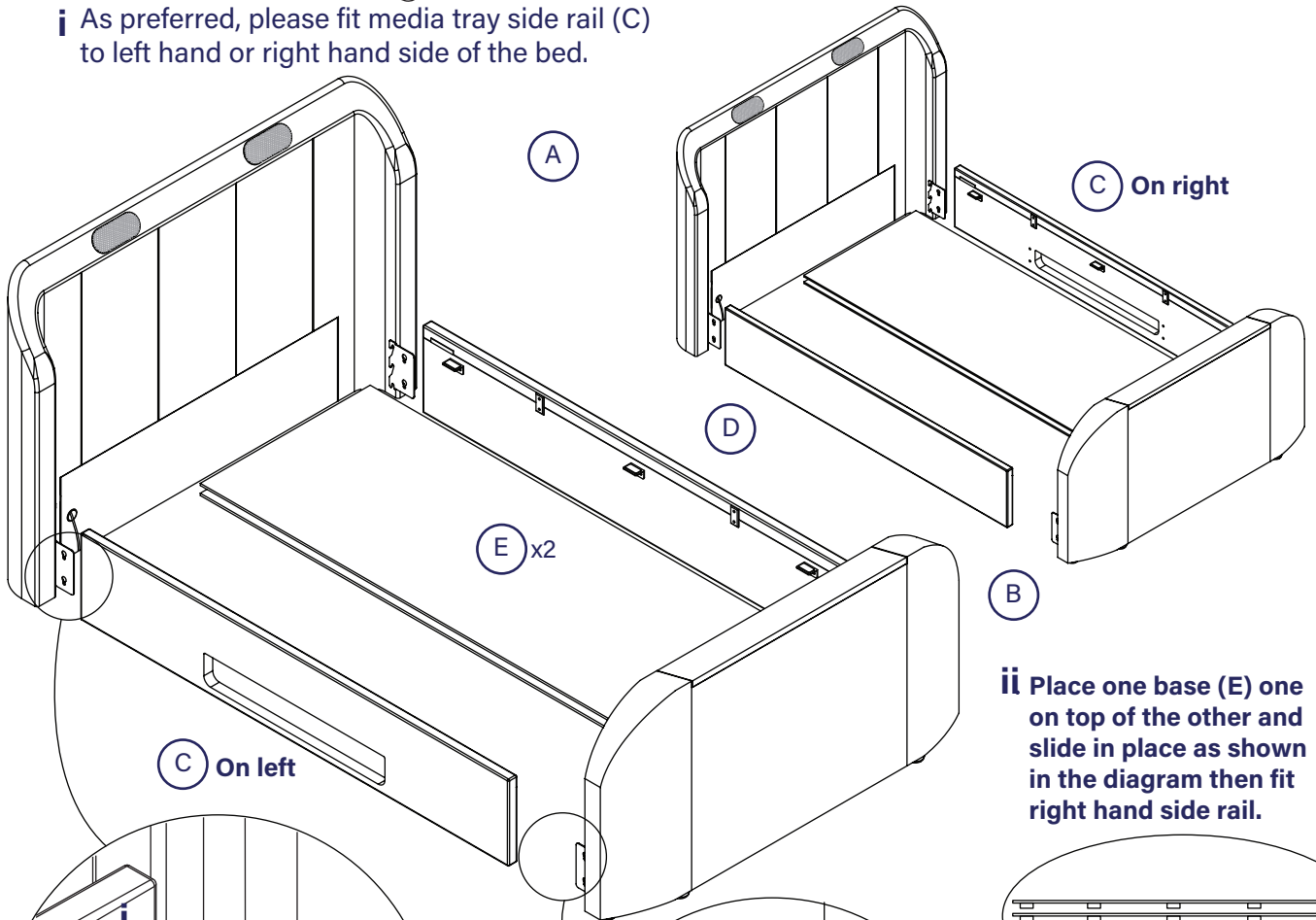
Align with red labels



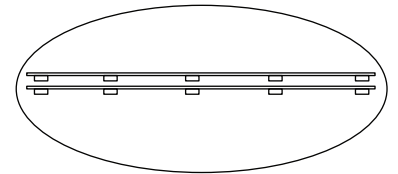
3 Fitting side rails and placing base boards inside the storage area, ready to put in place.



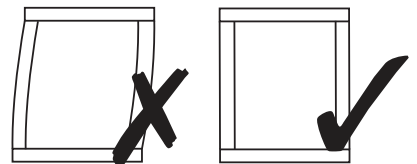
i As preferred, please fit media tray side rail (C) to left hand or right hand side of the bed.



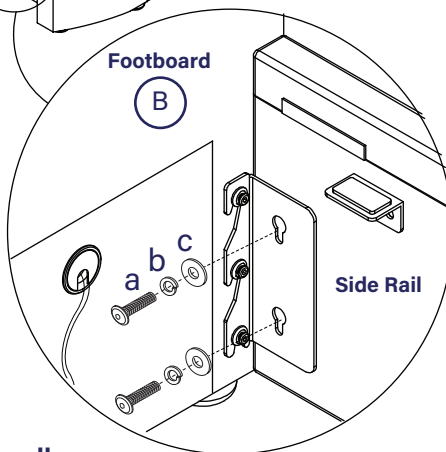
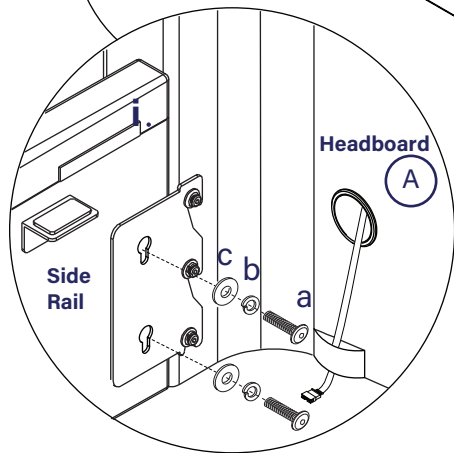
ii Place one base (E) one on top of the other and slide in place as shown in the diagram then fit right hand side rail.



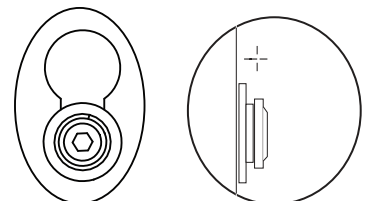
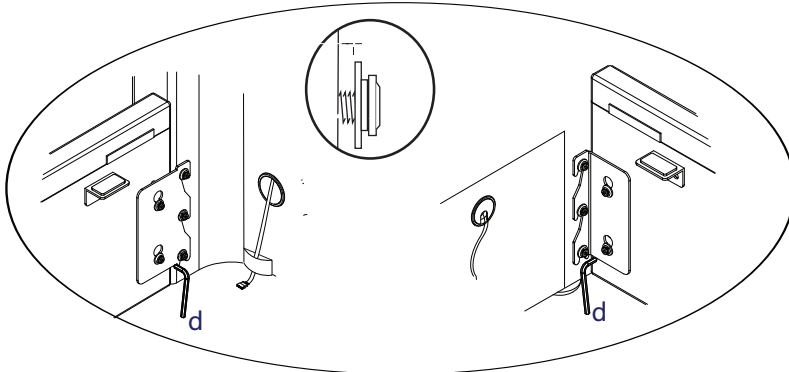
iii Make sure the bed is squared up as shown.



Assemble then tighten all bolts 90% using Allen key (d)

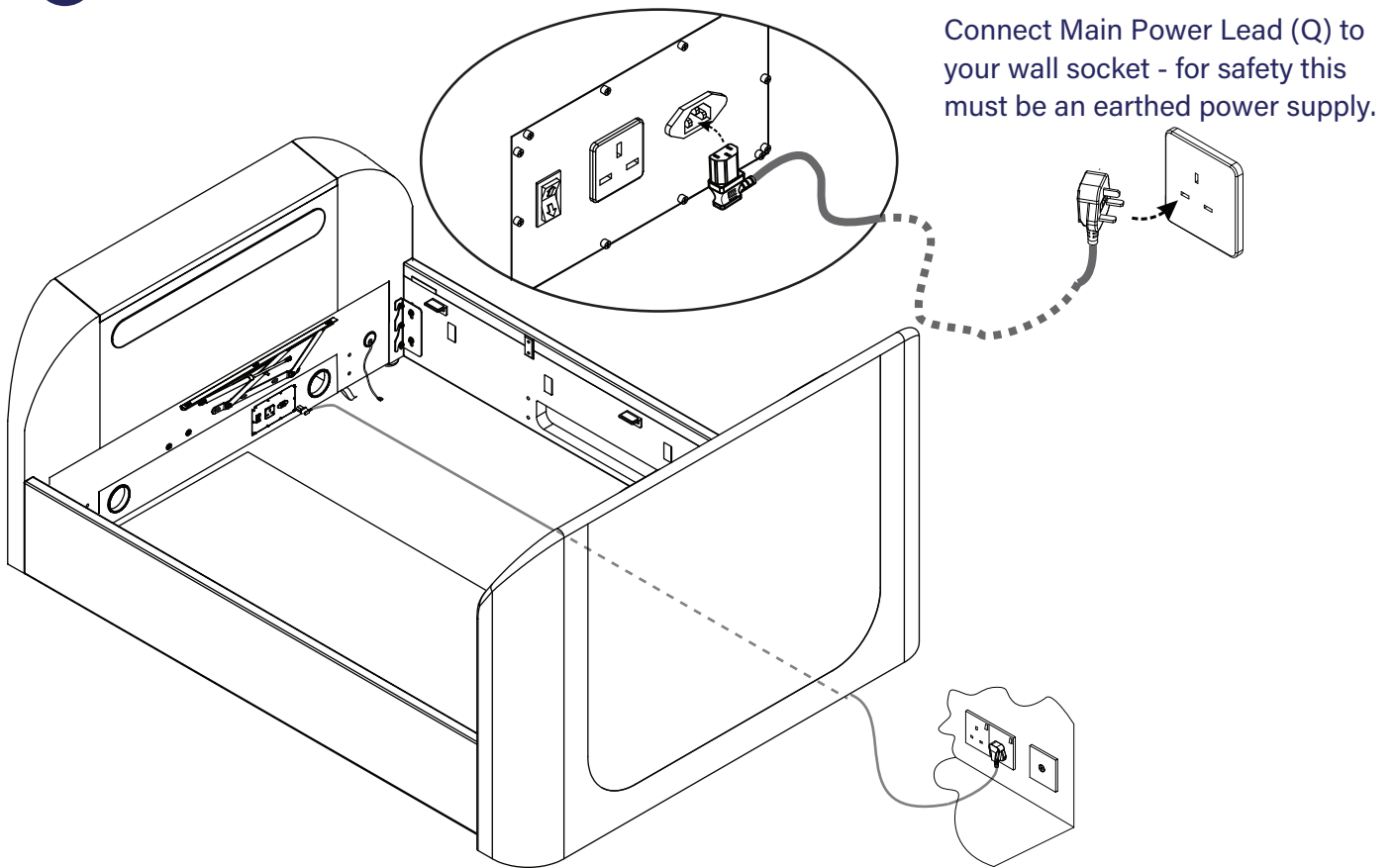


iv Check the side rail bracket is sitting down in the keyhole slot then tighten all bolts 100%.

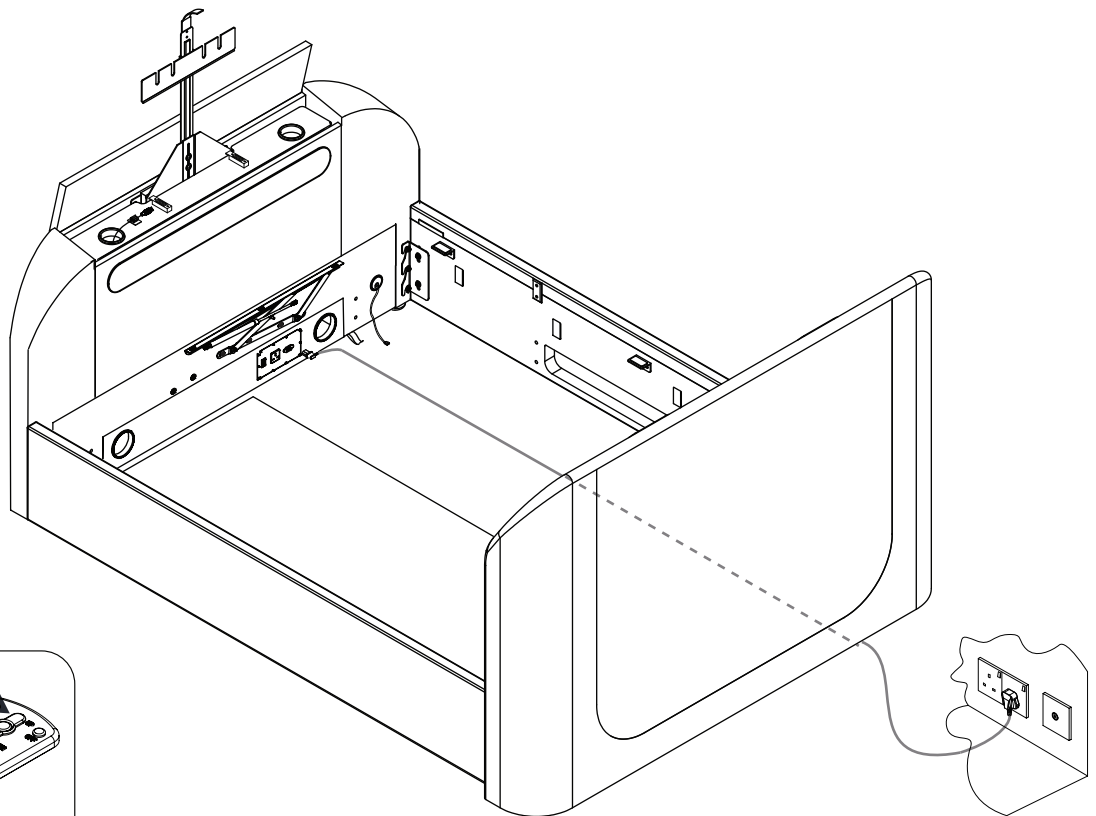


Electrical & cable connections

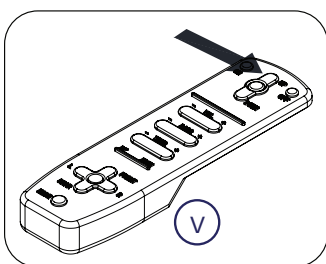
4 Connect mains power supply.



5



Raise the TV lift



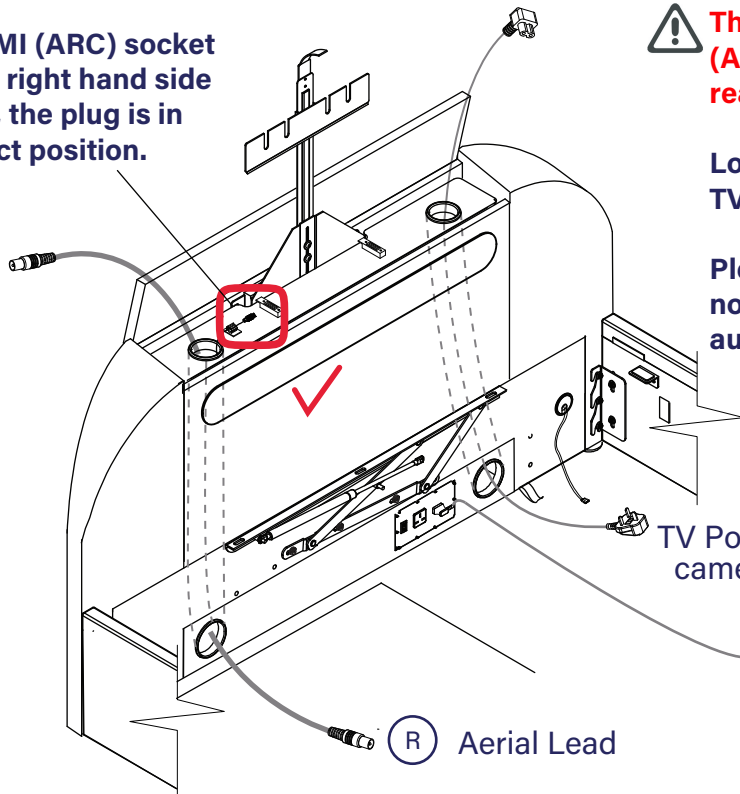
Press the "UP" button to raise the TV lift.


Note: For illustration purposes only, TV connections may vary.

Tip:

- 6** Before fitting the TV, push cables through each duct from the top choosing the best side to use depending on where the connection ports are on back of your TV. Never cross cables from one side to the other unless as shown in the instruction below, in this step.

i
If the HDMI (ARC) socket is on rear right hand side of the TV, the plug is in the correct position.



ii
 **This plug shown in the red box is the HDMI (ARC) audio connection coming from the real 5.1 DTS Surround Sound amplifier.**

Locate the ARC socket on the side of the TV and connect only this HDMI plug to it.

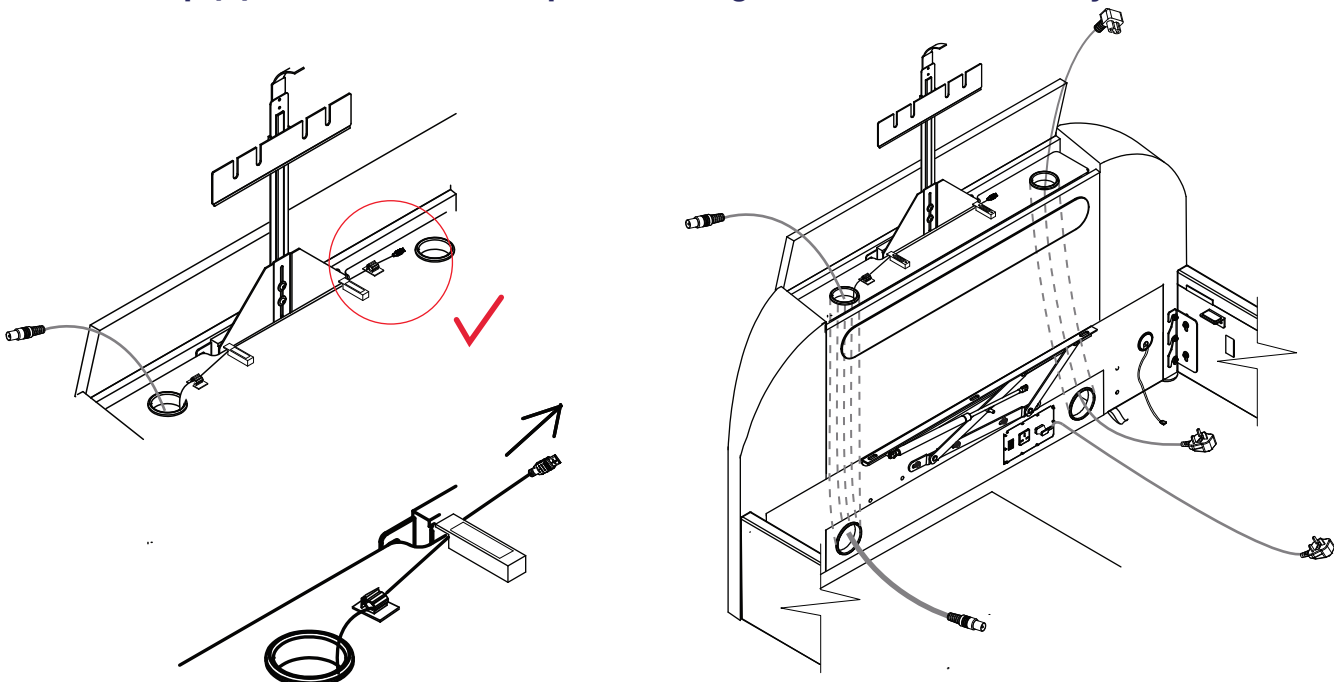
Please **DO NOT** connect this plug to any normal HDMI sockets on the TV or the audio system shall not work properly.

TV Power Lead that came with the TV

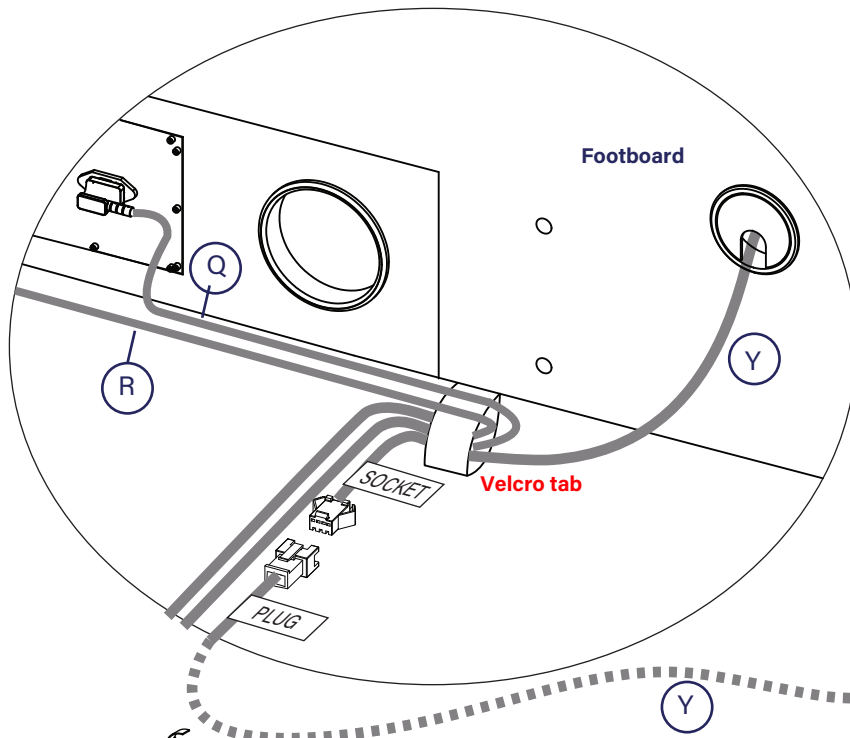
Q Mains power lead

R Aerial Lead

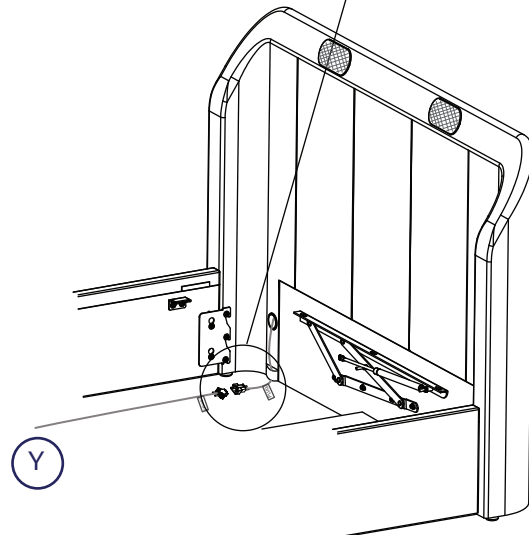
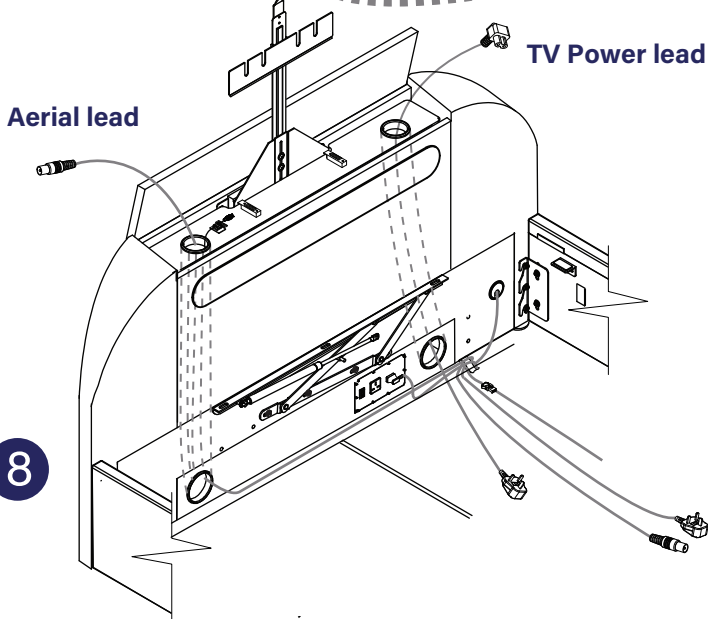
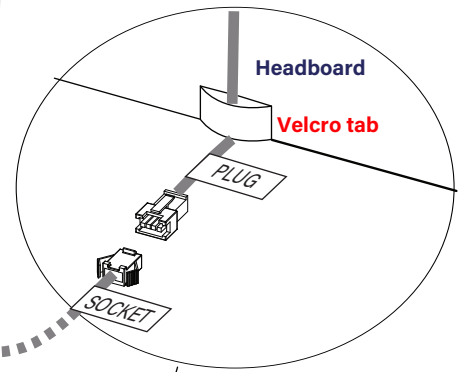
iii
If the TV is ever re-placed with a different model and the HDMI (ARC) socket is on the opposite rear left hand side of the TV, simply draw the loose cable out of the port and lay across the TV Lift cover board as shown. Use cable clip (T) on each side to keep cable straight and out of harms way.



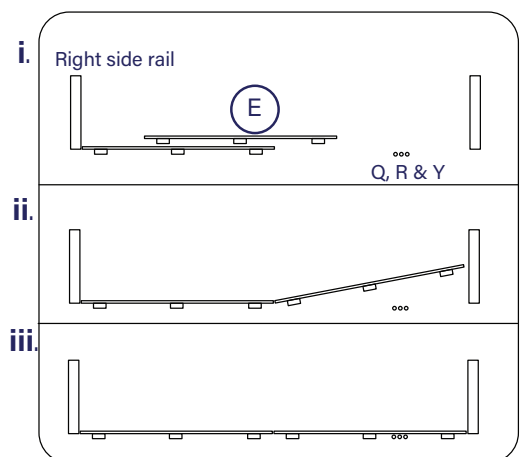
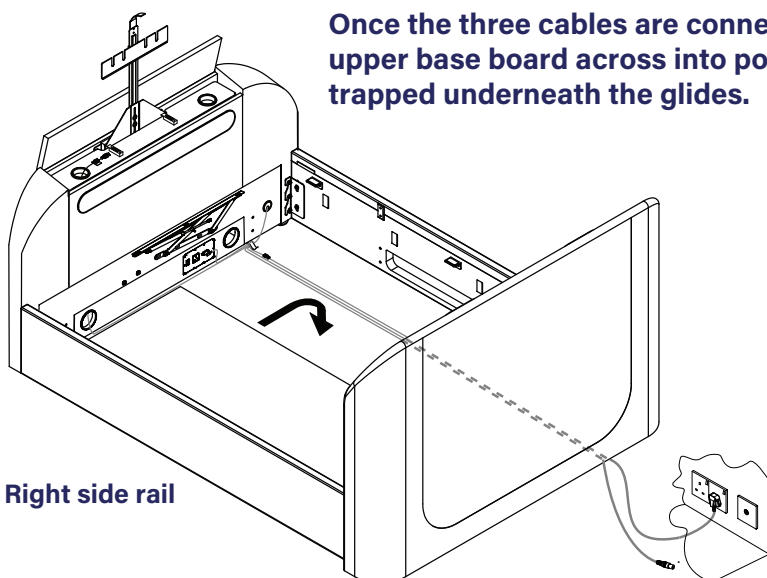
7 Cable routing - note the three cables must run straight across from footboard to headboard in a straight line, from velcro tab to velcro tab.



On the speaker connection cable (Y) connect plugs and sockets together, these are clearly labeled.

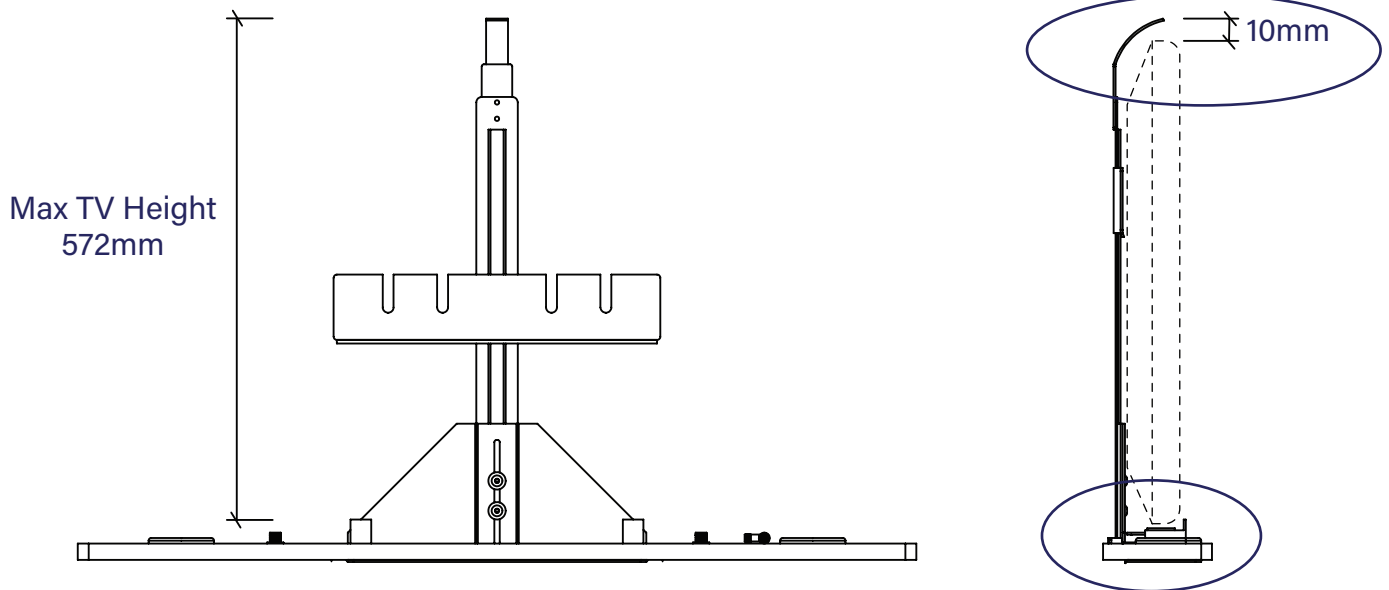


Once the three cables are connected and lined up end to end, slide the upper base board across into position making sure the cables are not trapped underneath the glides.



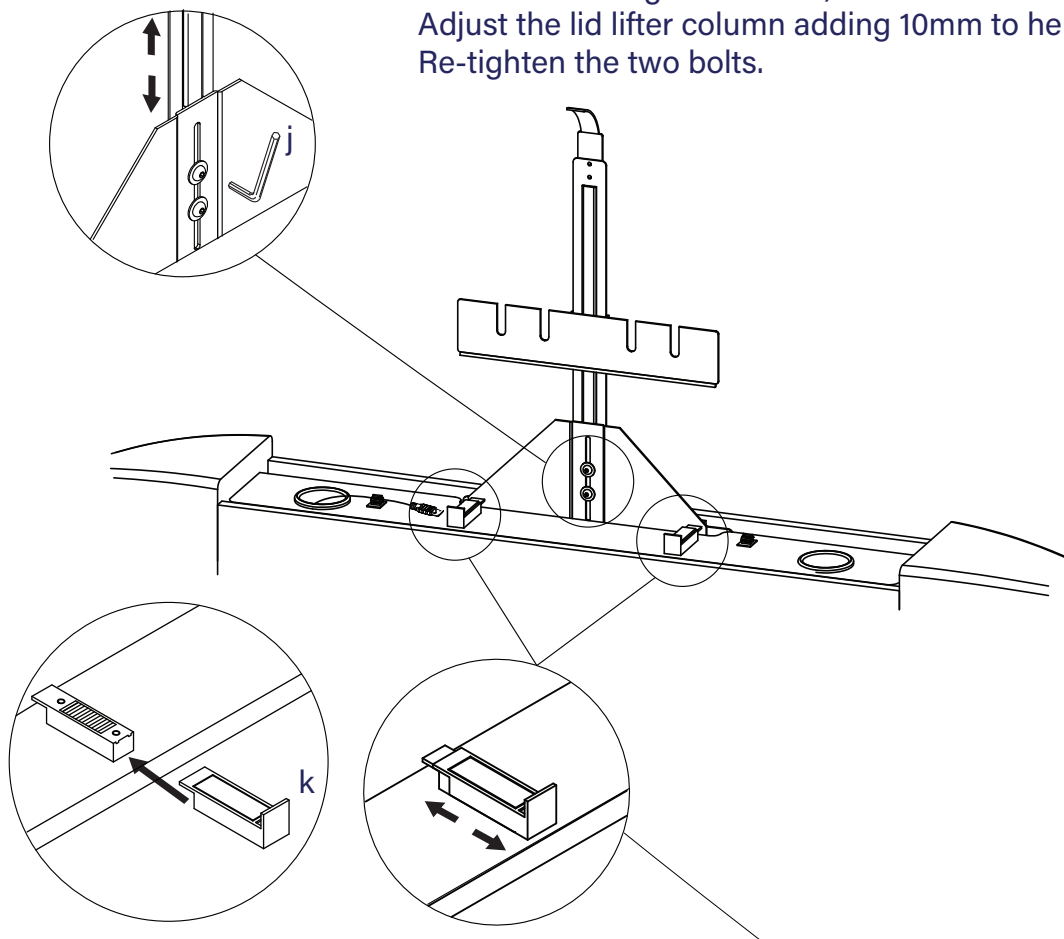
9

Height of TV is normally pre-set - follow this guide if it needs to be changed.



i. Loosen the two bolts.

Measure the height of the TV,
Adjust the lid lifter column adding 10mm to height of TV.
Re-tighten the two bolts.



ii. The upper part of each support slides to hold front of TV in place.

Draw the upper slides outwards.

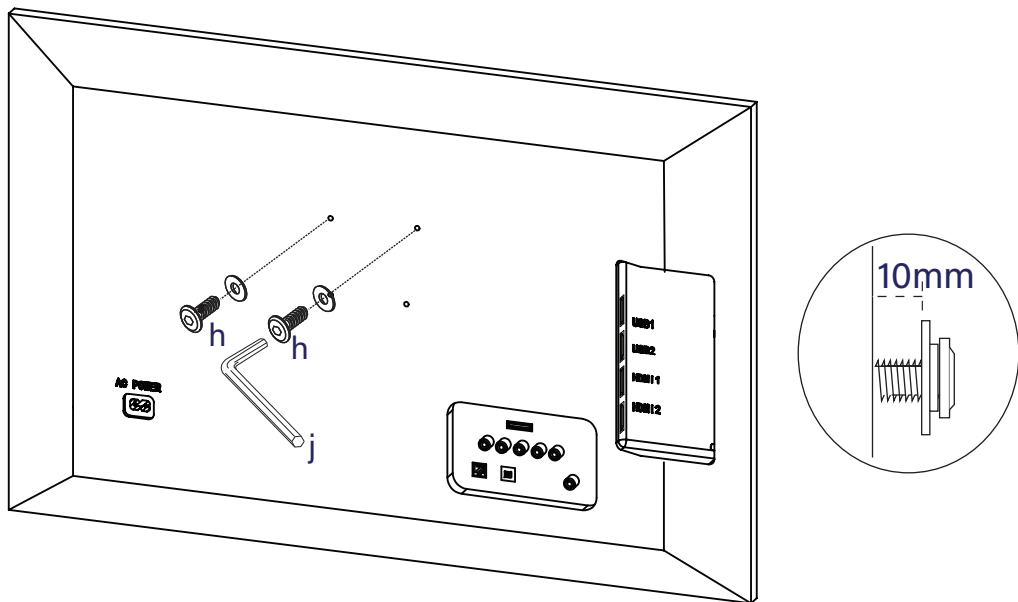
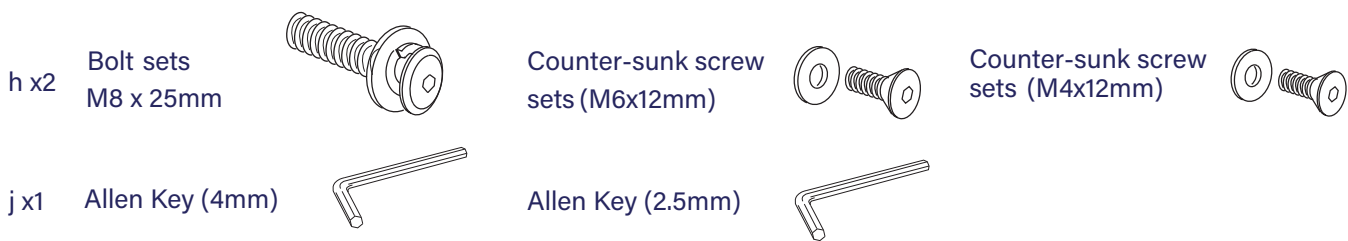
Place TV in position up against the column and loosely bolt TV in place.

Lift TV slightly taking the weight off the slide, move upper support so lip is close to front bezel of the TV.

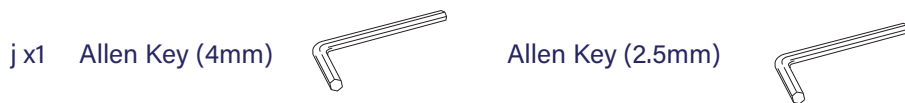
Tighten the TV Vesa fixing bolts.

10

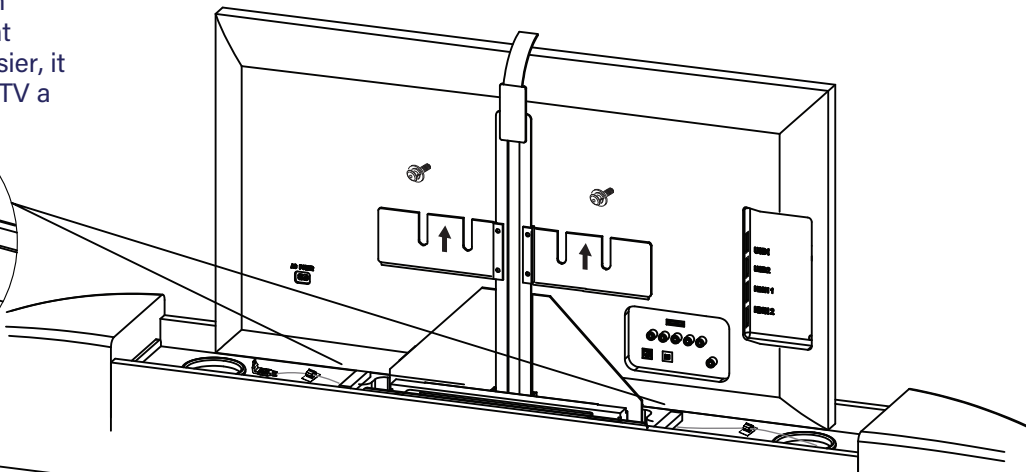
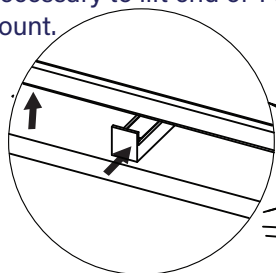
IF SCREWS ARE SUPPLIED WITH TV, PLEASE USE THOSE IN PREFERENCE



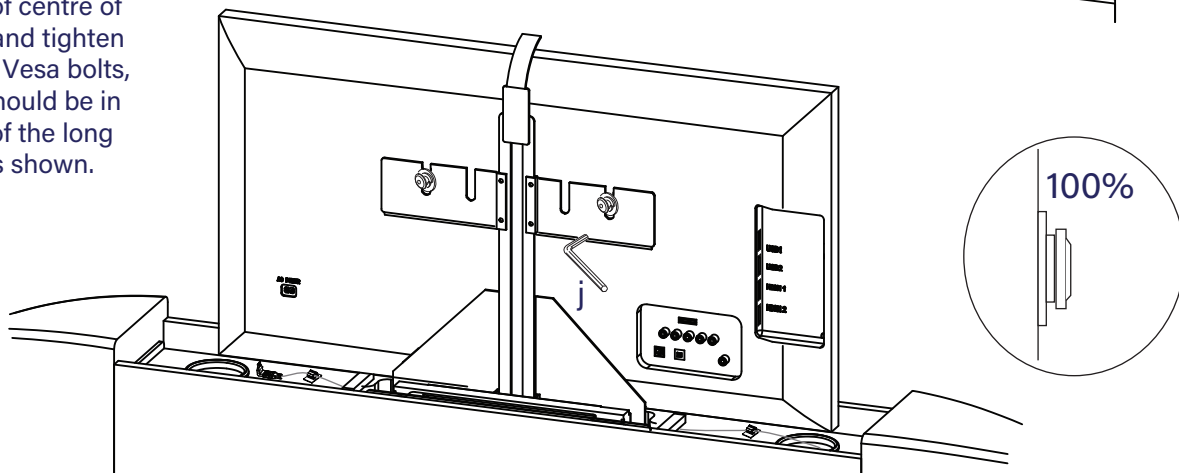
11



- i Put TV in place and adjust each support slider to just touch front bezel of TV. To make sliding easier, it may be necessary to lift end of TV a small amount.



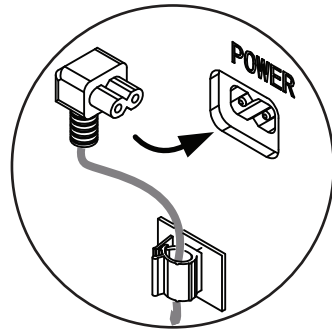
- ii. Lightly push down on top of centre of the TV and tighten the two Vesa bolts, these should be in centre of the long holes as shown.



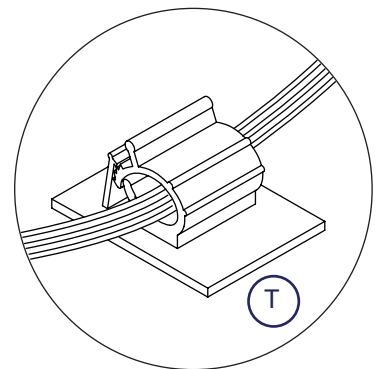
Note: For illustration purposes only, TV connections may vary.

12

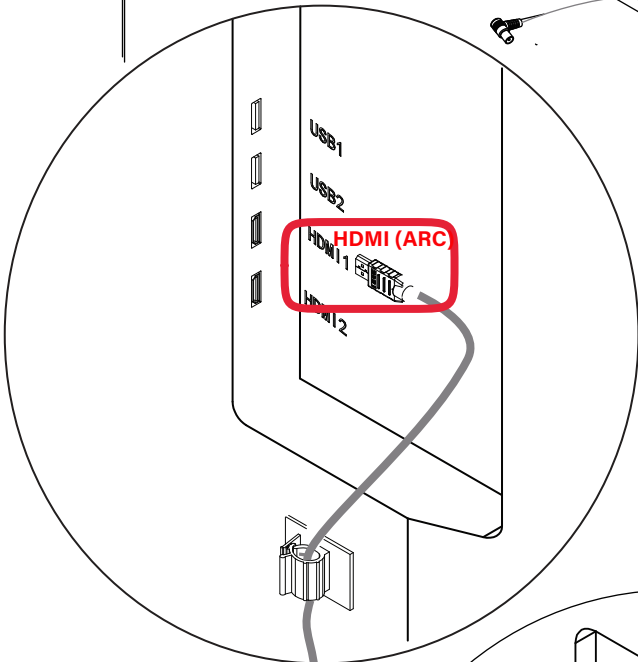
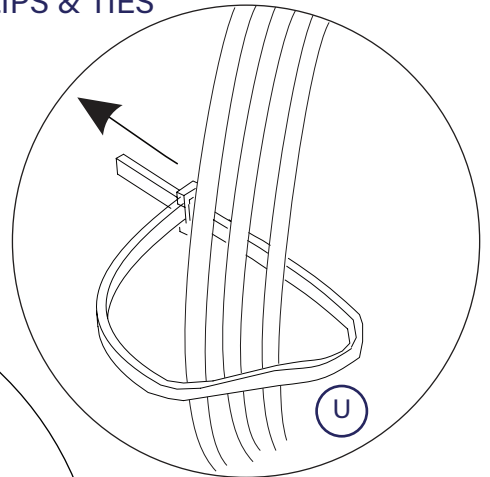
TV Power Lead
supplied with your TV



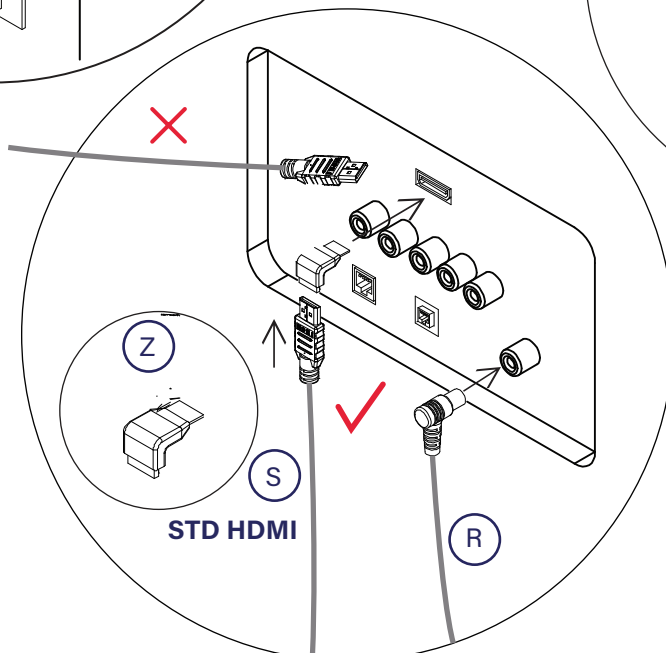
Keep wires tight - peel off
cover from cable clips &
adhere to back of TV.



PLUG IN - KEEP ALL CABLES
TIGHT - USE CLIPS & TIES
PROVIDED.



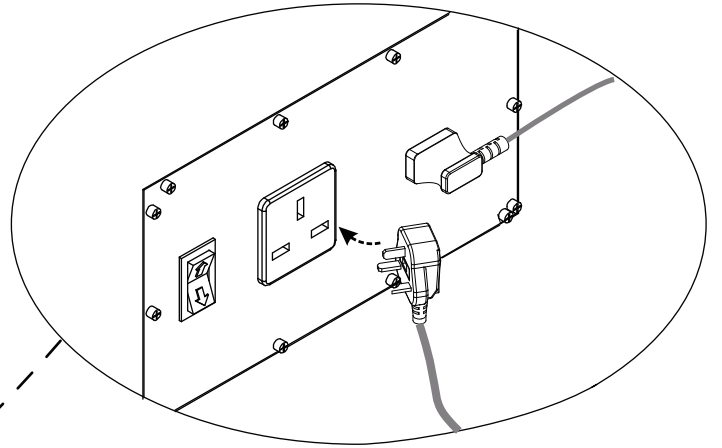
IF HDMI IS ON
REAR OF THE TV,
THE ADAPTER (Z)
MUST BE USED



13

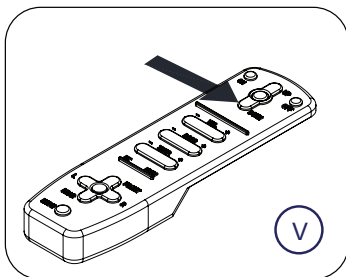
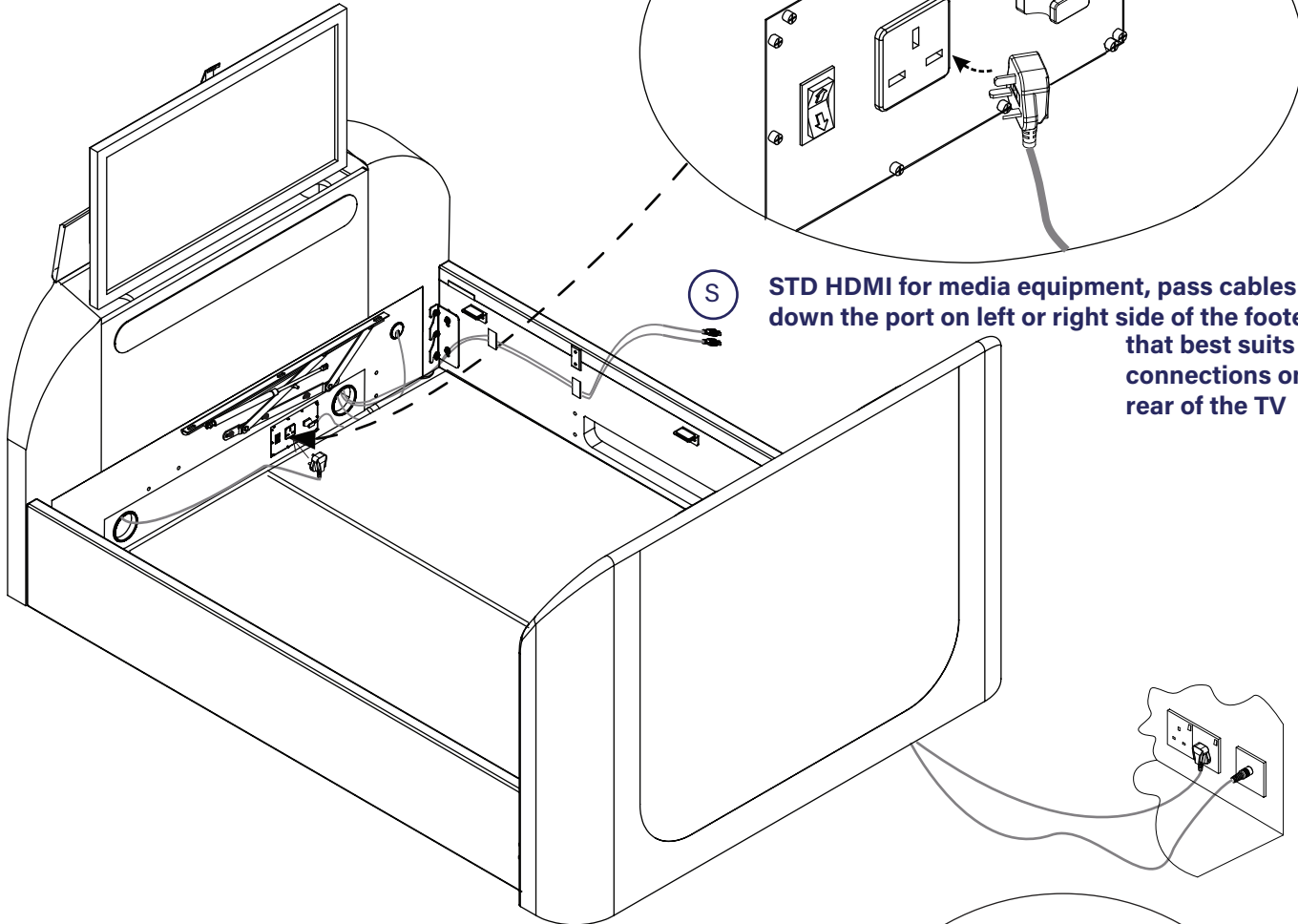
TV Power Socket.

To prevent overheating the power supply to this socket is not continuous so it can only be used successfully for the TV.

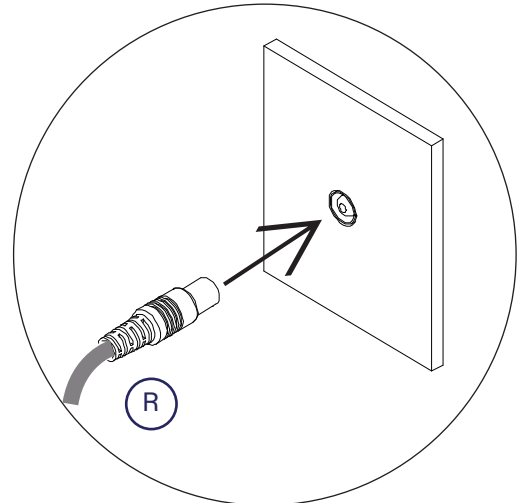


S

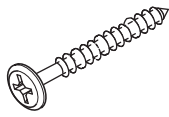
STD HDMI for media equipment, pass cables down the port on left or right side of the footend that best suits the connections on the rear of the TV

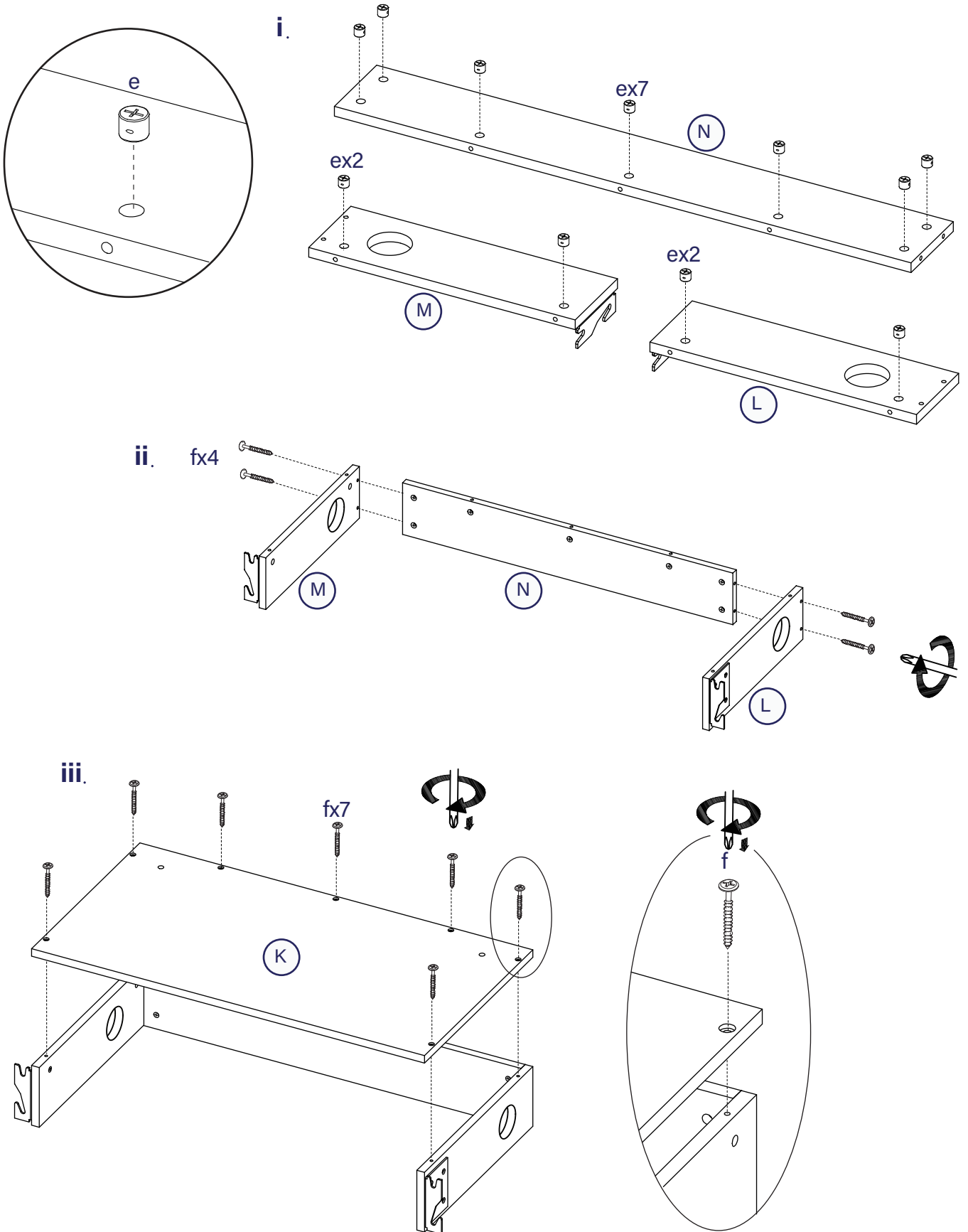


Press the "DOWN" button to lower the TV lift.



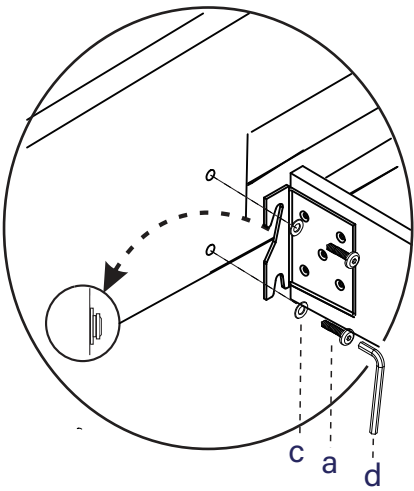
14 Media tray assembly

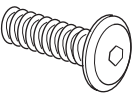


- e  x11
- f  x11

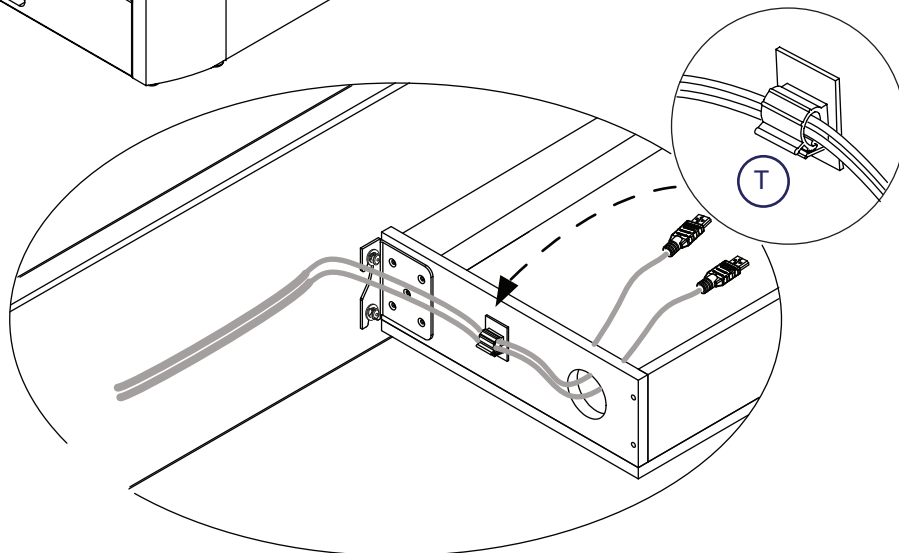
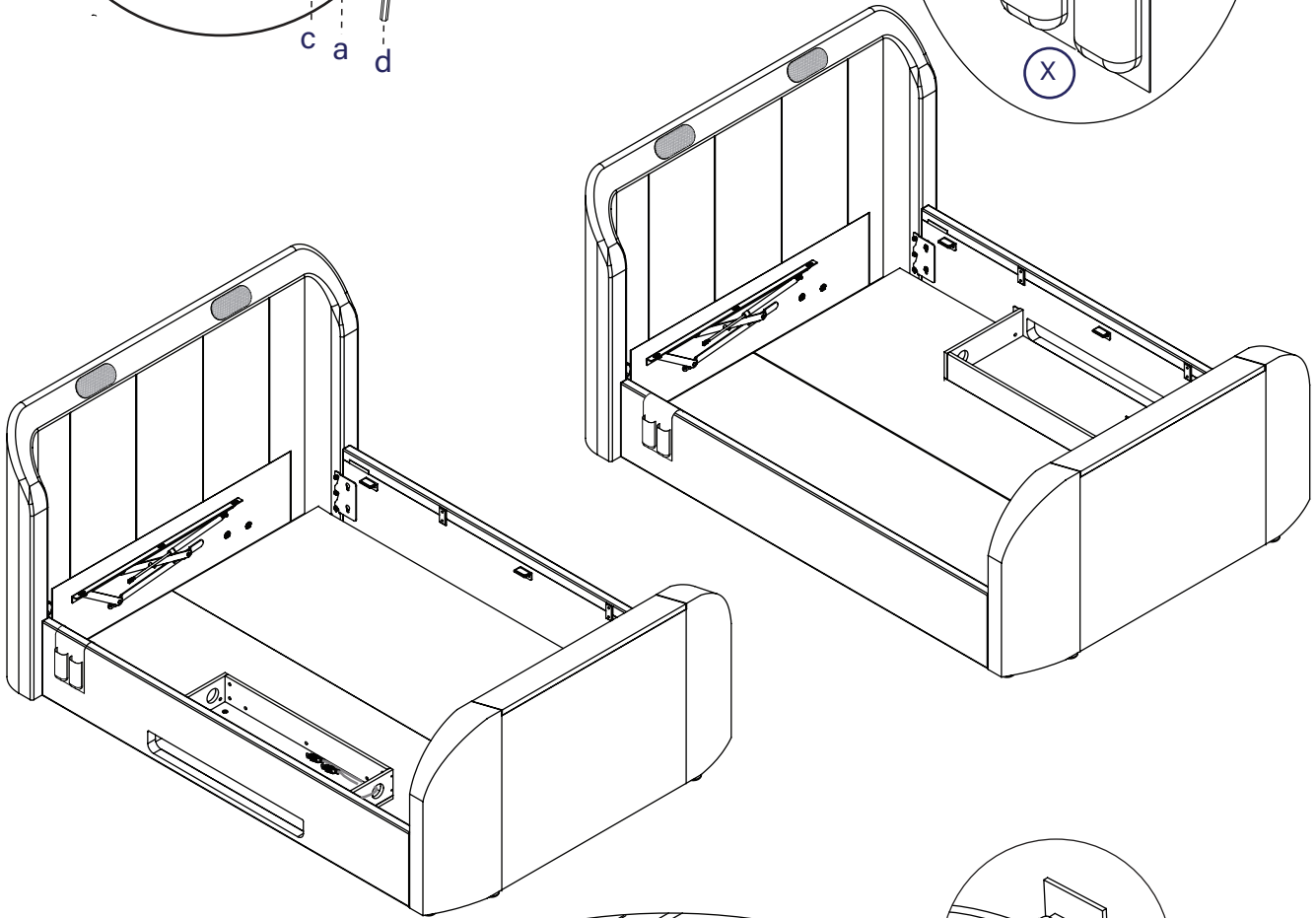
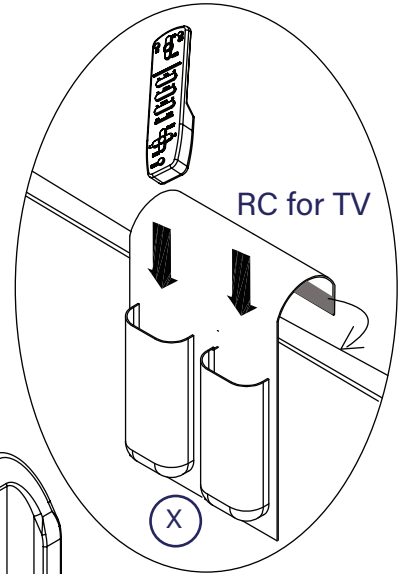


15 Install the media tray to side rail (C).

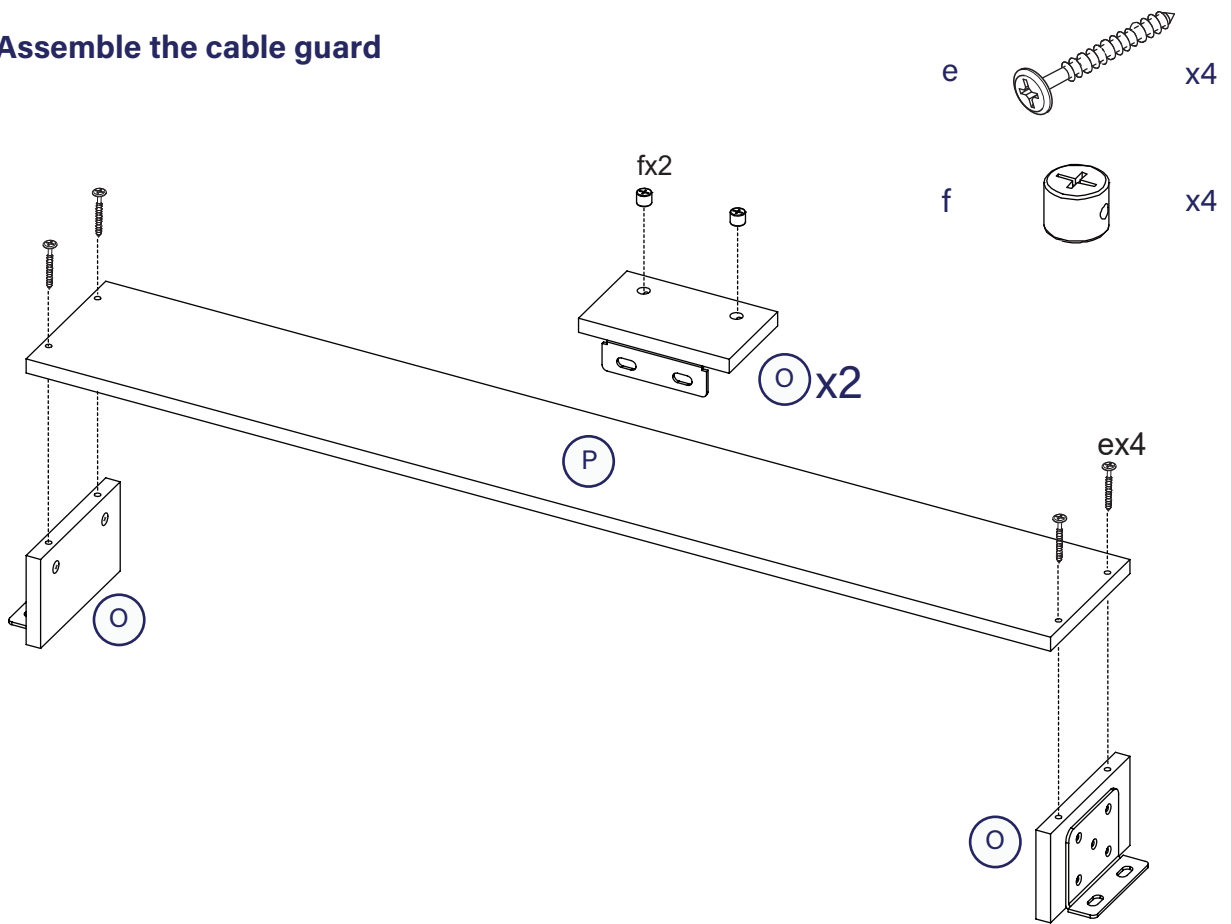
Fit remote control holster to left or right



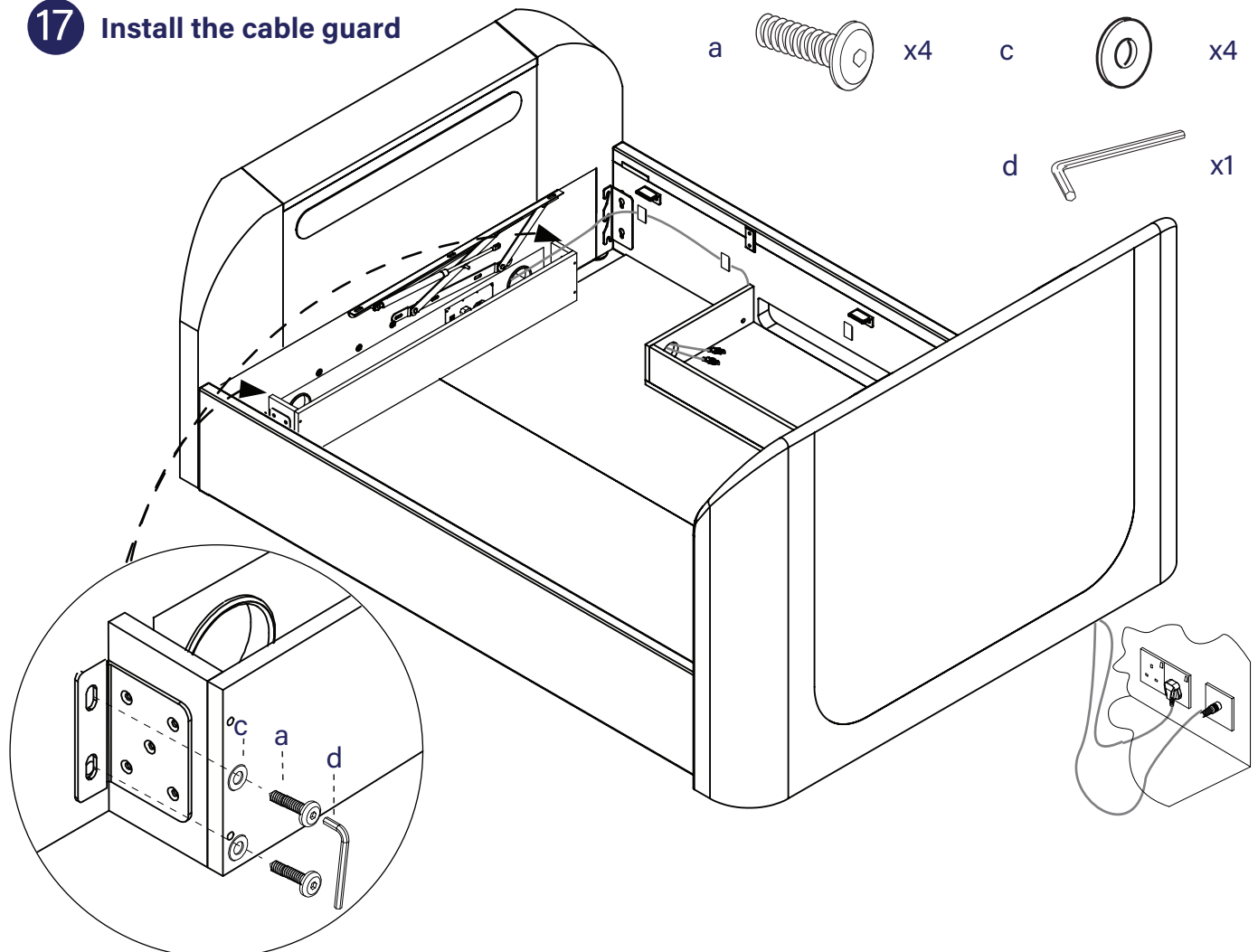
- a  x4
- c  x4
- d  x1



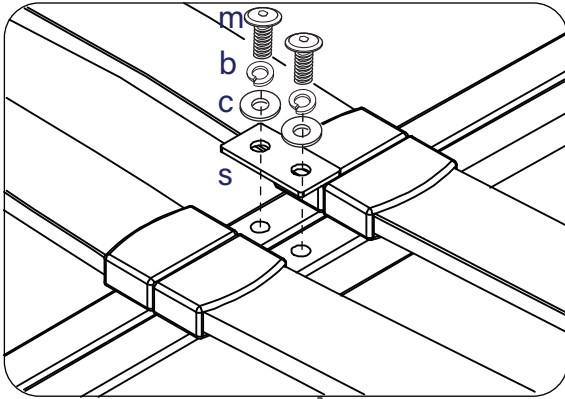
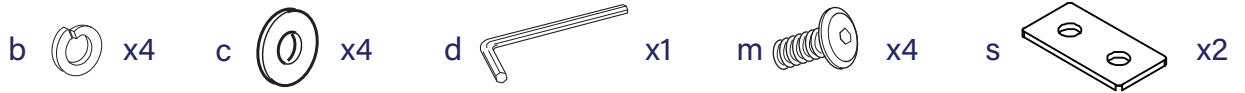
16 Assemble the cable guard



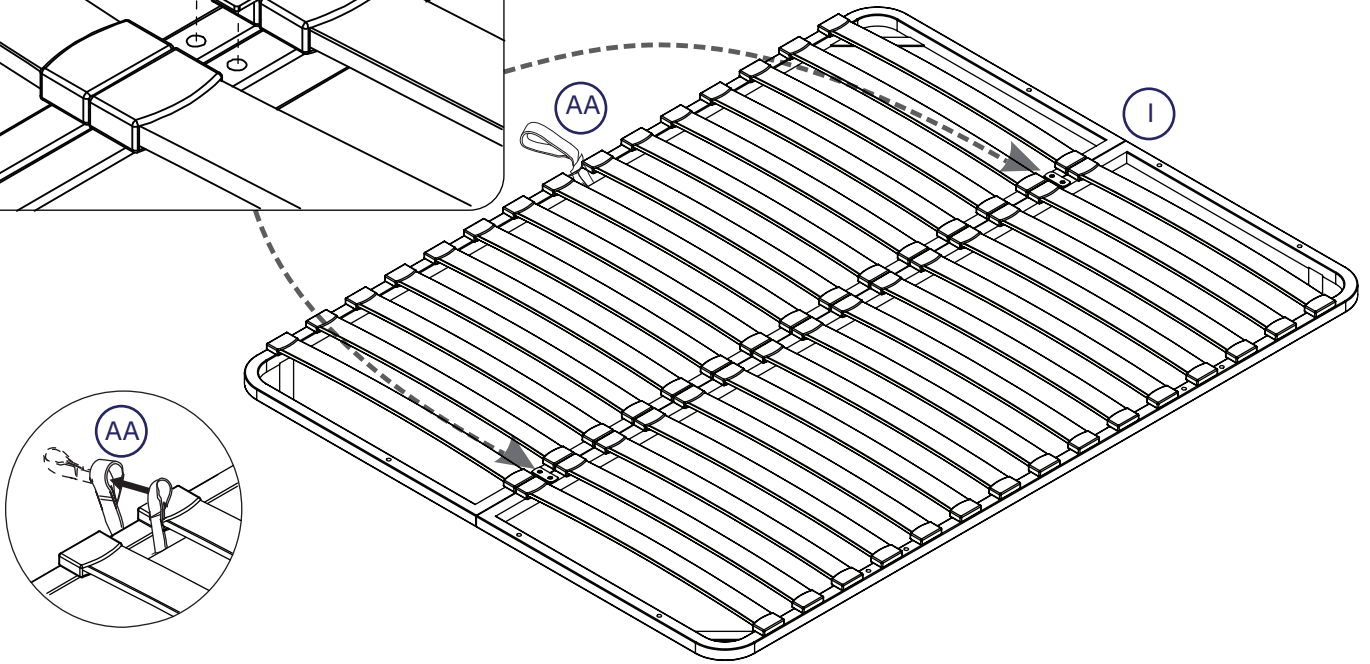
17 Install the cable guard



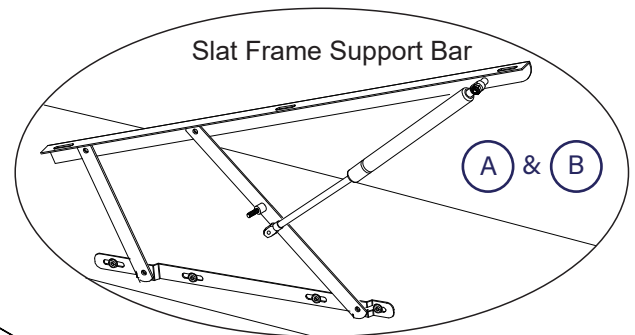
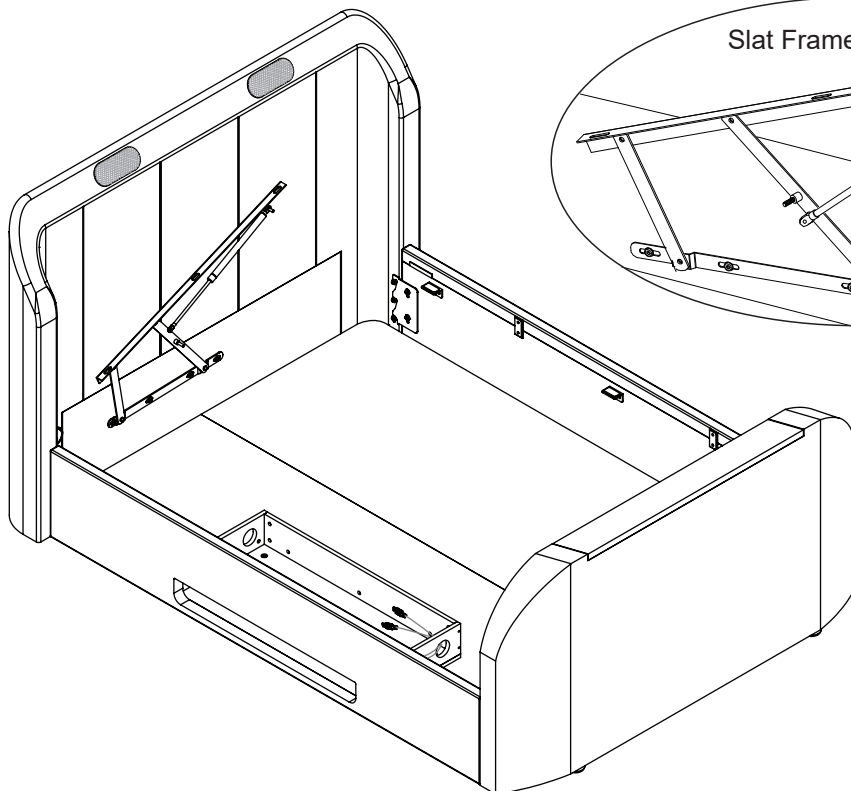
18 Assemble the slat frame



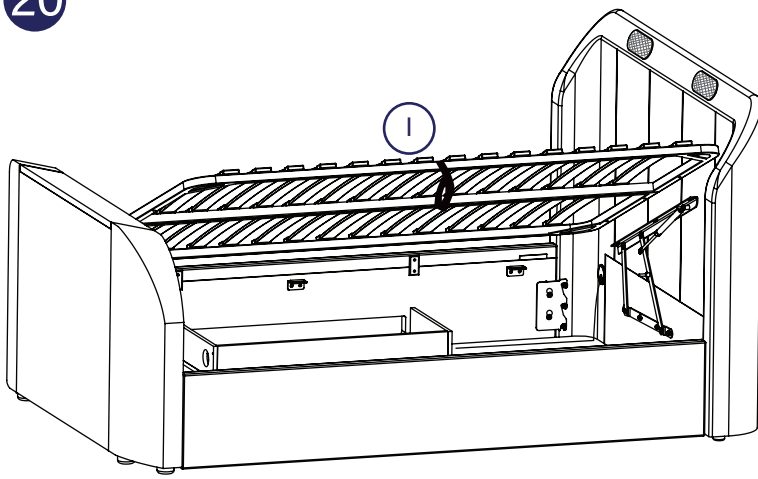
Using four sets of bolts (m), spring washer (b) & flat washers (c) fit the metal connection plates (s) into threaded inserts on top of the frame. Use Allen key (d) to tighten all four bolts 100%.
Fit the fabric hand strap as shown.



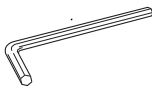
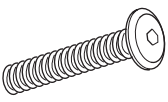




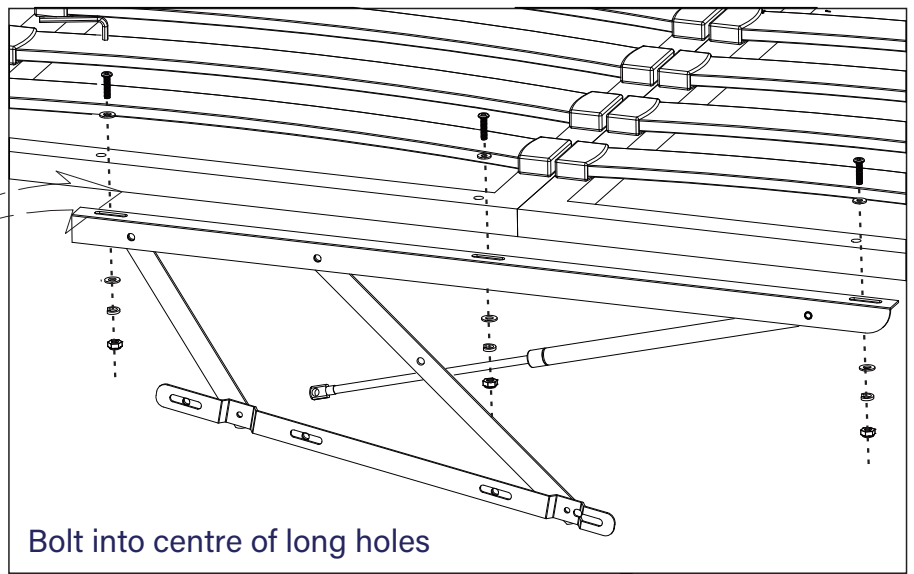
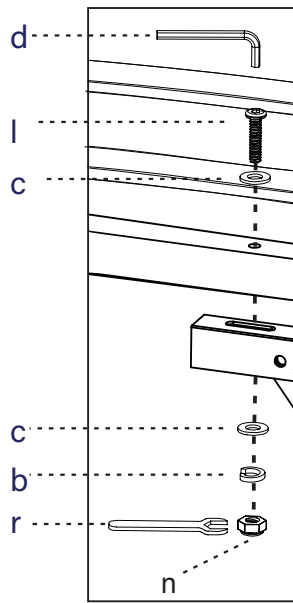
19



20



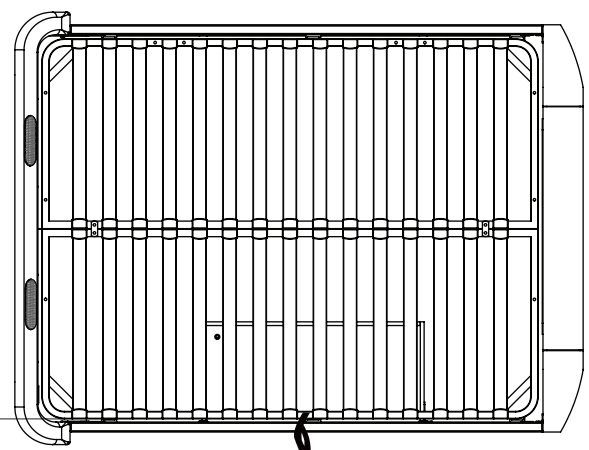
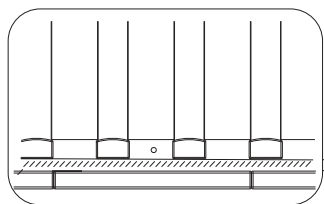
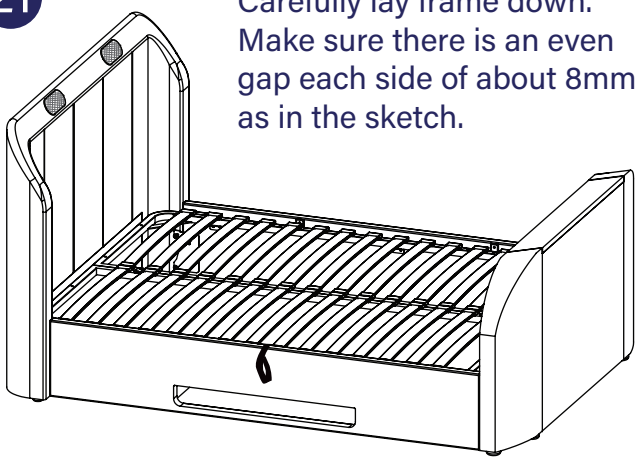
- b  x6
- c  x12
- d  x1
- l  x6
- n  x6
- r  x1



21

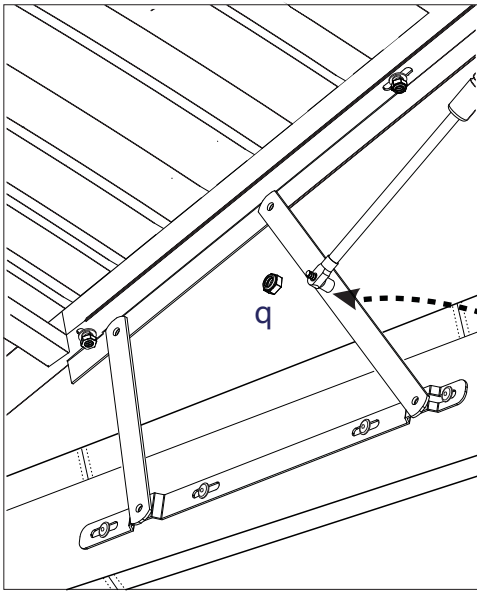
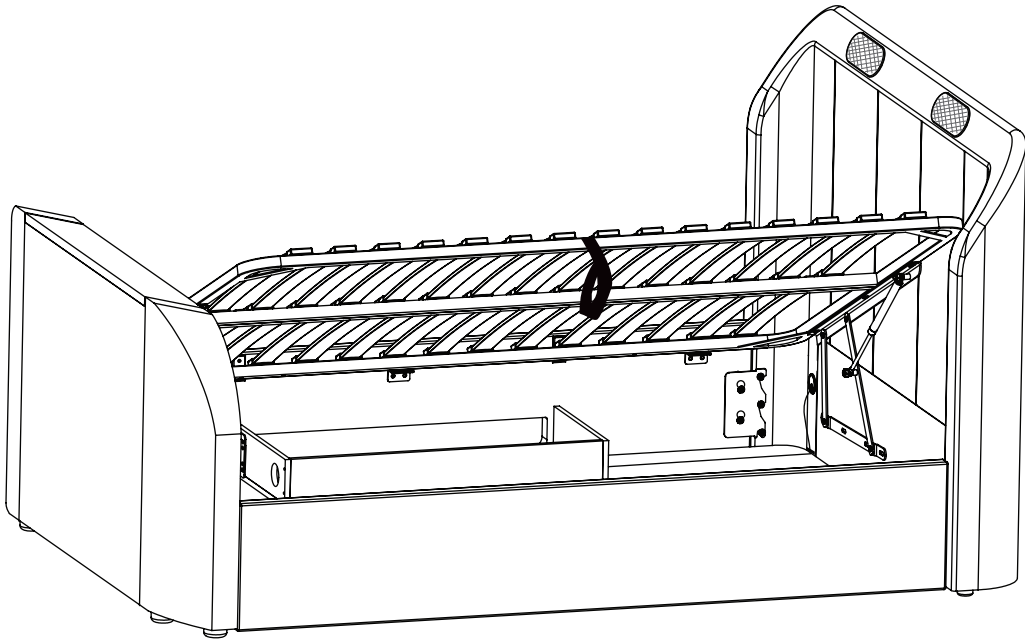
Carefully lay frame down. Make sure there is an even gap each side of about 8mm, as in the sketch.

- d  x1
- r  x1

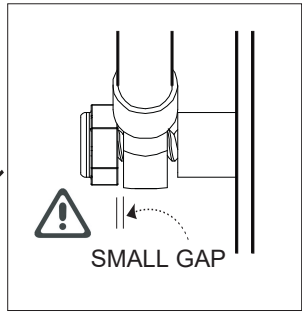
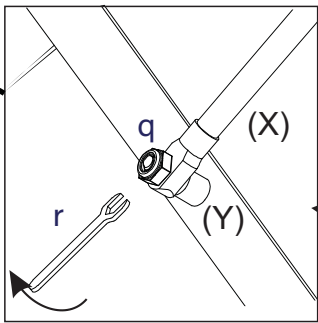


Hold frame then tighten all six bolt sets 100% using spanner (r) & Allen key (d).

q  x2 r  x1

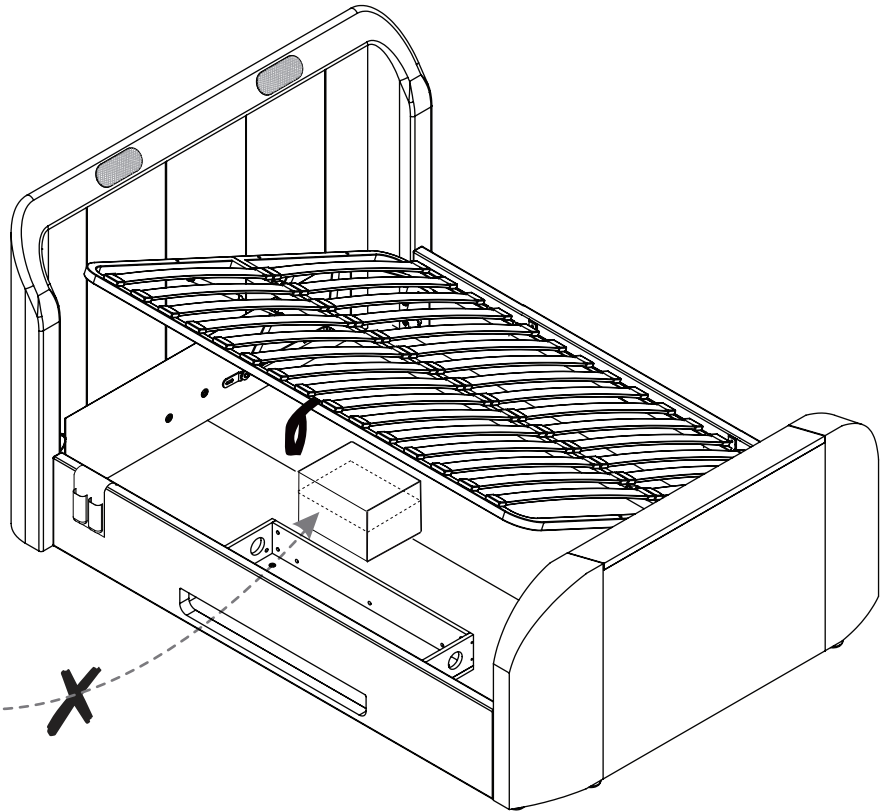


During this next step, the assistant should hold up the slat frame.
 On side rails (C & D) slide gas-lift piston stems (X) onto the axles (Y) then fit the flange lock-nuts (q).



Tighten nuts with spanner (r) - but **DO NOT** over-tighten, a small gap needs to be left so stems can move freely - this is important - see sketch above.

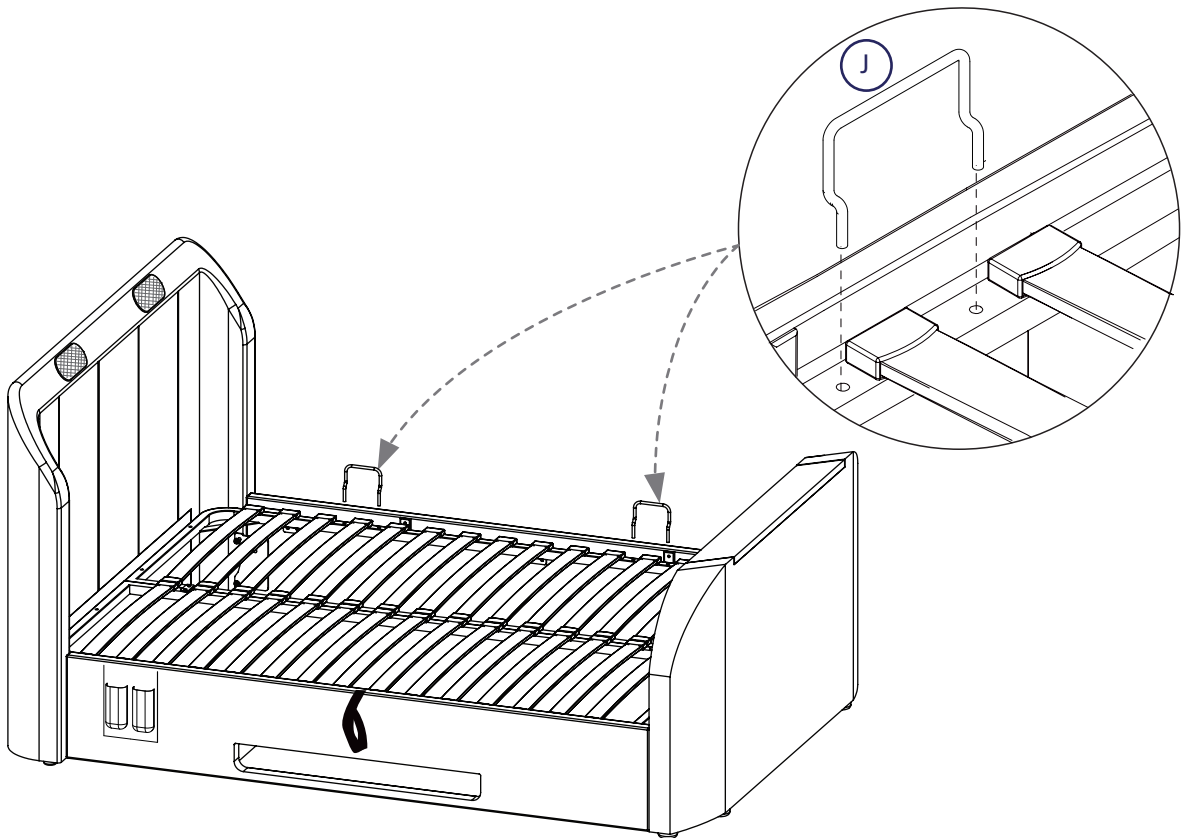
23



Note: Be very careful what you store under the bed - the top of an item, like a suitcase or a box, must not touch the slats or they shall be damaged. Maximum storage height is 260mm.

24

Fit the mattress stoppers

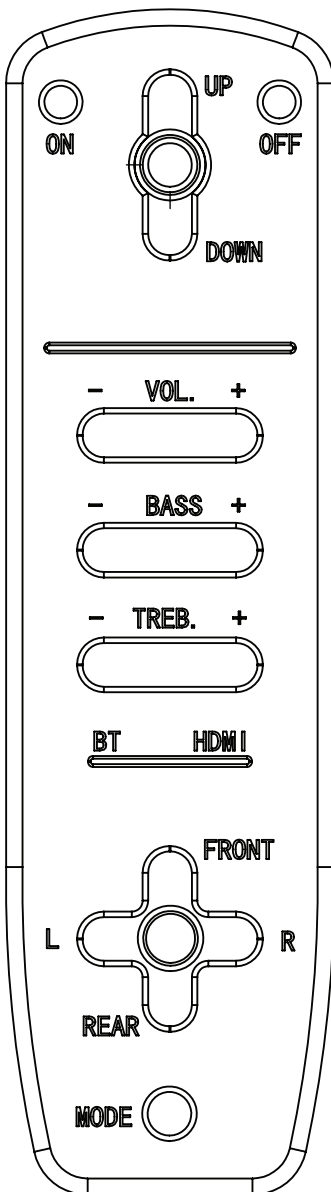


Sapporo 5.1 Audio System

OPERATION GUIDE

SAPPORO 5.1 SURROUND SOUND SYSTEM

REMOTE CONTROL (V)

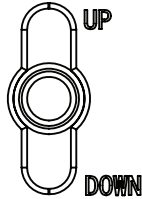


TURN AMPLIFIER ON or OFF.



- 1) Turn on the mains power to the TV Bed.
- 2) Press the Remote Control (RC) ON button for 2 seconds to synchronise and prepare the system, system voice shall say 'Power On'.
- 3) When finished press the OFF button for 2 seconds.

LIFT or LOWER THE TV.



Press once and TV will rise to it's upper working position. Power to the TV will be connected automatically - operate the TV using it's Operation Guide.

Press once and TV Lift will stop.

Press once and TV will go down - as soon as the lower resting position is reached power to the TV is switched off to prevent it overheating.

NOTE: BLUETOOTH WILL WORK NORMALLY WHEN TV IS UP OR DOWN.



The same blue LED light bar is used to show steps for all the following controls: **VOLUME, BASS & TREBLE.**

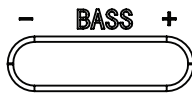
VOLUME CONTROL



Use --- + or - --- button to increase or decrease the volume.

Note that this control operates step by step and as it is adjusted, the blue LED light bar follows each step until full volume is reached, then the blue lights are all on.

BASS CONTROL



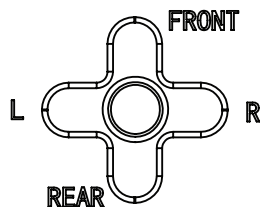
Adjust the Bass attenuation - these buttons increase or decrease the lower frequencies of the sound.

TREBLE CONTROL



Adjust the Treble attenuation - these buttons increase or decrease the higher frequencies of the sound until the preferred sound level is achieved.

Note: if higher frequency sound is reduced, the volume of the sound appears to be reduced too - this is normal.



Overall Dimensions (LWH mm)

Double: 2265 x 1575 x 1240
King: 2415 x 1725 x 1240

Internal Dimensions (LWH mm)

Double: 1930 x 1380 x 260 King:
2030 x 1530 x 260

Media Tray Dimensions, (WDH mm)

885 x 398 x 132

Distance between slats

Double & King: 70mm

Ottoman Piston Rating

Double & King: 750 N

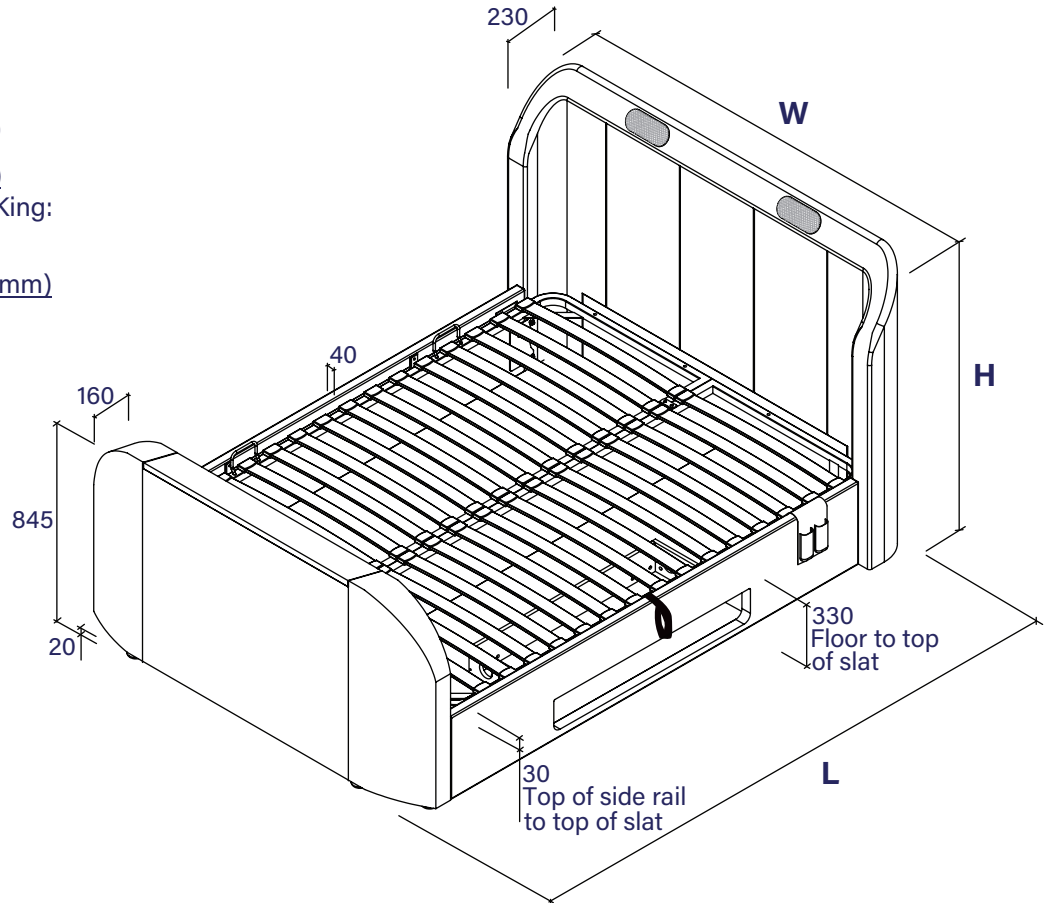
Slat Dimensions (LWH mm)

Double: 670 x 53 x 9

King: 745 x 53 x 9

Music Power

5x30W + 60W Sub Woofer



Care and maintenance

Here are some tips to keep your new bed in tip-top condition



Cleaning

To clean your new bed, we'd advise using a warm damp cloth or if fabric, remove dust using a low suction vacuum cleaner. Please do not use abrasive chemicals or bleach as this may damage the product.



Checking and moving

Periodically we recommend you check that the screws or fixtures haven't become loose over time. To move your new bed, we recommend lifting it where possible, as dragging or pushing it could cause damage to the legs or flooring.



Wood

Please note each of our wooden pieces are unique, meaning that markings and shade can vary slightly between beds. Over a period of time, the wood might lighten or fade slightly due to light exposure.



Fabric

Please note depending on the lighting, positioning and surroundings of your room, the shade of the colour can sometimes appear slightly different. Over a period of time, the colour might lighten or fade slightly due to light exposure.



Metal

Metal tends to be more resilient to everyday wear and tear. We recommend to gently dust your metal furniture and keep it dry to maintain its look.

Thank you for shopping with us - we hope you have a great night's sleep.

Sleep well

TV BED SAFETY INFORMATION

GENERAL INFORMATION

It is very important not to place any vessel containing liquids, e.g. drinks or vase of flowers, on top of the TV footboard which may accidentally spill and enter the TV compartment as this could cause damage to the TV and/or the TV lifting equipment. If this happens, please contact Customer Services - ring 0800 652 6750.

Do not expose the bed to an undue level of heat - keep away from radiators.

Never allow anyone to sit on the foot end of the bed - keep children well away from moving parts.

To keep the bed clean, we recommend that it be wiped over with a slightly dampened cloth or if fabric use a light vacuum cleaner; disconnect power before cleaning.

Supplied with the TV bed is a remote control to operate the TV Lift and when you fit your own TV there is a remote control to operate that as well.

Both these remotes use batteries, there are strict controls for disposal of batteries - your local council can advise on how to safely dispose of them. Never burn batteries on an open fire as they could explode.

IMPORTANT POWER INFORMATION

It is essential that the Mains Power Lead is connected to an earthed socket be it a wall socket or extension lead - otherwise there is risk of damage or even electric-shock.

The socket providing the power must be accessible at all times in case one needs to switch off the supply quickly.

During an electrical or lightning storm - disconnect the power completely as a precaution.

Always un-plug the power when going on holiday or when the bed is not used for an extended period.

If you have young children in the home always disconnect the power at the wall socket for extra safety.

Power outlets, extension leads or adapters must not be overloaded beyond their limit - this can result in fire or electric shock.

Cables or leads supplied with this bed, or other approved mains powered extension leads used to power your own equipment, must not be placed where they can be walked on - this is dangerous and could lead to accidents.

Do not interfere with or modify any cables already fitted and do not add any extra media leads unless they are routed through the ducts as shown.

All leads must be tightly connected to back of TV using cable clips provided, never hanging loose.

Never touch moving parts or any part of the equipment - if something needs to be checked, disconnect the power first.

Do not insert anything into the footboard as this could seriously damage the TV and/or the TV lifting equipment and could, if done carelessly, cause serious damage or injury.

If the equipment doesn't operate normally or if there is an unusual noise, disconnect the power.

TELEVISION INSTALLATION

Please follow the television installation instructions below.

Raise the TV Lift by pressing the Up button of the remote control.

Connect the Aerial & HDMI cable by passing down the appropriate duct.

Connect the TV to the mounting bracket as appropriate.

If necessary mounting bracket can easily be adjusted up or down to align with upper fixing holes on rear of TV.

Connect the TV Power Lead (supplied with the TV) by passing plug down one of the ducts, plugging it into an adapter if supplied, then into the TV power socket which is on the face of footboard. This socket is only to be used for the TV as for safety reasons, the power supply to it is not constant.

If required, connect your own media cables through either of the ducts - connect your media equipment when ready.

Please use the cable clips & cable ties to make certain there are no loose wires hanging loose that might get trapped.

The TV can now be operated following the TV Operation Guide supplied with your TV.

When finished viewing, lower the TV back into the footboard by pressing the Down button of the remote control, the TV will retract into the footboard automatically - power shall be turned off when TV reaches the rest position to prevent overheating.

When the Up button is pressed - the TV Lifting Column rises and power to the TV turns back on automatically.

TROUBLE SHOOTING

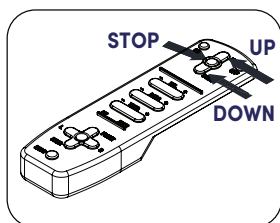
If your equipment does not operate please check all the power connections from wall to the socket in the footboard.

Make sure TV is switched on. (Note: TV will only work when it is in the up position).

If you cannot resolve an issue or still have a problem or need help, please contact Customer Services for advice.

IMPORTANT: Care should be taken when connecting electrical items. If you are in any doubt about the correct connections to your TV Bed, please consult an approved electrician.

Occasionally you may find the radio wave connection between remote control and TV Lift is lost, probably due to atmospheric conditions. In that case please follow these simple instructions:

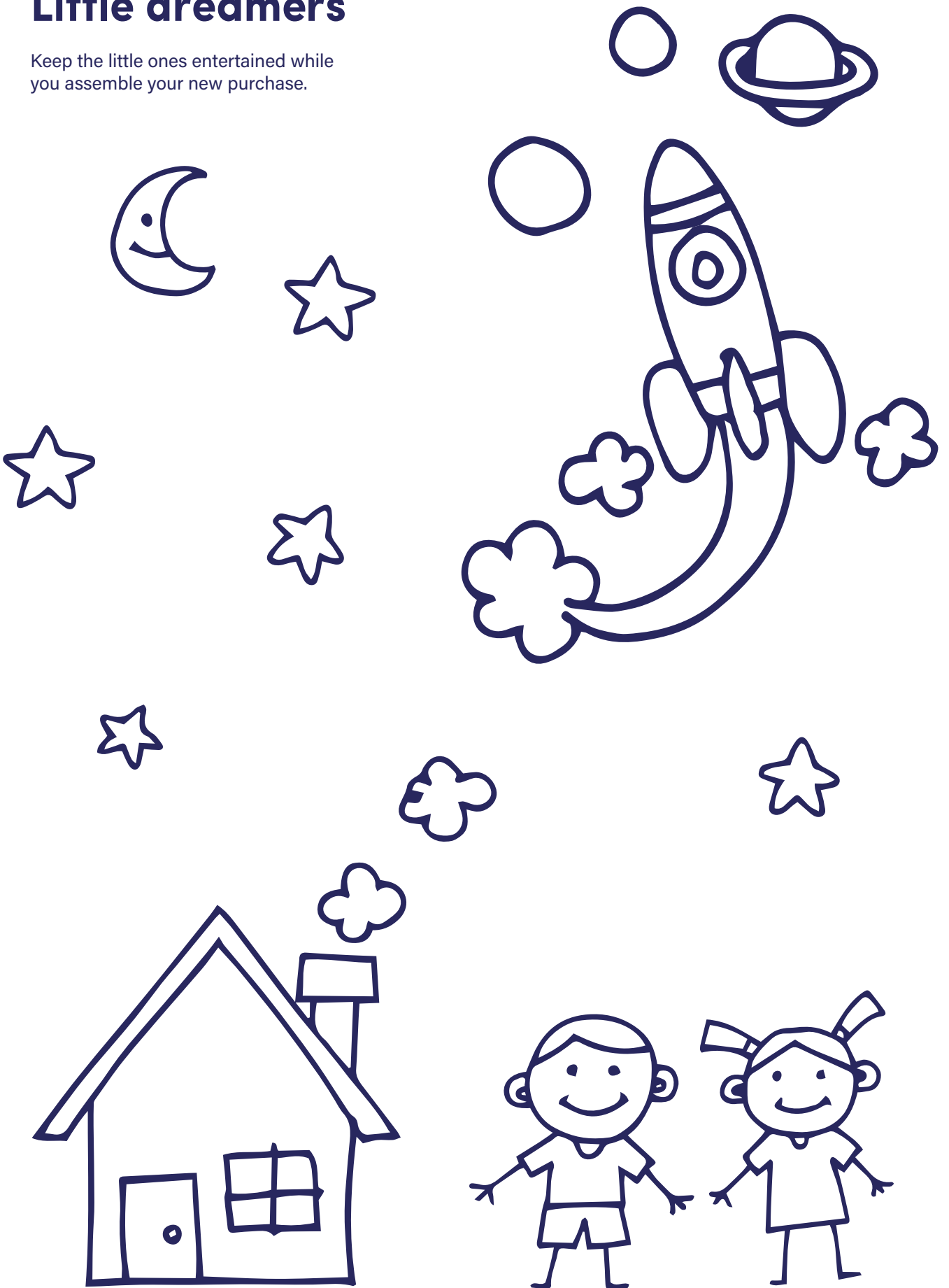


- ①. Disconnect all mains electric power to the bed, for at least 60 seconds.
- ②. Press UP or DOWN Button on TV Lift Remote Control and keep holding button down, simultaneously re-connect mains electric power to bed keeping button down for at least a further 5 seconds. TV Lift unit receives signal from Remote Control and lift will begin to move UP or DOWN whichever direction was chosen.
- ③. Re-connection is now completed.



Little dreamers

Keep the little ones entertained while you assemble your new purchase.



Dreams

