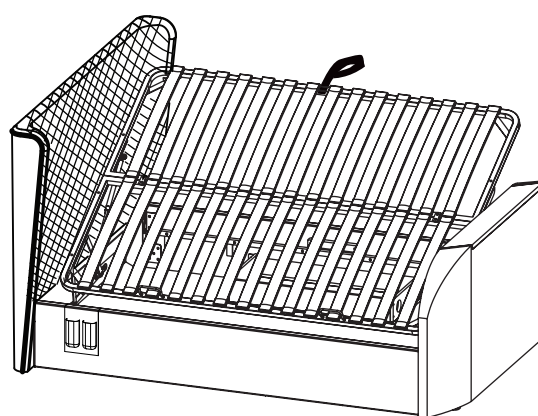
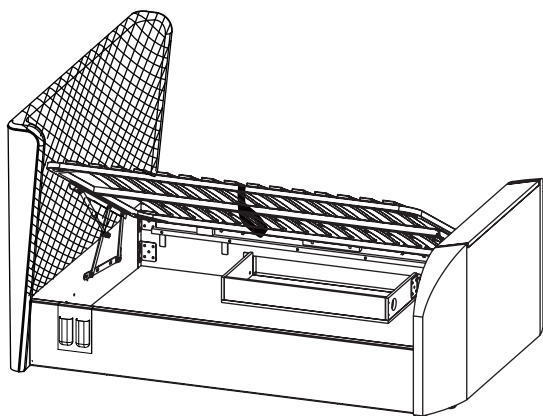
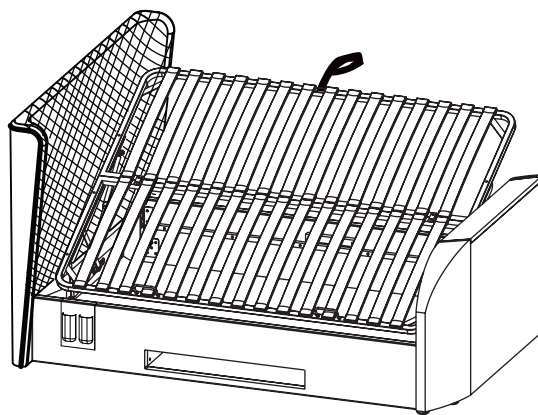
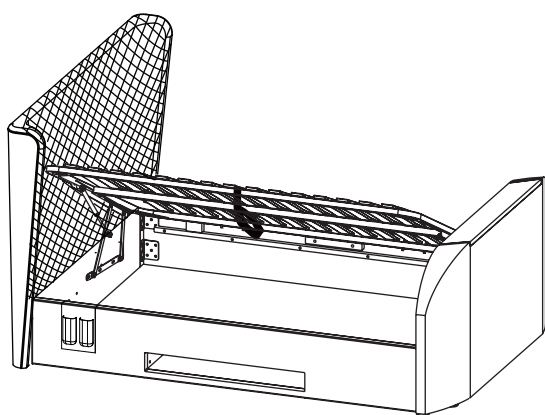


# KOBE TV BED OTTOMAN UPGRADE



WHEN THE OTTOMAN UPGRADE IS SELECTED - PLEASE USE THIS AI AND IGNORE THE STANDARD AI IN PACK 3



1.5 hour approx  
assembly time



Two person  
assembly

**Dreams**

# Thank You

Dear Customer, Thank you for choosing to purchase your bed from Dreams - we hope it brings you your best ever night's sleep. Before you begin building your bed, please take a moment to read through the instructions and make sure that you've got all the relevant parts listed on the following pages.



## Assembly tips

Before you begin, it's best to identify all parts and fittings to build your bed. We advise laying these out on the floor to check you have everything, and familiarising yourself before building.



## Top tip

We recommend that you build your new bed in the room you'd like it to be located - this will help prevent any risk of damage to your newly built bed whilst moving it.



## Safety and care

It's really important to ensure children and animals are kept away from the assembly area, as there are small components used in this bed which could present a choking hazard. All plastic and wrapping materials should also be kept away from children and animals to prevent any risk of suffocation. To keep your little ones busy, there is a colouring page inside the back cover.



## Help and support

At Dreams, it's our mission to give the whole nation a great night's sleep - this means that the quality of our products is of utmost importance to us. If there are any issues with your product or any missing parts, please contact our Help Centre on 0800 652 6750, where a member of our team will be happy to help. (For customers based in Northern Ireland, please call 028 9050 8300)



## Recycling

Please ensure that packaging is disposed of in a safe and environmentally friendly way, and recycle where possible. Our assembly instructions are printed on recycled paper. Please keep your assembly instructions safe to refer back to in the future.

# Warning

- You must ensure that the mattress is on the bed frame before operating the lift mechanism – Failure to do so could result in injury.
- Keep hands clear of the mechanism when opening or closing the ottoman.
- Beware of entrapment – Never reach in through the mechanism to access the storage area.
- Always ensure that the ottoman is FULLY opened before accessing the storage area.
- Do not exceed the maximum weight as specified in the table below:

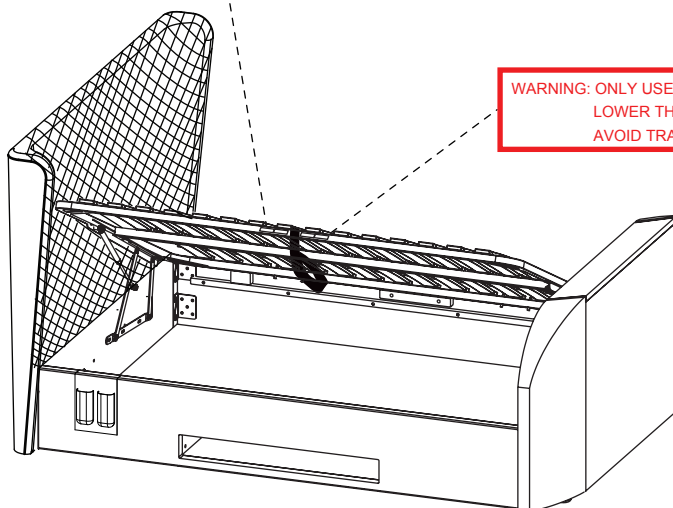
Bed	Bed Size	Min Weight (kg)	Max Weight (kg)
Kobe	Double	25	65
	King	25	60



- Use caution when operating, always use the handle when lifting.
- Note: This bed uses a pressurised mechanism.
- To be operated by adults only
- Please ensure that children and pets are kept away from the bed when operating the lift mechanism.
- Keep children and pets away from the storage area.
- Do not overload the internal storage base.
- Do not stand inside the internal storage area of the bed.
- Before removing the mattress secure the frame to ensure it does not open unexpectedly.
- Do not attempt to lie on the mattress when the ottoman is in the raised position.

**SAFETY WARNING**  
PLEASE DO NOT ALLOW CHILDREN OR PETS INSIDE THE STORAGE AREA.

**SAFETY WARNING**  
PLEASE BE CAREFUL WHEN LIFTING. ONLY LIFT WITH MATTRESS ON TOP. TO BE OPERATED BY ADULTS ONLY.



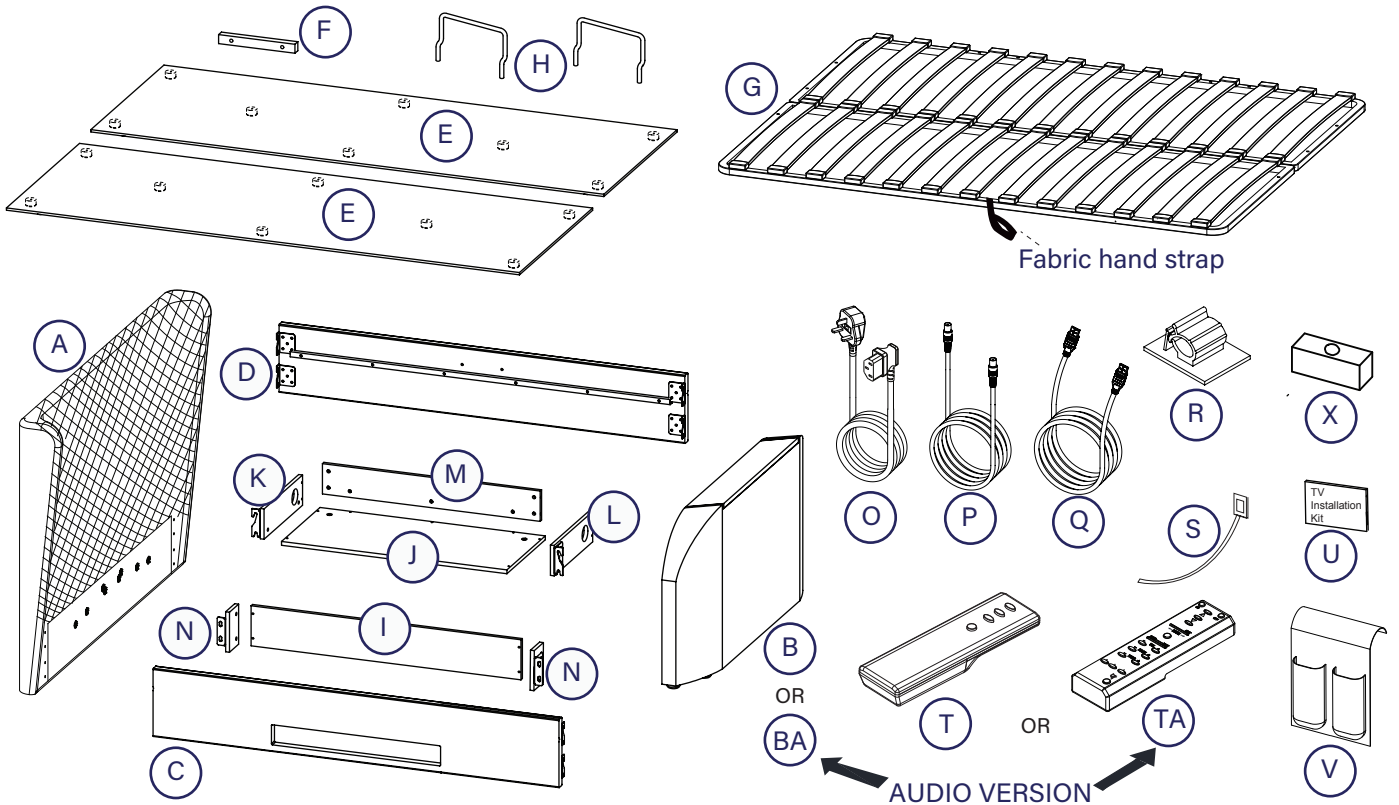
**WARNING: ONLY USE THE HANDLE TO LIFT & LOWER THE BED FRAME TO AVOID TRAPPING FINGERS!**

**TO AVOID ACCIDENTS**  
TO ACCESS THE STORAGE AREA THE OTTOMAN FRAME MUST BE FULLY OPENED AND THEN FULLY CLOSED AFTERWARDS

# Parts

## Important information

The bed you have purchased comes with a metal slat frame lifting from the side. You can configure this to open from left side or right side to make it convenient for the layout of the room it will be located in - please follow the instructions below in their current order.  
The media tray can also be fitted on left or right.

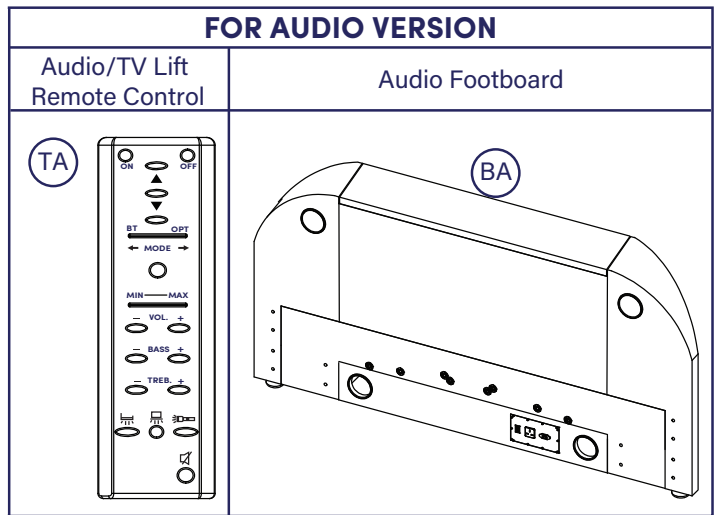
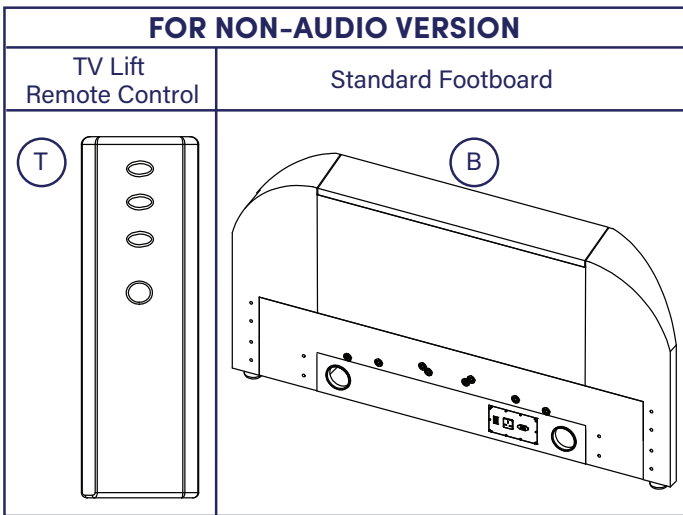


## Parts list

A.	Headboard	1	L.	Media Tray Side Panel - R	1
B.	STANDARD Non-audio footboard	1	M.	Media Tray Back Panel	1
BA.	or AUDIO footboard	1	N.	Cable Guard Side Panel	2
C.	Side Rail - with Media Tray	1	O.	Mains Power Lead - 3 mt	1
D.	Side Rail - without Media Tray	1	P.	Aerial Lead - 4 mt	1
E.	Base Boards	2	Q.	HDMI Lead - 2.8 mt	2
F.	Metal Slat Frame Support Rail	2	R.	Cable Clip	5
G.	Metal Slat Frame	1	S.	Cable Tie	5
H.	Mattress Stopper	2	T or TA.	TV Lift Remote Control	1
I.	Cable Guard Back Panel	1	U.	TV Installation Kit	1
J.	Media Tray Base Panel	1	V.	Remote Control Holster	1
K.	Media Tray Side Panel - L	1	X.	Cushion Block	4

Packed inside  
accessory box  
in footboard  
carton (2).

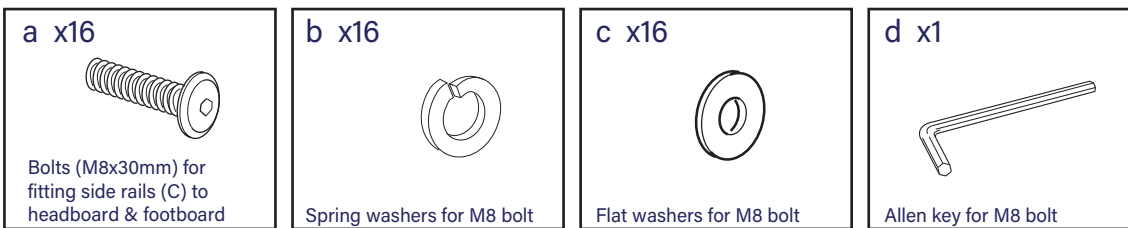




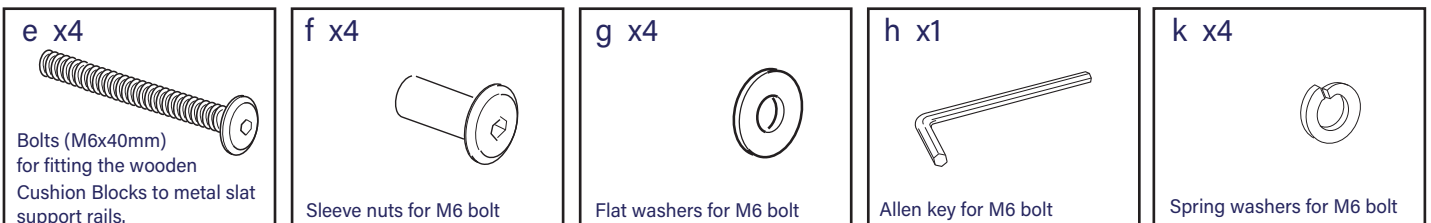
## Fittings

Please check you have all the parts listed below with your product:

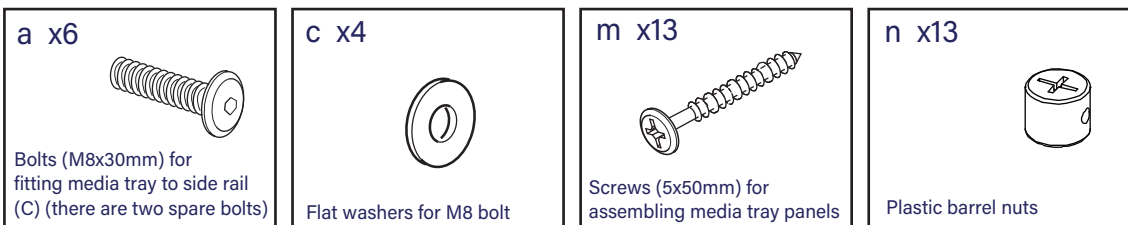
### Hardware needed for fitting side rails to headend & footend Packed in side rail Pack 3 - hardware Pack (A)



### Hardware needed for fitting the cushion block (X) to metal slat frame supports Packed in side rail Pack 3 - hardware pack (C)

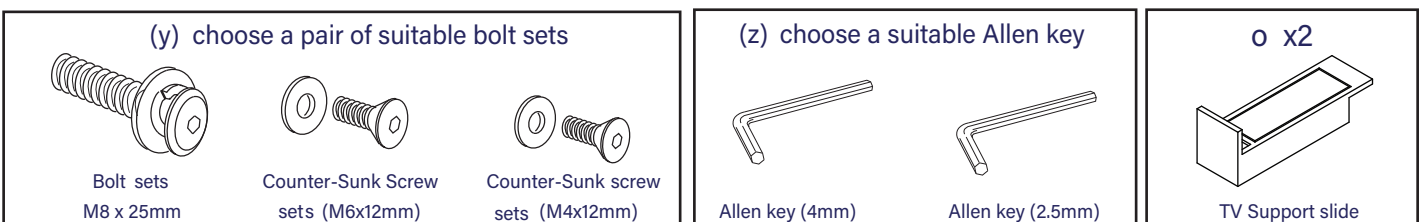


### Hardware needed for assembling and fitting media tray to side rail Packed in media tray Pack 4 - hardware pack (B)

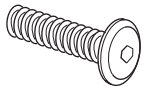


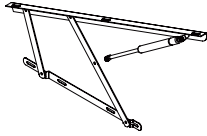
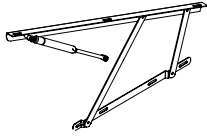


z x1

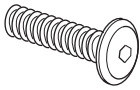

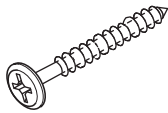

### Hardware needed for installation of the TV is packed in the accessory box, in footboard Pack 2 or 2A





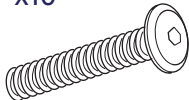
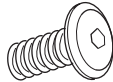



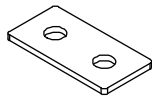
**Hardware needed for fitting gas-lift mechanisms to headboard & footboard**  
**Packed in ottoman Pack 5 - hardware pack (D)**

<p>a x8</p>  <p>Bolts (M8x30mm) for fitting gas-lift mechanisms p(a) &amp; p(b) to headboard and footboard</p>	<p>b x8</p>  <p>Spring washers for M8 bolt</p>	<p>c x8</p>  <p>Flat washers for M8 bolt</p>	<p>p(a)  p(b) </p> <p>Gas-Lift Mechanisms</p>
---	---	---	--

**Hardware needed for assembling and fitting cable guard to base of footboard B or BA**  
**Packed in ottoman Pack 5 - hardware pack (D)**

<p>a x4</p>  <p>Bolts (M8x30mm) for fitting cable guard to footboard</p>	<p>c x4</p>  <p>Flat washers for M8 bolt</p>	<p>m x4</p>  <p>Screws (5x50mm) for assembling cable guard</p>	<p>n x4</p>  <p>Plastic barrel nut</p>
---	---	---	---

**Hardware needed for fitting metal slat frame**  
**Packed in ottoman Pack 5 - hardware Pack (D)**

<p>b x10</p>  <p>Spring washers for M8 bolt</p>	<p>c x20</p>  <p>Flat washers for M8 bolt</p>	<p>q x10</p>  <p>Bolts (M8x45mm) for fitting metal slat frame (G) to gas-lift mechanisms (p)</p>	<p>r x4</p>  <p>Bolts (M8x20mm) for fitting metal connection plates (v) to slat frame (G)</p>	<p>s x6</p>  <p>Nut for M8 slat frame bolts</p>
<p>t x2</p>  <p>Flanged lock-nuts (M8) for gas-lift pistons</p>	<p>u x1</p>  <p>Spanner for M8 nuts</p>	<p>v x2</p>  <p>Metal connection plates for slat frame</p>		

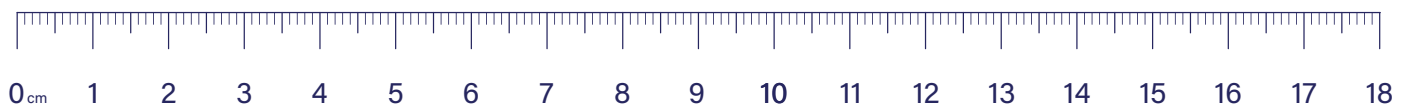
# Tools required



Tape measure



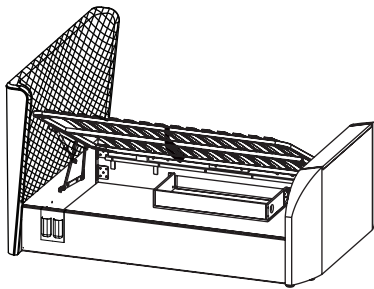
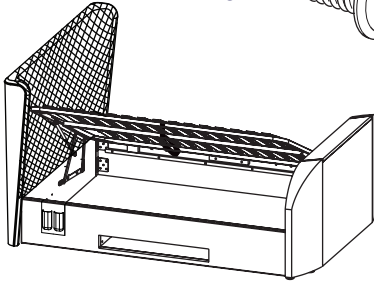
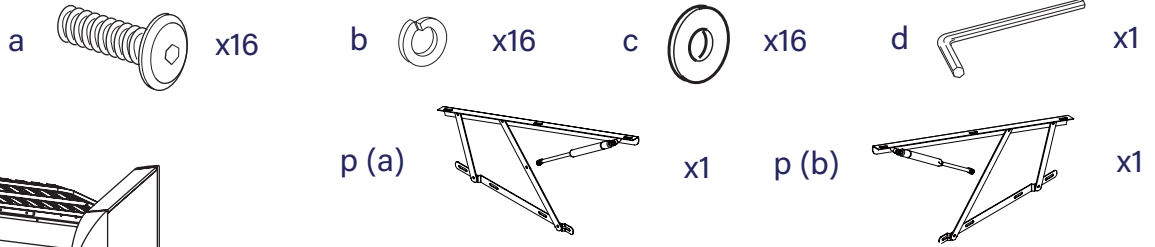
Cross head screwdriver



# Bed assembly.

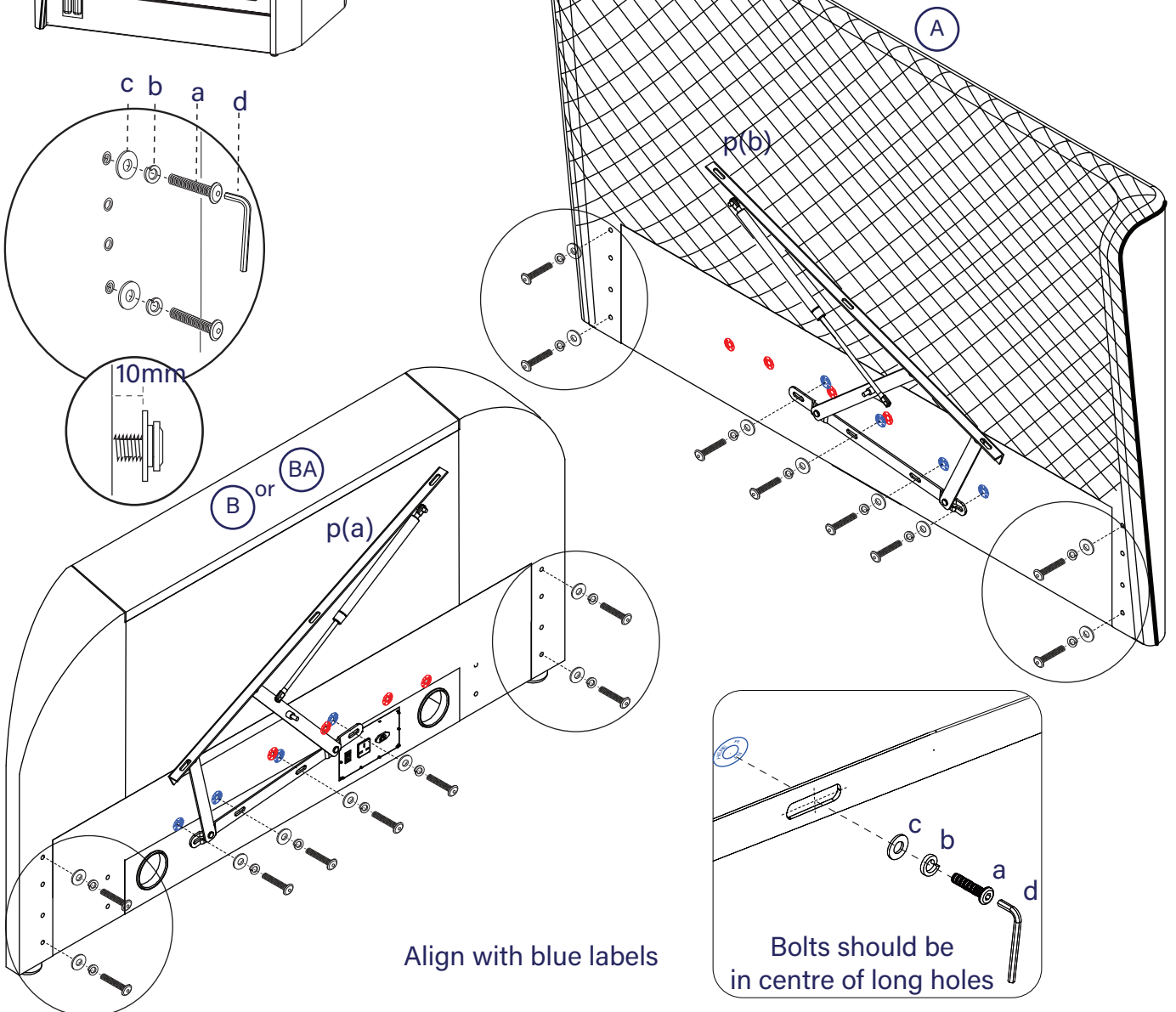
THIS GUIDE SHOWS BOTH NON-AUDIO AND AUDIO VERSION OF THE TV BED FOOTBOARD - ASSEMBLY STEPS ARE THE SAME FOR BOTH VERSIONS.

- 1a** Prepare head & foot ends, choose from which side to lift up the ottoman  
 Follow these instructions if you want to lift the frame up from LEFT side of the bed.



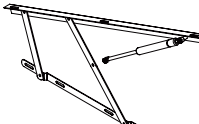

Check this diagram and if access is needed from left side of bed, fit both lift mechanisms to right side of the headboard & footboard. Bolt into the holes marked (R) with blue labels.

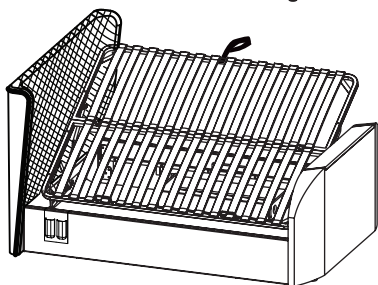
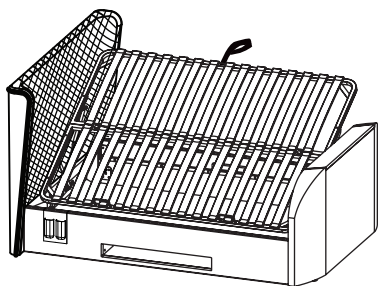
The mechanisms are labeled p(a) & p(b). Please carefully follow the diagram below.



**1b** Follow these instructions if you want to lift the frame up from **RIGHT** side of the bed.

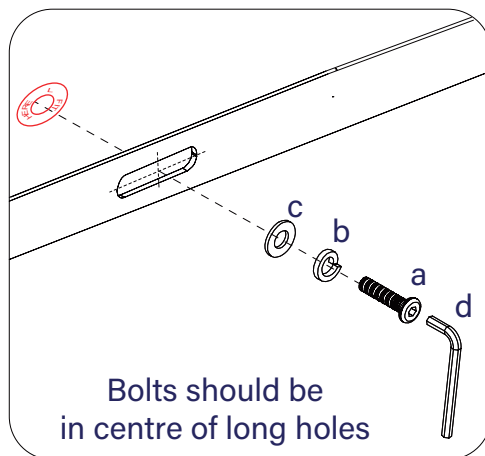
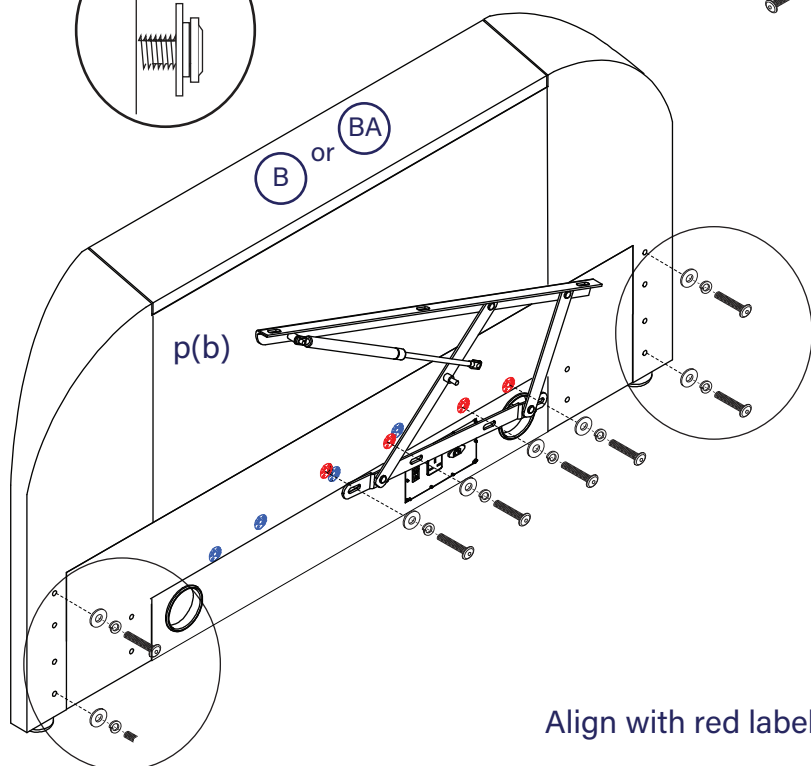
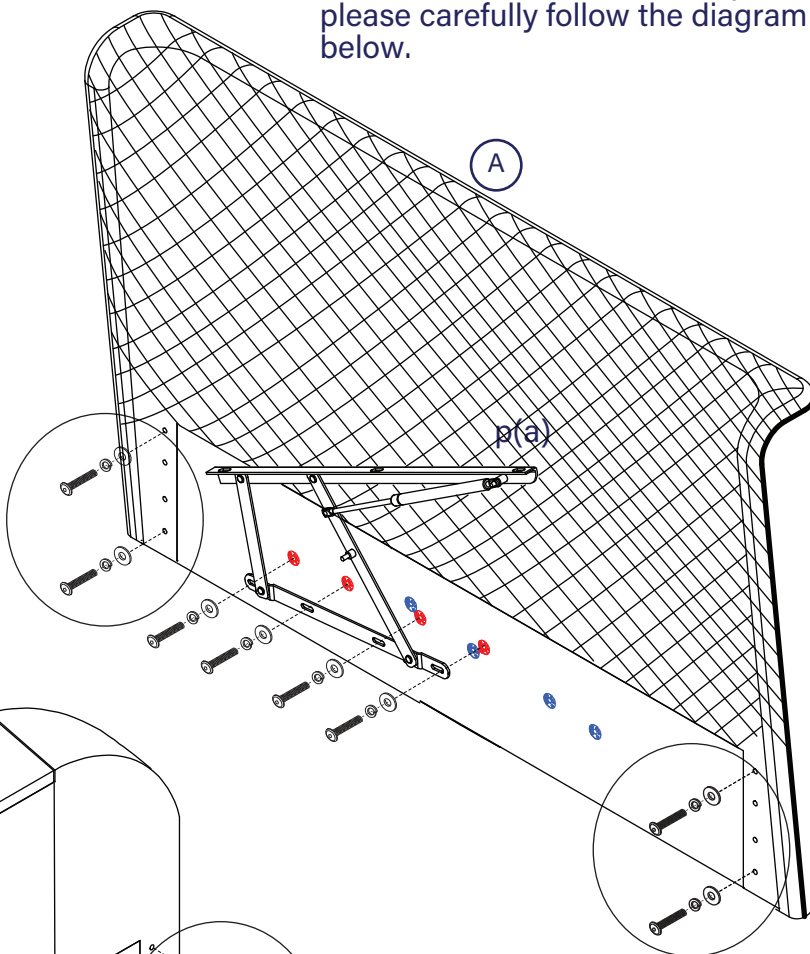
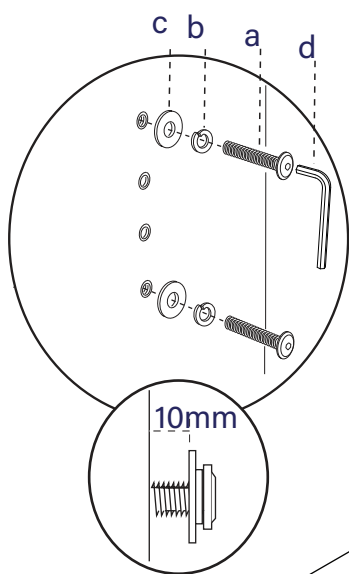
- a  x16    b  x16    c  x16    d  x1

- p (a)  x1    p (b)  x1



Check this diagram and if access is needed from right side of bed, fit both lift mechanisms to left side of the headboard & footboard. Bolt into the holes marked (L) with red labels.

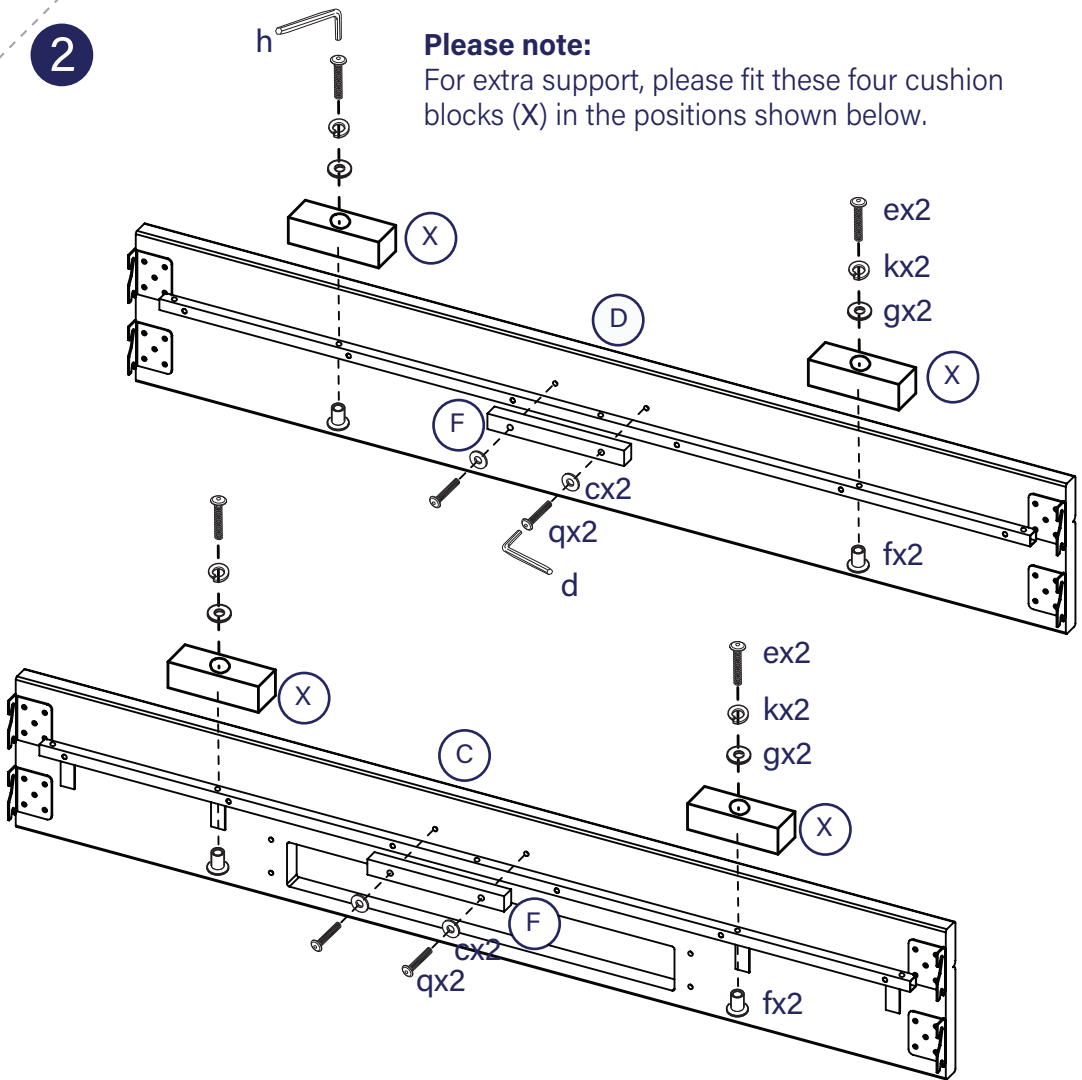
The mechanisms are labeled p(a) & p(b) please carefully follow the diagram below.



Align with red labels

Bolts should be in centre of long holes

2



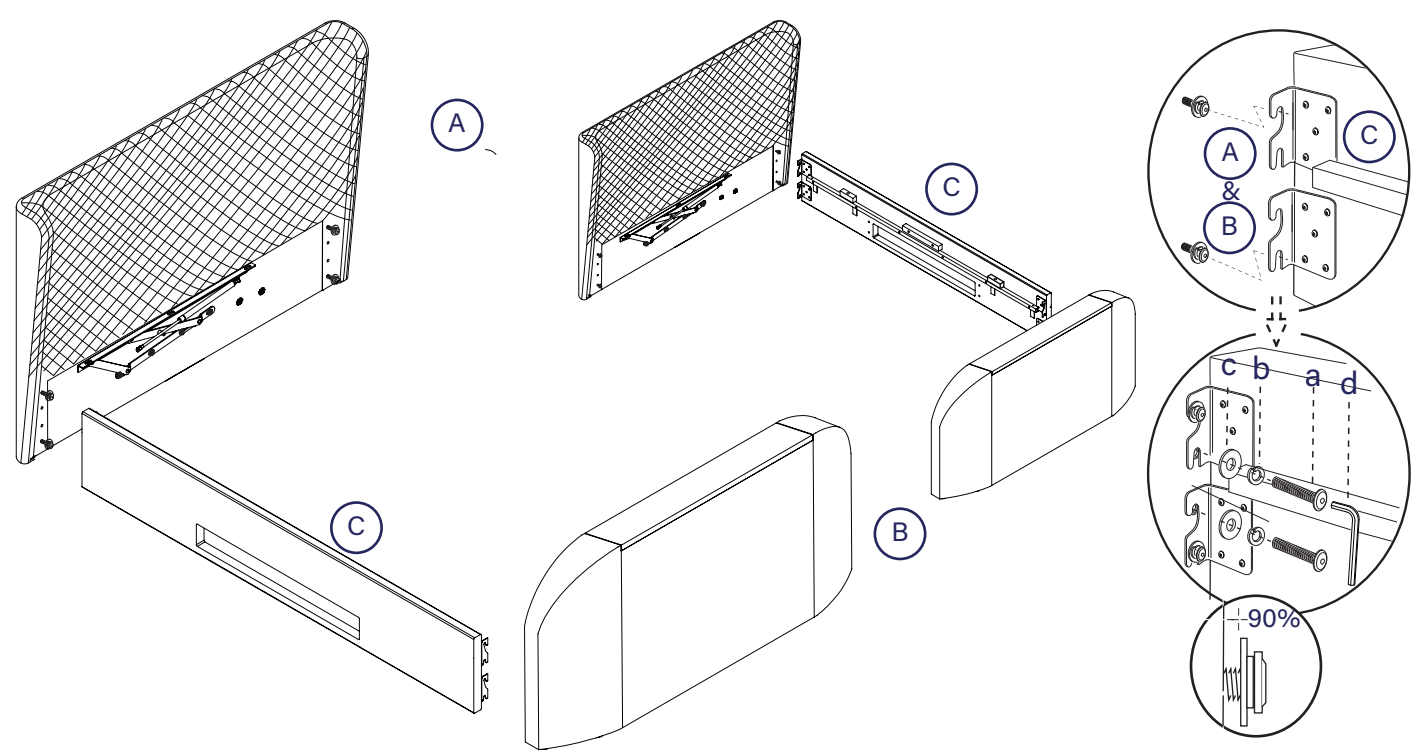
**Please note:**  
For extra support, please fit these four cushion blocks (X) in the positions shown below.

- c x1
- d x4
- q x4
- e x4
- f x4
- g x4
- h x1
- k x4

3

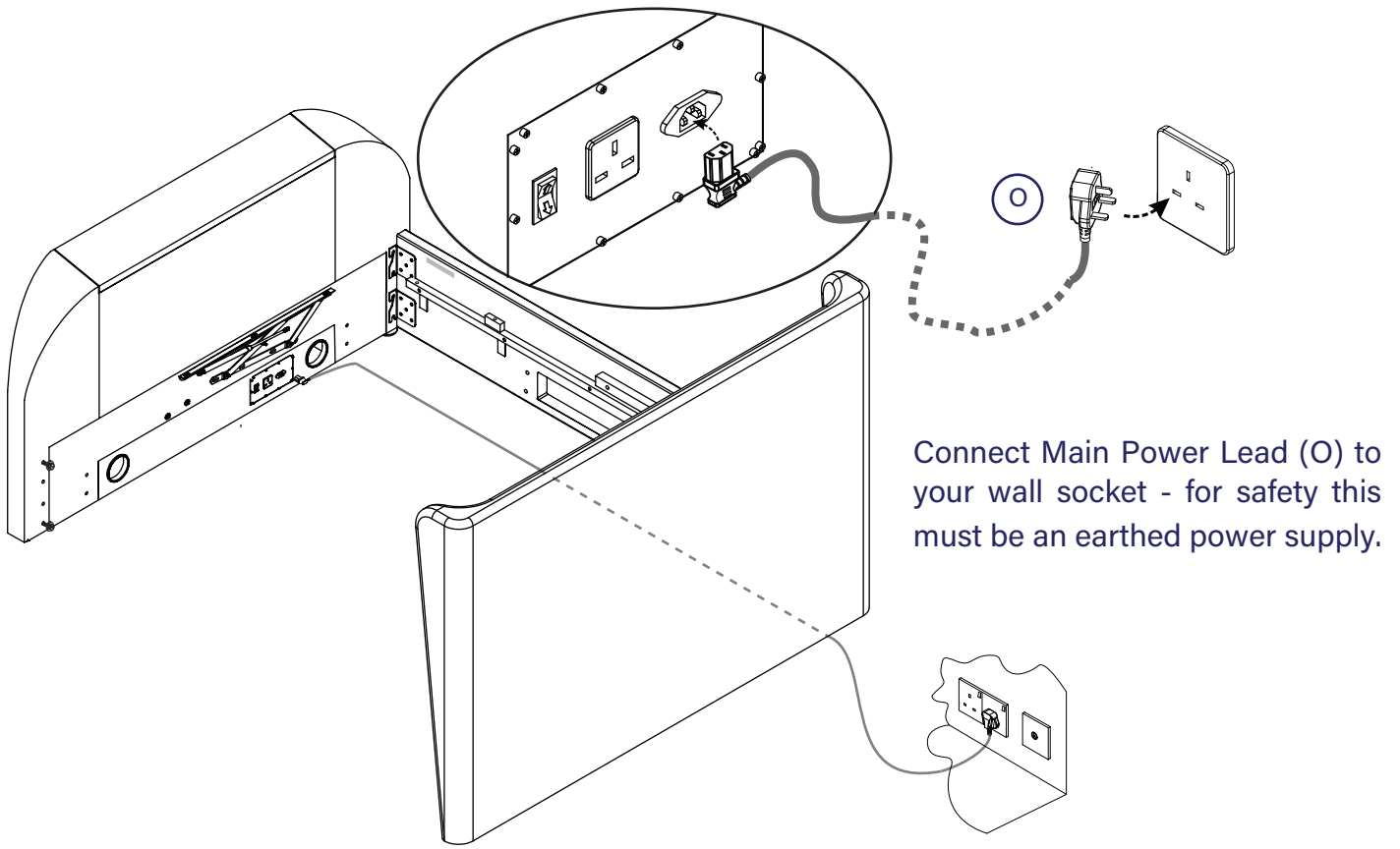
**Fit media tray side rail (C) to left or right side of the bed**

- a x4
- b x4
- c x4
- d x1

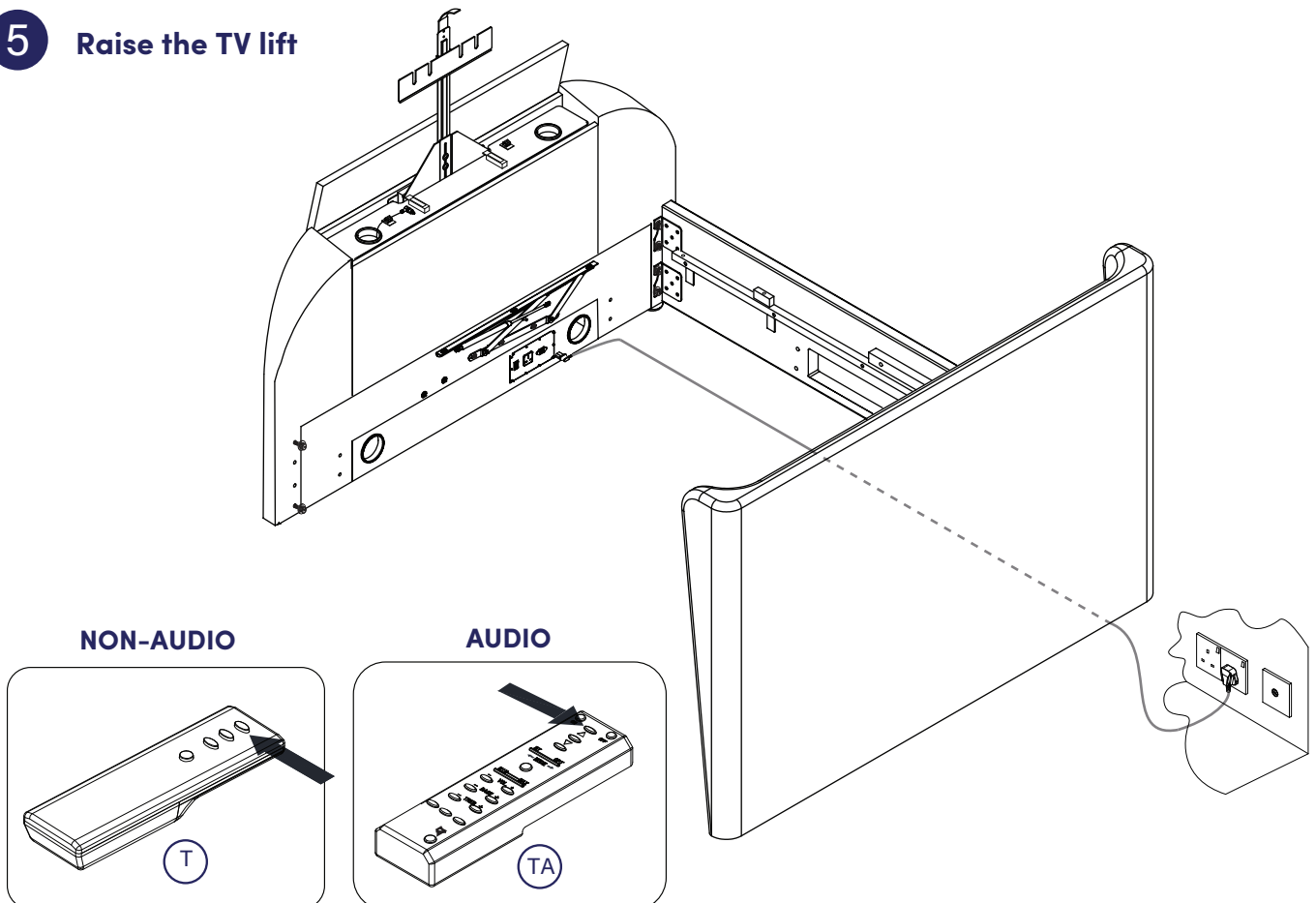


# Electrical & cable connections

- 4** Connect mains power supply, it is exactly same for Audio or Non-audio.



- 5** Raise the TV lift

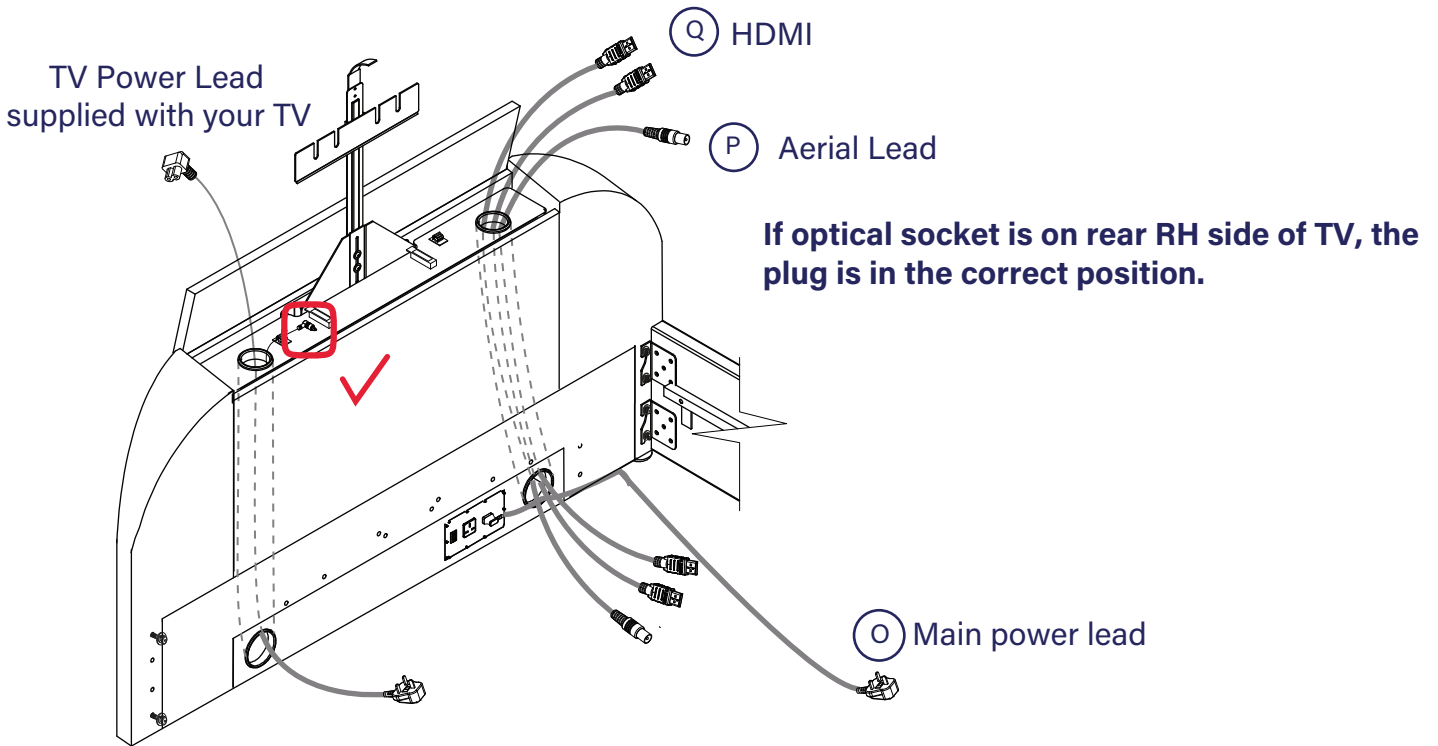


Press the "UP" button to raise the TV lift.

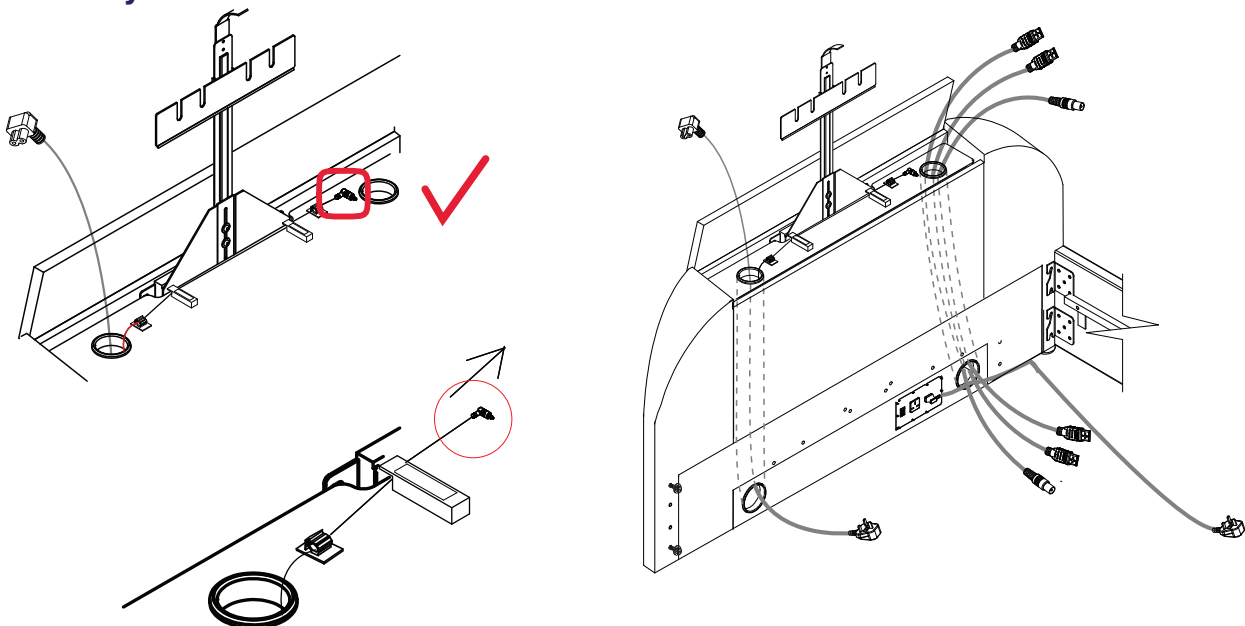


**Note: For illustration purposes only, TV connections may vary.**

- Tip:**
- 6** Before fitting the TV, push cables through each duct from the top choosing the best side to use depending on where the connection ports are on back of your TV.
- Never cross cables from one side to the other unless as shown in the instruction below, in this Step.

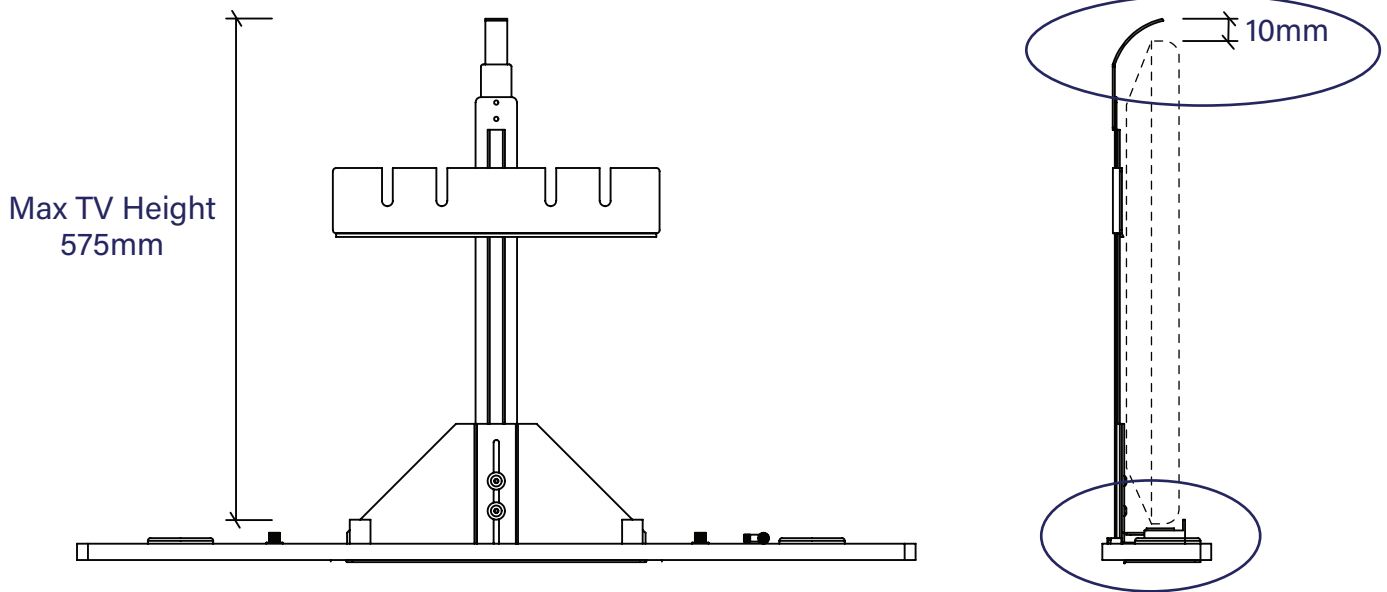


If optical socket is on rear LH side of TV, draw the loose cable out of the port and lay across TV Lift cover board as shown. Use cable clip (R) on each side to keep cable straight and out of harms way.



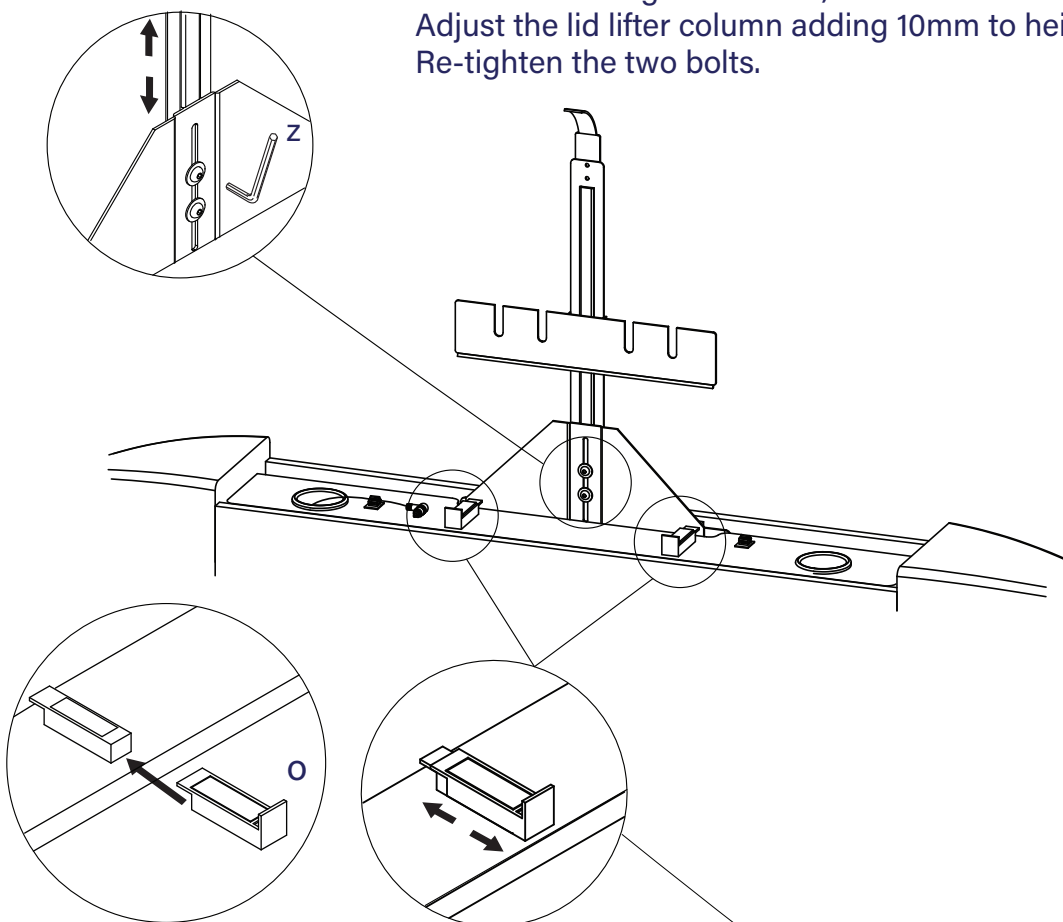


**7** Height of TV is normally pre-set - follow this guide if it needs to be changed.



**i.** Loosen the two bolts.

Measure the height of the TV,  
Adjust the lid lifter column adding 10mm to height of the TV.  
Re-tighten the two bolts.



**ii.** The upper part of each support slides to hold front of TV in place.

Draw the upper slides (o) outwards.

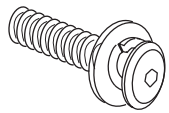
Place TV in position vertically up against the column and loosely bolt TV in place as in Step 9.

Slide TV supports so lip is as close as possible to front bezel of the TV.  
Tighten the two TV Vesa fixing bolts.

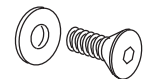
8

IF SCREWS ARE SUPPLIED WITH TV, PLEASE USE THOSE IN PREFERENCE

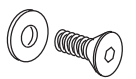
y x2 Bolt sets M8 x 25mm



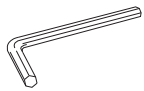
Counter-Sunk Screw sets (M6x12mm)



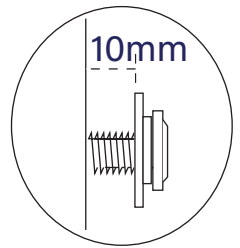
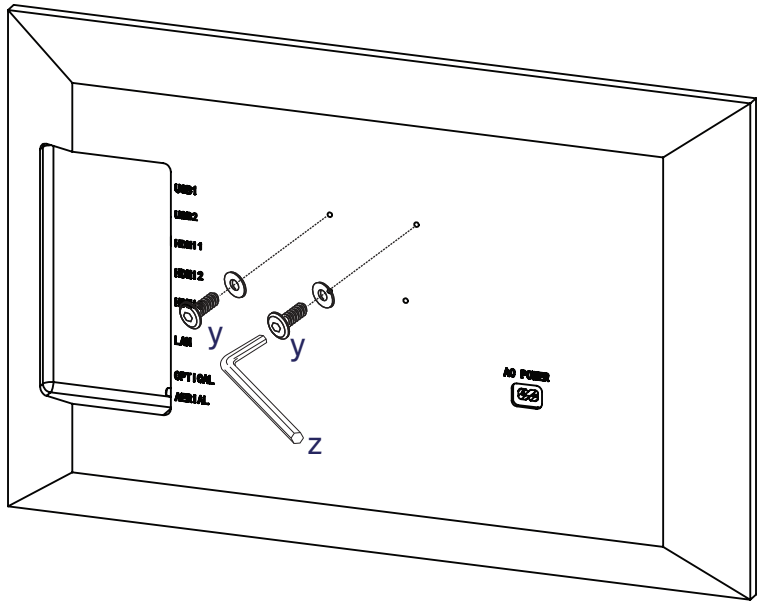
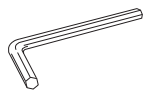
Counter-Sunk screw sets (M4x12mm)



z x1 Allen Key (4mm)

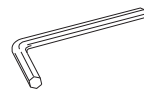


Allen Key (2.5mm)

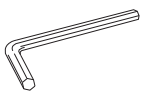


9

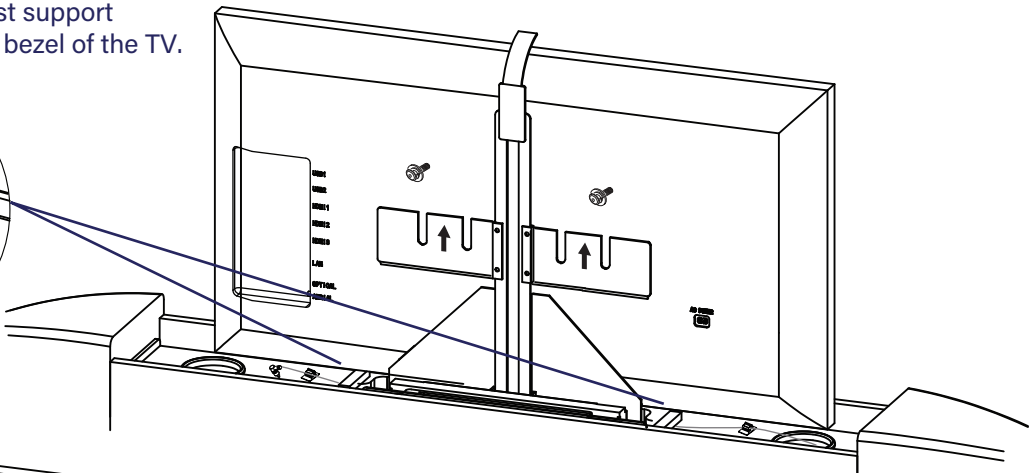
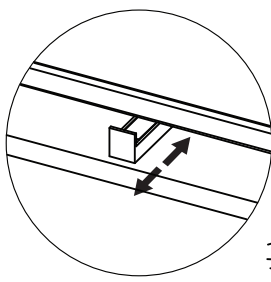
z x1 Allen Key (4mm)



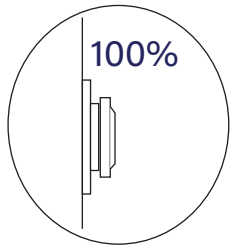
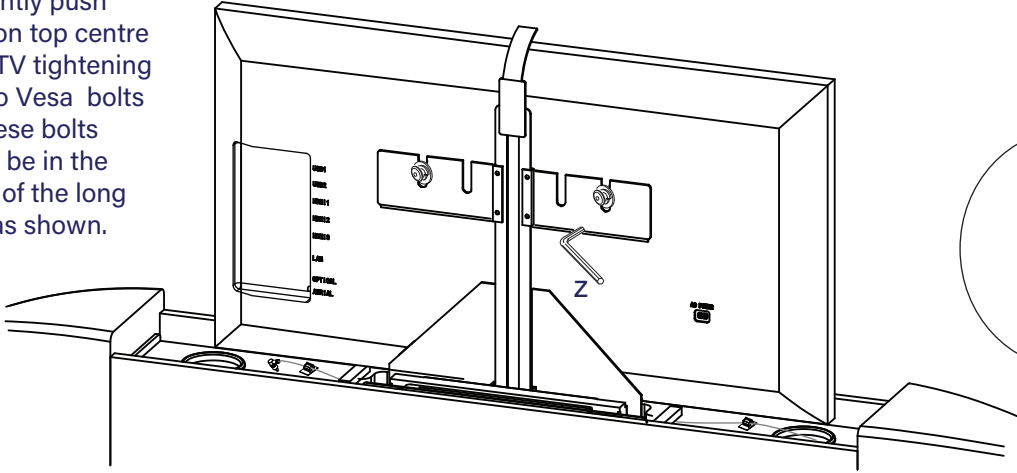
Allen Key (2.5mm)



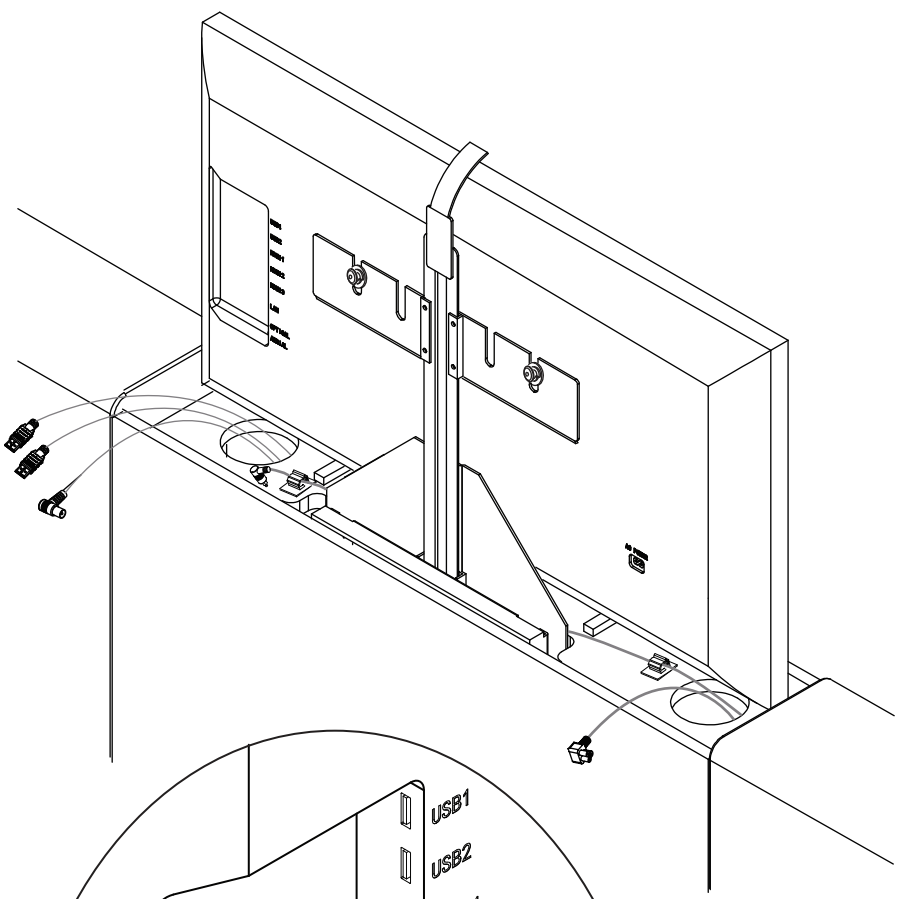
i. Put TV in place, adjust support sliders to touch front bezel of the TV.



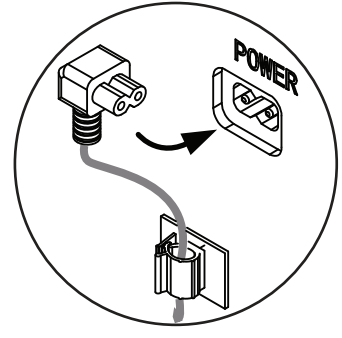
ii. Raise the TV bracket and lightly push down on top centre of the TV tightening the two Vesa bolts (y). These bolts should be in the centre of the long holes as shown.



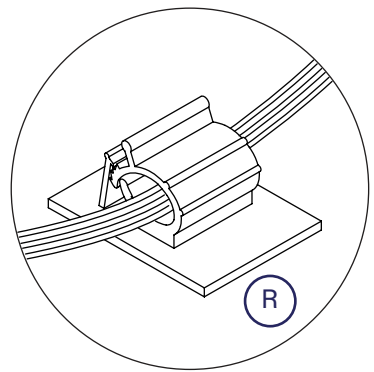
Note: For illustration purposes only, TV connections may vary.



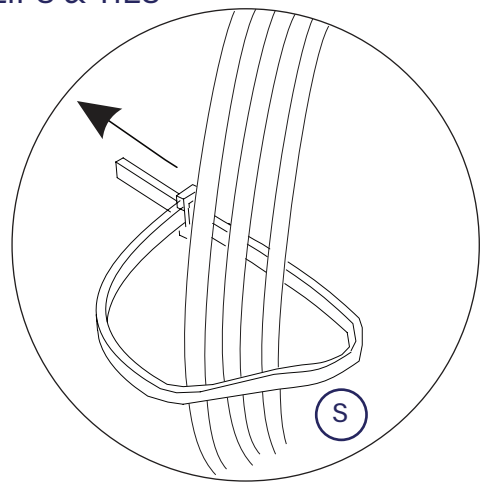
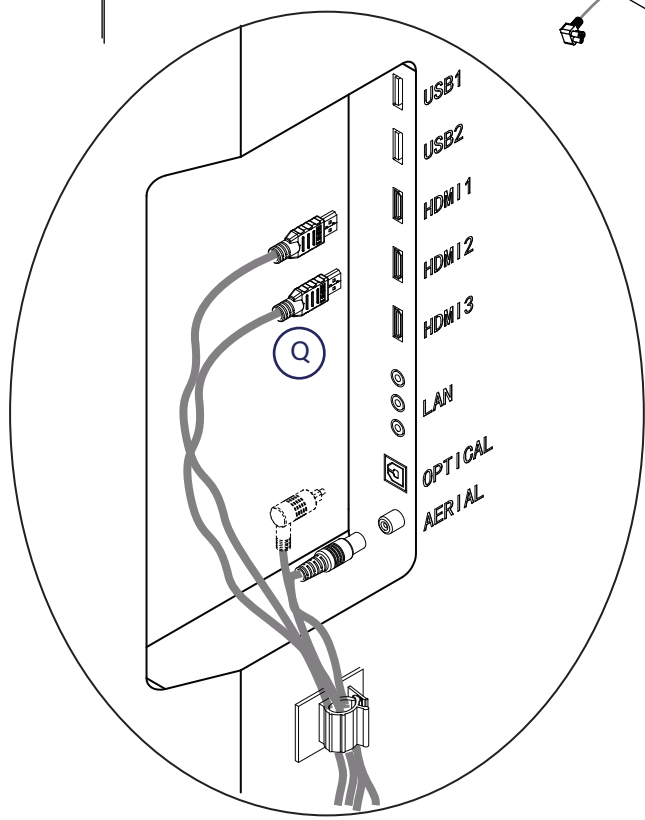
TV Power Lead supplied with your TV



Keep wires tight - peel off cover from cable clips & adhere to back of TV.



**PLUG IN - KEEP ALL CABLES TIGHT - USE CLIPS & TIES PROVIDED.**

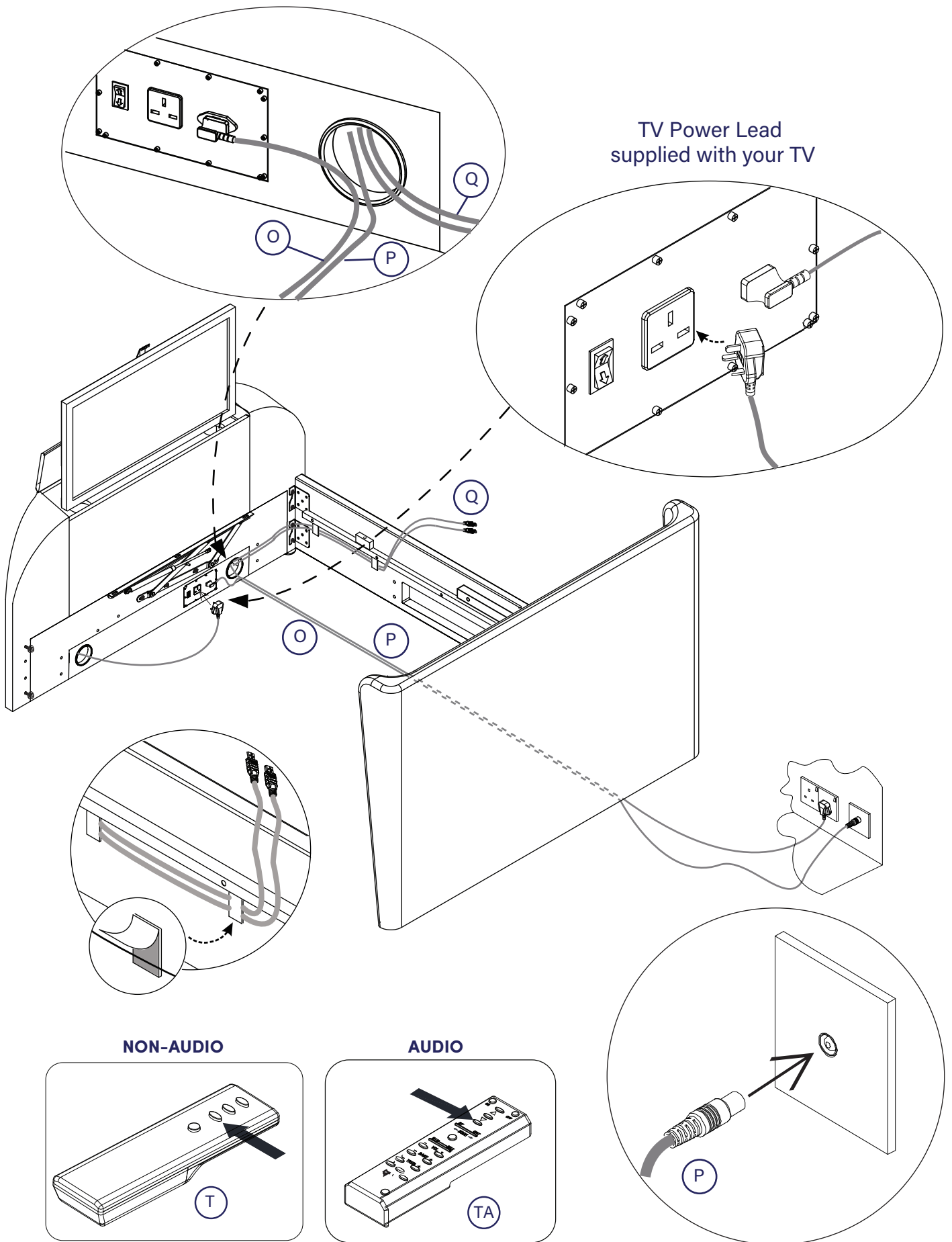


**Optical connection is for Audio version only.**

REMOVE DUST-CAP

OPTICAL SOCKET

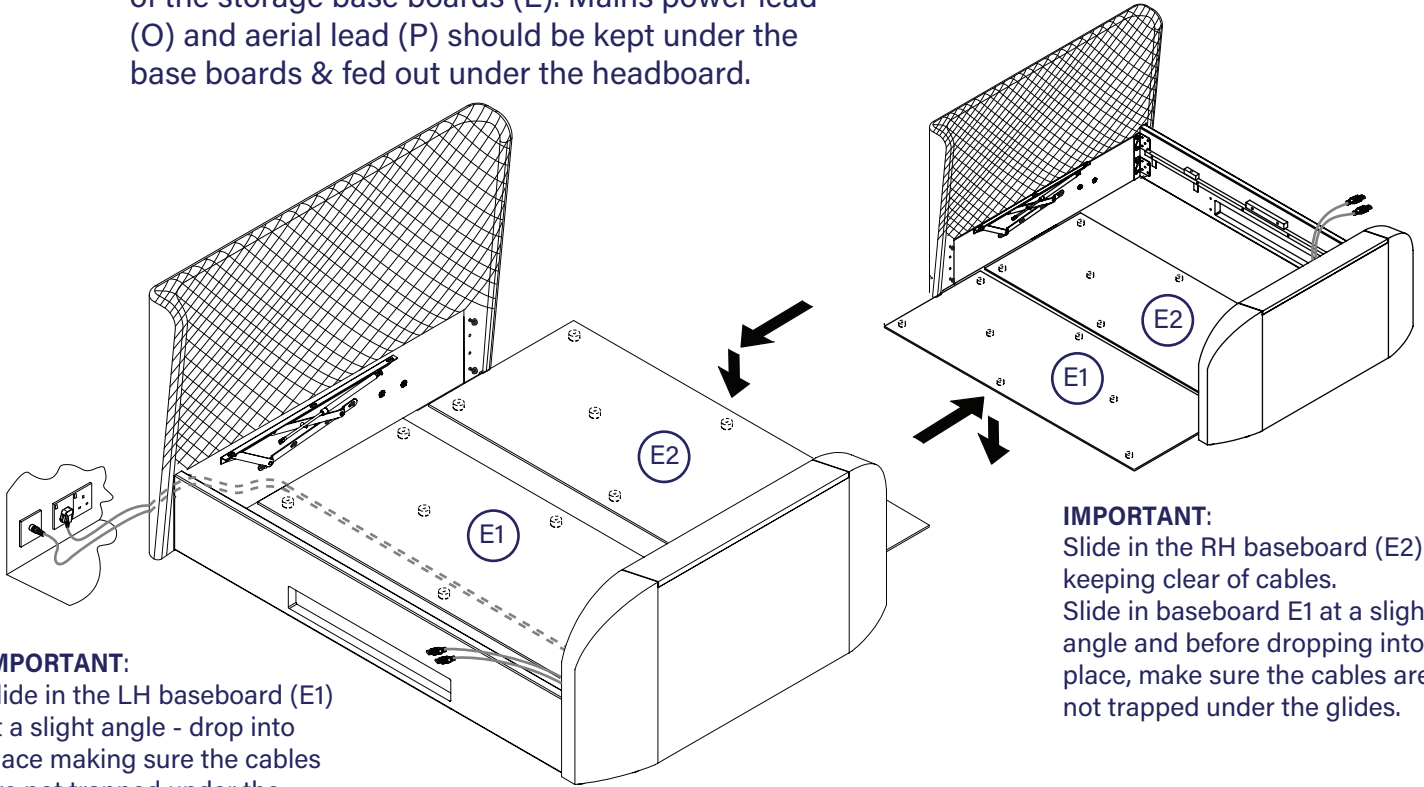
**11** Connect cables, same for Audio or Non-audio.



**Press the "DOWN" button to lower the TV lift.**

## 12 Slide in the storage base boards with the plastic glides underneath

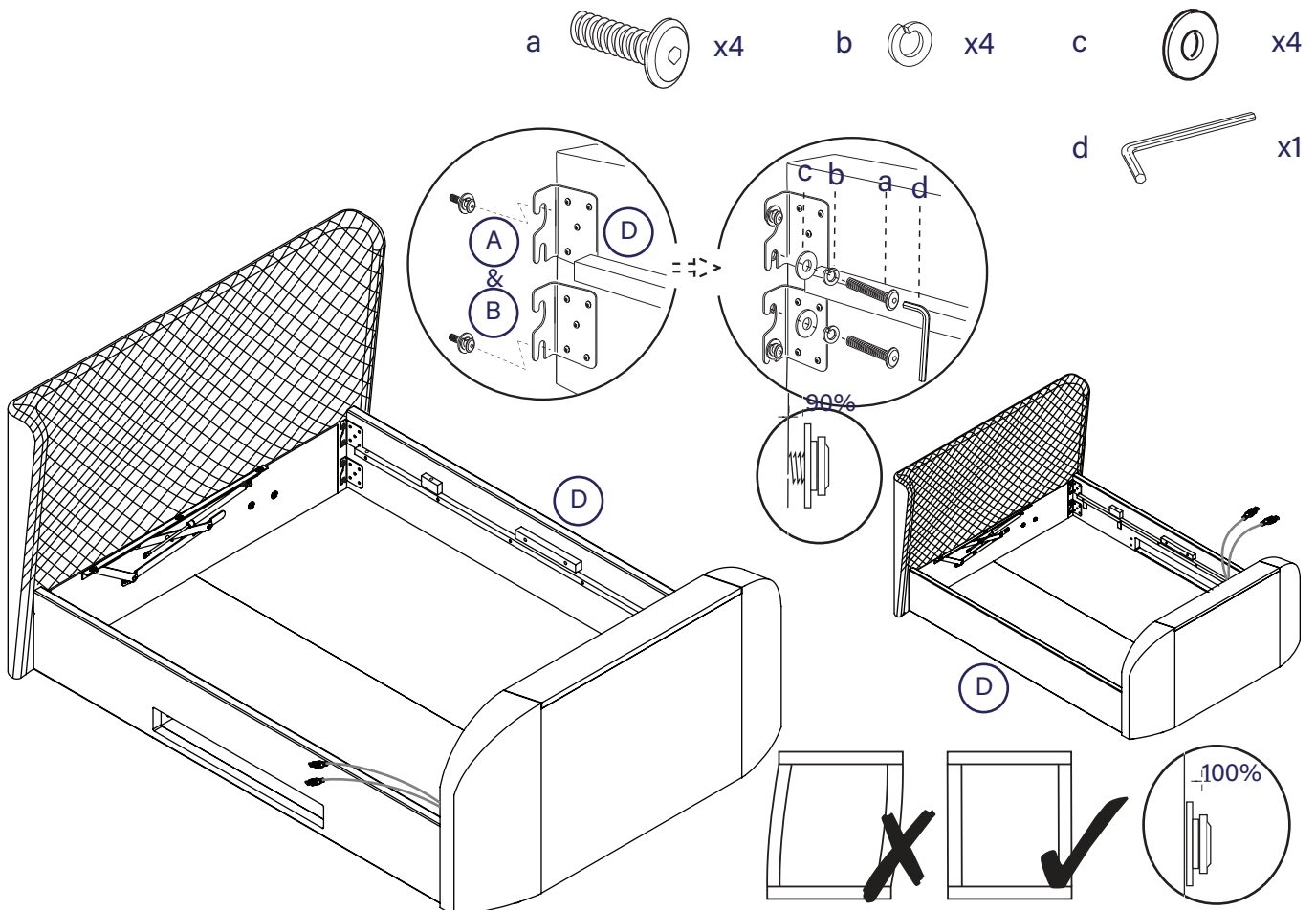
Please make sure to keep HDMI leads (Q) on top of the storage base boards (E). Mains power lead (O) and aerial lead (P) should be kept under the base boards & fed out under the headboard.



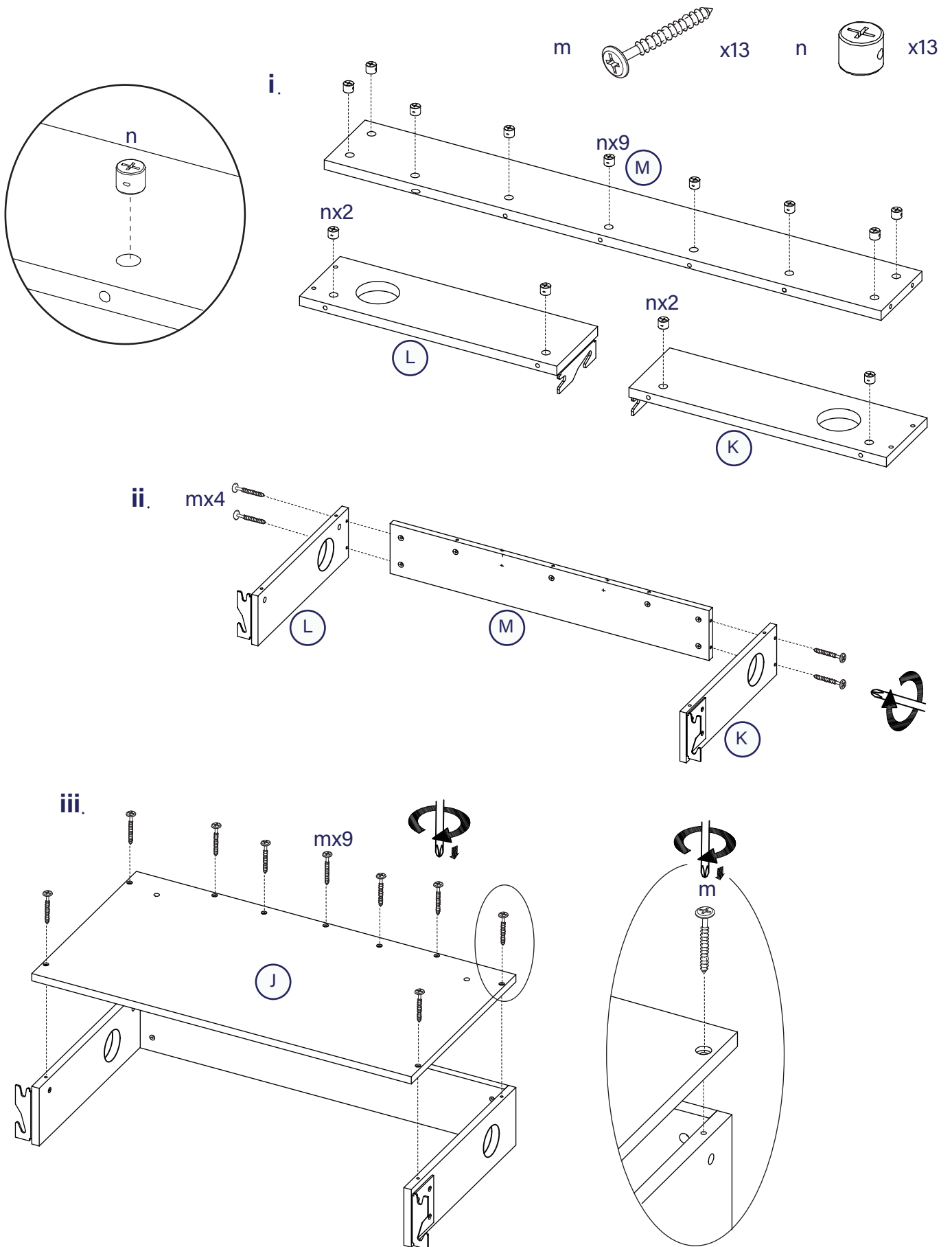
**IMPORTANT:**  
Slide in the LH baseboard (E1) at a slight angle - drop into place making sure the cables are not trapped under the glides. Slide in baseboard E2.

**IMPORTANT:**  
Slide in the RH baseboard (E2) keeping clear of cables. Slide in baseboard E1 at a slight angle and before dropping into place, make sure the cables are not trapped under the glides.

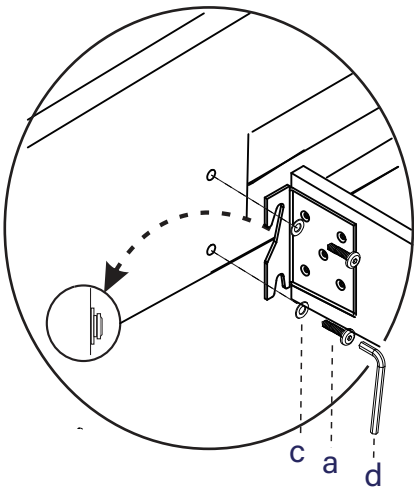
## 13 Fit plain side rail (D) to opposite side

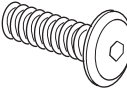




# 14 Media tray assembly

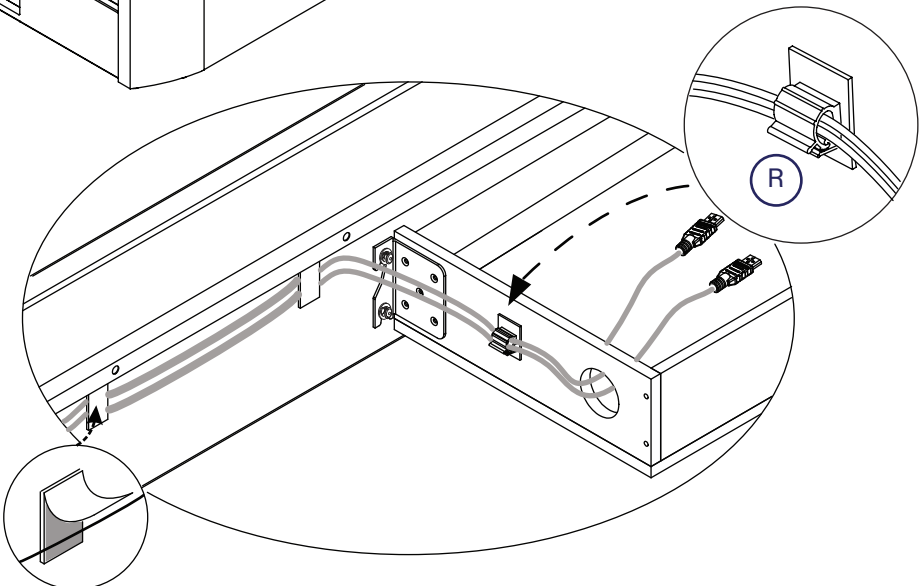
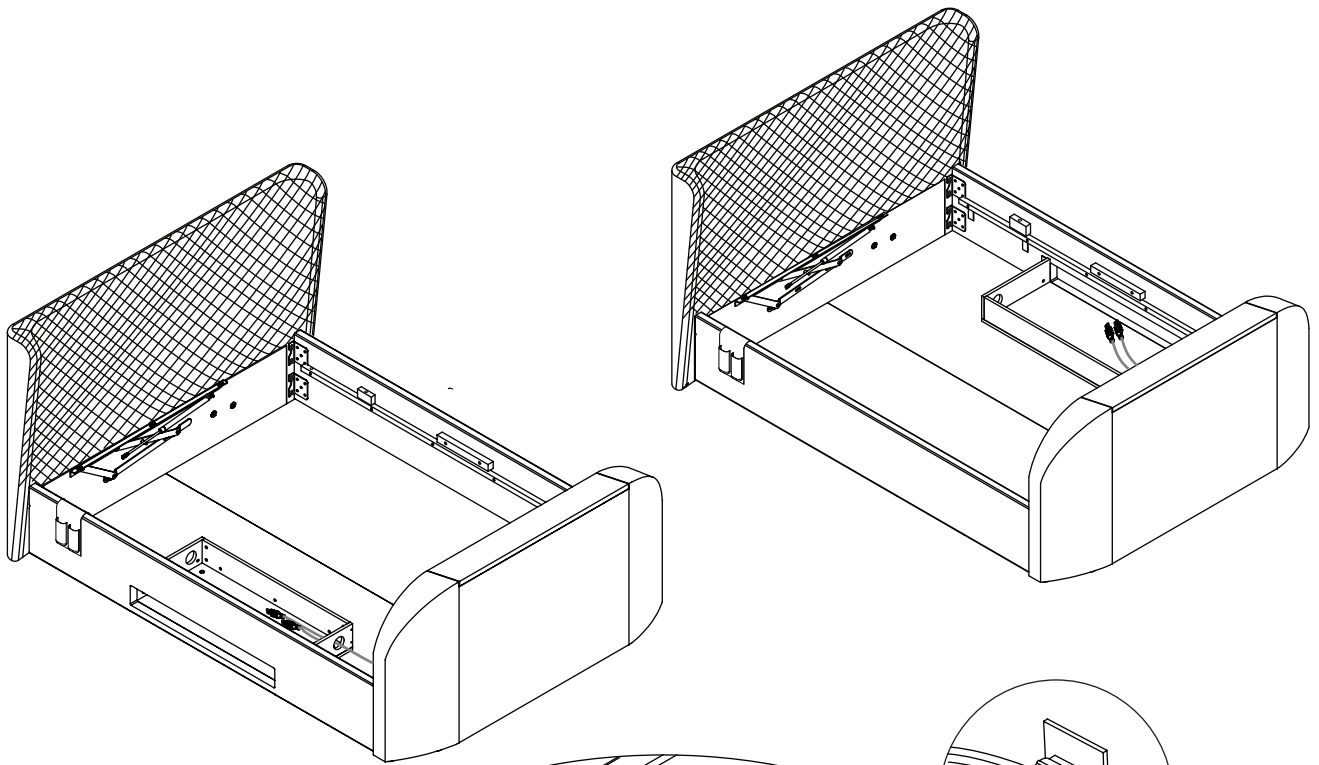
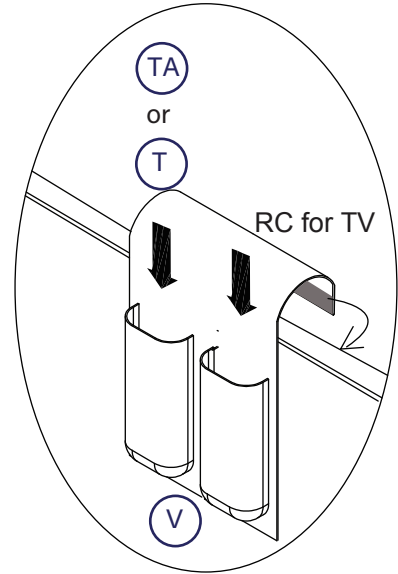


**15** Install the media tray to relevant side rail



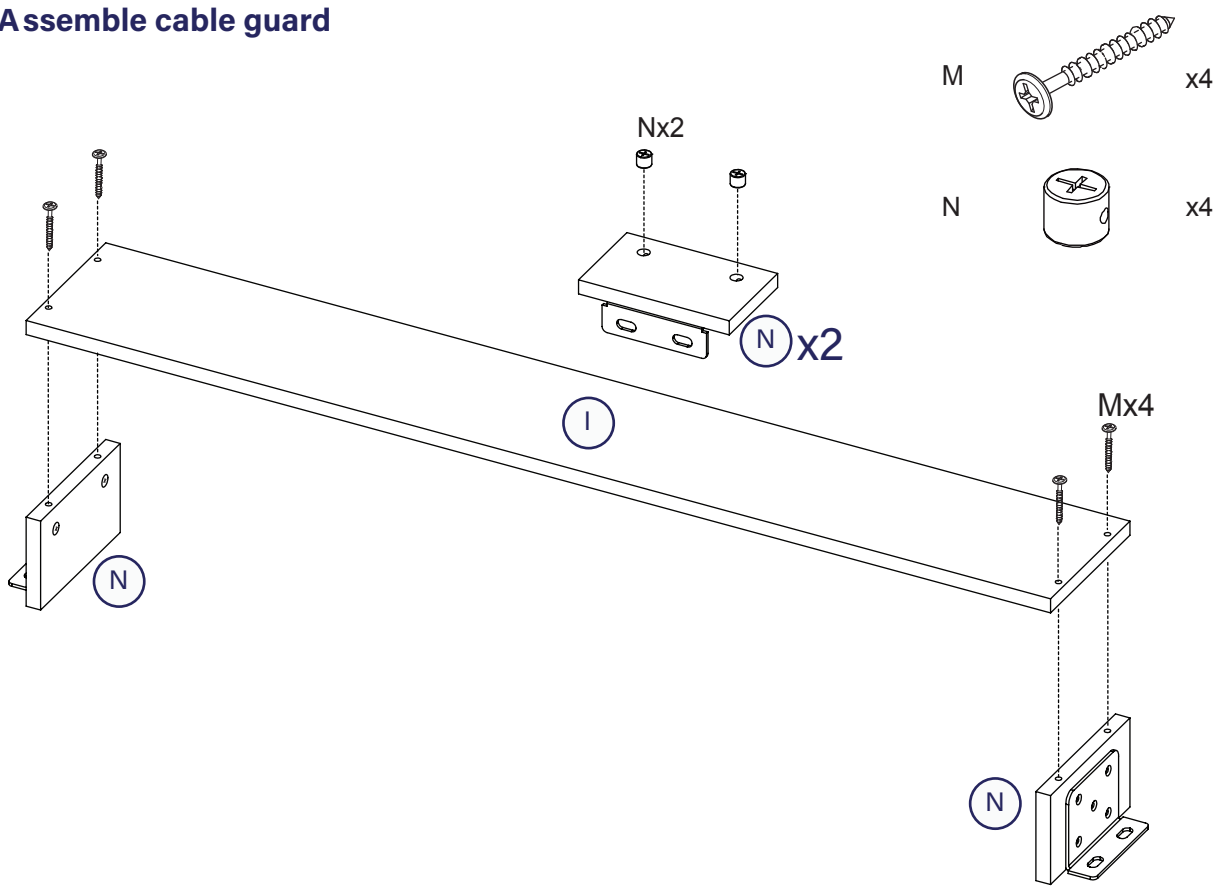
- a  x4
- c  x4
- d  x1

**Fit remote control holster to left or right**

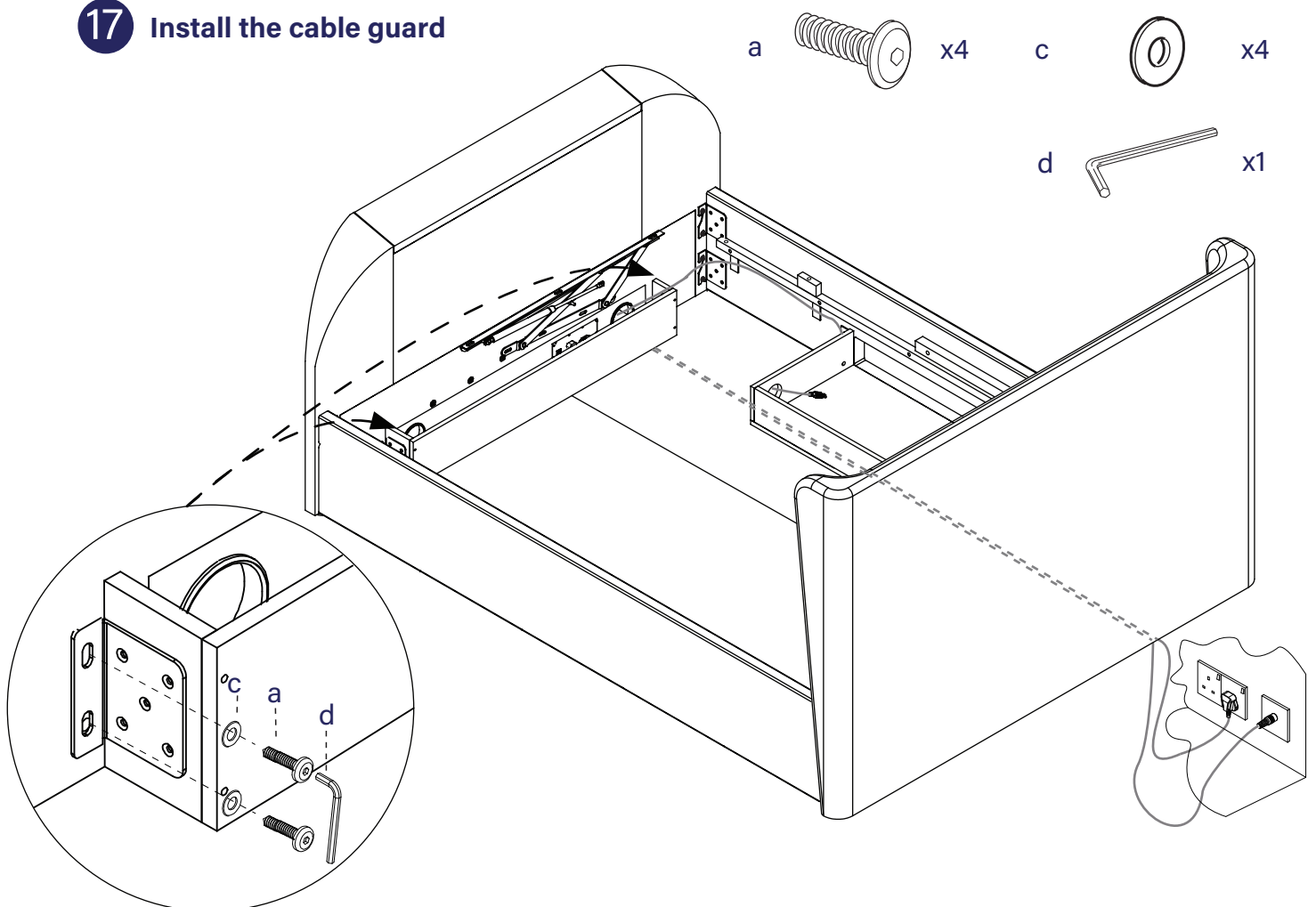




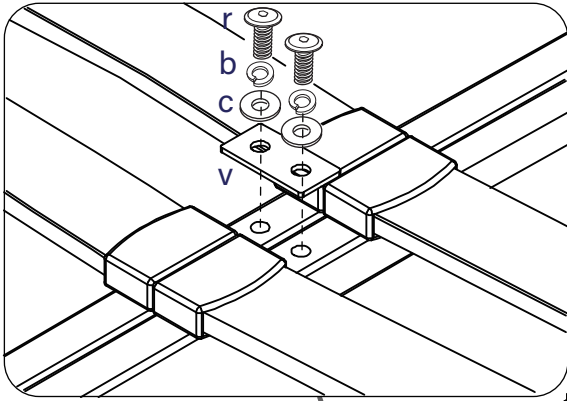
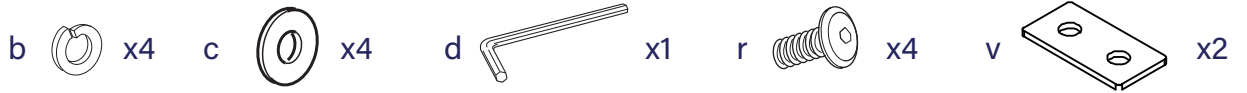
## 16 Assemble cable guard



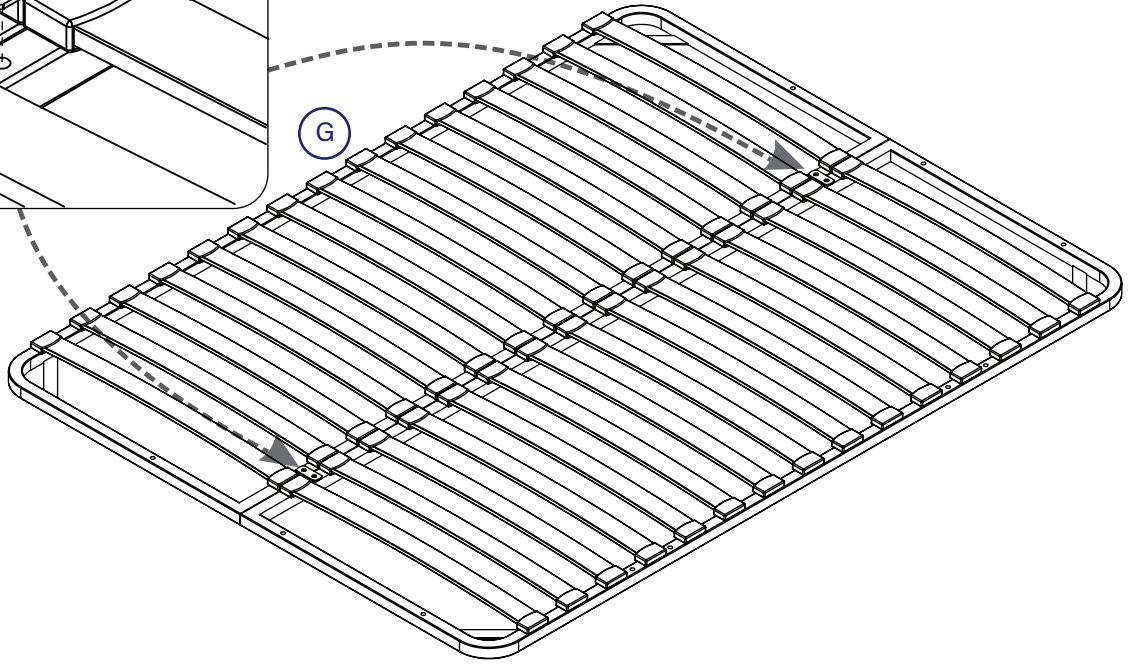
## 17 Install the cable guard



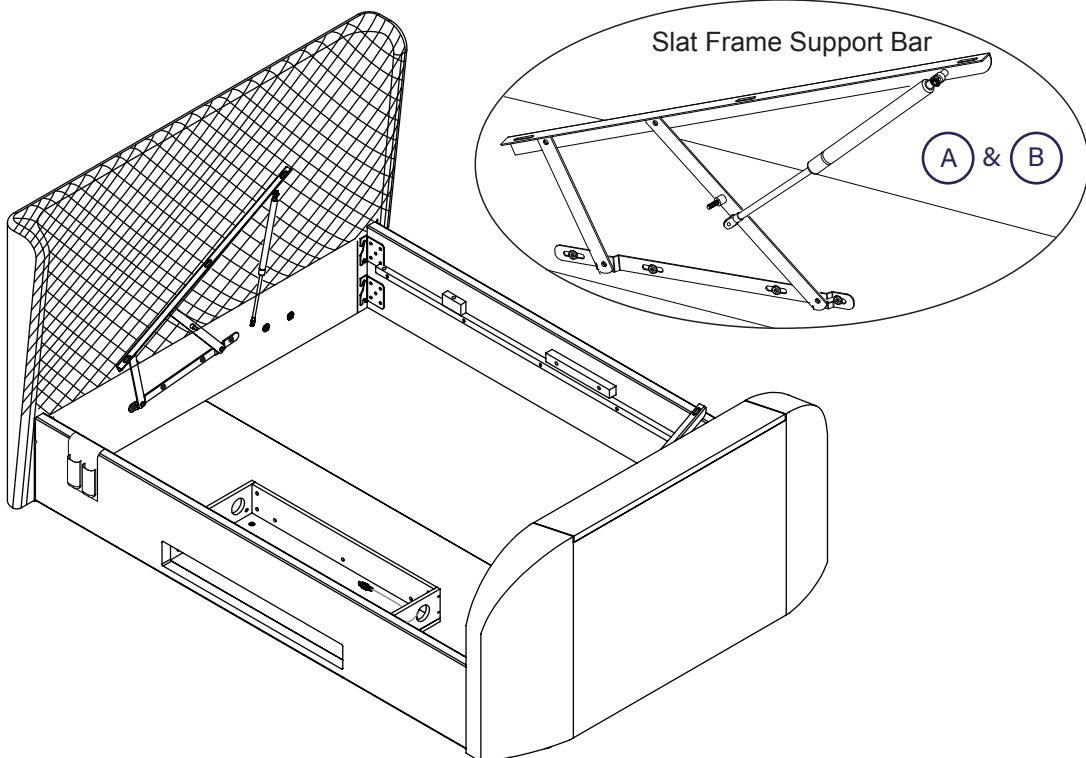
## 18 Assemble slat frame



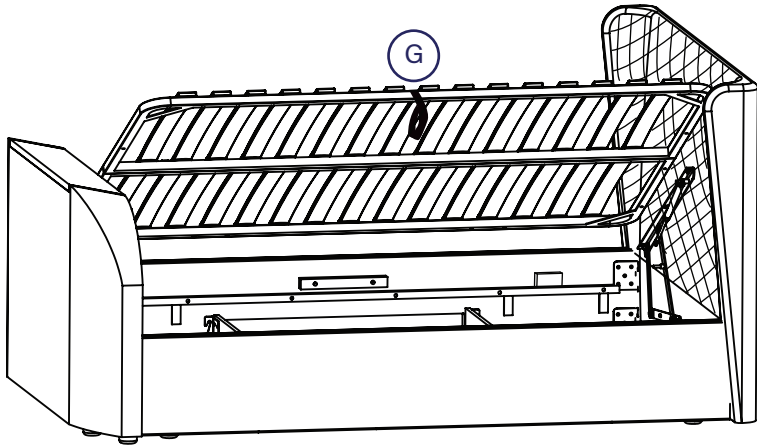
Using four sets of bolts (r) , spring washer (b) & flat washers (c) fit two pieces of the metal plate (v) into threaded inserts on top of the frame. Using Allen key (d), tighten all four bolts 100%.



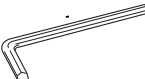
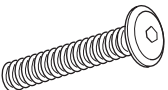




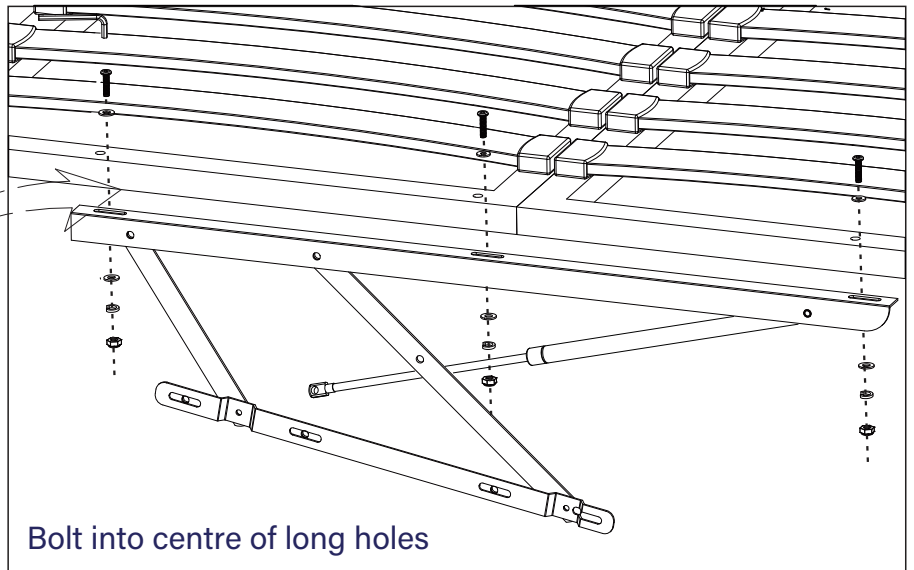
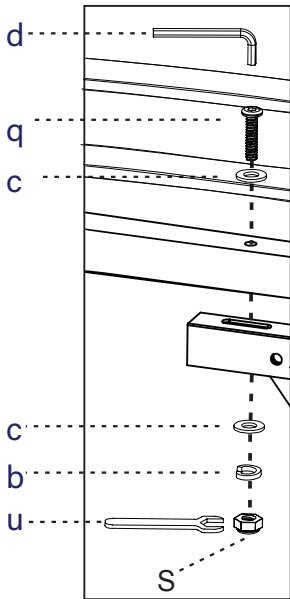
## 19



20

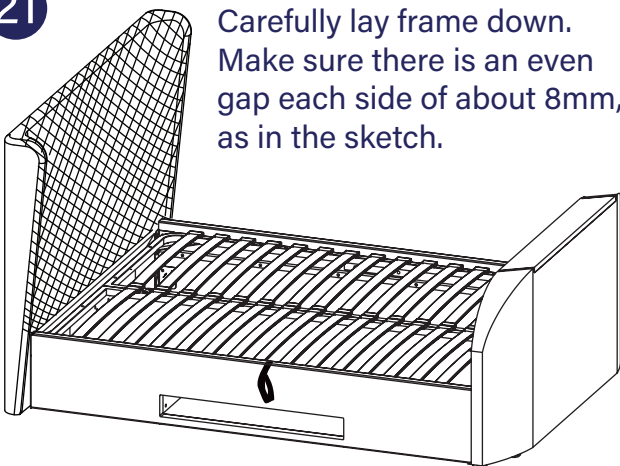


- b  x6      c  x12
- d  x1      q  x6
- s  x6      u  x1

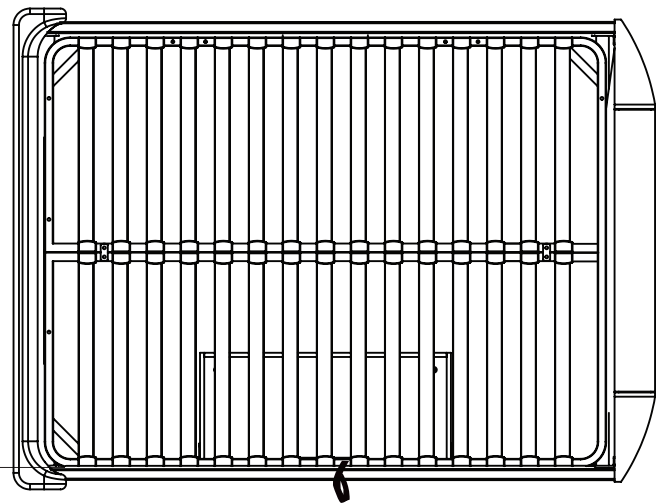
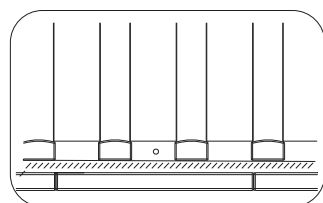


21

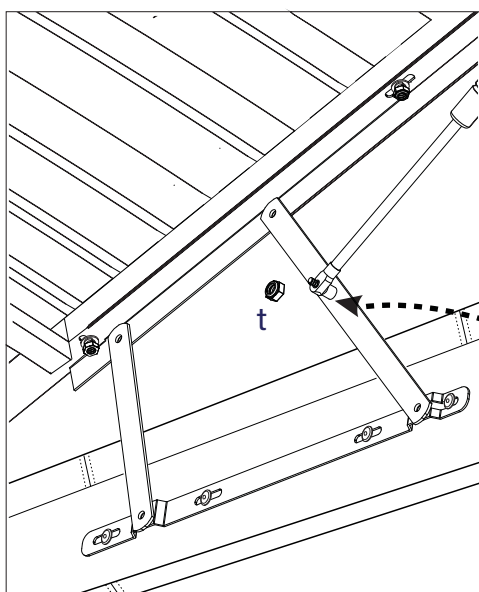
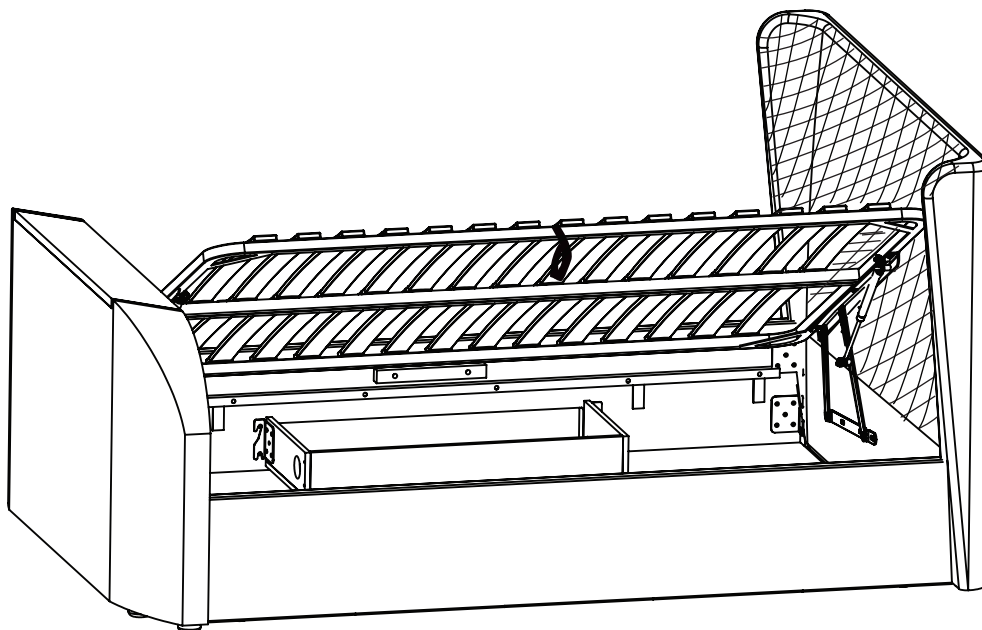
Carefully lay frame down. Make sure there is an even gap each side of about 8mm, as in the sketch.



- d  x1      u  x1

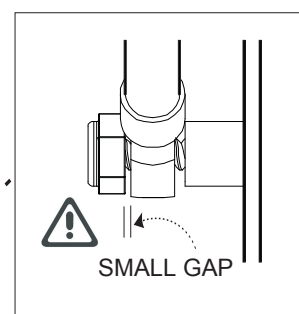
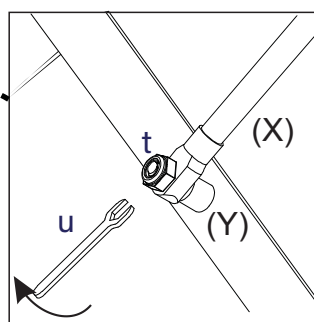


Hold frame then tighten all six bolt sets 100% using spanner (u) & Allen key (d).



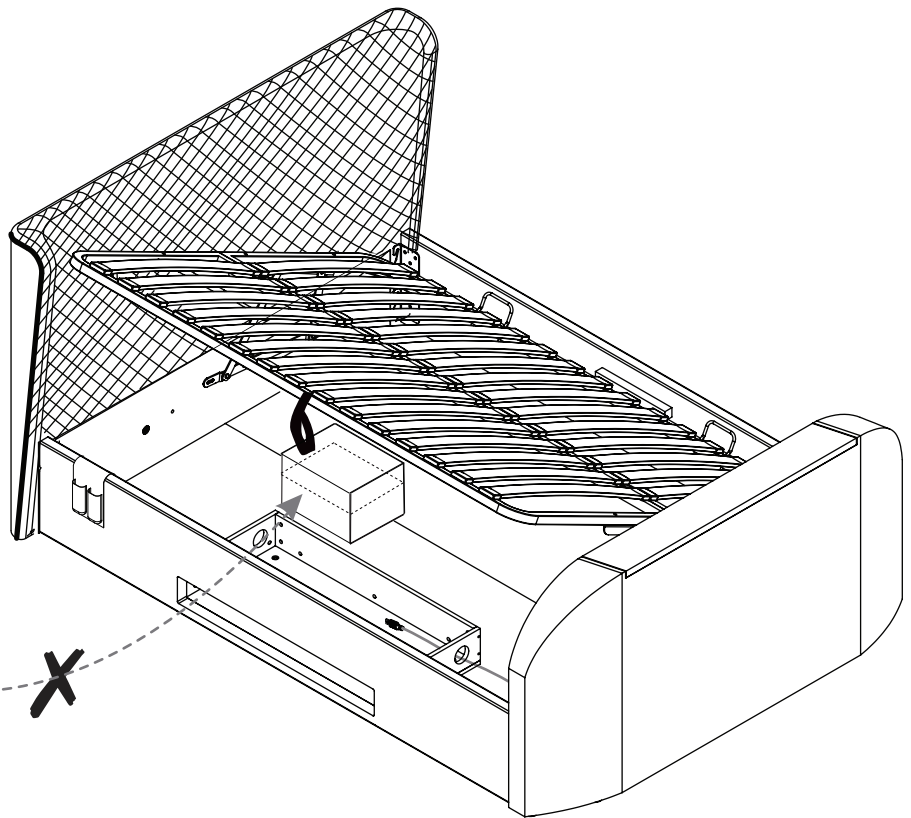
During this next step, the assistant should hold up the slat frame.

On side rails (C & D) slide gas-lift piston stems (X) onto the axles (Y) then fit the flange lock-nuts (t).



**Tighten nuts with spanner (u) - but DO NOT over-tighten, a small gap needs to be left so stems can move freely - this is important - see sketch above.**

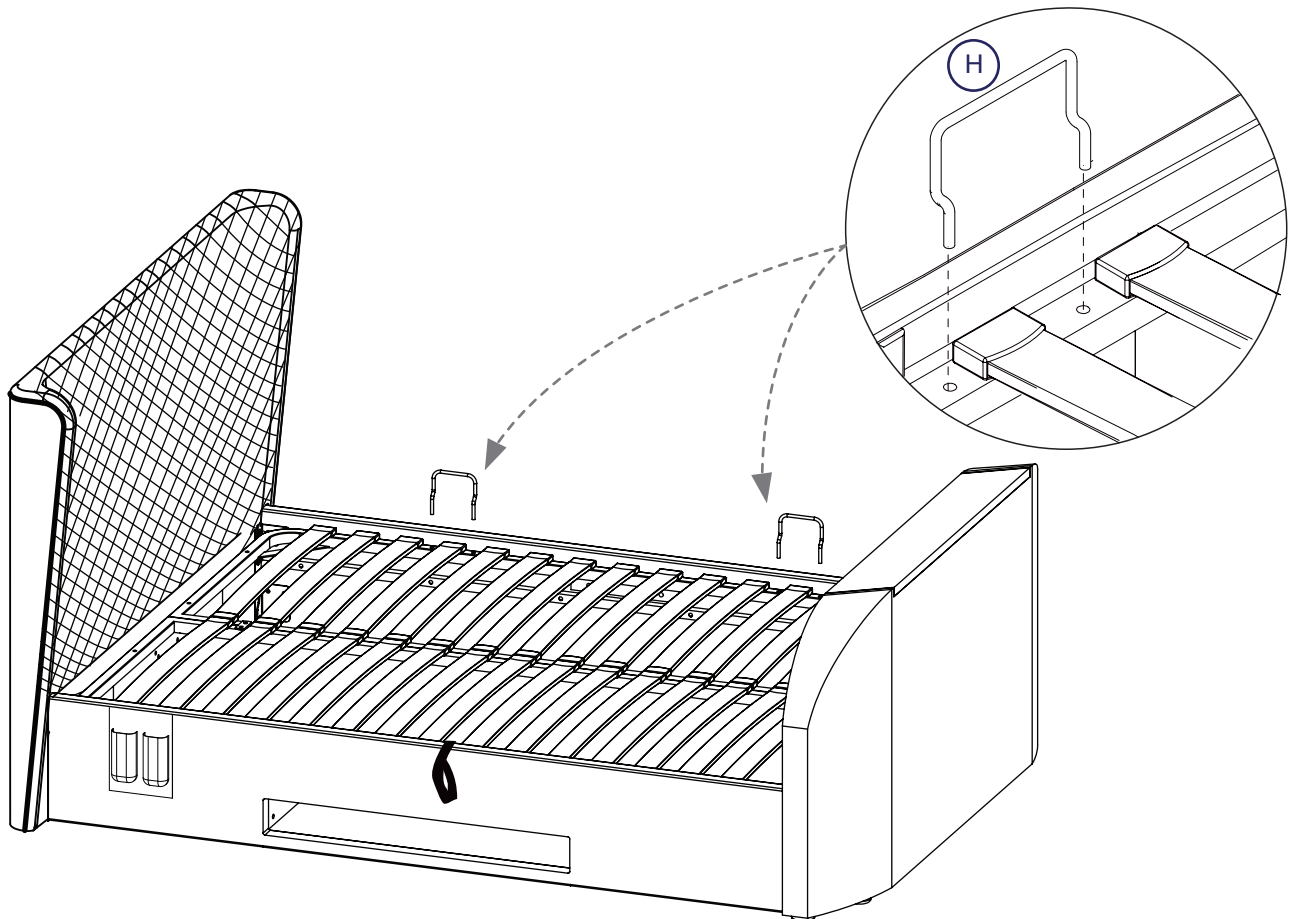
23



Note: Be very careful what you store under the bed - the top of an item, like a suitcase or a box, must not touch the slats or they shall be damaged. Maximum storage height is 260mm.

24

### Fitting mattress stoppers

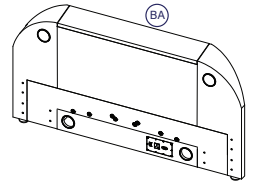
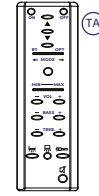


# If the AUDIO version was selected, please follow this guide

## AUDIO OPERATION GUIDE

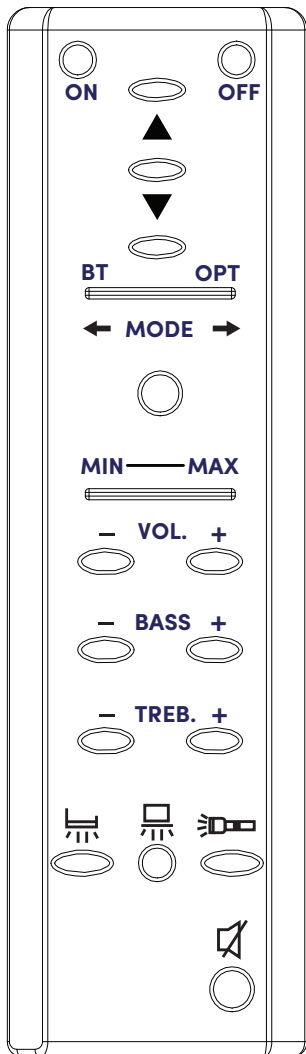
Parts list item code for footboard is (BA).

Parts list item code for the 2.1 remote control is (TA)



### SEOUL 2.1 STEREO SYSTEM

#### REMOTE CONTROL (TA)



#### TURN AMPLIFIER ON or OFF.

- 1) Turn on the mains power to the TV Bed.
- 2) Press the Remote Control (RC) ON button for 2 seconds to synchronise and prepare the system, system voice shall say 'Power On'.
- 3) When finished press the OFF button for 2 seconds.



#### LIFT or LOWER THE TV.

Press once and TV will rise to it's upper working position. Power to the TV will be connected automatically - operate the TV using it's Operation Guide.

Press once and TV Lift will stop.

Press once and TV will go down - as soon as the lower resting position is reached power to the TV is switched o to prevent it overheating.

**NOTE: BLUETOOTH WILL WORK NORMALLY WHEN TV IS UP OR DOWN.**



#### SELECT OPTICAL or BLUETOOTH MODE.

Select the required mode by pressing OPT (Optical) to watch TV

or

Select BT (Bluetooth) to connect to your smart device to play music.

Pair your device in the normal way searching for -- 'MY BT'.

Two devices can pair with the system but each will need to disconnect to allow the other to connect.

If device previously connected, system will immediately say PAIRED.

If not previously connected, system shall say PAIRING.

Note you cannot play films through the system from any BT device.



The same blue LED light bar is used to show steps for all the following controls: **VOLUME, BASS & TREBLE.**



#### VOLUME CONTROL

Use --- + or - --- button to increase or decrease the volume.

Note that this control operates step by step and as it is adjusted, the blue LED light bar follows each step until full volume is reached, then the blue lights are all on.



#### BASS CONTROL

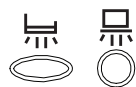
Adjust the Bass attenuation - these buttons increase or decrease the lower frequencies of the sound.



#### TREBLE CONTROL

Adjust the Treble attenuation - these buttons increase or decrease the higher frequencies of the sound until the preferred sound level is achieved.

Note: if higher frequency sound is reduced, the volume of the sound appears to be reduced too - this is normal.



These buttons are to control the lights when fitted - they are not fitted in this version of your TV Bed.



This button switches on the torch.



#### MUTE

This button turns the sound o and back on again .



### Overall Dimensions (LWH mm)

Double: 2270 x 1605 x 1160

King: 2370 x 1755 x 1160

### Internal Dimensions (LWH mm)

Double: 1930 x 1385 x 260

King: 2030 x 1535 x 260

### Media Tray

#### Dimensions, (WDH mm)

1100 x 400 x 133

#### Distance between slats (mm)

Double & King: 70

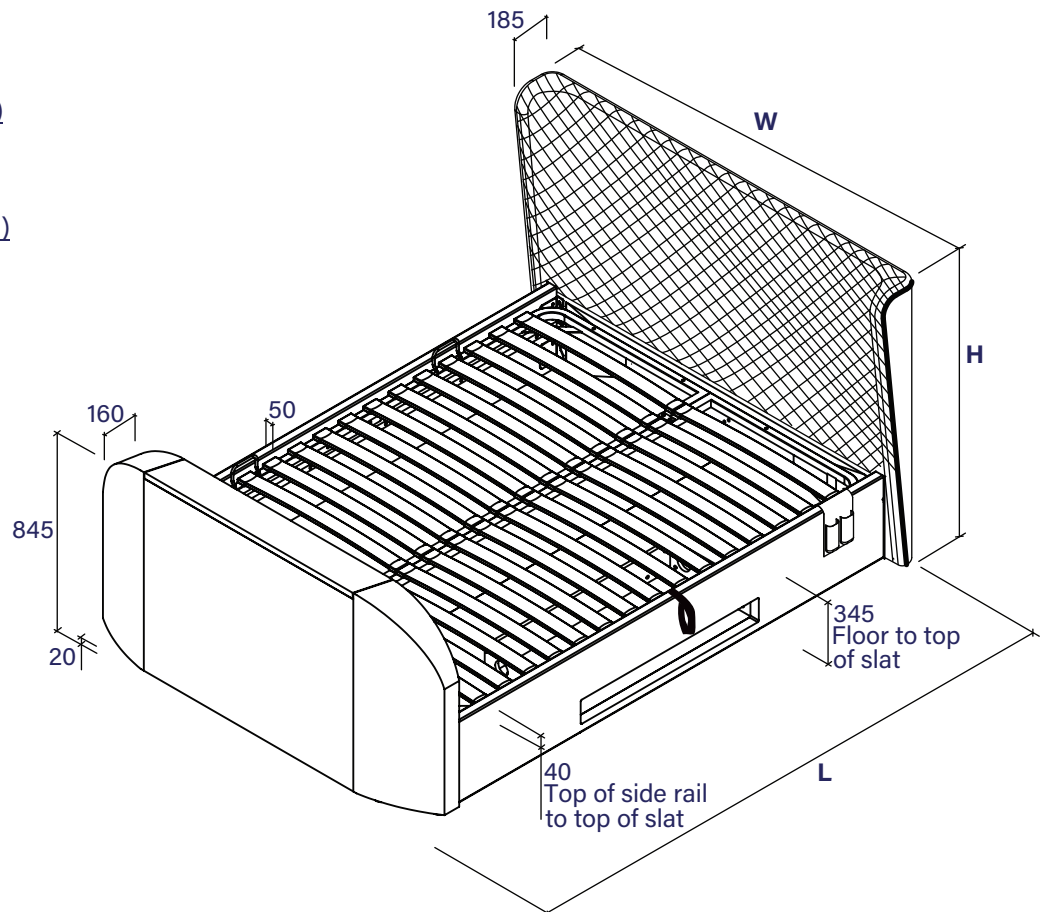
### Ottoman Piston Rating

Double, King: 750 N

### Slat Dimensions (LWH mm)

Double: 670 x 53 x 9

King: 745 x 53 x 9



## Care and maintenance

Here are some tips to keep your new bed in tip-top condition



### Cleaning

To clean your new bed, we'd advise using a warm damp cloth or if fabric, remove dust using a low suction vacuum cleaner.

Please do not use abrasive chemicals or bleach as this may damage the product.



### Checking and moving

Periodically we recommend you check that the screws or fixtures haven't become loose over time. To move your new bed, we recommend lifting it where possible, as dragging or pushing it could cause damage to the legs or flooring.



### Wood

Please note each of our wooden pieces are unique, meaning that markings and shade can vary slightly between beds. Over a period of time, the wood might lighten or fade slightly due to light exposure.



### Fabric

Please note depending on the lighting, positioning and surroundings of your room, the shade of the colour can sometimes appear slightly different. Over a period of time, the colour might lighten or fade slightly due to light exposure.



### Metal

Metal tends to be more resilient to everyday wear and tear. We recommend to gently dust your metal furniture and keep it dry to maintain its look.

**Thank you for shopping with us - we hope you have a great night's sleep.**

*Sleep well*



# TV BED SAFETY INFORMATION

## GENERAL INFORMATION

It is very important not to place any vessel containing liquids, e.g. drinks or vase of flowers, on top of the TV footboard which may accidentally spill and enter the TV compartment as this could cause damage to the TV and/or the TV lifting equipment. If this happens, please contact Customer Services - ring 0800 652 6750.

Do not expose the bed to an undue level of heat - keep away from radiators.

Never allow anyone to sit on the foot end of the bed - keep children well away from moving parts.

To keep the bed clean, we recommend that it be wiped over with a slightly dampened cloth or if fabric use a light vacuum cleaner; disconnect power before cleaning.

Supplied with the TV bed is a remote control to operate the TV Lift and when you fit your own TV there is a remote control to operate that as well.

Both these remotes use batteries, there are strict controls for disposal of batteries - your local council can advise on how to safely dispose of them. Never burn batteries on an open fire as they could explode.

## IMPORTANT POWER INFORMATION

It is essential that the Mains Power Lead is connected to an earthed socket be it a wall socket or extension lead - otherwise there is risk of damage or even electric-shock.

The socket providing the power must be accessible at all times in case one needs to switch off the supply quickly.

During an electrical or lightning storm - disconnect the power completely as a precaution.

Always un-plug the power when going on holiday or when the bed is not used for an extended period.

If you have young children in the home always disconnect the power at the wall socket for extra safety.

Power outlets, extension leads or adapters must not be overloaded beyond their limit - this can result in fire or electric shock.

Cables or leads supplied with this bed, or other approved mains powered extension leads used to power your own equipment, must not be placed where they can be walked on - this is dangerous and could lead to accidents.

Do not interfere with or modify any cables already fitted and do not add any extra media leads unless they are routed through the ducts as shown.

All leads must be tightly connected to back of TV using cable clips provided, never hanging loose.

Never touch moving parts or any part of the equipment - if something needs to be checked, disconnect the power first.

Do not insert anything into the footboard as this could seriously damage the TV and/or the TV lifting equipment and could, if done carelessly, cause serious damage or injury.

If the equipment doesn't operate normally or if there is an unusual noise, disconnect the power.

## TELEVISION INSTALLATION

Please follow the television installation instructions below.

Raise the TV Lift by pressing the Up button of the remote control.

Connect the Aerial & HDMI cable by passing down the appropriate duct.

Connect the TV to the mounting bracket as appropriate.

If necessary mounting bracket can easily be adjusted up or down to align with upper fixing holes on rear of TV.

Connect the TV Power Lead (supplied with the TV) by passing plug down one of the ducts, plugging it into an adapter if supplied, then into the TV power socket which is on the face of footboard. This socket is only to be used for the TV as for safety reasons, the power supply to it is not constant.

If required, connect your own media cables through either of the ducts - connect your media equipment when ready.

Please use the cable clips & cable ties to make certain there are no loose wires hanging loose that might get trapped.

The TV can now be operated following the TV Operation Guide supplied with your TV.

When finished viewing, lower the TV back into the footboard by pressing the Down button of the remote control, the TV will retract into the footboard automatically - power shall be turned off when TV reaches the rest position to prevent overheating.

When the Up button is pressed - the TV Lifting Column rises and power to the TV turns back on automatically.

## TROUBLE SHOOTING

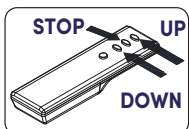
If your equipment does not operate please check all the power connections from wall to the socket in the footboard.

Make sure TV is switched on. (Note: TV will only work when it is in the up position).

If you cannot resolve an issue or still have a problem or need help, please contact Customer Services for advice.

**IMPORTANT: Care should be taken when connecting electrical items. If you are in any doubt about the correct connections to your TV Bed, please consult an approved electrician.**

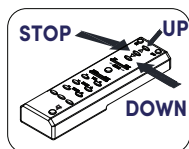
Occasionally you may find the radio wave connection between remote control and TV Lift is lost, probably due to atmospheric conditions. In that case please follow these simple instructions:



(Non Audio)

①. Disconnect all mains electric power to the bed, for at least 60 seconds.

②. Press UP or DOWN Button on TV Lift Remote Control and keep holding button down, simultaneously re-connect mains electric power to bed keeping button down for at least a further 5 seconds. TV Lift unit receives signal from Remote Control and lift will begin to move UP or DOWN whichever direction was chosen.



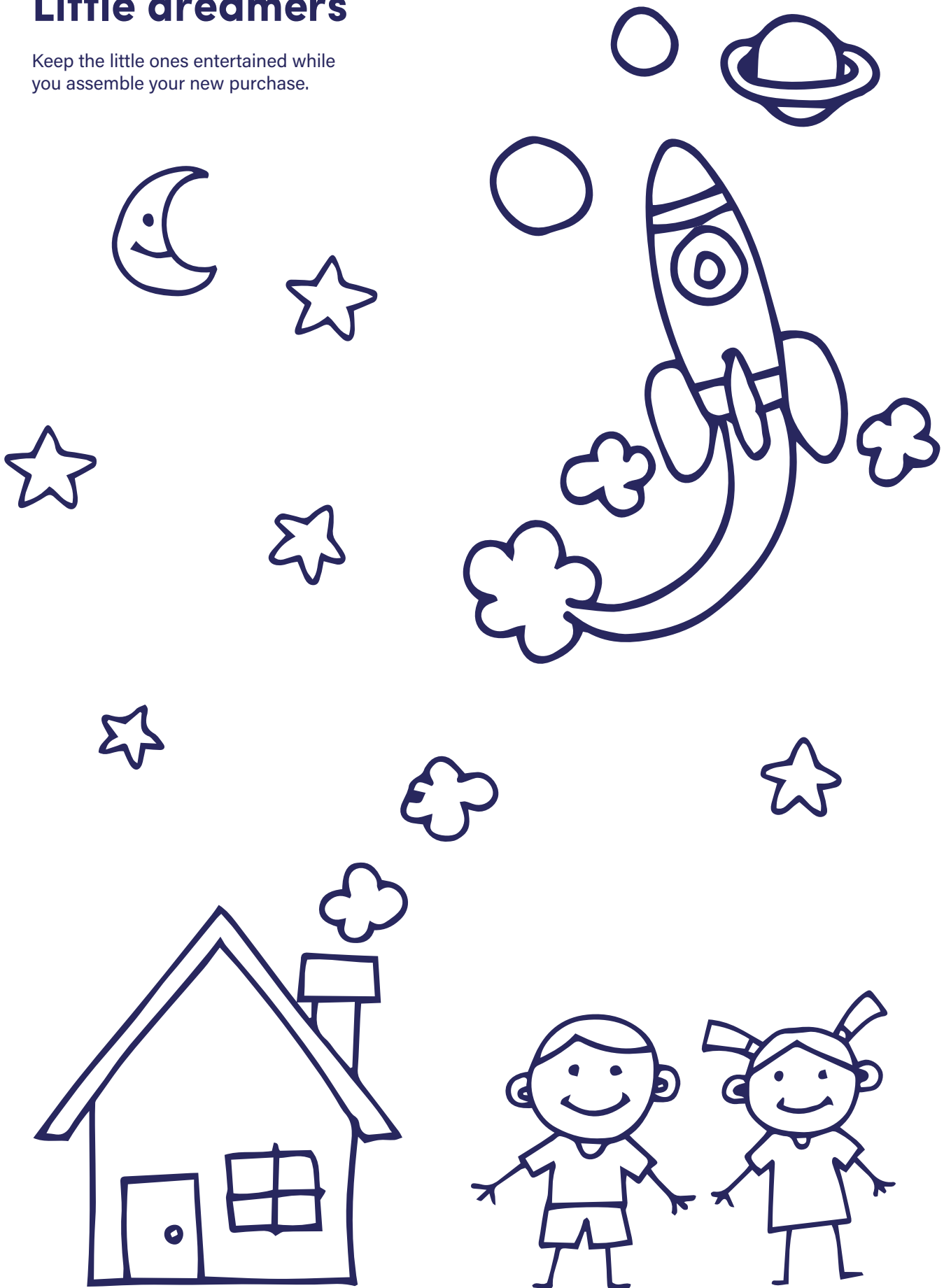
(Audio)

③. Re-connection is now completed.



# Little dreamers

Keep the little ones entertained while you assemble your new purchase.



**Dreams**

