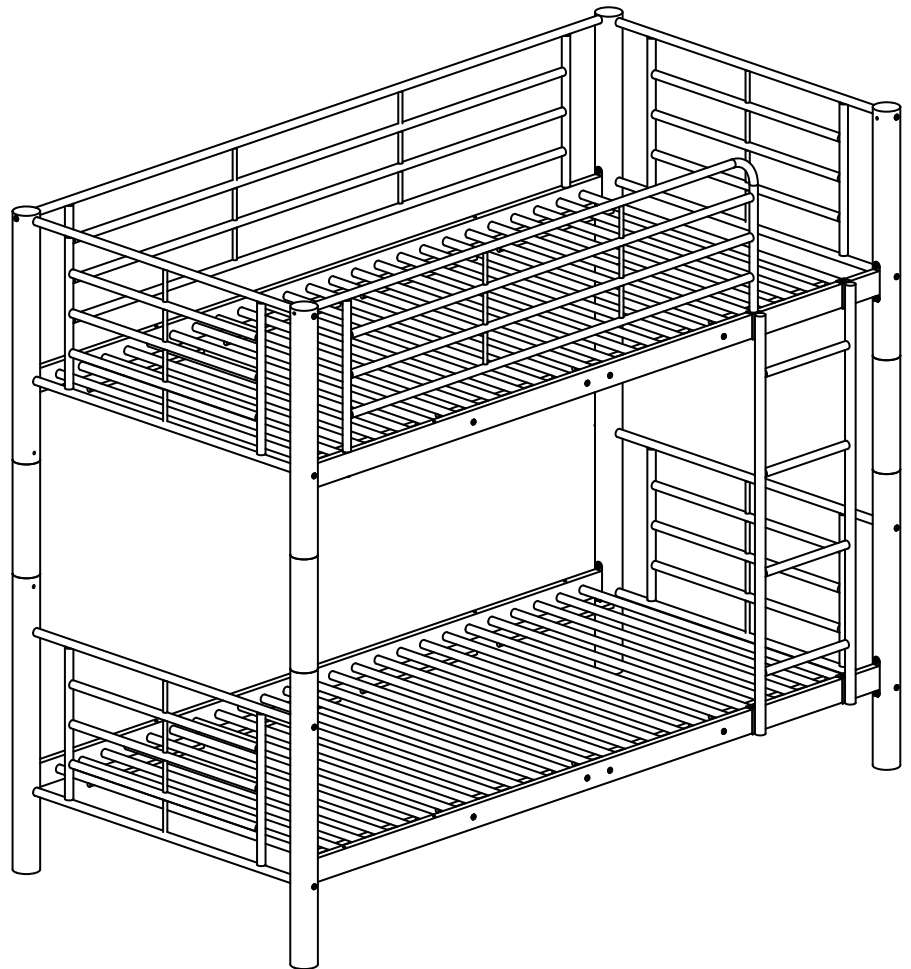


Jade Single Bunk

Assembly Instructions

Dreams

Dimensions mm	Length	Width	Height
Single	2010	1000	1600



Helpful advise before you begin:

1. We suggest you spend a short time reading through this leaflet and then follow the simple step by step instructions.
2. If you follow the instructions carefully the end result should be worth the effort.
3. Do not discard any of the packaging until you have checked that you have all the parts and the pack of fittings.
4. Assemble this product on a carpet.
5. To ensure an easier assembly, we strongly advise that all fittings are only finger tightened during initial assembly. Only upon completion of the assembly should all fixing points be fully tightened.
6. We recommend a periodic check on all fixing points to make sure they remain fully tightened.
7. Keep glue and fittings out of children's reach.
8. Do not use any other tools other than those recommended to build this product.
9. Please do not use substitute parts. Use only additional or replacement parts supplied by Dreams Ltd.
10. In the unlikely event that this product has missing or damaged parts, please call 0344 292 0000 to obtain spares.



You will require a cross head screwdriver



2 x people recommended to assemble this product



Approximate time to assemble this product



Retain these instructions for future reference



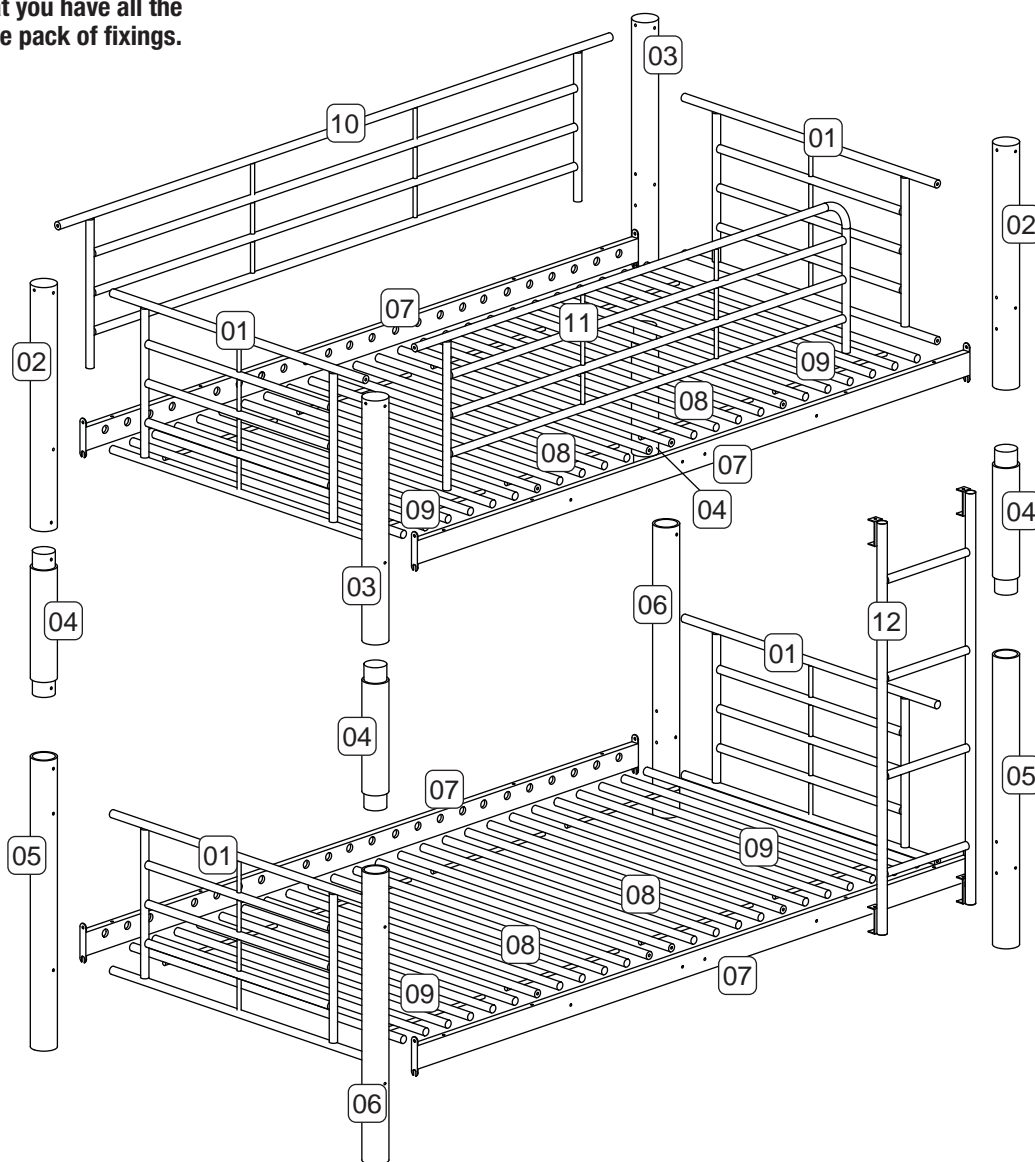
Do not discard any of the packaging until you have checked that you have all the parts and the pack of fixings.

Parts Checklist












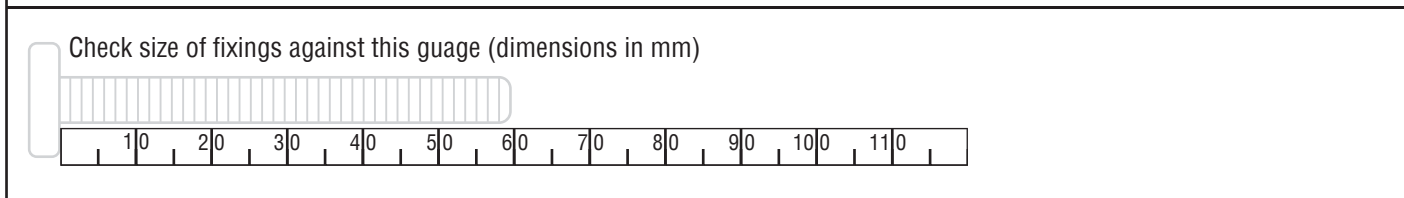
Do not discard any of the packaging until you have checked that you have all the parts and the pack of fixings.

- 01 Base Head Frames x4pcs
- 02 Top Bed Legs 2pcs
- 03 Top Bed Legs x2pcs
- 04 Connect Round Tubes x4pcs
- 05 Base Legs x2pcs
- 06 Base Legs x2pcs
- 07 Side Rail x4pcs
- 08 Bed Connectors x4pcs
- 09 Bed Connectors x4pcs
- 10 Inside Frame
- 11 Protect Frame
- 12 Ladder



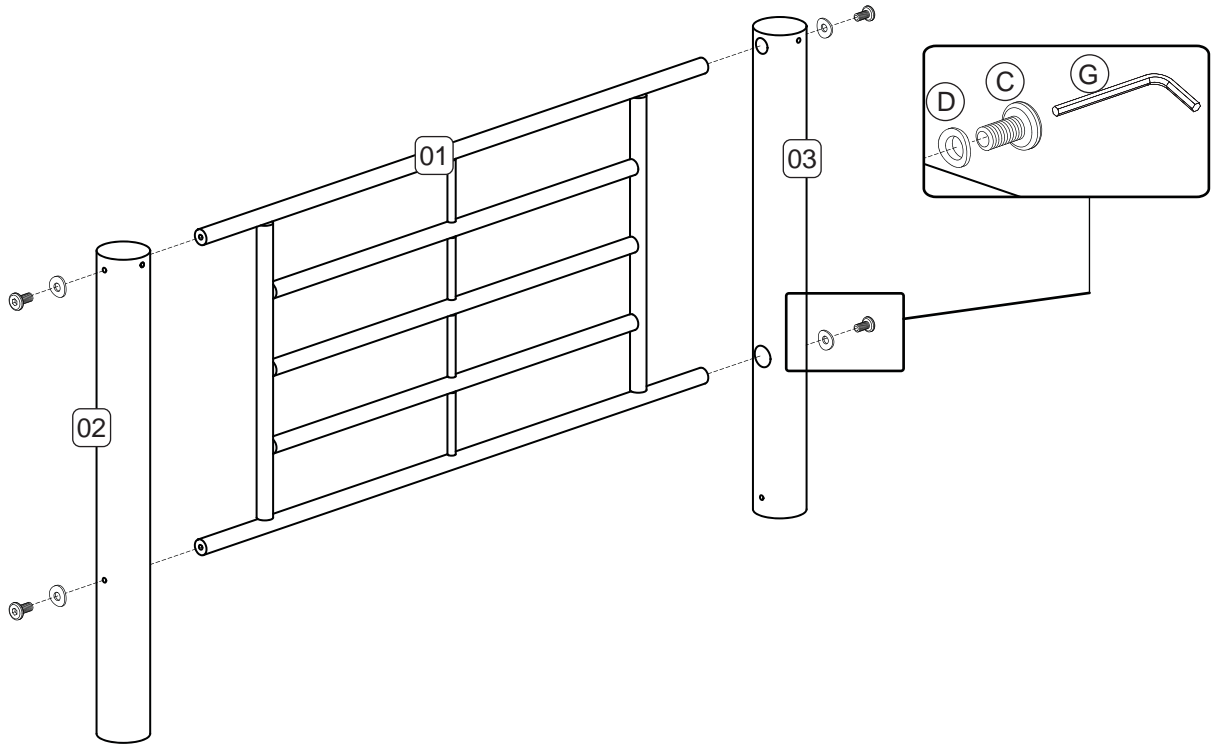
Fittings Checklist

<p>Ø6 x 65mm Bolt</p>  <p>Ⓐ x 7</p>	<p>Ø6 x 45mm Bolt</p>  <p>Ⓑ x 3</p>	<p>Ø6 x 20mm Bolt</p>  <p>Ⓒ x 56</p>
<p>Washer</p>  <p>Ⓓ x 27</p>	<p>M6x18 Nuts</p>  <p>Ⓔ x 3</p>	<p>Caps Dia 50mm</p>  <p>Ⓕ x 8</p>
<p>Allen Key M4</p>  <p>Ⓖ x 2</p>	<p>Caps Dia 10mm</p>  <p>Ⓗ x 28</p>	<p>Round Tube</p>  <p>Ⓘ x 80</p>



Bed Frame Assembly

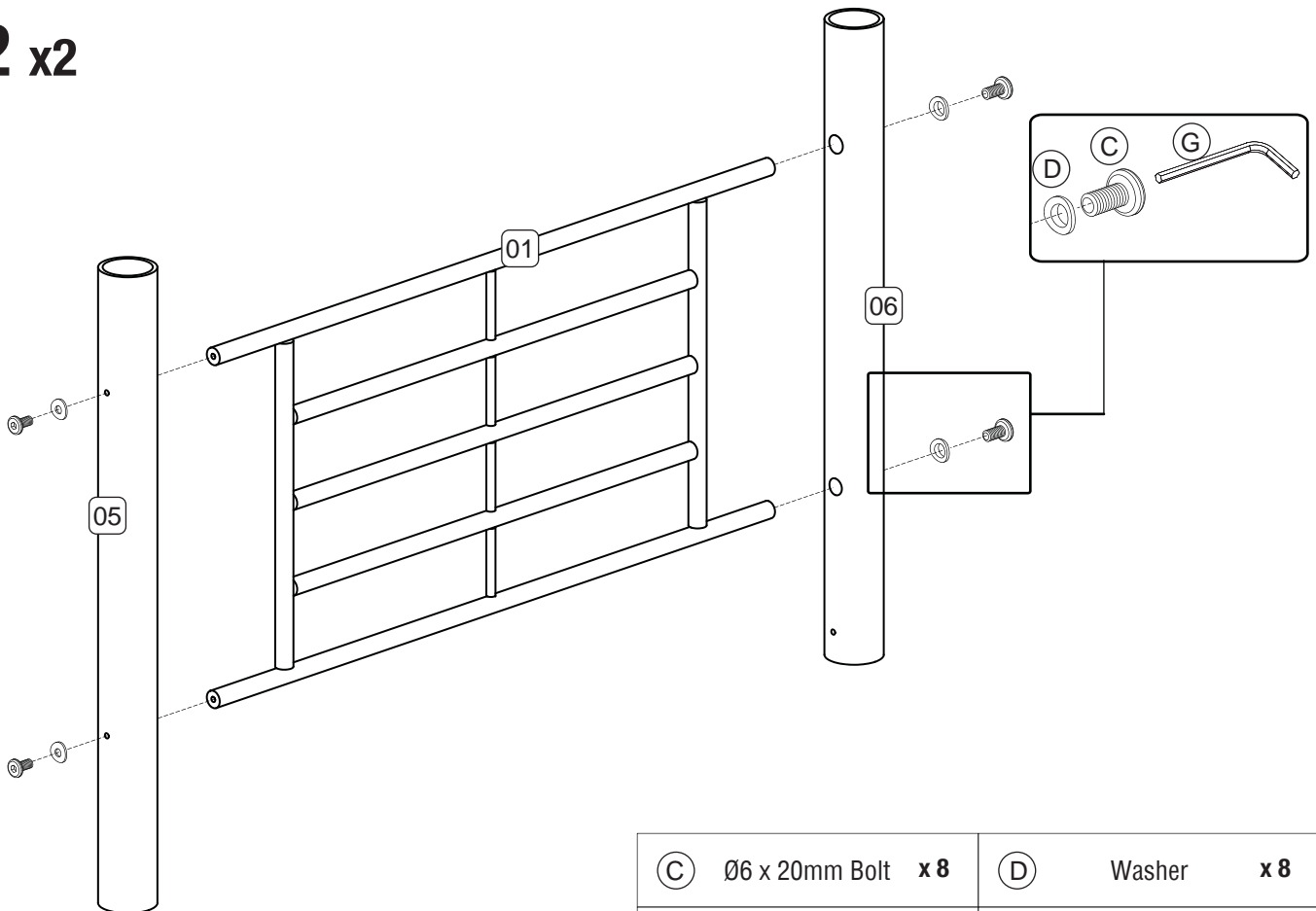
1 x2



(C) Ø6 x 20mm Bolt x 8	(D) Washer x 8	(G) Allen Key M4 x 1
------------------------	----------------	----------------------



2 x2

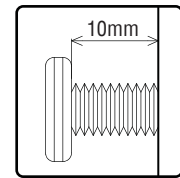
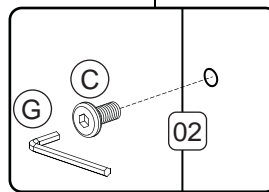
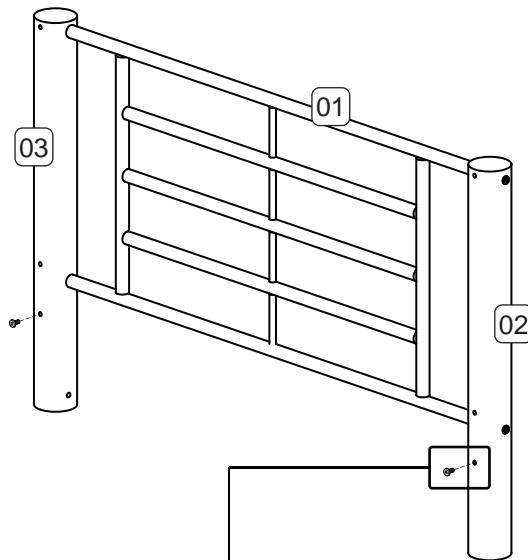
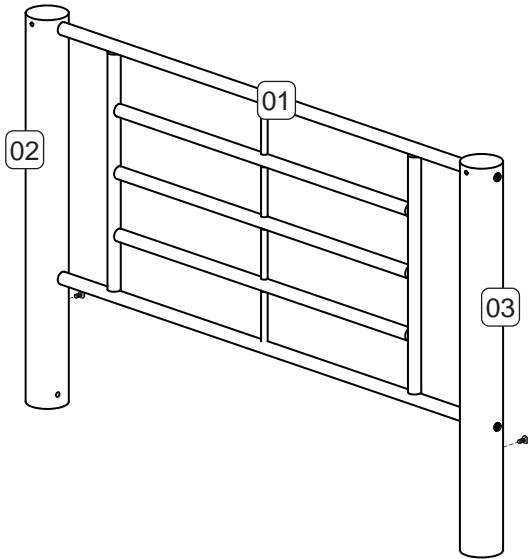


(C) Ø6 x 20mm Bolt x 8	(D) Washer x 8
------------------------	----------------



Bed Frame Assembly

3

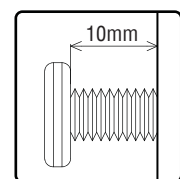
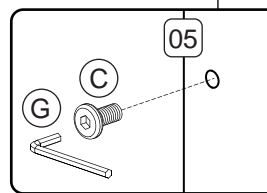
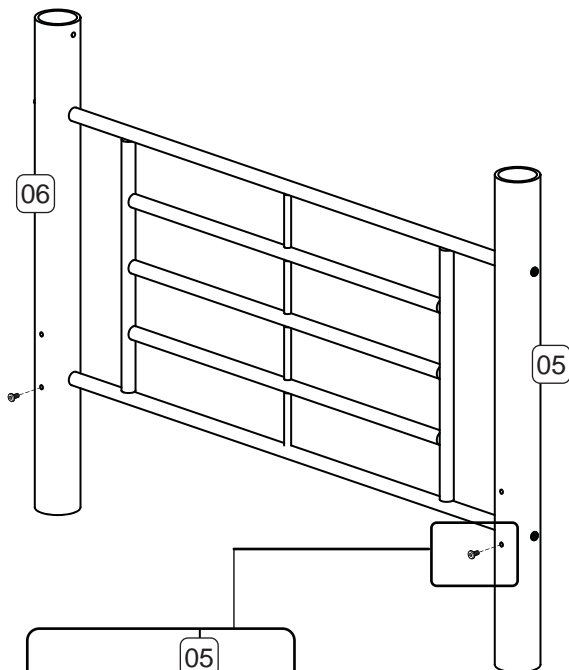
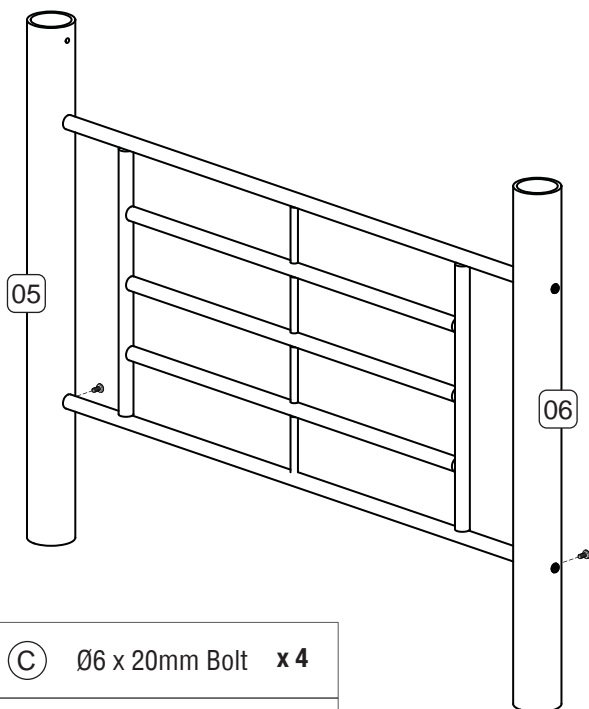


Note: Leave 10 mm protruding as in the diagram.

(C) Ø6 x 20mm Bolt x 4



4

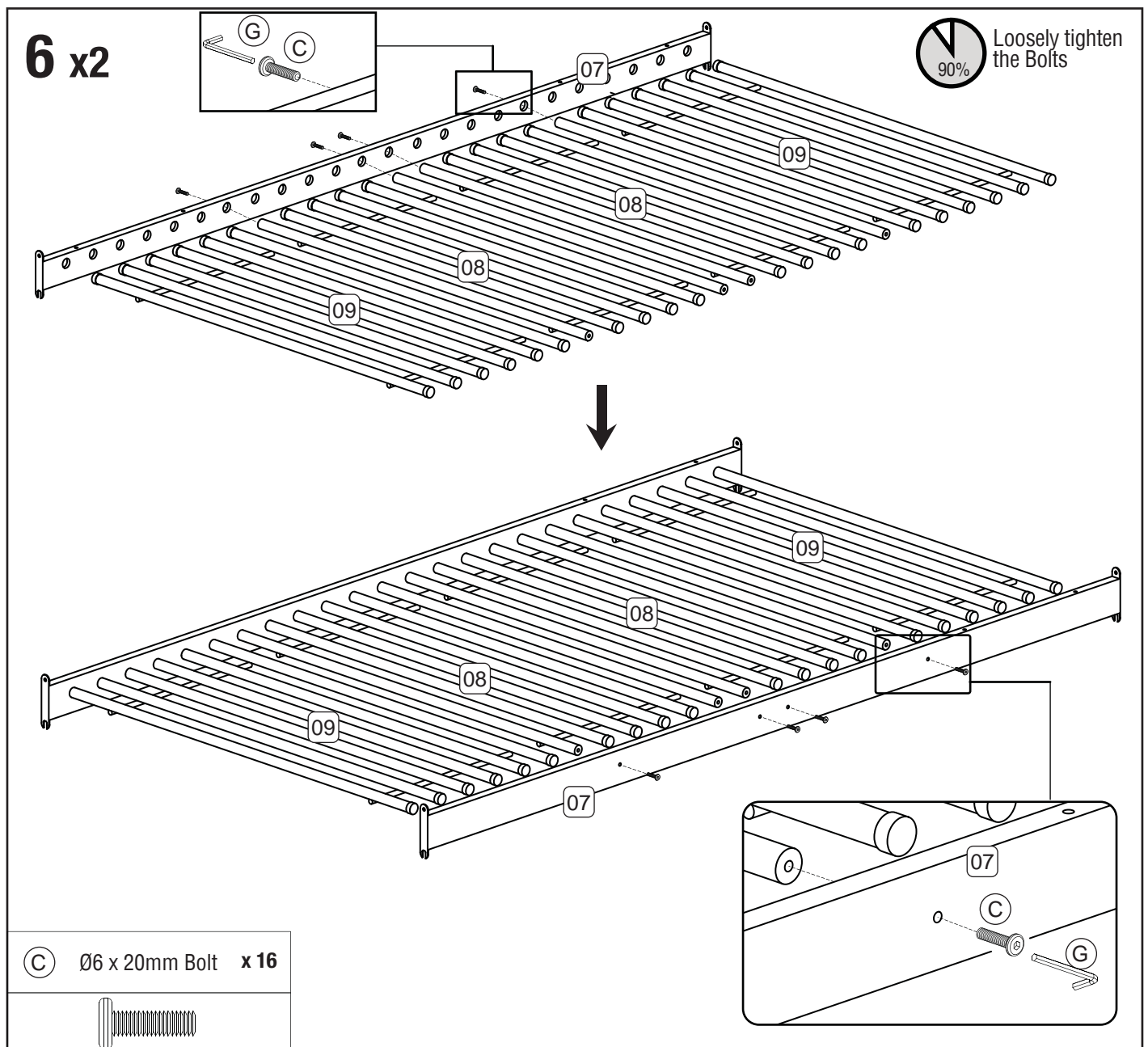
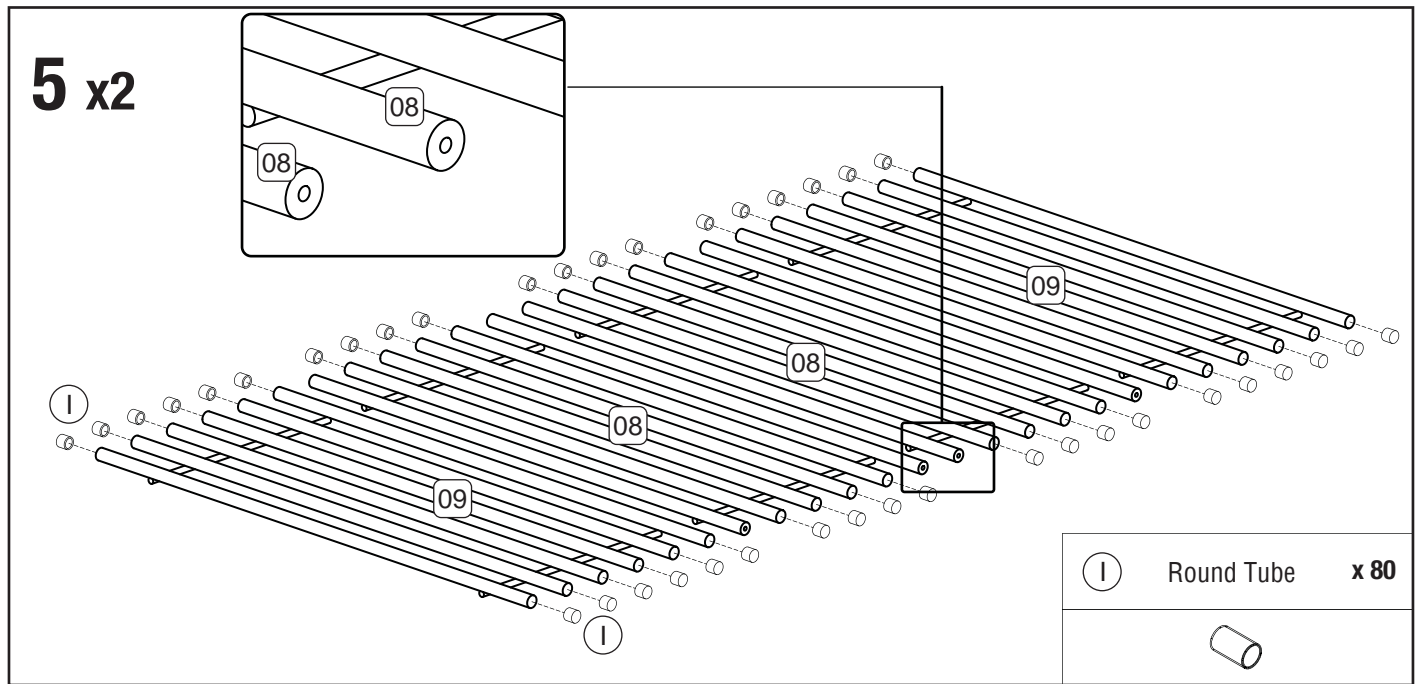


Note: Leave 10 mm protruding as in the diagram.

(C) Ø6 x 20mm Bolt x 4

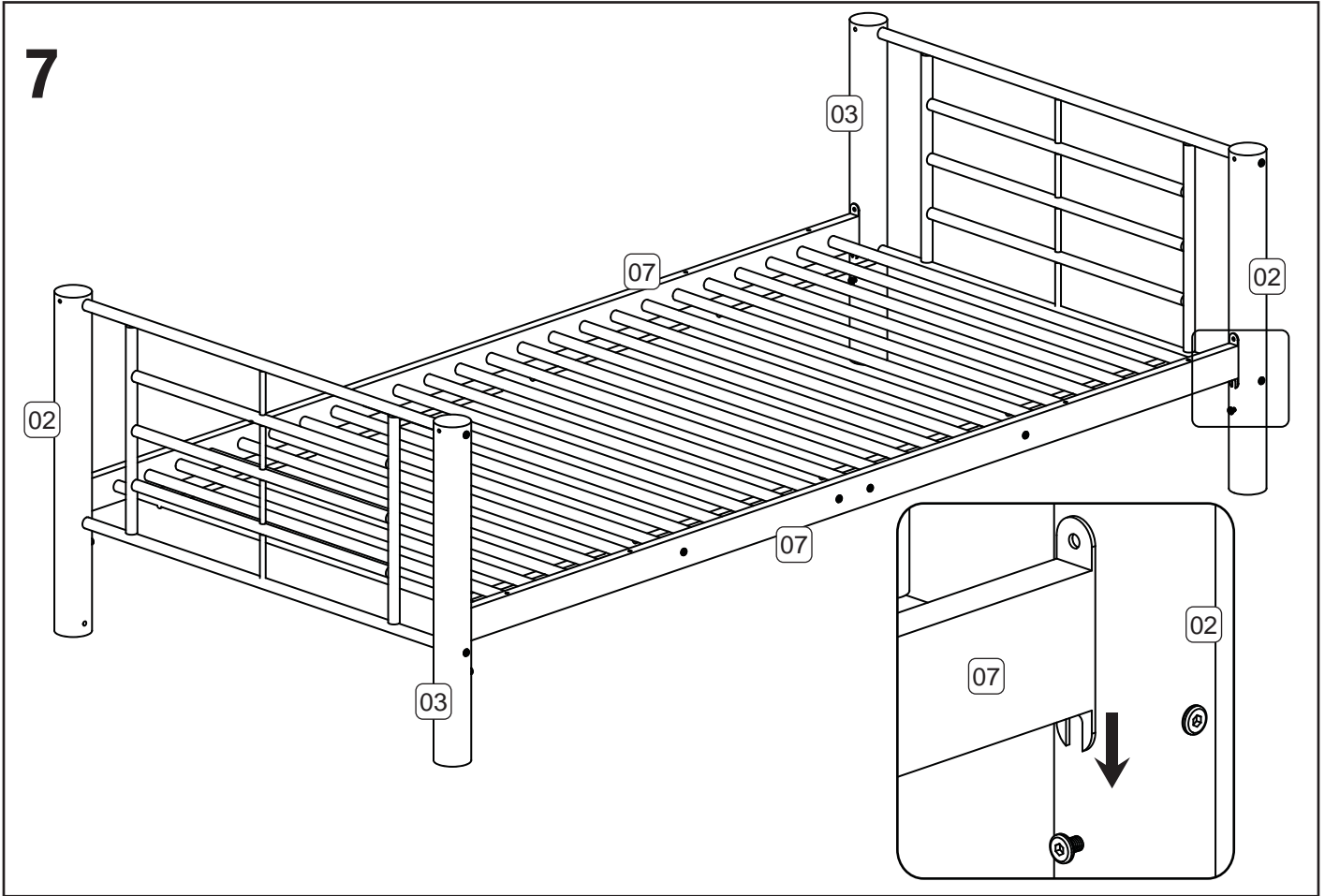


Bed Frame Assembly

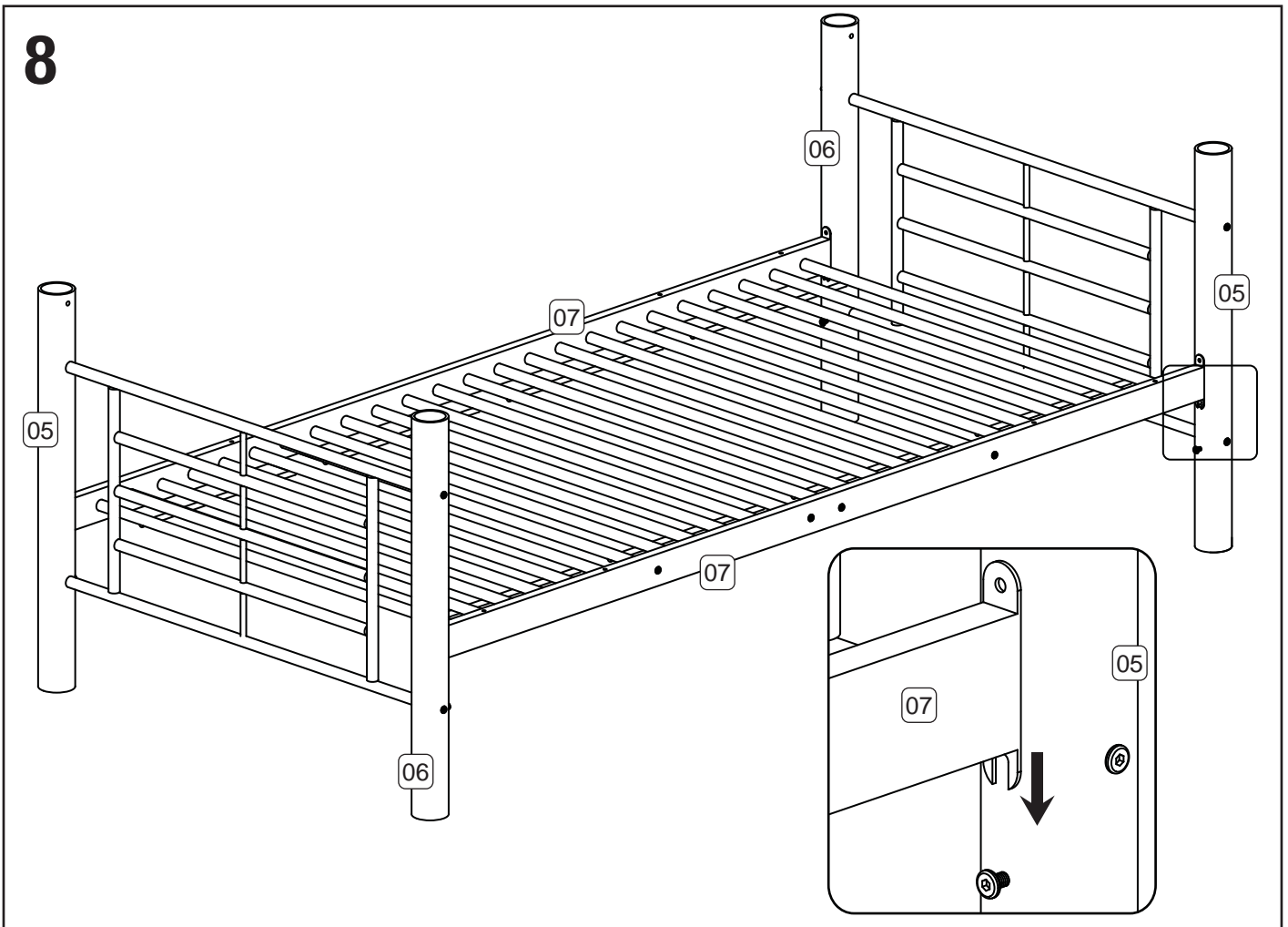


Bed Frame Assembly

7

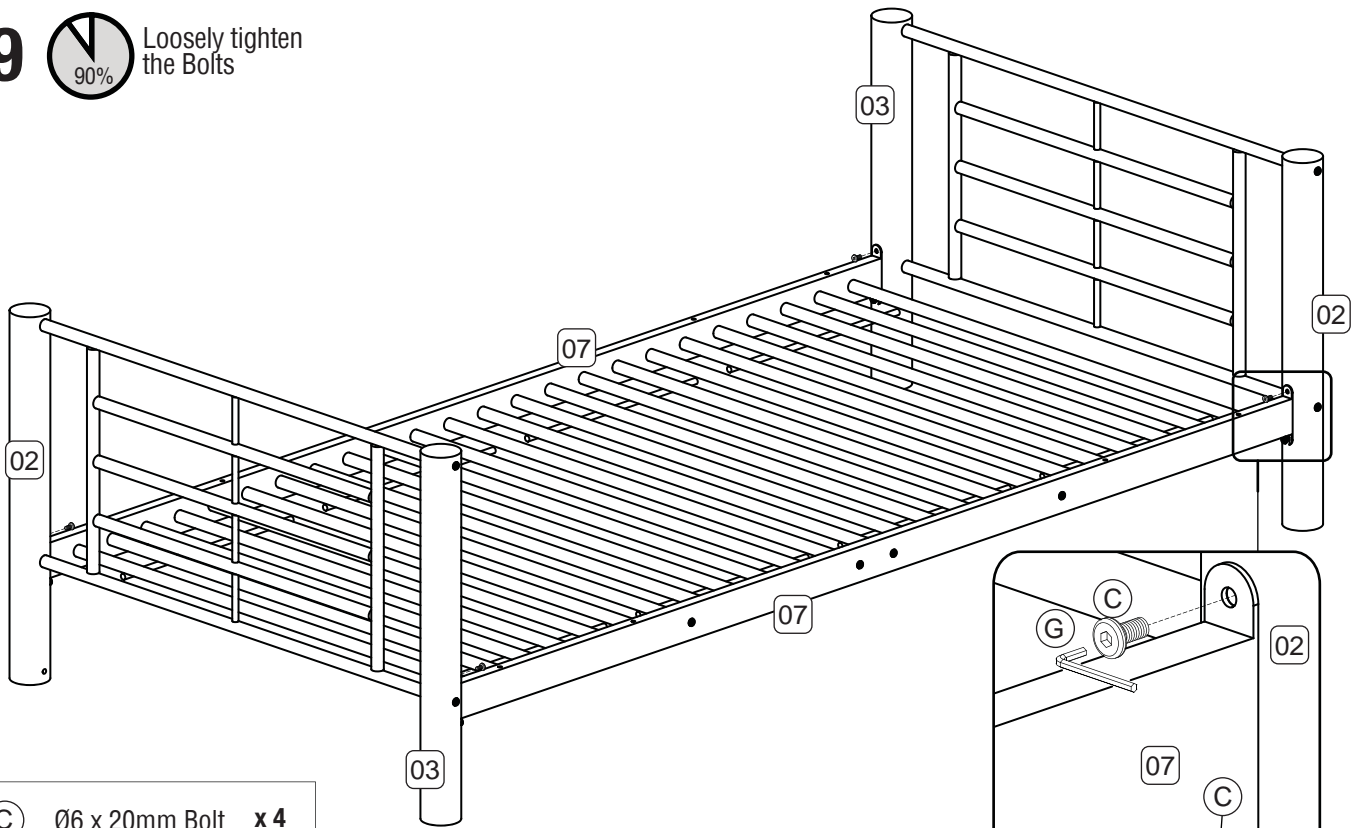


8



Bed Frame Assembly

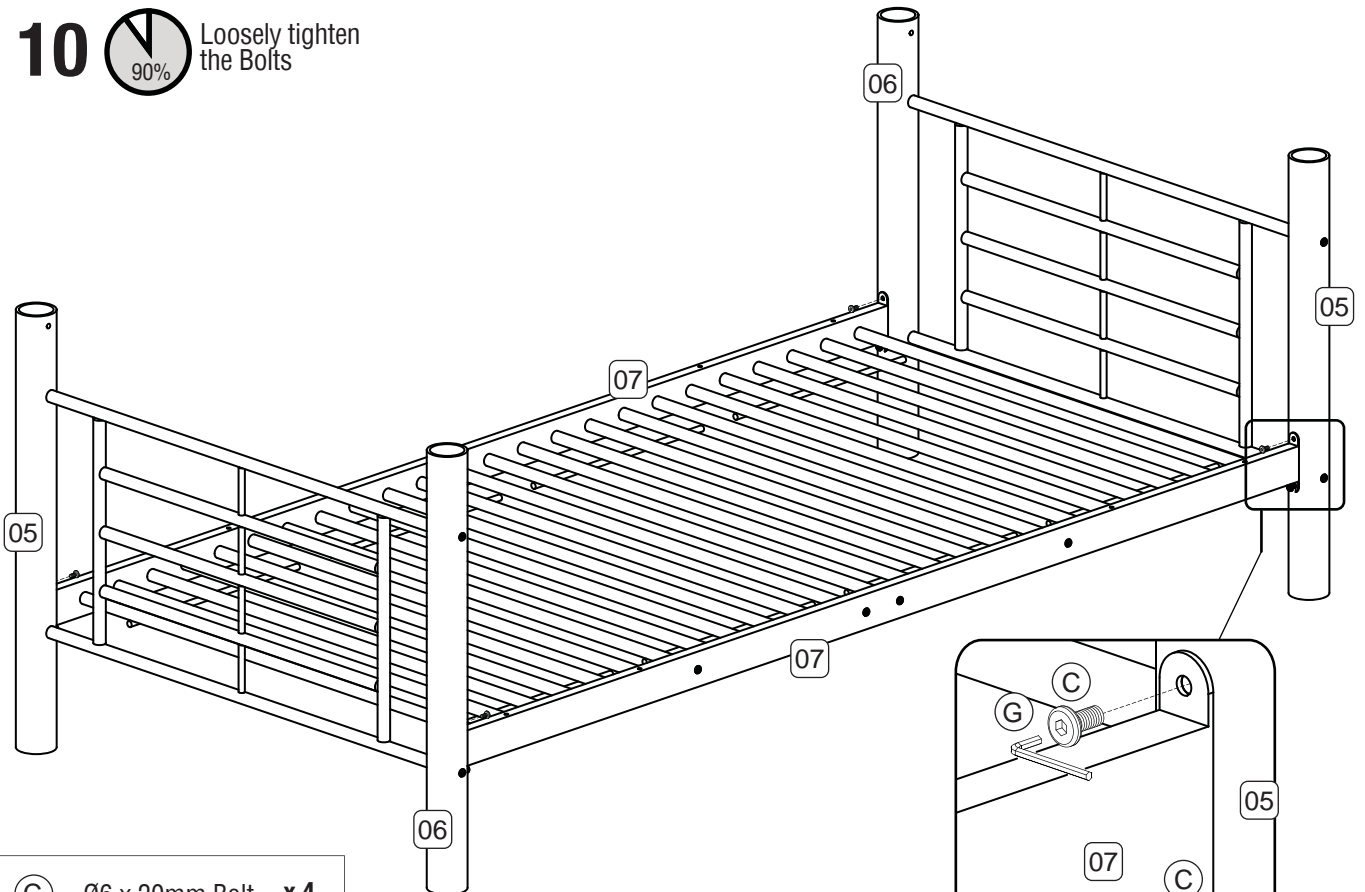
9  Loosely tighten the Bolts



C Ø6 x 20mm Bolt x 4



10  Loosely tighten the Bolts

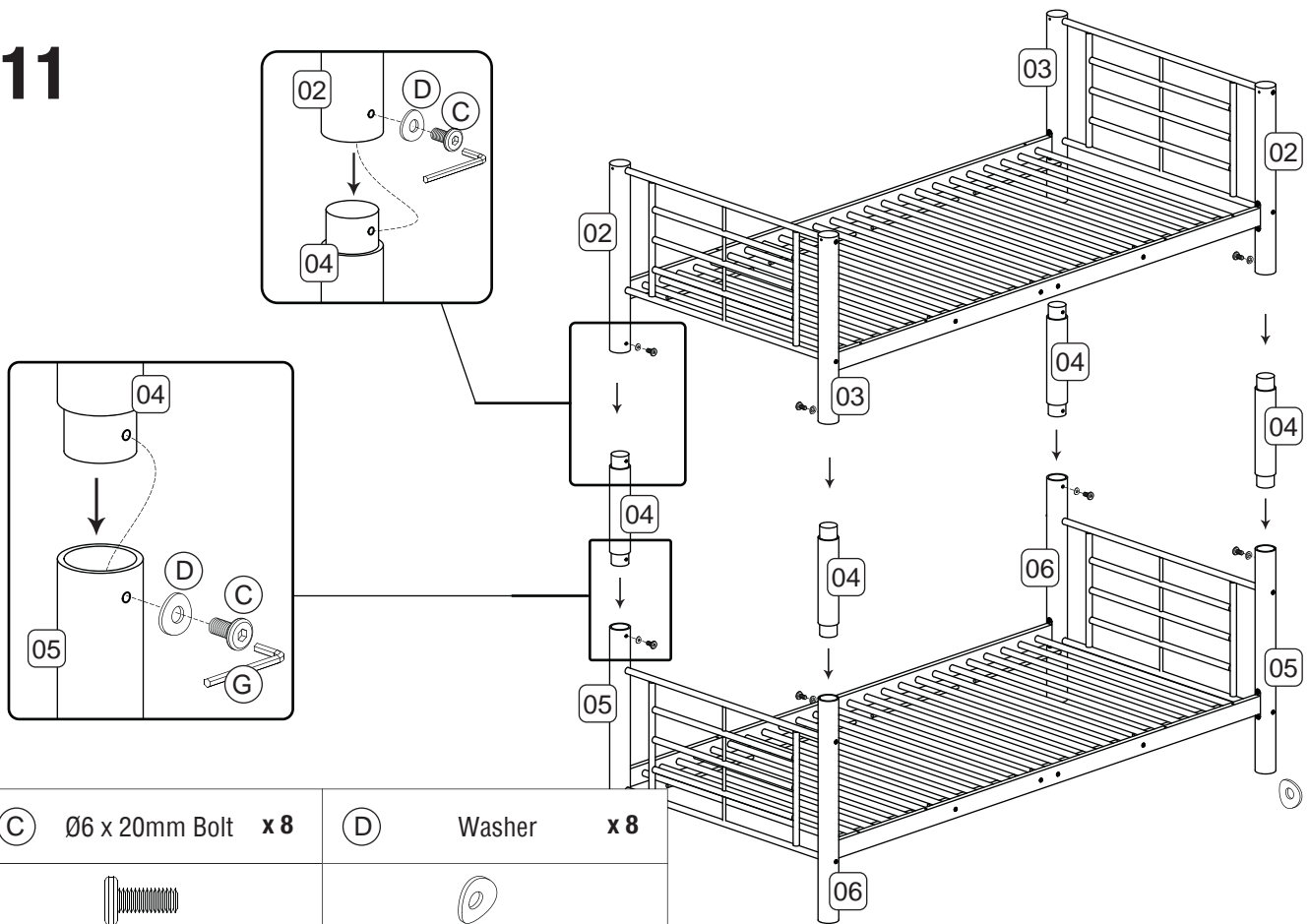


C Ø6 x 20mm Bolt x 4



Bed Frame Assembly

11



(C) Ø6 x 20mm Bolt x 8

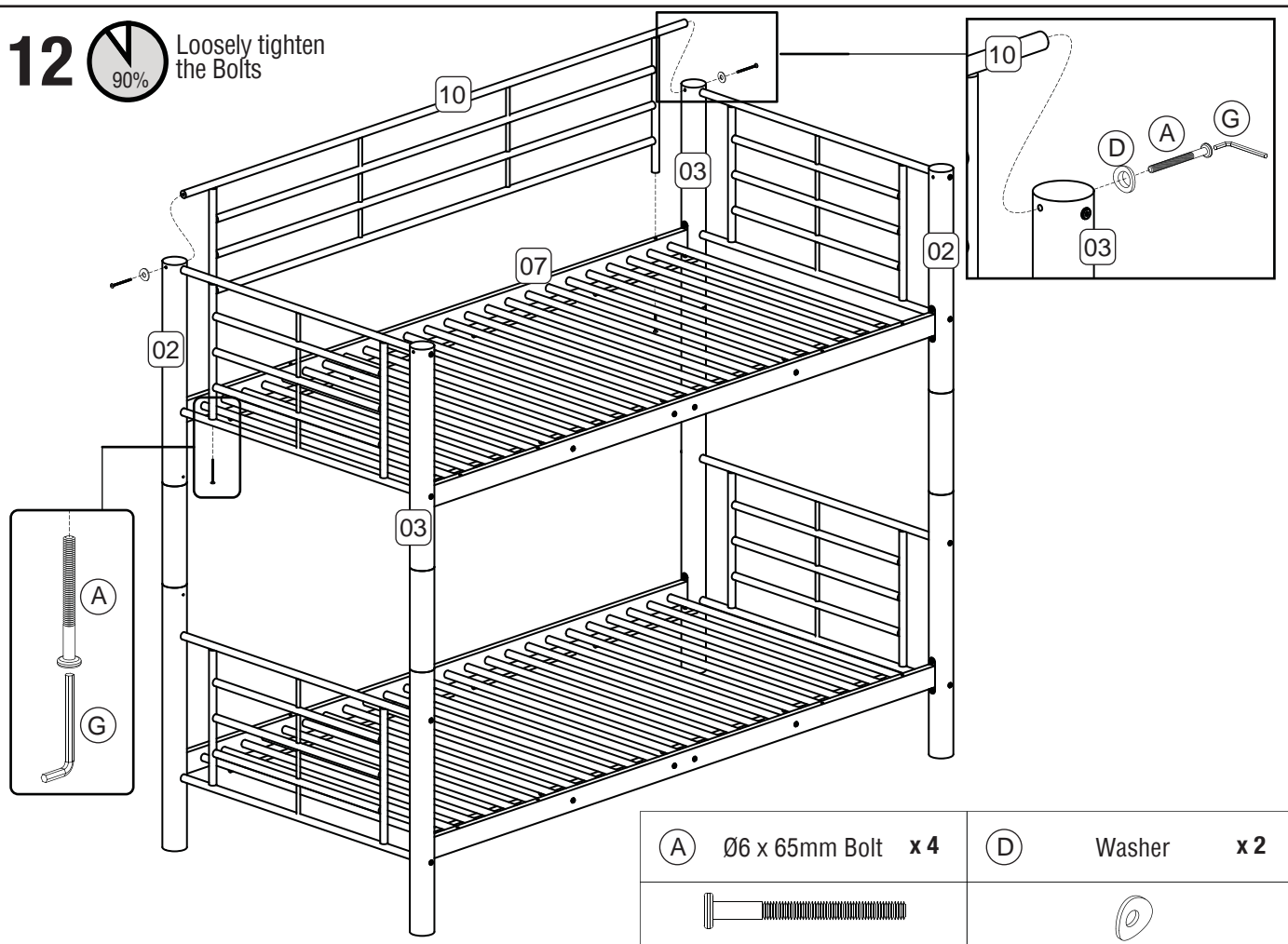
(D) Washer x 8



12



Loosely tighten the Bolts



(A) Ø6 x 65mm Bolt x 4

(D) Washer x 2



Bed Frame Assembly

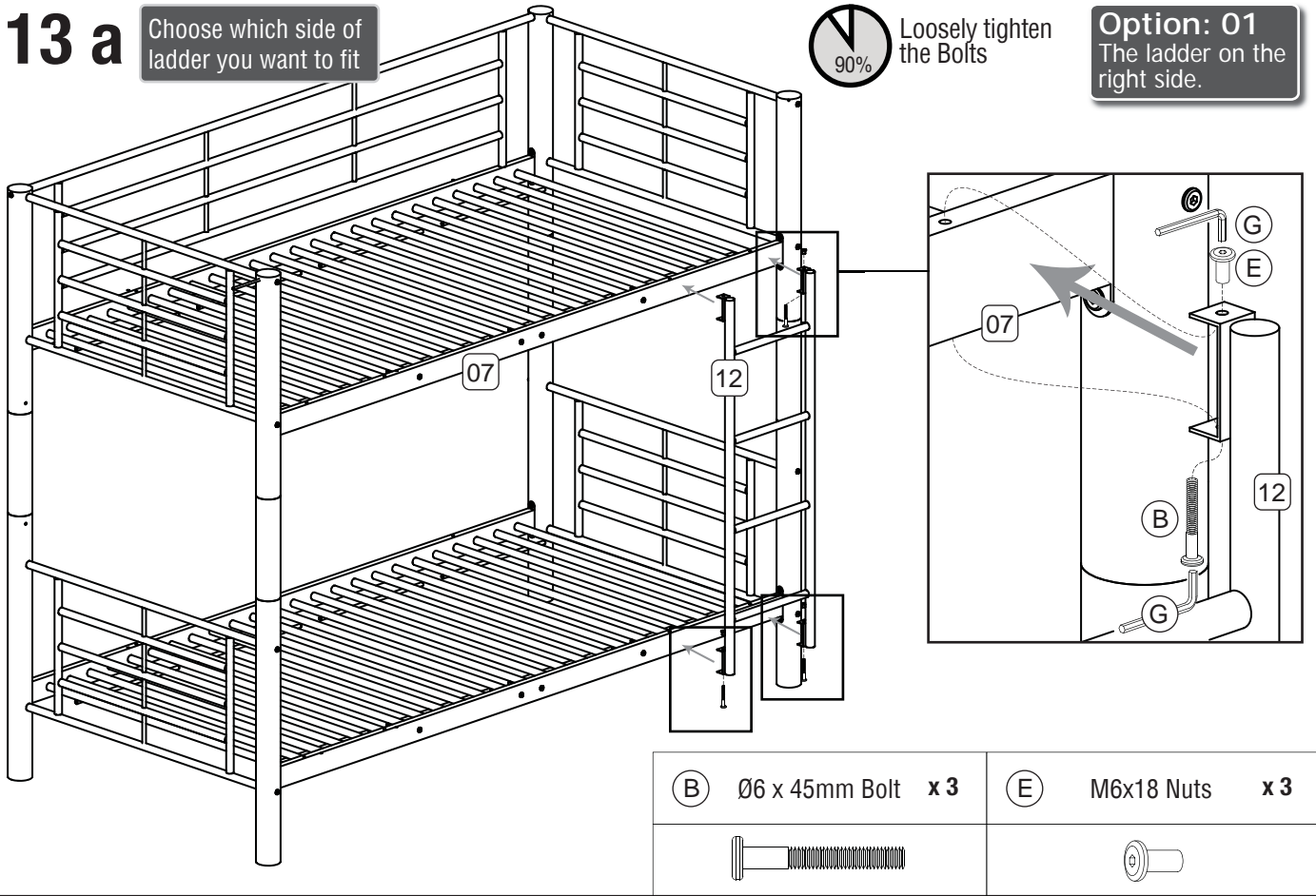
13 a

Choose which side of ladder you want to fit



Loosely tighten the Bolts

Option: 01
The ladder on the right side.



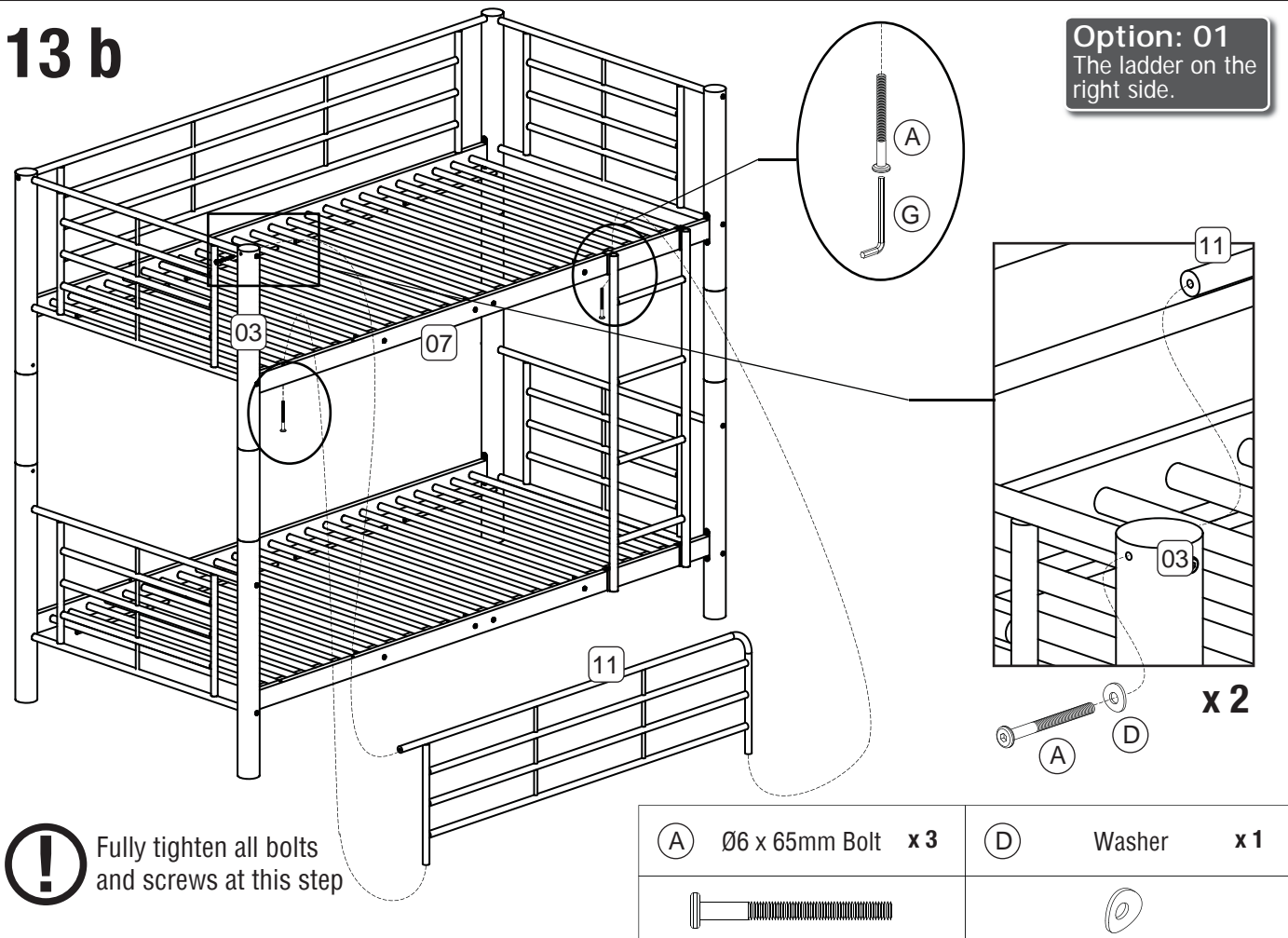
(B) Ø6 x 45mm Bolt x 3

(E) M6x18 Nuts x 3



13 b

Option: 01
The ladder on the right side.



! Fully tighten all bolts and screws at this step

(A) Ø6 x 65mm Bolt x 3

(D) Washer x 1



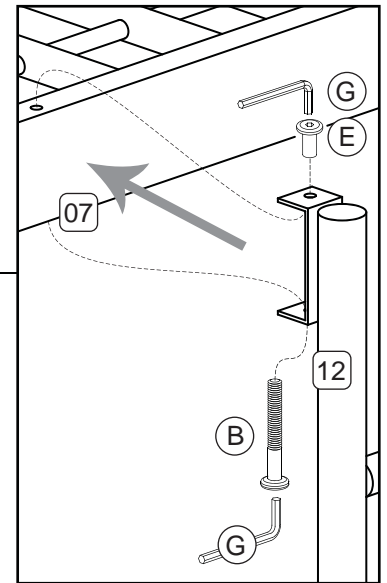
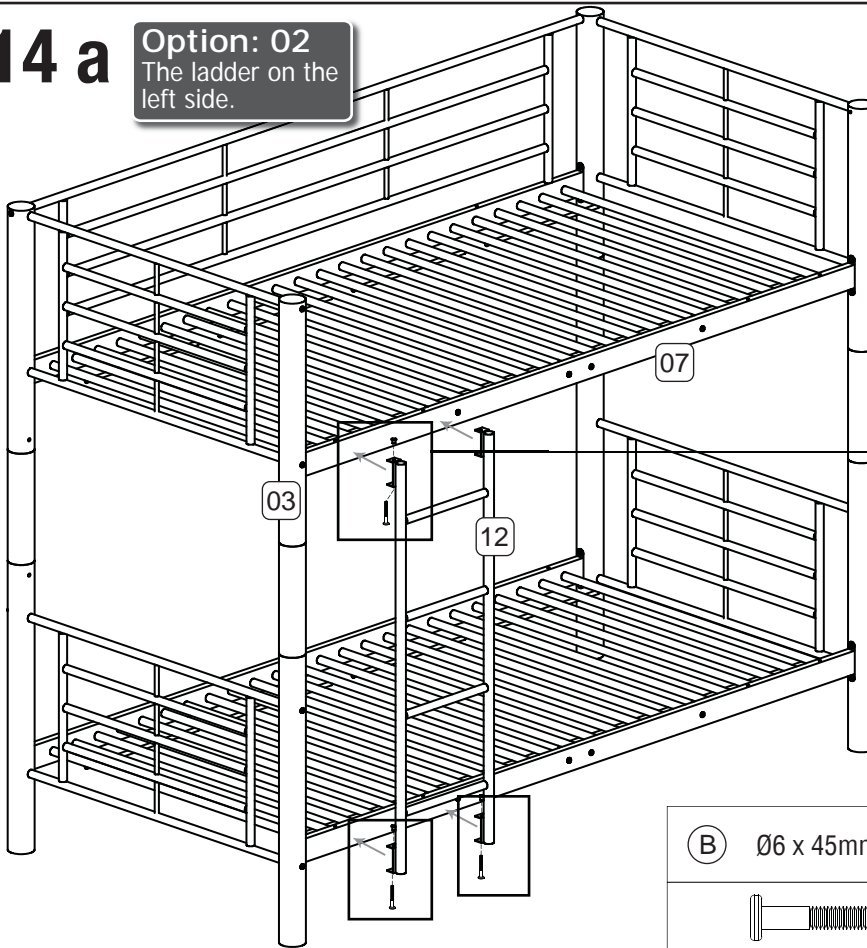
Bed Frame Assembly

14 a

Option: 02
The ladder on the left side.



Loosely tighten the Bolts



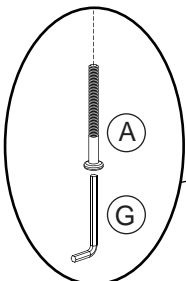
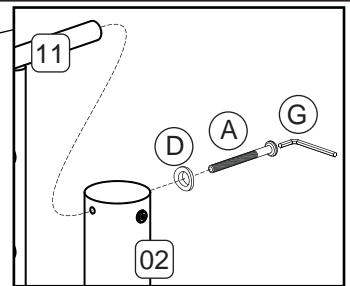
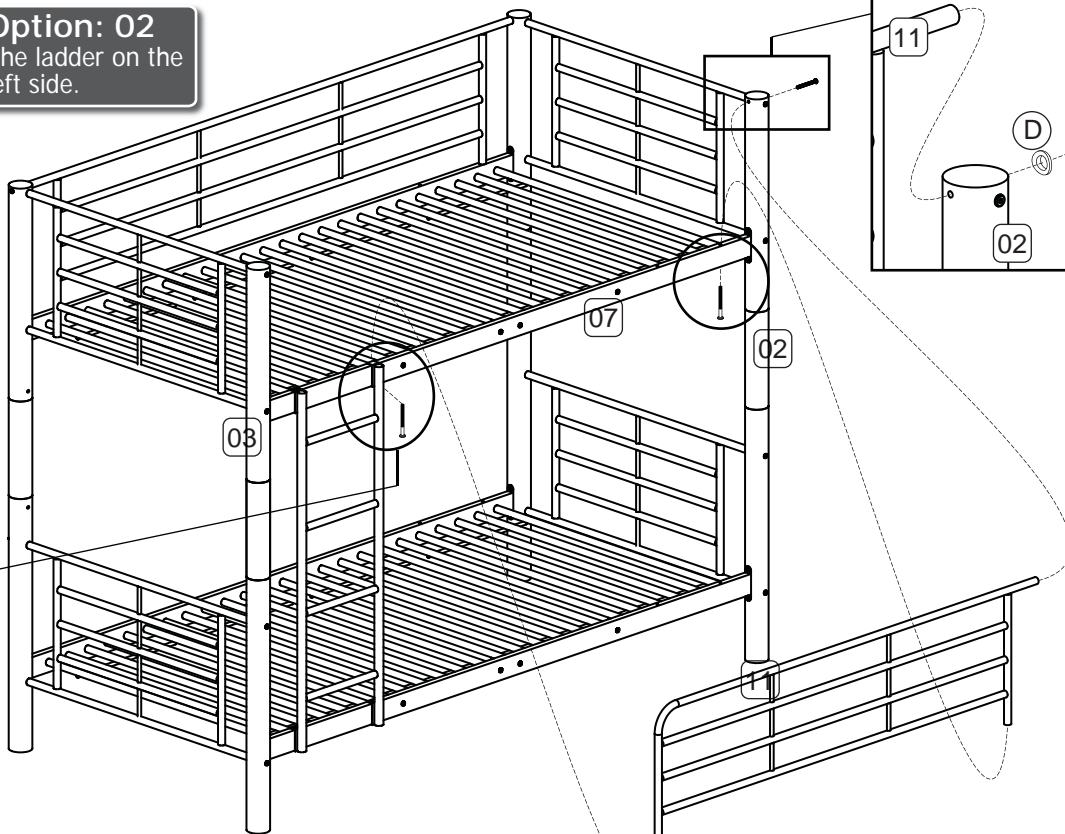
(B) Ø6 x 45mm Bolt x 3

(E) M6x18 Nuts x 3



14 b

Option: 02
The ladder on the left side.



(A) Ø6 x 65mm Bolt x 3

(D) Washer x 1

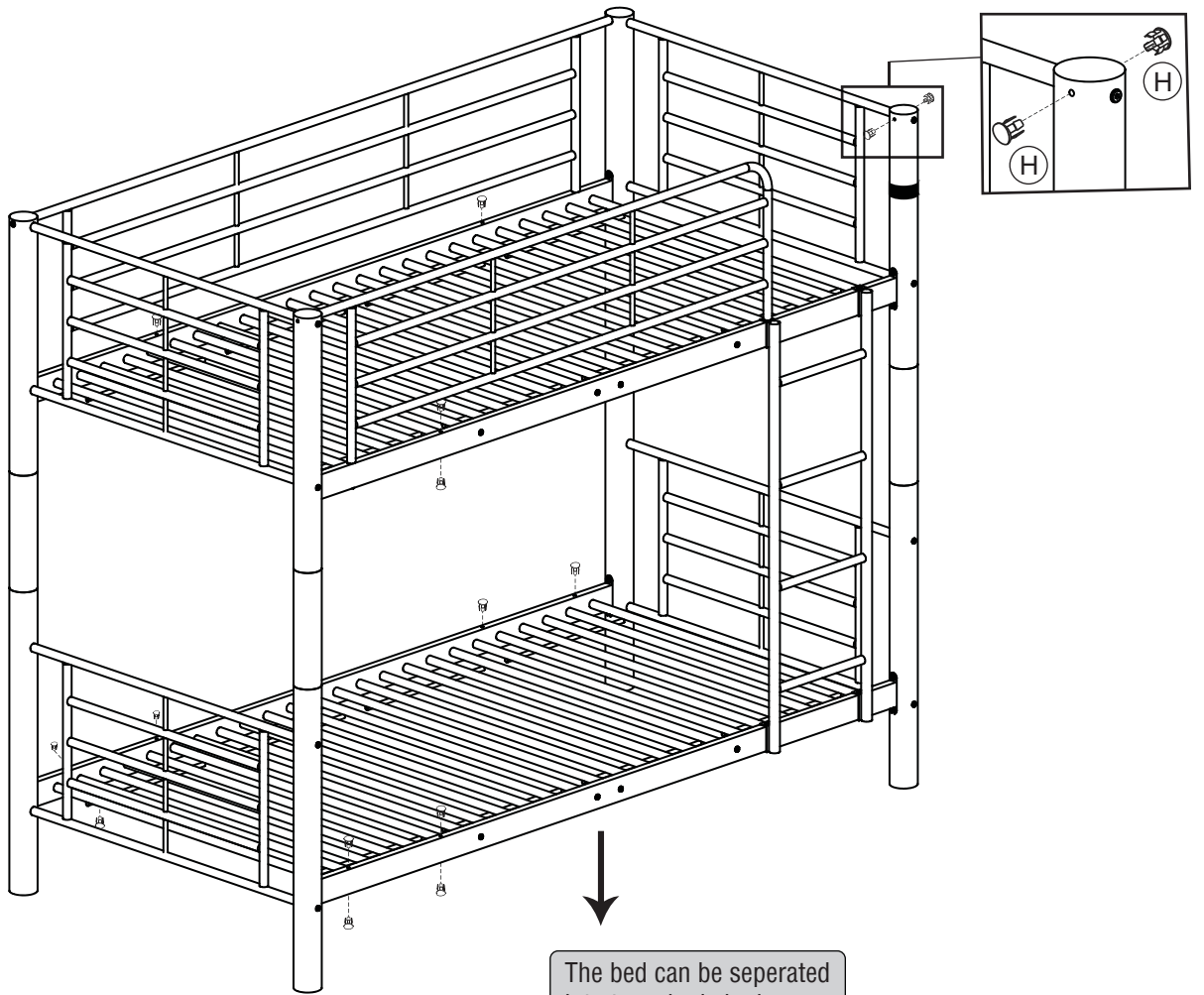


Fully tighten all bolts and screws at this step

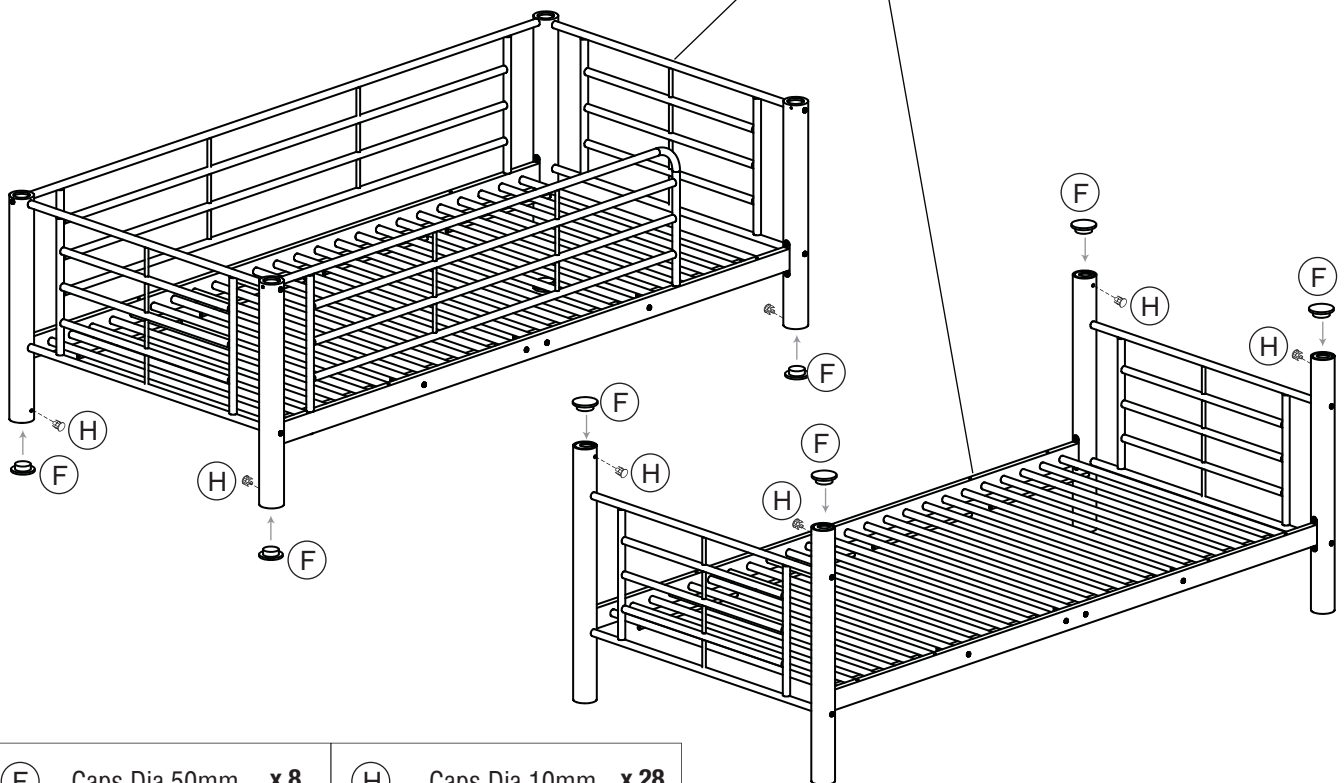


Cap Holes

15



The bed can be separated into two single beds.



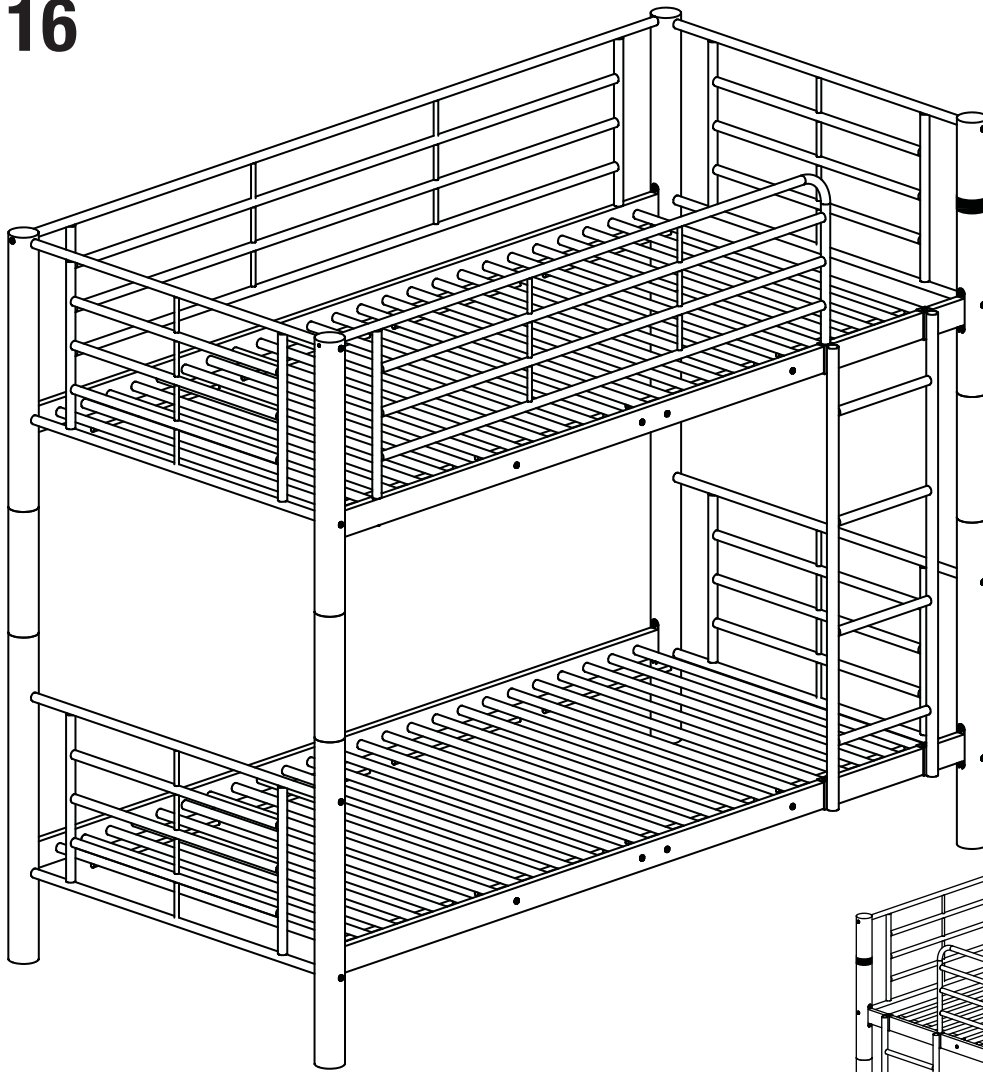
(F) Caps Dia 50mm x 8

(H) Caps Dia 10mm x 28



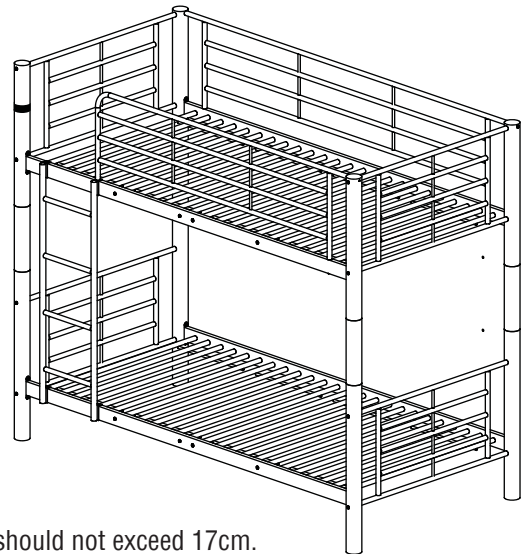
Finished Assembly

16



Important Note:

Before you use the unit, Please choose the right mattress on it. The maximum thickness of the mattress must under the level of the mark.



Note:

- Do not stand on the bed before placing the mattress.
- Assemble on a smooth flat surface.
- The recommended size of the mattress is 90x190cm, the mattress thickness should not exceed 17cm.
- Here state that ventilation of the room is necessary in order to keep the humidity low and to prevent mould in and around the bed.
- This product complies with European Standard BS EN 747-1:2012+A1:2015 & 747-2:2012 + A1:2015
- **WARNING:** High beds and the upper bed of bunk beds are not suitable for children under six years due to the risk of injury from falls.
- **WARNING:** Bunk beds and high beds can present a serious risk of injury from strangulation if not used correctly. Never attach or hang items to any part of the bunk bed that are not designed to be used with the bed, for example, but not limited to ropes, strings, cords, hooks, belts and bags.
- **WARNING:** Children can become trapped between the bed and the wall, a roof pitch, the ceiling, adjoining pieces of furniture (e.g. cupboards) and the like. To avoid risk of serious injury the distance between the top safety barrier and the adjoining structure shall not exceed 75mm or shall be more than 230 mm.
- **WARNING:** Do not use the bunk bed/high bed if any structural part is broken or missing.

Care of your Dreams Furniture

Your new bed from Dreams is more than a beautiful piece of furniture. It's an investment in your health and wellbeing. Care for it well and you'll enjoy a great night's sleep for many years to come.

Should you have any issues with your product please contact our customer service team on 0344 292 0000

On Delivery

Once your new bed is in place and all the packaging is removed, let it air for approximately 1 hour before putting on your mattress, mattress protector and bed linen.

Don't worry if your bed feels a little strange at first. It takes time for your body to adjust to a new level of support and comfort. You'll soon be enjoying a more relaxed sleep.

Please consider the surface your bed will be stood on. If your bed frame is to be stood on an uncarpeted surface please ensure that you use rubber backed mat under the legs to avoid slipping.

Day to day Care

Please use only 5% soap, 95% water solution, wiping with a damp cloth. Finally dry with a soft clean cloth. Dust with a soft clean cloth only.

Check all bolts, screws and legs regularly to make sure they haven't loosened and tighten all joins of your furniture or bedstead after 6 months. Please keep these instructions in a safe place for further use.

Storage Drawers in Bedsteads are designed to carry lightweight items such as Pillows, duvets and linen. Please try to avoid storing heavier items such as books or toys.

Returns

If you have bought a large item such as a bed or mattress which is damaged or faulty and would like to return it, we will be able to arrive at your home and take your item away. All we ask is that your item is in perfect condition and in its original packaging (you can open the packaging to inspect your item). Items will not be able to be returned if they are not in their original packaging.

For online and telesales orders, you can only return an item within 14 days from the date of your delivery.



www.dreams.co.uk

Thank you for purchasing from

Dreams

