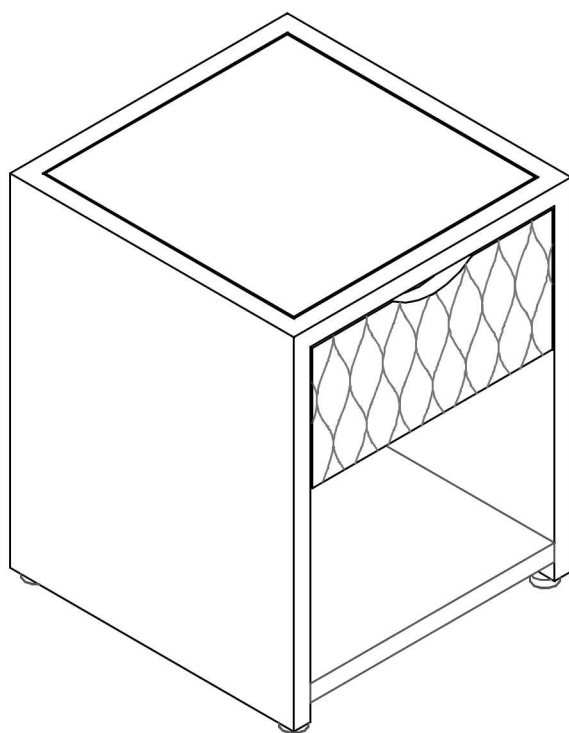


# Grove Bedside Cabinet



**Dreams**

HouseBeautiful

# Thank you

Hello, thanks for choosing to purchase your furniture from Dreams - you're now on your way to your best ever night's sleep. Before you begin using your new furniture please take a moment to read through the following pages.



## Top tip

We recommend that you unpack your new furniture in the room you'd like it to be located-this will help prevent any risk of damage to your new furniture whilst moving it.



## Safety and care

It's really important to ensure children and animals are kept away from the assembly area, as there are small components used in this furniture which could present a choking hazard. All plastic and wrapping materials should also be kept away from children and animals to prevent any risk of suffocation. To keep your little ones busy, there is a colouring page inside the back cover.



## Help and support

At Dreams, it's our mission to give the whole nation a great night's sleep - this means that the quality of our products is of utmost importance to us. If there are any issues with your product or any missing parts, please visit our website at [www.dreams.co.uk/help](http://www.dreams.co.uk/help)



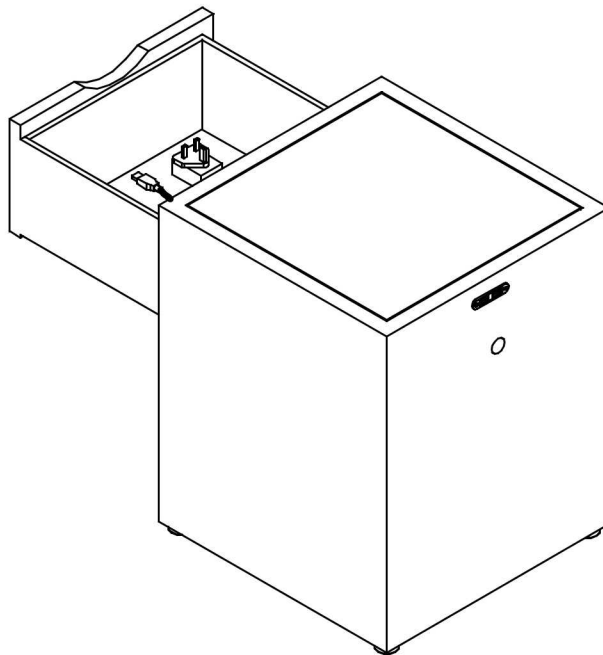
## Recycling

Please ensure that packaging is disposed of in a safe and environmentally friendly way, and recycle where possible. Our assembly instructions are printed on recycled paper. Please keep your assembly instructions safe to refer back to in the future.

# Connect USB power cable

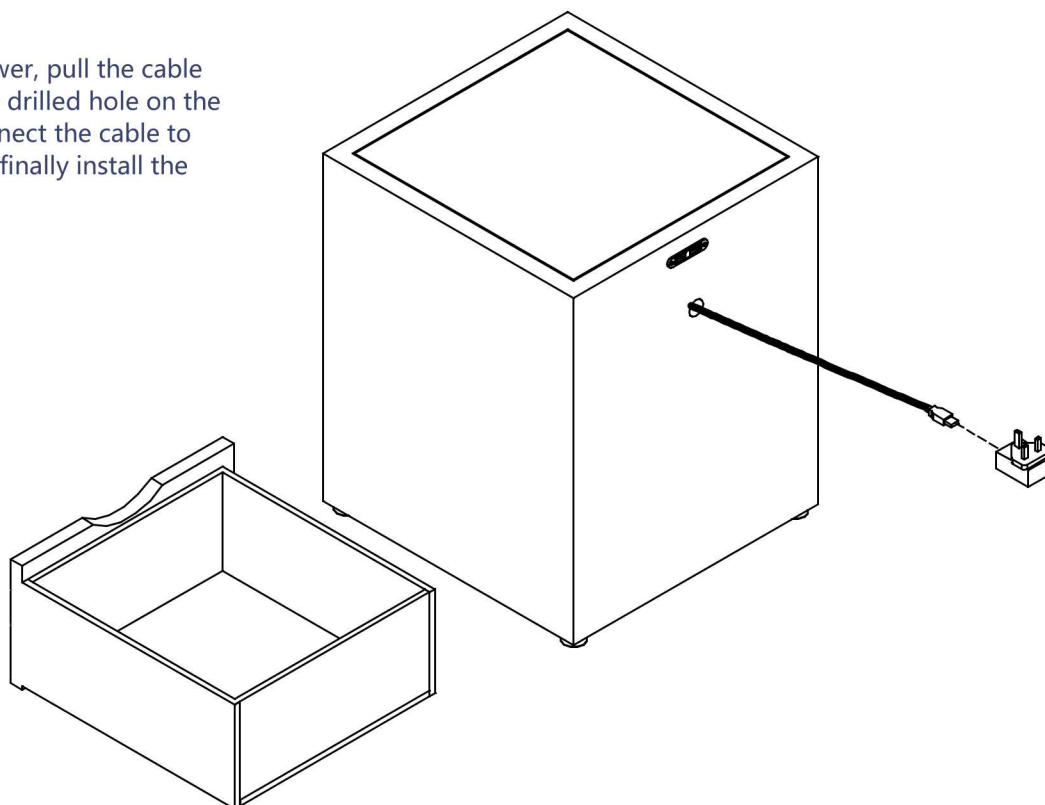
1

Take out the usb cable & socket from the inside of drawer



2

Remove the drawer, pull the cable through the pre drilled hole on the back panel, connect the cable to the socket, and finally install the drawer.



# Care and maintenance

Here are some tips to keep your new furniture in tip-top condition



## Cleaning

To clean your new furniture, we'd advise using a warm damp cloth - please do not use abrasive chemicals or bleach as this may damage the product.



## Checking and moving

Periodically we recommend you check that the screws or fixtures haven't been become loose, over time. To move your new furniture, we recommend lifting it where possible, as dragging or pushing it could cause damage to your flooring.



## Wood

Please note each of our wooden pieces are unique, meaning that markings and shade can vary slightly between beds. Over a period of time, the wood might lighten or fade slightly due to light exposure.



## Fabric

Please note depending on the lighting, positioning and surroundings of your room, the shade of the colour can sometimes appear slightly different, Over a period of time, the colour might lighten or fade slightly due to light exposure.



## Metal

Metal tends to be more resilient to everyday wear and tear. We recommend to gently dust your metal furniture and keep it dry to maintain its look.

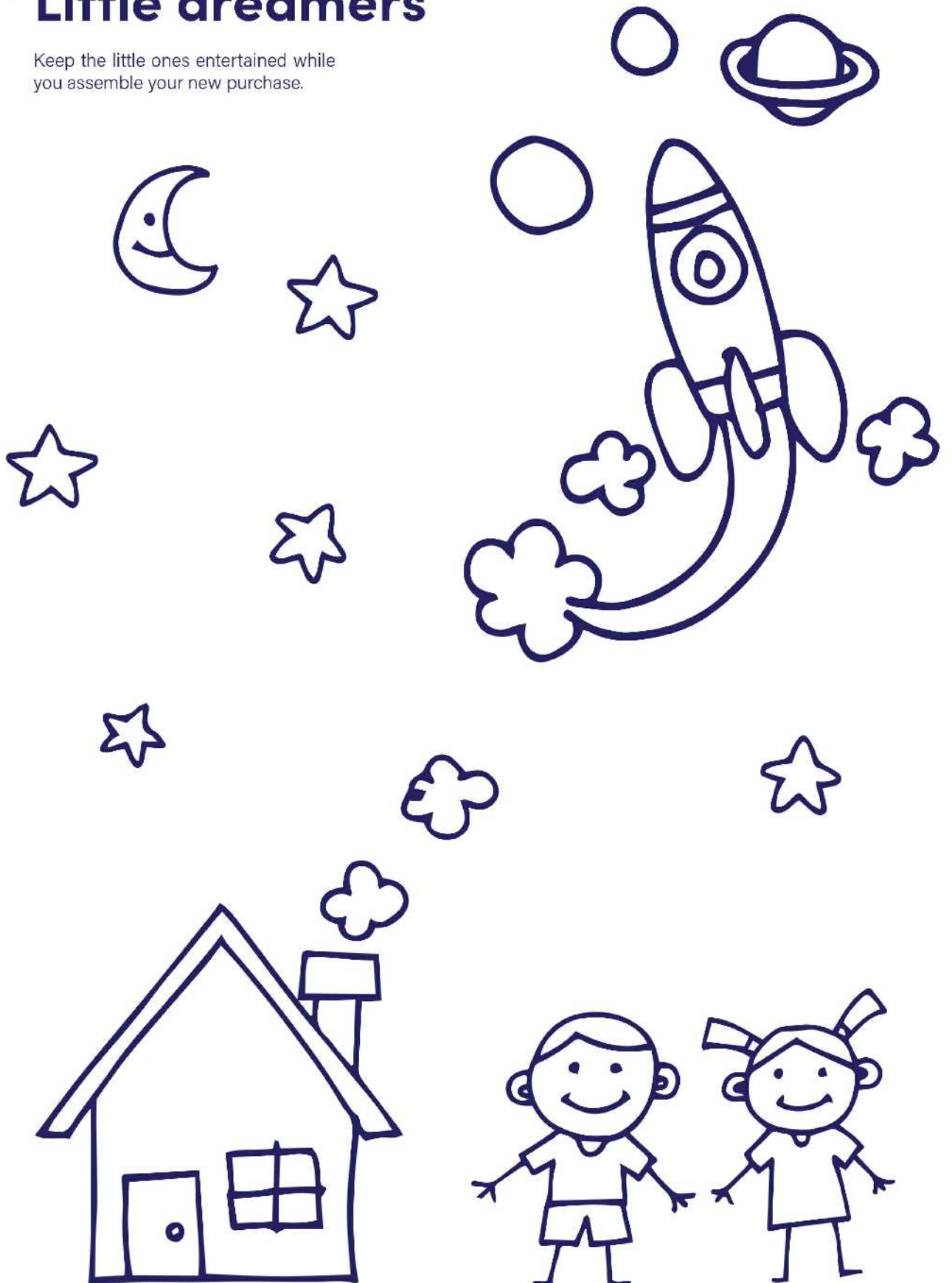
**Thank you for shopping with us - we hope you have a great night's sleep**

*Sleep well*



# Little dreamers

Keep the little ones entertained while you assemble your new purchase.



**Dreams**  
  
**HouseBeautiful**