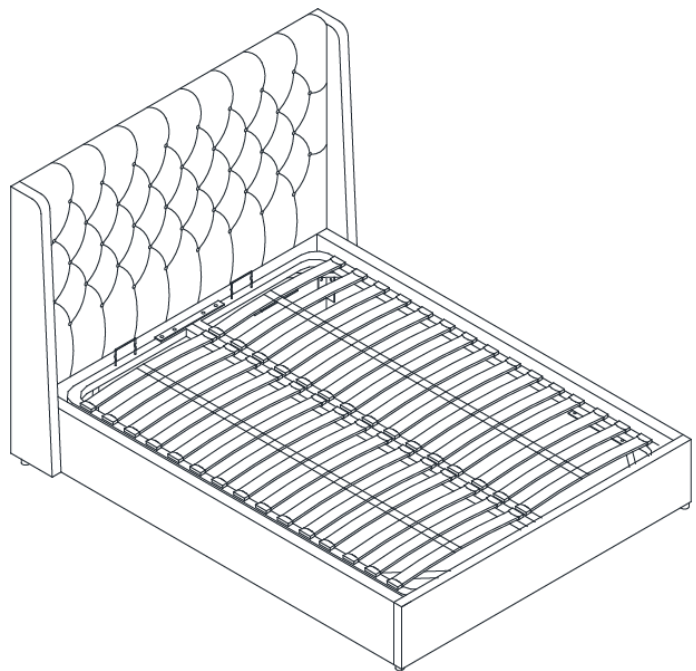




Deacon Ottoman bed

Assembly Instructions



Minimum No.of people recommended to assemble this product:

2

Approx assembly time:

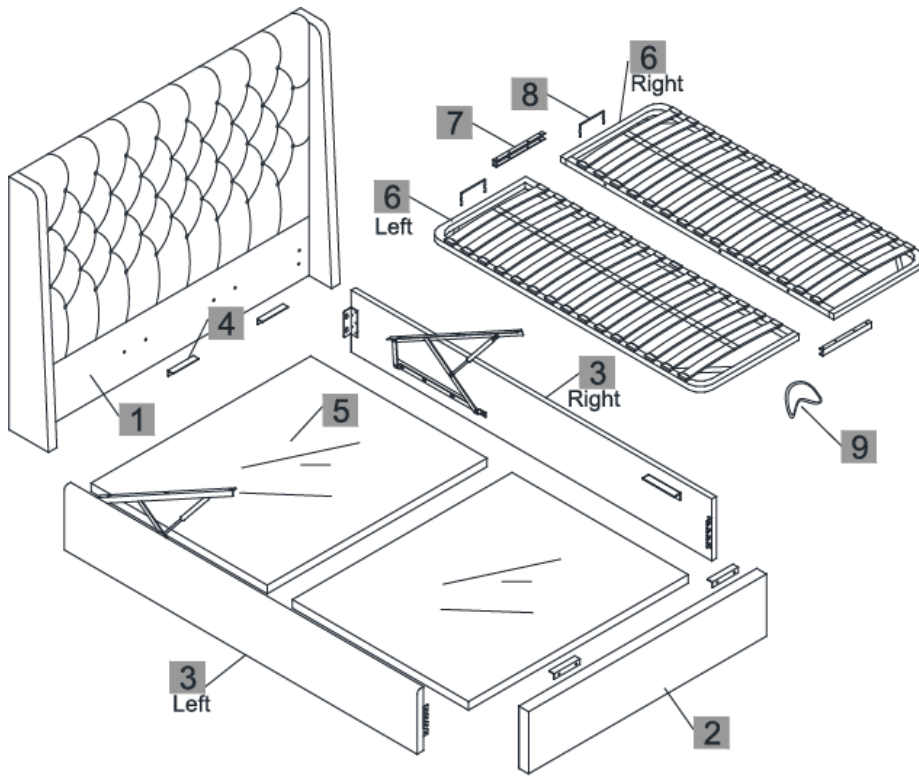
1 hour

Before you Start, here are some helpful advices.

1. We suggest you spend a short time reading through this leaflet and then follow the simple step by step instructions.
2. If you follow the instructions carefully the end result should be worth the effort.
3. Do not discard any of the packaging until you have checked that you have all the parts and the pack of fittings.
4. Assemble this product on a carpet.
5. To ensure an easier assembly, we strongly advise that all fittings are only finger tightened during initial assembly. Only upon completion of the. Assembly should all fixing points be fully tightened.
6. We recommend a periodic check on all fixing points to make sure they remain fully tightened.
7. Keep glue and fittings out of childrens reach.

In the unlikely event that this product has missing or damaged parts, please call 03442 920000 to obtain spares














PARTS



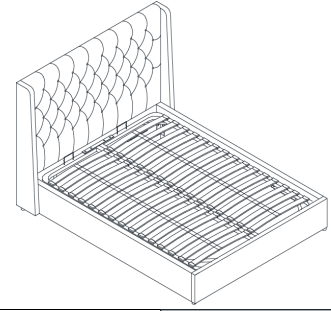
NO. PART LIST

NO.	PART LIST	QTY
(1)	HEADBOARD	1
(2)	FOOTBOARD	1
(3)	SIDE RAILS (R&L)	2
(4)	SUPPORT BRACKETS	4
(5)	BOTTOM BOARD	2
(6)	SLATTED BED FRAME (R&L)	2
(7)	JOINING BRACKETS	2
(8)	MATTRESS HOLDER	2
(9)	FABRIC PULL HANDLE	1

Fittings

A		M8 x 20mm x 8 pcs
B		M8 x 80mm x 1 pcs
C		M6 x 40mm x 8 pcs
D		M6 x 60mm x 6 pcs
E		M6nut x 6 pcs
F		M8nut x 1 pc
G		M6 Washer x20pcs
H		M8 Washer x10pcs
I		M6 JCN NUT x 8 pcs
J		M4 Allen key x 2pc
K		M5 Allen key x 1pc
L		11mm Spanner x 1pc
M		13mm Spanner x 1pc

ASSEMBLY



(1). Loosen the pre-assembled bolts on the headboard and footboard with the Allen Key (J) (K) .

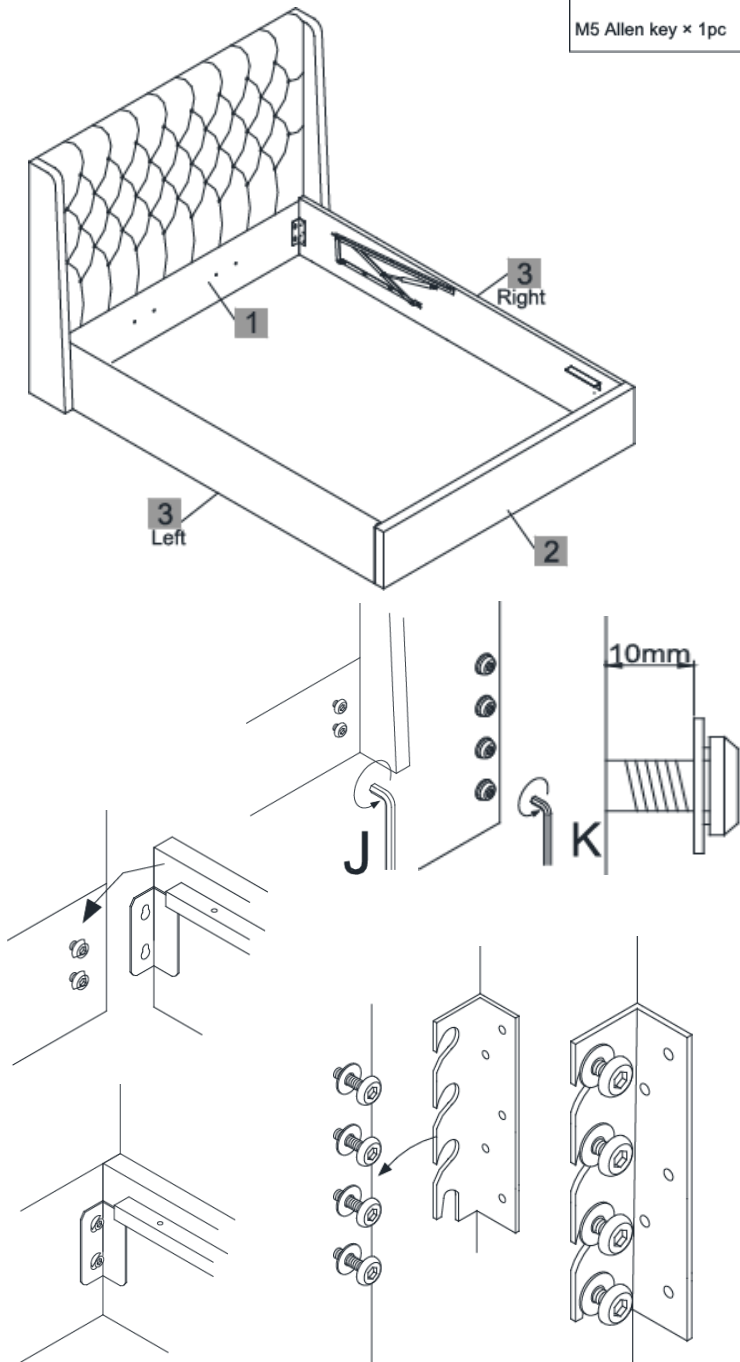
(2). Attach the side rails to the headboard and footboard.

Note: Leave 10 mm protruding as in the diagram

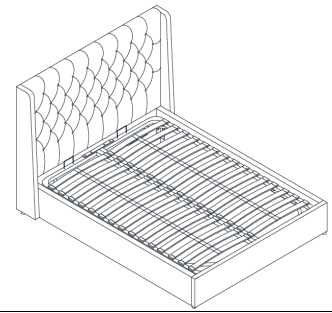
STEP 1

J 
M4 Allen key × 1pc

K 
M5 Allen key × 1pc



ASSEMBLY



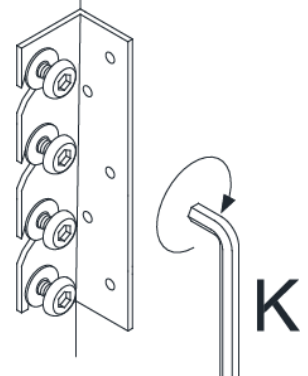
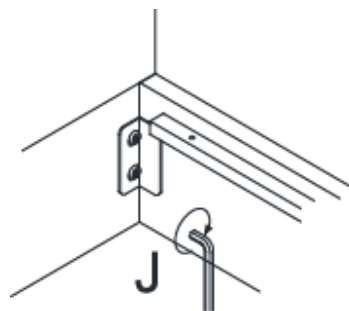
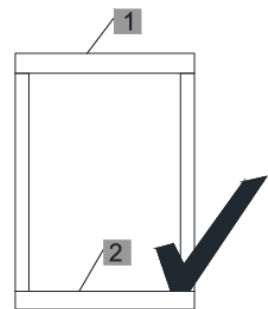
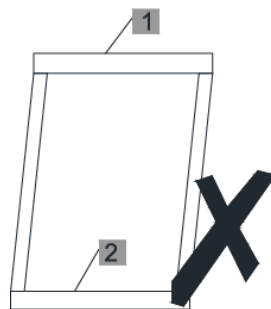
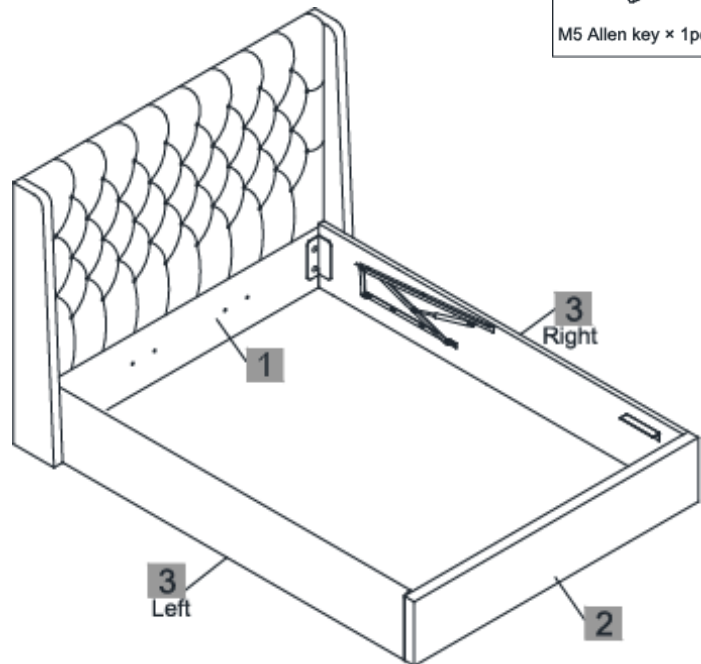
MAKE CERTAIN THE BED IS SQUARED UP .AS SHOWN ON THE RIGHT.

Once all four comers are located. make sure the bed is still square as in the sketch.then tighten all the bolts 100% using Allen key (J)(K)

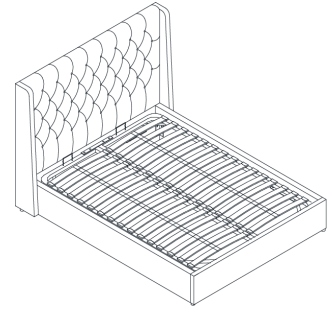
STEP 2

J 
M4 Allen key × 1pc

K 
M5 Allen key × 1pc



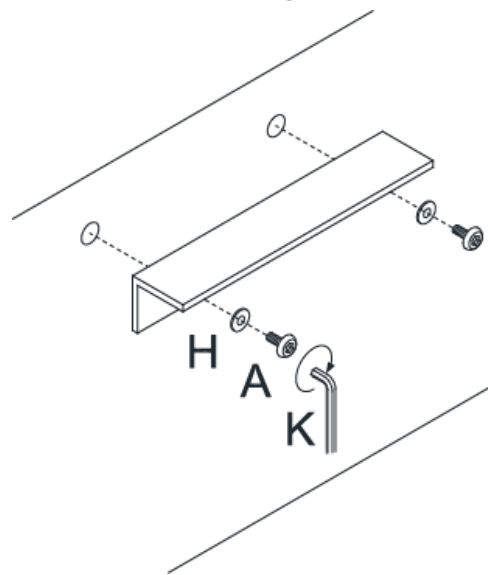
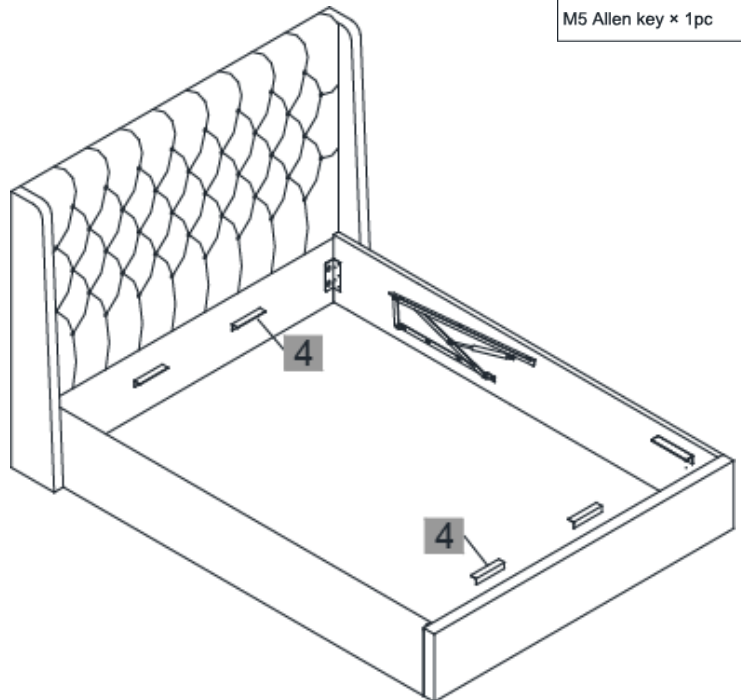
ASSEMBLY



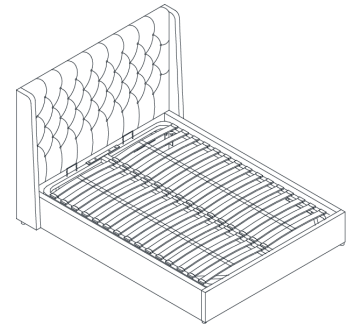
(1). Attach the support brackets to the headboard and footboard by using bolts (A) , washer (H) and allen key (K).

STEP 3

A	
	M8 x 20mm x 8 pcs
H	
	M8 Washer x8pcs
K	
	M5 Allen key x 1pc

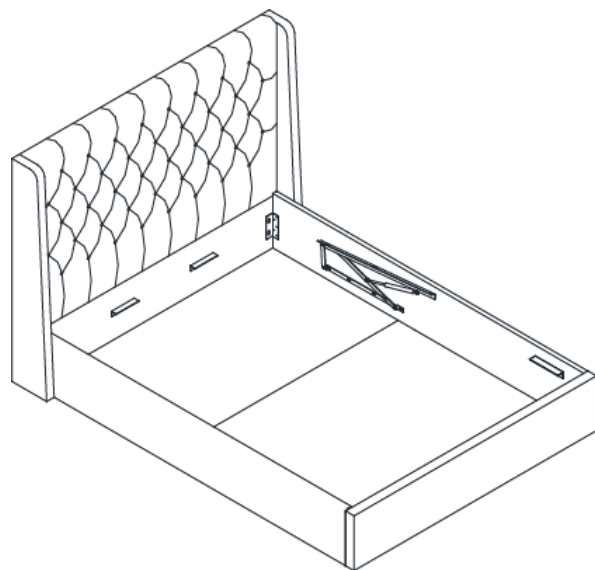
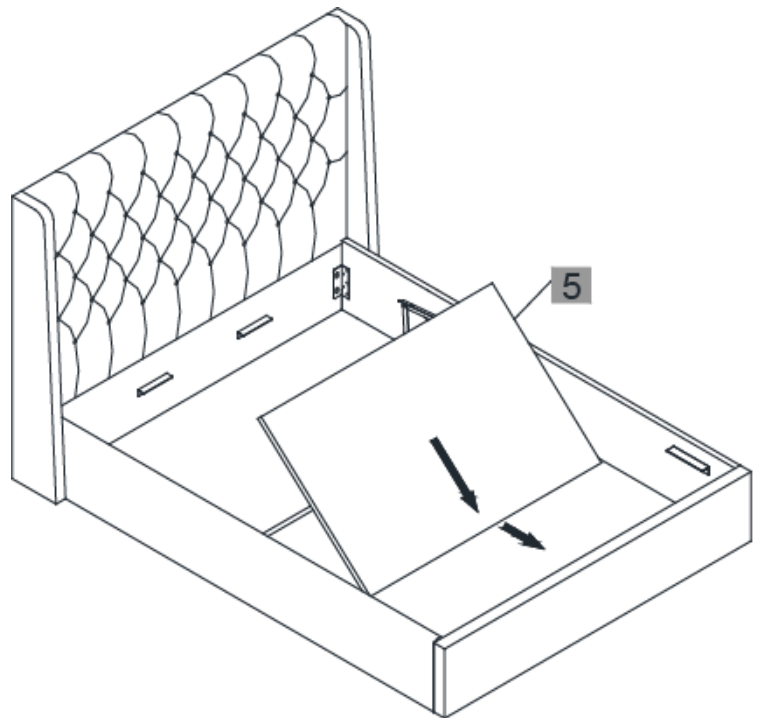


ASSEMBLY



(1). Fix the bottom boards

STEP 4



ASSEMBLY



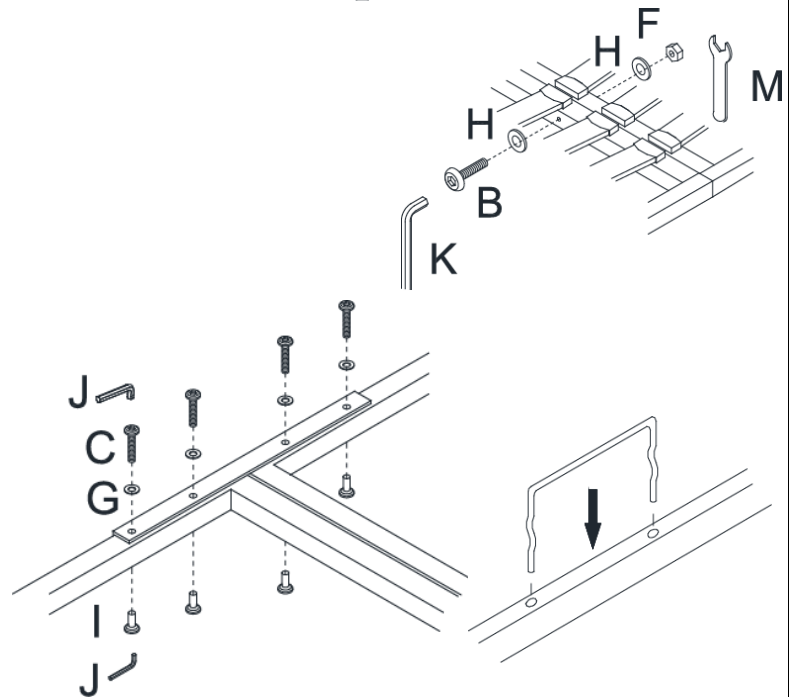
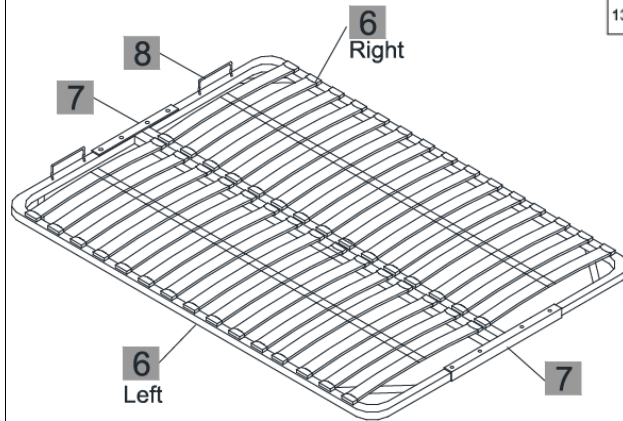
1) Join the two halves together using the bolt (B) through the holes and tighten with the M8 nut.

2) Slot the bolts (C) through the holes and tighten with the M6 JCN nuts. Complete at head and foot end of frame.

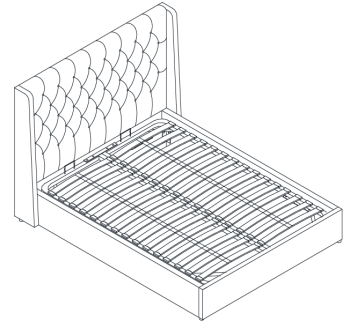
3) Push the two mattress bars into the holes both sides of the head end of the frame.

STEP 5

B M8 x 80mm x 1 pcs	H M8 Washer x2pcs
C M6 x 40mm x 8 pcs	I M6 JCN NUT x 8 pcs
F M8nut x 1 pc	J M4 Allen key x 2pc
G M6 Washer x8 pcs	K M5 Allen key x 1pc
	M 13mm Spanner x 1pc



ASSEMBLY

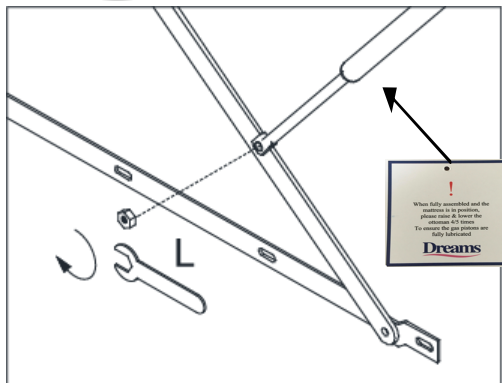


- 1) While one person holds the slatted frame up, the second person must fit the gas strut to the hinge.
- 2) One end of the strut will already be attached to the hinge. At the other end, take the nut off the bolt and attach the other end of the strut.
- 3) Once this is in place, replace and tighten the nut.
- 4) Repeat process for the other side of the bed.

- 1) Identify the head end of your slatted frame, this will be the end with holes.
- 2) Carefully lower the slatted frame into the base so that it rests on the hinges and the support brackets. Again, this will require two people to do safely.
- 3) Align the holes on the frame with the holes on the hinge and pass the three bolts (D) through the washers provided and then into the holes each side of the frame.
- 4) Place a nut onto each of the M6 bolts and tighten with fingers, then, using the Allen key provided, fully tighten.
- 5) Attach the Fabric Pull Handle at the end of slat frame.
- 6) The slatted frame and base are now joined.

NOTE: When fully assembled and the mattress is in position, please raise and lower the ottoman 5 times. To ensure the gas pistons are fully lubricated.

STEP 6



- D** M6 x 60mm x 6 pcs
- E** M6 nut x 6 pcs
- G** M6 Washer x12 pcs
- J** M4 Allen key x 1pc
- L** 11mm Spanner x 1pc

