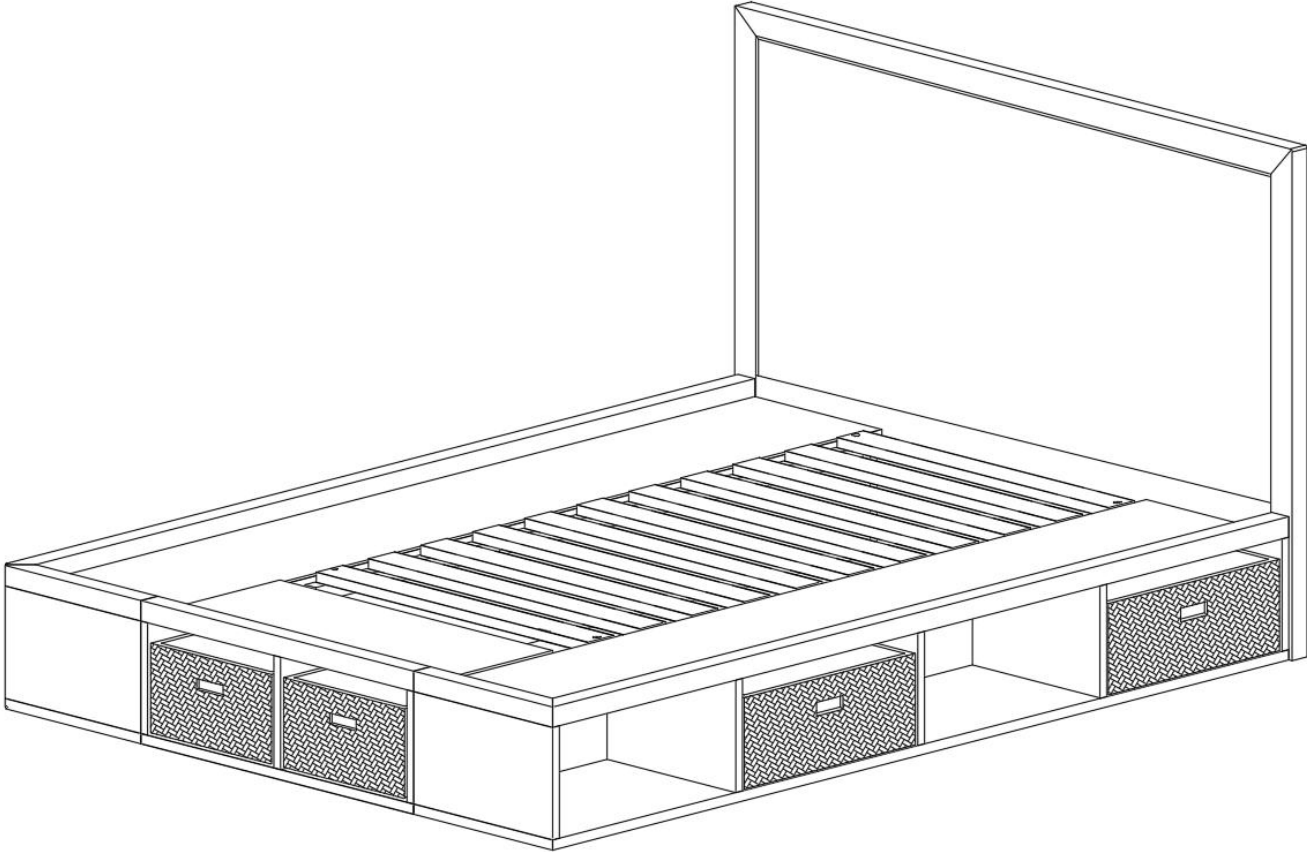


# Burton Bed



1 hour approx  
assembly time



Two person  
assembly

**Dreams**

# Thank you

Hello, thanks for choosing to purchase your bed from Dreams - you're now on your way to your best ever night's sleep. Before you begin building your bed, please take a moment to read through the instructions and make sure that you've got all the relevant parts listed on the following pages.



## Assembly tips

Before you begin, it's best to identify all parts and fittings to build your bed. We advise laying these out on the floor to check you have everything, and familiarising yourself before building.



## Top tip

We recommend that you build your new bed in the room you'd like it to be located - this will help prevent any risk of damage to your newly built bed whilst moving it.



## Safety and care

It's really important to ensure children and animals are kept away from the assembly area, as there are small components used in this bed which could present a choking hazard. All plastic and wrapping materials should also be kept away from children and animals to prevent any risk of suffocation. To keep your little ones busy, there is a colouring page inside the back cover.



## Help and support

At Dreams, it's our mission to give the whole nation a great night's sleep - this means that the quality of our products is of utmost importance to us. If there are any issues with your product or any missing parts, please visit our website at [www.dreams.co.uk/help](http://www.dreams.co.uk/help)



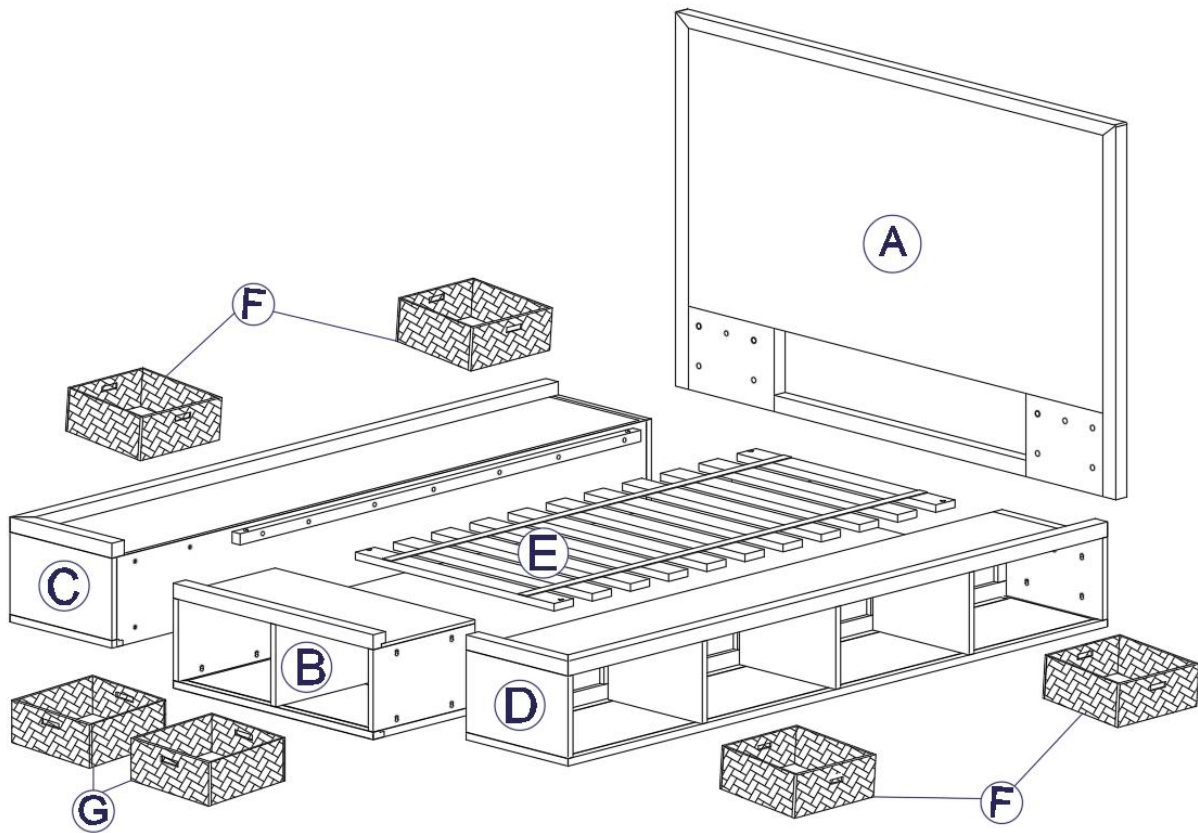
## Recycling

Please ensure that packaging is disposed of in a safe and environmentally friendly way, and recycle where possible. Please keep your assembly instructions safe to refer back to in the future.

# Parts

## Important information

Please check you have all parts listed below .

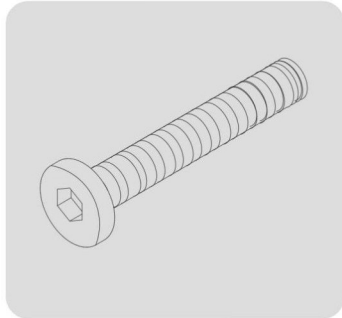


## Parts list

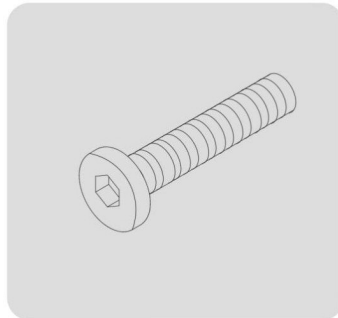
A.	Headboard	1pc
B.	Footboard	1pc
C.	Left Side Rail	1pc
D.	Right Side Rail	1pc
E.	Slats	1pc
F.	Large Basket	4pcs
G.	Small Basket	2pcs

# Fittings

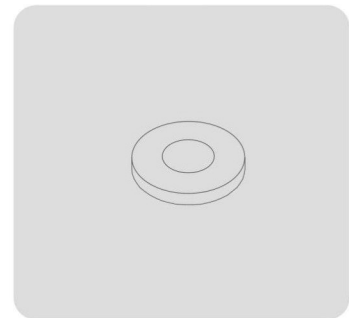
Please check you have all the fittings listed below :



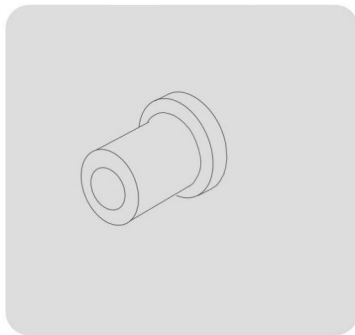
1.Allen Bolt  
M6x40 - 12 pcs



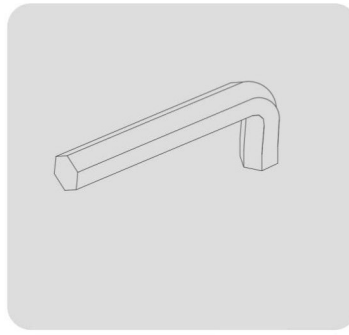
2.Allen Bolt  
M6x30 - 8 pcs



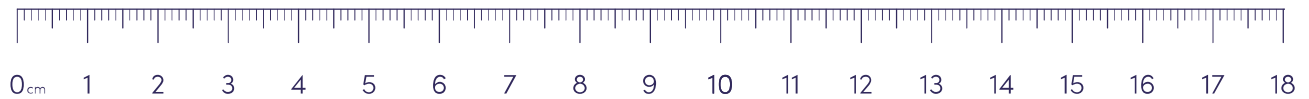
3.Flat Washer  
18mmØ - 16 pcs



4.Allen CapNut  
M6 - 4 pcs



5.Allen Key  
M4 - 2 pcs



# Tools required

Please check you have all these below:



Scissors



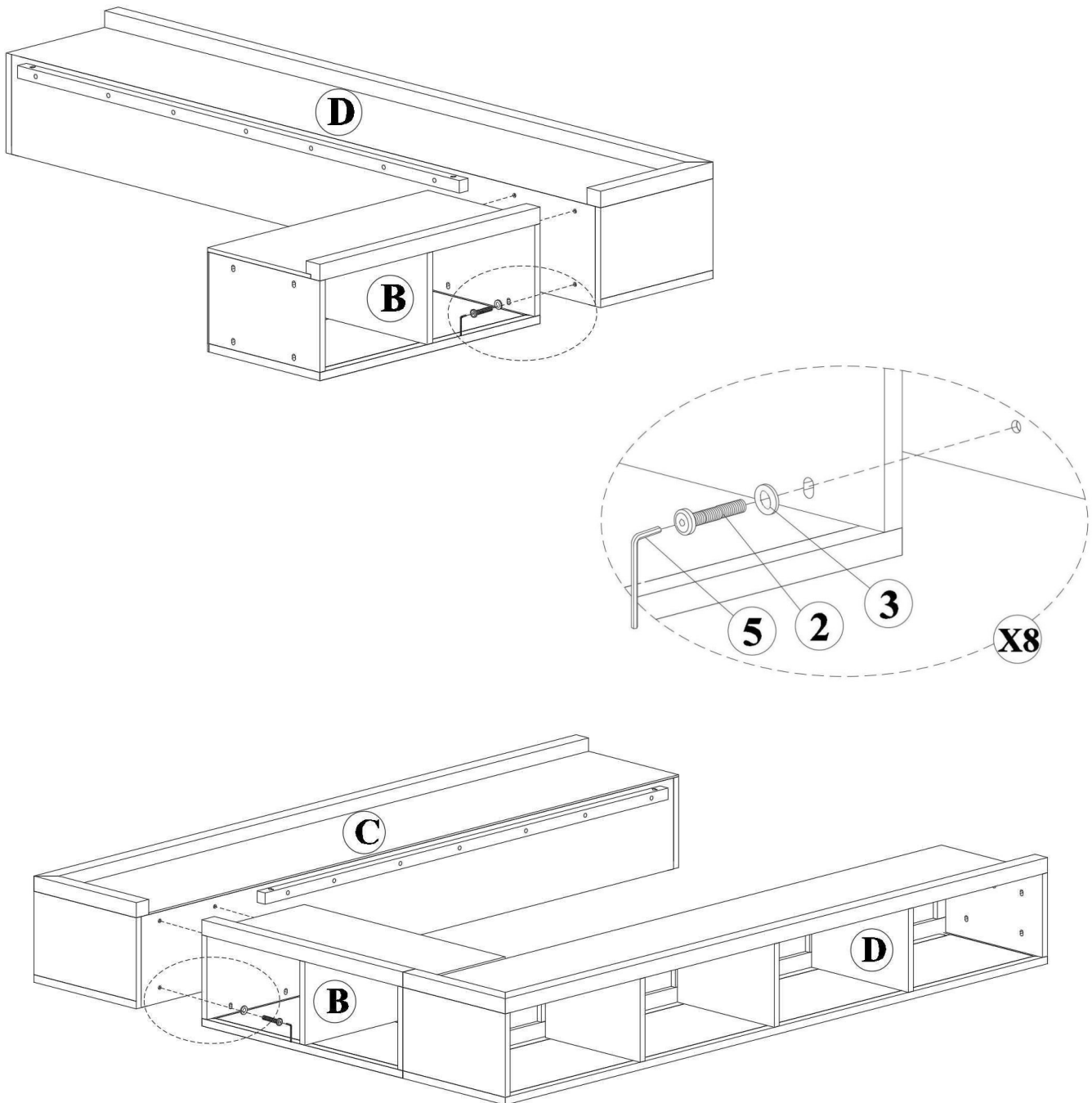
Tape measure

# Assembly Instructions

## Use Pack '2' & '3'

**1**

- Assemble the Footboard (B) to Right Side Rail Assembly (D) .
- Assemble the Footboard (B) to Left Side Rail Assembly (C) .
- With Bolt (2) plus Flat Washer (3) using Allenkey (5) .
- Tighten all Fittings 80% only .

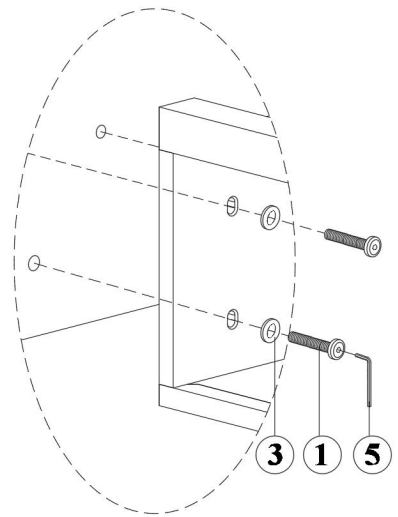
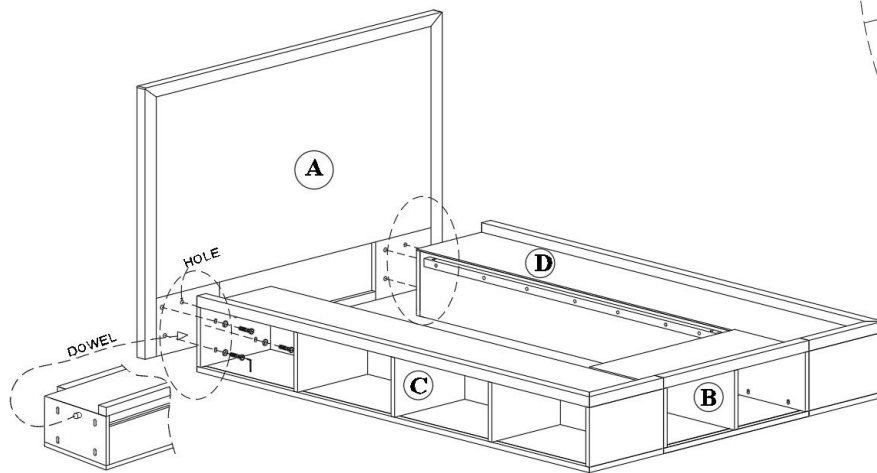


# Burton Bed

## Use Pack '1' '2'&'3'

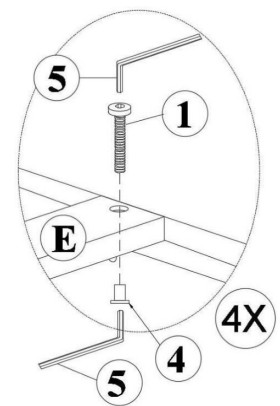
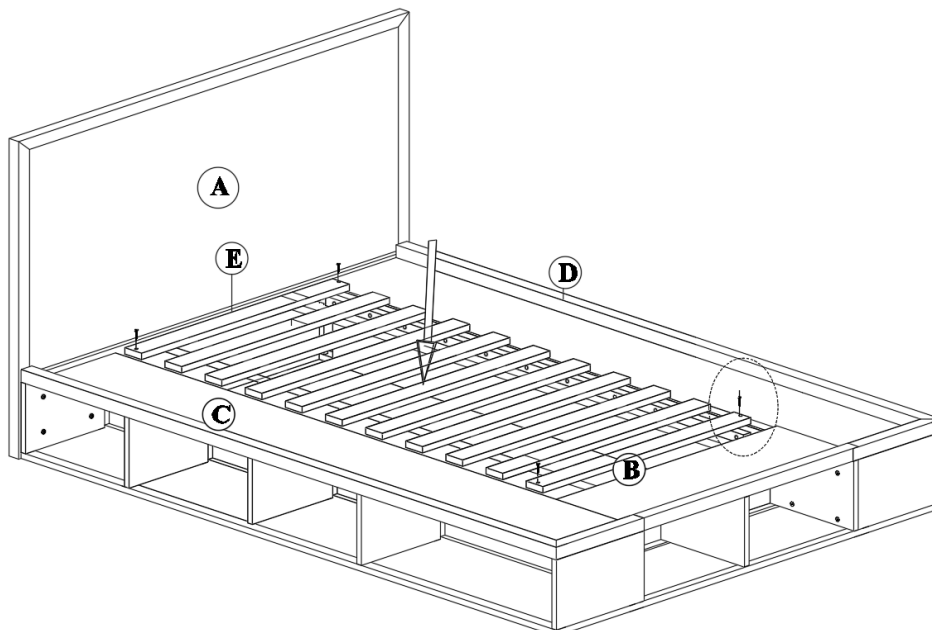
**2**

- Assemble the Headboard (A) to Left & Right Side Assemble (C),(D) with Bolt (1) plus Flat Washer (3) Using Allen Key (5) .
- Tighten all fittings 80% only .



**3**

- Place and fix the Slat (E) With Bolts (1) and CapNut (4) Using Allen key (5) .
- Tighten all fittings 80% only .

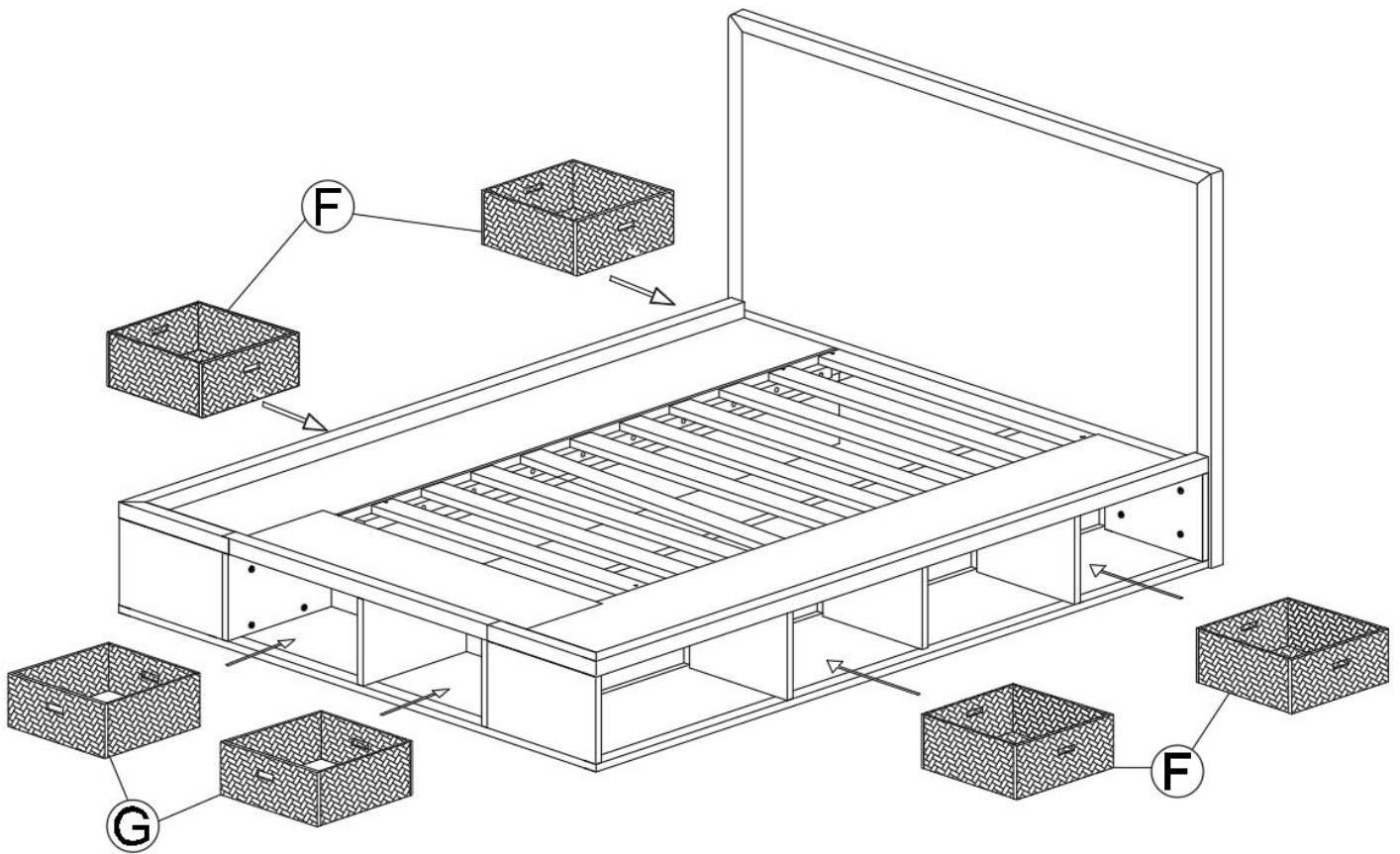
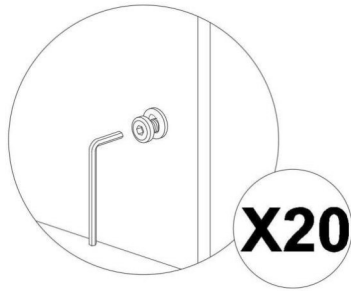


# Burton

Use Pack '1','2' & '3'

**4**

- Place the Large Basket (F) (4pcs) and the Small Basket (G) (2pcs) in place
- Now all fittings need to be fully tighten .





# Care and maintenance

Here are some tips to keep your new bed in tip-top condition



## Cleaning

To clean your new bed, we'd advise using a warm damp cloth - please do not use abrasive chemicals or bleach as this may damage the product.



## Checking and moving

Periodically we recommend you check that the screws or fixtures haven't become loose, over time. To move your new bed, we recommend lifting it where possible, as dragging or pushing it could cause damage to your flooring.



## Wood

Please note each of our wooden pieces are unique, meaning that markings and shade can vary slightly between beds. Over a period of time, the wood might lighten or fade slightly due to light exposure.



## Fabric

Please note depending on the lighting, positioning and surroundings of your room, the shade of the colour can sometimes appear slightly different. Over a period of time, the colour might lighten or fade slightly due to light exposure.



## Metal

Metal tends to be more resilient to everyday wear and tear. We recommend to gently dust your metal furniture and keep it dry to maintain its look.

**Thank you for shopping with us - we hope you have a great night's sleep**

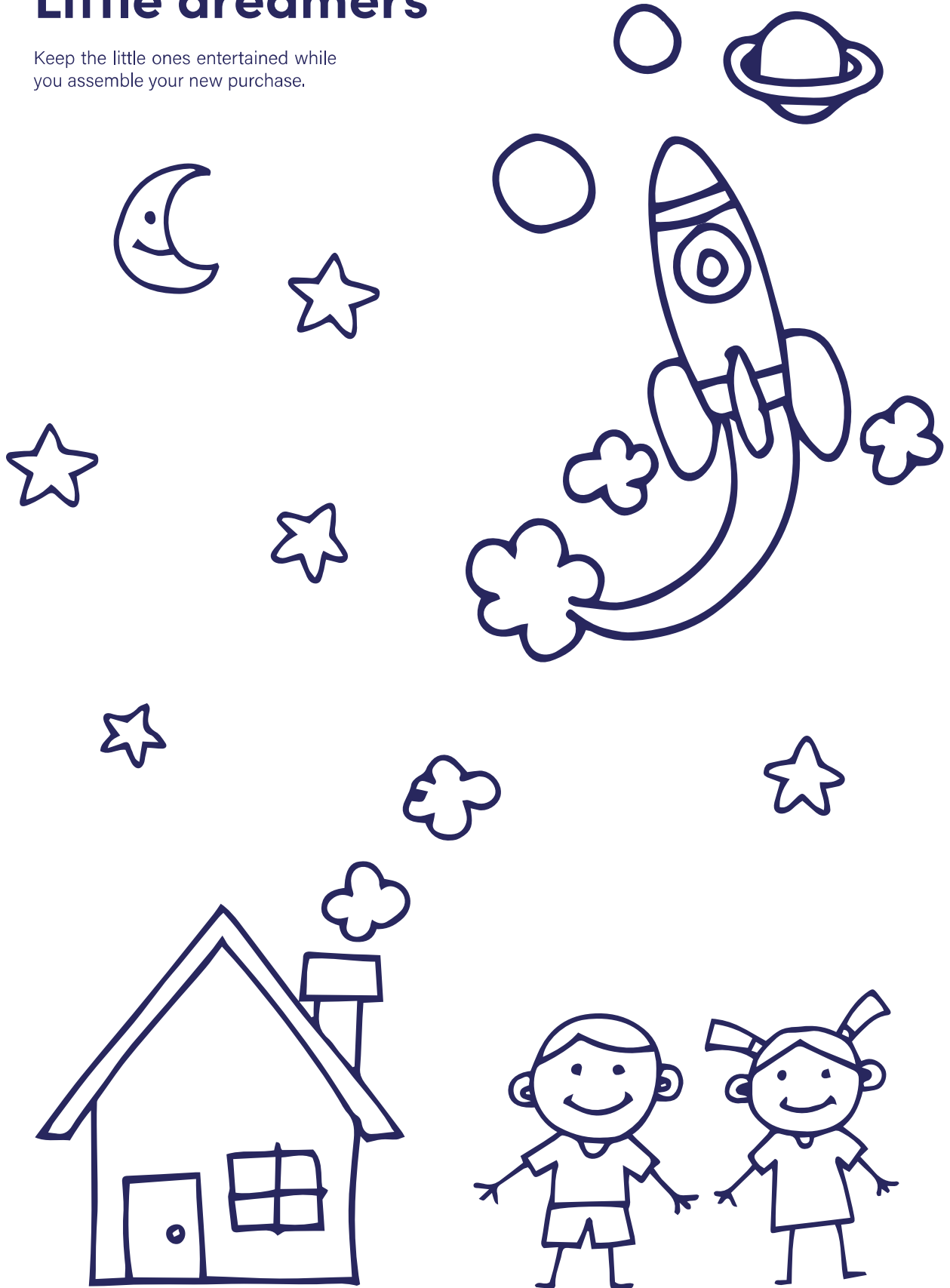
*Sleep well*





# Little dreamers

Keep the little ones entertained while you assemble your new purchase.



**Dreams**

