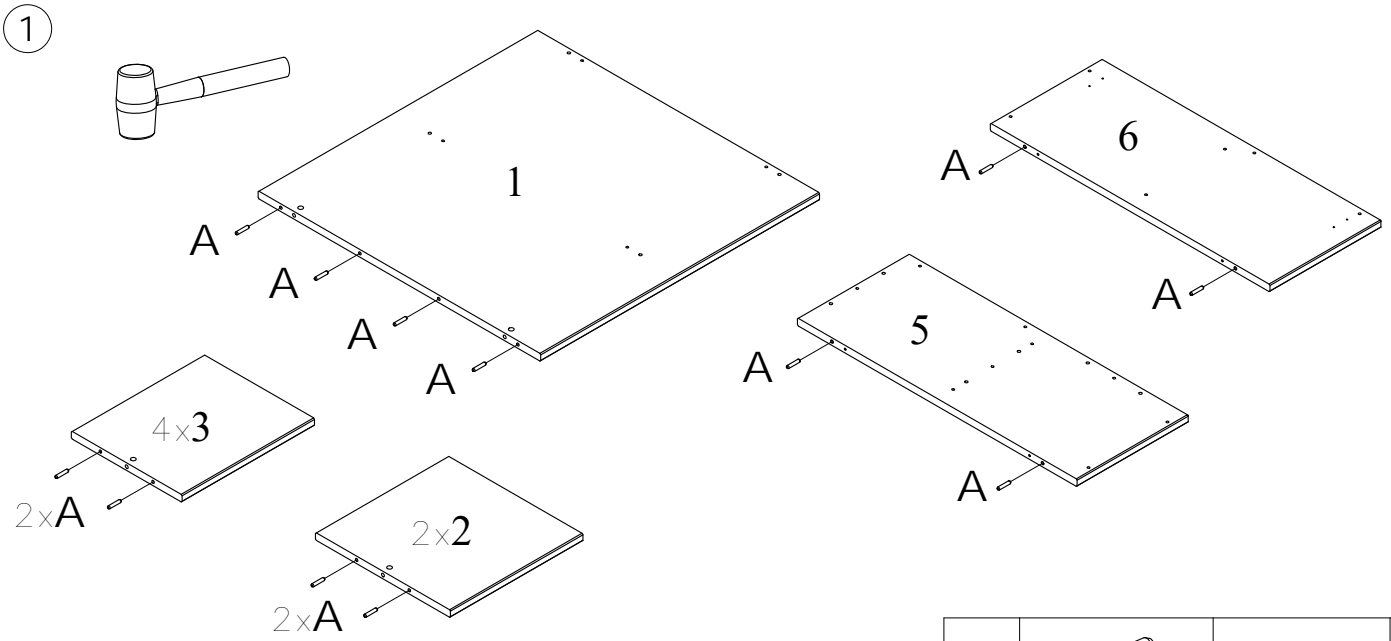


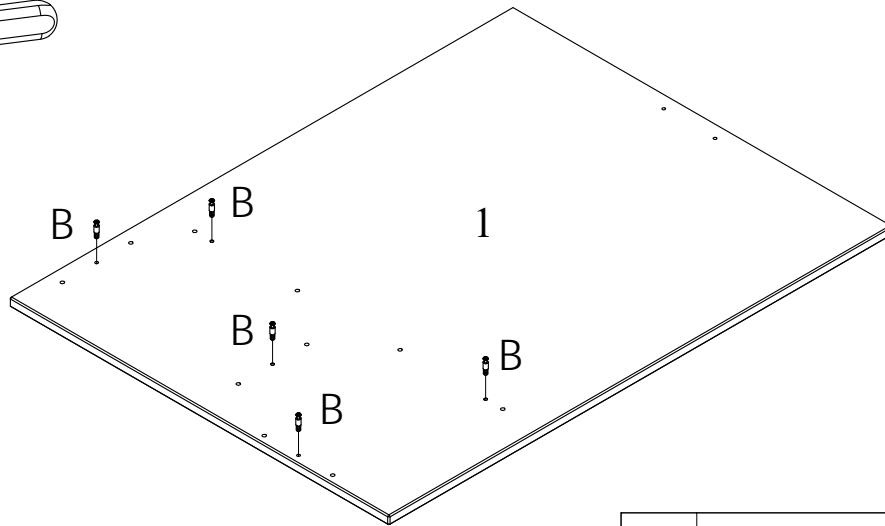
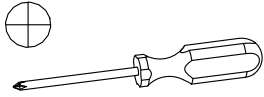
A		6x30	x20
B		6,5x27	x8
C		10x11	x8
D		5x38	x16
E		D28	x2
F		3,5x16	x4
G		4x30	x3

H		7x30	x1
J		D19x12	x1
P		D19x16	x1
K		4,5x60	x2
L		4,5x30	x2
M		60x30x3	x2
N		4mm	x1



A		6x30	x20
---	--	------	-----

②



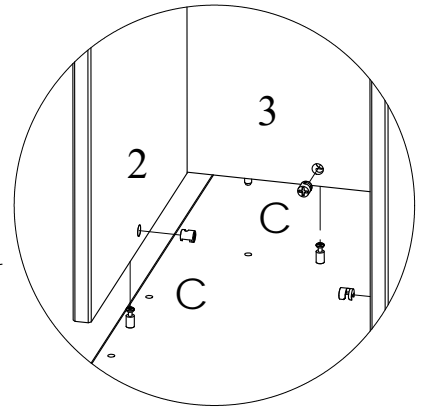
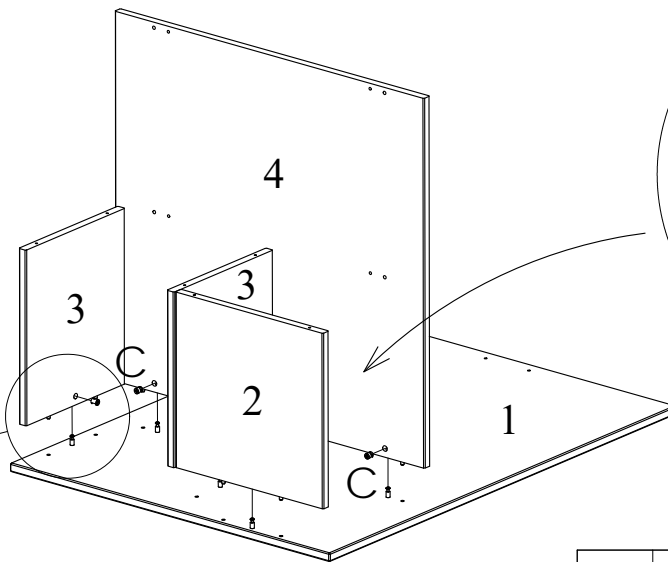
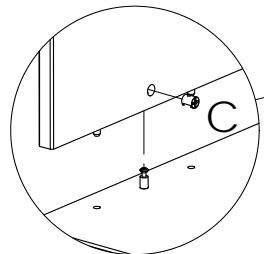
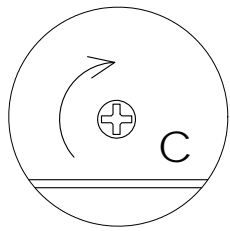
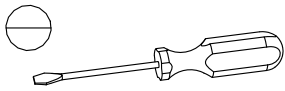
B



6,5x27

x5

③



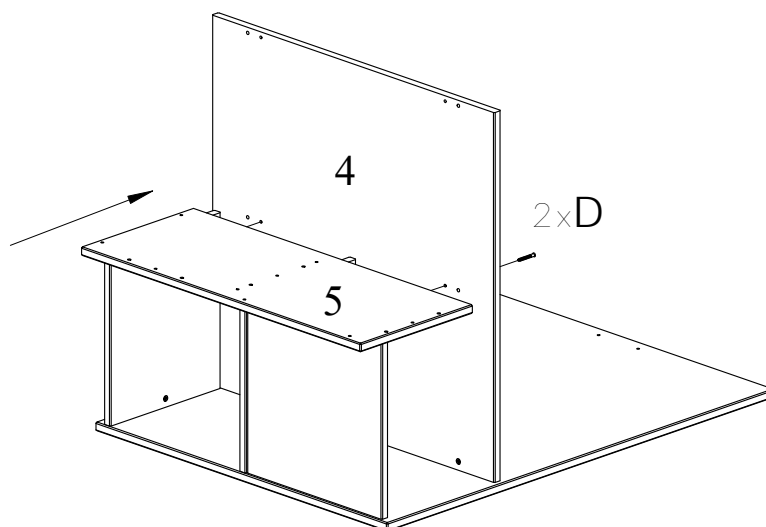
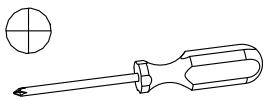
C



D10x11

x5

④



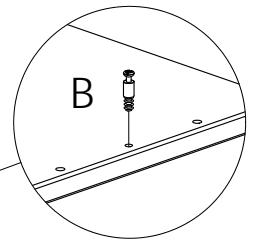
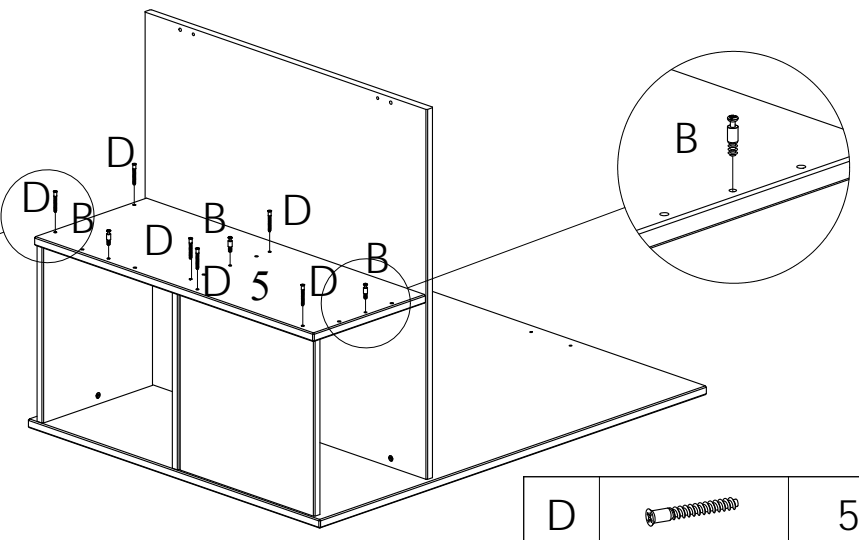
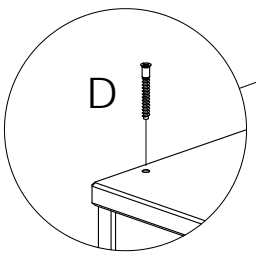
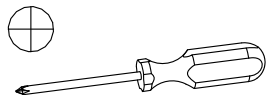
D



5x38

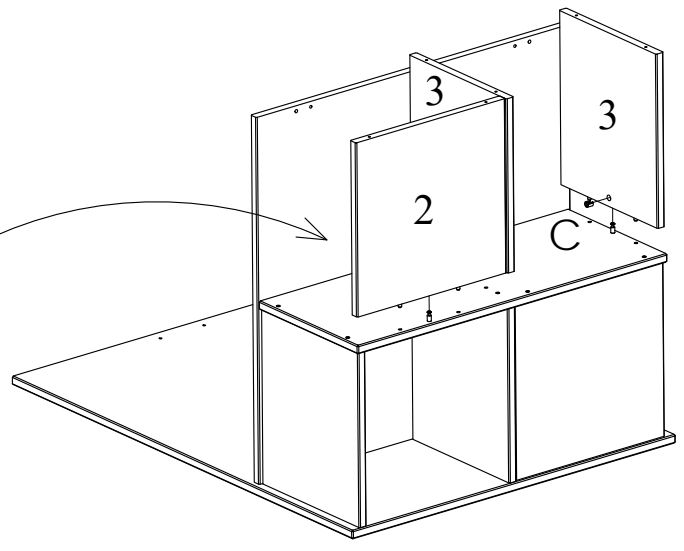
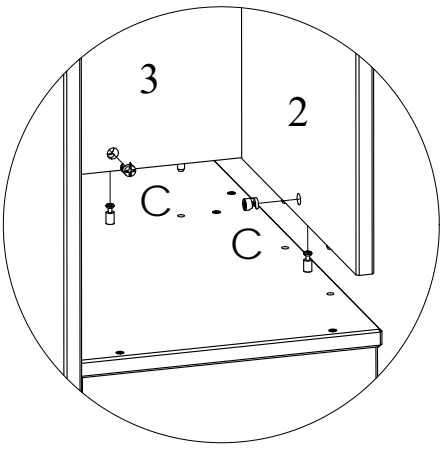
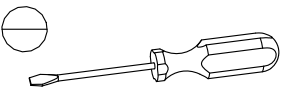
x2

5



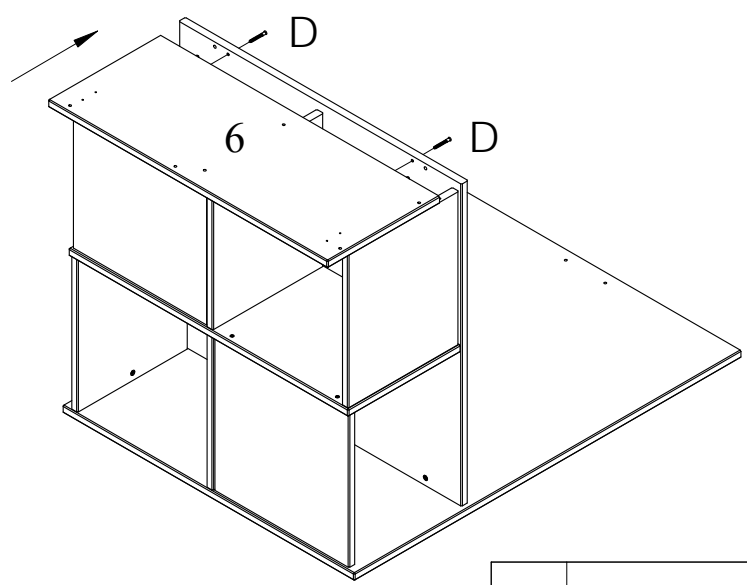
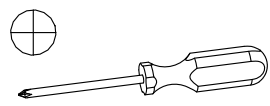
D		5x38	x6
B		6,5x27	x3

6



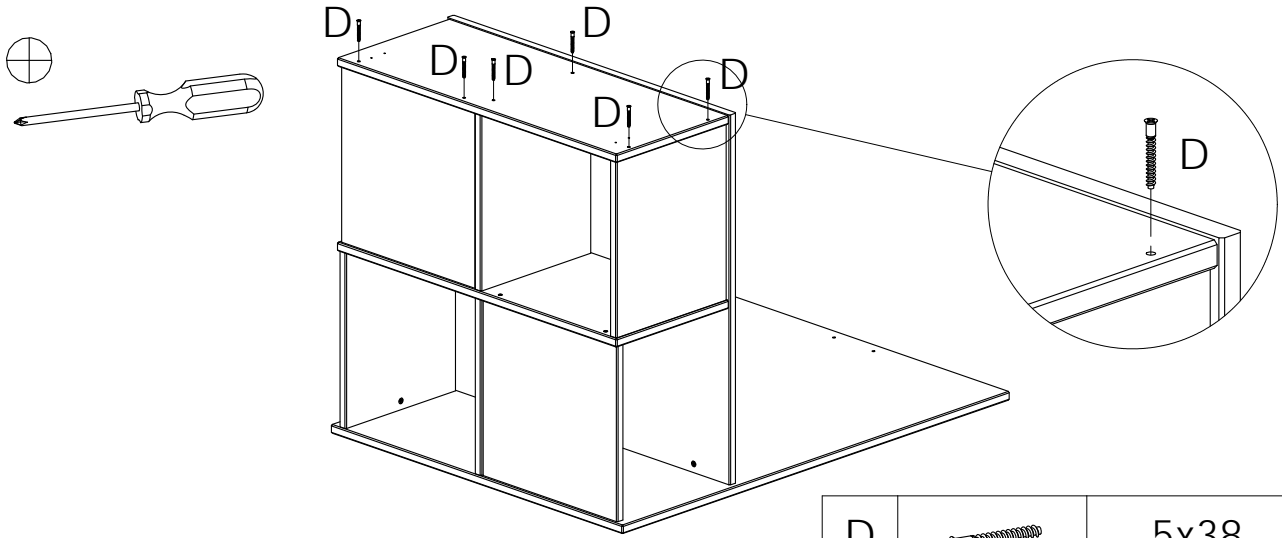
C		10x11	x3
---	--	-------	----

7



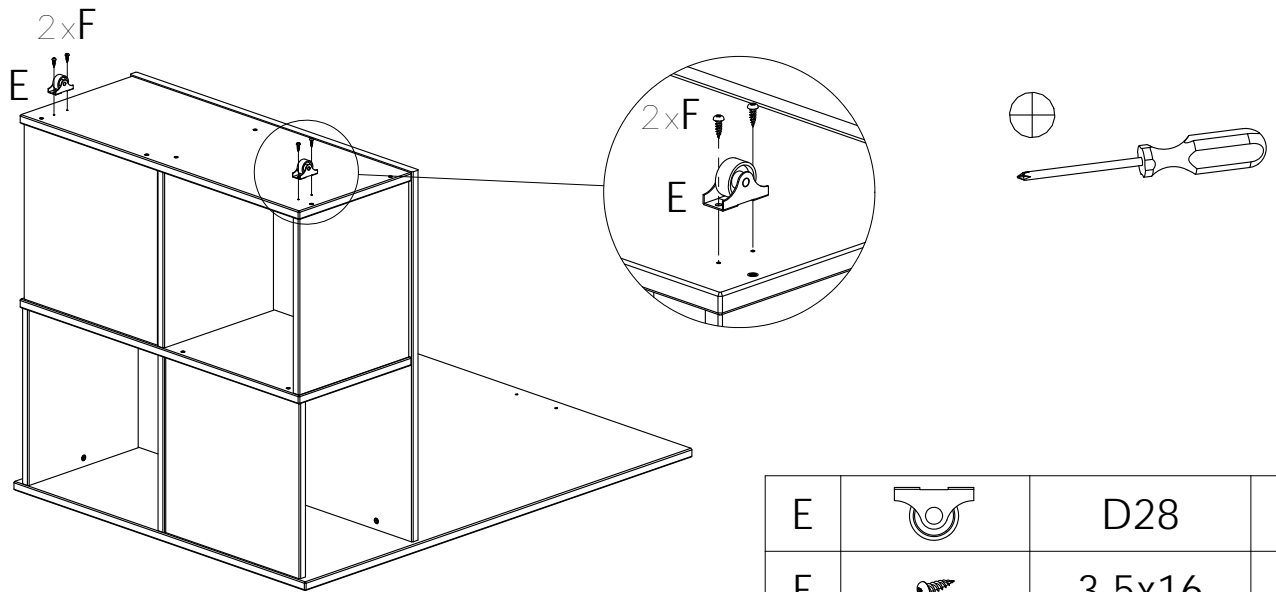
D		5x38	x2
---	--	------	----



8



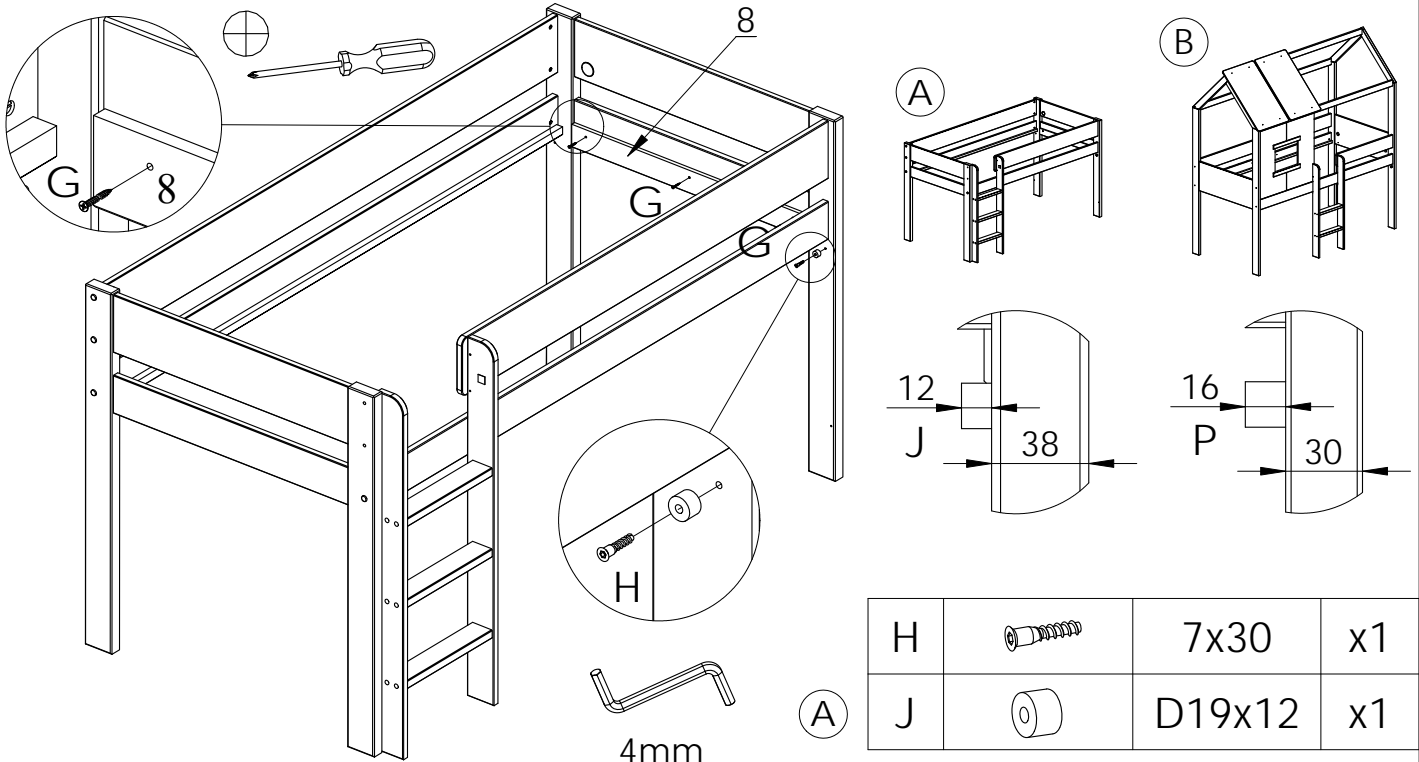
D		5x38	x6
---	---	------	----


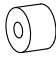

9




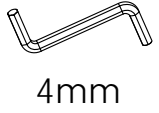
E		D28	x2
F		3,5x16	x4

10

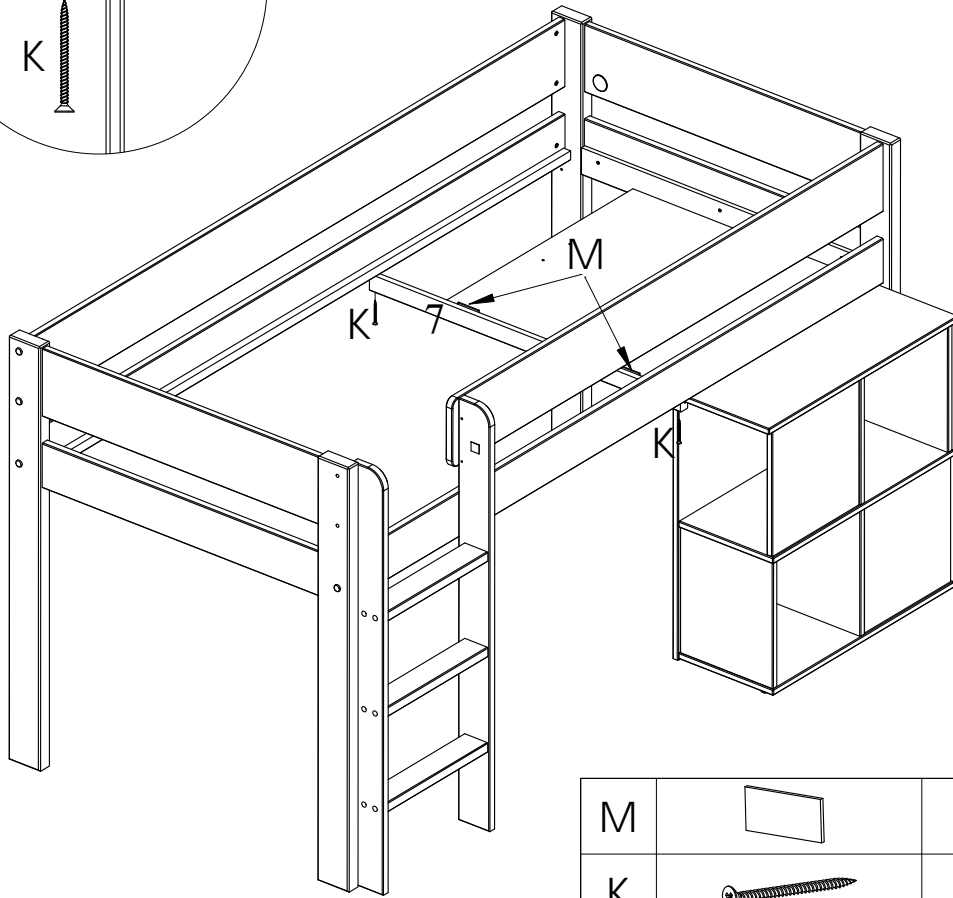
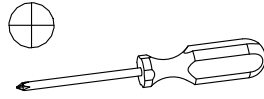
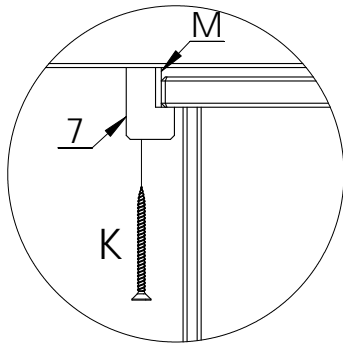


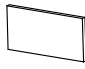

H		7x30	x1
A		D19x12	x1
B		D19x16	x1

G		4x30	x3
---	---	------	----

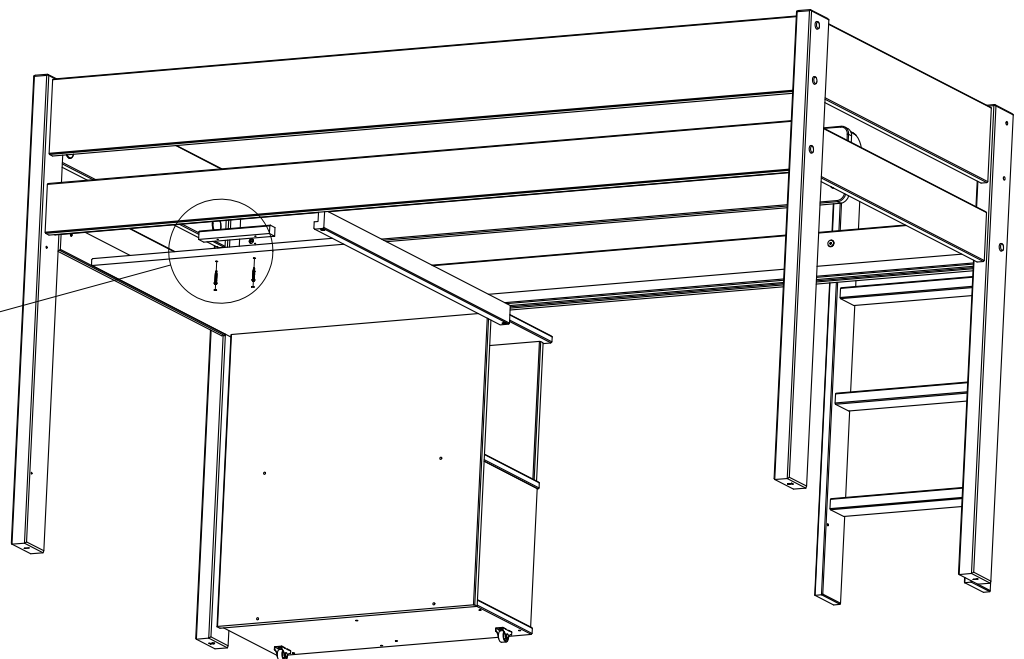
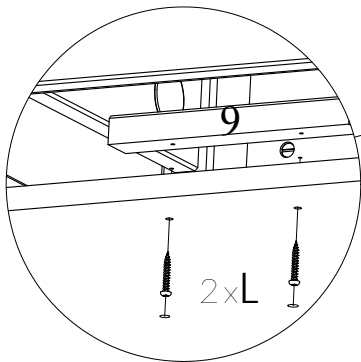
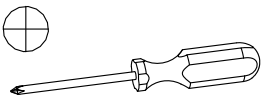



11



M		60x30x3	x2
K		4,5x60	x2

12



L		4,5x30	x2
---	---	--------	----