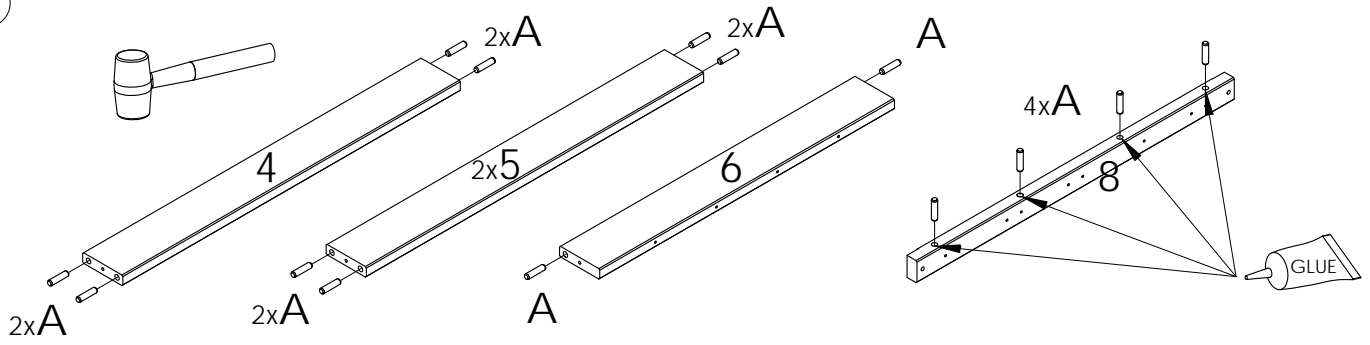
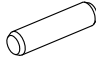


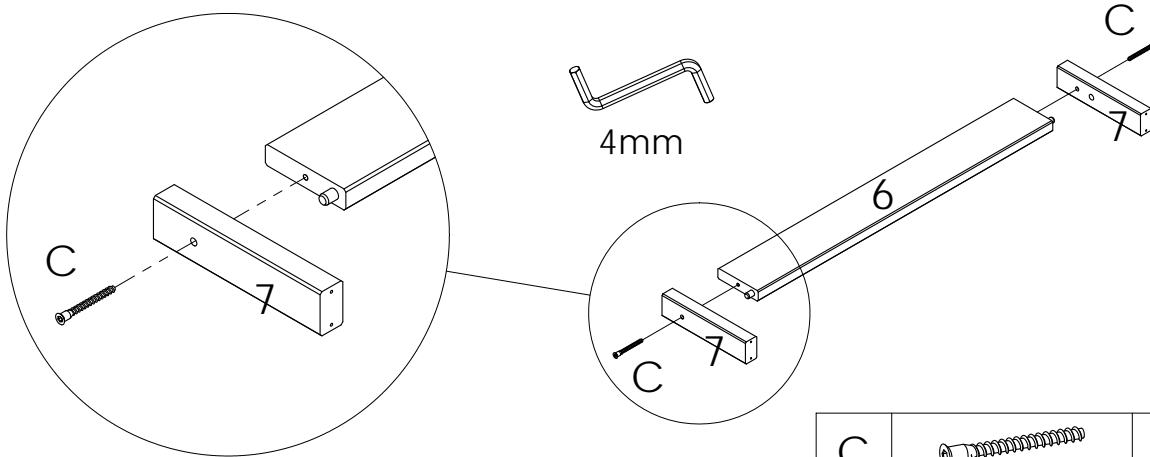
A		10x40	x18
B		7x50	x6
C		7x60	x4
D		5x38	x24
E		5x50	x2
F		D19x6	x2
G		D19x16	x2
H		D6x70	x2
J		D26	x2
K		3,5x16	x9
L		D4x13	x6
M		4mm	x1
N		GLUE	x1

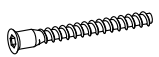
1



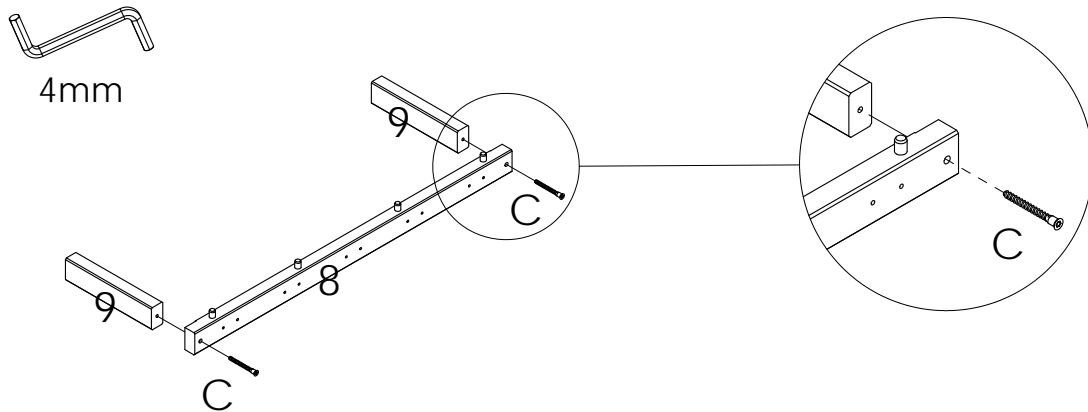
A		10x40	x18
---	---	-------	-----


2



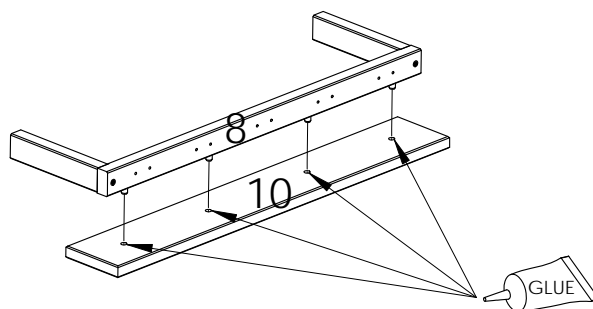
C		7x60	x2
---	--	------	----

3

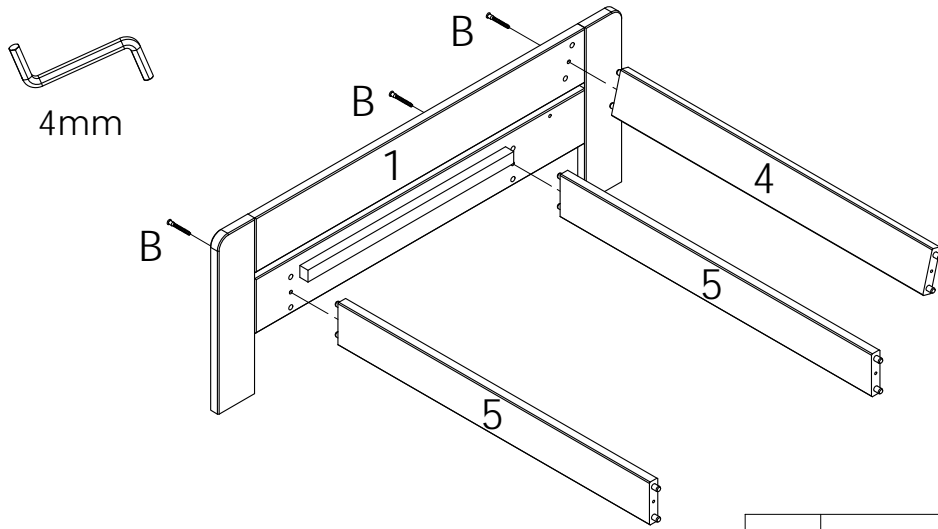



C		7x60	x2
---	---	------	----

4

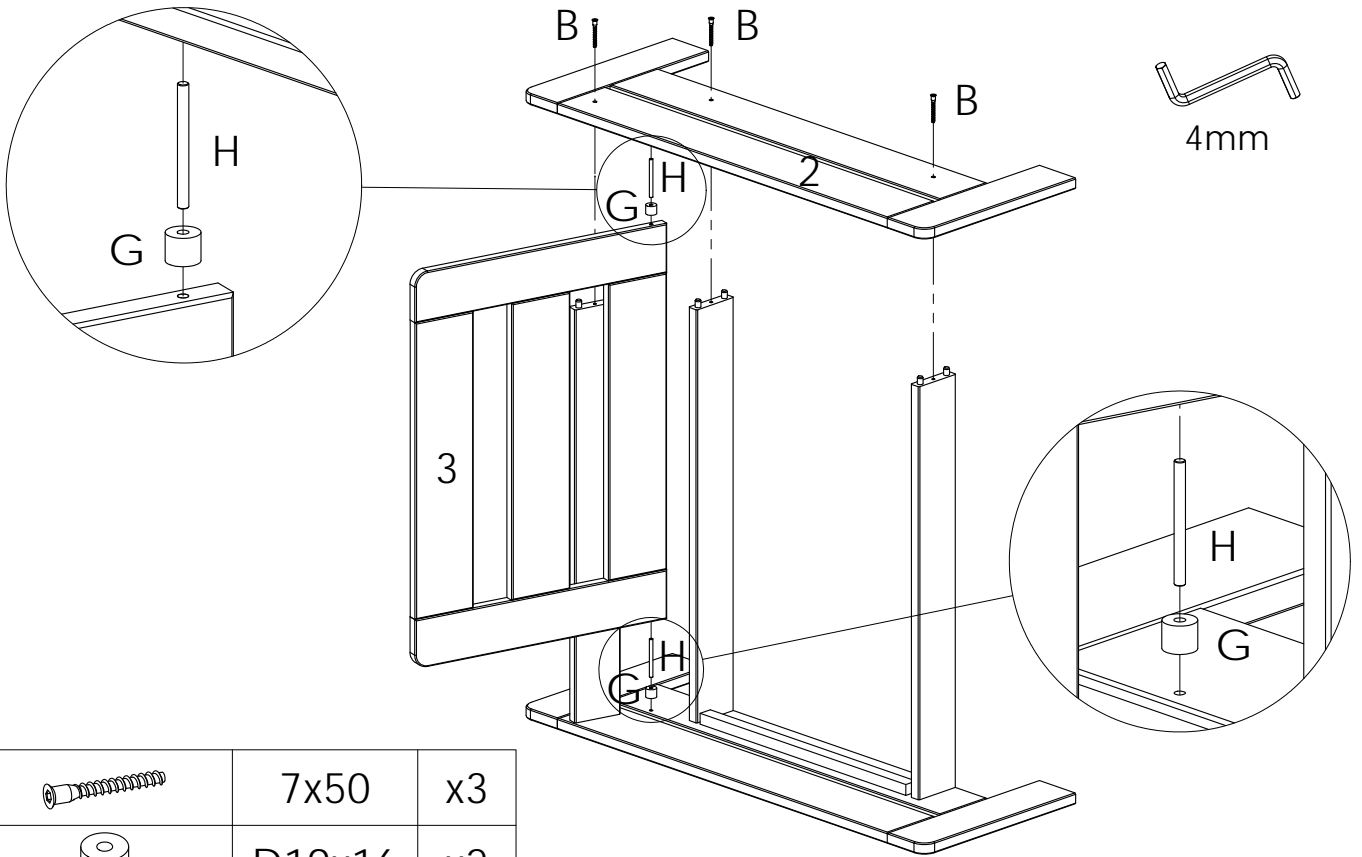





5



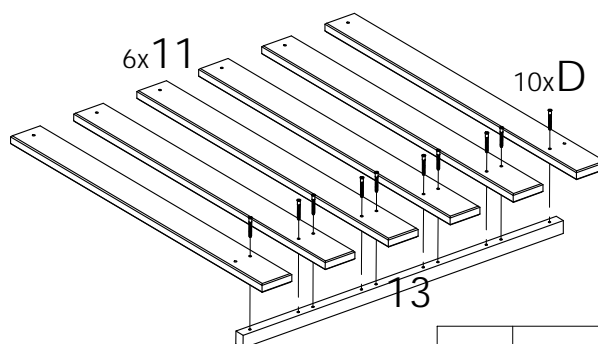
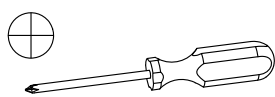
B		7x50	x3
---	---	------	----

6



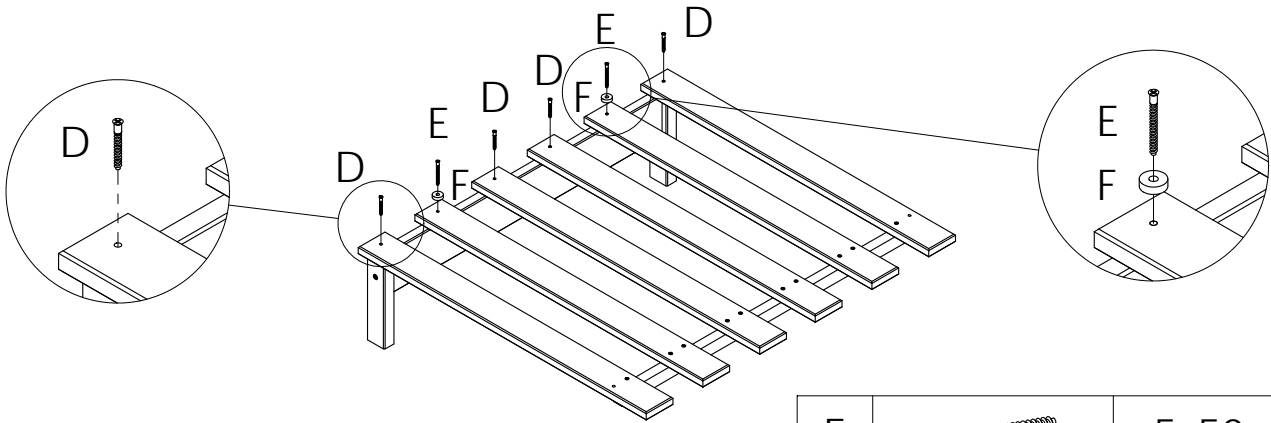
B		7x50	x3
G		D19x16	x2
H		D6x70	x2

7





D		5x38	x10
---	---	------	-----

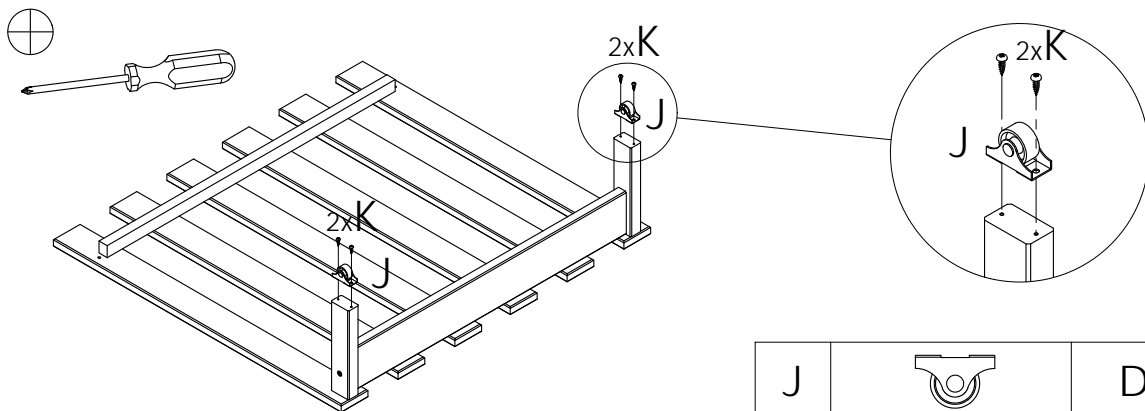
8





D		5x38	x4
---	---	------	----

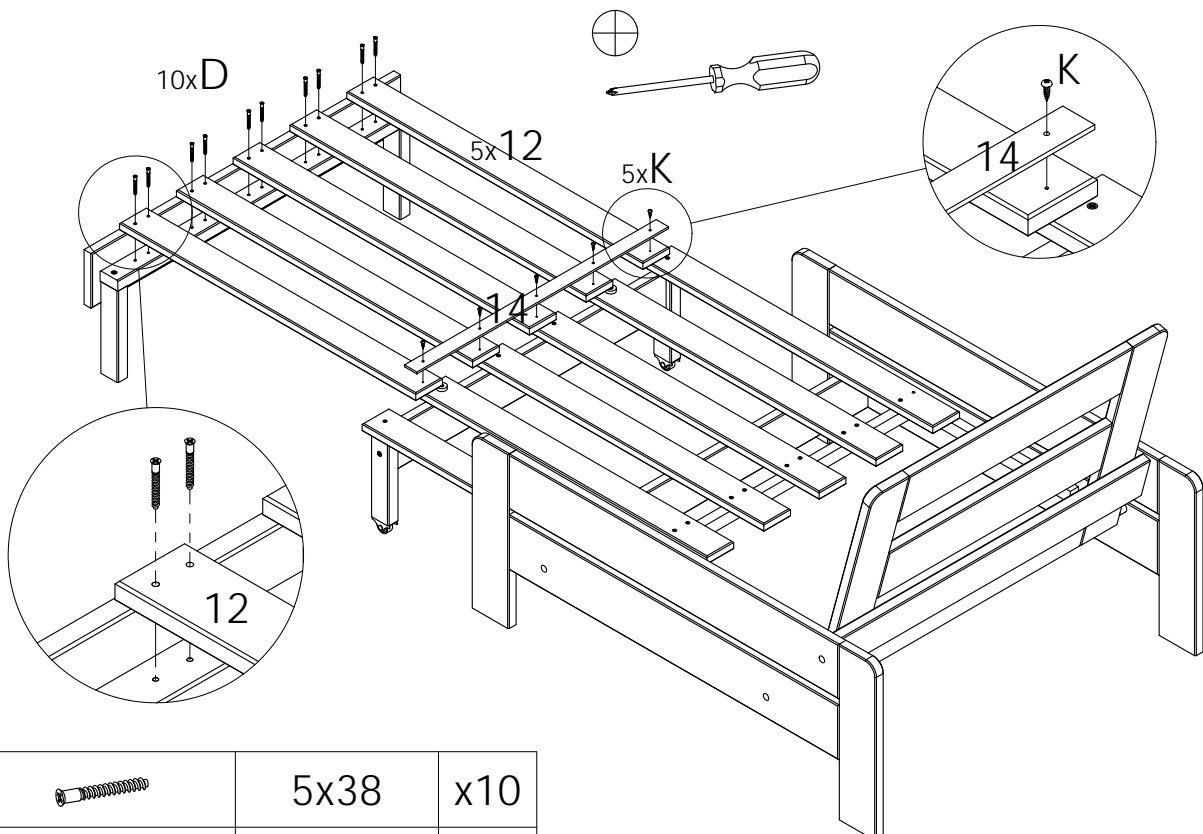
E		5x50	x2
F		D19x6	x2



9



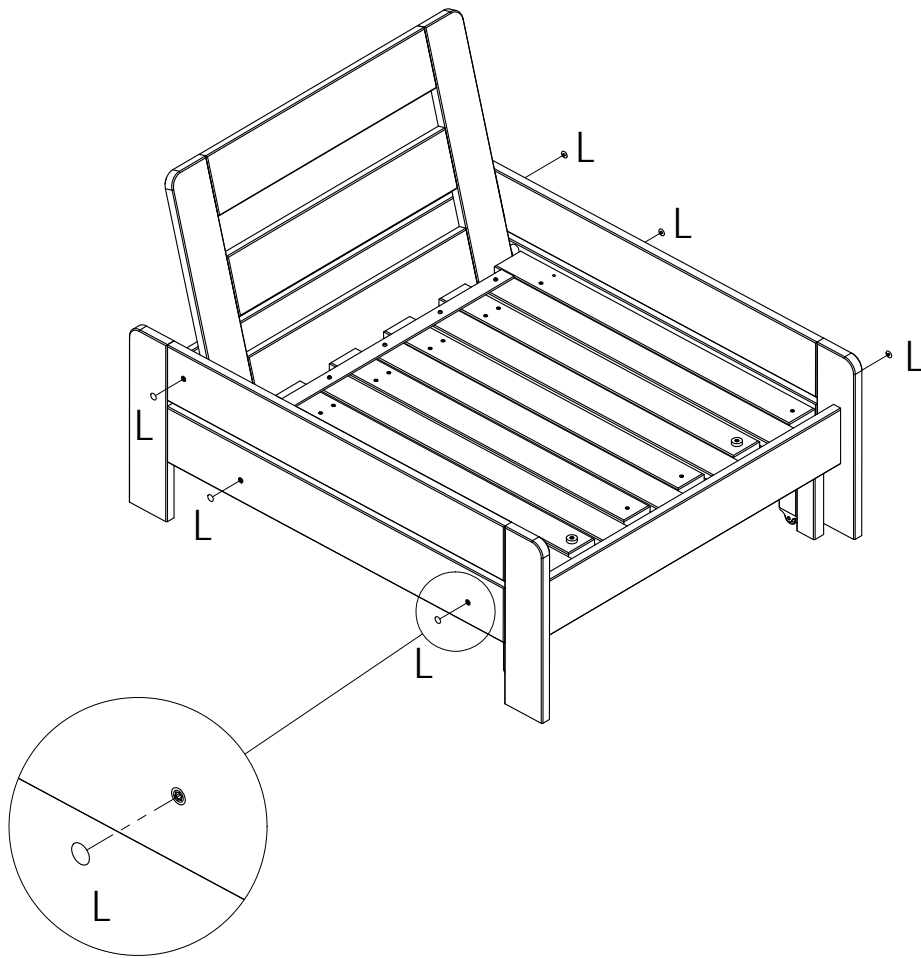
J		D26	x2
K		3,5x16	x4

10



D		5x38	x10
K		3,5x16	x5

11



L



D4x13

x6