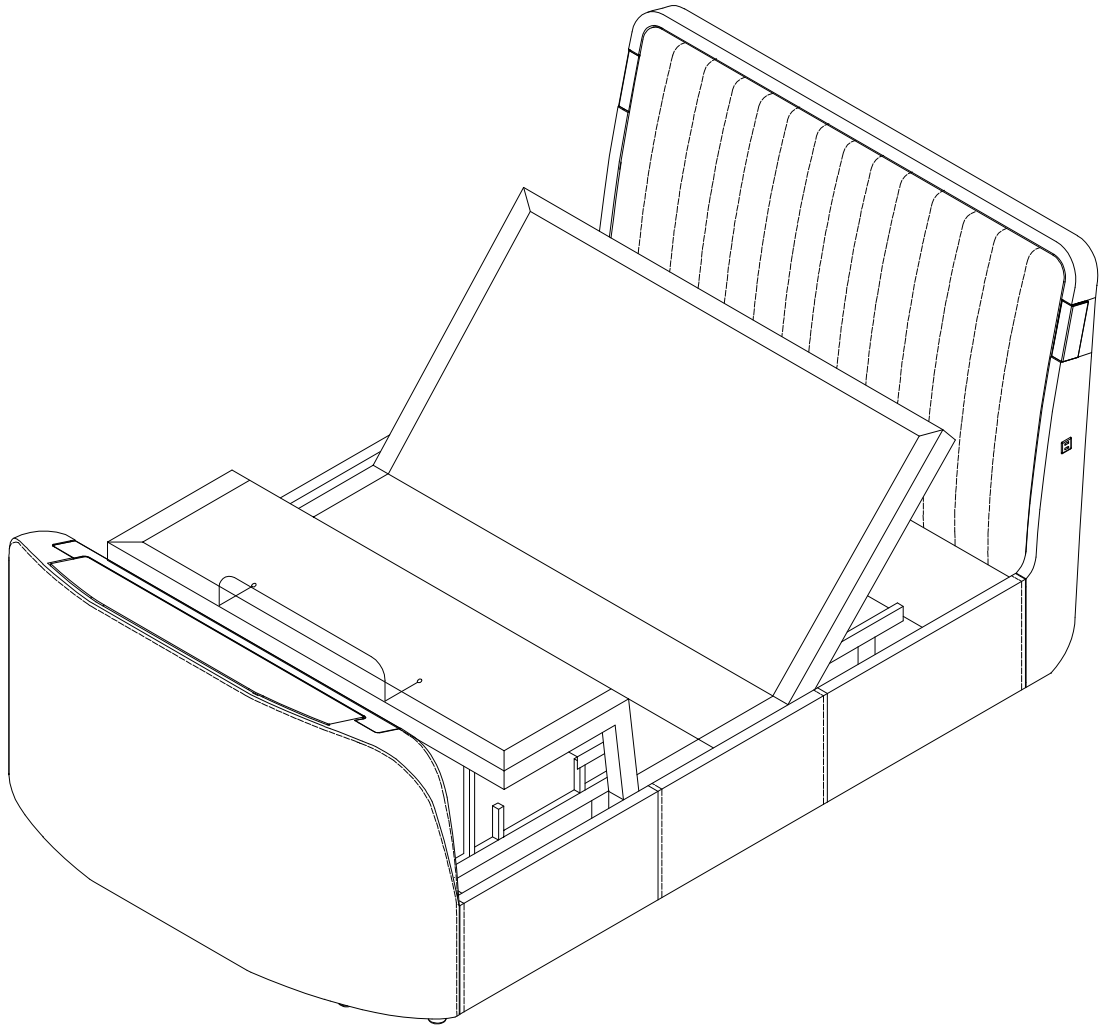
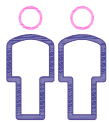


# Yokohama TV Bed Sleepmotion



1 hour approx  
assembly time



Two person  
assembly

**Dreams**

# Thank you

Hello, thanks for choosing to purchase your bed from Dreams - you're now on your way to your best ever night's sleep. Before you begin building your bed, please take a moment to read through the instructions and make sure that you've got all the relevant parts listed on the following pages.



## Assembly tips

Before you begin, it's best to identify all parts and fittings to build your bed. We advise laying these out on the floor to check you have everything, and familiarising yourself before building.



## Top tip

We recommend that you build your new bed in the room you'd like it to be located - this will help prevent any risk of damage to your newly built bed whilst moving it.



## Safety and care

It's really important to ensure children and animals are kept away from the assembly area, as there are small components used in this bed which could present a choking hazard. All plastic and wrapping materials should also be kept away from children and animals to prevent any risk of suffocation. To keep your little ones busy, there is a colouring page inside the back cover.



## Help and support

At Dreams, it's our mission to give the whole nation a great night's sleep - this means that the quality of our products is of utmost importance to us. If there are any issues with your product or any missing parts, please visit our website at [www.dreams.co.uk/help](http://www.dreams.co.uk/help)



## Recycling

Please ensure that packaging is disposed of in a safe and environmentally friendly way, and recycle where possible. Please keep your assembly instructions safe to refer back to in the future.

## UK Tech Support

Email: [support@bssbfurnitureinnovation.com](mailto:support@bssbfurnitureinnovation.com)

Tel: 01462 600 064

## Important Information

- We suggest you spend time reading through this leaflet and then follow the simple step-by-step instructions.
- Carefully check that you have all the parts before beginning assembly.
- Keep fittings out of children's reach and keep children well away from construction area.

We suggest you retain these instructions for future reference.

## Technical description:

An electro-mechanically operated TV bed with a wireless remote control to operate the 'upward' and 'downward' movement of the TV mechanism in the bed base foot-end. The system consists of either a 'posture slatted' or ottoman type 'boarded bed base'. The product has an integrated speaker system built into both the foot-end and head-end bases. The product does not contain any safety functions built into a control system and is powered by voltage 100V - 240V 50/60Hz with a UK plug conforming to BS 1363 and pre-approved (UKCA/ CE marked) power supply unit. The beds upholstery conforms to EN 1725 & BS 5852 Standards. The product is sold to the retailer - without mattress and TV unit.

## Intended use:

The product is designed for indoor home, domestic use where TV beds are considered suitable for "adults of 12 years and above". Its main intended use is for sleeping or resting. However, the foot-end of the bed has been designed and manufactured to accommodate, raise and lower, compatible televisions, purely for the purpose of the experiencing media entertainment.

TV Lift System has a maximum load capacity of 80lbs (37kg)

Compatible with slimline LED Televisions with a screen size between 20" and 43"

Maximum TV Dimensions are as follows - Depth 90mm x Width 970mm x Height 580mm (WITHOUT STAND).

(Note: The manufacturer does not accept any responsibility for damages caused to Televisions or Bed Frame Foot-ends, in scenarios or instances where a 'none compatible Television has been selected. Depths of TV and 'rear cable' protrusion measurements should be of particular note.

## Application environment:

This product is designed for sale in the UK for use within a domestic environment (excluding nursing homes, geriatric facilities, hospitals, contract environment). The product is designed to be moved only within the intended room of use, for cleaning and for access.

## Care Instructions

- Avoid exposing the furniture to excessive heat or direct sunlight as this can cause cracking and deterioration of the color.
- Periodically check & re-tighten any fastener.
- Periodically dust lightly with a clean soft cloth.
- Do not use silicone based furniture polish.
- Any spills should be removed immediately with a soft damp cloth.
- TAKE CARE WHEN MOVING THE FURNITURE AND NEVER DRAG THE PIECES ACROSS THE FLOOR, AS THIS WILL CAUSE DAMAGE TO THE JOINTS.

**DO NOT USE ANY POWER TOOLS AS THIS MAY DAMAGE THE FRAME AND WILL  
INVALIDATE ANY CLAIM**

## Tips before you start!

1. Please check that all parts are present before you start the assembly of your furniture.
2. For ease and speed of assembly, we recommend that before you commence each step of the assembly, that you identify all the parts required for that step.
3. For larger items, please ensure that you have sufficient space and people (as indicated on page 1) to assemble your product safely. (Minimum Two Persons)
4. We recommend where possible, all items are assembled near to the area where they will be placed in use, to avoid moving the product unnecessarily once assembled.
5. Please ensure that your bed is placed on a level floor area. (Avoid setting up and installing your bed on uneven floor surface.)
6. For the protection of your furniture, we recommend that the product is placed on a protected surface during assembly to prevent any damage.
7. During assembly please take care not to over-tighten any fittings, as this may damage the product.

## Care and Maintenance of your Furniture

- Please do not jump on your furniture.
- Never allow any kind of liquid to remain on your furniture. This can cause finishes to de-laminate. Take care when spraying Perfume and deodorants etc as the vapour can settle on the fabric surface and cause damage.
- The bed should always be lifted into position if moved for cleaning.
- In instances the TV lift mechanism or audio system are not functioning correctly, please switch off main power and check all the connections and assemblies are to the assembly instruction specification.

### **ATTENTION! PLEASE NOTE:**

In the event you are experiencing any technical difficulties and you require additional assistance/support with your product 'Mechanical/ Electrical' function - Please contact:

**SUPPORT EMAIL : [support@bssbfurnitureinnovation.com](mailto:support@bssbfurnitureinnovation.com)**

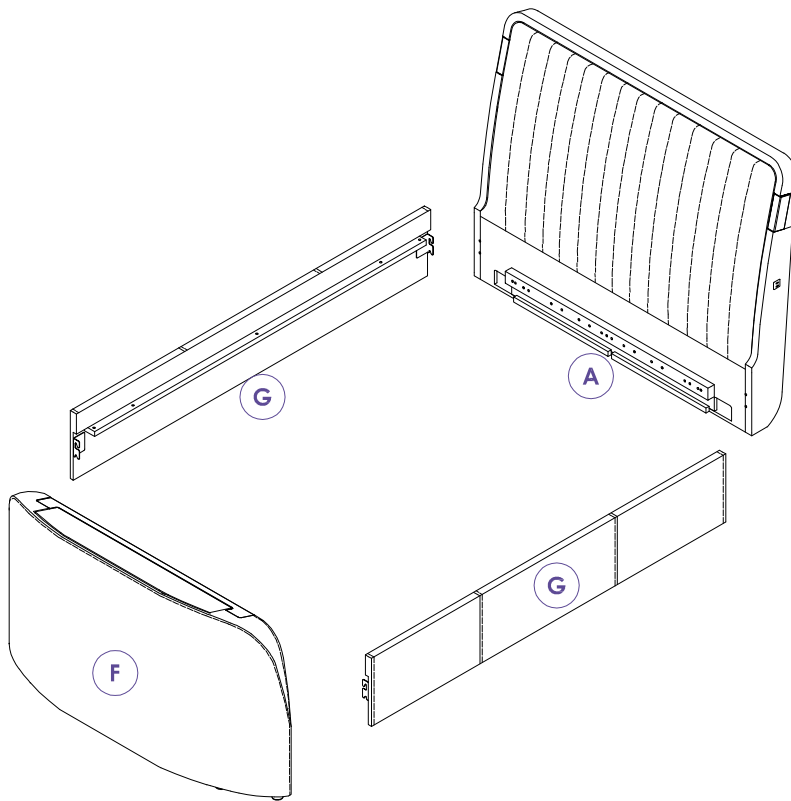
**UK PRODUCT SUPPORT HOTLINE : 01462600064**

Contact your retailer for all other issues such as damage, missing or faulty components ( non electrical ) or anything else of a non technical/electrical nature.

# Parts

## Important information

Please identify which base you have purchased with your bed frame as the assembly method may change. Once you have identified you have all of the relevant parts and fittings, please follow the instructions for your chosen base below;

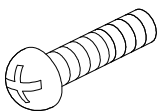


## Parts list

- |    |           |                          |
|----|-----------|--------------------------|
| A. | Headboard | <input type="checkbox"/> |
| F. | Footboard | <input type="checkbox"/> |
| G. | Side Rail | <input type="checkbox"/> |

# Fittings

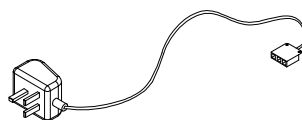
Please check you have all the parts listed below with your product:



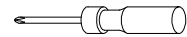
(T) M8 x 25  
x 8 pcs  
(Pre-Installed)



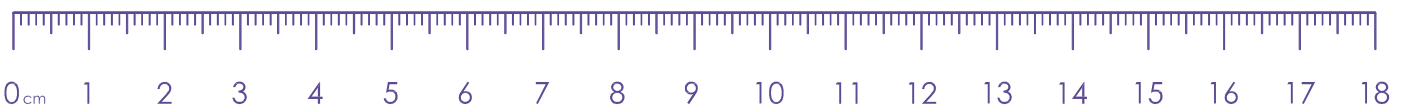
(W) M4 x 12mm  
x 4 pcs  
(Pre-Installed)



(AC) 3 Way AC Adaptor  
x1 pc



(AE) Screwdriver  
x1 pc



# Tools required

Please check you have all these below:



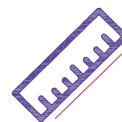
Flathead  
screwdriver



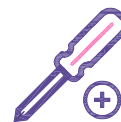
Scissors



Spanner



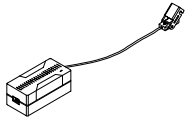
Tape measure



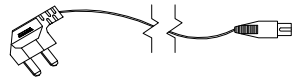
Cross head  
screwdriver

# Fittings (TV Lift & TV Connection)

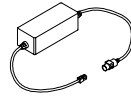
Please check you have all the parts listed below with your product:



(12) AC Adaptor  
x 1 pc



(13) TV lift up mechanism AC/  
power cable power plug  
x 1 pc



(14) Control box  
x 1 pc



(15) Cable Clip  
x 2 pcs



(16) Aerial Connection  
x 1 pc



(17) 90 degree HDMI adaptor  
x 1 pc



(18) Allen Key (M4)  
x 1 pc



(19) PH M4 x 20mm  
x 2 pcs



(20) PH M5 x 20mm  
x 2 pcs



(21) PH M6 x 20mm  
x 2 pcs



(22) PH M8 x 20mm  
x 2 pcs



(23) M5 Washer  
x 2 pcs



(24) M6 Washer  
x 2 pcs



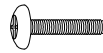
(25) M8 Washer  
x 2 pcs



(26) Plastic Collar  
x 6 pcs



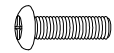
(27) PH M4 x 40mm  
x 2 pcs



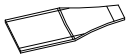
(28) PH M5 x 40mm  
x 2 pcs



(29) PH M6 x 40mm  
x 2 pcs



(30) PH M8 x 40mm  
x 2 pcs



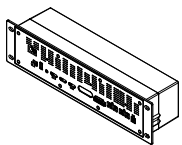
(31) Wireless Remote  
Control Pocket  
x 1 pc



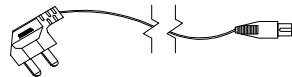
(32) Cable Clip  
x 2 pcs

# Fittings (Audio / Speaker Connection)

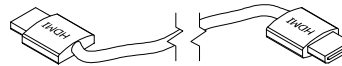
Please check you have all the parts listed below with your product:



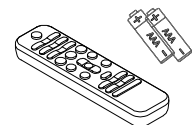
(VIII) Amplifier  
x 1 pc



(X) AC Power Cord  
x 1 pc



(XI) HDMI Cable  
x 1 pc

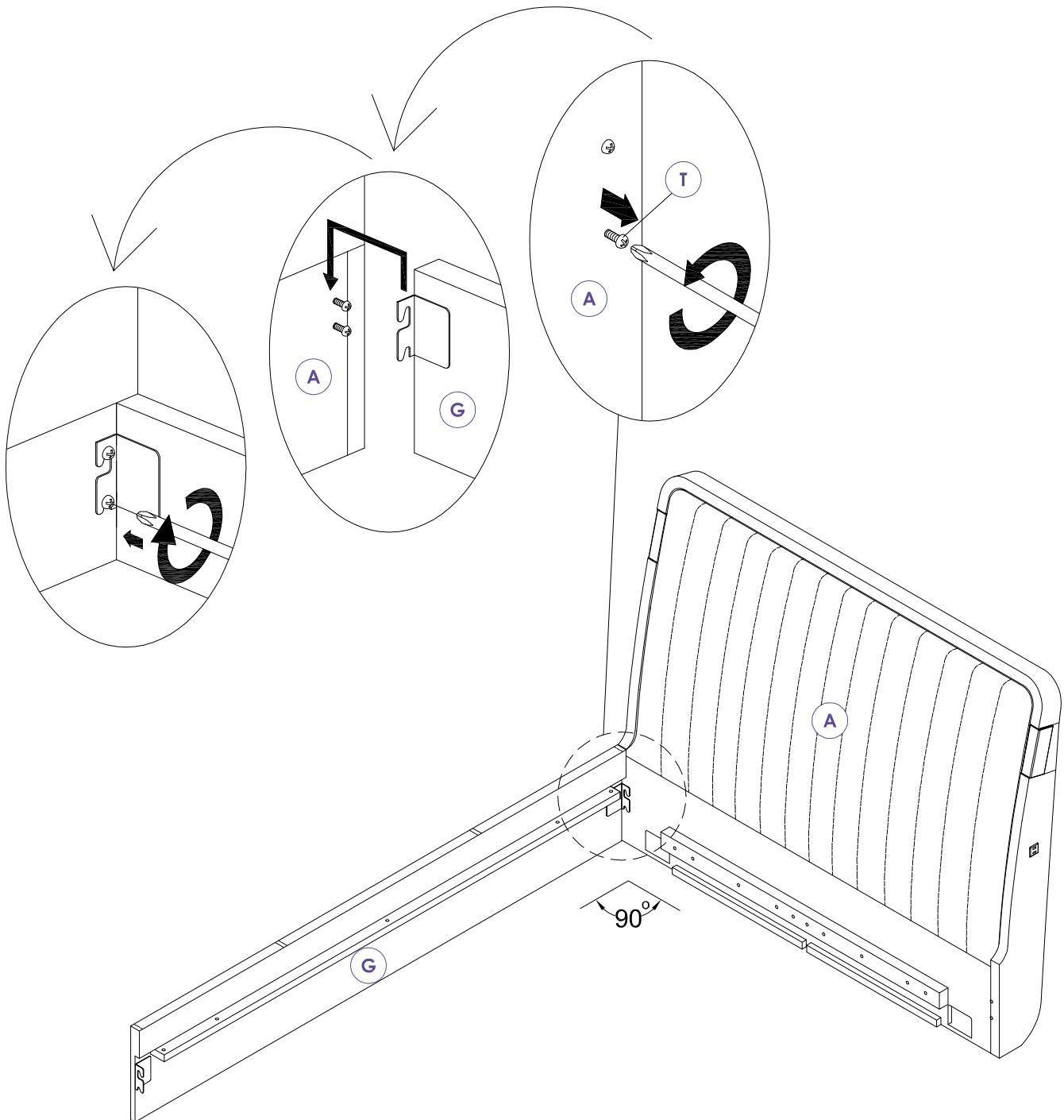


(XII) Remote Control x 1  
Batteries x 2

# Side Rail Assembly

1

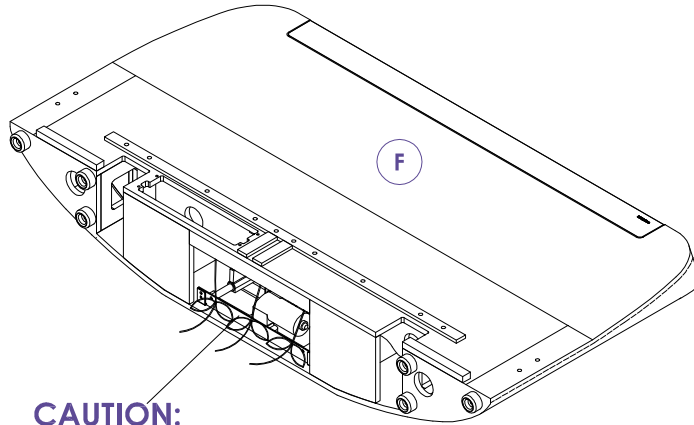
- Loosen the bolts located in the head end. (Note: only loosen the bolts Do NOT remove them.)
- Hook the side rail over the bolts as shown.
- Leave bolts finger tight (Do Not Tighten).



## Foot End Hardware

2

- Carefully remove the footboard from carton 2.
- To do this you will need to gently lay the foot end on it's back. Before doing so please ensure the area is completely free of anything that may cause damage or press into the fabric. Place a protective cover on the floor to avoid possible damage.
- The accessories box are held in place by string please carefully cut these.

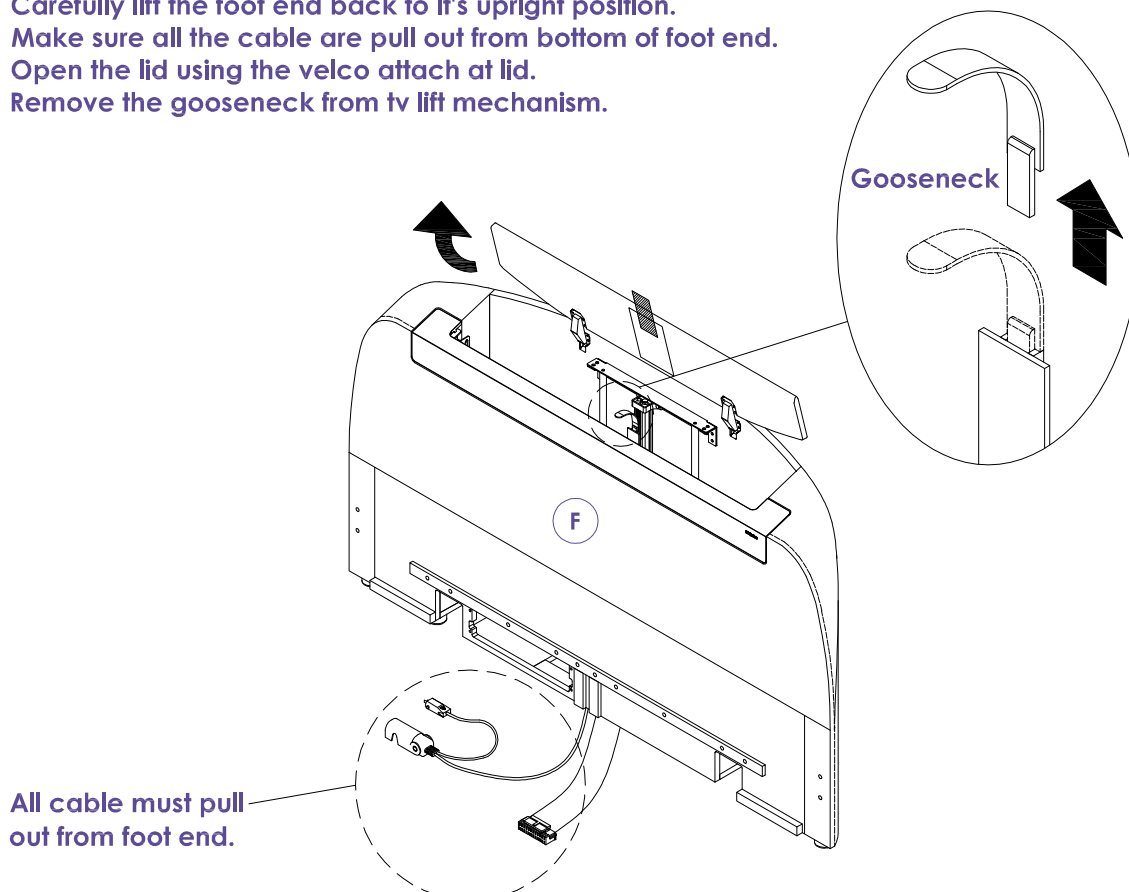


**CAUTION:**  
PLEASE USE SCISSORS  
TO CUT THE THREE STRING.

## Foot End Hardware

3

- Carefully lift the foot end back to it's upright position.
- Make sure all the cable are pull out from bottom of foot end.
- Open the lid using the velco attach at lid.
- Remove the gooseneck from tv lift mechanism.



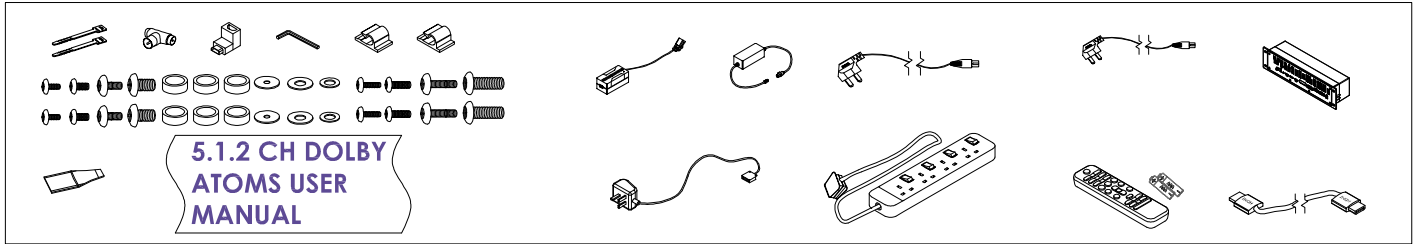


# Foot End Hardware

4

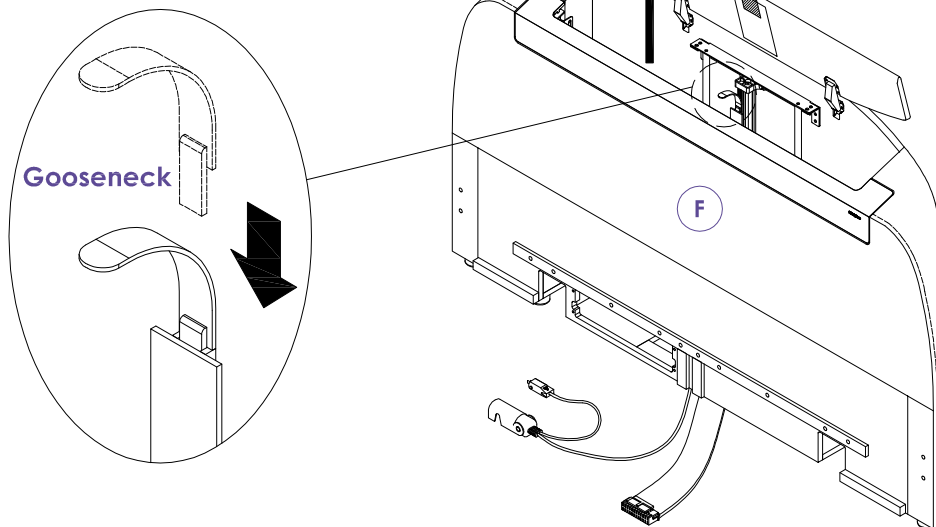
- Remove the Hardware Box from inside.
- Attach back the gooseneck to the tv mechanism.
- Remove the velco from the lid.

## Hardware Box



**CAUTION:**  
TAKE CARE WHEN REMOVING  
THE ACCESSORY BOXES NOT  
TO CATCH YOUR HANDS ON  
THE SIDES.

Remove the velco after take out the  
hardware box from foot end.



## ATTENTION! PLEASE NOTE:

In the event you are experiencing any technical difficulties and you require additional assistance/support with your product 'Mechanical/ Electrical' function - Please contact:

SUPPORT EMAIL : [support@bssbfurnitureinnovation.com](mailto:support@bssbfurnitureinnovation.com)

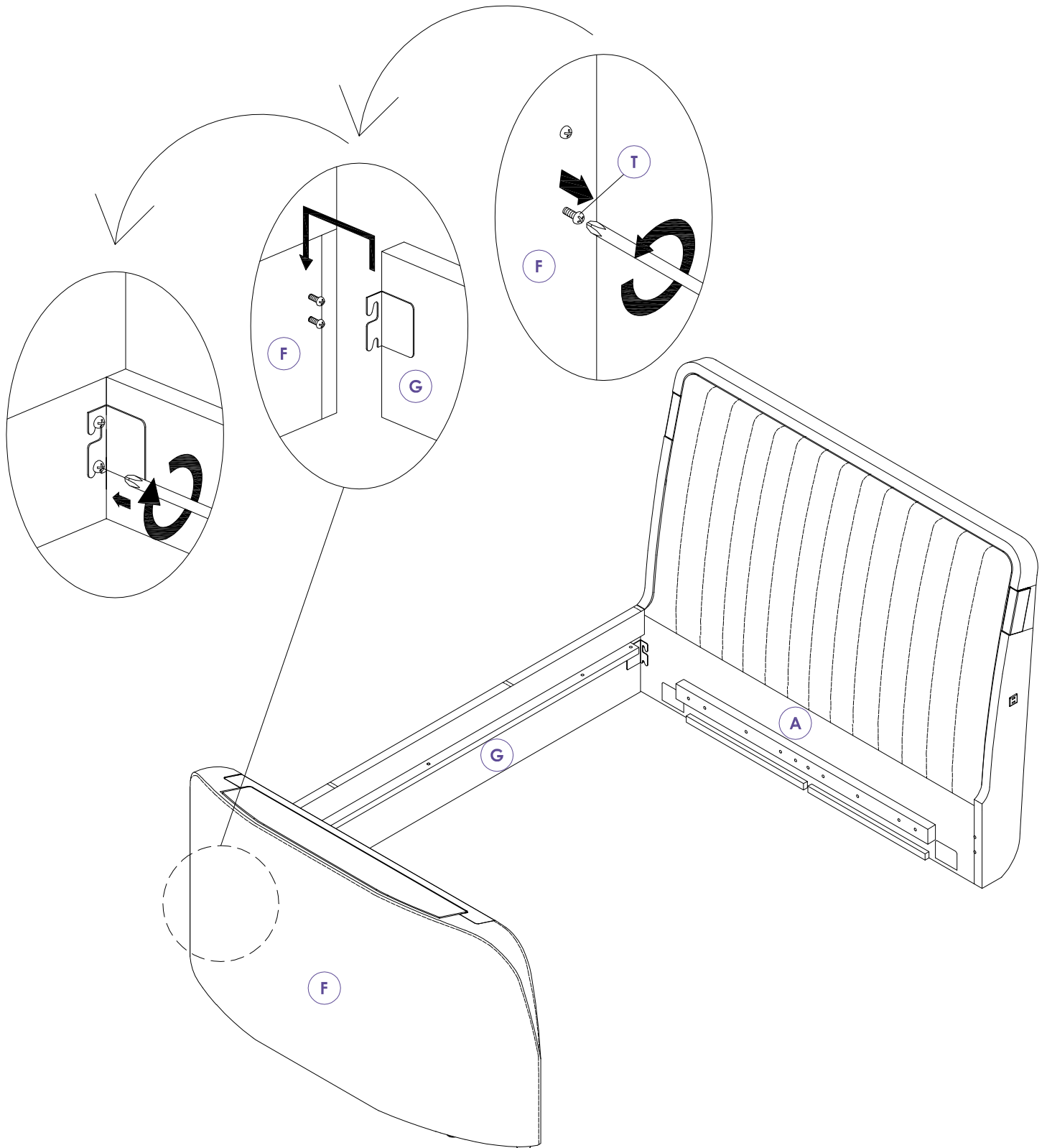
UK PRODUCT SUPPORT HOTLINE : 01462600064

Contact your retailer for all other issues such as damage, missing or faulty components ( non electrical ) or anything else of a non technical/electrical nature.

# Foot End & Side Rail Assembly

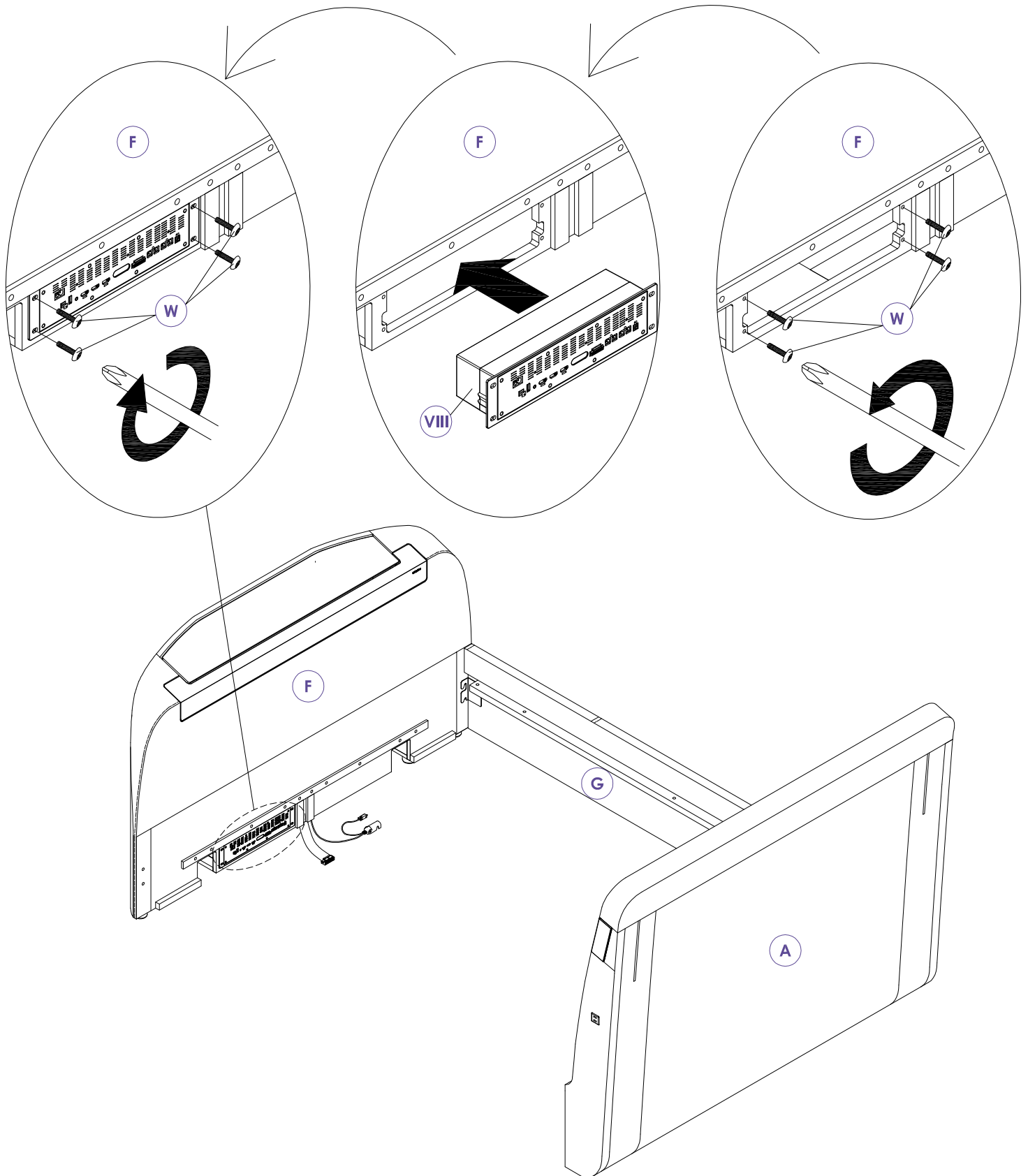
5

- Loosen the bolts located in the foot end.
- Please note these should only be loosened and **NOT** removed.
- Hook the side rail brackets over the bolts on both sides.
- Leave bolts finger tight (Do Not Tighten).



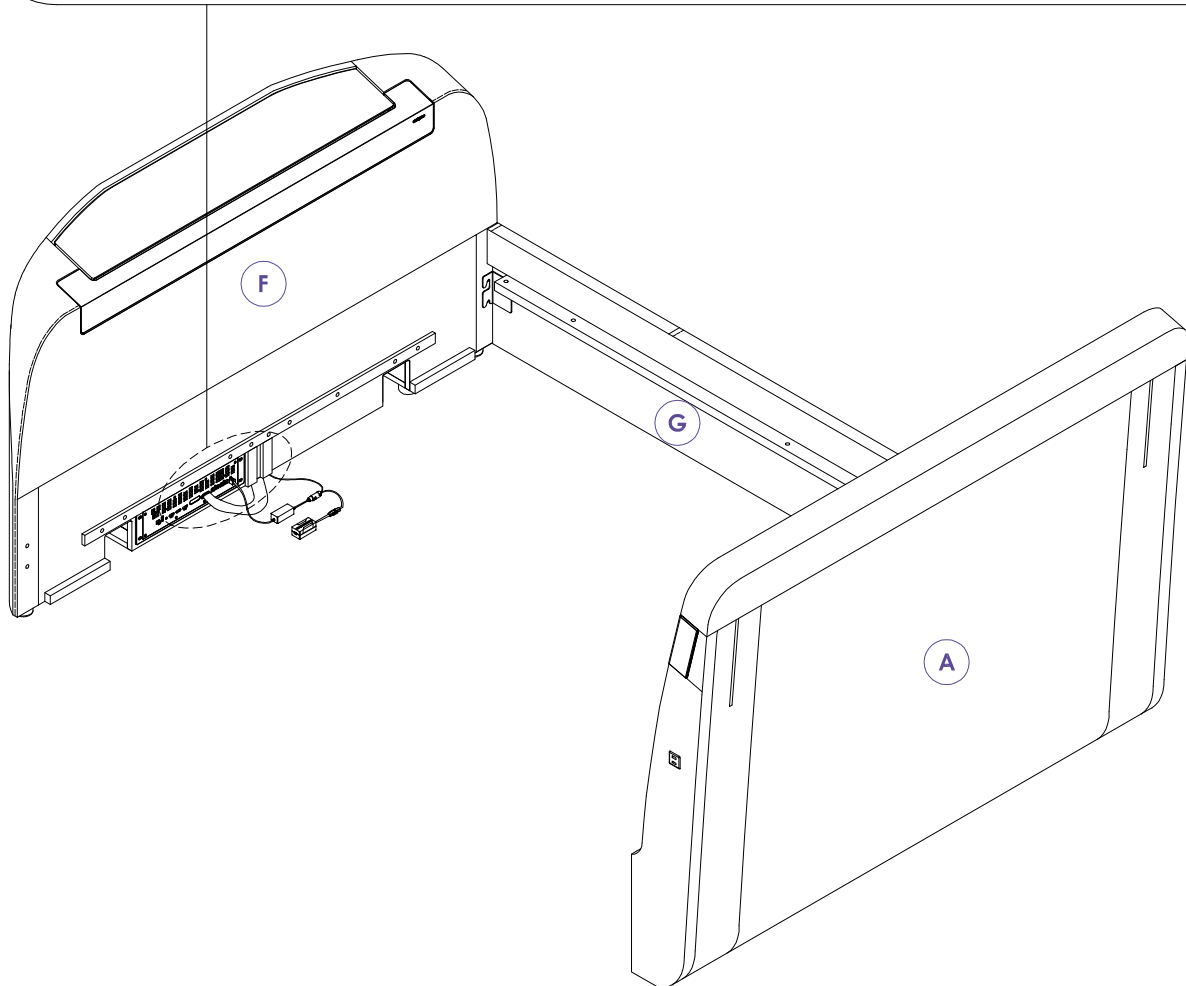
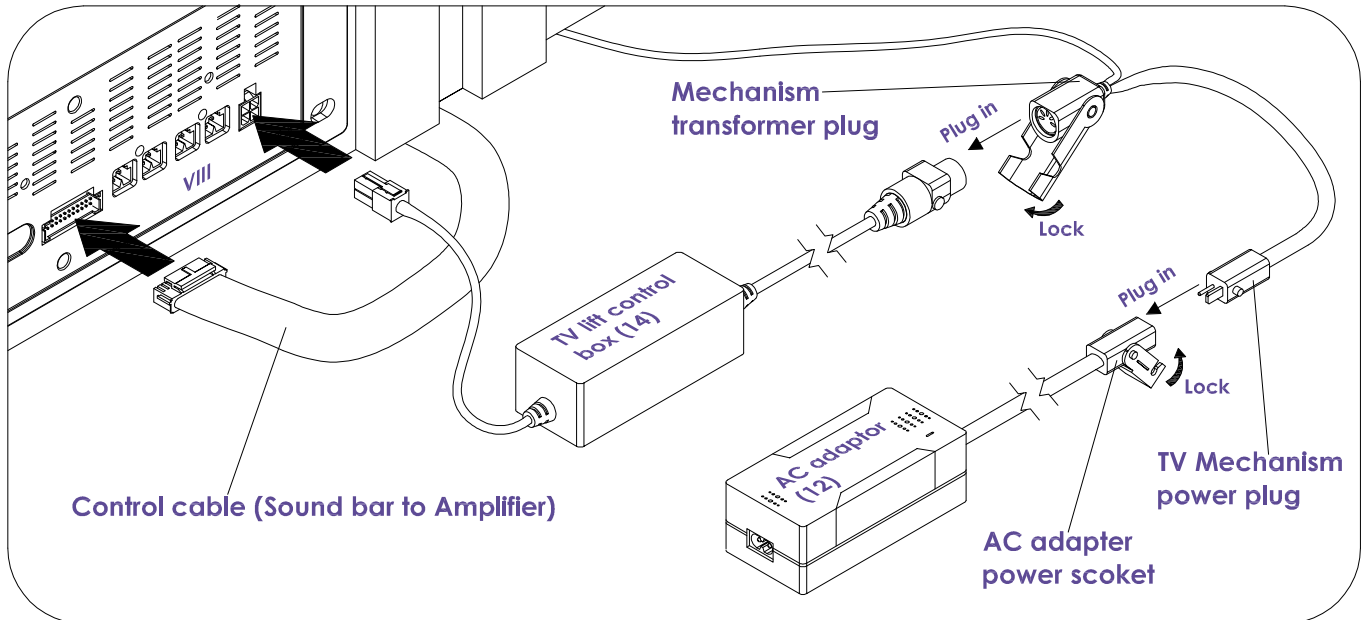
# 6

- Remove the bolt (W) on foot end as shown.
- Attach the amplifier (VIII) to the foot end.
- Then tighten the amplifier (VIII) with the bolt (W).
- For more detail information "Amplifier" please refer to [5.1.2 CH DOLBY ATMOS user manual \( pages 5\)](#).



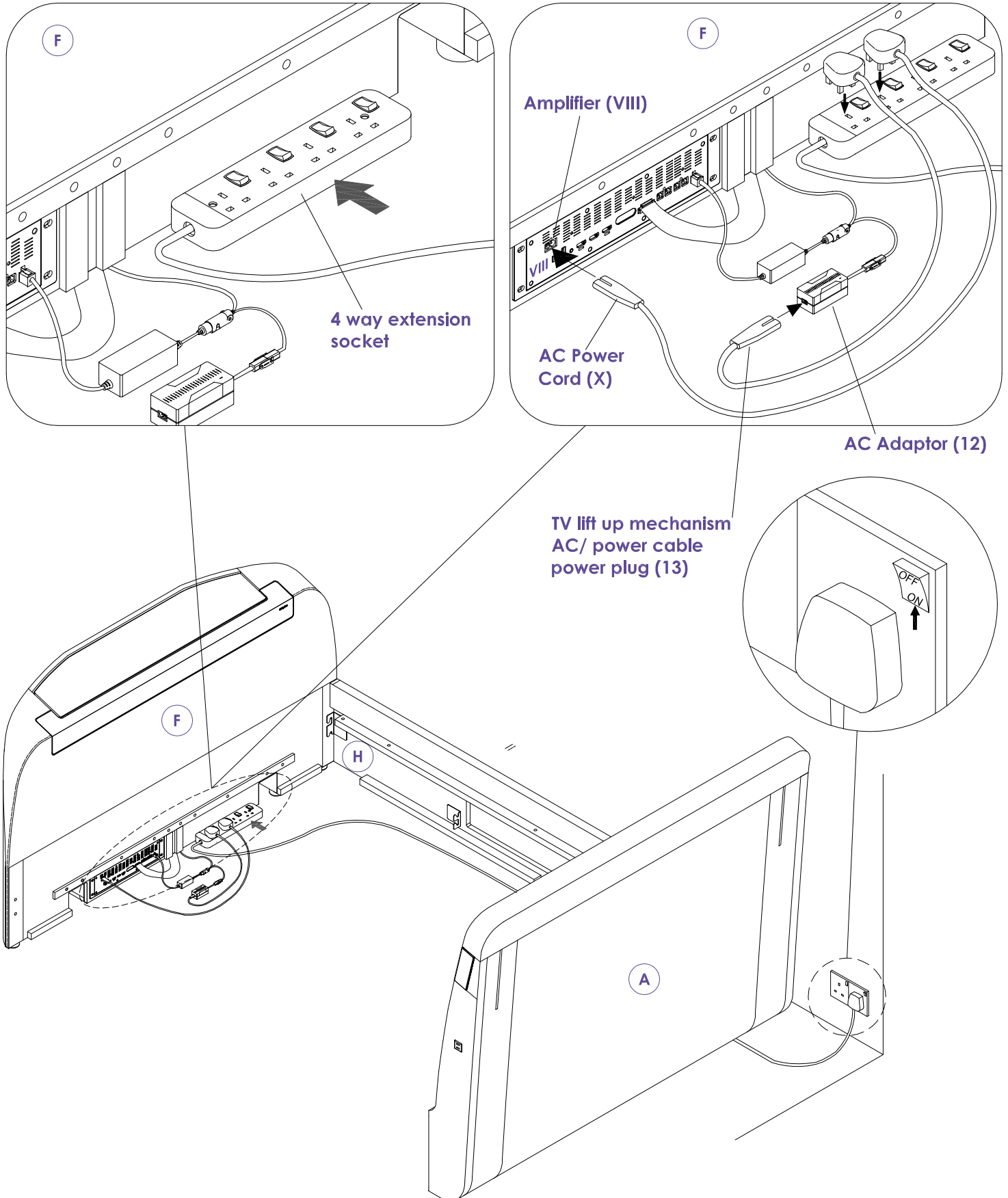
# 7

- Connecting the cable as shown. Failure to do so may result in damage to your product.
- Connect the control cable - Sound bar to the Amplifier (VIII) as shown.
- Connect the TV lift control box socket (14) to the Amplifier (VIII) and the Mechanism transformer plug.
- Connect the AC adaptor power socket (12) to TV mechanism power plug.



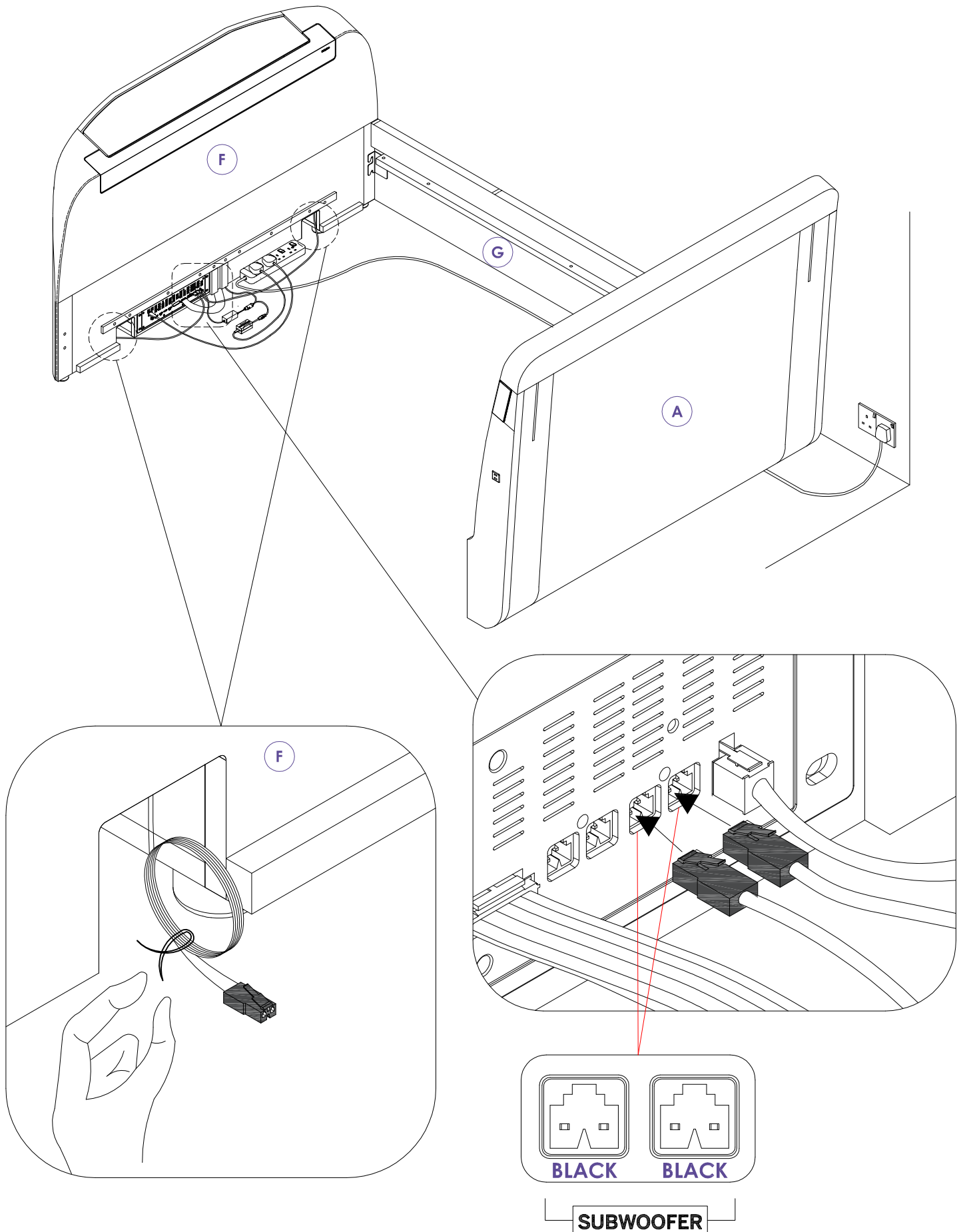
# 8

- Place the 4 way extension socket near to the footboard as shown.
- Connecting the AC power cord (X) to the Amplifier (VIII) and the extension power socket.
- Connecting the TV lift up mechanism AC/ power cable power plug (13) to AC adaptor (12) and the extension power socket.
- Connect the extension power socket cable to a working mains power supply.
- Switch on the mains power supply.



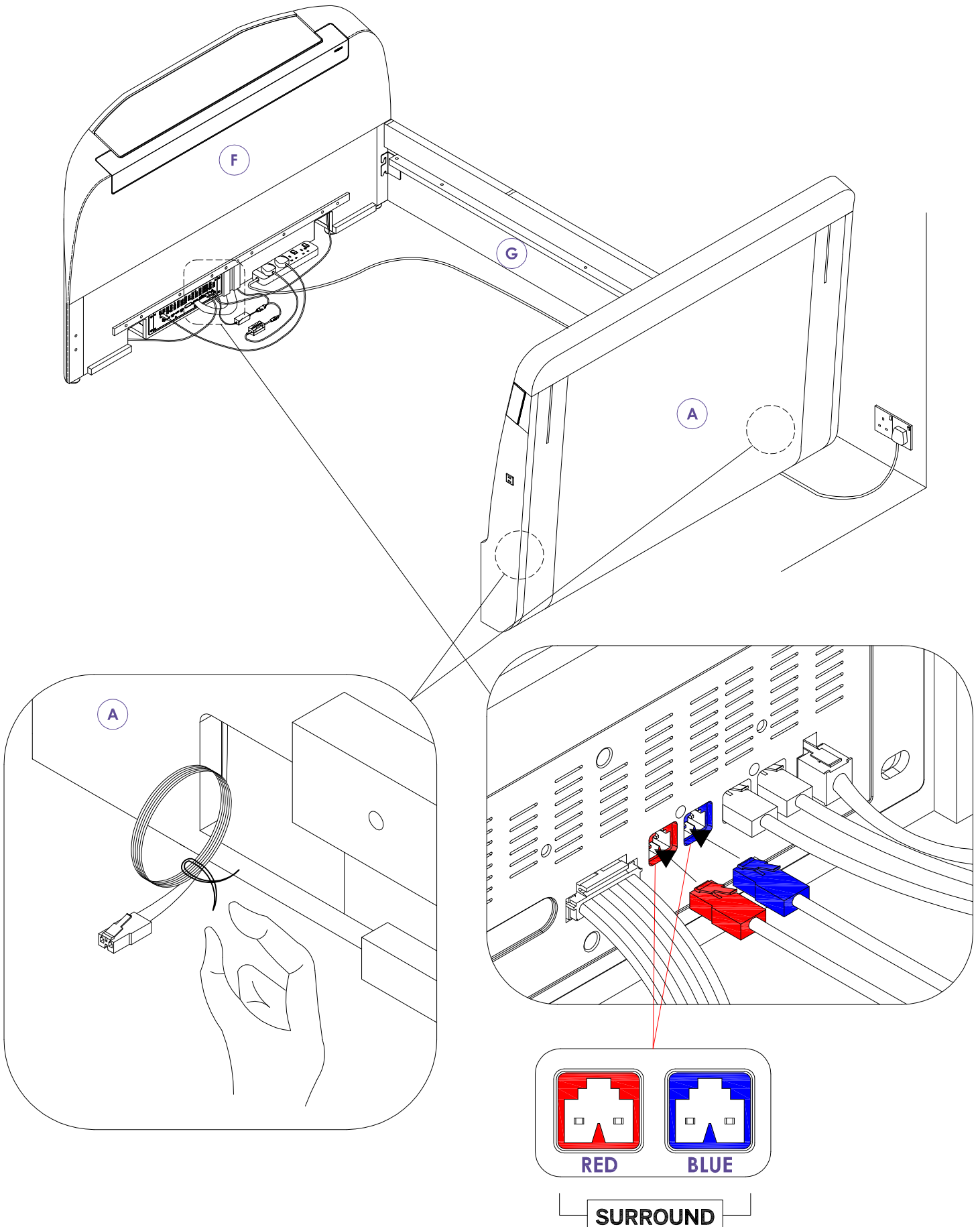
9

- Untie the subwoofer cable located in the foot end cable holes.
- Connect the subwoofer cable to the Amplifier (VIII) as shown.



10

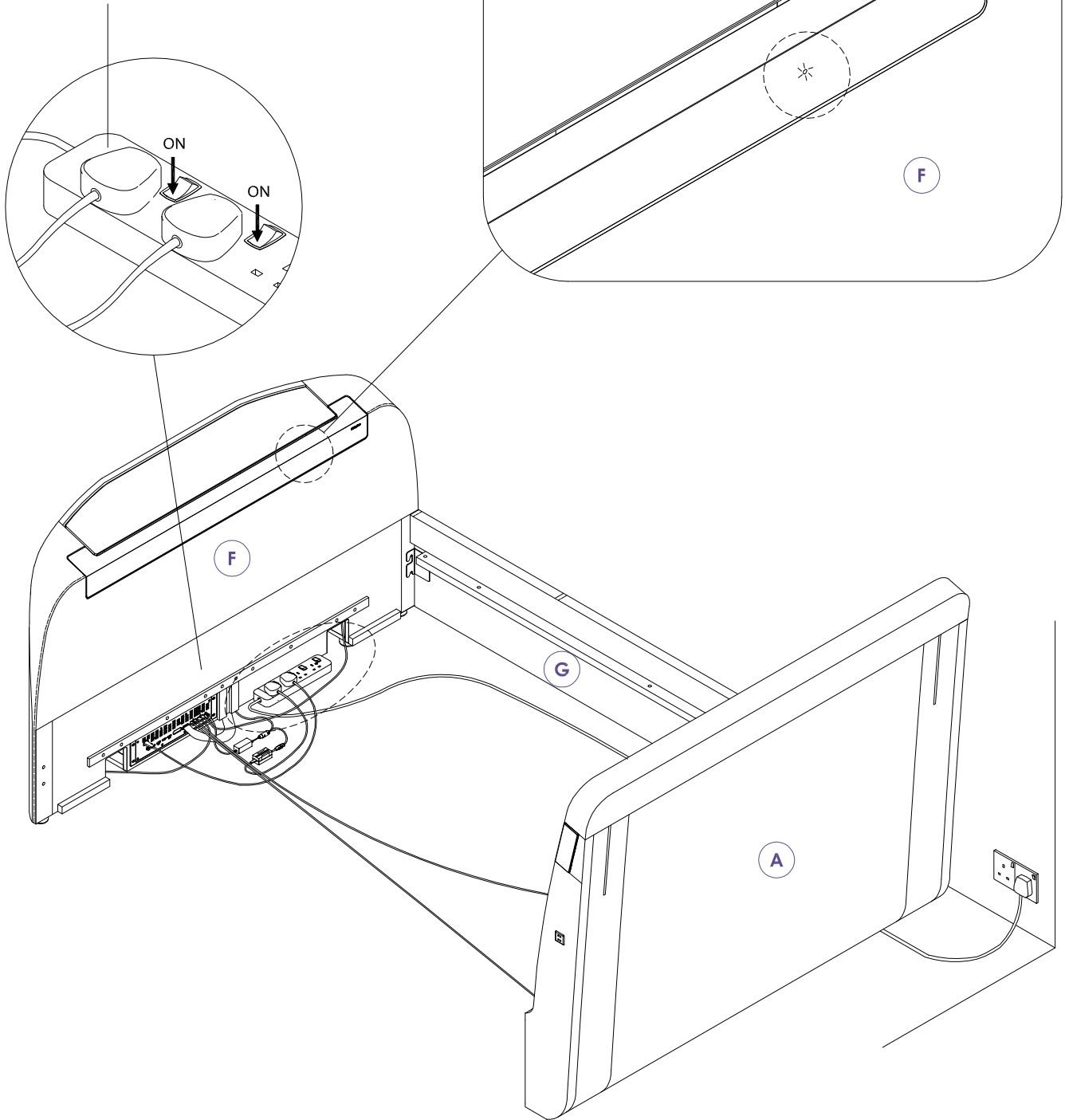
- Untie the surround speaker cable located in the head end cable holes.
- Connect the surround speaker cable to the Amplifier (VIII) follow the color mark as shown.



11

- Switch on the extension power socket, the indicator power on "dot light" will appear on the sound bar (as shown).

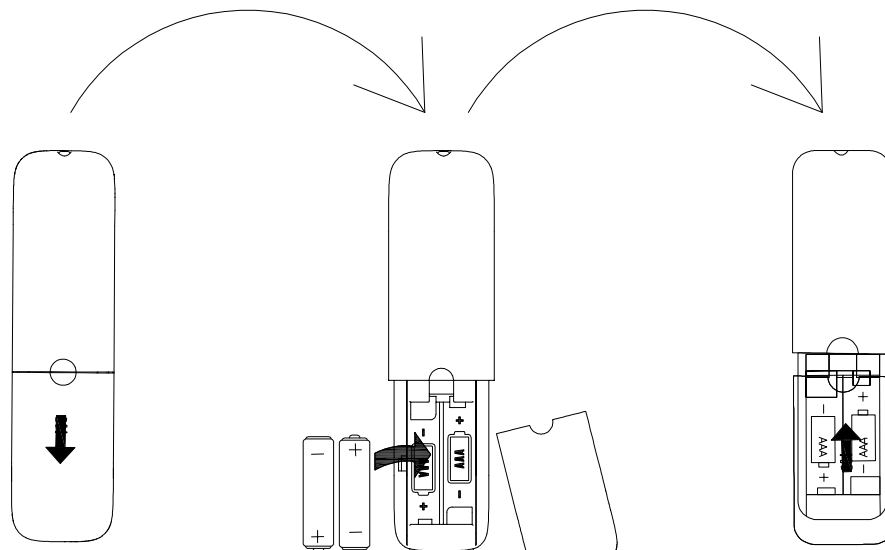
Extension power socket





## 12

- Unpack the remote control & battery from pack.
- Turn around the remote control, then press and slide the back cover to open the battery compartment of the remote control.
- Insert two AAA size batteries. Make sure the (+) and (-) terminals of the batteries match the (+) and (-) terminals indicated in the battery compartment.
- Slide up to close the battery compartment cover.

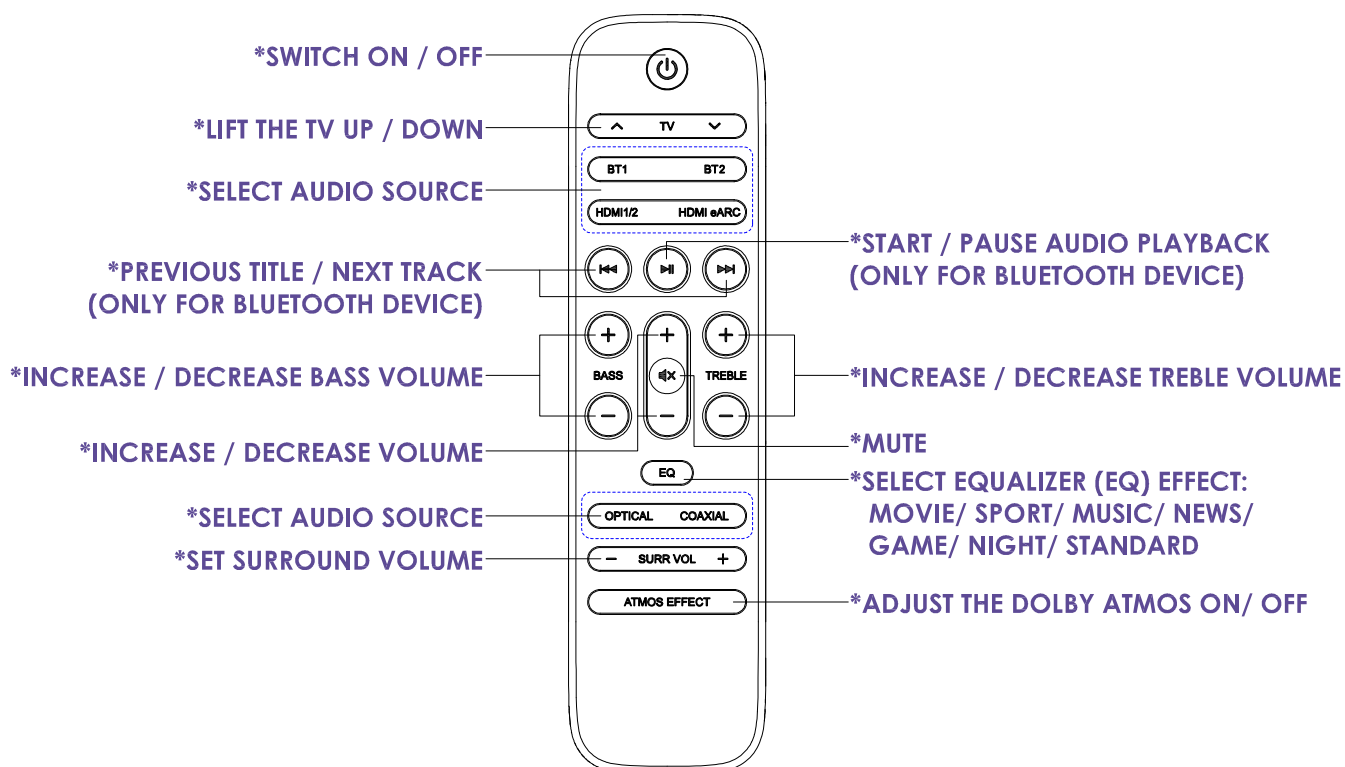


### Battery:

Size: AAA - Ø10.5 X T44.5mm  
Spec.: 1.5V

## 13

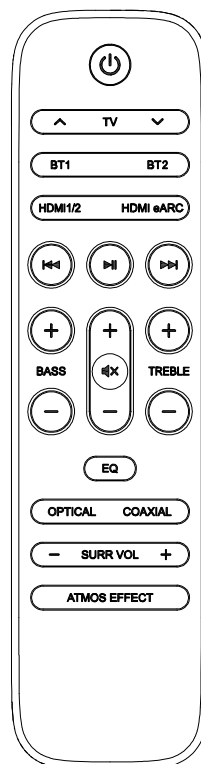
- Remote control.
- For more detail information "Remote Control" please refer to [5.1.2 CH DOLBY ATMOS user manual \( pages 6\)](#).



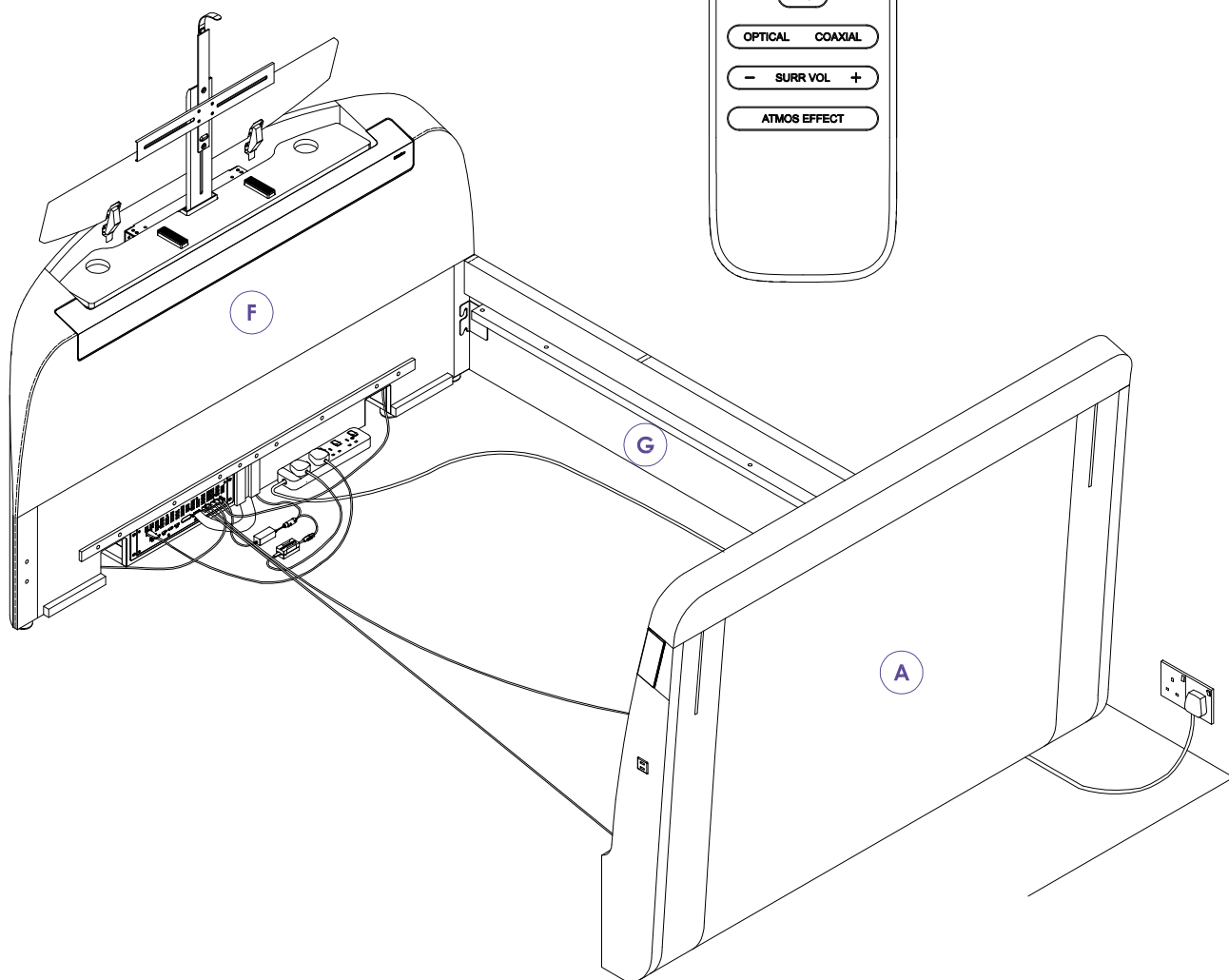
# 14

- Press the switch on / off to on the remote control.
- Press and release "UP" button on the remote control, which will then raise the TV lift mechanism .The footboard lid will open to its full extent. Press and release the "DOWN" button to lower the TV mechanism.
- **NOTE : WHEN OPERATING THE UP / DOWN FUNCTION OF THE TV LIFT MECHANISM ALWAYS ENSURE HANDS ARE AWAY FROM THE INNER EDGE OF THE FOOTBOARD.**
- If the "Remote control" does not operate the TV mechanism, please refer to [5.1.2 CH DOLBY ATMOS user manual \( pages 13\) \(TROUBLE SHOOTING\).](#)

## Remote Control



Always use the remote control to switch off the audio system before you "turn off the main power supply".

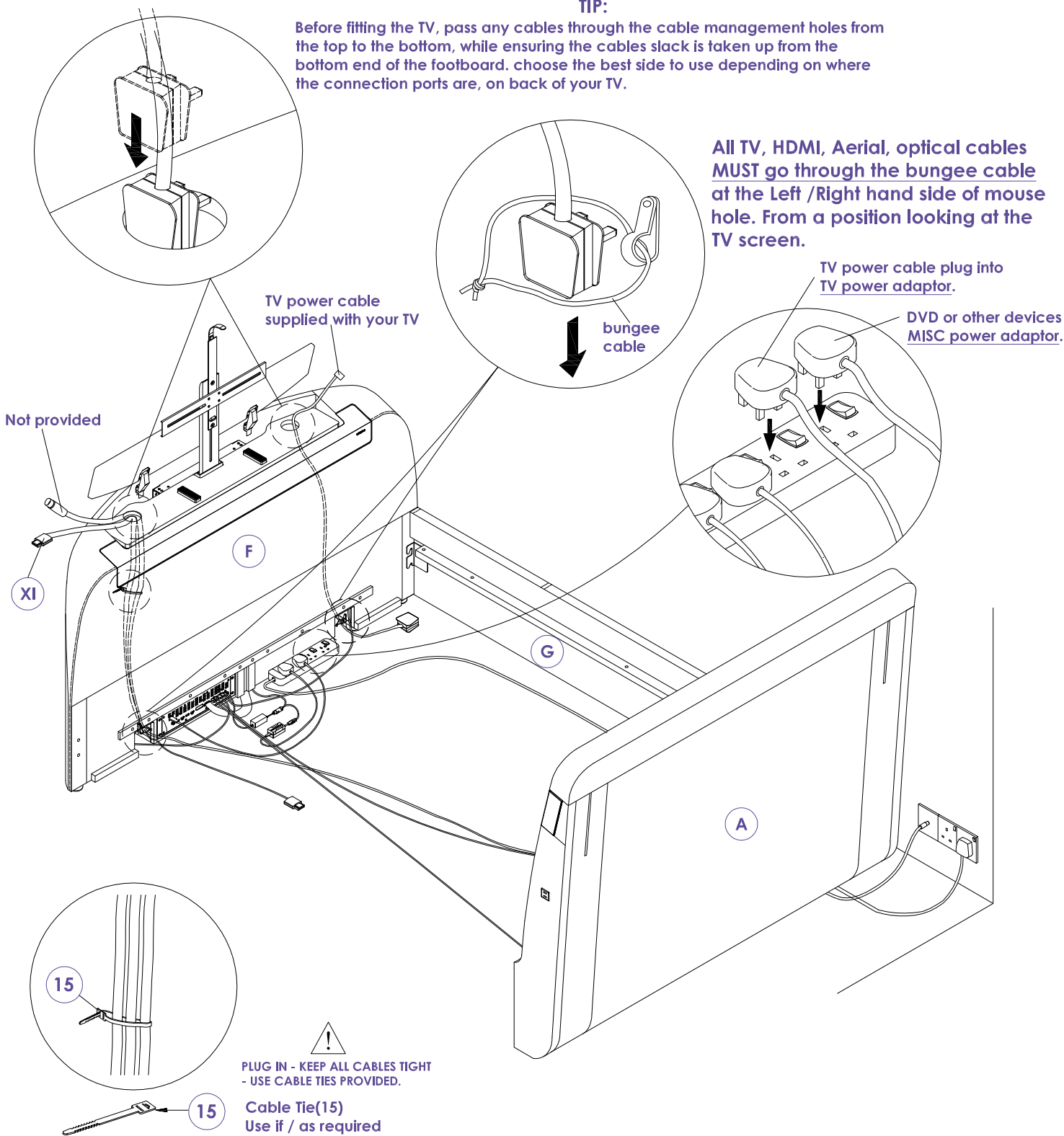


# 15

- Cable connection plan. Make sure you have all the relevant cable connections required (HDMI cable, TV Aerial cable, TV power cable, Optical cable etc...) before you install the TV.
- The cable management holes are to help you to manage the cable and keep them tidy and free from snags. Pass all cables cleanly through these holes. While ensuring any cable slack is taken up from the bottom end of the footboard.

**TIP:**

Before fitting the TV, pass any cables through the cable management holes from the top to the bottom, while ensuring the cables slack is taken up from the bottom end of the footboard. choose the best side to use depending on where the connection ports are, on back of your TV.



All TV, HDMI, Aerial, optical cables **MUST** go through the bungee cable at the Left /Right hand side of mouse hole. From a position looking at the TV screen.

TV power cable plug into TV power adaptor.

DVD or other devices MISC power adaptor.

**PLUG IN - KEEP ALL CABLES TIGHT - USE CABLE TIES PROVIDED.**

**15 Cable Tie(15)**  
Use if / as required

Place all cables through the 'Cable Management' holes to prevent any damage to the cable when the TV Lift Mechanism is operating. Make sure all your the cables are long enough to let the TV Lift Mechanism move freely.

All the cables **MUST** be carefully pulled through the footboard and fully extended.

Group the cables together as required below the TV Tray using cable tie(15) provided.

Note: Do not pass any cables across the back of the mechanism.

# 16

- Adjust the TV tray to suit the height of your TV (without stand). Please follow below steps.

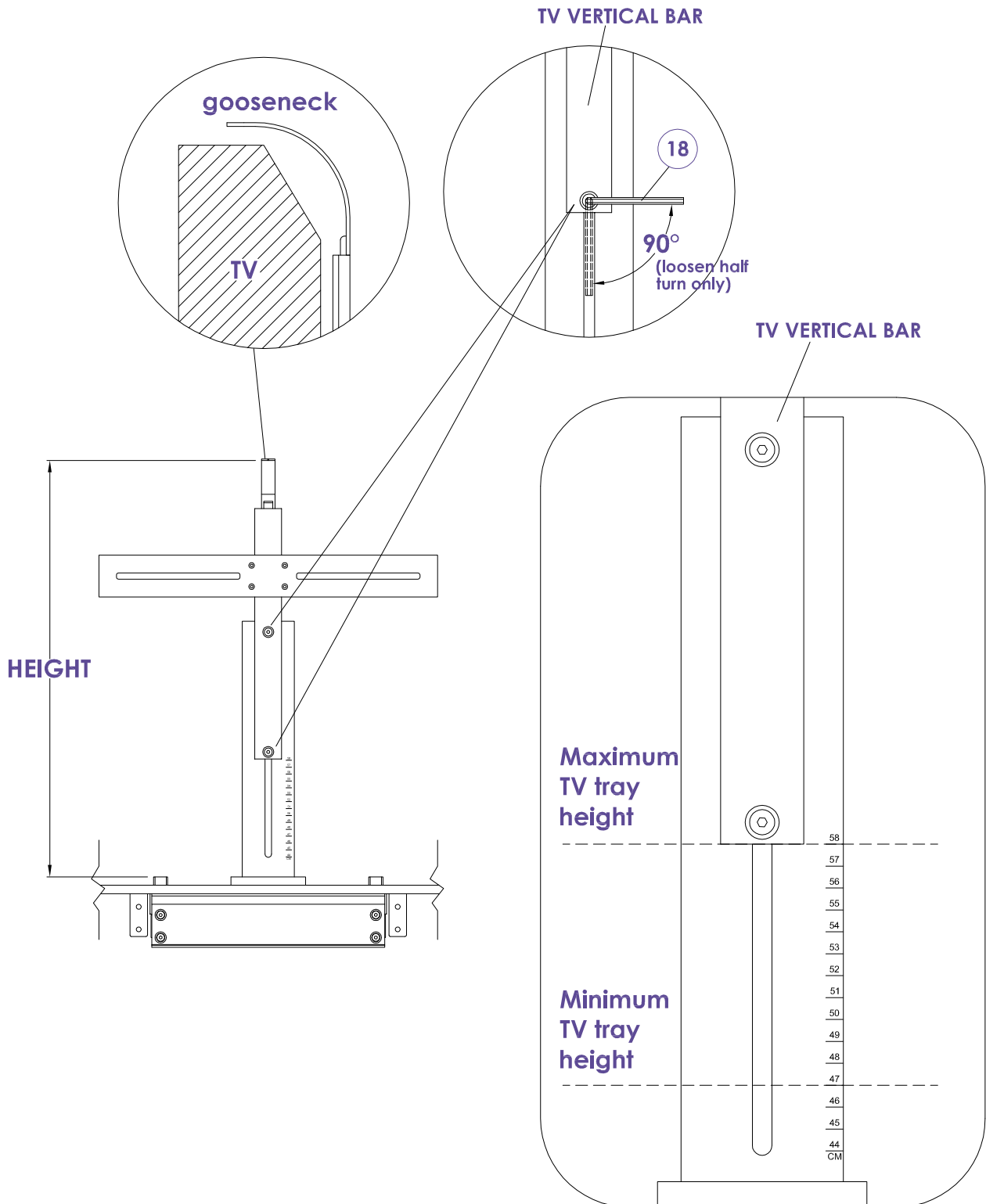
17.1 : Make a note of the height (without stand!) of your television.

17.2 : Use the Allen key (18) to 'slightly' loosen the bolts-'half turn only', do not fully unscrew.  
(Please refer diagram below)

17.3 : Slide "UP/ Down the TV vertical bar to using the measure line to match the noted height of your TV.  
Then fully tighten the bolts.

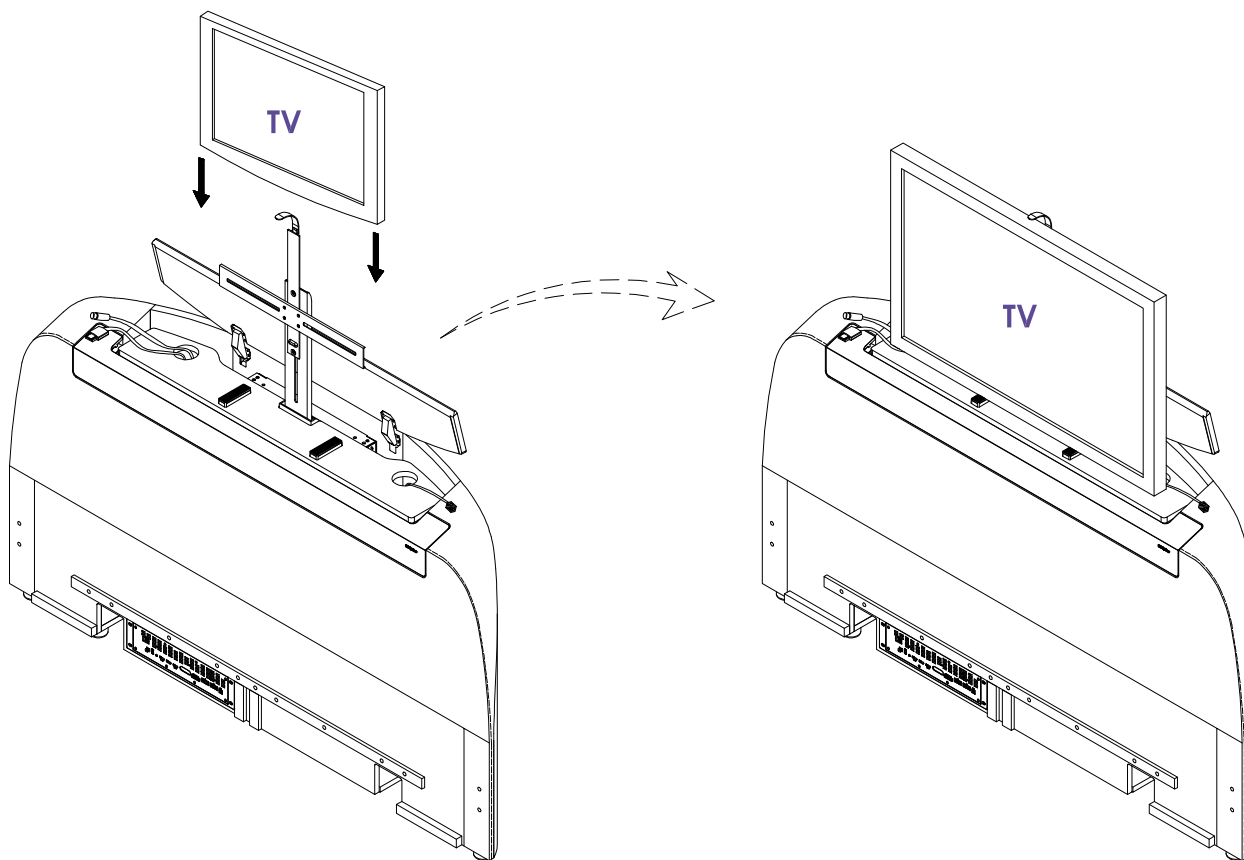
17.4 : When the TV is mounted it should sit neatly just underneath the Gooseneck.

**Note:** The minimum height of the TV Tray is 470mm. If the TV height measures less than 470 mm (without stand) the TV will not fit to the mechanism.



17

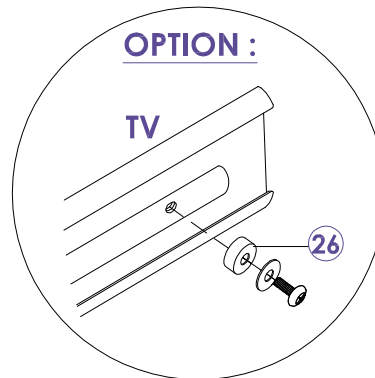
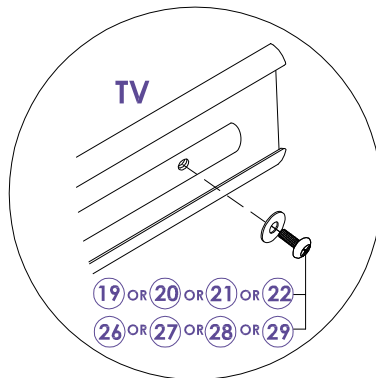
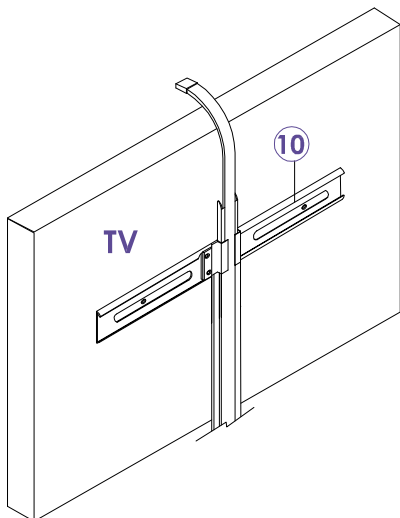
- You are now ready to install your TV.
- Raise the mechanism to it's highest position.
- While standing behind your television (on the outside end of the footboard).
- Carefully place the TV on top of the two rubber TV mounting pedestals - ensuring the Gooseneck arm is perfectly inline with the horizontal 'centre' of the TV.



18

• TV Flat Bracket (vesa bracket).

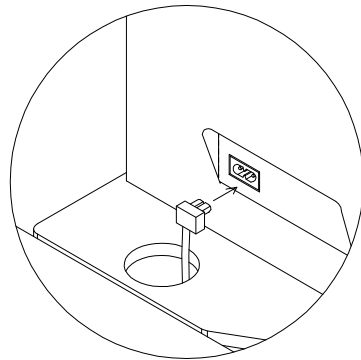
Please note : Item (19-22) & (27-30) screws have been supplied to fit most TV models. However sizes may differ depending on the TV model. If smaller or larger size screws are required these should be sourced from your local hardware store or TV specialist. Washers may also be required. Your retailer may also supply alternative fixings depending on the TV model supplied at the time.



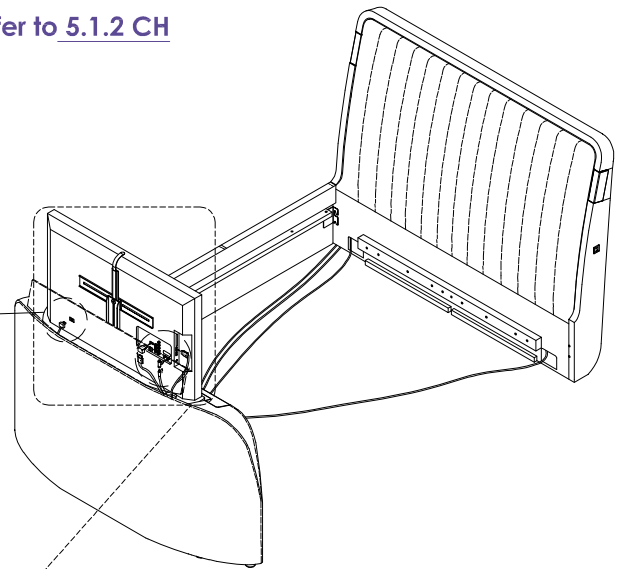
BOLT	18	19	20	21
BOLT	27	28	29	30
WITH	↓	↓	↓	↓
WASHER	23	24	25	26

In the event you find the screws are too long for the TV with bracket please use Plastic collar (26) if required.

- Install all the cable connection to the TV.
- For more detail information "Connection" please refer to [5.1.2 CH DOLBY ATMOS user manual \( pages 8~9\)](#).



Note: For illustration purposes only, TV connections may vary.



**Attention Please Note : Connecting Your HDMI ARC or Aerial Cable as shown in diagram (X) can seriously Damage Your TV sockets.**

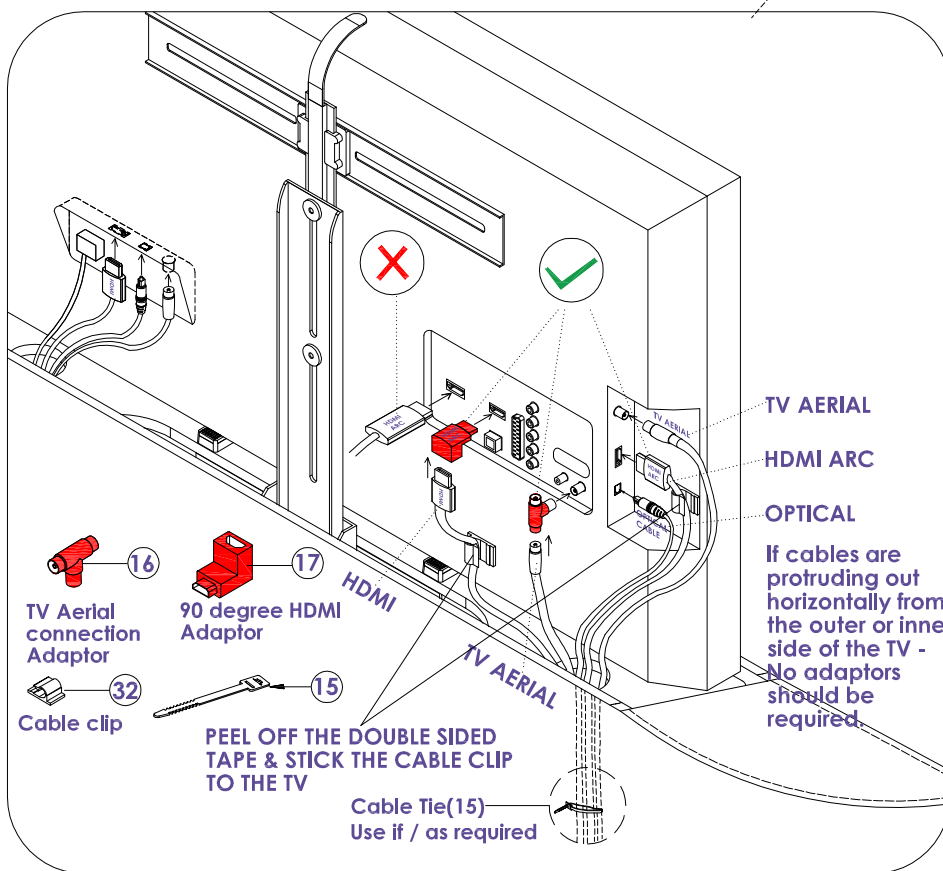
To reduce this possibility we have supplied 90 degree adaptors for both HDMI and Aerial connections.



This will reduce the cable protrusion and lessen the possibility of the cable colliding with the bed frame.

**These can be found in the bed frame hardware pack located in Box 2 (foot end).** Please refer to the diagram above for the correct fitting of cables. More detailed information can also be found on page 19 (step 15) of your assembly instructions.

The manufacturer or retailer will not accept responsibility for any damages arising from incorrect installation.



**NOTE**

The TV HDMI CEC function enables the user to switch the sound bar and any connected HDMI devices to standby mode, with press of TV remote power button. The sound bar will then turn on automatically for ease of TV lift operation.

**CAUTION**

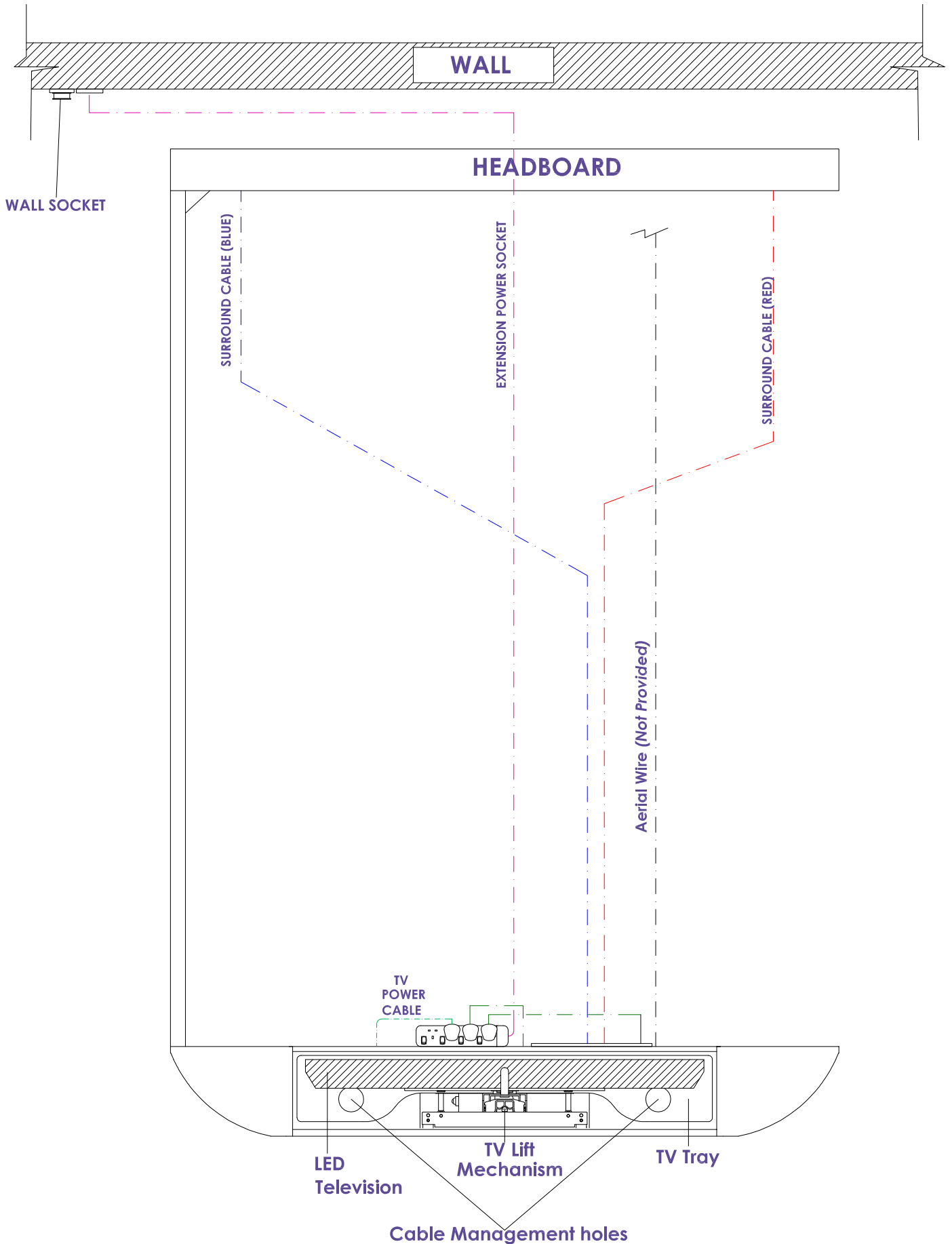
If you are using a USB storage device in the TV USB port. It may cause unexplained issues with the TV bed media system . Please unplug the USB storage device when not in use.

**PLEASE NOTE.**

If you are using TV's which are not listed as compatible in your user instructions, Unusual scenario's may arise with the CEC connection system on your tv.

NOTE: The cables port for television, DVD, TV aerial etc may not be the same as shown above and vary depending on TV model.

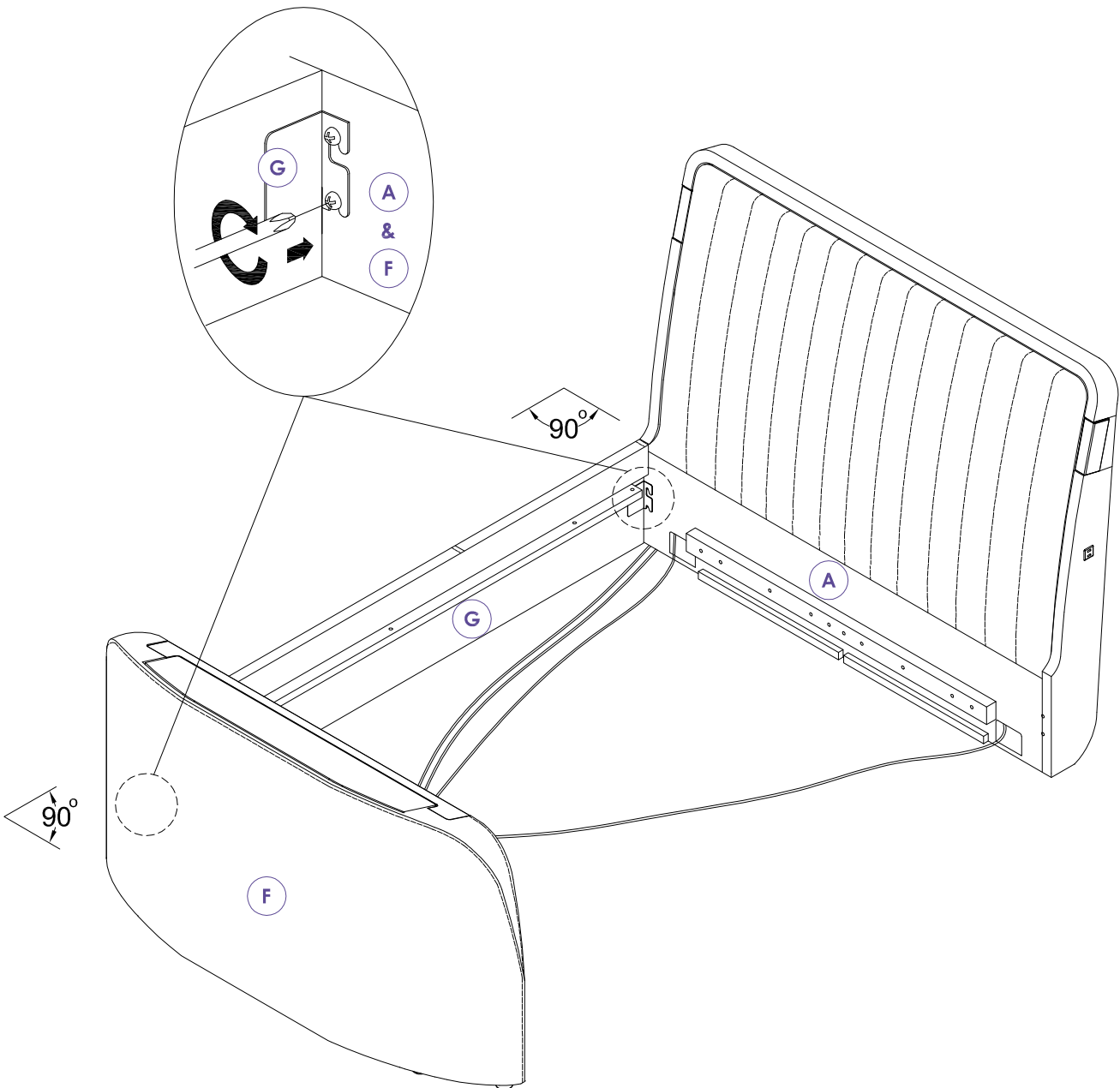
• Detail Wiring Connection Plan.



\* The TV cable main supply can be put on either the left or right side depending on the TV port location. DO NOT PASS ANY CABLES ACROSS THE BACK OF THE MECHANISM.

21

- Tighten the bolts as show in headboard, footboard and side rail as shown.
- Make sure the four bed frame interior angles are at 90°



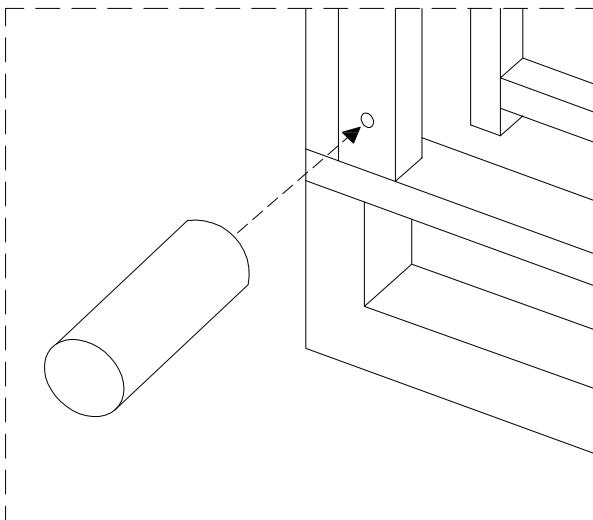
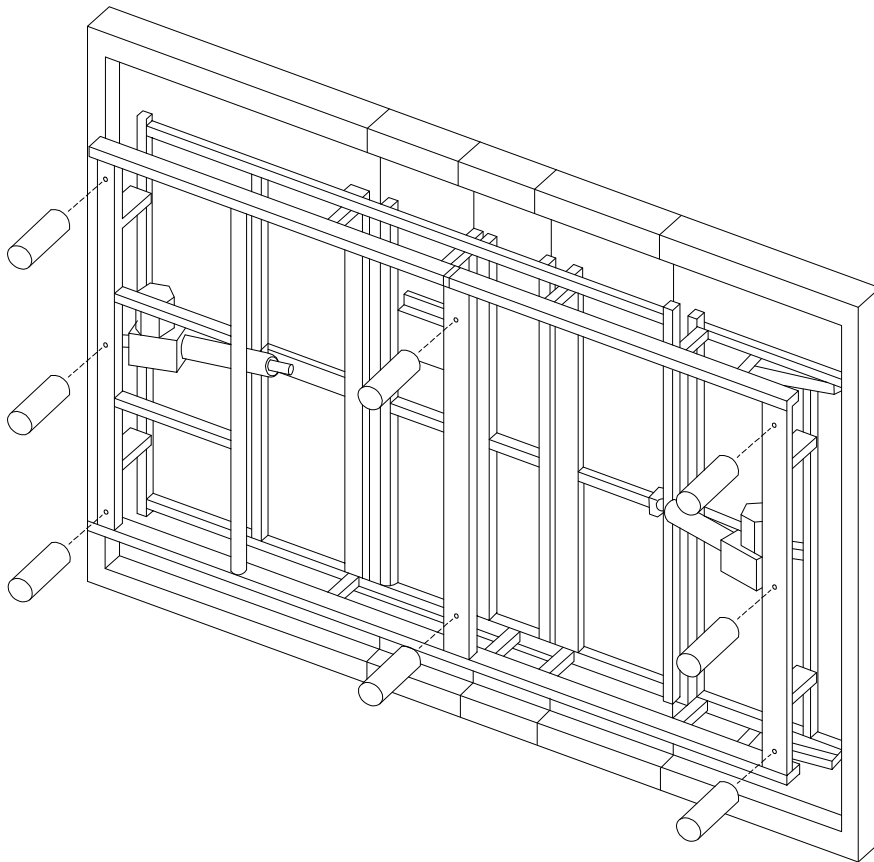


# Sleepmotion Assembly

Please ensure you have built your sleepmotion base first (please refer to instruction in your sleepmotion box to build the base). Please construct your sleepmotion with the 22cm leg and then follow the below instructions to build the bed frame.

22

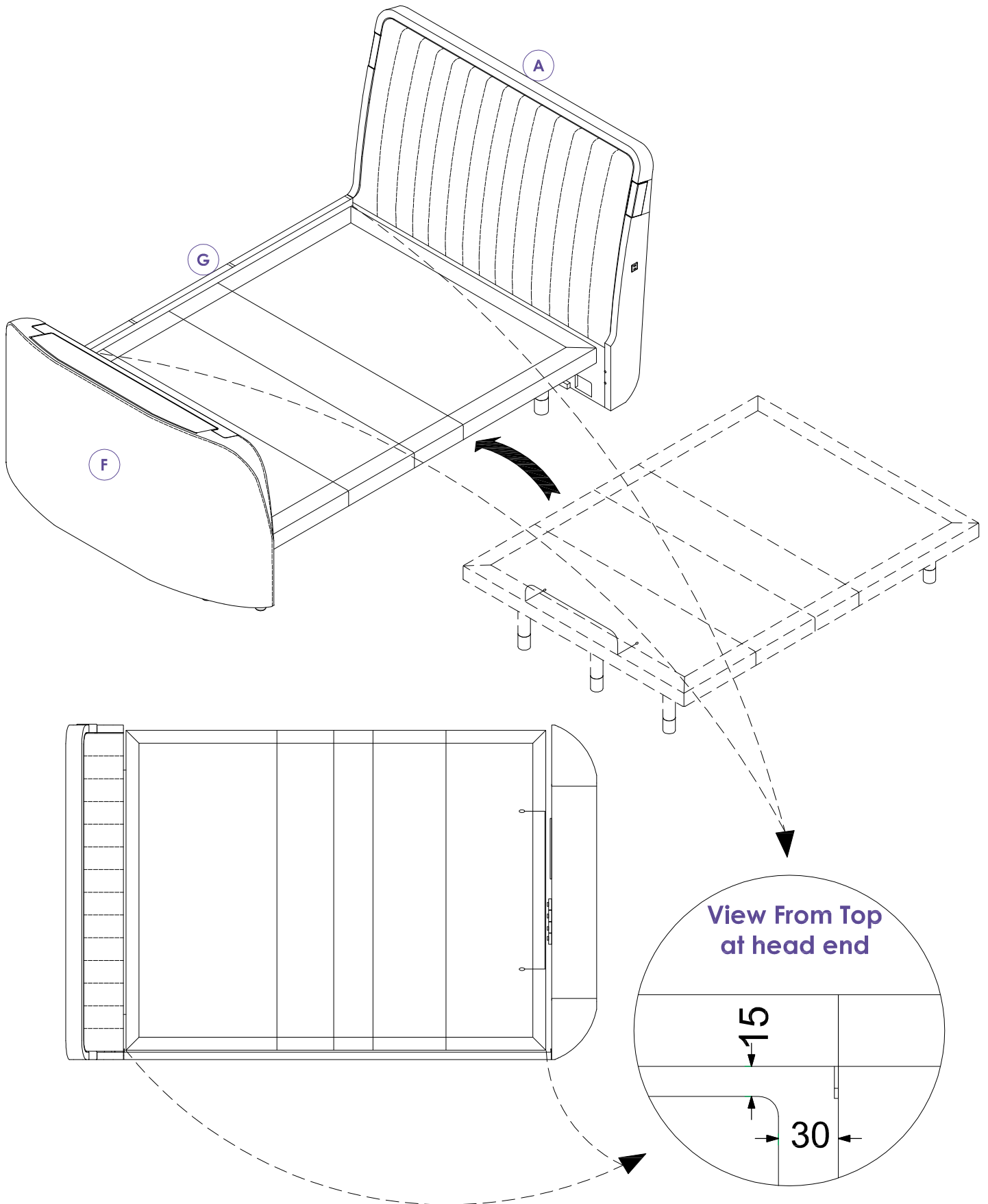
Screw in the legs and put Bed Base in the position in which it will be used.



# Sleepmotion Assembly

23

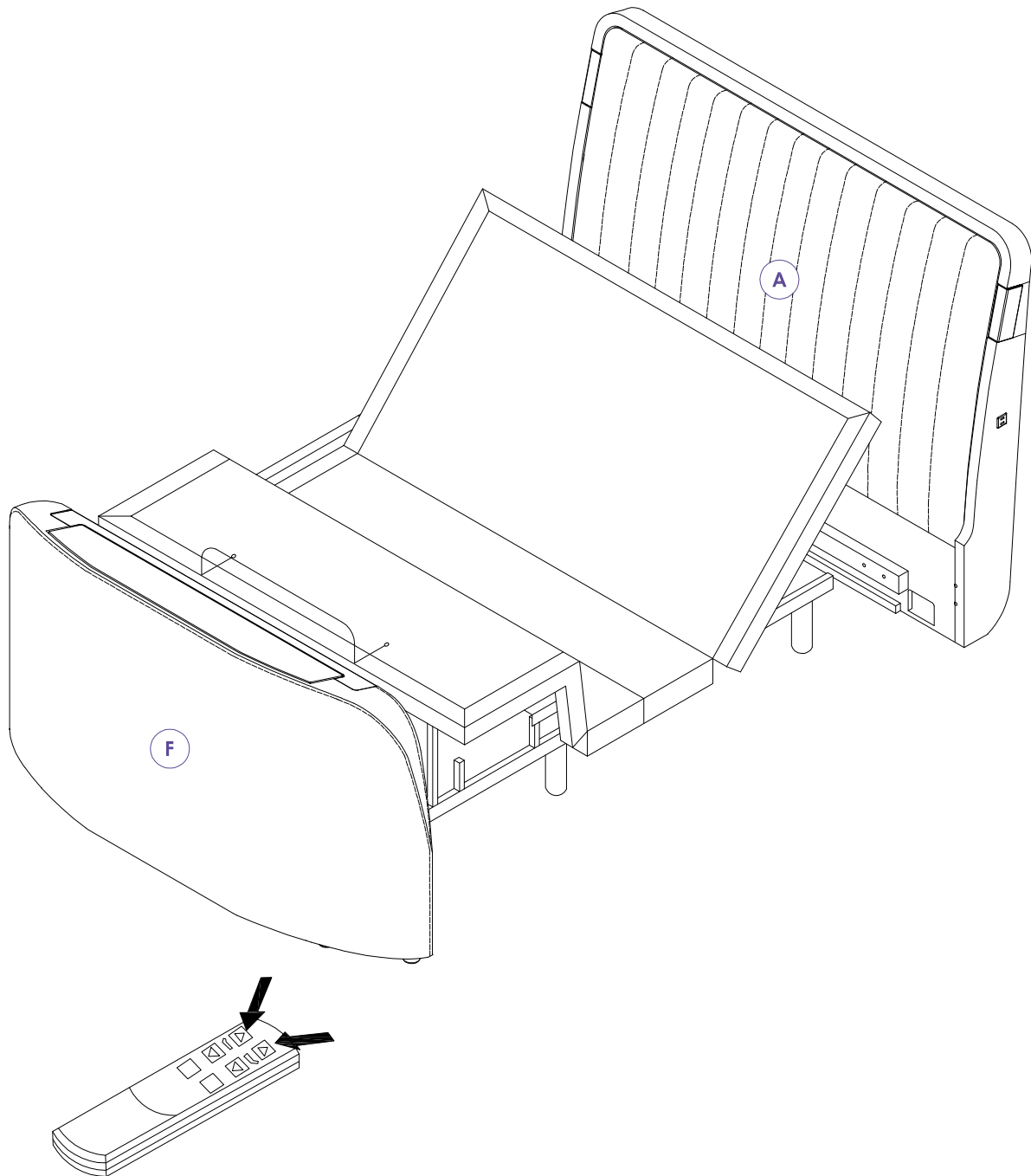
- Attach the motion base to the bed as shown.



# Sleepmotion Assembly

24

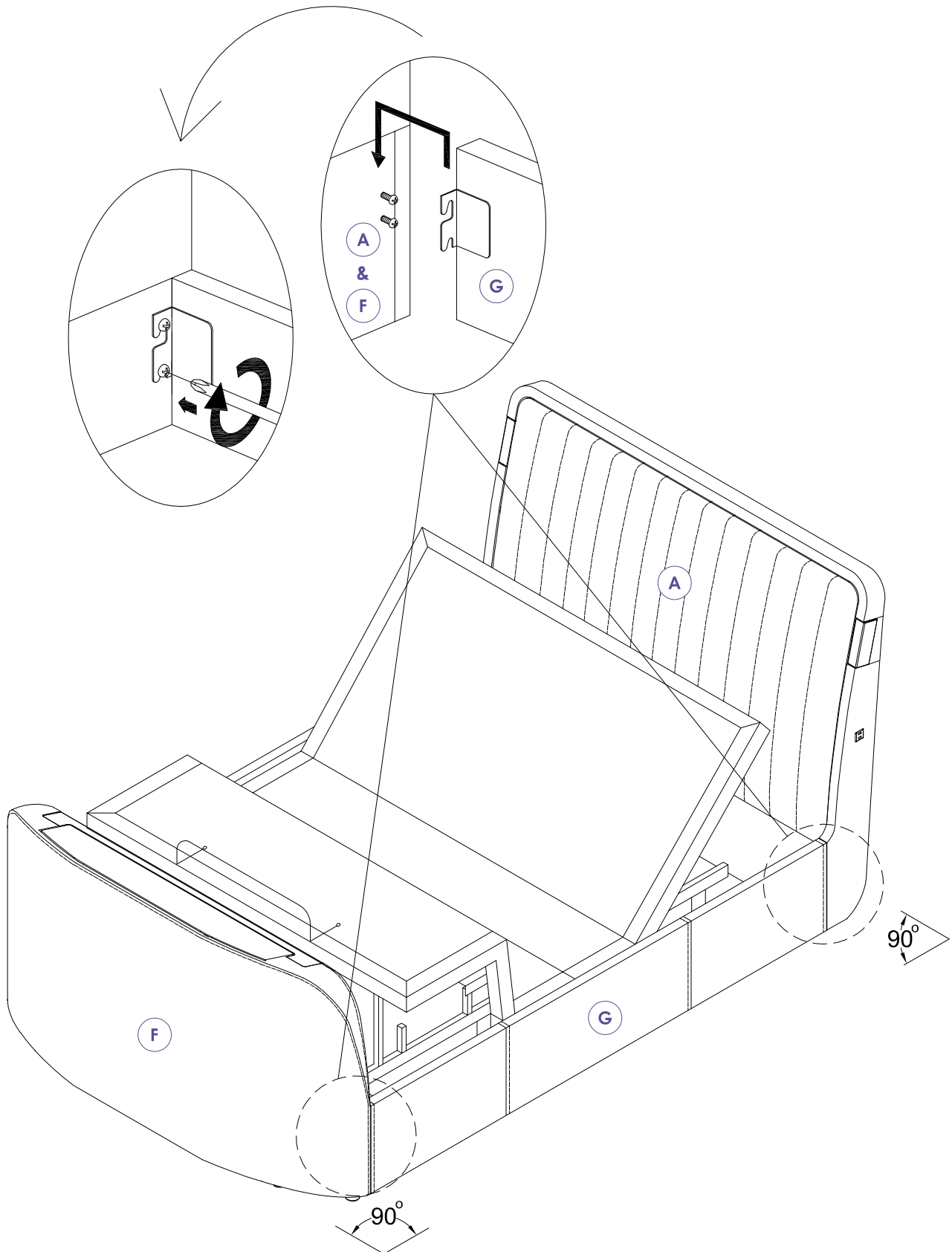
- Raise the head and foot ends of the bed base.



# Sleepmotion Assembly

25

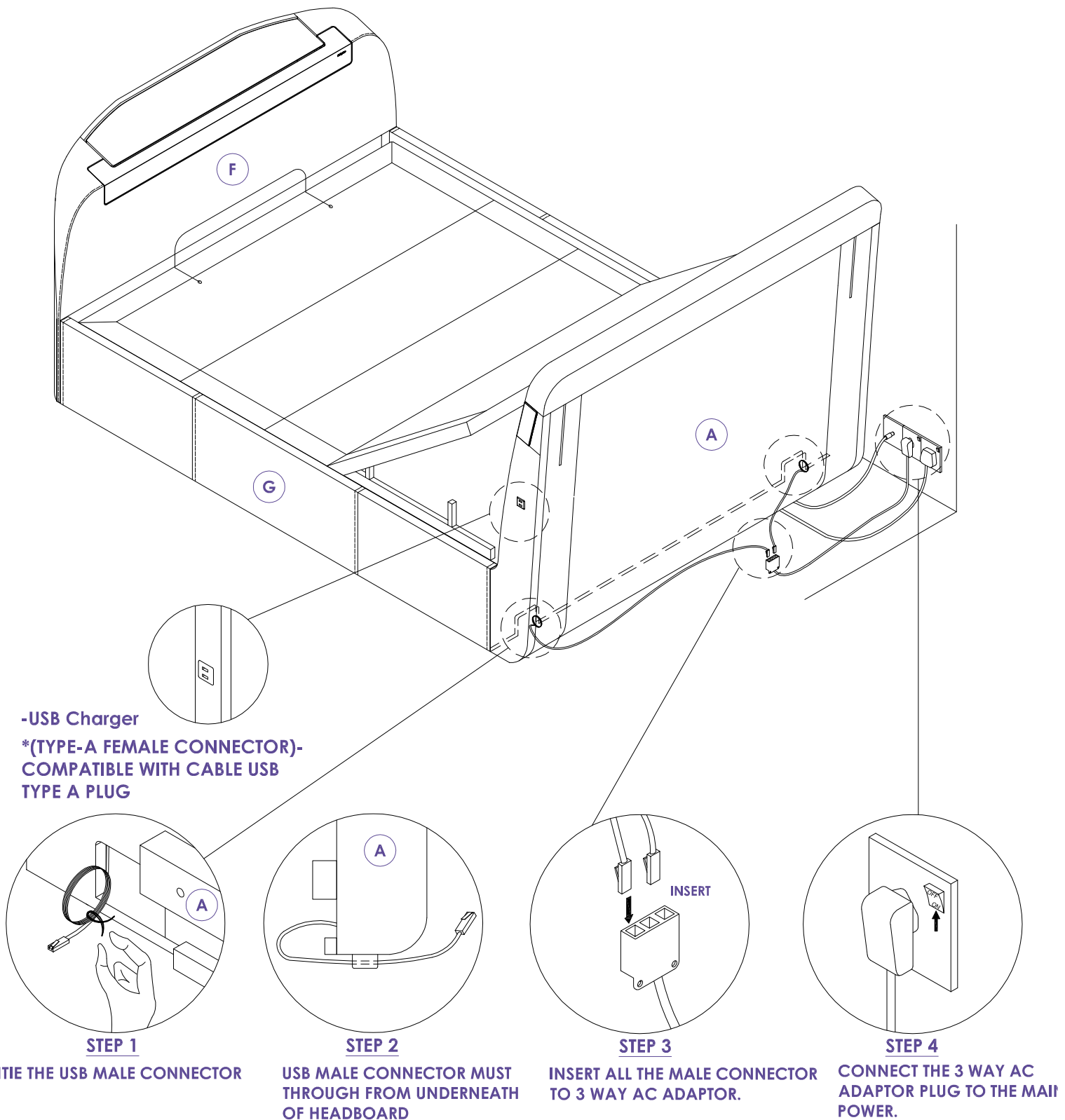
- Hook the side rail over the bolts as shown.
- Make sure the bed frame interior angles are at 90°
- Tighten the bolts in head end & foot end as shown.



# Power Adaptor Assembly

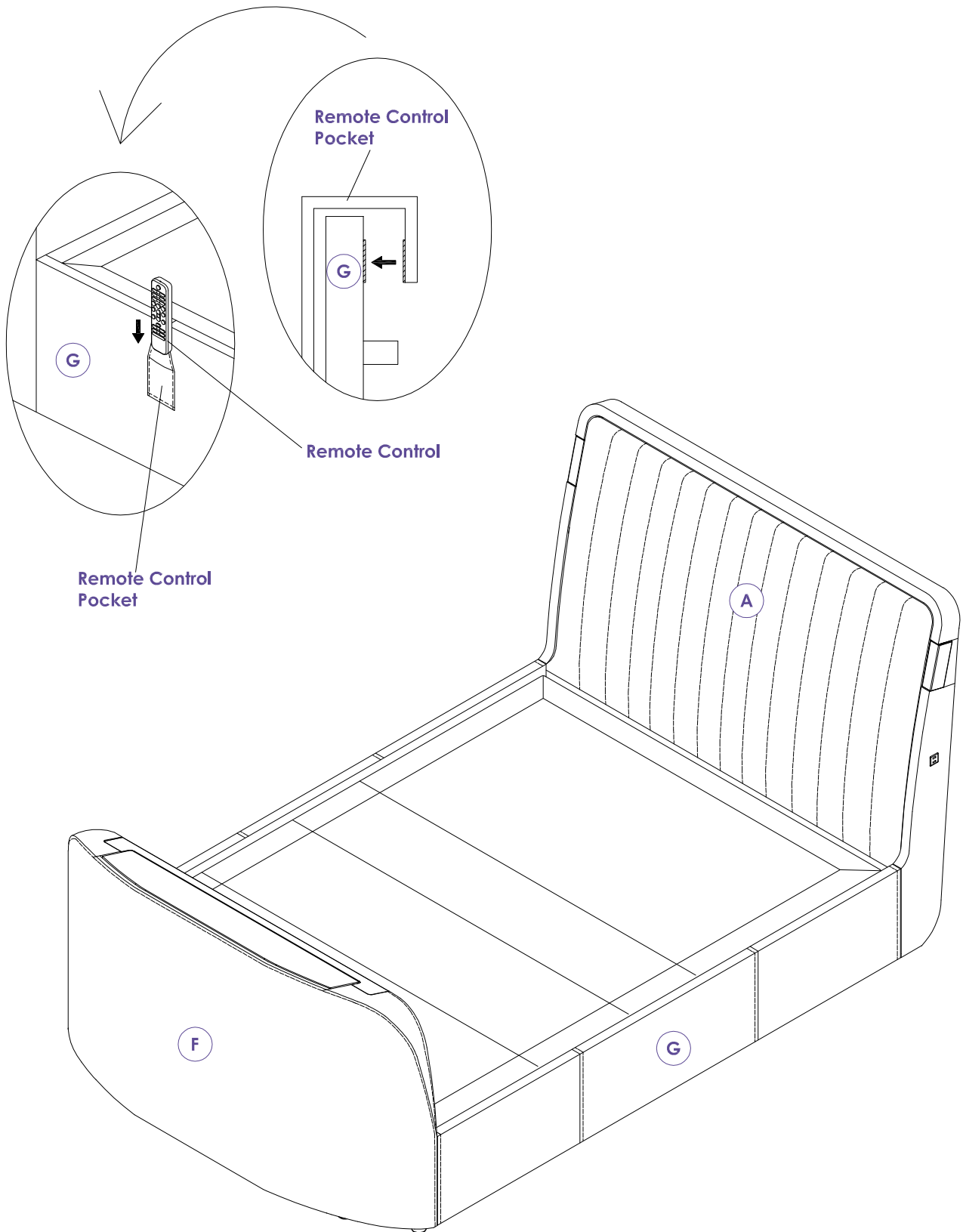
26

- Untie the USB male connector located in the head end cable holes.
- Insert all the connector to the 3 way AC adaptor (AC) as shown.

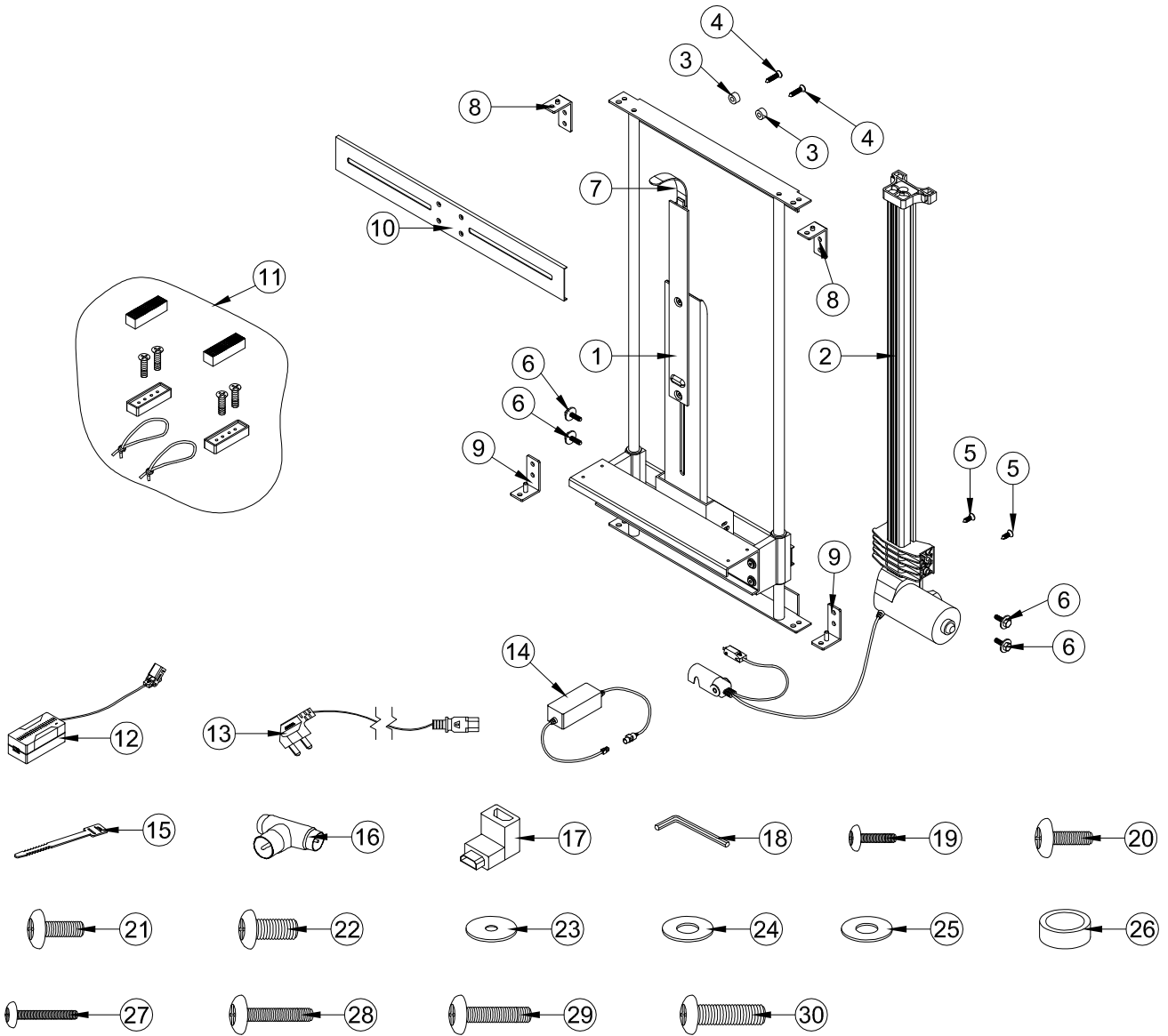


27

- Attach remote control pocket to side rail.

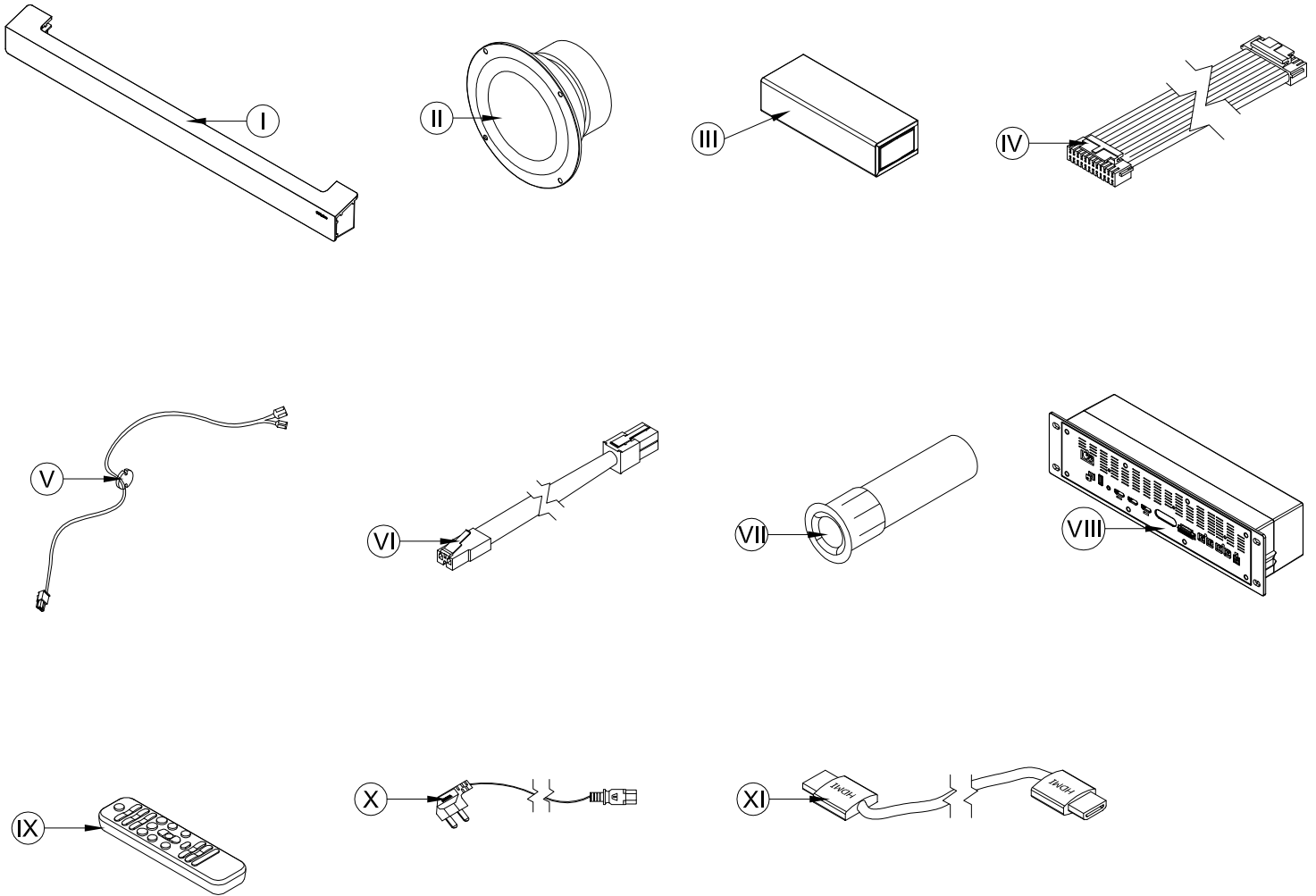


# G4 TV LIFT MECHANISM- OPTI-SERVE SPARE PARTS LIST



ITEM NO.	PART DESCRIPTION	IV CODES
1	Main TV-lift up mechanism (pre-assemble)	IV 001282
2	TV-linear actuator G4 (pre-fixed)	
3	Actuator mounting top spacer (2pcs) (pre-fixed)	
4	Cross recessed countersunk flat head wood screw- Top mounting M6 x 30mm (2pcs) (pre-fixed)	
5	Cross recessed countersunk flat head wood screw- Top mounting M6 x 20mm (2pcs) (pre-fixed)	
6	Actuator mounting bolt- screw M6 x 20mm (4pcs) (pre-fixed)	
7	Gooseneck (pre-fixed)	IV 001289
8	Top hanging bracket (2pcs) (pre-fixed)	IV 001636
9	Bottom hanging bracket (2pcs) (pre-fixed)	IV 001290
10	TV- flat bracket (Vesa Bracket) (pre-fixed)	IV 001635
11	TV block (2pcs), screw M4 x 35mm (4pcs), block rubber cover (2pcs), cable management bungee cable (2pcs) (pre-fixed)	IV 001291
12	AC-DC Adaptor 29-2A (1pc)	IV 001295
13	TV-lift up mechanism AC/ power-cable power plug UK (1pc)	IV 000061
14	Control Box KDDY 083A-1K1-KD (1pc)	IV 001634
15	Cable clip (2pcs)-use to fix wire	
16	Aerial connection (1pc)	
17	90 degree HDMI adaptor (1pc)	
18	Allen key (M4) (1pc)	
19	Pan head screw M4 x 20mm (2pcs)	
20	Pan head screw M5 x 20mm (2pcs)	
21	Pan head screw M6 x 20mm (2pcs)	
22	Pan head screw M8 x 20mm (2pcs)	
23	M5 washer (2pcs)	
24	M6 washer (2pcs)	
25	M8 washer (2pcs)	
26	Plastic collar (6pcs)	
27	Pan head screw M4 x 40mm (2pcs)	
28	Pan head screw M5 x 40mm (2pcs)	
29	Pan head screw M6 x 40mm (2pcs)	
30	Pan head screw M8 x 40mm (2pcs)	

## 5.1.2 AUDIO- OPTI-SERVE SPARE PARTS LIST



ITEM NO.	PART DESCRIPTION	IV CODES
I	U Sound Bar Dobby ATMOS Audio & Metal Bracket(3pcs) (pre-fixed)	IV 000047
II	Woofer 4 Inch DOBLY ATMOS Audio- rsr (pre-fixed)	IV 000052
III	Surround Speaker & Flat Metal Bracket(2pcs) DOBLY ATMOS Audio- rsr (pre-fixed)	IV 000049
IV	Amplifier 180W communicate cord x 1.2m + 4 cable long clip DOBLY ATMOS Audio- rsr (pre-fixed)	IV 000045
V	Woofer 4 Inch cable x 1.6m DOBLY ATMOS Audio- rsr (pre-fixed)	IV 000054
VI	Surround speaker cable x 4m DOBLY ATMOS Audio- rsr (RED / BLUE) (pre-fixed)	IV 000051 / IV 000055
VII	Woofer tube D43 x 180mm DOBLY ATMOS Audio- rsr (pre-fixed)	IV 000053
VIII	Amplifier 180W DOBLY ATMOS Audio- rsr (pre-fixed)	IV 000044
IX	IR remote control DOBLY ATMOS Audio- rsr	IV 000056
X	Power AC Cord Amplifier DOBLY ATMOS Audio- rsr (1pc)	IV 000058
XI	HDMI cable 2.0m DOBLY ATMOS Audio- rsr (1pc)	IV 000046



# Specifications

## SPECIFICATION-TV MECHANISM

FEATURE	Wireless Remote Control-TV LIFT MECHANISM
INPUT	100V-240V~ 50/60Hz 1500mA
OUTPUT	29V ---- 2A
DUTY CYCLE	MAX 10% ; MAX 2 min / 18 min
BATTERY (WIRELESS REMOTE CONTROL)	Size: AAA - Ø10.5 X T44.5mm - Spec.: 1.5V

## SPECIFICATION-5.1.2 CH DOLBY ATMOS

<b>System Section</b>	Power Supply	100-240V ~ 50/60Hz
	Power Consumption	30 W
	Power Consumption of Standby	< 0.5 W
	Impedance	8Ω x 6 + 4Ω
	Audio input sensitivity	500mV
	Frequency Response	120Hz - 20KHz
<b>MAX Output Power by speaker</b>	Total	180W
	Soundbar	15W x 2 + 30W
	Up Firing	15W x 2
	Surround	15W x 2
	Subwoofer	30W x 2
<b>Bluetooth</b>	Version / profiles	V 4.2 (A2DP, AVRCP)
	Maximum power transmitted	≤ 5 dBm
	Frequency bands	2400 MHz ~ 2483.5 MHz
<b>Remote Control</b>	Distance / Angle IR Frequency	6m / 30°
	Battery type	2 x LRO3, 1.5V, AAA
<b>Driver Size</b>	Soundbar	1.5" x 2 + 2.5" + 2" x 4+φ20mm x 2
	Subwoofer	4" x 2
	Surround	2" x 2

\* Specification subject to change without prior notice. Measured under specific conditions.

# Care and maintenance

Here are some tips to keep your new bed in tip-top condition



## Cleaning

To clean your new bed, we'd advise using a warm damp cloth - please do not use abrasive chemicals or bleach as this may damage the product.



## Checking and moving

Periodically we recommend you check that the screws or fixtures haven't become loose, over time. To move your new bed, we recommend lifting it where possible, as dragging or pushing it could cause damage to your flooring.



## Wood

Please note each of our wooden pieces are unique, meaning that markings and shade can vary slightly between beds. Over a period of time, the wood might lighten or fade slightly due to light exposure.



## Fabric

Please note depending on the lighting, positioning and surroundings of your room, the shade of the colour can sometimes appear slightly different. Over a period of time, the colour might lighten or fade slightly due to light exposure.



## Metal

Metal tends to be more resilient to everyday wear and tear. We recommend to gently dust your metal furniture and keep it dry to maintain its look.

Thank you for shopping with us - we hope you have a great night's sleep

*Sleep well*