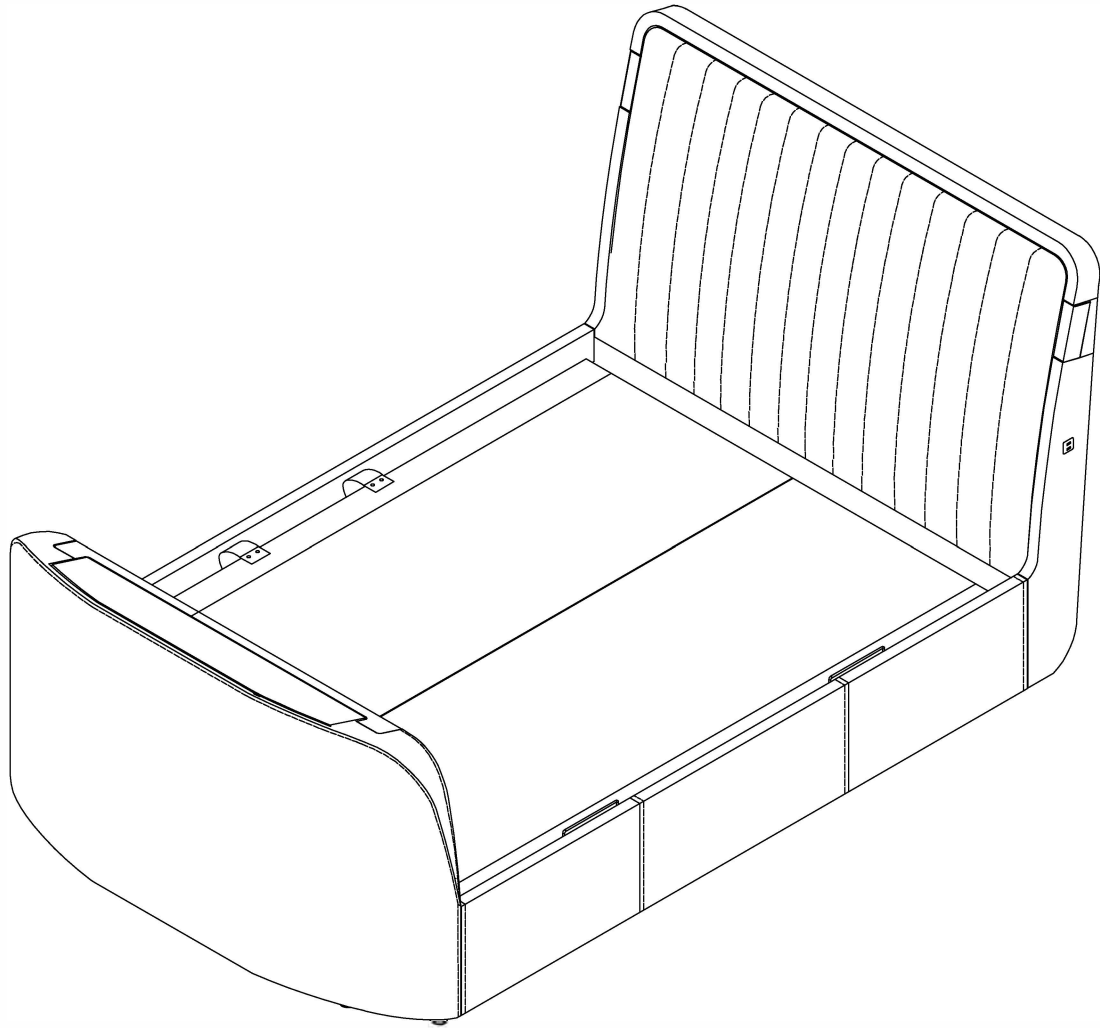
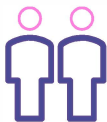


Yokohama Ottoman TV Bed



1 hour approx
assembly time

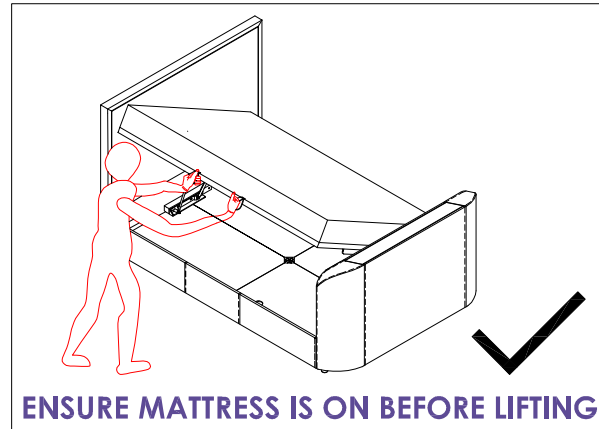


Two person
assembly

Dreams

IMPORTANT OTTOMAN SAFETY WARNINGS

- **IMPORTANT-READ CAREFULLY-RETAIN FOR FUTURE REFERENCE**
- You must ensure that the mattress is on the bed frame before operating the lift mechanism-Failure to do so could result in injury.



- Keep hands clear of the mechanism when opening or closing the ottoman.
- Beware of entrapment - Never reach in through the mechanism to access the storage area.
- Always ensure that the ottoman is FULLY opened before accessing the storage area.
- Do not exceed the maximum weight as specified in the table below :

Bed Size	Min Weight (kg)	Max Weight (kg) (Recommended)
Double	25	50
King	25	60
Super King	35	65

- Use caution when operating, always use the handle when lifting.
- Note: This bed uses a pressurised mechanism.
- To be operated by adults only.
- Please ensure that children and pets are kept away from the bed when operating the lift mechanism.
- Keep children and pets away from the storage area.
- Do not overload the internal storage base.
- Do not stand inside the internal storage area of the bed.
- Before removing the mattress secure the frame to ensure it does not open unexpectedly.
- Do not attempt to lie on the mattress when the ottoman is in the raised position.
- When lifting the ottoman remove all bedding except the fitted sheet.

Thank you

Hello, thanks for choosing to purchase your bed from Dreams - you're now on your way to your best ever night's sleep. Before you begin building your bed, please take a moment to read through the instructions and make sure that you've got all the relevant parts listed on the following pages.



Assembly tips

Before you begin, it's best to identify all parts and fittings to build your bed. We advise laying these out on the floor to check you have everything, and familiarising yourself before building.



Top tip

We recommend that you build your new bed in the room you'd like it to be located - this will help prevent any risk of damage to your newly built bed whilst moving it.



Safety and care

It's really important to ensure children and animals are kept away from the assembly area, as there are small components used in this bed which could present a choking hazard. All plastic and wrapping materials should also be kept away from children and animals to prevent any risk of suffocation. To keep your little ones busy, there is a colouring page inside the back cover.



Help and support

At Dreams, it's our mission to give the whole nation a great night's sleep - this means that the quality of our products is of utmost importance to us. If there are any issues with your product or any missing parts, please visit our website at www.dreams.co.uk/help



Recycling

Please ensure that packaging is disposed of in a safe and environmentally friendly way, and recycle where possible. Please keep your assembly instructions safe to refer back to in the future.

UK Tech Support

Email: support@bssbfurnitureinnovation.com

Tel: 01462 600 064

Important Information

- We suggest you spend time reading through this leaflet and then follow the simple step-by-step instructions.
- Carefully check that you have all the parts before beginning assembly.
- Keep fittings out of children's reach and keep children well away from construction area.

We suggest you retain these instructions for future reference.

Technical description:

An electro-mechanically operated TV bed with a wireless remote control to operate the 'upward' and 'downward' movement of the TV mechanism in the bed base foot-end. The system consists of either a 'posture slatted' or ottoman type 'boarded bed base'. The product has an integrated speaker system built into both the foot-end and head-end bases. The product does not contain any safety functions built into a control system and is powered by voltage 100V - 240V 50/60Hz with a UK plug conforming to BS 1363 and pre-approved (UKCA/ CE marked) power supply unit. The beds upholstery conforms to EN 1725 & BS 5852 Standards. The product is sold to the retailer - without mattress and TV unit.

Intended use:

The product is designed for indoor home, domestic use where TV beds are considered suitable for "adults of 12 years and above". Its main intended use is for sleeping or resting. However, the foot-end of the bed has been designed and manufactured to accommodate, raise and lower, compatible televisions, purely for the purpose of the experiencing media entertainment.

TV Lift System has a maximum load capacity of 80lbs (37kg)

Compatible with slimline LED Televisions with a screen size between 20" and 43"

Maximum TV Dimensions are as follows - Depth 90mm x Width 970mm x Height 580mm (WITHOUT STAND).

(Note: The manufacturer does not accept any responsibility for damages caused to Televisions or Bed Frame Foot-ends, in scenarios or instances where a 'none compatible Television has been selected. Depths of TV and 'rear cable' protrusion measurements should be of particular note.

Application environment:

This product is designed for sale in the UK for use within a domestic environment (excluding nursing homes, geriatric facilities, hospitals, contract environment). The product is designed to be moved only within the intended room of use, for cleaning and for access.

Care Instructions

- Avoid exposing the furniture to excessive heat or direct sunlight as this can cause cracking and deterioration of the color.
- Periodically check & re-tighten any fastener.
- Periodically dust lightly with a clean soft cloth.
- Do not use silicone based furniture polish.
- Any spills should be removed immediately with a soft damp cloth.
- **TAKE CARE WHEN MOVING THE FURNITURE AND NEVER DRAG THE PIECES ACROSS THE FLOOR, AS THIS WILL CAUSE DAMAGE TO THE JOINTS.**

DO NOT USE ANY POWER TOOLS AS THIS MAY DAMAGE THE FRAME AND WILL INVALIDATE ANY CLAIM

Tips before you start!

1. Please check that all parts are present before you start the assembly of your furniture.
2. For ease and speed of assembly, we recommend that before you commence each step of the assembly, that you identify all the parts required for that step.
3. For larger items, please ensure that you have sufficient space and people (as indicated on page 1) to assemble your product safely. (Minimum Two Persons)
4. We recommend where possible, all items are assembled near to the area where they will be placed in use, to avoid moving the product unnecessarily once assembled.
5. Please ensure that your bed is placed on a level floor area. (Avoid setting up and installing your bed on uneven floor surface.)
6. For the protection of your furniture, we recommend that the product is placed on a protected surface during assembly to prevent any damage.
7. During assembly please take care not to over-tighten any fittings, as this may damage the product.

Care and Maintenance of your Furniture

- Please do not jump on your furniture.
- Never allow any kind of liquid to remain on your furniture. This can cause finishes to de-laminate. Take care when spraying Perfume and deodorants etc as the vapour can settle on the fabric surface and cause damage.
- The bed should always be lifted into position if moved for cleaning.
- In instances the TV lift mechanism or audio system are not functioning correctly, please switch off main power and check all the connections and assemblies are to the assembly instruction specification.

ATTENTION! PLEASE NOTE:

In the event you are experiencing any technical difficulties and you require additional assistance/ support with your product 'Mechanical/ Electrical' function - Please contact:

SUPPORT EMAIL : support@bssbfurnitureinnovation.com

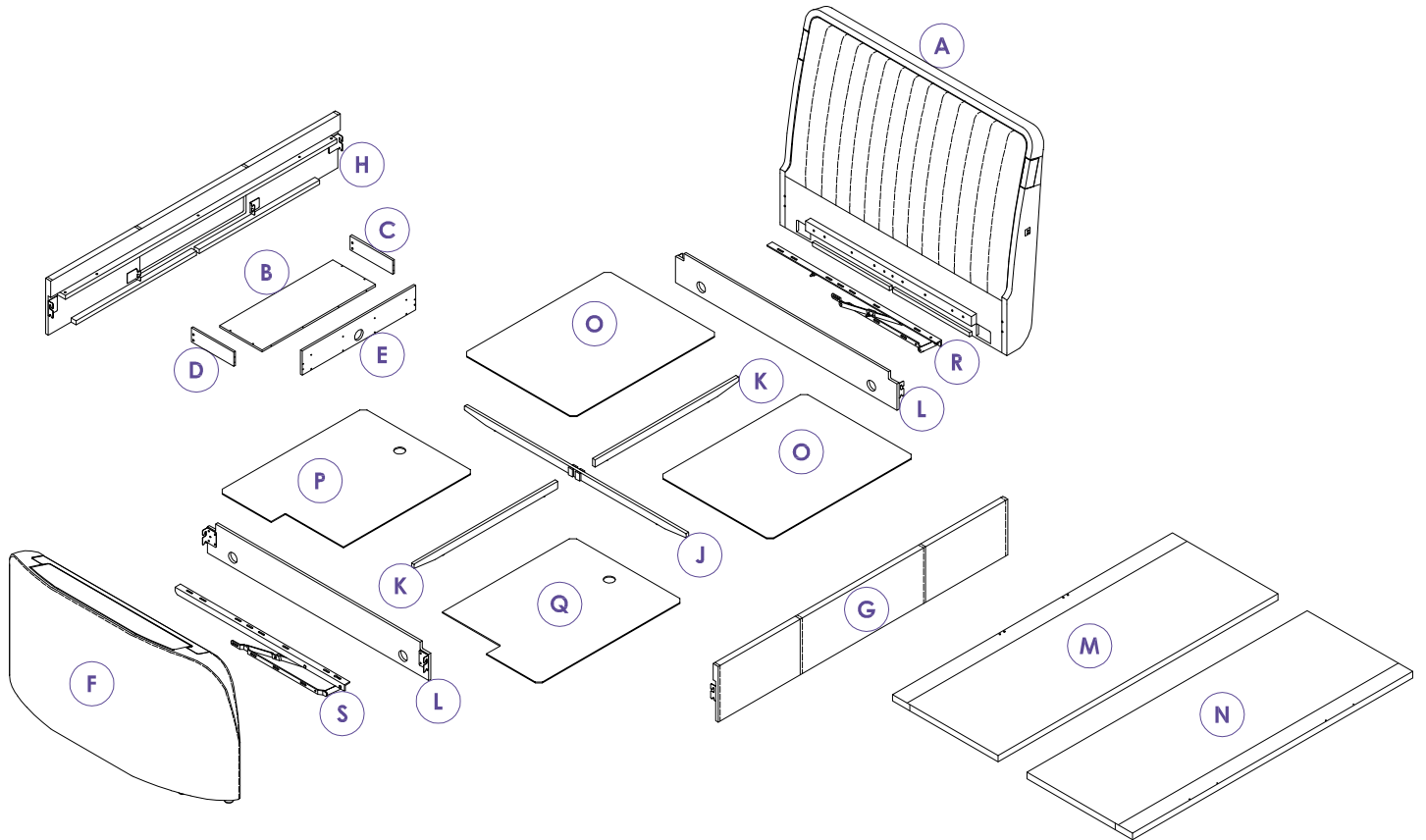
UK PRODUCT SUPPORT HOTLINE : 01462600064

Contact your retailer for all other issues such as damage, missing or faulty components (non electrical) or anything else of a non technical/electrical nature.

Parts

Important information

Please identify which base you have purchased with your bed frame as the assembly method may change. Once you have identified you have all of the relevant parts and fittings, please follow the instructions for your chosen base below;

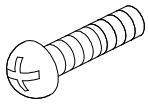


Parts list

A.	Headboard	<input type="checkbox"/>	L.	Centre Rail	<input type="checkbox"/>
B.	Media Compartment Base Panel	<input type="checkbox"/>	M.	Front Lift Base	<input type="checkbox"/>
C.	Media Compartment Side Panel (L)	<input type="checkbox"/>	N.	Back Lift Base	<input type="checkbox"/>
D.	Media Compartment Side Panel (R)	<input type="checkbox"/>	O.	Base Panel (Head End)	<input type="checkbox"/>
E.	Media Compartment Rear Panel	<input type="checkbox"/>	P.	Base Panel Left (Foot End)	<input type="checkbox"/>
F.	Footboard	<input type="checkbox"/>	Q.	Base Panel Right (Foot End)	<input type="checkbox"/>
G.	Side Rail- 1	<input type="checkbox"/>	R.	Lift Up Mechanism Left	<input type="checkbox"/>
H.	Side Rail- 2	<input type="checkbox"/>	S.	Lift Up Mechanism Right	<input type="checkbox"/>
J.	Bottom Cross Rail (Long)	<input type="checkbox"/>			
K.	Bottom Cross Rail (Short)	<input type="checkbox"/>			

Fittings

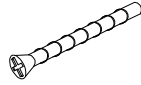
Please check you have all the parts listed below with your product:



(T) M8 x 25
x 10 pcs
(x 8 pcs
Pre-Installed)



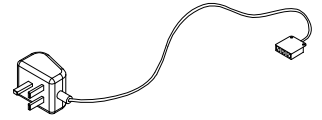
(U) M8 x 16
x 12 pcs



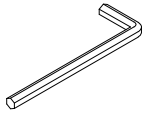
(V) M5 x 35
x 12 pcs



(W) M4 x 12mm
x 4 pcs
(Pre-Installed)



(AC) 3 Way AC Adaptor
x1 pc



(AD) Allen Key M4



(AE) Screwdriver



(AF) Strap Handle
x 2 pcs



(AG) Ø5 x 80 x 200mm
x 2 pcs



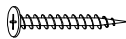
(AH) M6 x 20
x 4 pcs
(x 14 pcs
Pre-Installed)



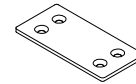
(AI) M6 x 16mm
x 4 pcs
(x 12 pcs
Pre-Installed)



(AJ) M8 x 18mm
x 10 pcs



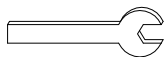
(AK) #8 x 1-1/4"
x 16 pcs



(AL) 3 x 40 x 86mm
x 4 pcs



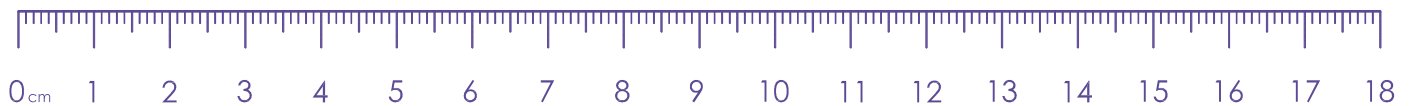
(AM) M8 x 13mm
x 4 pcs



(AN) Spanner
x 1 pc



(AO) Gas Spring
x 2 pcs
* DOUBLE 800N
* KING 1000N
* SUPER KING 1400N



Tools required

Please check you have all these below:



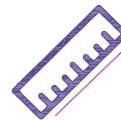
Flathead
screwdriver



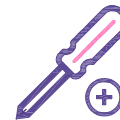
Scissors



Spanner



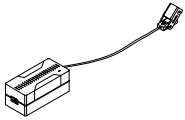
Tape measure



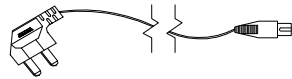
Cross head
screwdriver

Fittings (TV Lift & TV Connection)

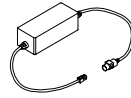
Please check you have all the parts listed below with your product:



(12) AC Adaptor
x 1 pc



(13) TV lift up mechanism AC/
power cable power plug
x 1 pc



(14) Control box
x 1 pc



(15) Cable Clip
x 2 pcs



(16) Aerial Connection
x 1 pc



(17) 90 degree HDMI adaptor
x 1 pc



(18) Allen Key (M4)
x 1 pc



(19) PH M4 x 20mm
x 2 pcs



(20) PH M5 x 20mm
x 2 pcs



(21) PH M6 x 20mm
x 2 pcs



(22) PH M8 x 20mm
x 2 pcs



(23) M5 Washer
x 2 pcs



(24) M6 Washer
x 2 pcs



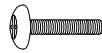
(25) M8 Washer
x 2 pcs



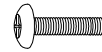
(26) Plastic Collar
x 6 pcs



(27) PH M4 x 40mm
x 2 pcs



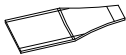
(28) PH M5 x 40mm
x 2 pcs



(29) PH M6 x 40mm
x 2 pcs



(30) PH M8 x 40mm
x 2 pcs



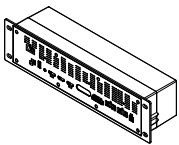
(31) Wireless Remote
Control Pocket
x 1 pc



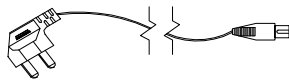
(32) Cable Clip
x 2 pcs

Fittings (Audio / Speaker Connection)

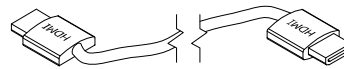
Please check you have all the parts listed below with your product:



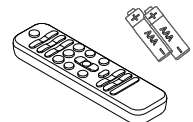
(VIII) Amplifier
x 1 pc



(X) AC Power Cord
x 1 pc



(XI) HDMI Cable
x 1 pc



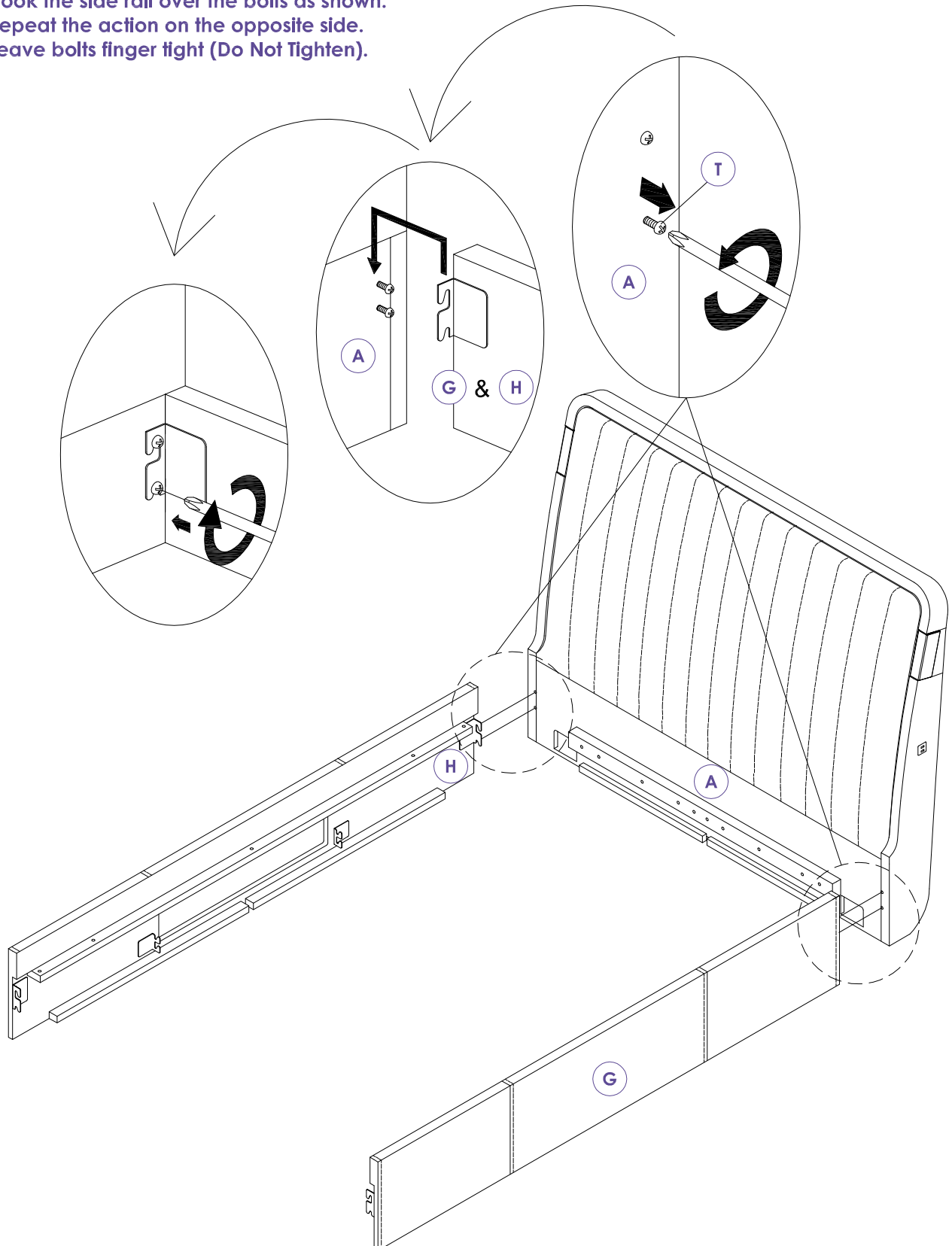
(XII) Remote Control x 1
Batteries x 2

Side Rail Assembly

1

Note : The Location of the media compartment access hole (Item H) will need to be on the side where the ottoman will open.

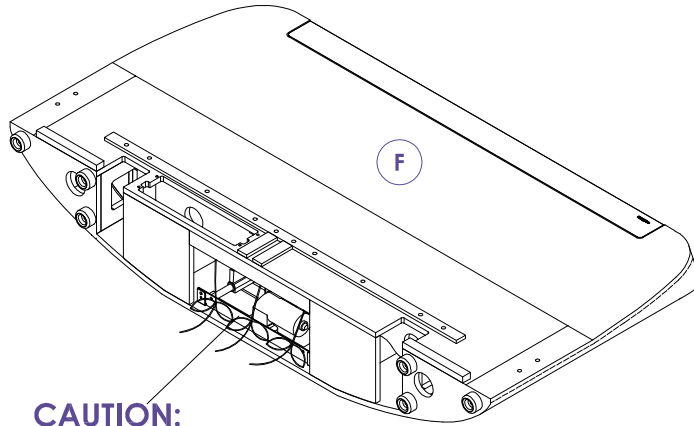
- Before assembly please decide which side you require the " Media Compartment " Part 'H' side rail with opening will need to be placed at that side.
- Loosen the bolts located in the head end. (Note: only loosen the bolts Do NOT remove them.)
- Hook the side rail over the bolts as shown.
- Repeat the action on the opposite side.
- Leave bolts finger tight (Do Not Tighten).



Foot End Hardware

2

- Carefully remove the footboard from carton 2.
- To do this you will need to gently lay the foot end on it's back. Before doing so please ensure the area is completely free of anything that may cause damage or press into the fabric. Place a protective cover on the floor to avoid possible damage.
- The accessories box are held in place by string please carefully cut these.

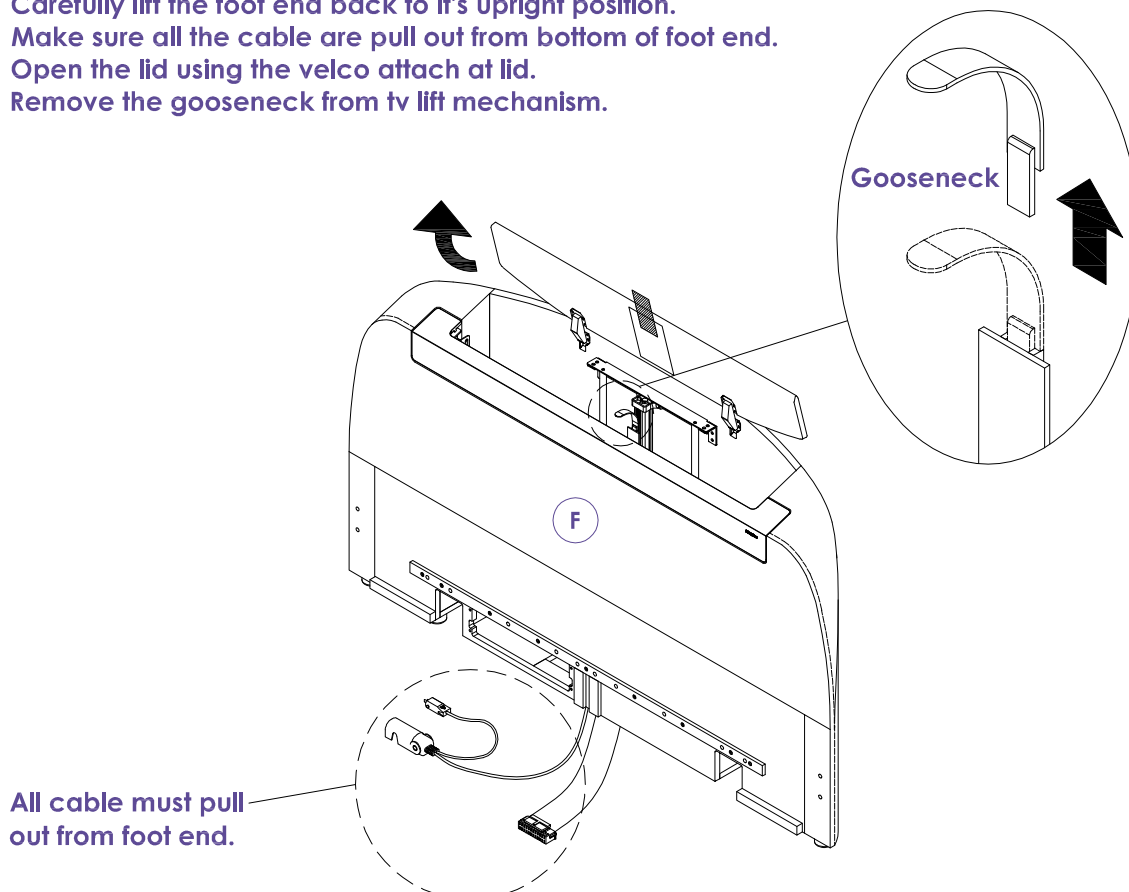


CAUTION:
PLEASE USE SCISSORS
TO CUT THE THREE STRING.

Foot End Hardware

3

- Carefully lift the foot end back to it's upright position.
- Make sure all the cable are pull out from bottom of foot end.
- Open the lid using the velco attach at lid.
- Remove the gooseneck from tv lift mechanism.



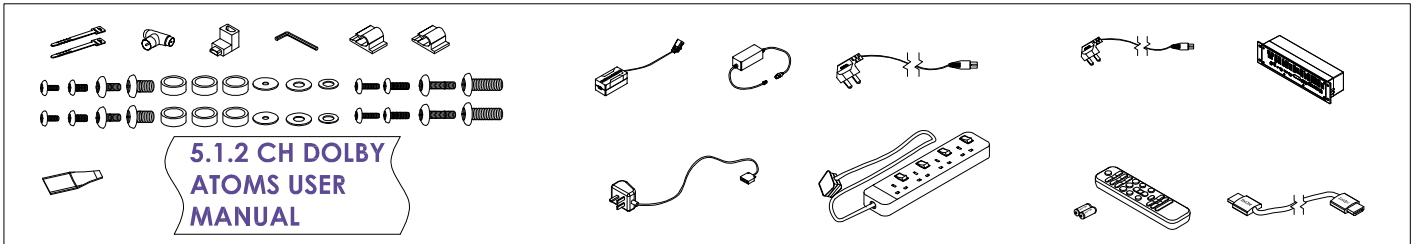
All cable must pull
out from foot end.

Foot End Hardware

4

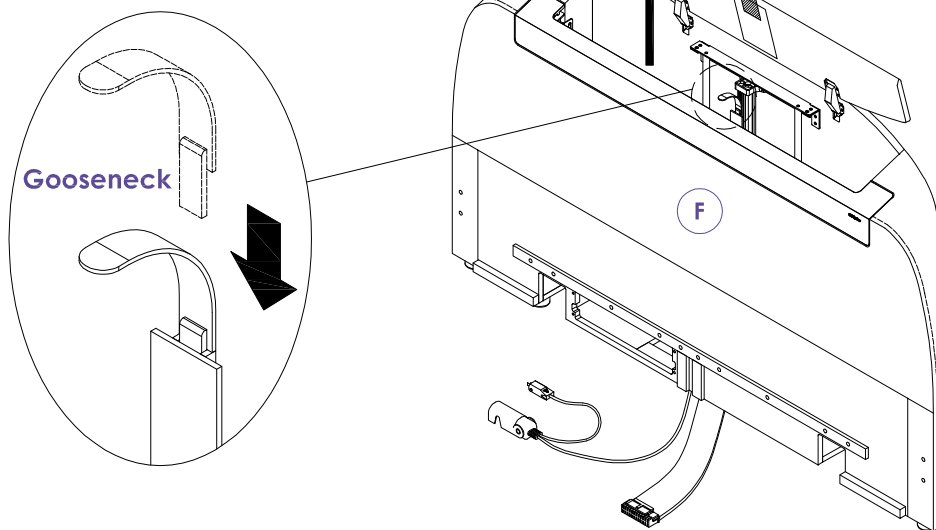
- Remove the Hardware Box from inside.
- Attach back the gooseneck to the tv mechanism.
- Remove the velco from the lid.

Hardware Box



CAUTION:
TAKE CARE WHEN REMOVING
THE ACCESSORY BOXES NOT
TO CATCH YOUR HANDS ON
THE SIDES.

Remove the velco after take out the
hardware box from foot end.



ATTENTION! PLEASE NOTE:

In the event you are experiencing any technical difficulties and you require additional assistance/ support with your product 'Mechanical/ Electrical' function - Please contact:

SUPPORT EMAIL : support@bssbfurnitureinnovation.com

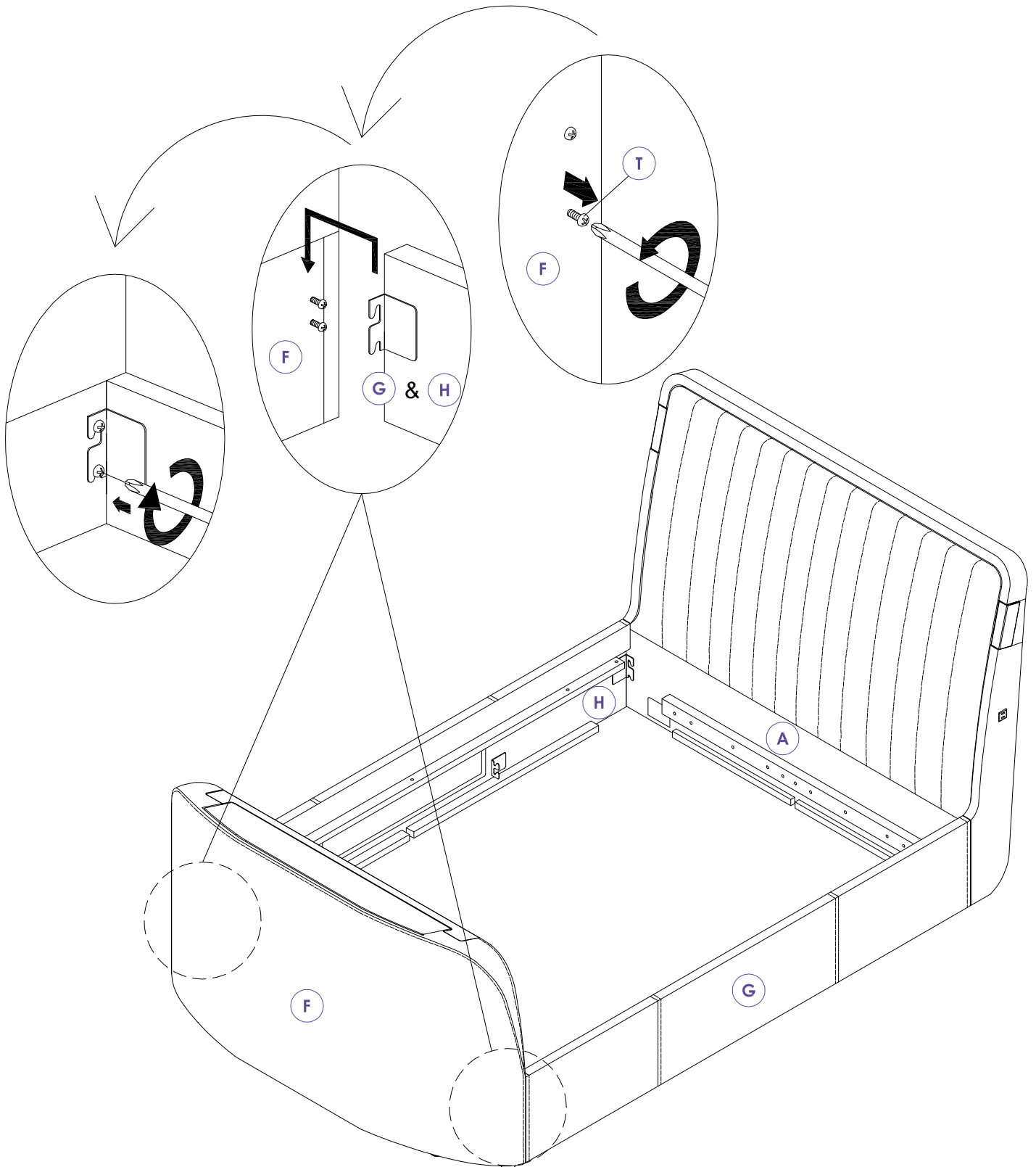
UK PRODUCT SUPPORT HOTLINE : 01462600064

Contact your retailer for all other issues such as damage, missing or faulty components (non electrical) or anything else of a non technical/electrical nature.

Foot End & Side Rail Assembly

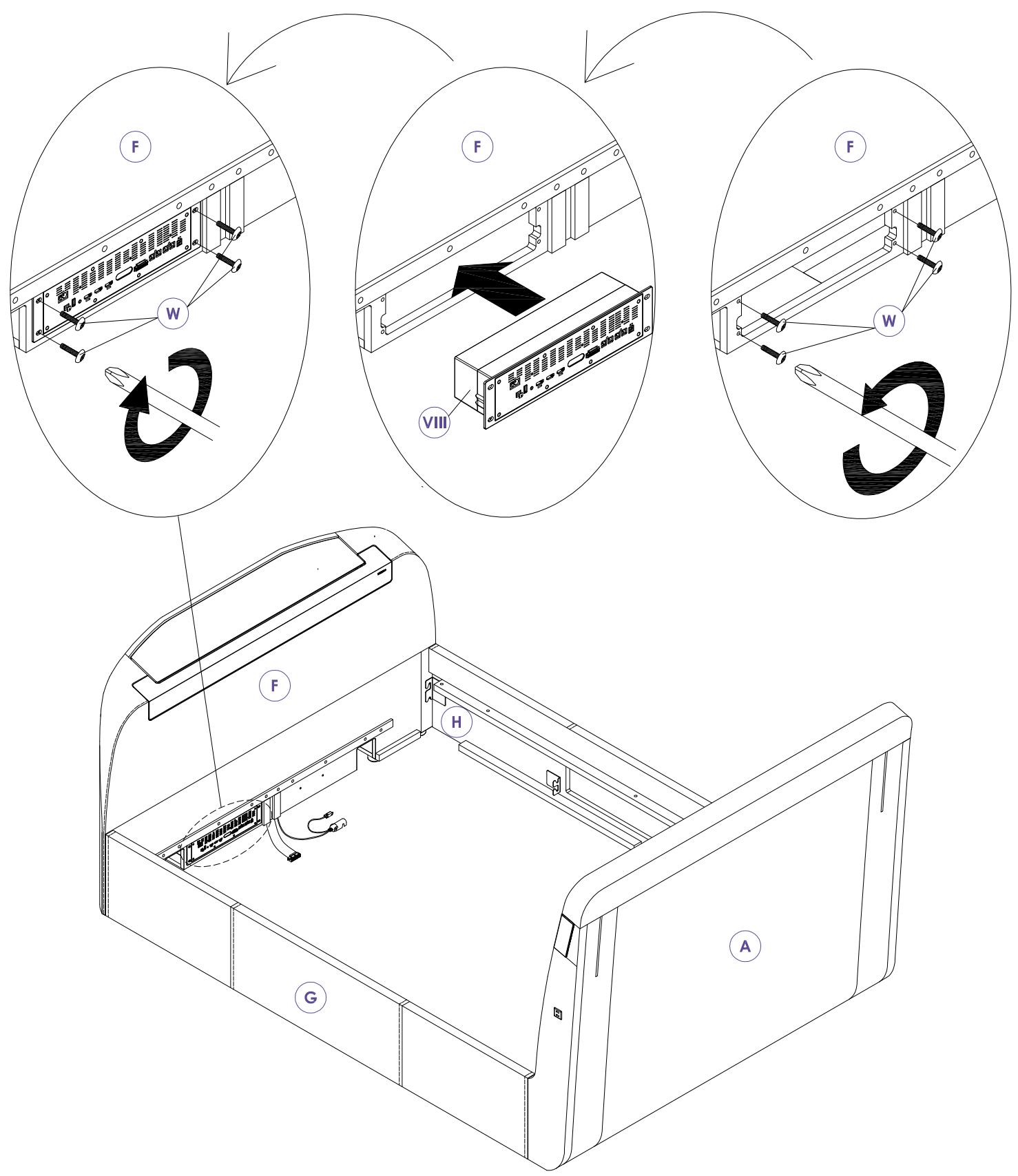
5

- Loosen the bolts located in the foot end.
- Please note these should only be loosened and **NOT** removed.
- Hook the side rail brackets over the bolts on both sides.
- Leave bolts finger tight (Do Not Tighten).



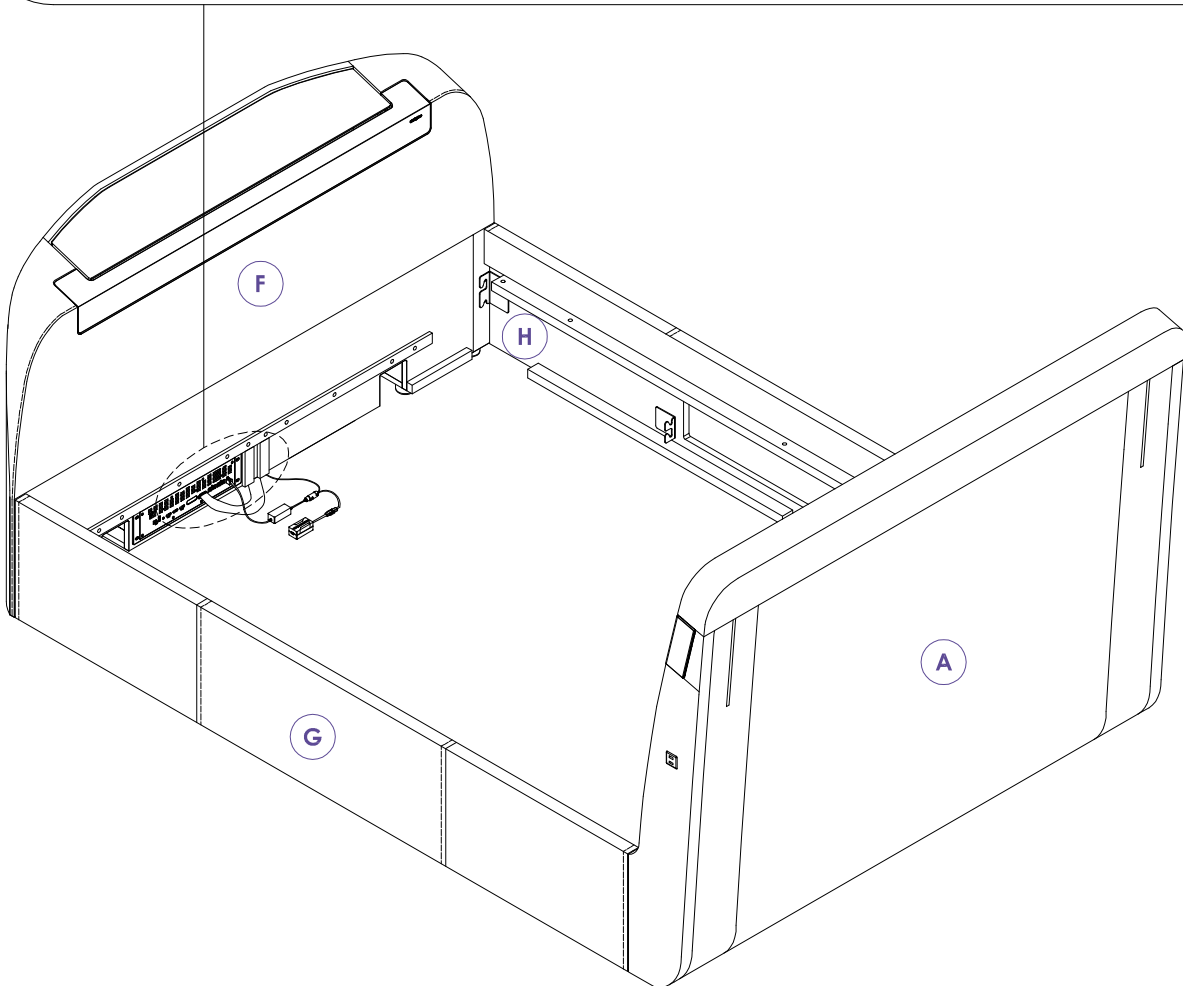
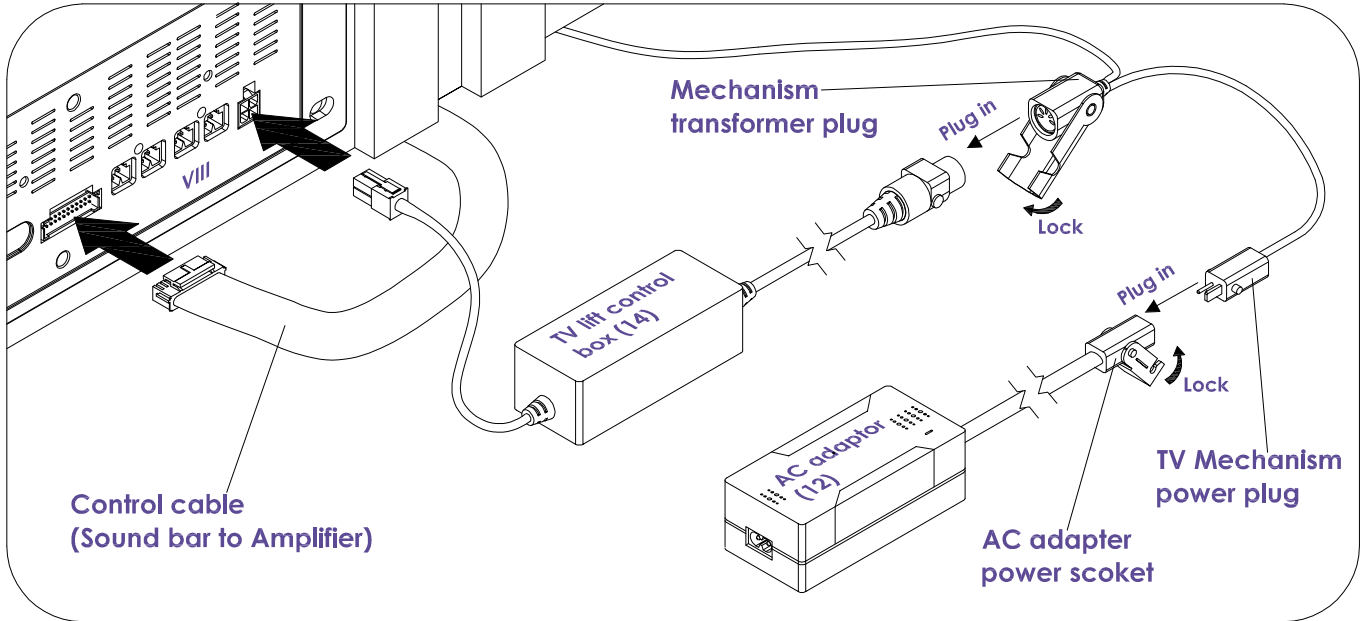
6

- Remove the bolt (W) on foot end as shown.
- Attach the amplifier (VIII) to the foot end.
- Then tighten the amplifier (VIII) with the bolt (W).
- For more detail information "Amplifier" please refer to [5.1.2 CH DOLBY ATMOS user manual \(pages 6\)](#).



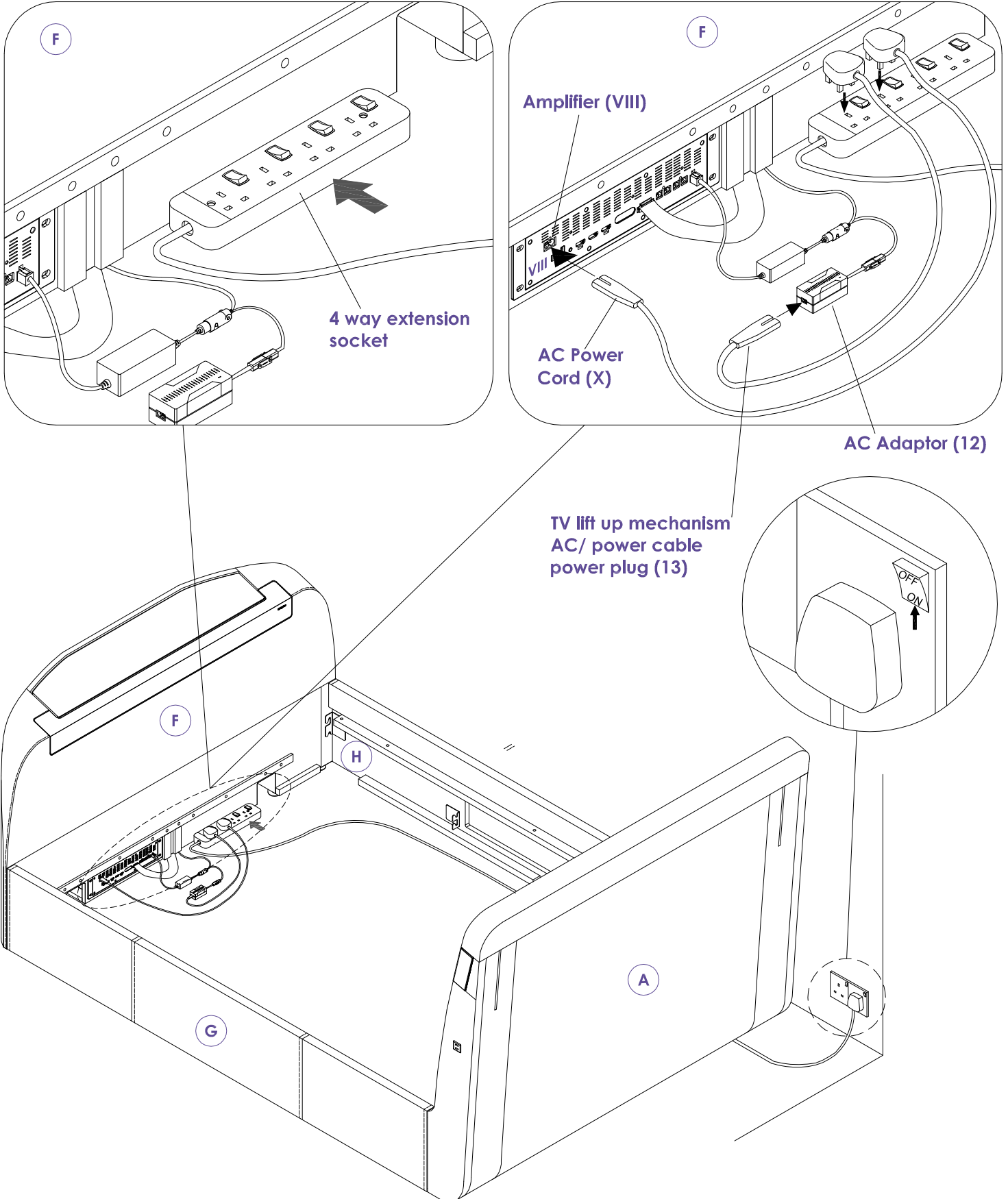
7

- Connecting the cable as shown. Failure to do so may result in damage to your product.
- Connect the control cable - Sound bar to the Amplifier (VIII) as shown.
- Connect the TV lift control box socket (14) to the Amplifier (VIII) and the Mechanism transformer plug.
- Connect the AC adaptor power socket (12) to TV mechanism power plug.



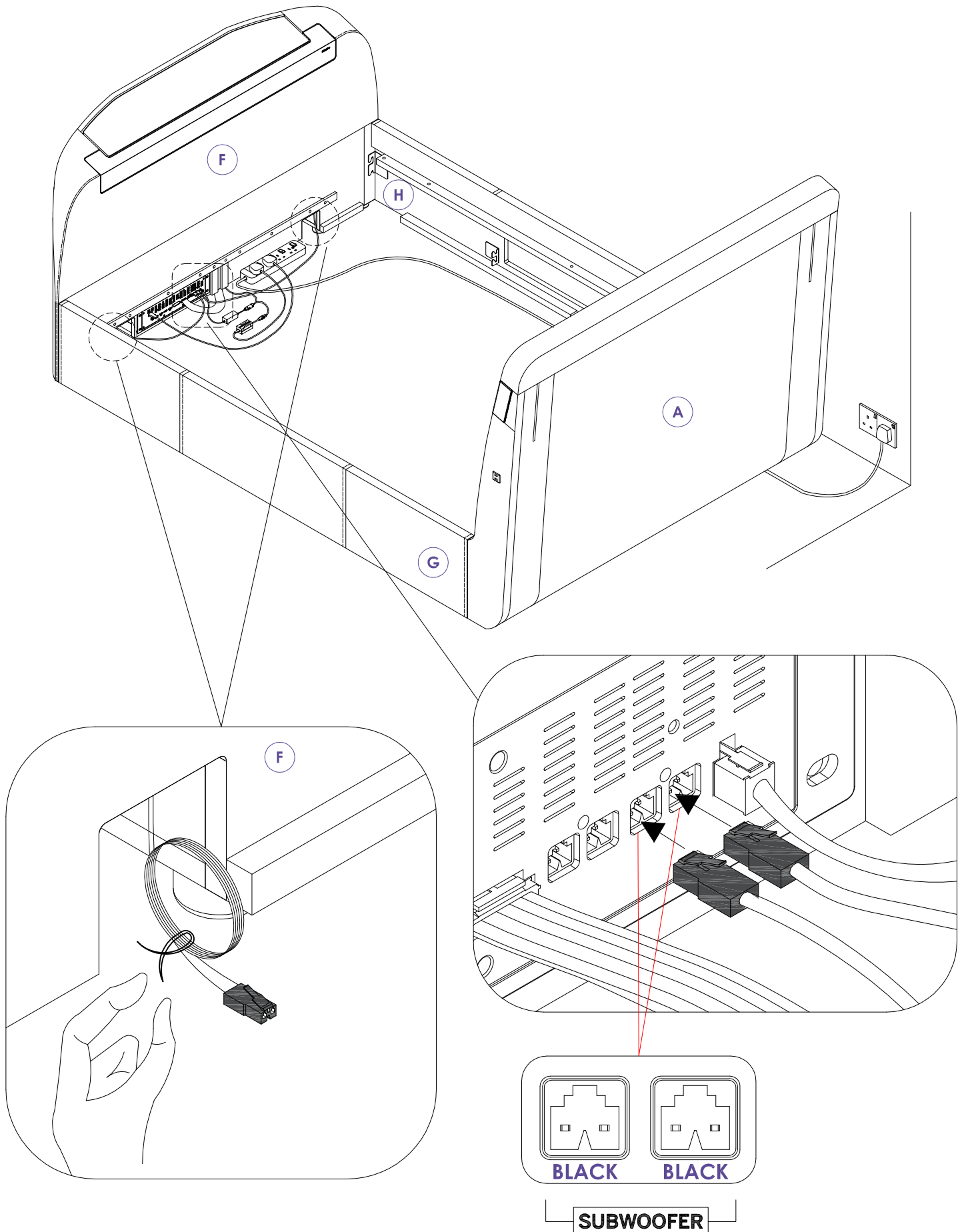
8

- Place the 4 way extension socket near to the footboard as shown.
- Connecting the AC power cord (X) to the Amplifier (VIII) and the extension power socket.
- Connecting the TV lift up mechanism AC/ power cable power plug (13) to AC adaptor (12) and the extension power socket.
- Connect the extension power socket cable to a working mains power supply.
- Switch on the mains power supply.



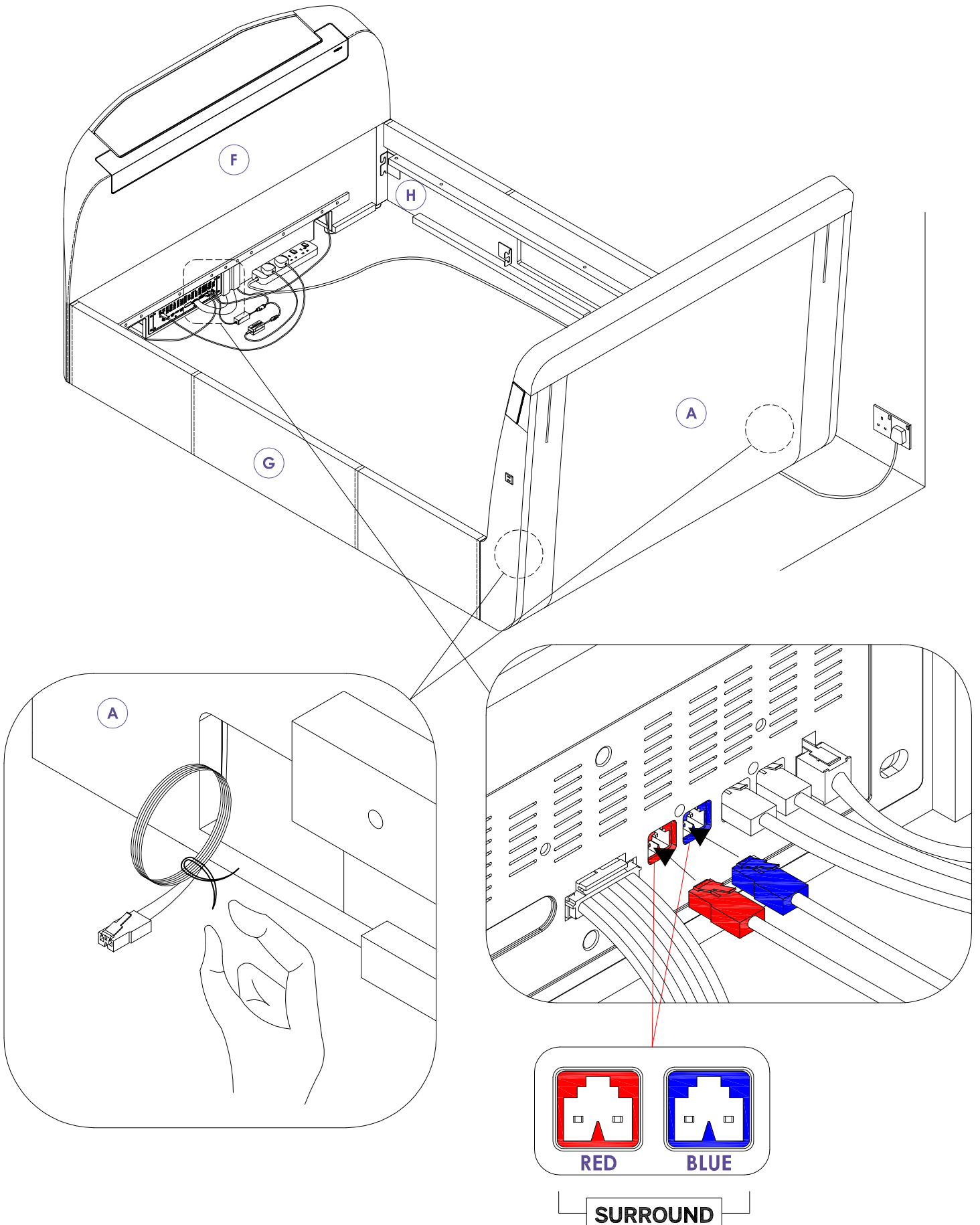
9

- Untie the subwoofer cable located in the foot end cable holes.
- Connect the subwoofer cable to the Amplifier (VIII) as shown.



10

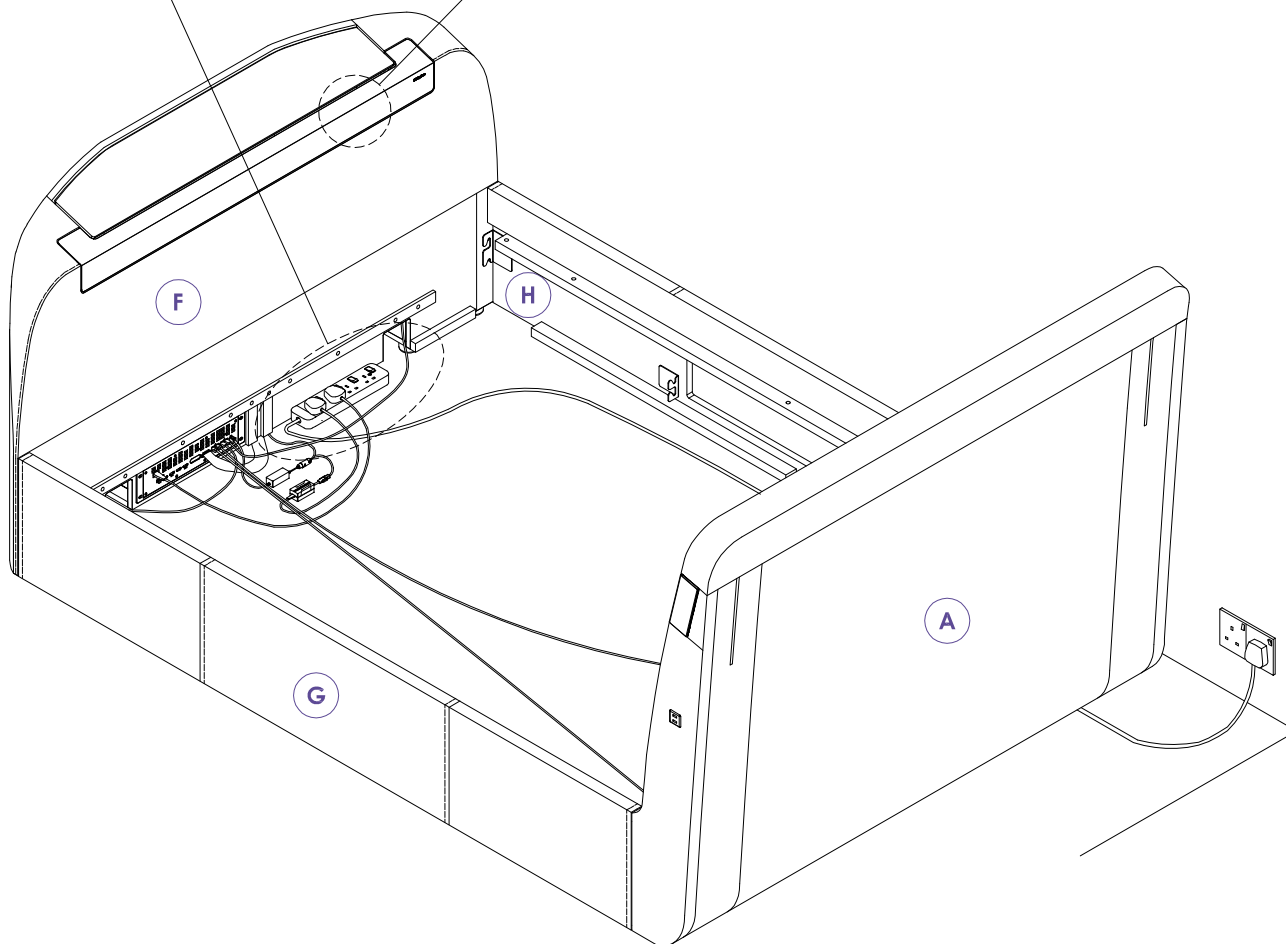
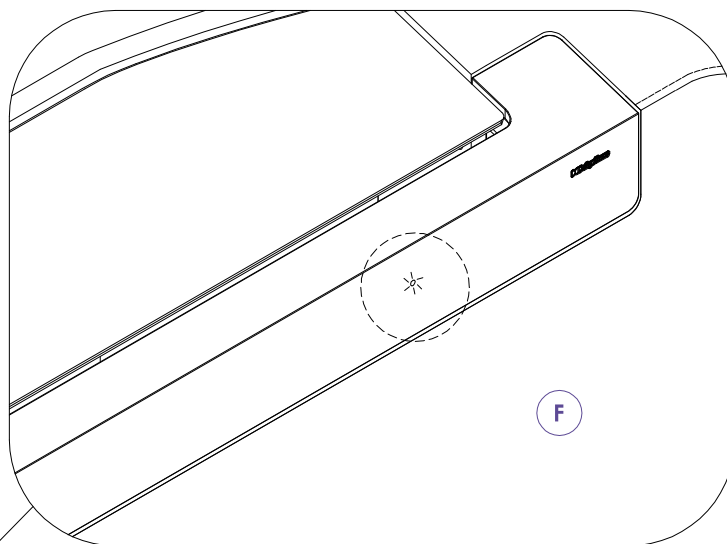
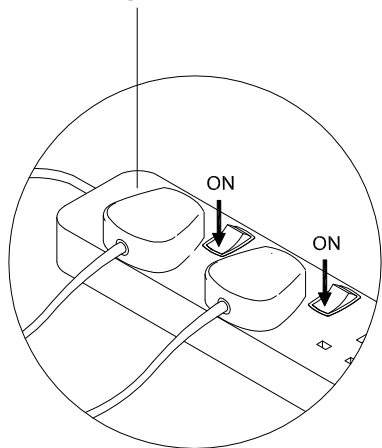
- Untie the surround speaker cable located in the head end cable holes.
- Connect the surround speaker cable to the Amplifier (VIII) follow the color mark as shown.



11

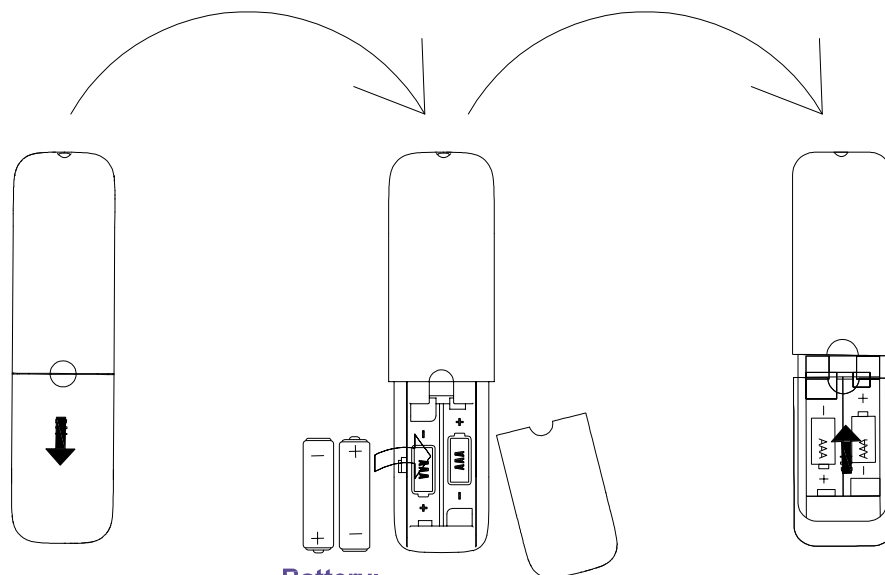
- Switch on the extension power socket, the indicator power on "dot light" will appear on the sound bar (as shown).

Extension power socket



12

- Unpack the remote control & battery from pack.
- Turn around the remote control, then press and slide the back cover to open the battery compartment of the remote control.
- Insert two AAA size batteries. Make sure the (+) and (-) terminals of the batteries match the (+) and (-) terminals indicated in the battery compartment.
- Slide up to close the battery compartment cover.



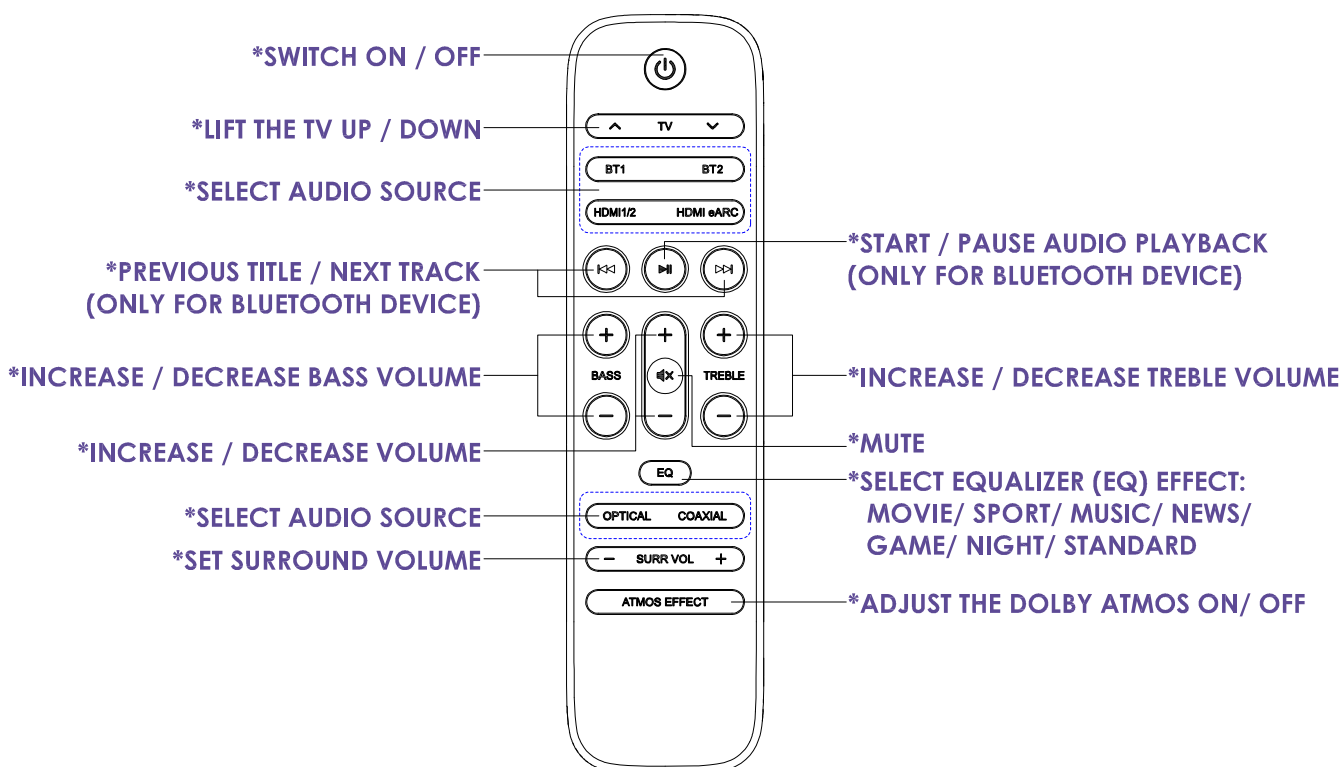
Battery:

Size: AAA - Ø10.5 X T44.5mm

Spec.: 1.5V

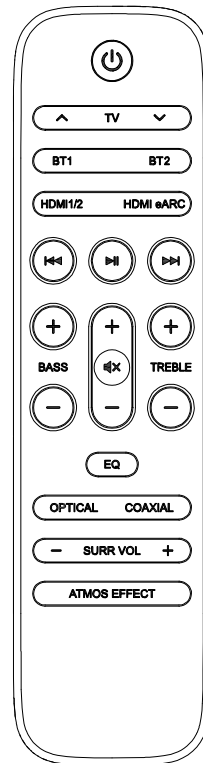
13

- Remote control.
- For more detail information "Remote Control" please refer to [5.1.2 CH DOLBY ATMOS user manual \(pages 6\)](#).

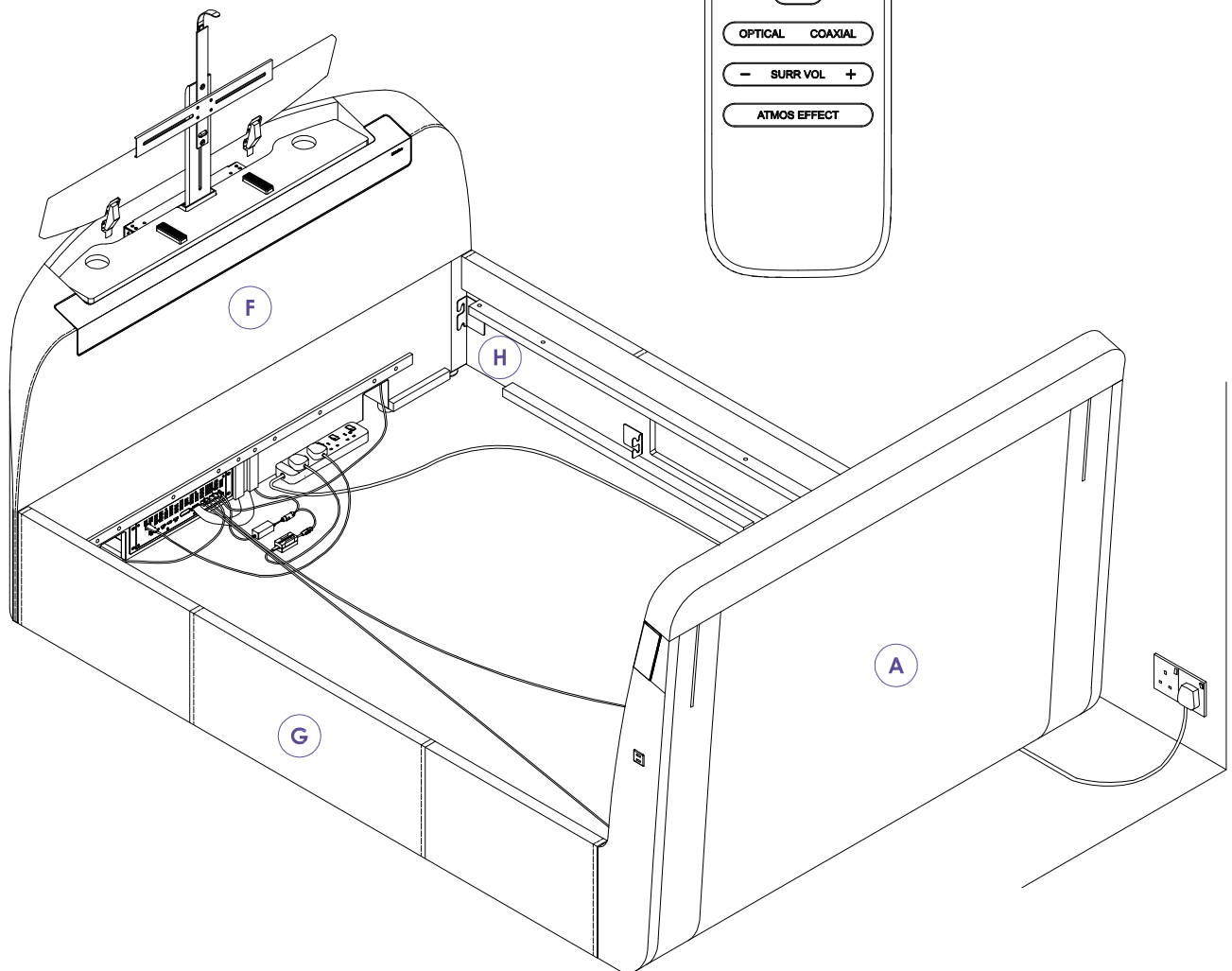


- Press the switch on / off to on the remote control.
- Press and release "UP" button on the remote control, which will then raise the TV lift mechanism .The footboard lid will open to its full extent. Press and release the "DOWN" button to lower the TV mechanism.
- **NOTE : WHEN OPERATING THE UP / DOWN FUNCTION OF THE TV LIFT MECHANISM ALWAYS ENSURE HANDS ARE AWAY FROM THE INNER EDGE OF THE FOOTBOARD.**
- If the "Remote control" does not operate the TV mechanism, please refer to [5.1.2 CH DOLBY ATMOS user manual \(pages 13\) \(TROUBLE SHOOTING\)](#).

Remote Control



Always use the remote control to switch off the audio system before you "turn off the main power supply".

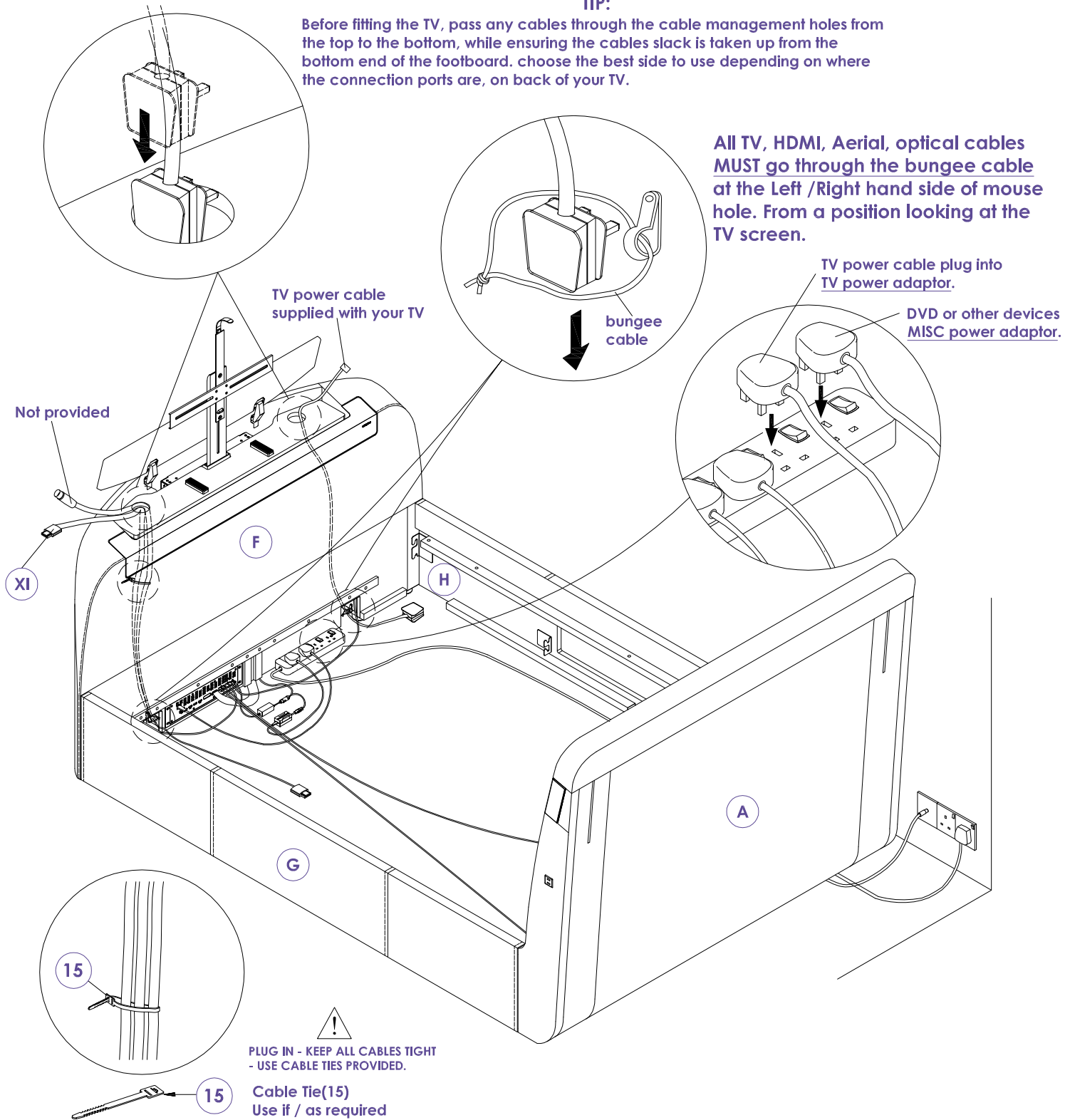


15

- Cable connection plan. Make sure you have all the relevant cable connections required (HDMI cable, TV Aerial cable, TV power cable, Optical cable etc...) before you install the TV.
- The cable management holes are to help you to manage the cable and keep them tidy and free from snags. Pass all cables cleanly through these holes. While ensuring any cable slack is taken up from the bottom end of the footboard.

TIP:

Before fitting the TV, pass any cables through the cable management holes from the top to the bottom, while ensuring the cables slack is taken up from the bottom end of the footboard. choose the best side to use depending on where the connection ports are, on back of your TV.



PLUG IN - KEEP ALL CABLES TIGHT - USE CABLE TIES PROVIDED.

15 Cable Tie(15)
Use if / as required

Place all cables through the 'Cable Management' holes to prevent any damage to the cable when the TV Lift Mechanism is operating. Make sure all your the cables are long enough to let the TV Lift Mechanism move freely.

All the cables MUST be carefully pulled through the footboard and fully extended.

Group the cables together as required below the TV Tray using cable tie(15) provided.

Note: Do not pass any cables across the back of the mechanism.

16

- Adjust the TV tray to suit the height of your TV (without stand). Please follow below steps.

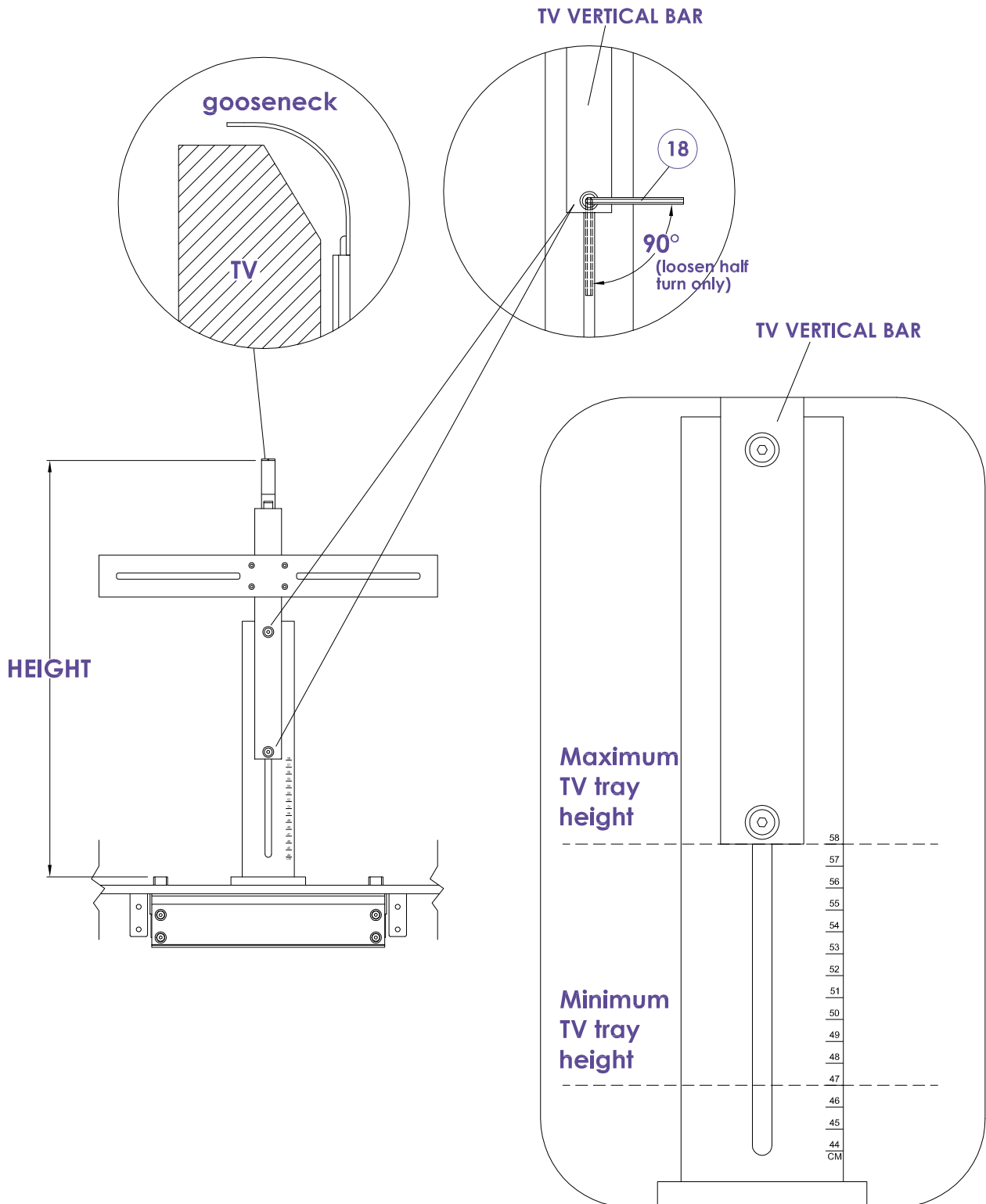
18.1 : Make a note of the height (without stand!) of your television.

18.2 : Use the Allen key (18) to 'slightly' loosen the bolts-'half turn only', do not fully unscrew.
(Please refer diagram below)

18.3 : Slide "UP/ Down the TV vertical bar to using the measure line to match the noted height of your TV.
Then fully tighten the bolts.

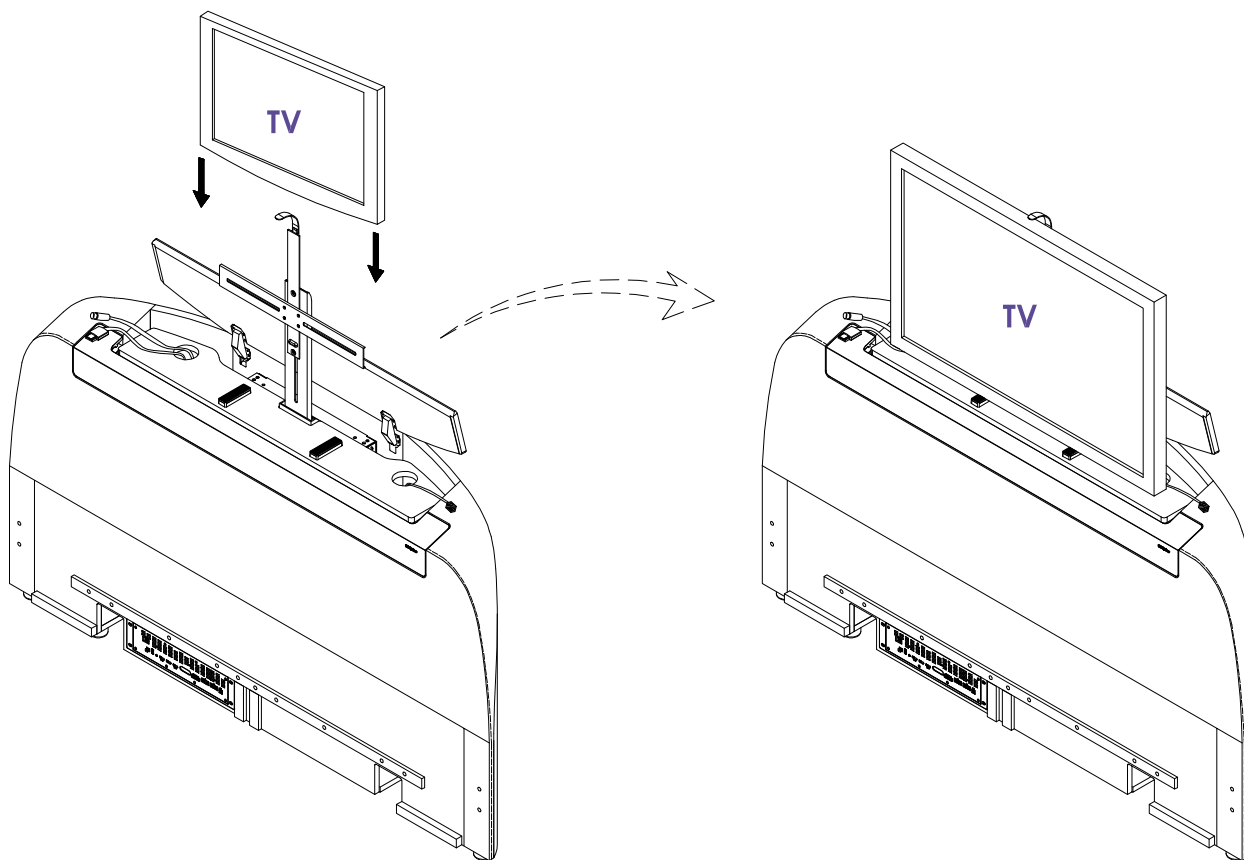
18.4 : When the TV is mounted it should sit neatly just underneath the Gooseneck.

Note: The minimum height of the TV Tray is 470mm. If the TV height measures less than 470 mm (without stand) the TV will not fit to the mechanism.



17

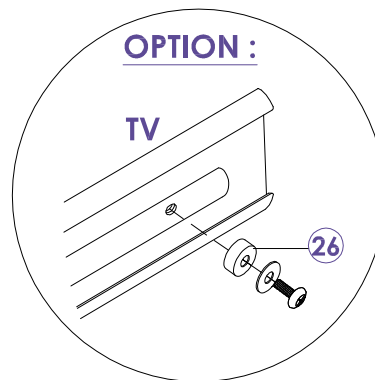
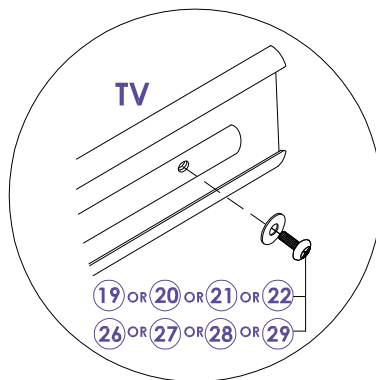
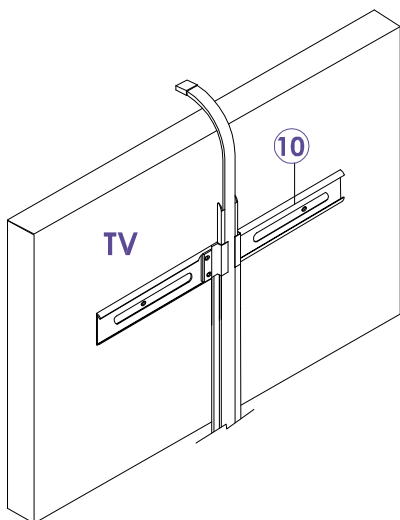
- You are now ready to install your TV.
- Raise the mechanism to it's highest position.
- While standing behind your television (on the outside end of the footboard).
- Carefully place the TV on top of the two rubber TV mounting pedestals - ensuring the Gooseneck arm is perfectly inline with the horizontal 'centre' of the TV.



18

• TV Flat Bracket (vesa bracket).

Please note : Item (19-22) & (27-30) screws have been supplied to fit most TV models. However sizes may differ depending on the TV model. If smaller or larger size screws are required these should be sourced from your local hardware store or TV specialist. Washers may also be required. Your retailer may also supply alternative fixings depending on the TV model supplied at the time.

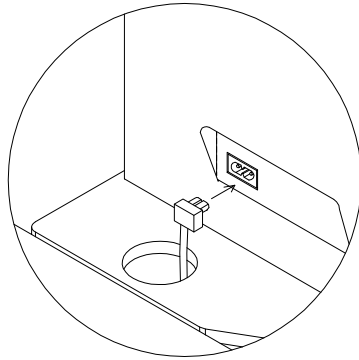


BOLT	18	19	20	21
BOLT	27	28	29	30
WITH	↓	↓	↓	↓
WASHER	23	24	25	26

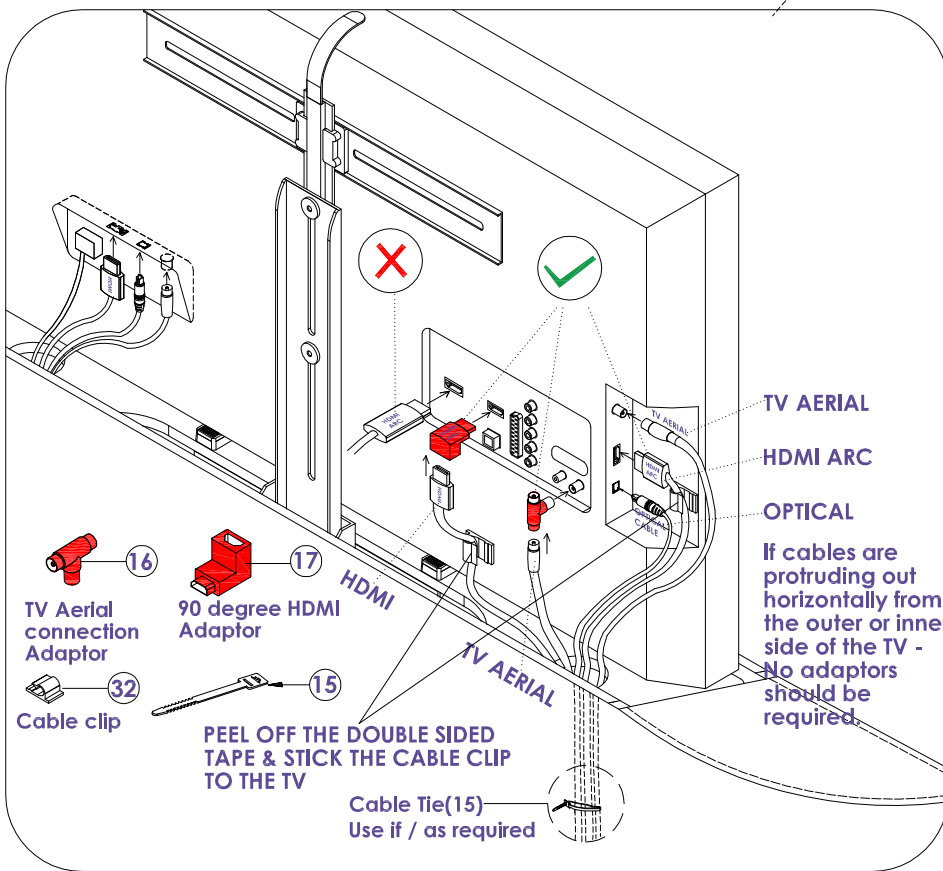
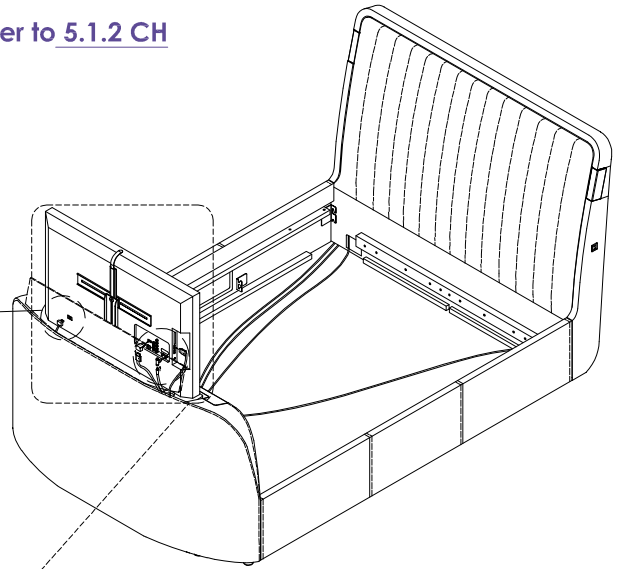
In the event you find the screws are too long for the TV with bracket please use Plastic collar (26) if required.

- Install all the cable connection to the TV.
- For more detail information "Connection" please refer to [5.1.2 CH DOLBY ATMOS user manual \(pages 8~9\)](#).

Note: For illustration purposes only, TV connections may vary.

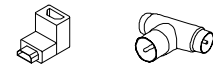


Note: For illustration purposes only, TV connections may vary.



Attention Please Note : Connecting Your HDMI ARC or Aerial Cable as shown in diagram (X) can seriously Damage Your TV sockets.

To reduce this possibility we have supplied 90 degree adaptors for both HDMI and Aerial connections.



This will reduce the cable protrusion and lessen the possibility of the cable colliding with the bed of frame.

These can be found in the bed frame hardware pack located in Box 2 (foot end). Please refer to the diagram above for the correct fitting of cables. More detailed information can also be found on page 21 (step 15) of your assembly instructions.

The manufacturer or retailer will not accept responsibility for any damages arising from incorrect installation.

NOTE

The TV HDMI CEC function enables the user to switch the sound bar and any connected HDMI devices to standby mode, with press of TV remote power button. The sound bar will then turn on automatically for ease of TV lift operation.

CAUTION

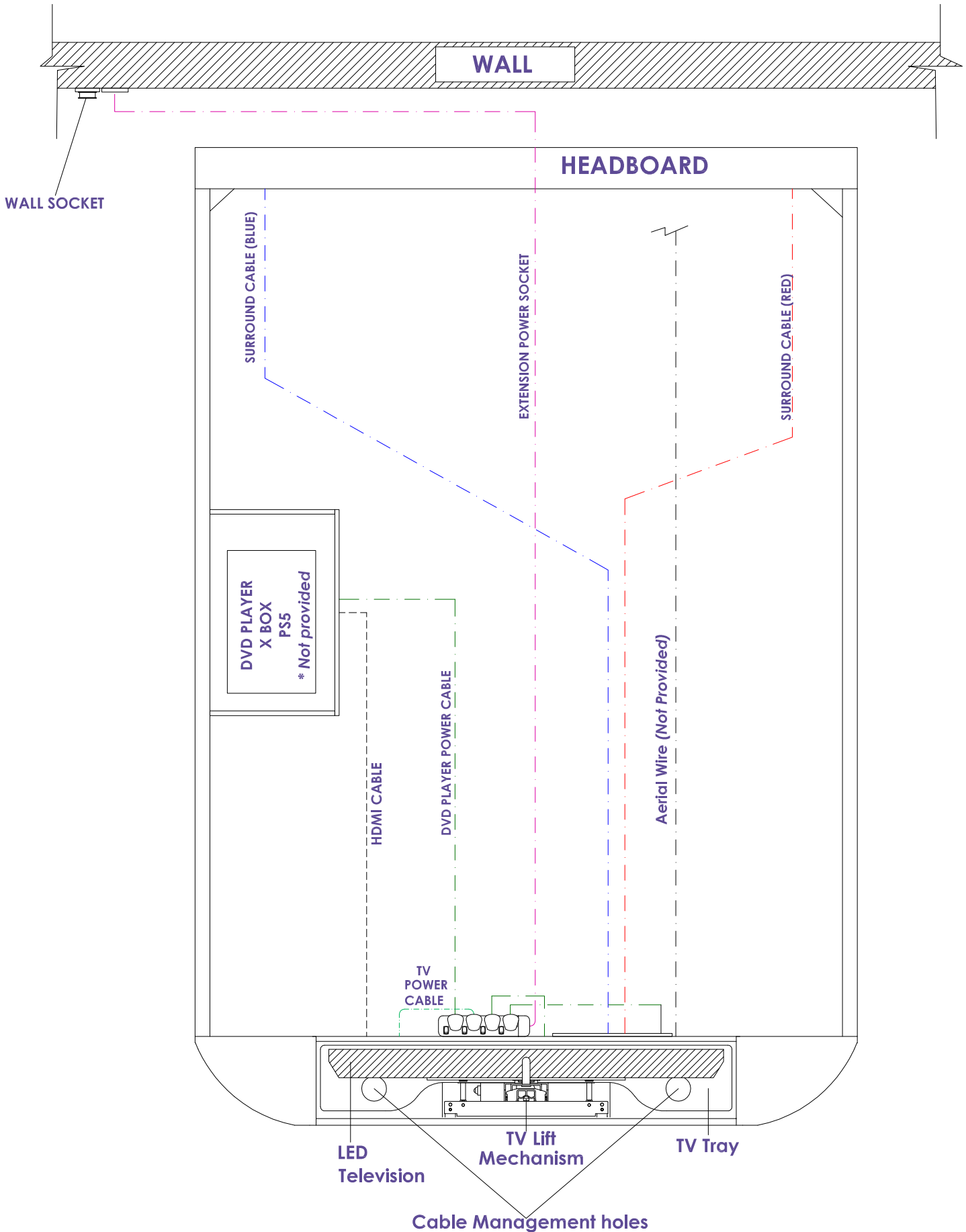
If you are using a USB storage device in the TV USB port. It may cause unexplained issues with the TV bed media system . Please unplug the USB storage device when not in use.

PLEASE NOTE.

If you are using TV's which are not listed as compatible in your user instructions, Unusual scenario's may arise with the CEC connection system on your tv.

NOTE: The cables port for television, DVD, TV aerial etc may not be the same as shown above and vary depending on TV model.

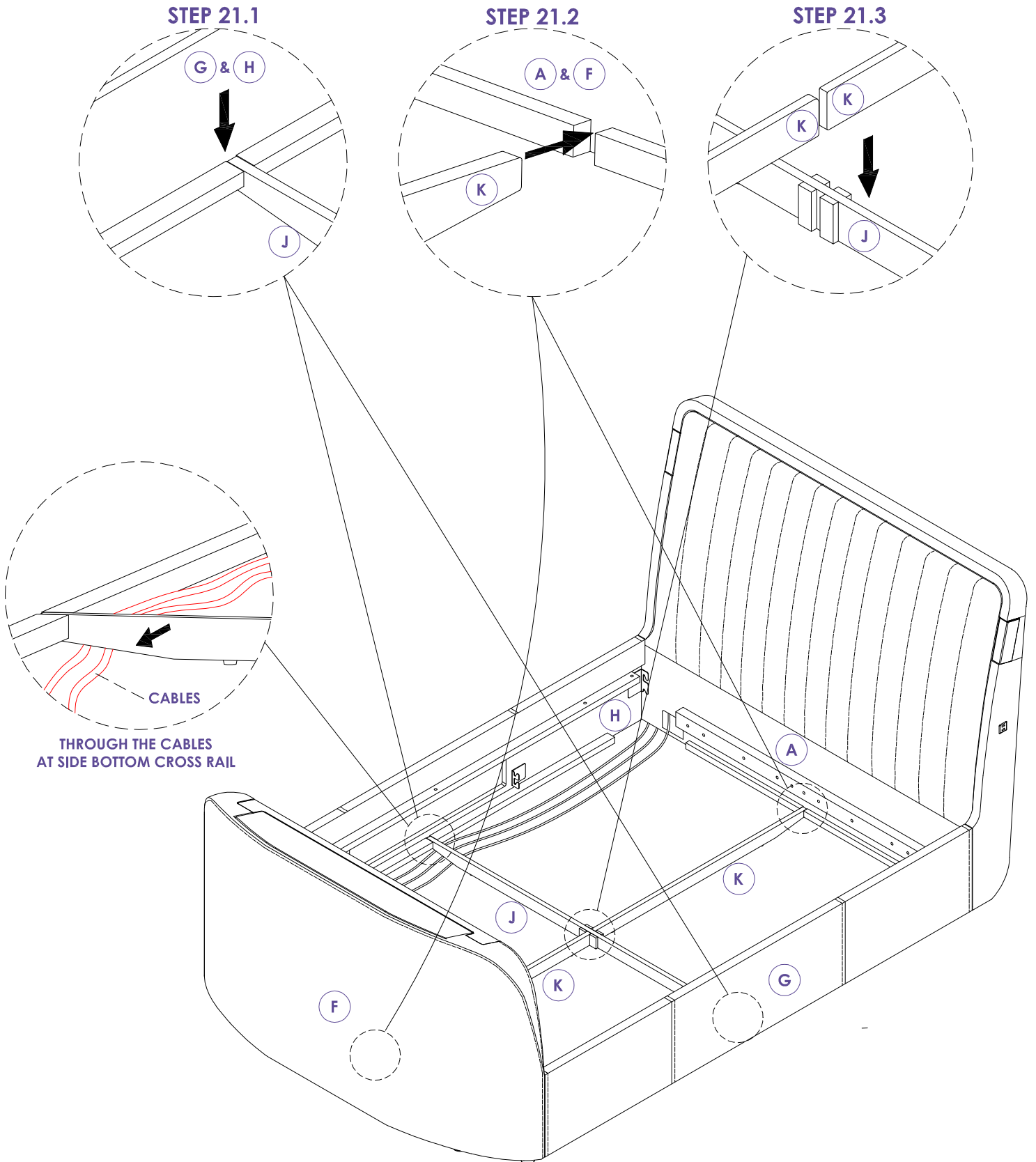
• Detail Wiring Connection Plan.



* The TV cable main supply can be put on either the left or right side depending on the TV port location.
DO NOT PASS ANY CABLES ACROSS THE BACK OF THE MECHANISM.

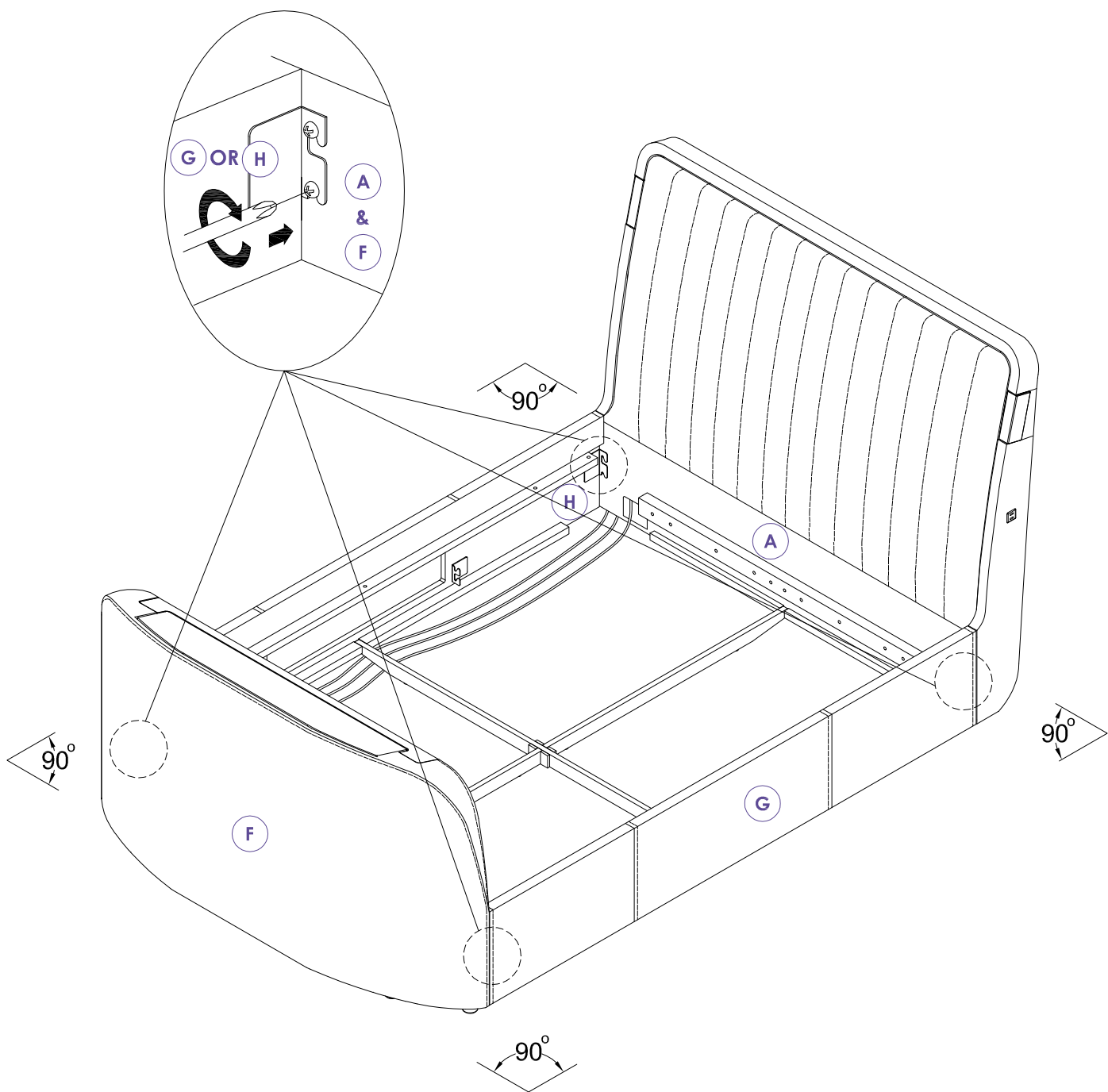
21

- Attach the bottom cross rail (long) (J) to the side rail (G) & (H) and the bottom cross rail (short) x 2pcs (K) to the headboard (A) & footboard (F) as shown (Step 21.1), (Step 21.2) & (Step 21.3).



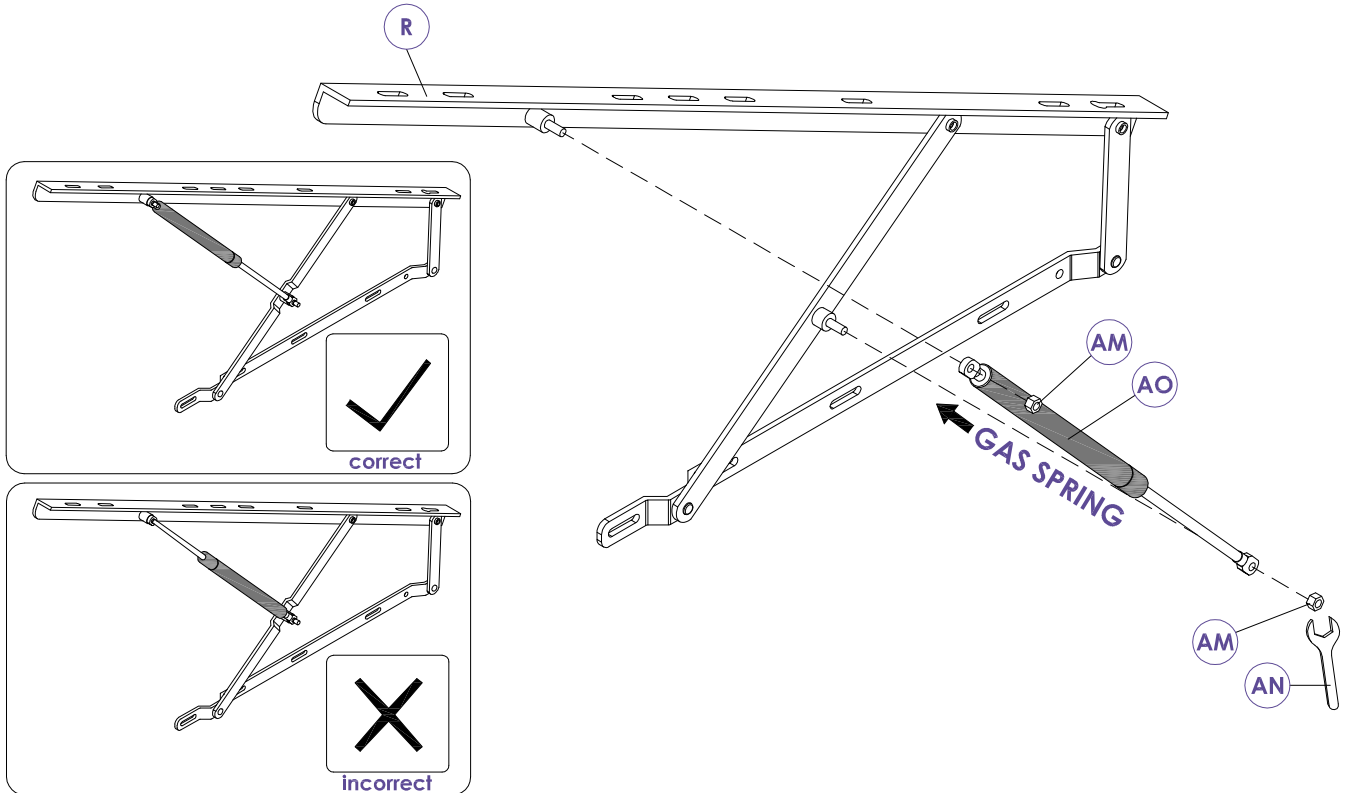
22

- Make sure the four bed frame interior angles are at 90°
- Tighten all the bolts in headboard, footboard and side rail as shown.

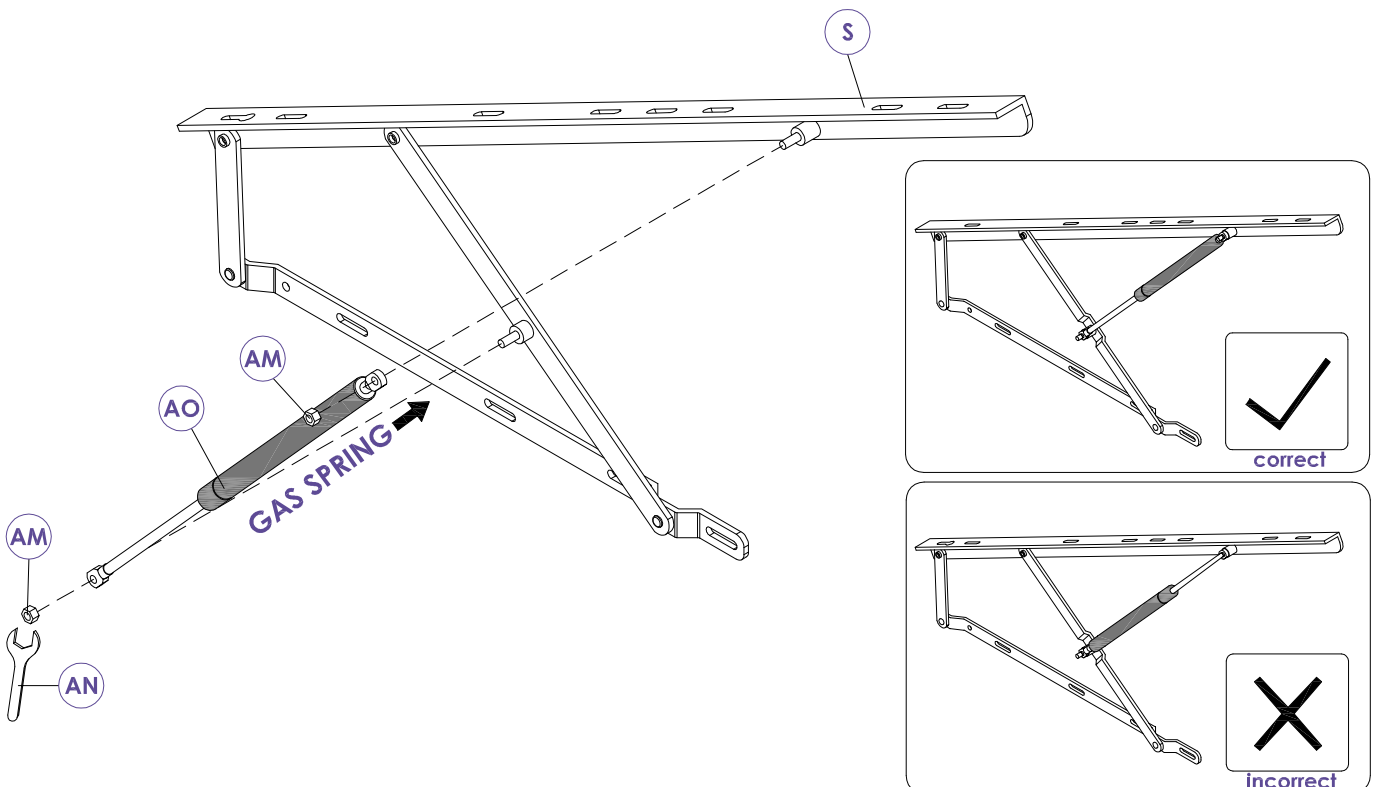


23

- Attach the gas springs 'AO' to the lift up mechanism with nut 'AM' using spanner 'AN' as shown.

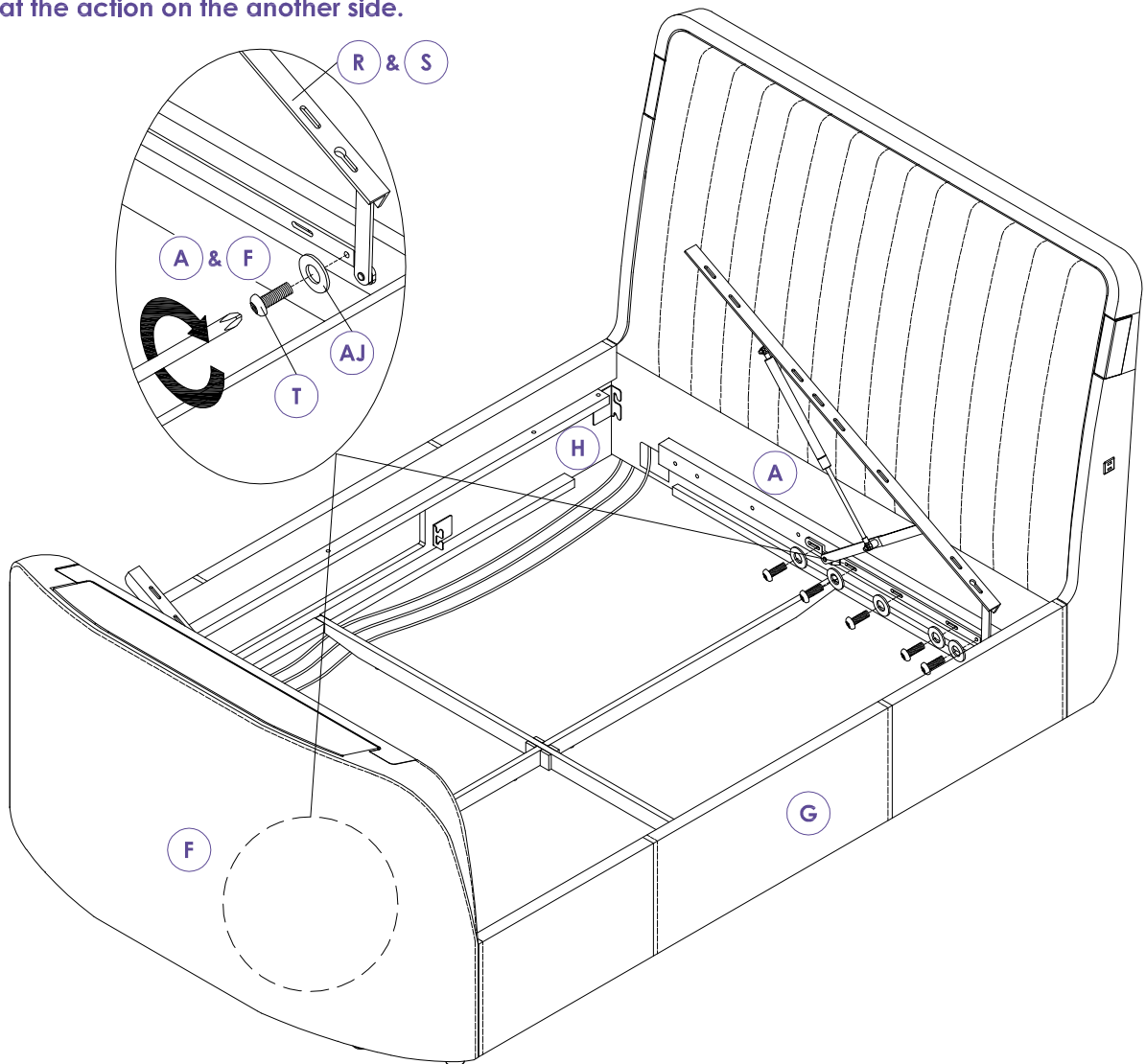


CAUTION- WHEN FITTING THIS LIFT UP MECHANISM TO FOOT-END OF THE BED FRAME. PLEASE TAKE NOTE AND CAUTION TO AVOID DAMAGING THE FOOT-END SPEAKER COVER!

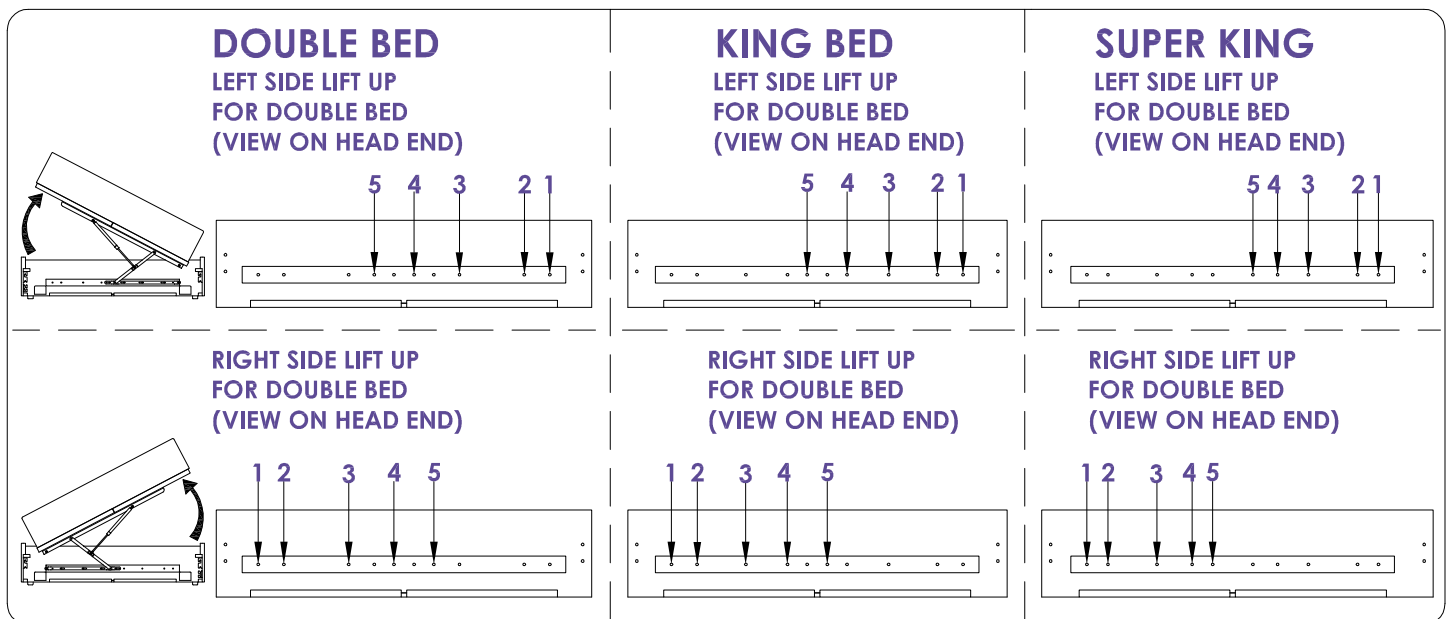


FULLY TIGHTEN ALL NUTS AFTER ATTACHING THE PISTONS.

- Before assembly please make sure the opening side is face on Compartment 'Part H' side rail.
- Attach the lift up mechanism to the head end and foot end with flat washers and bolts using screw driver provided.
- Repeat the action on the another side.

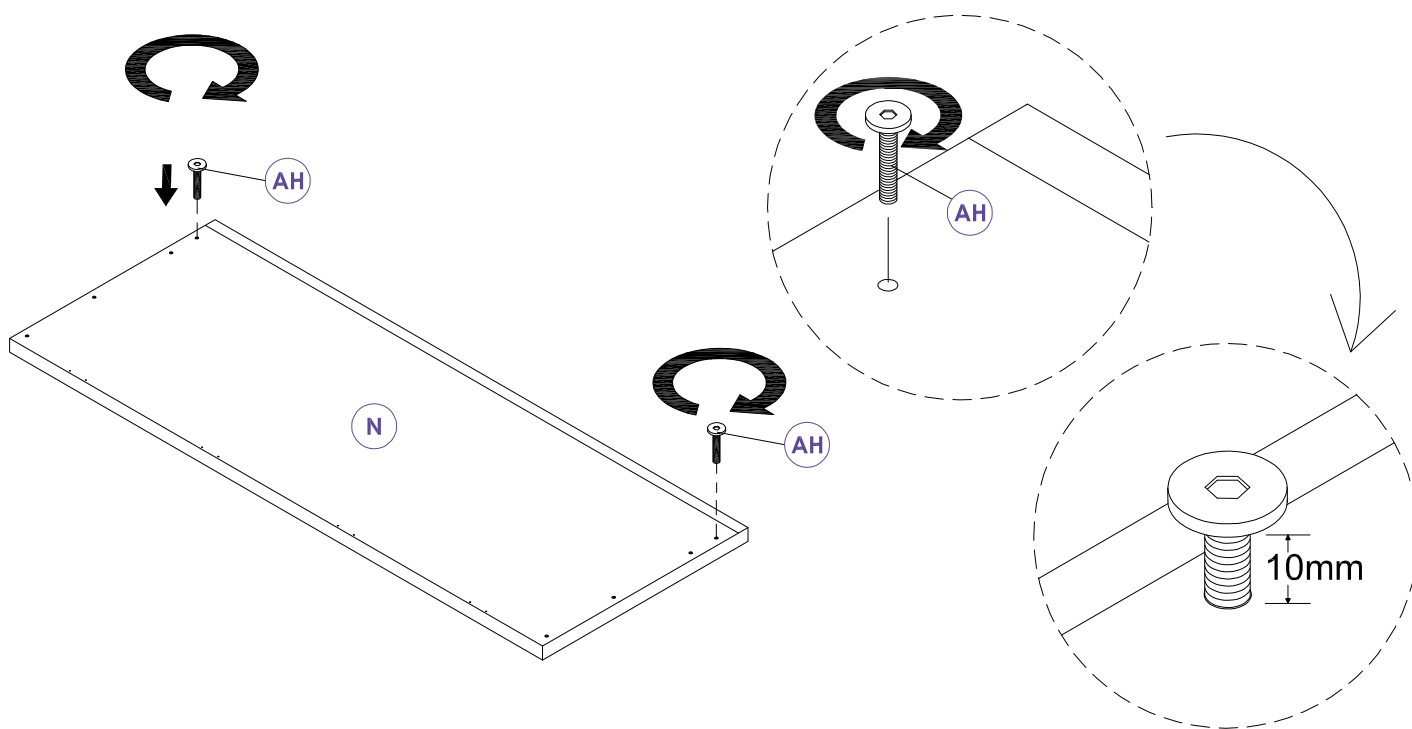


Holes Detail For Fixing Lift Up Mechanism



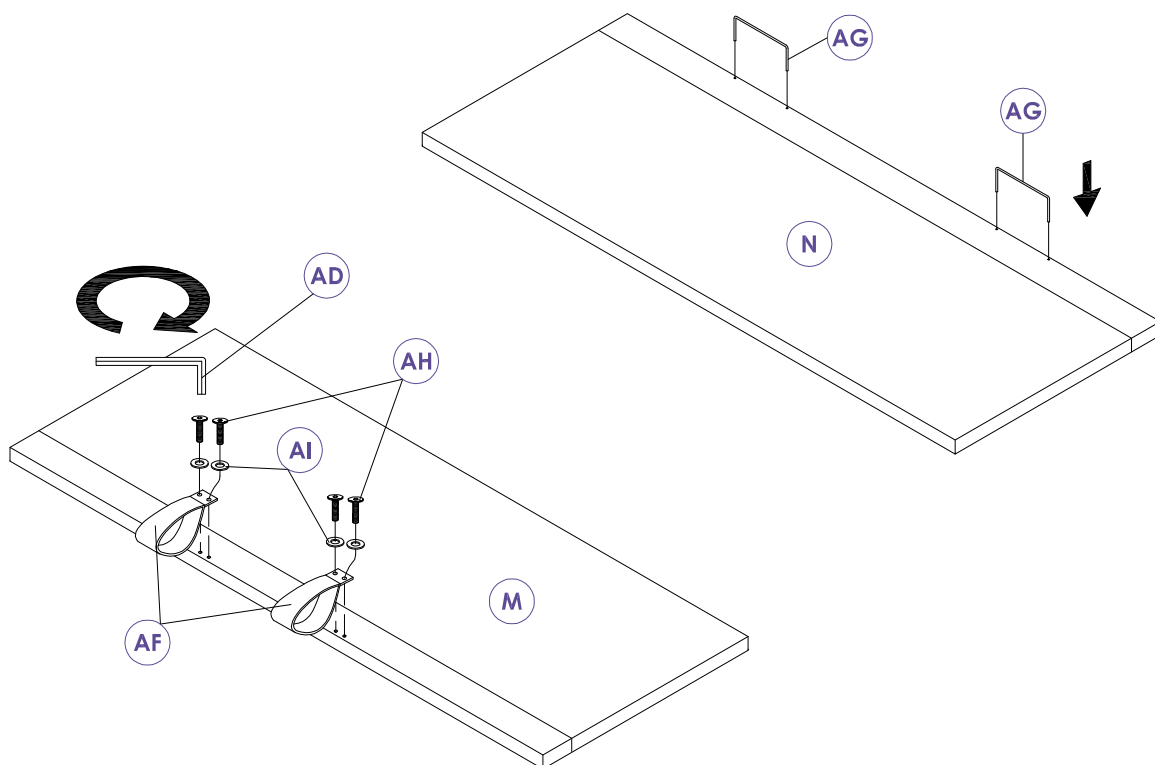
25

- Attach the bolts (AH) to the first hole under back lift base 'N', leave around 10mm the screw to attach at the lift mechanism 'R' & 'S' as shown.



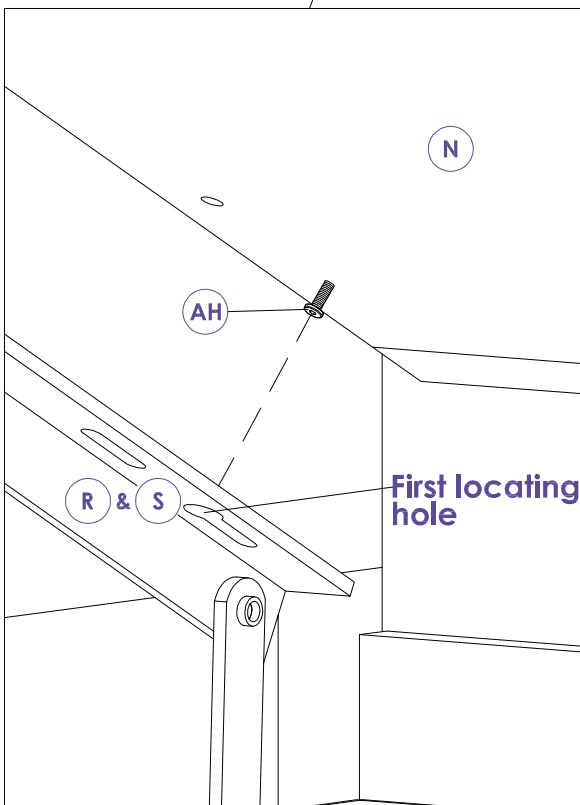
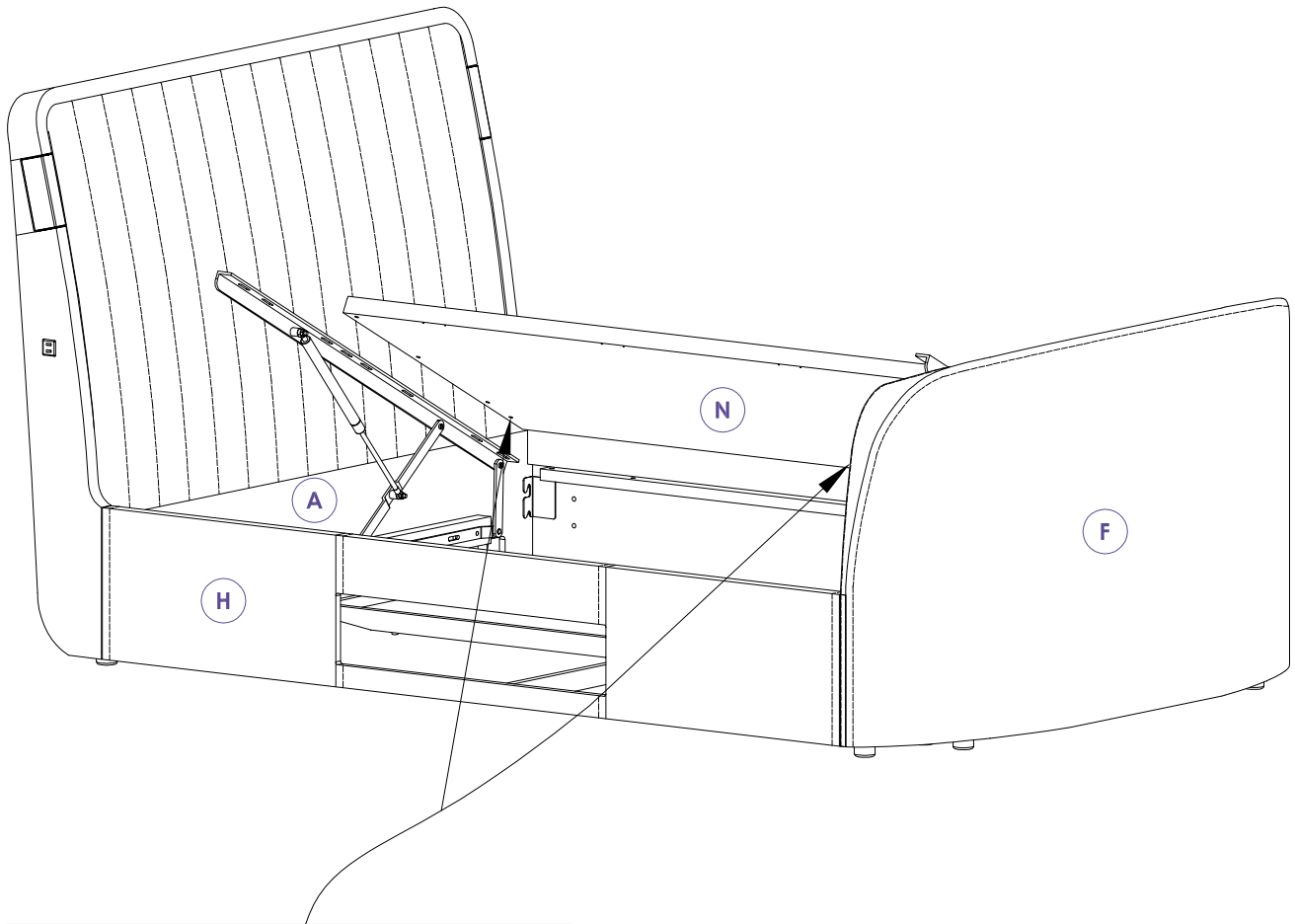
26

- Attach the strap handle 'AF' to the front lift base 'M' with flat washers 'AI' and bolts 'AH' using Allen key 'AD' provided.
- Attach the mattress support rail 'AG' to the back lift base 'N' as shown.

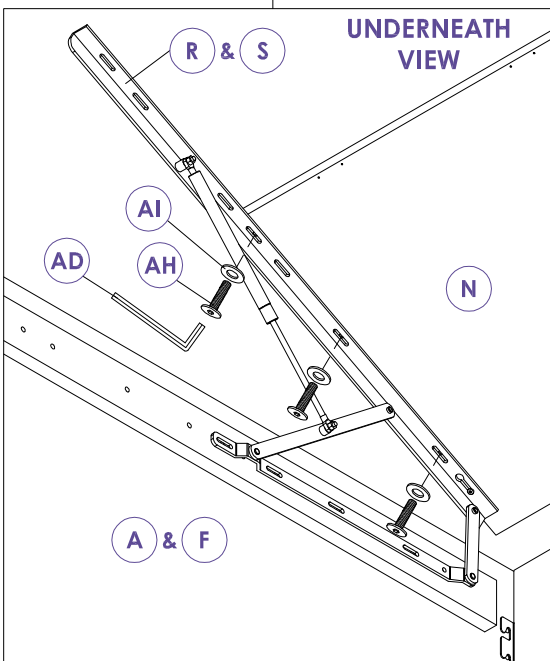
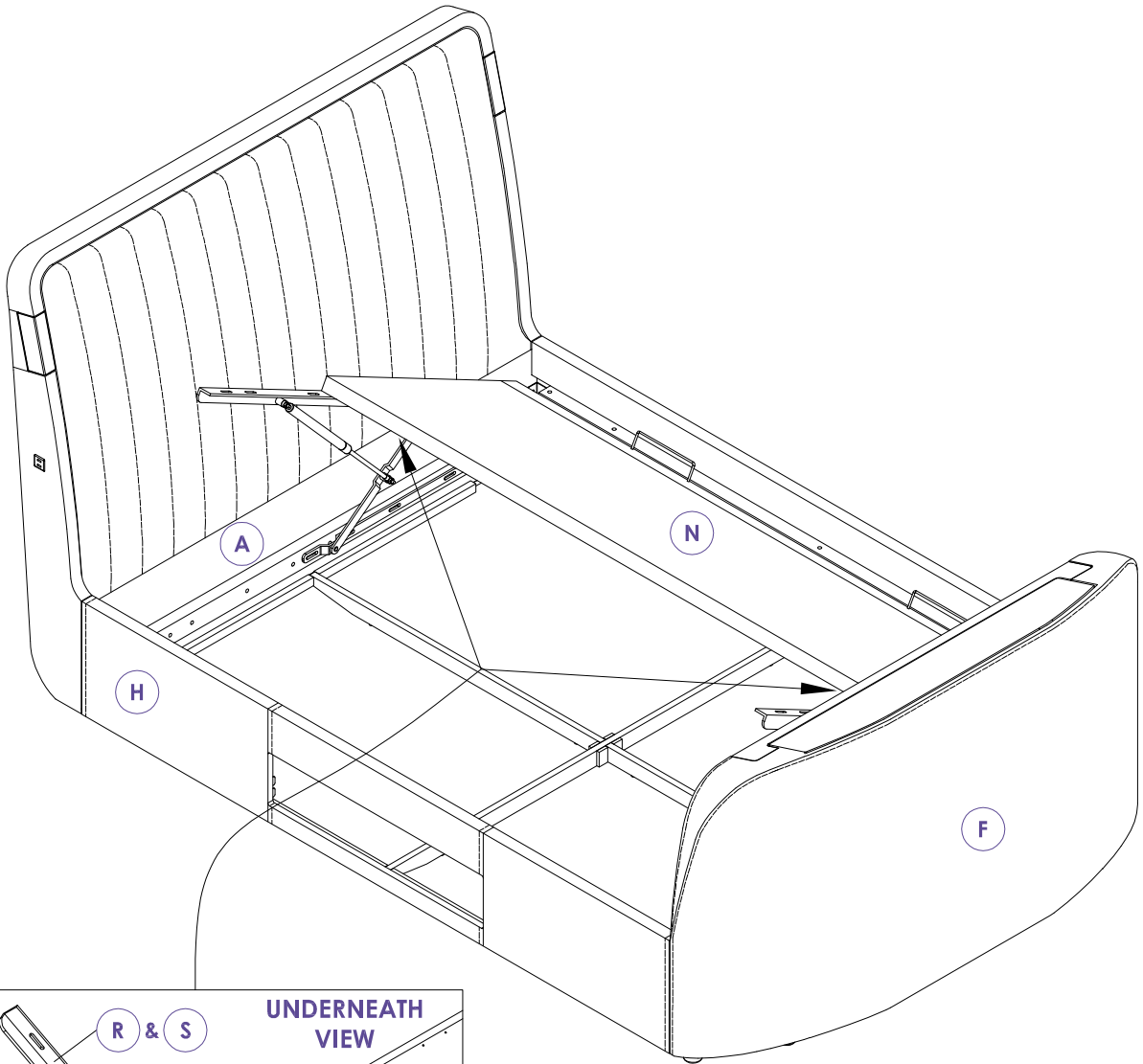


27

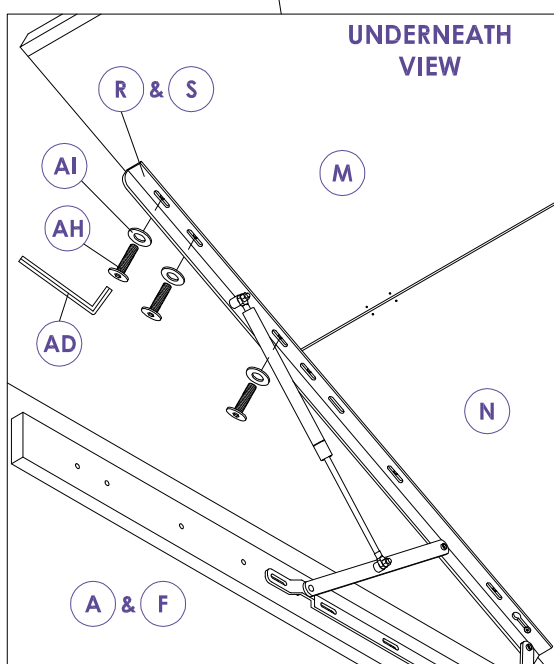
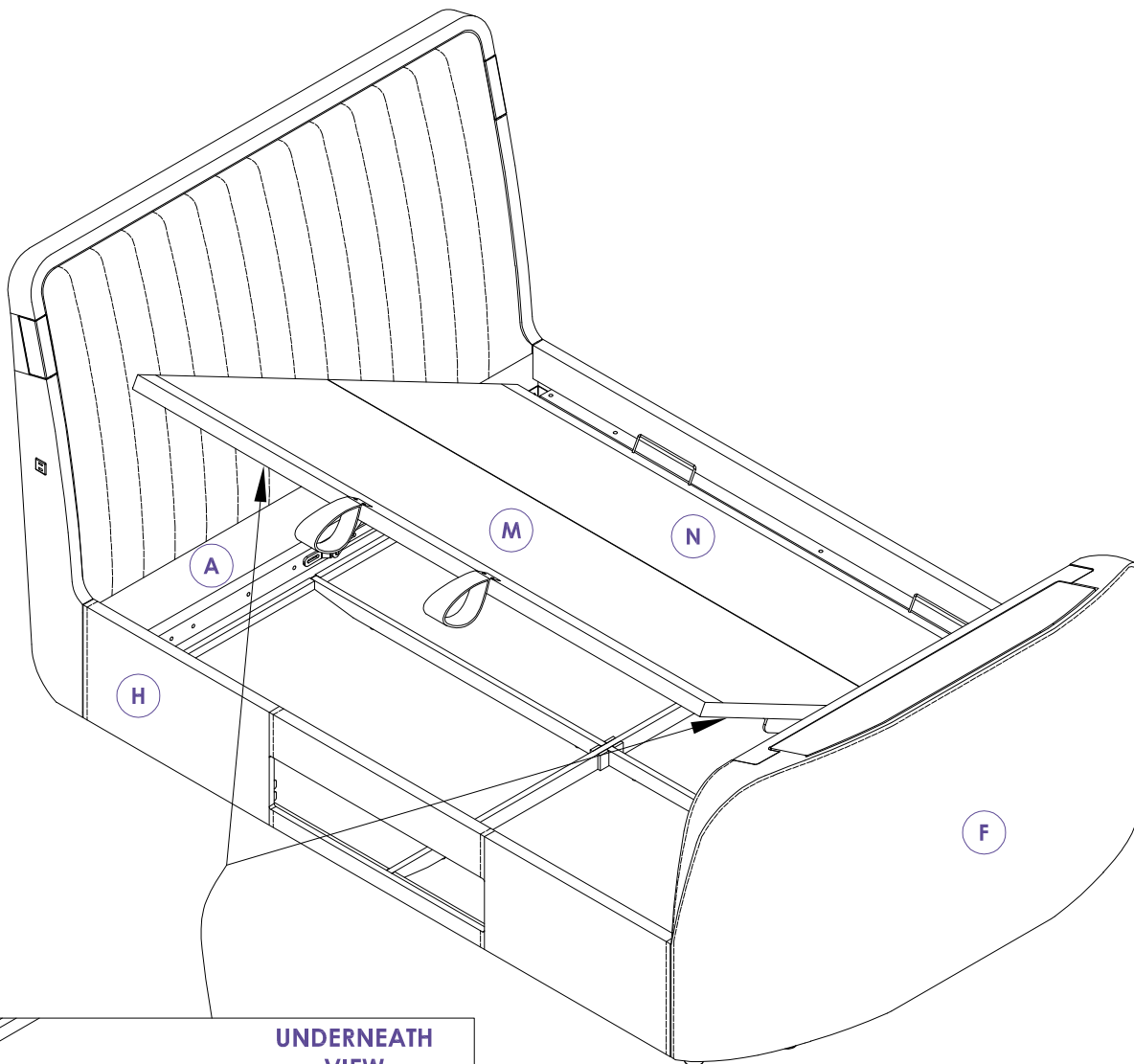
- First put the rear lift base 'N' on top of lift up mechanism 'R' and 'S' with the provided bolts (AH) as per step 25 to the first hole for safety and to prevent the lift base from dropping down.



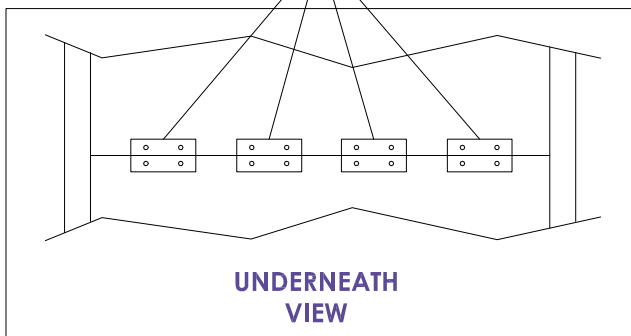
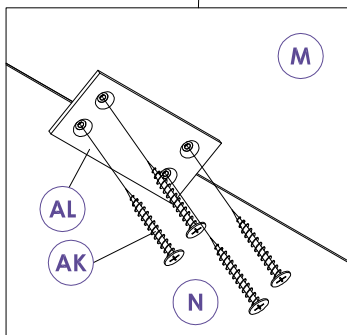
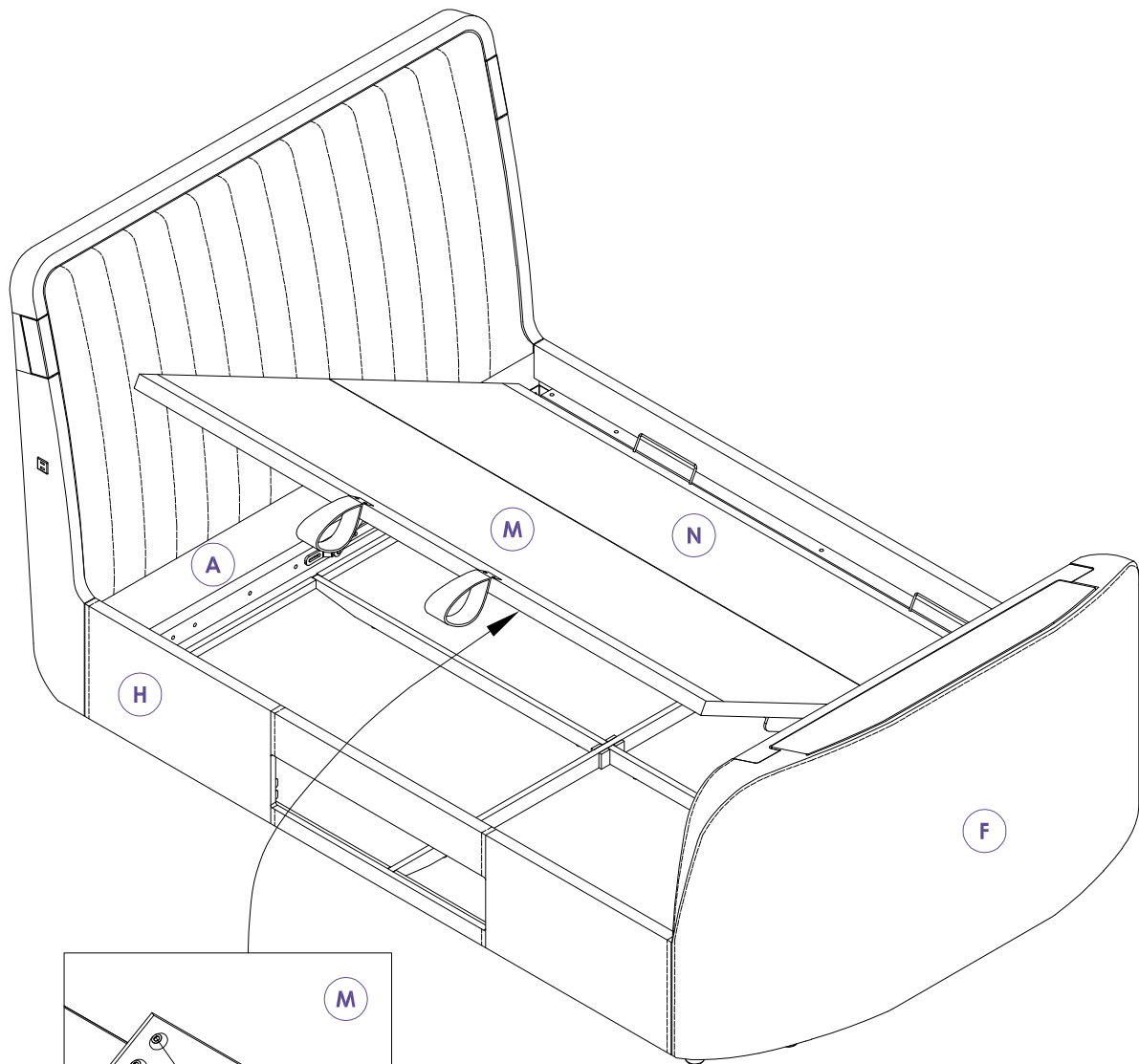
- Use the bolts (AH) and flat washers (AI) provided to fix the rear lift base 'N' with lift up mechanism 'R' and 'S' as shown.
- Do not tighten bolts (AH) at this stage, this allows you to align the two pieced lift base 'N' & 'M' for the next step.



- Put the front lift base 'M' on the top of lift up mechanism 'R' and 'S' then use the bolts (AH) and flat washers (AI) to fix the front lift base 'M' with lift up mechanism 'R' and 'S' as shown.
- Use Allen key (AD) fully tighten all the bolts (AH) as shown.



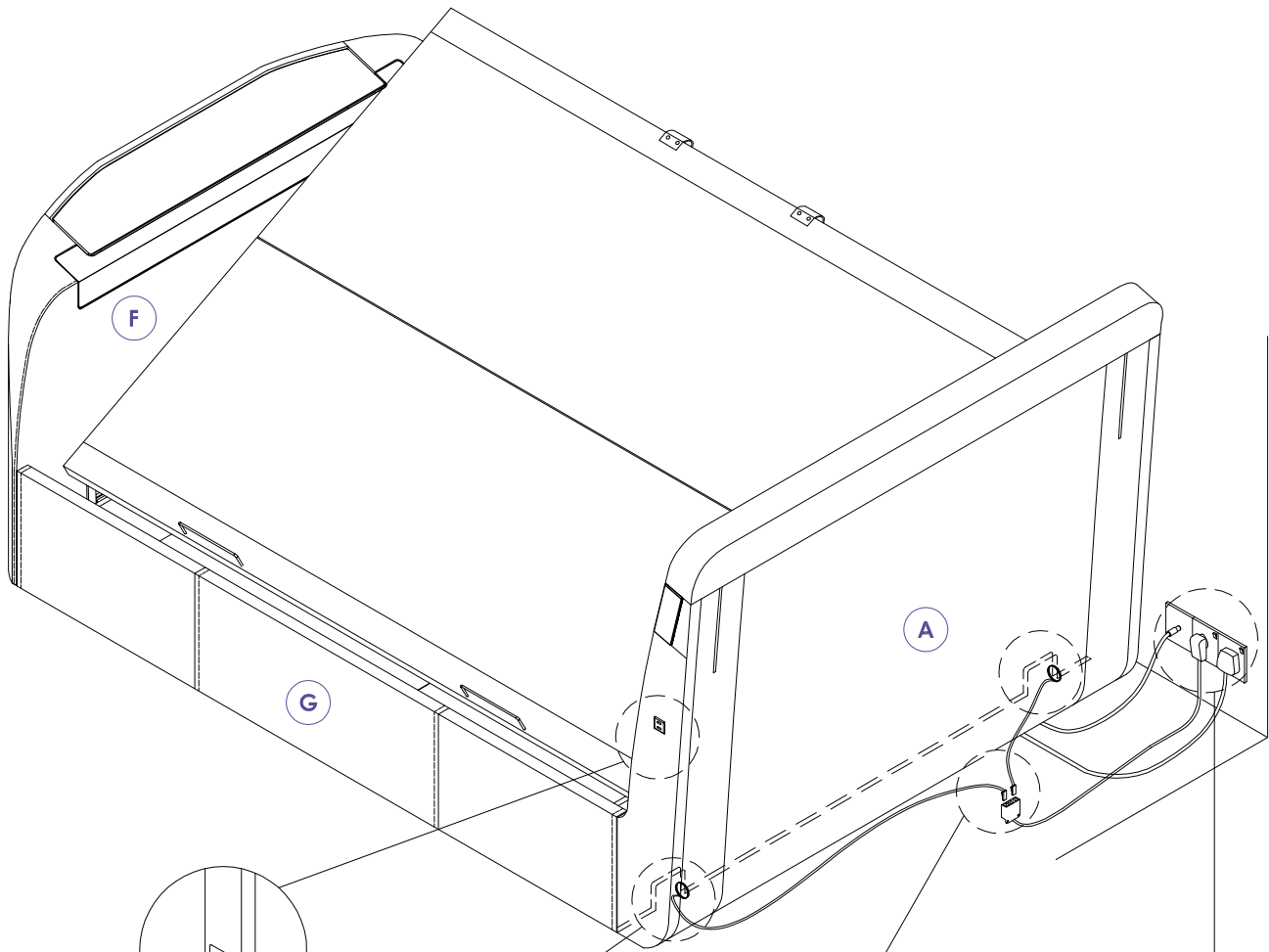
- Attach the metal plate (AL) to the underneath of lift base 'M' and 'N', fix with screw (AK) using screw driver (AE) provided as shown.



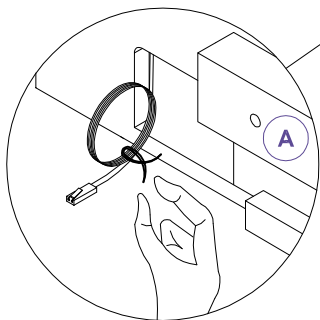
Power Adaptor Assembly

31

- Untie the USB male connector located in the head end cable holes.
- Insert all the connector to the 3 way AC adaptor (AC) as shown.

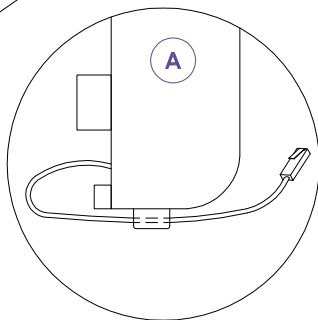


-USB Charger
*(TYPE-A FEMALE CONNECTOR)-
COMPATIBLE WITH CABLE USB
TYPE A PLUG



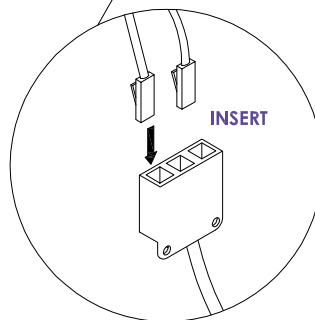
STEP 1

UNTIE THE USB MALE CONNECTOR



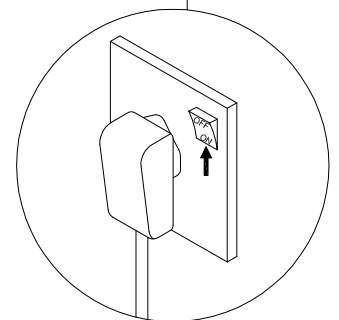
STEP 2

USB MALE CONNECTOR MUST
GO THROUGH FROM UNDERNEATH
OF HEADBOARD



STEP 3

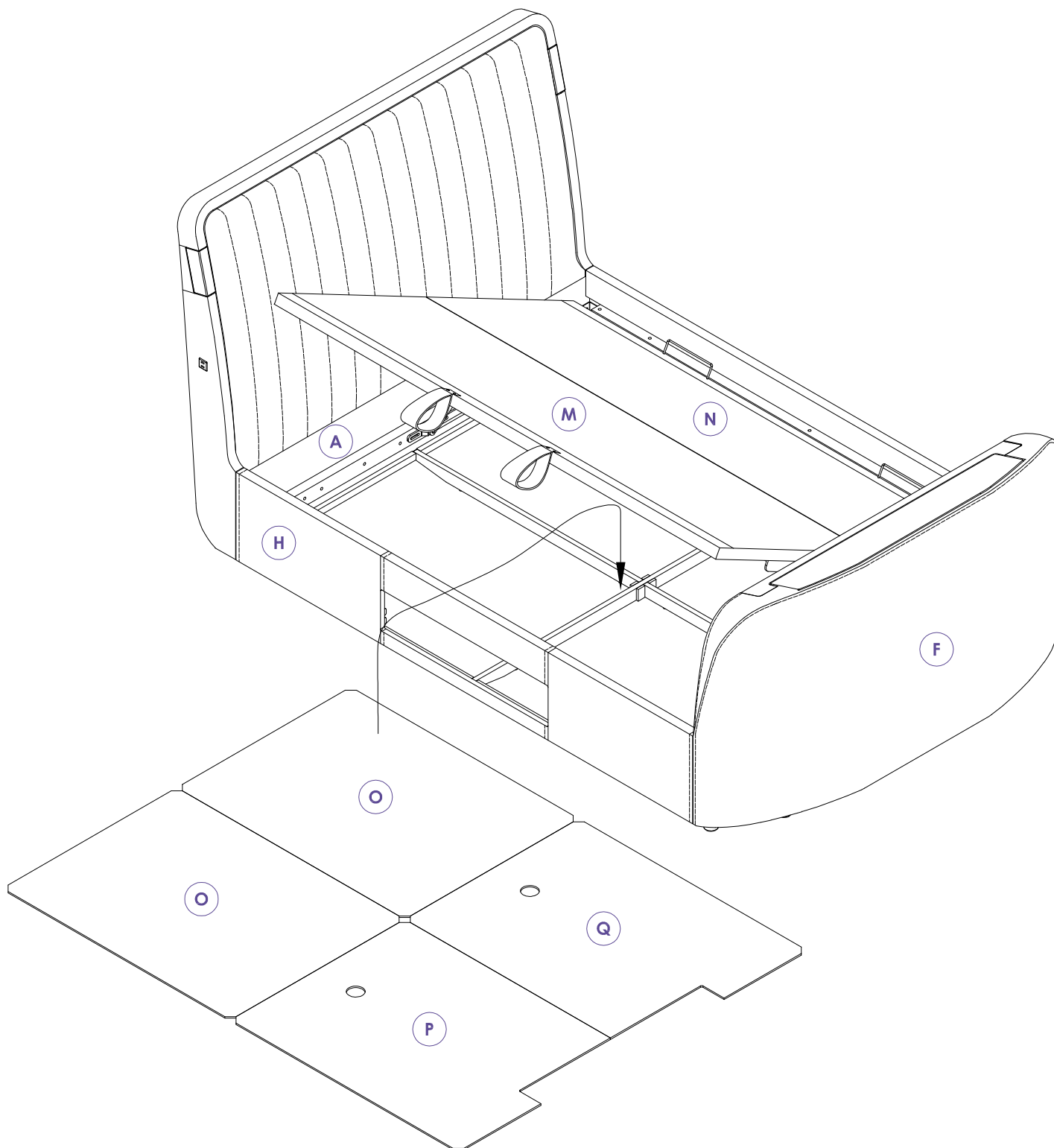
INSERT ALL THE MALE CONNECTOR
TO 3 WAY AC ADAPTOR.



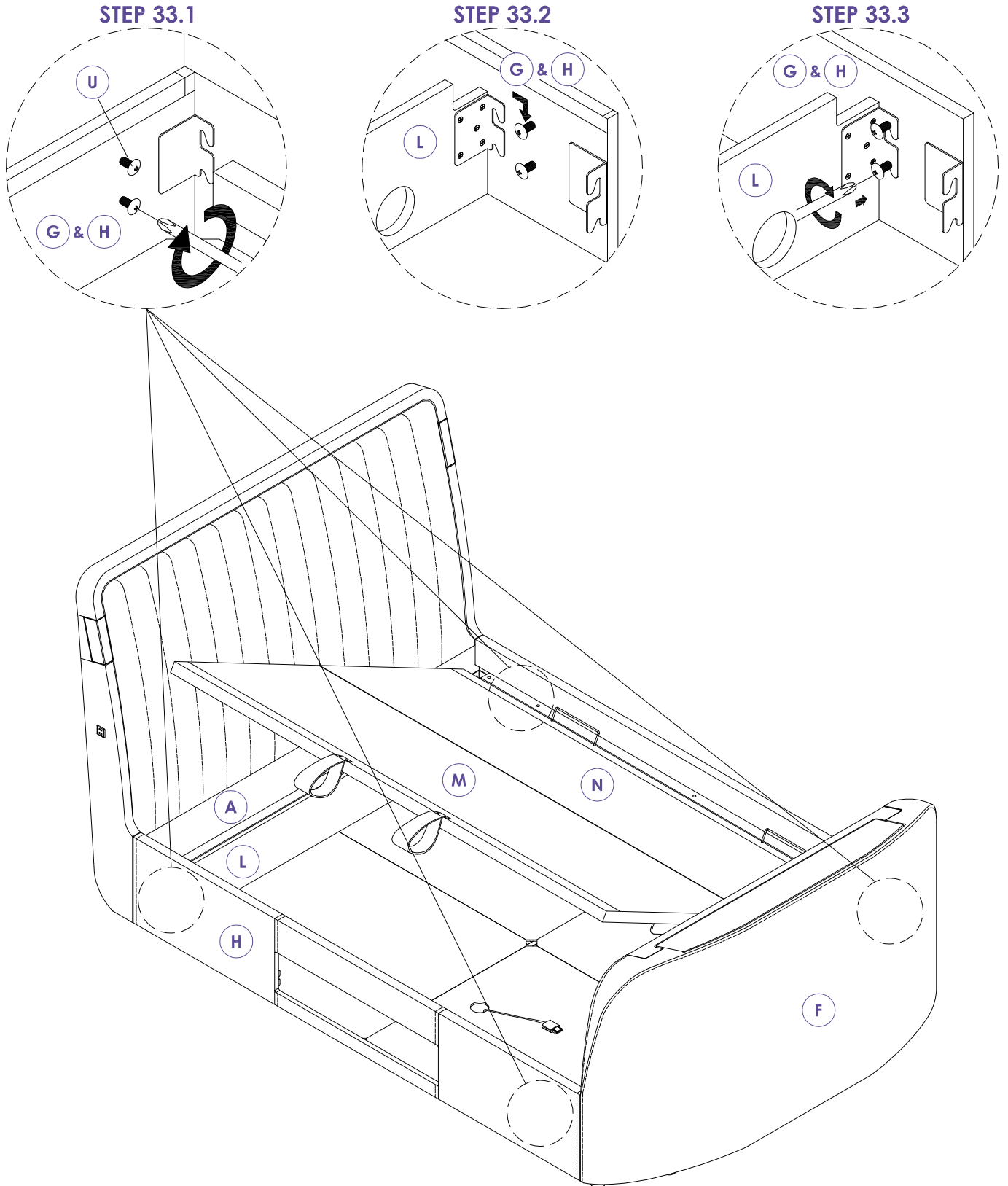
STEP 4

CONNECT THE 3 WAY AC
ADAPTOR PLUG TO THE MAIN
POWER.

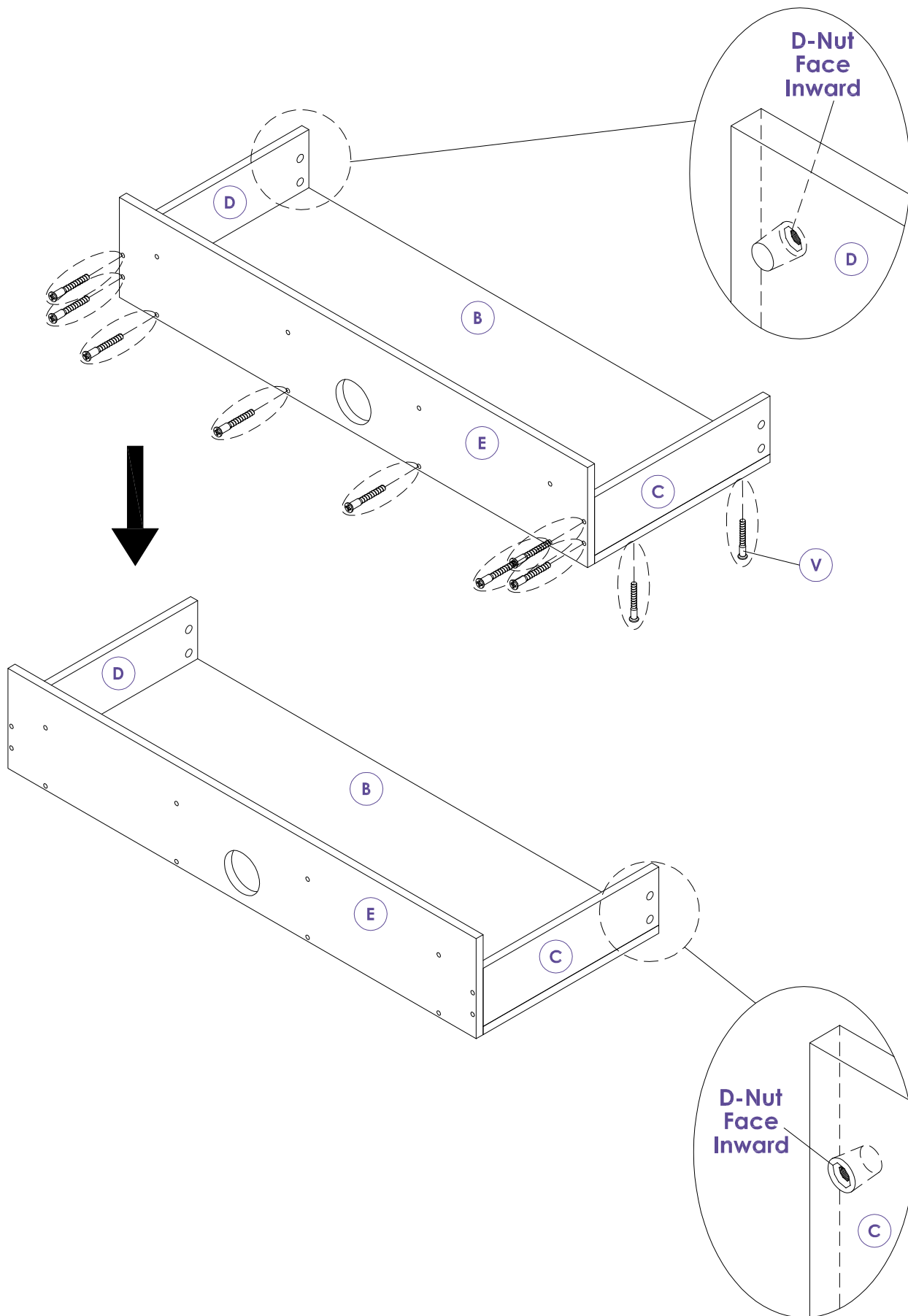
- Put the base panel on the bottom cross bar as shown.
- The base panel 'O' put near headboard, base panel 'P' & base panel 'Q' put near footboard.
- Make sure all the cables are place under the base panel.



- Attach the bolts (U) to the side rail as shown. (Note: only attach the bolts Do NOT tighten them.)
- Hook the centre rail 'L' over the bolts (U) as shown.
- Repeat the action on the opposite side.
- Tighten the centre rail 'L'.

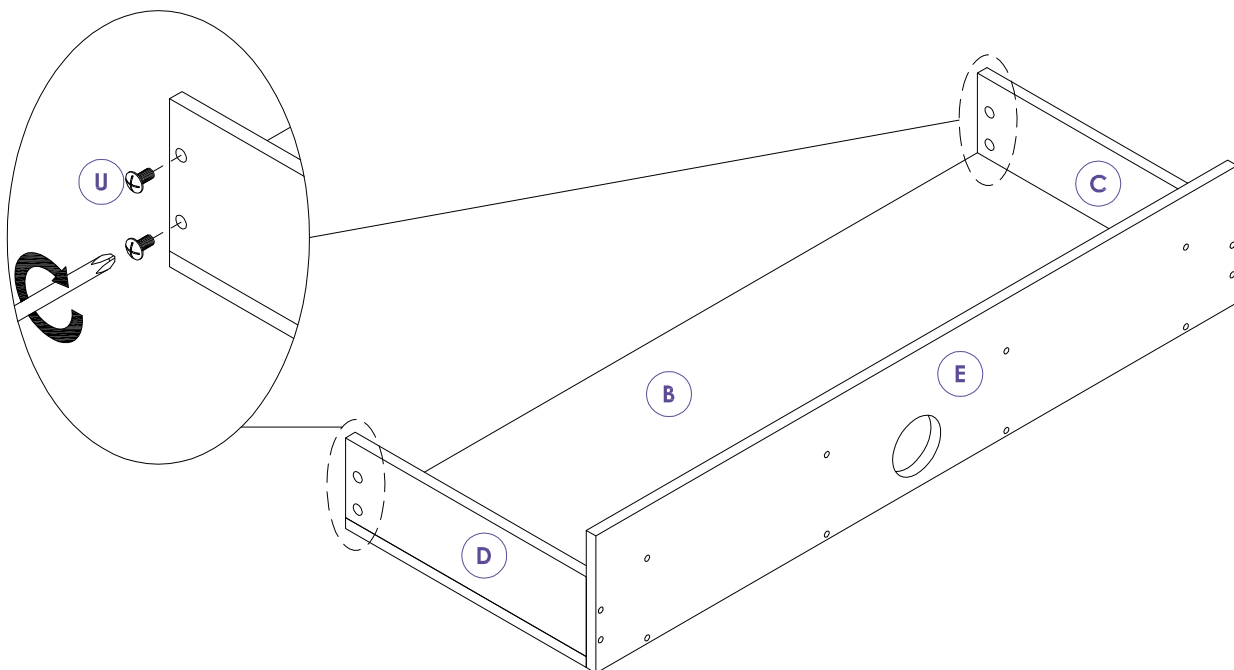


- Attach "Media Compartment" rear and side panels to "Media Compartment" base panel as shown.



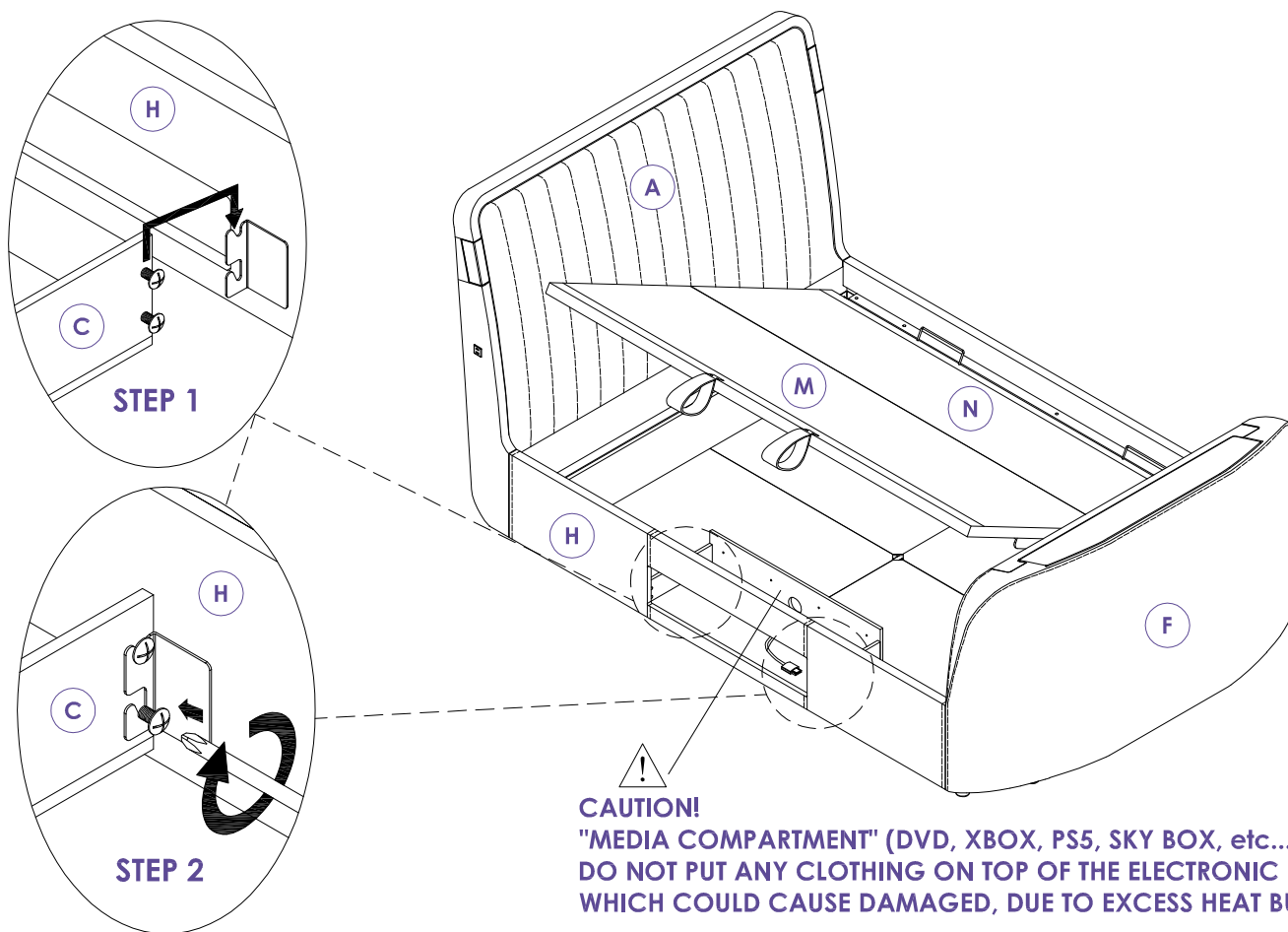
35

- Attach the bolts to both side of "Media Compartment" side panels as shown.

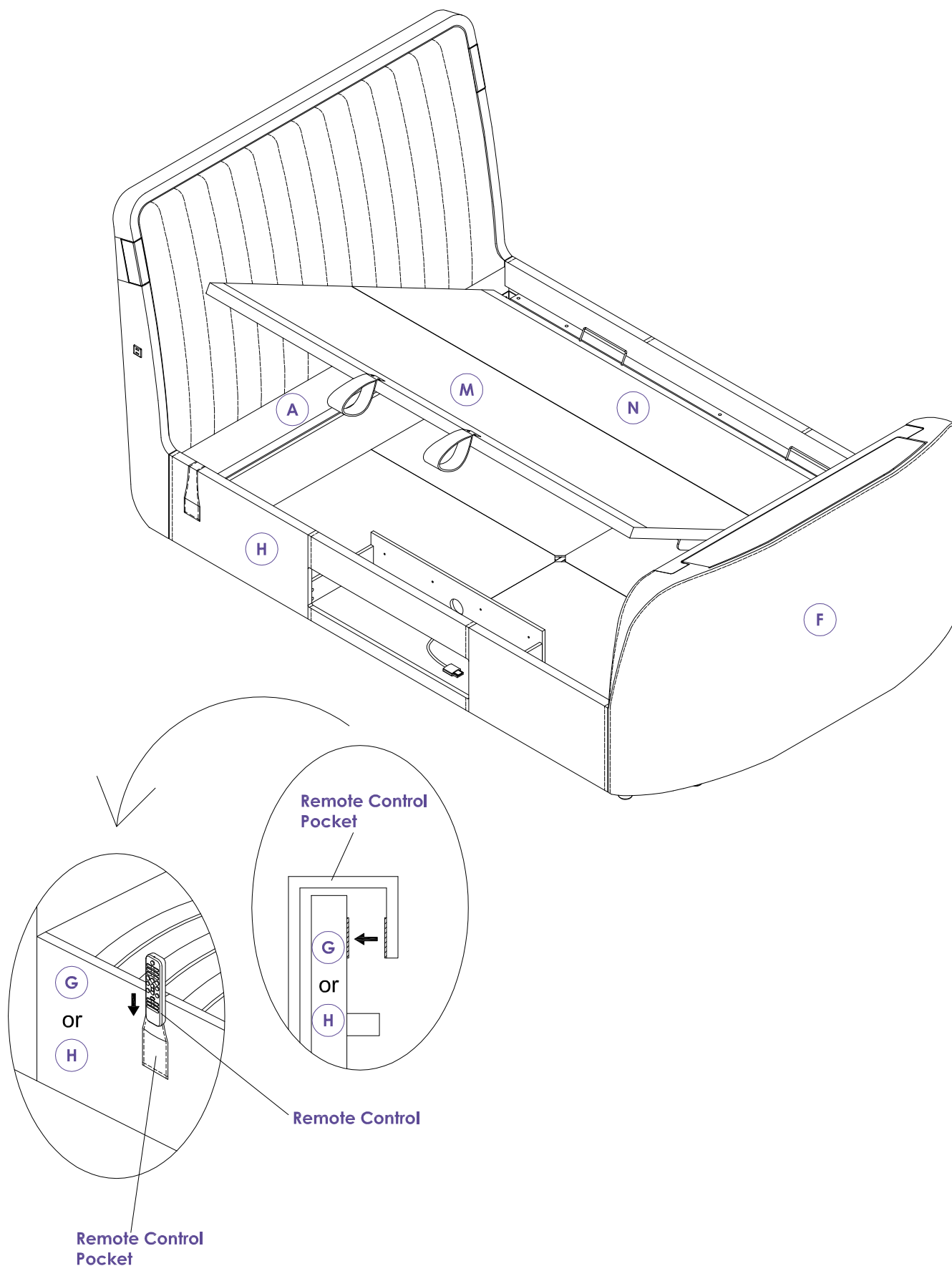


36

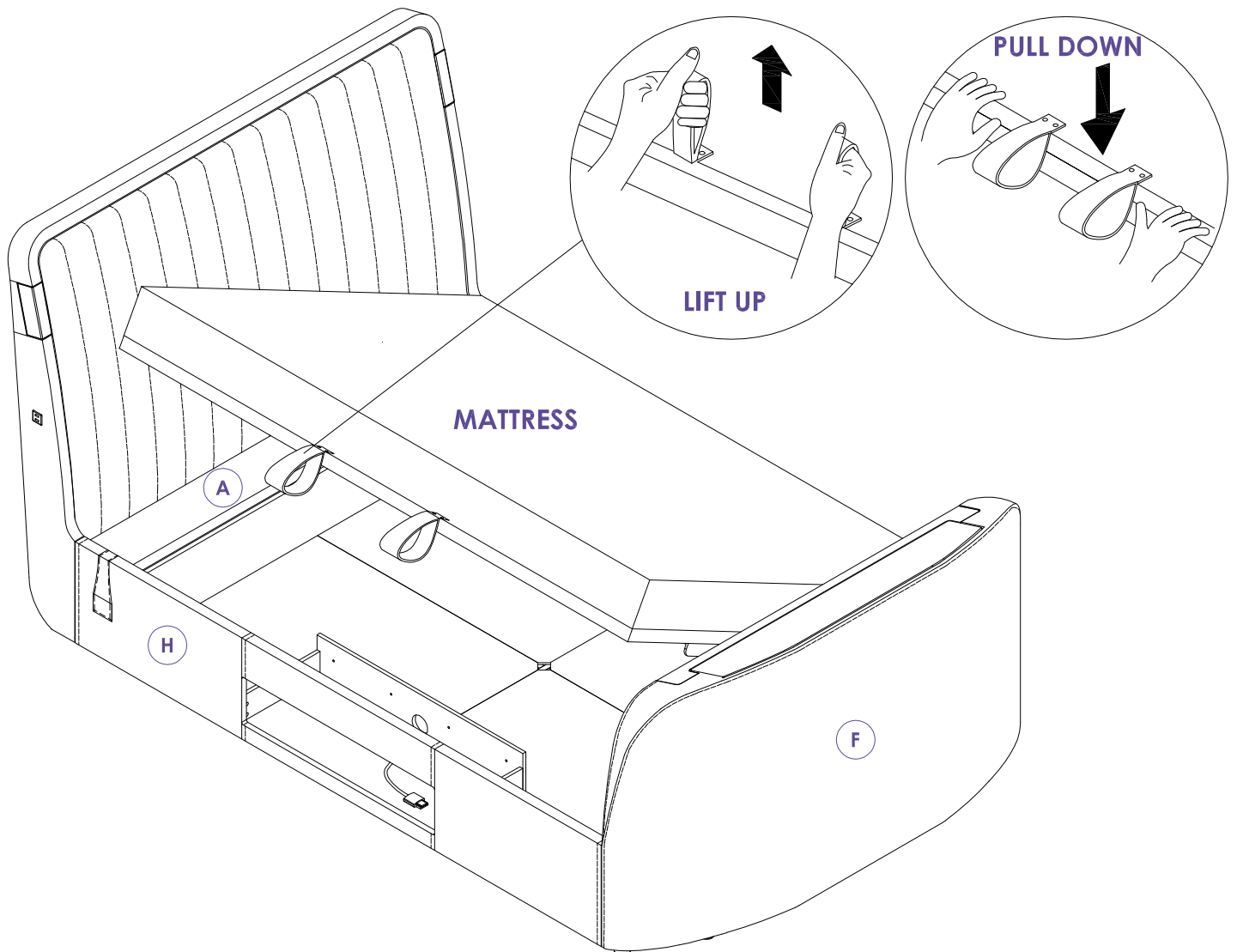
- Attach the bolts to both side of "Media Compartment" side panels as shown.



- Attach remote control pocket to side rail.



- Make sure the bed all side is square before you closing the lift base.
- The mattress must be fitted to the base.
- Do not operate the lift up mechanism without the mattress fitted to the base.

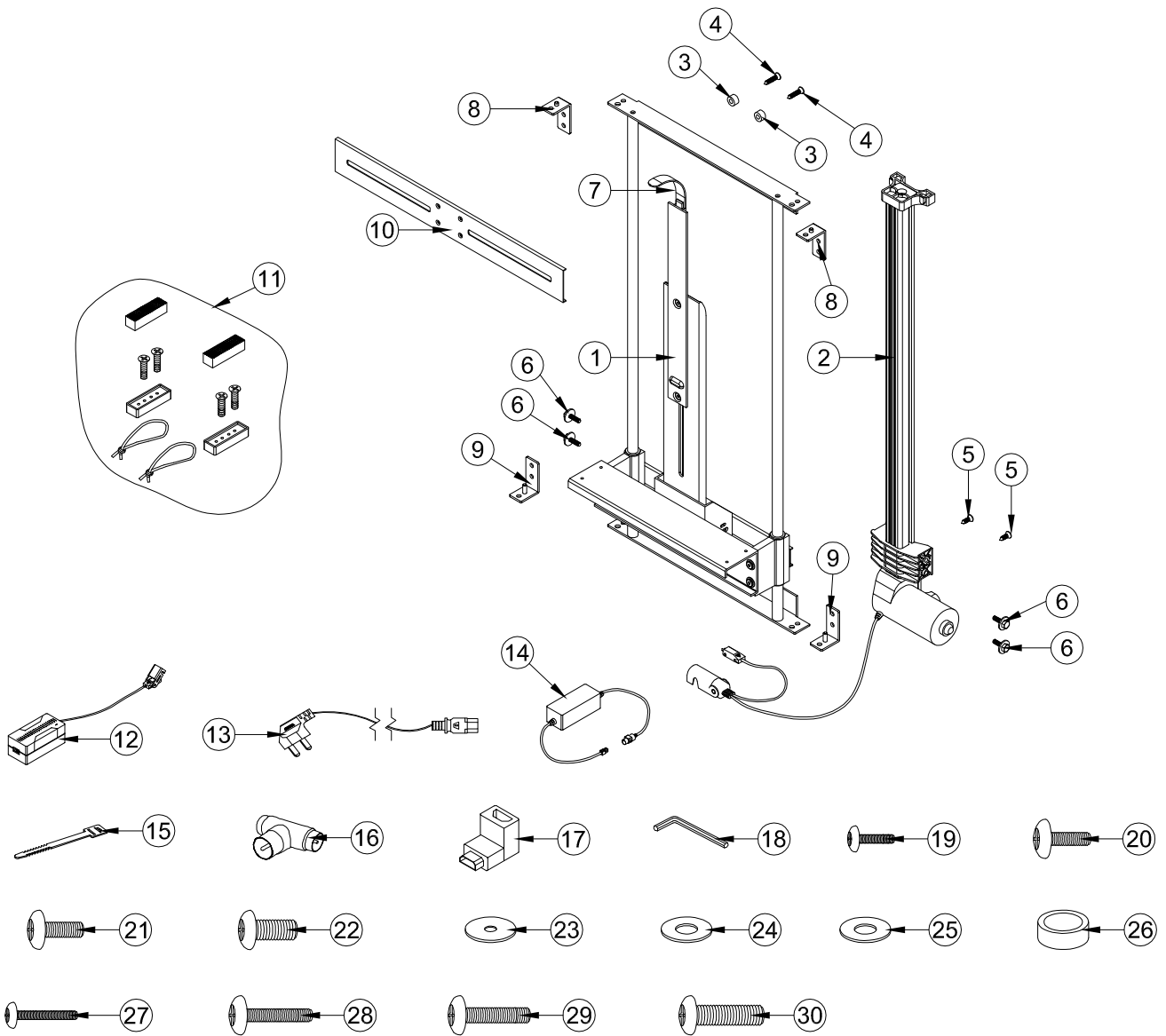


- A. This Lift Mechanism provides assistance with the lift of the mattress fitted to the base - it does not lift the mattress for you. The system has been designed to effectively lift the base system fitted with a variety of mattress weights and combinations of depth. The combination of mattress weight and depth determines the degree of assistance provided by the mechanism.
- B. Following installation of the mechanism lift / pull the base up and down a few times to free off the system - the gas cylinders fitted to the system may be stiff when first used or if the system has not been operated for a period of time. The mattress must be fitted to the base.
- C. Use the strap handle to lift up the mattress base using two hands - Pull the mattress base down using two hands equally spaced from the centre of the mattress base. DO NOT pull down on one side of the base only as this likely to damage the base system with potential failure of the mattress base system and lift mechanism. Do not operate the lift up mechanism without mattress fitted to the base.

CAUTION :

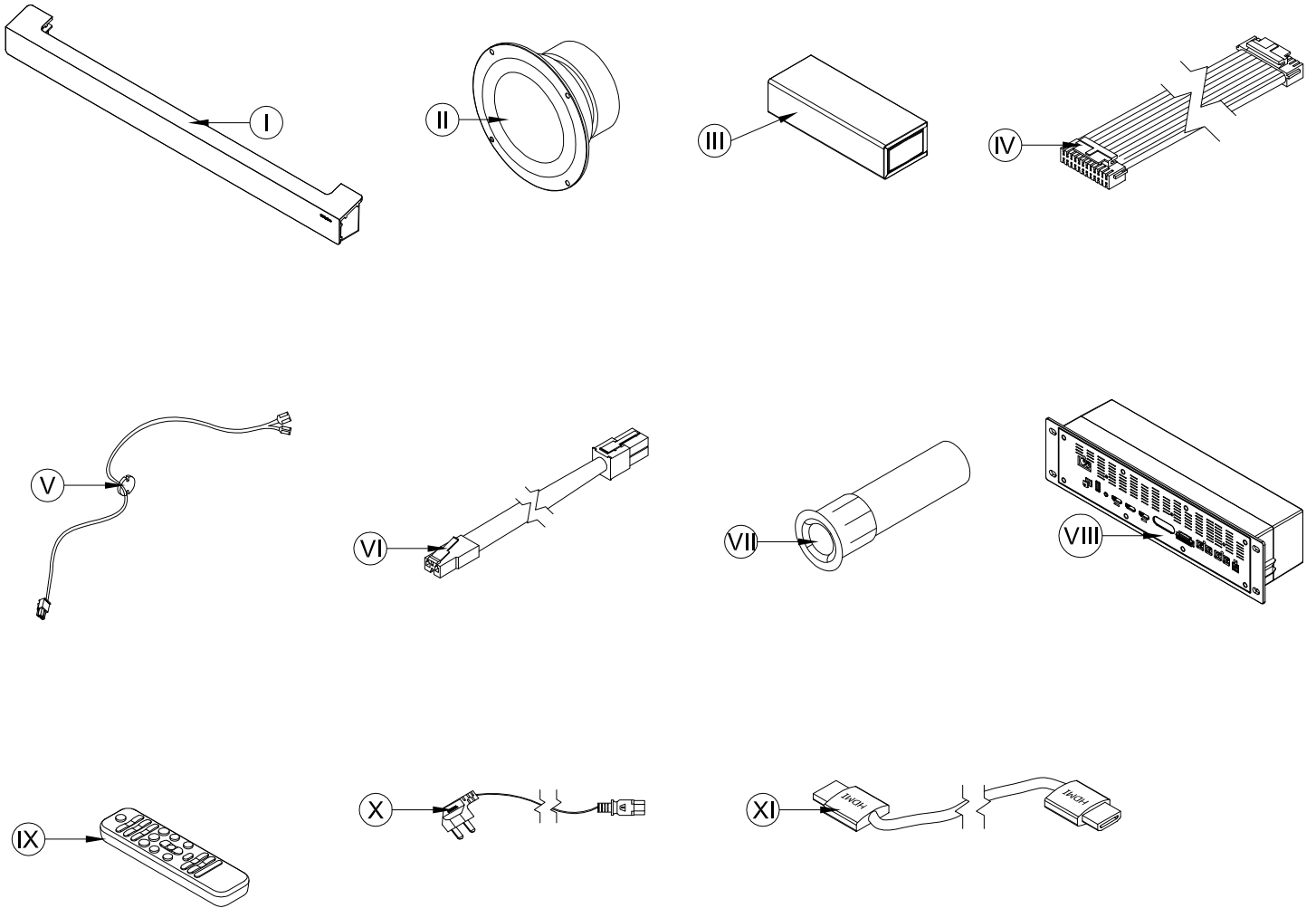
- Do not allow children to operate the lift Mechanism.
- Do not allow children near the lift base when operating the Mechanism.
- Do not allow children in the area of the internal storage base.
- Keep hands clear of the mechanism when operating the base system.
- Do not stand inside the bed / on the internal storage base.
- Do not overload the internal storage base.

G4 TV LIFT MECHANISM- OPTI-SERVE SPARE PARTS LIST



ITEM NO.	PART DESCRIPTION	IV CODES
1	Main TV-lift up mechanism (pre-assemble)	
2	TV-linear actuator G4 (pre-fixed)	IV 001282
3	Actuator mounting top spacer (2pcs) (pre-fixed)	
4	Cross recessed countersunk flat head wood screw- Top mounting M6 x 30mm (2pcs) (pre-fixed)	
5	Cross recessed countersunk flat head wood screw- Top mounting M6 x 20mm (2pcs) (pre-fixed)	
6	Actuator mounting bolt- screw M6 x 20mm (4pcs) (pre-fixed)	
7	Gooseneck (pre-fixed)	IV 001289
8	Top hanging bracket (2pcs) (pre-fixed)	IV 001636
9	Bottom hanging bracket (2pcs) (pre-fixed)	
10	TV- flat bracket (Vesa Bracket) (pre-fixed)	IV 001290
11	TV block (2pcs), screw M4 x 35mm (4pcs), block rubber cover (2pcs), cable management bungee cable (2pcs) (pre-fixed)	IV 001635
12	AC-DC Adaptor 29-2A (1pc)	IV 001291
13	TV-lift up mechanism AC/ power-cable power plug UK (1pc)	IV 001295
14	Control Box KDDY 083A-1K1-KD (1pc)	IV 000061
15	Cable clip (2pcs)-use to fix wire	
16	Aerial connection (1pc)	
17	90 degree HDMI adaptor (1pc)	
18	Allen key (M4) (1pc)	
19	Pan head screw M4 x 20mm (2pcs)	
20	Pan head screw M5 x 20mm (2pcs)	
21	Pan head screw M6 x 20mm (2pcs)	
22	Pan head screw M8 x 20mm (2pcs)	IV 001634
23	M5 washer (2pcs)	
24	M6 washer (2pcs)	
25	M8 washer (2pcs)	
26	Plastic collar (6pcs)	
27	Pan head screw M4 x 40mm (2pcs)	
28	Pan head screw M5 x 40mm (2pcs)	
29	Pan head screw M6 x 40mm (2pcs)	
30	Pan head screw M8 x 40mm (2pcs)	

5.1.2 AUDIO- OPTI-SERVE SPARE PARTS LIST



ITEM NO.	PART DESCRIPTION	IV CODES
I	U Sound Bar Dobby ATMOS Audio & Metal Bracket(3pcs) (pre-fixed)	IV 000047
II	Woofer 4 Inch DOBLY ATMOS Audio- rsr (pre-fixed)	IV 000052
III	Surround Speaker & Flat Metal Bracket(2pcs) DOBLY ATMOS Audio- rsr (pre-fixed)	IV 000049
IV	Amplifier 180W communicate cord x 1.2m + 4 cable long clip DOBLY ATMOS Audio- rsr (pre-fixed)	IV 000045
V	Woofer 4 Inch cable x 1.6m DOBLY ATMOS Audio- rsr (pre-fixed)	IV 000054
VI	Surround speaker cable x 4m DOBLY ATMOS Audio- rsr (RED / BLUE) (pre-fixed)	IV 000051 / IV 000055
VII	Woofer tube D43 x 180mm DOBLY ATMOS Audio- rsr (pre-fixed)	IV 000053
VIII	Amplifier 180W DOBLY ATMOS Audio- rsr (pre-fixed)	IV 000044
IX	IR remote control DOBLY ATMOS Audio- rsr	IV 000056
X	Power AC Cord Amplifier DOBLY ATMOS Audio- rsr (1pc)	IV 000058
XI	HDMI cable 2.0m DOBLY ATMOS Audio- rsr (1pc)	IV 000046

Specifications

SPECIFICATION-TV MECHANISM

FEATURE	Wireless Remote Control-TV LIFT MECHANISM
INPUT	100V-240V~ 50/60Hz 1500mA
OUTPUT	29V ---- 2A
DUTY CYCLE	MAX 10% ; MAX 2 min / 18 min
BATTERY (WIRELESS REMOTE CONTROL)	Size: AAA - Ø10.5 X T44.5mm - Spec.: 1.5V

SPECIFICATION-5.1.2 CH DOLBY ATMOS

System Section	Power Supply	100-240V ~ 50/60Hz
	Power Consumption	30 W
	Power Consumption of Standby	< 0.5 W
	Impedance	8Ω x 6 + 4Ω
	Audio input sensitivity	500mV
	Frequency Response	120Hz - 20KHz
MAX Output Power by speaker	Total	180W
	Soundbar	15W x 2 + 30W
	Up Firing	15W x 2
	Surround	15W x 2
	Subwoofer	30W x 2
Bluetooth	Version / profiles	V 4.2 (A2DP, AVRCP)
	Maximum power transmitted	≤ 5 dBm
	Frequency bands	2400 MHz ~ 2483.5 MHz
Remote Control	Distance / Angle IR Frequency	6m / 30°
	Battery type	2 x LRO3, 1.5V, AAA
Driver Size	Soundbar	1.5" x 2 + 2.5" + 2" x 4+φ20mm x 2
	Subwoofer	4" x 2
	Surround	2" x 2

* Specification subject to change without prior notice. Measured under specific conditions.

Care and maintenance

Here are some tips to keep your new bed in tip-top condition



Cleaning

To clean your new bed, we'd advise using a warm damp cloth - please do not use abrasive chemicals or bleach as this may damage the product.



Checking and moving

Periodically we recommend you check that the screws or fixtures haven't been become loose, over time. To move your new bed, we recommend lifting it where possible, as dragging or pushing it could cause damage to your flooring.



Wood

Please note each of our wooden pieces are unique, meaning that markings and shade can vary slightly between beds. Over a period of time, the wood might lighten or fade slightly due to light exposure.



Fabric

Please note depending on the lighting, positioning and surroundings of your room, the shade of the colour can sometimes appear slightly different. Over a period of time, the colour might lighten or fade slightly due to light exposure.



Metal

Metal tends to be more resilient to everyday wear and tear. We recommend to gently dust your metal furniture and keep it dry to maintain its look.

Thank you for shopping with us - we hope you have a great night's sleep

Sleep well