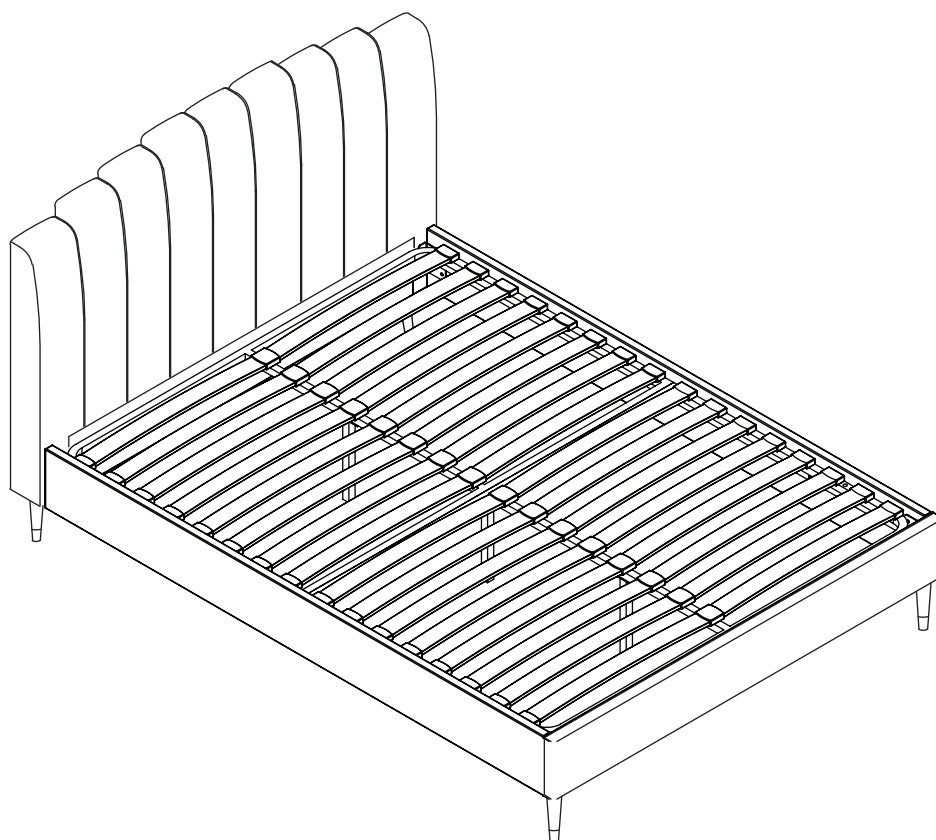


# Windsor Bedstead



1 hour approx  
assembly time



Two person  
assembly

**Dreams**

MK1 220324

# Thank you

Hello, thanks for choosing to purchase your bed from Dreams - you're now on your way to creating a functional and fabulous room. Before you begin building your furniture, please take a moment to read through the instructions and make sure that you've got all the relevant parts listed on the following pages.



## Assembly tips

Before you begin, it's best to identify all parts and fittings to build your furniture. We advise laying these out on the floor to check you have everything, and familiarising yourself before building.



## Top tip

We recommend that you build your new furniture in the room you'd like it to be located - this will help prevent any risk of damage to your newly built furniture whilst moving it.



## Safety and care

It's really important to ensure children and animals are kept away from the assembly area, as there are small components used in this bed which could present a choking hazard. All plastic and wrapping materials should also be kept away from children and animals to prevent any risk of suffocation. To keep your little ones busy, there is a colouring page inside the back cover.



## Help and support

At Dreams, it's our mission to give the whole nation a great night's sleep - this means that the quality of our products is of utmost importance to us. If there are any issues with your product or any missing parts, please visit our website at [www.dreams.co.uk/help](http://www.dreams.co.uk/help)



## Recycling

Please ensure that packaging is disposed of in a safe and environmentally friendly way, and recycle where possible. Our assembly instructions are printed on recycled paper. Please keep your assembly instructions safe to refer back to in the future.

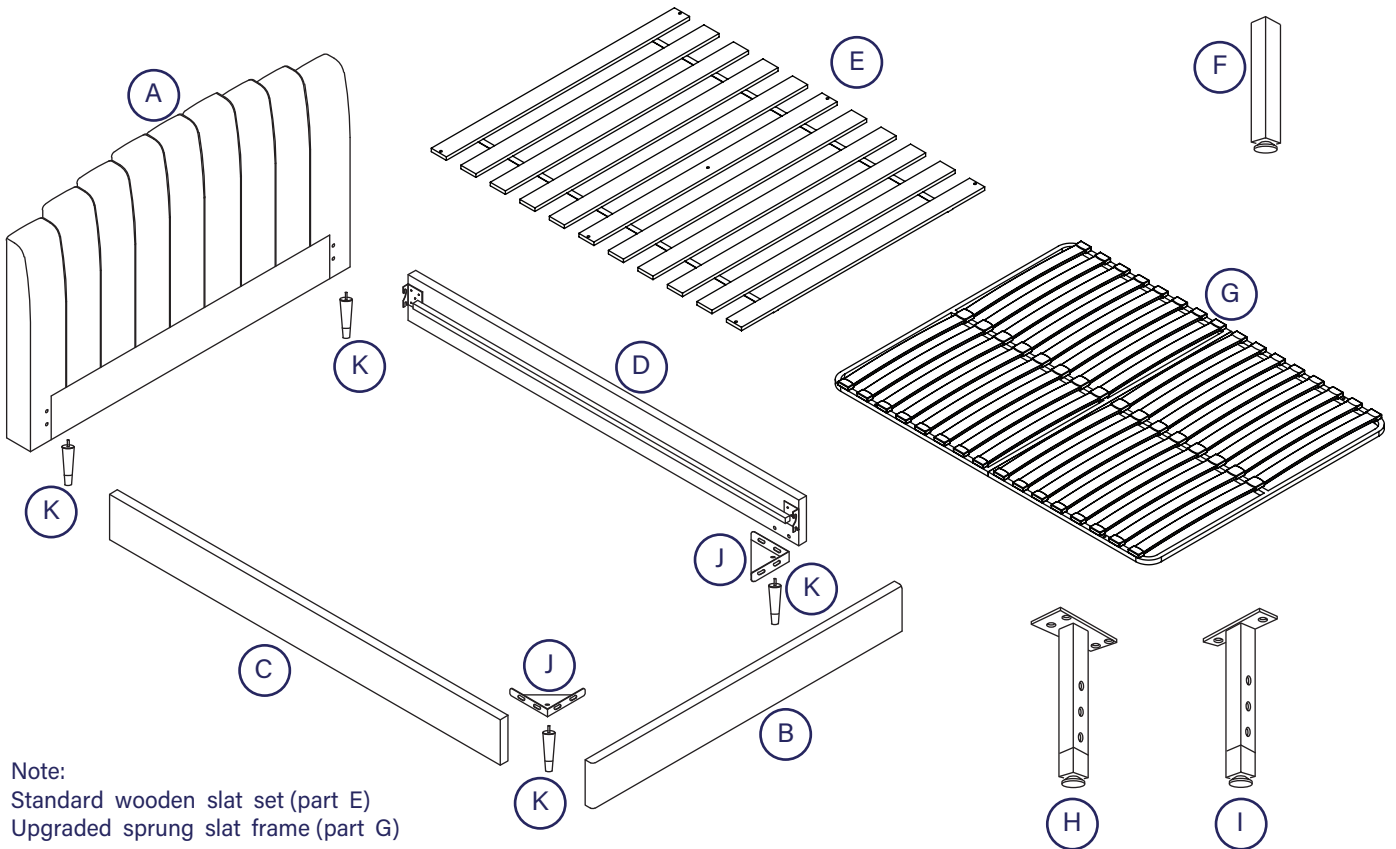
# Parts

## Important information

The bed you have purchased comes with 2 different base options; solid slats or sprung slats.

Please identify which base you have purchased as the assembly method may change.

If you have purchased solid or sprung slats please follow the instructions below in the current order.



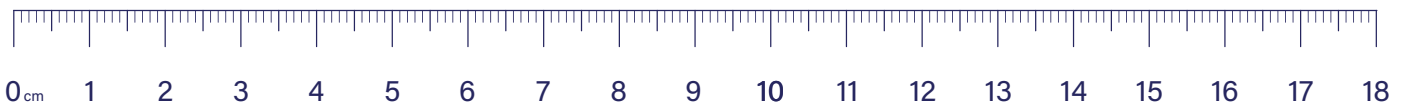
Note:  
Standard wooden slat set (part E)  
Upgraded sprung slat frame (part G)

## Parts list

A.	Headboard	1	G.	*Upgraded Sprung Slat Frame*	1
B.	Footboard	1	H.	*Sprung Slat Frame Centre Support Leg*	1
C.	Side rail - Left	1	I.	*Sprung Slat Frame Outer Support legs*	2
D.	Side rail - Right	1	J.	Angle Brackets	2
E.	Wooden Slat Set	1	K.	Legs	4
F.	Wooden Slat Set Support Leg	1			

\* These items are supplied separately but only when the upgraded slat-frame system is selected at time of purchase\*.

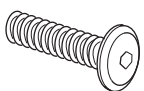


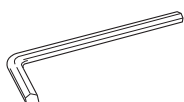
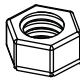

The legs (H&I) are supplied packed inside the slat-frame carton itself.



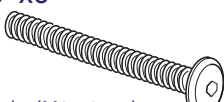
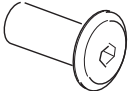

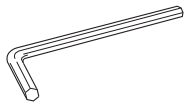
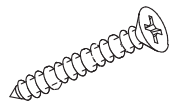

# Fittings

Please check you have all the parts listed below with your product:

## Hardware included for bed assembly (pack A)

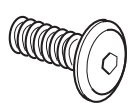
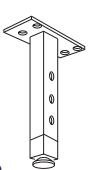
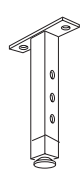
<p>a x16</p>  <p>Bolts (M8x30mm) for fitting side rails (C&amp;D) to headboard &amp; footboard (A&amp;B)</p>	<p>b x18</p>  <p>Spring washer for M8 bolts</p>	<p>c x18</p>  <p>Flat Washer for M8 bolts</p>	<p>d x1</p>  <p>Allen key for M8 bolt</p>	<p>j x2</p>  <p>Nuts for M8 bolt for fitting legs (K) to angle brackets (J)</p>
<p>k x1</p>  <p>Spanner for M8 nut</p>				

## Hardware included for fitting wood slats or upgraded sprung slat frame (pack B)

<p>e x6</p>  <p>Bolts (M6x40mm) for fitting wooden slat set (E) or the sprung slat frame (F) to side rail slat supports</p>	<p>f x6</p>  <p>Sleeve nut for M6 bolts</p>	<p>g x7</p>  <p>Flat washer for M6 bolts &amp; for support leg screw (U)</p>	<p>h x1</p>  <p>Allen Key for M6 bolts</p>	<p>u x1</p>  <p>Screw (5x40mm) for fitting slat support leg (F)</p>
<p>v x6</p>  <p>Spring Washer for M6 bolts</p>				

## Extra hardware included when fitting upgraded sprung slat frame

Note: the following fittings will be found in the carton which contains the upgraded metal slat frame itself.

<p>p x8</p>  <p>Bolts (M6x15mm) for fitting support legs (H&amp;I) to the sprung frame (G).</p>	<p>h x1</p>  <p>Sprung slat frame centre support leg</p>	<p>l x2</p>  <p>Sprung slat frame outer support legs</p>
--	---	---

# Tools required

Please check you have all these below

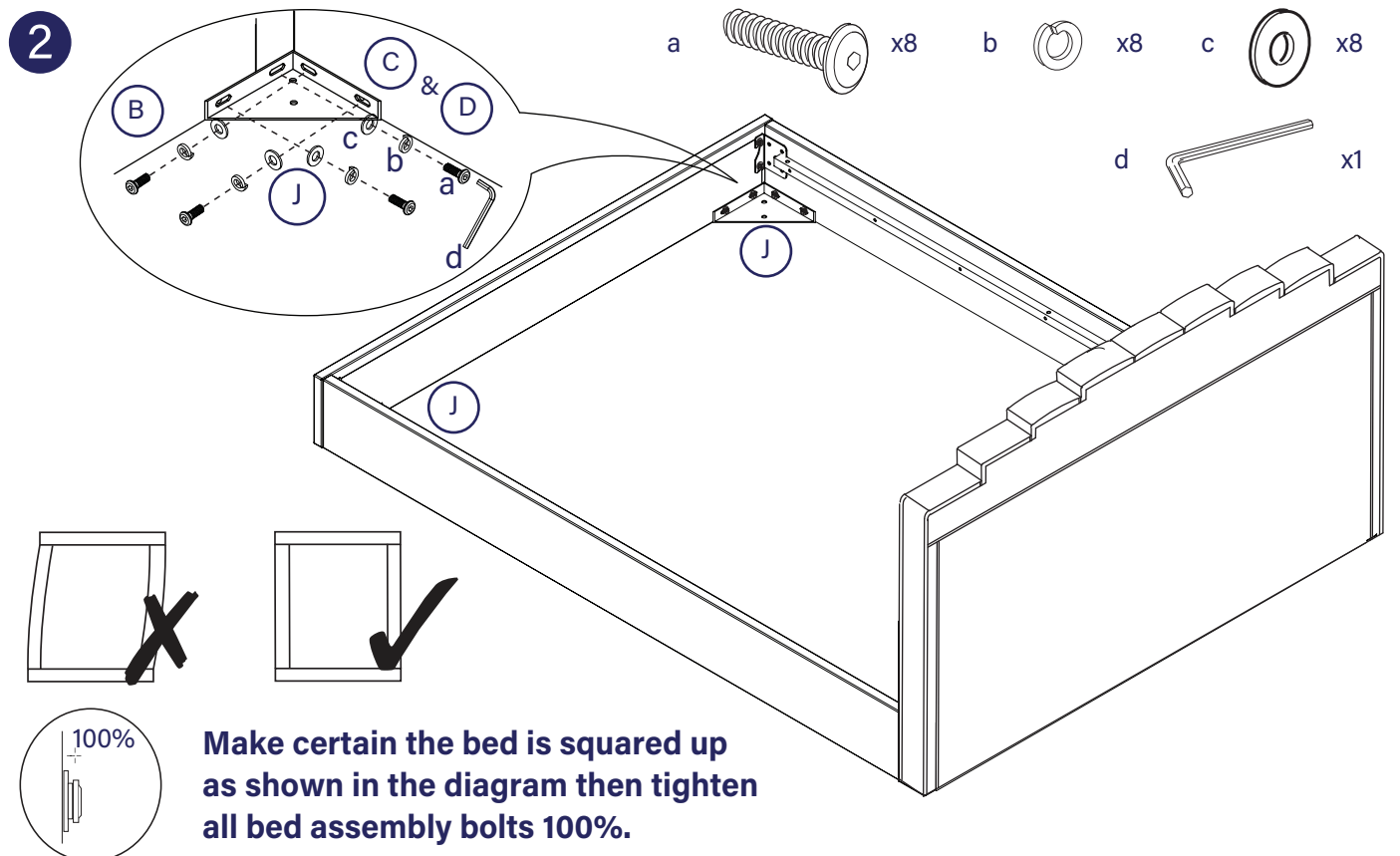
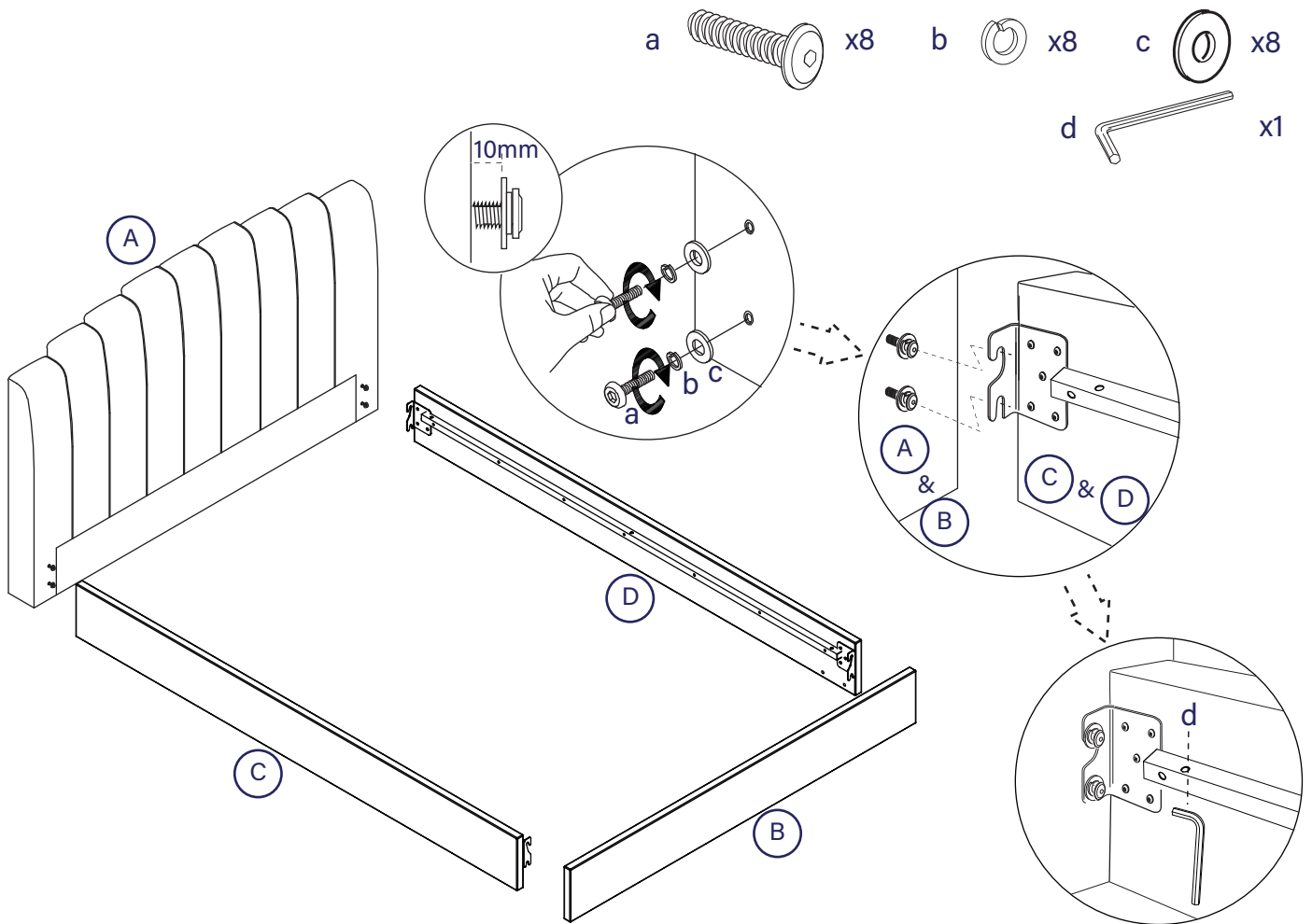


Tape measure



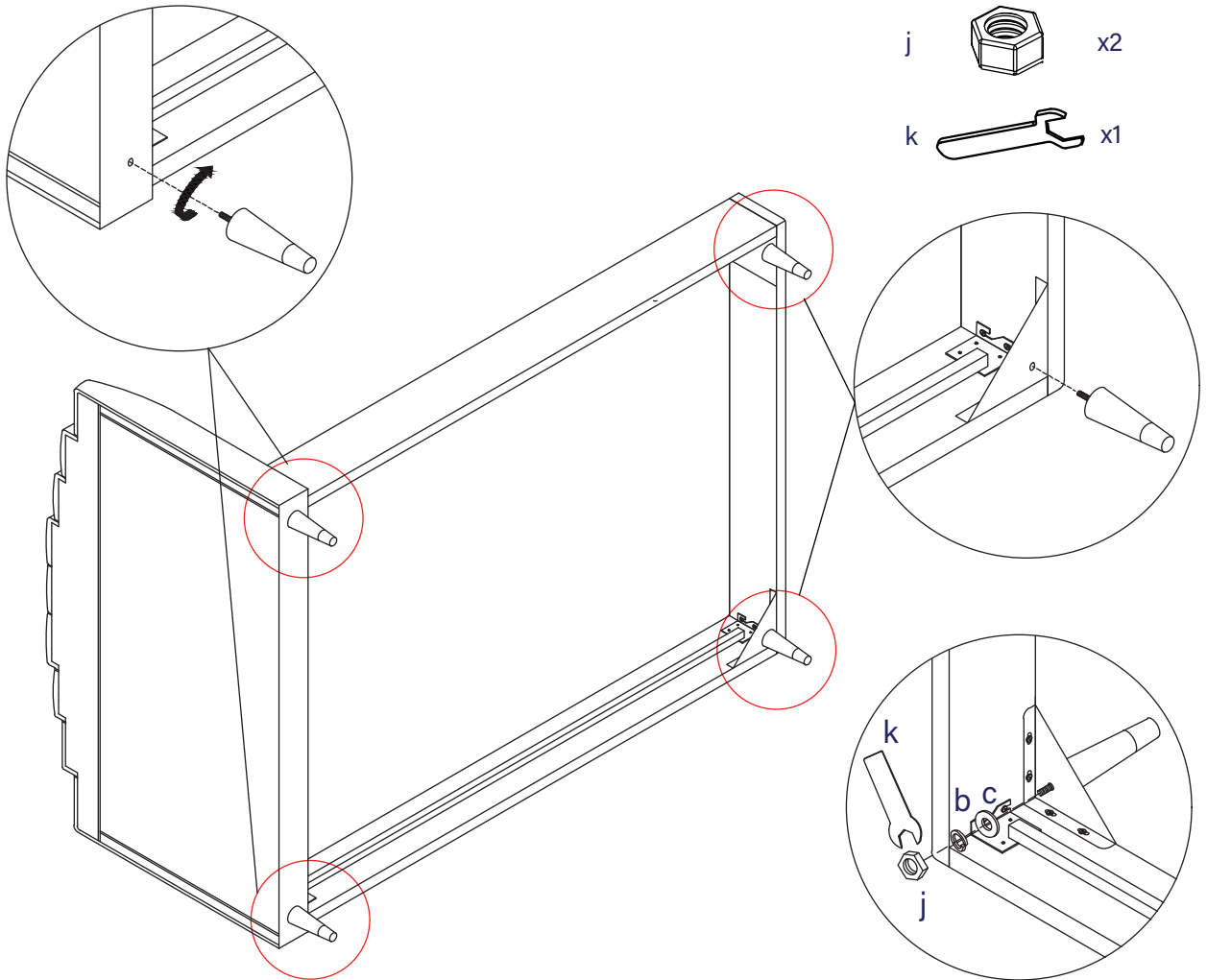
Cross head screwdriver





# 1 Bed assembly - use pack 'A'



### 3 Fit the legs

With help, turn bed on it's side, do not allow it to twist.  
Screw in each leg, please do not over-tighten.



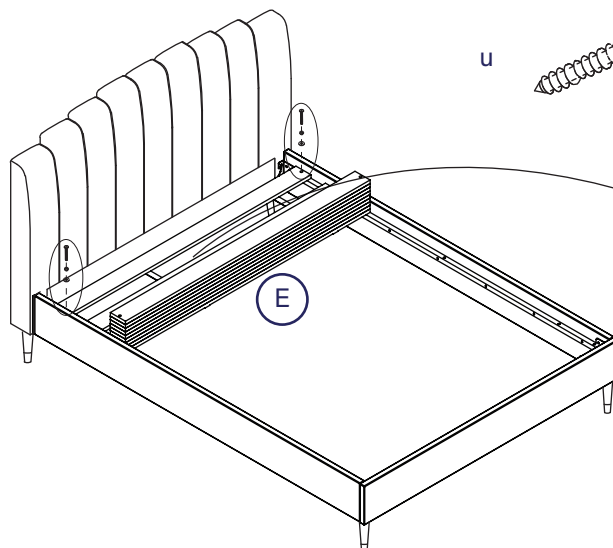
- b  x2
- c  x2
- j  x2
- k  x1

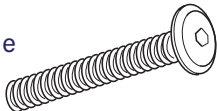
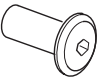


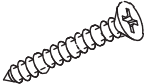

### 4a Fit wooden slats - use pack 'B'

- i. Lift the bed and turn back onto it's legs - don't put all the weight of the bed onto the legs and pivot it, or the legs may be damaged, please lift it then put it into it's final location.

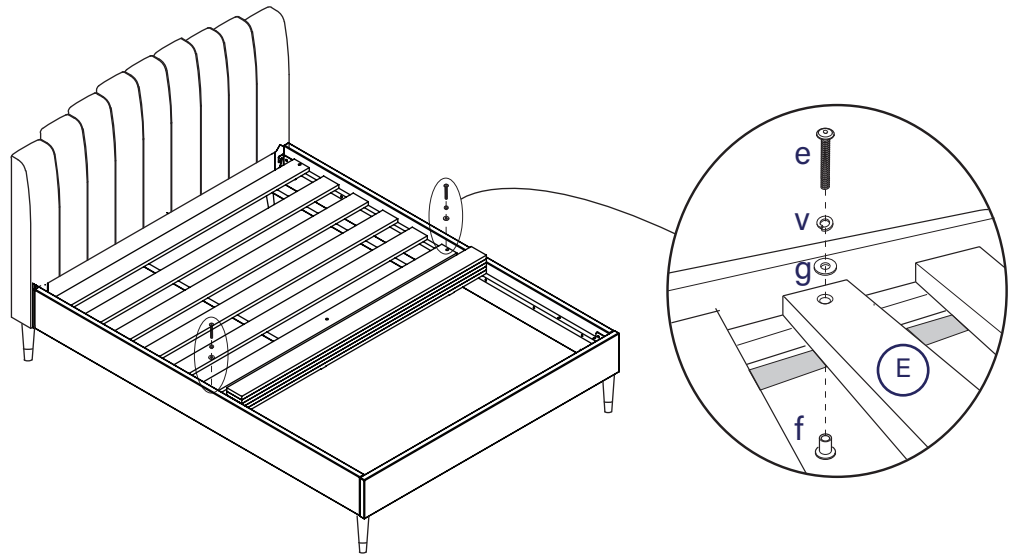
Using two bolt sets (e, v, & g) and sleeve nuts (f) loosely fix one slat in the two holes next to the headboard.

Carefully roll out the slats to halfway down the bed aligning with the holes in the centre of metal support rails.

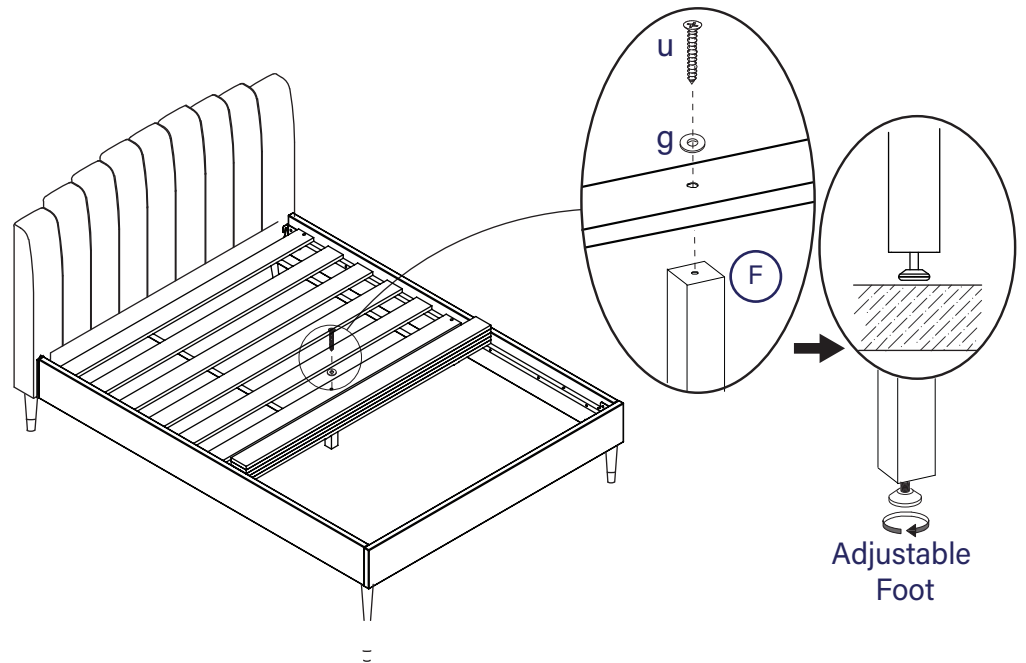


- e  x6
- f  x6
- g  x7
- h  x1
- u  x1
- v  x6

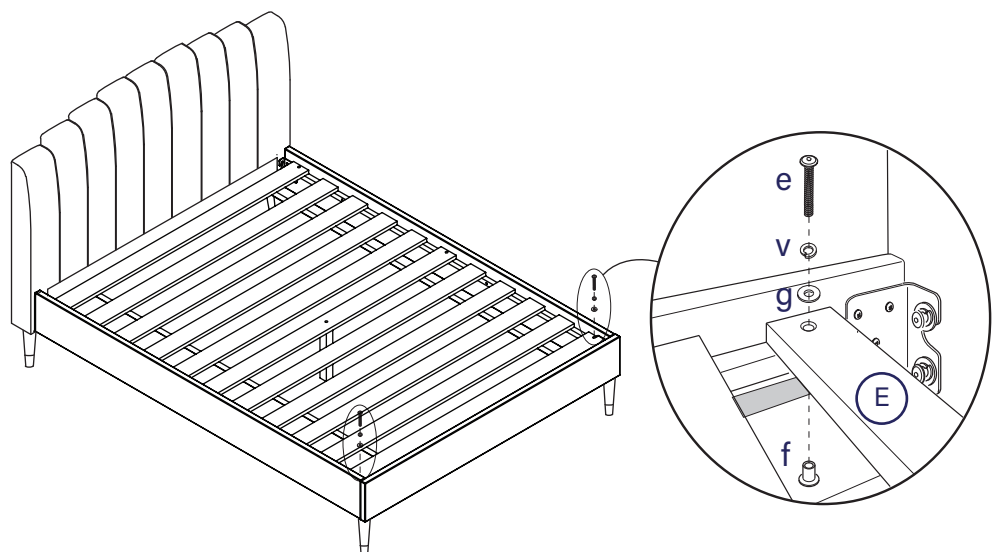
ii. Using two more bolt sets, loosely bolt the central slat into position - arrange the slats then tighten all four bolt sets 100% using Allen key (h).



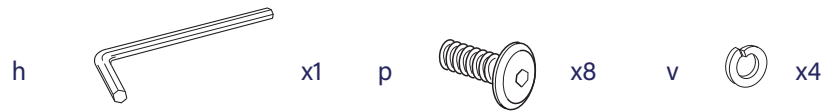
iii. Fit the support leg (F) to the centre slat using screw (u) and flat washer (g). Fully tighten using a cross-head screwdriver. Carefully turn the adjustable foot clockwise until it just touches the floor and slat is horizontal.



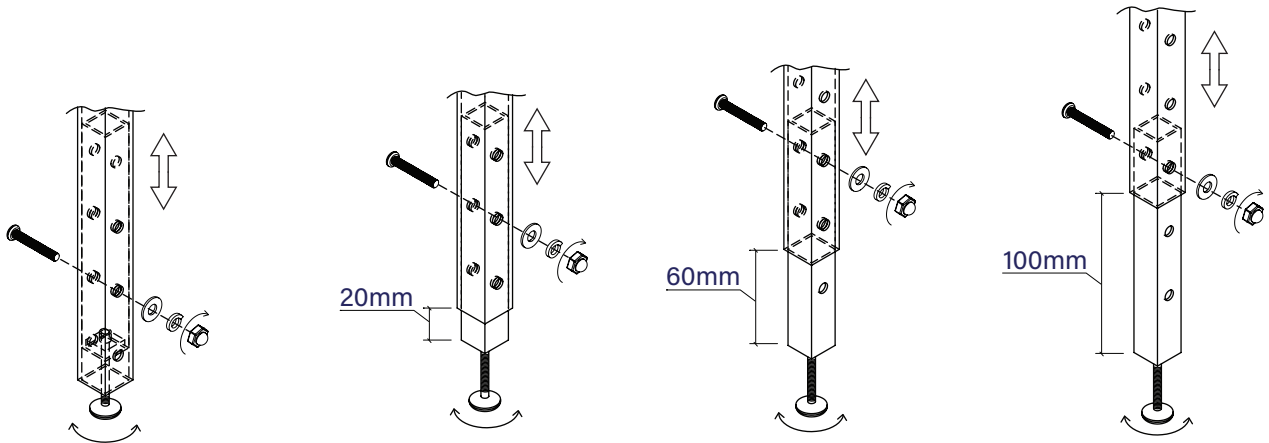
iv) Roll out the rest of the wooden slats and fix with the last two bolt sets, arrange all the slats then fully tighten using Allen key (h).



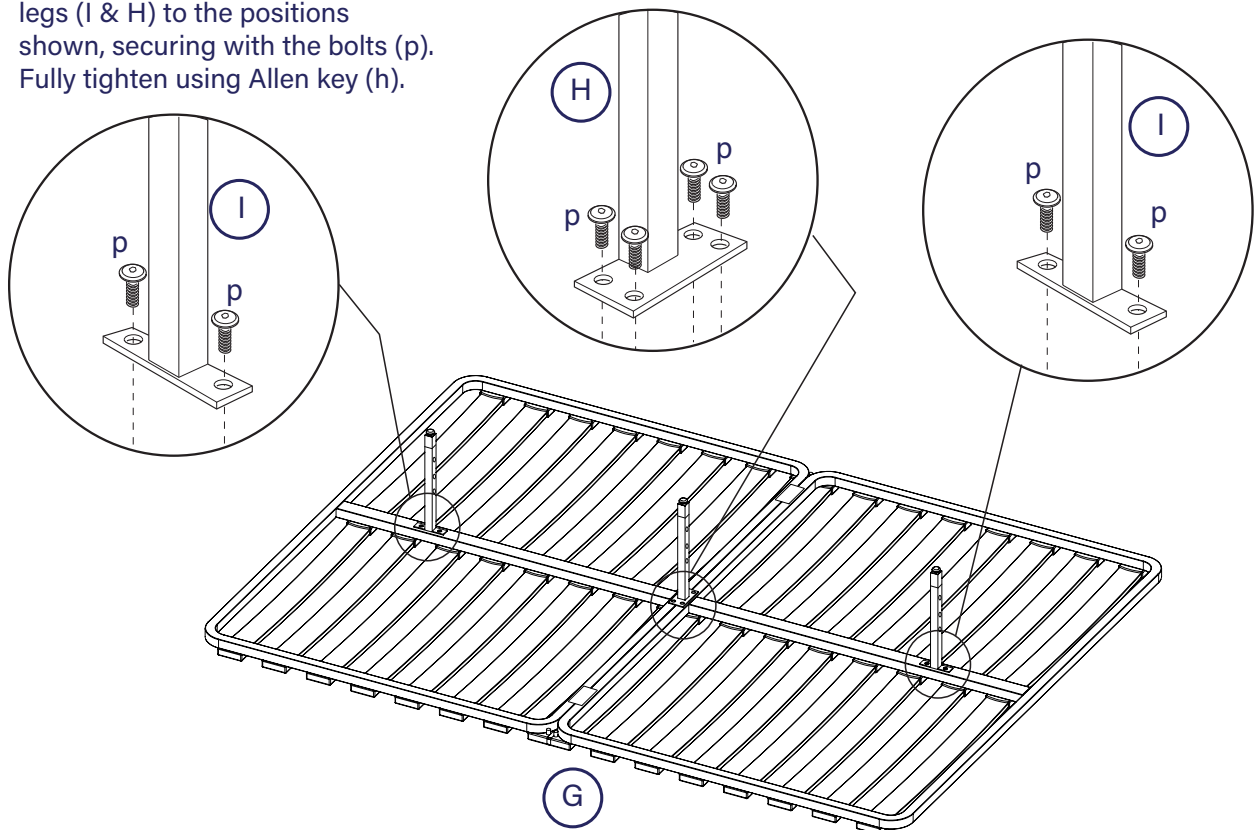
## 4a Fitting upgraded sprung slat frame use pack 'B'



- i. The support legs each have four adjustable parts that need to be set to suit the height of the bed slat frame. Please adjust the height of each leg by selecting the correct hole and inserting the bolts and nuts as shown. You can fine-tune the height of each leg by screwing the adjustable foot in or out so it just touches the floor.



- ii. Open the sprung slat frame and lay the frame face down on the working surface. Fit the support legs (I & H) to the positions shown, securing with the bolts (p). Fully tighten using Allen key (h).

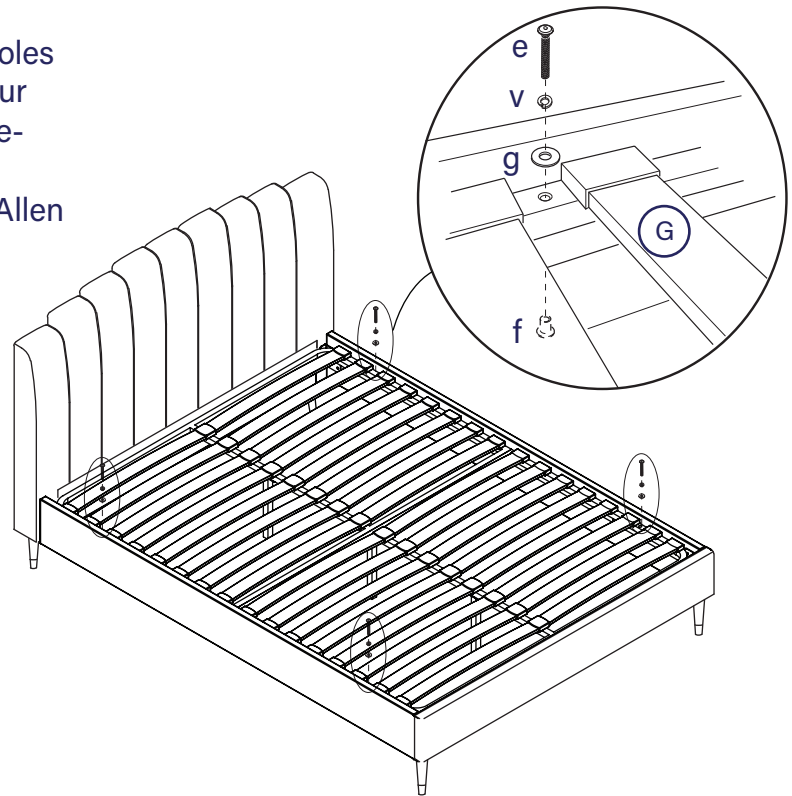




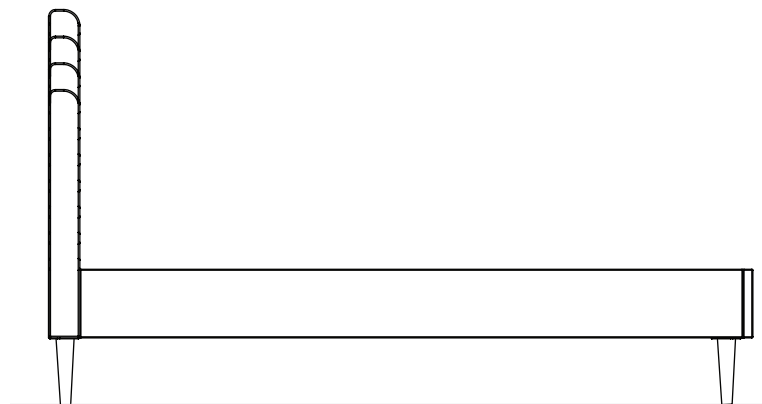
## 4b Fit upgraded sprung slat frame use pack 'B'



- iii) Carefully turn the slat frame over and position onto the metal slat supports on each side panel. Align the frame with the fixing holes at each end and secure using four sets of bolts (e, v & g) and sleeve-nuts (f). When all in place tighten using Allen key (h).



- iv) Finally, please check carefully that all bolts are fully tightened before the bed is used.



### Overall Dimensions (LWH cm)

Double: 206 x 151.5 x 117

King: 216 x 166.5 x 117

### Internal Dimensions (LWH cm)

Double: 192 x 137

King: 201 x 152

### Distance between slats (cm)

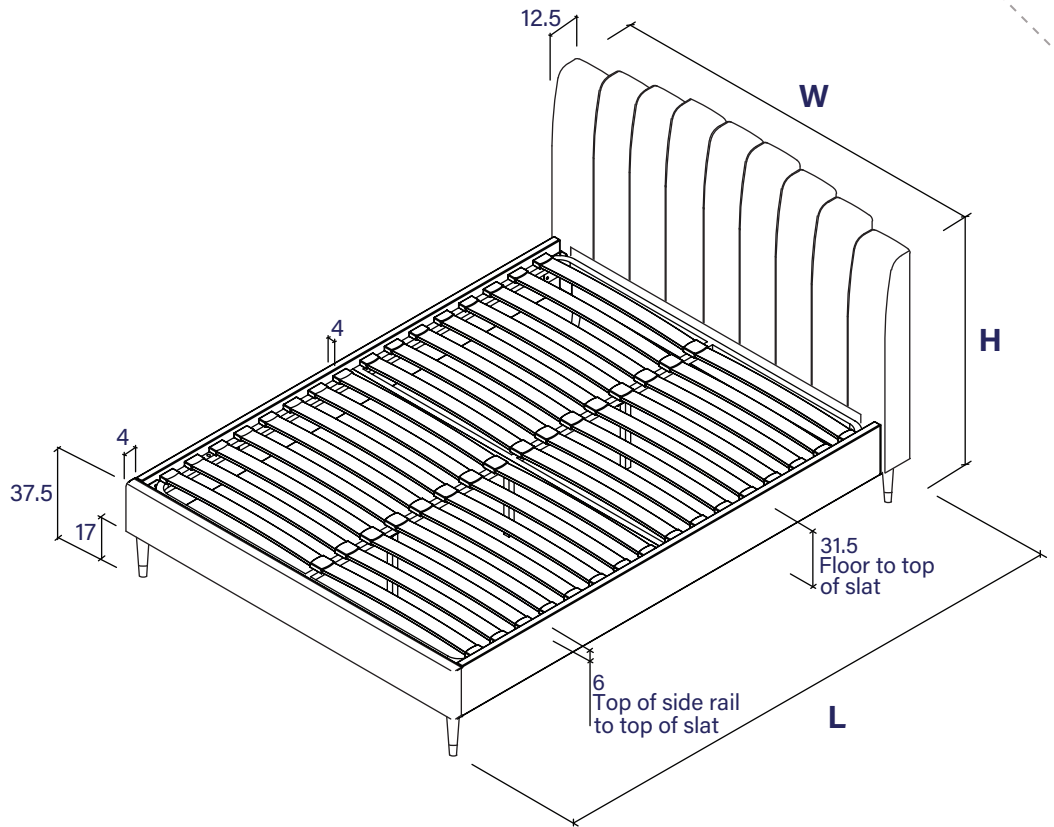
Double: 9

King: 8.7

### Slat Dimensions (LWH mm)

Double: 670 x 53 x 9

King: 745 x 53 x 9



## Care and maintenance

Here are some tips to keep your new bed in tip-top condition



### Cleaning

To clean your new bed, we'd advise using a warm damp cloth or if fabric, remove dust using a low suction vacuum cleaner. Please dry-clean the pillows if it is necessary to clean them.

Please do not use abrasive chemicals or bleach as this may damage the product.



### Checking and moving

Periodically we recommend you check that the screws or fixtures haven't become loose over time. To move your new bed, we recommend lifting it where possible, as dragging or pushing it could cause damage to the legs or flooring.



### Wood

Please note each of our wooden pieces are unique, meaning that markings and shade can vary slightly between beds. Over a period of time, the wood might lighten or fade slightly due to light exposure.



### Fabric

Please note depending on the lighting, positioning and surroundings of your room, the shade of the colour can sometimes appear slightly different. Over a period of time, the colour might lighten or fade slightly due to light exposure.



### Metal

Metal tends to be more resilient to everyday wear and tear. We recommend to gently dust your metal furniture and keep it dry to maintain its look.

**Thank you for shopping with us - we hope you have a great night's sleep.**

*Sleep well*



# Little dreamers

Keep the little ones entertained while you assemble your new purchase.



**Dreams**

