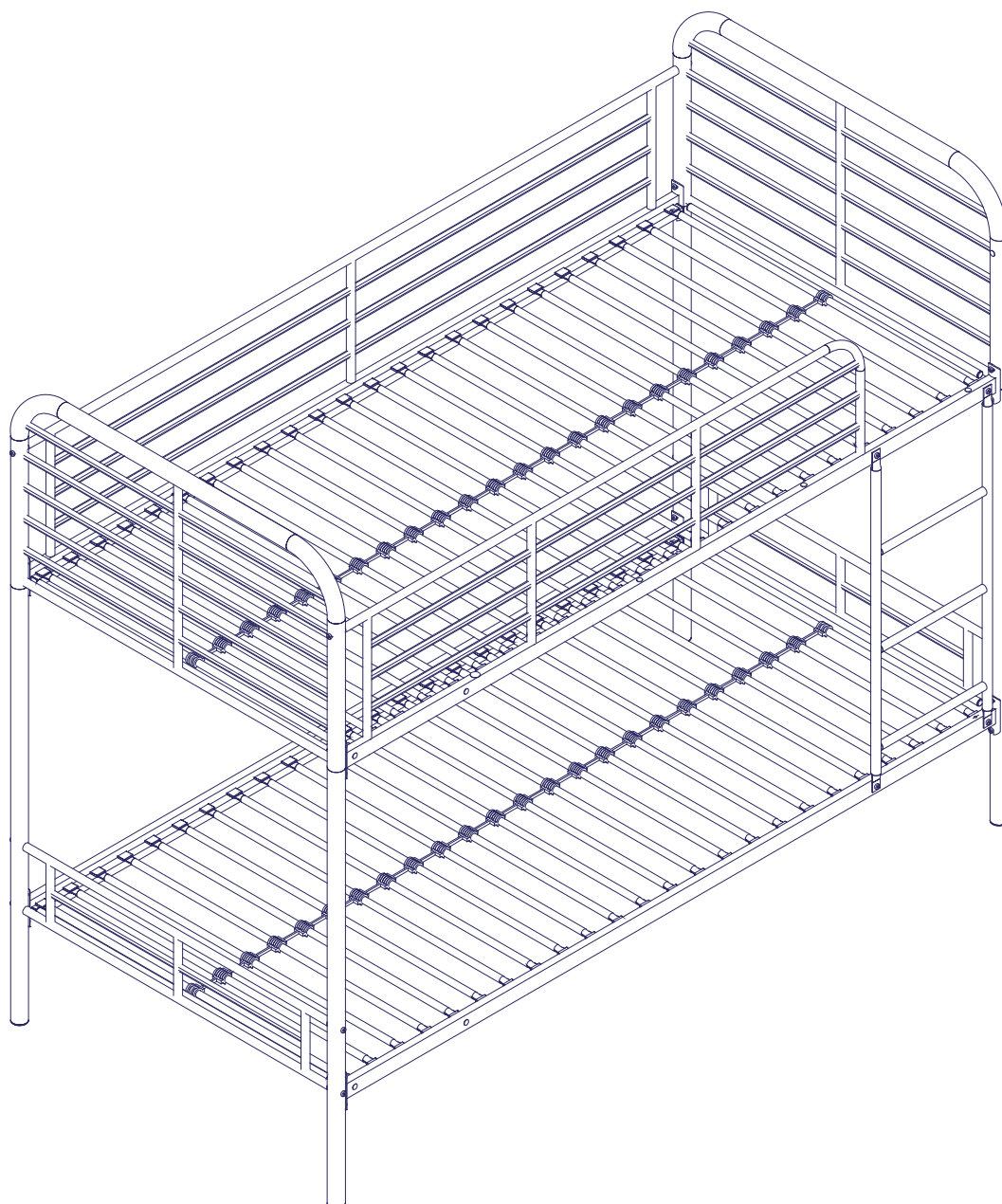


# Westbrook Bunk

**IMPORTANT, RETAIN FOR FUTURE REFERENCE:  
READ CAREFULLY !**



3/4 hour approx  
assembly time



Two person  
assembly

**Dreams**

# Thank you

Hello, thanks for choosing to purchase your bed from our company- you're now on your way to creating a practical and stylish solution for your room. Before you begin building your bed, please take a moment to read through the instructions and make sure that you've got all the relevant parts listed on the following pages.



## Assembly tips

Before you begin, it's best to identify all parts and fittings to build your bed. We advise laying these out on the floor to check you have everything, and familiarising yourself before building.



## Top tip

We recommend that you build your new bed in the room you'd like it to be located - this will help prevent any risk of damage to your newly built sofa bed whilst moving it.



## Safety and care

It's really important to ensure children and animals are kept away from the assembly area, as there are small components used in this bed which could present a choking hazard. All plastic and wrapping materials should also be kept away from children and animals to prevent any risk of suffocation. To keep your little ones busy, there is a colouring page inside the back cover.



## Help and support

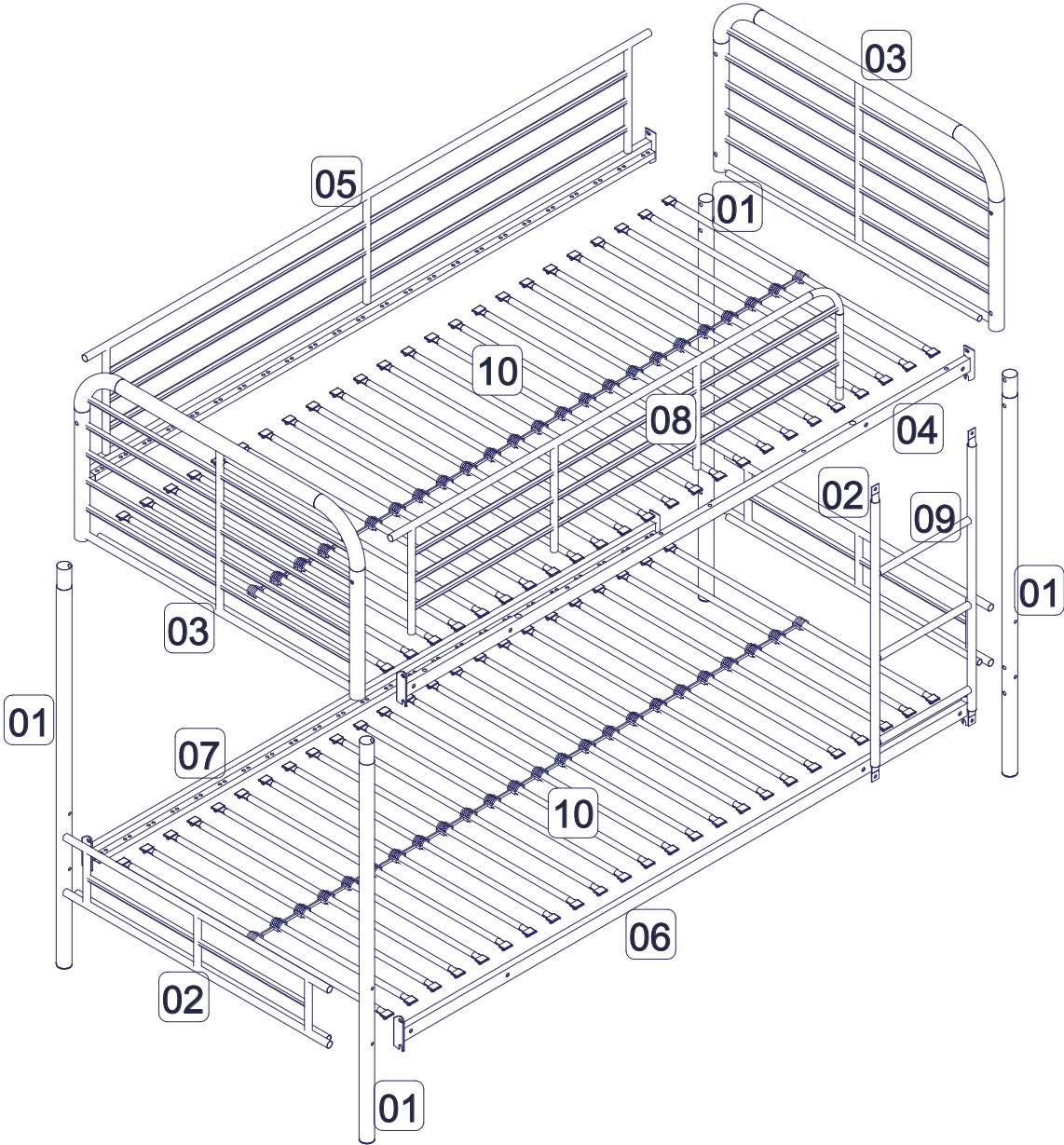
At Dreams, it's our mission to give the whole nation a great night's sleep - this means that the quality of our products is of utmost importance to us. If there are any issues with your product or any missing parts, please contact our Help Centre on 0800 652 6750, where a member of our team will be happy to help. (For customers based in Northern Ireland, please call 028 9050 8300)



## Recycling

Please ensure that packaging is disposed of in a safe and environmentally friendly way, and recycle where possible. Our assembly instructions are printed on recycled paper. Please keep your assembly instructions safe to refer back to in the future.

# Parts



## Parts list

1.	Base Leg x 4 pcs	<input type="checkbox"/>	6.	Lower Side Rail x 1 pc	<input type="checkbox"/>
2.	Lower Head/Foot End x 2 pcs	<input type="checkbox"/>	7.	Lower Side Rail x 1 pc	<input type="checkbox"/>
3.	Upper Head/Foot End x 2 pcs	<input type="checkbox"/>	8.	Protect Frame x 1 pc	<input type="checkbox"/>
4.	Upper Side Rail x 1 pcs	<input type="checkbox"/>	9.	Ladder x 1 pc	<input type="checkbox"/>
5.	Upper Inside Frame x 1 pcs	<input type="checkbox"/>	10.	Metal Slat x 48 pcs	<input type="checkbox"/>

# Fittings

Please check you have all the parts listed below with your product:

A x 14



Bolt (M6 x 50mm)

B x 16



Bolt (M6 x 20mm)

C x 5



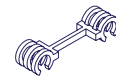
Bolt (M6 x 15mm)

D x 1



Allen Key

E x 46



Slat Buckle

F x 1

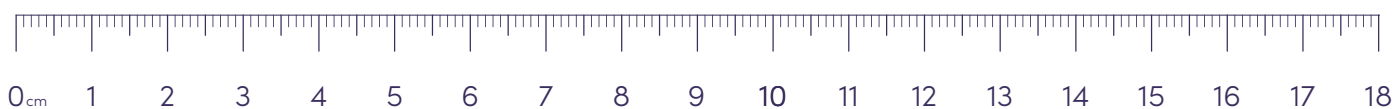


Caps (Dia 17mm)

G x 9



Caps (Dia 10mm)



# Tools required

Please check you have all these below:



Scissors



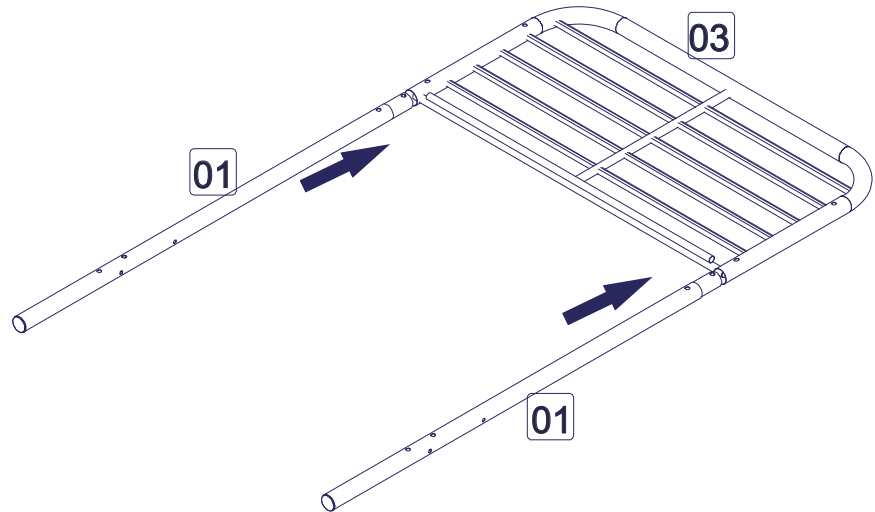
Tape measure

# Assembly

**1** x2

HEAD/FOOT END ASSEMBLY

Attach Base Leg (01) to  
Upper Head/Foot End (03).



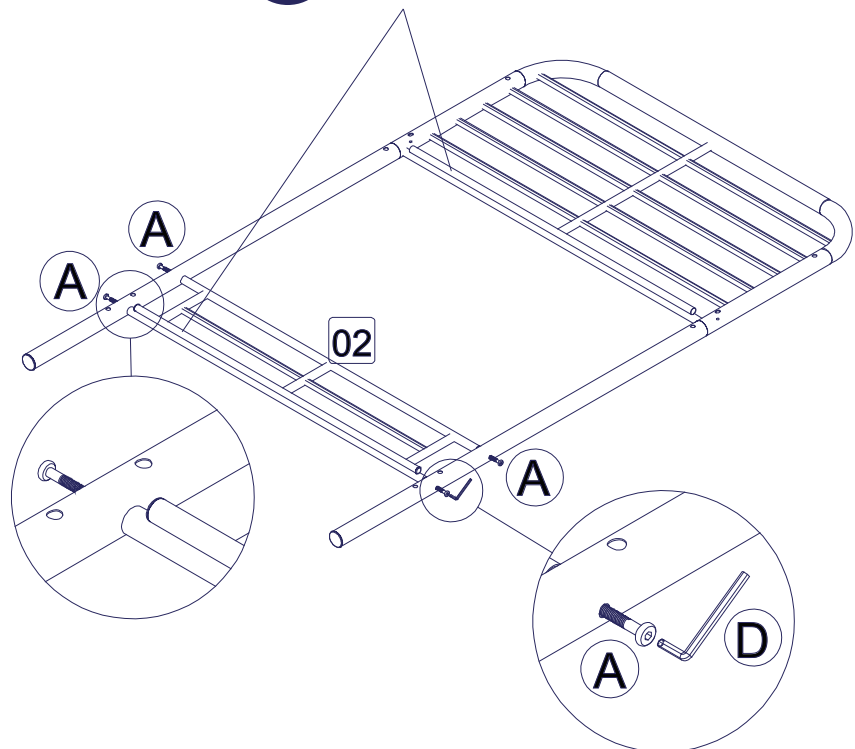
**2** x2

HEAD/FOOT END ASSEMBLY

Attach Lower Head/Foot End (02)  
to Base Leg (01).

Fully tighten all bolts.

**!** Make sure these tubes  
on the same side.



# Assembly

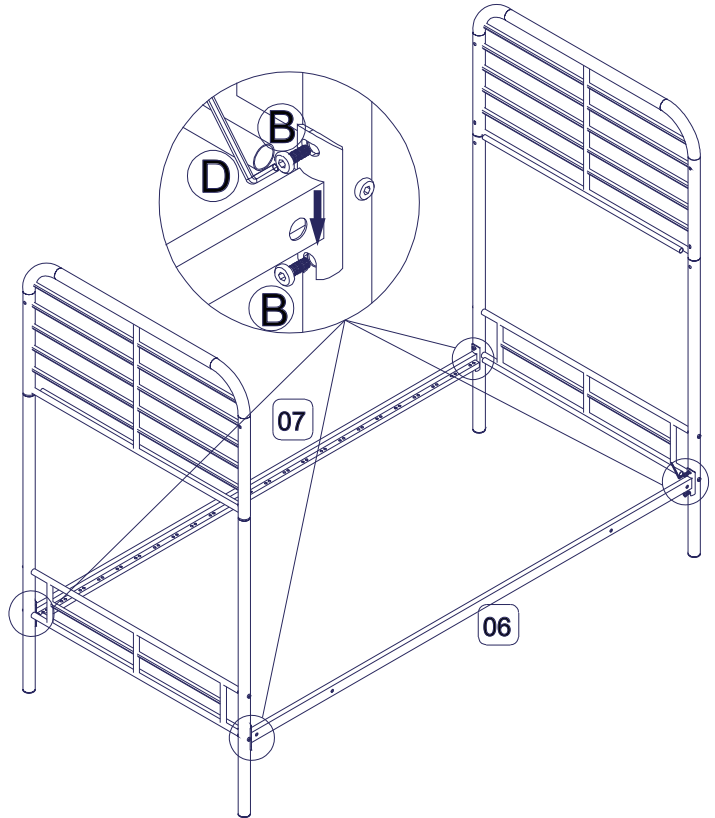
3

## SIDE RAIL ASSEMBLY

Attach Lower Side Rails (06) (07) to headend/Footend.



Loosely tighten the Bolts 90%.



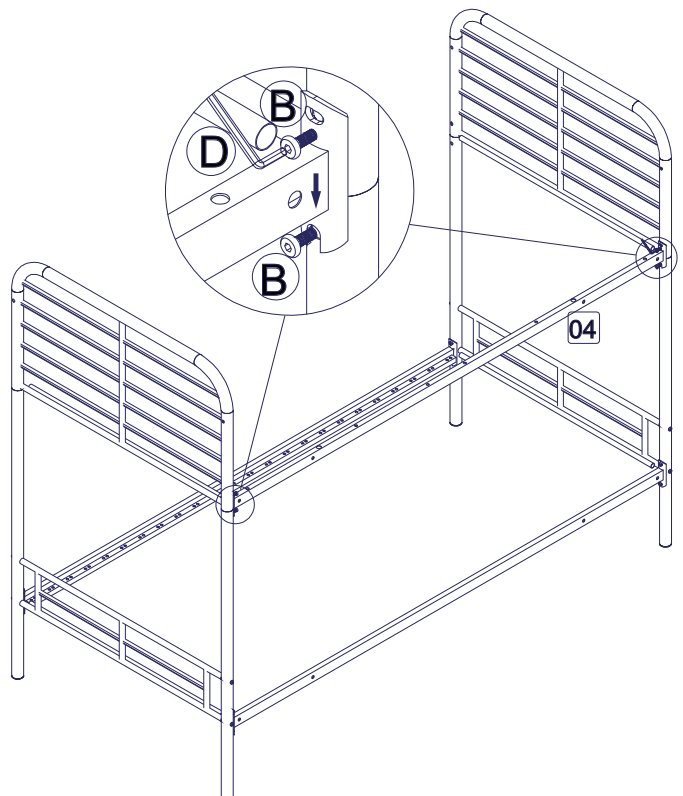
4

## SIDE RAIL ASSEMBLY

Attach the Upper Side rail (04) to headend/Footend.



Loosely tighten the Bolts 90%.



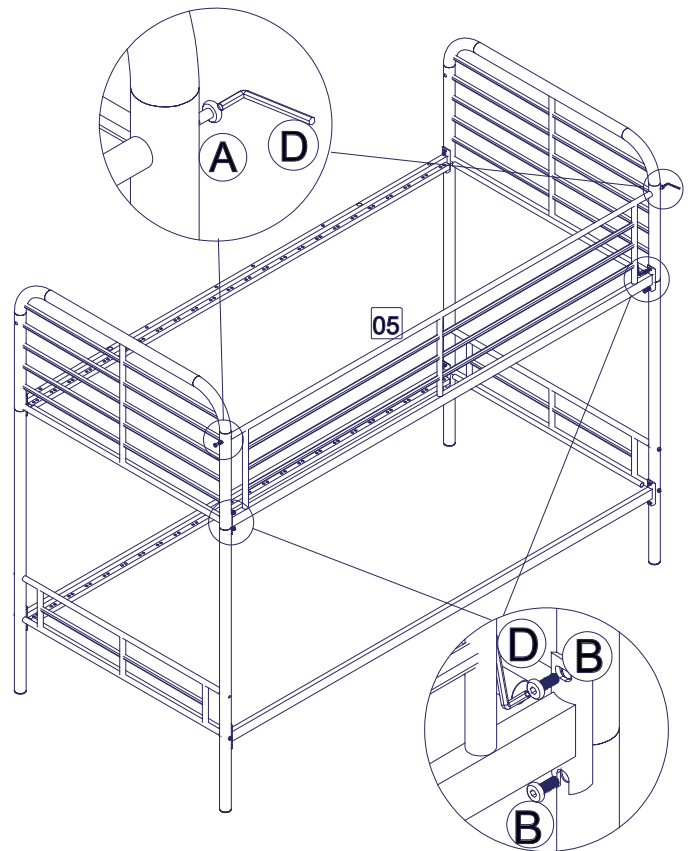
# Assembly

**5**

## SIDE RAIL ASSEMBLY

Attach Upper Inside Frame (05) to headend/Footend.

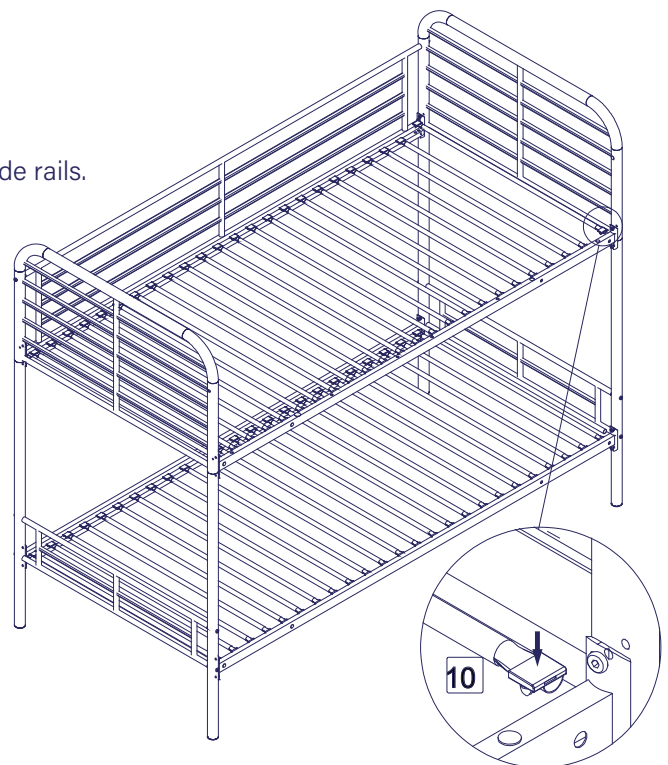
**!** Fully tighten all bolts at this step.



**6**

## SLAT SYSTEM ASSEMBLY

Insert metal slats and secure with plastic buckle to the side rails.

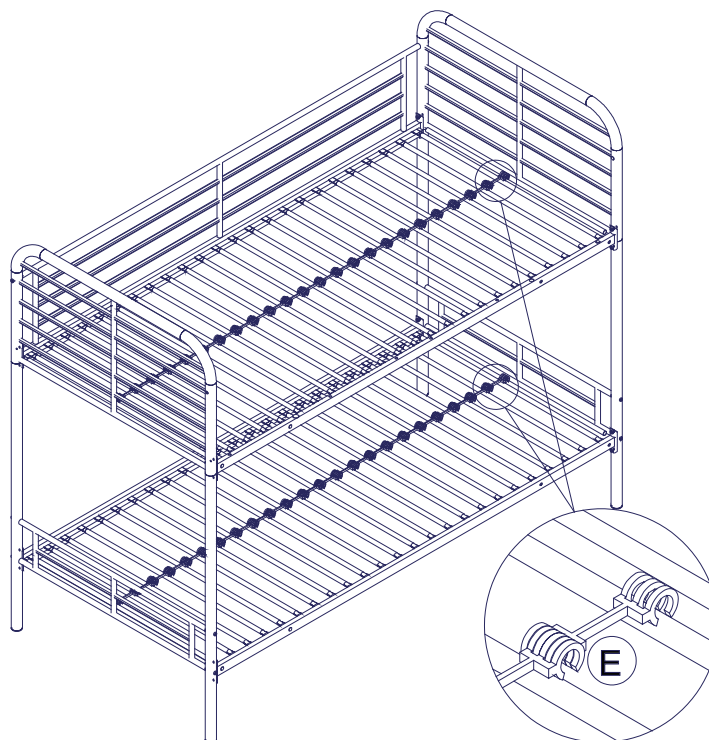


# Assembly

7

## SLAT SYSTEM ASSEMBLY

Use Slat Buckle to connect Metal slats.



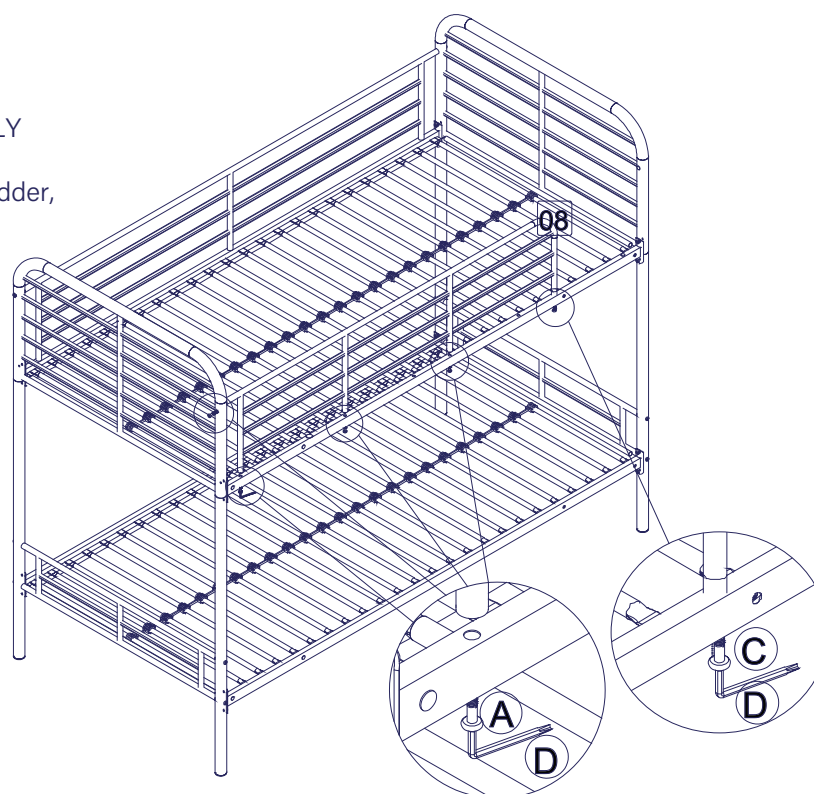
8 a

## PROTECT FRAME AND LADDER ASSEMBLY

Before ASSEMBLY the Protect frame and ladder, you must decide which side you want to fit the ladder to.

### Option: 01

The ladder on the right side,  
The protect frame on the left side





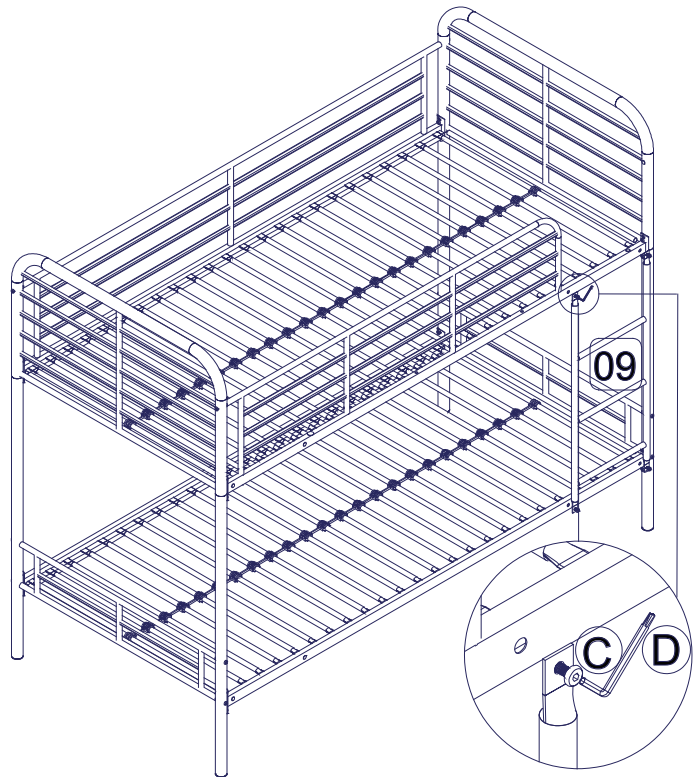
# Assembly

**8 b**

ASSEMBLY  
PROTECT FRAME AND LADDER ASSEMBLY

**Option: 01**

The ladder on the right side,  
The protect frame on the left side



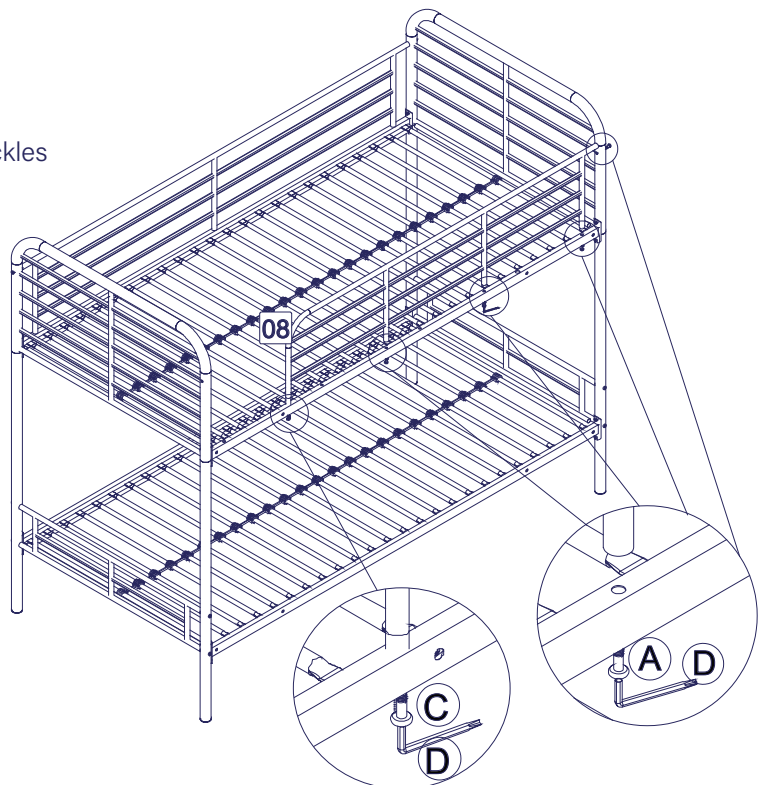
**9 a**

PROTECT FRAME AND LADDER ASSEMBLY

Press and attach the Metal slats with plastic buckles  
into the side rails

**Option: 02**

The ladder on the left side,  
The protect frame on the right side



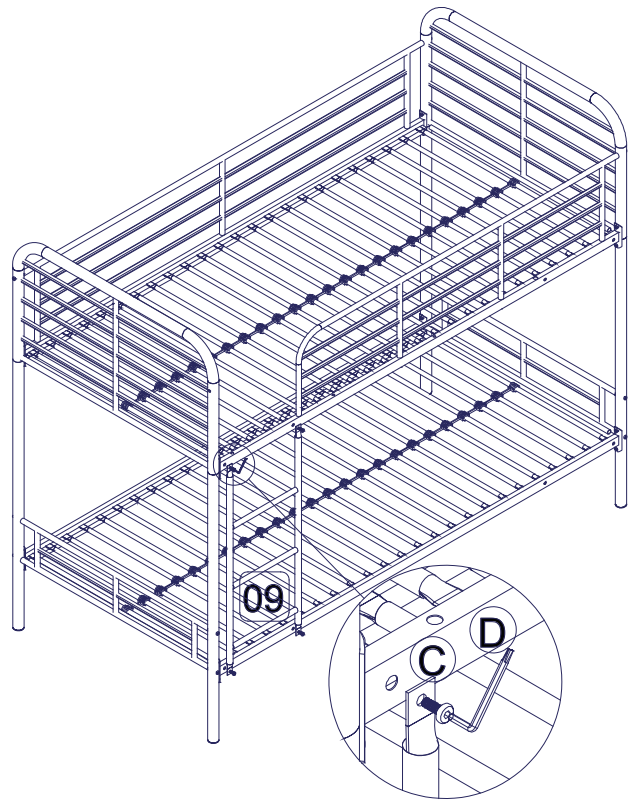
# Assembly

9 b

PROTECT FRAME AND LADDER ASSEMBLY

**Option: 02**

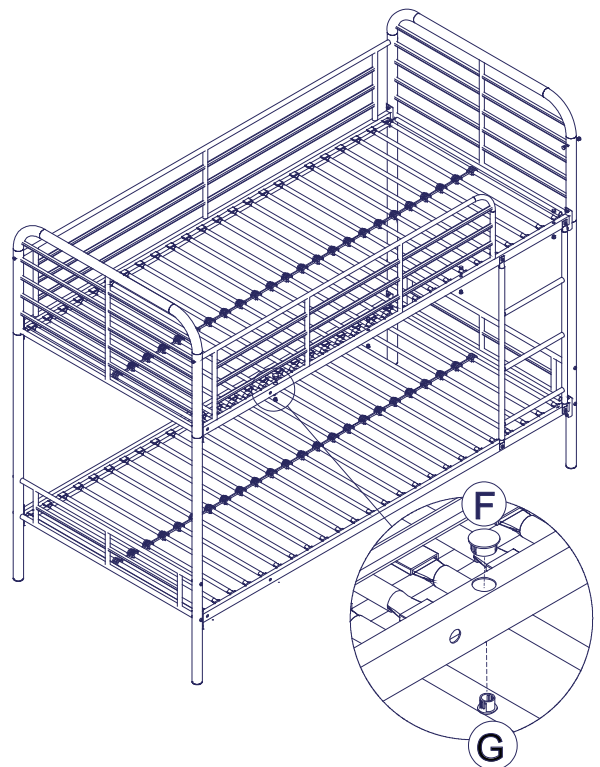
The ladder on the left side,  
The protect frame on the right side



10

BED FRAME ASSEMBLY

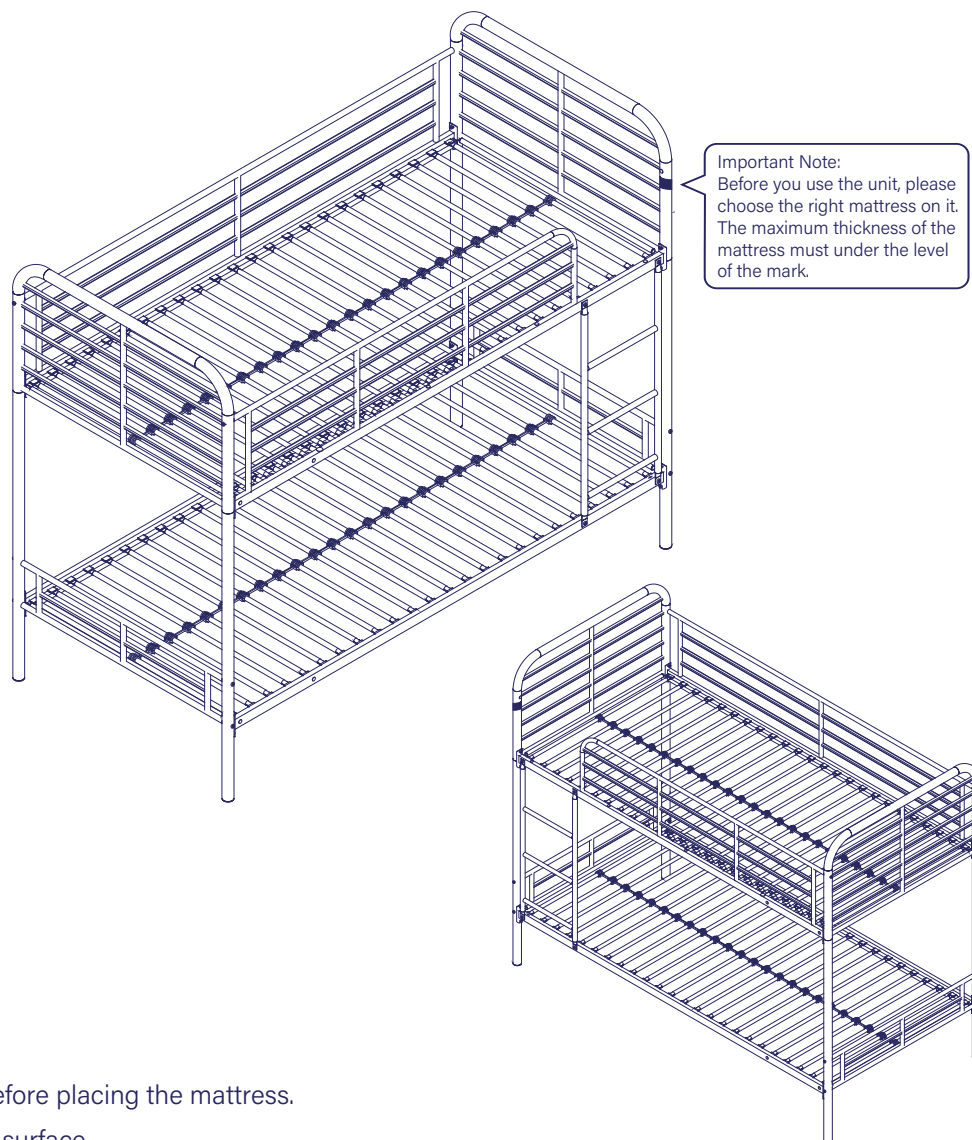
Insert Cap into hole.



# Assembly

11

ASSEMBLED



## Note:

- Do not stand on the bed before placing the mattress.
- Assemble on a smooth flat surface.
- The recommended size of the mattress is 90x190cm, the mattress thickness should not exceed 17cm.
- Ensure the room is well ventilated to keep humidity low and prevent mould formation in and around the bunk frame.
- This product complies with European Standard BS EN 747-1:2012+A1:2015 & 747-2:2012+A1:2015
- **WARNING:** High beds and the upper bed of bunk beds are not suitable for children under six years due to the risk of injury from falls.
- **WARNING:** Bunk beds and high beds can present a serious risk of injury from strangulation if not used correctly. Never attach or hang items to any part of the bunk bed that are not designed to be used with the bed, for example, but not limited to ropes, strings, cords, hooks, belts and bags.
- **WARNING:** Children can become trapped between the bed and the wall, a roof pitch, the ceiling, adjoining pieces of furniture (e.g. cupboards) and the like. To avoid risk of serious injury the distance between the top safety barrier and the adjoining structure shall not exceed 75mm or shall be more than 230 mm.
- **WARNING:** Do not use the bunk bed/high bed if any structural part is broken or missing.

# Care and maintenance

Here are some tips to keep your new bed in tip-top condition



## Cleaning

To clean your new bed, we'd advise using a warm damp cloth - please do not use abrasive chemicals or bleach as this may damage the product.



## Checking and moving

Periodically we recommend you check that the screws or fixtures haven't become loose, over time. To move your new bed, we recommend lifting it where possible, as dragging or pushing it could cause damage to your flooring.



## Wood

Please note each of our wooden pieces are unique, meaning that markings and shade can vary slightly between beds. Over a period of time, the wood might lighten or fade slightly due to light exposure.



## Fabric

Please note depending on the lighting, positioning and surroundings of your room, the shade of the colour can sometimes appear slightly different. Over a period of time, the colour might lighten or fade slightly due to light exposure.



## Metal

Metal tends to be more resilient to everyday wear and tear. We recommend to gently dust your metal furniture and keep it dry to maintain its look.

**Thank you for shopping with us - we hope you have a great night's sleep**

*Sleep well*



# Little dreamers

Keep the little ones entertained while you assemble your new purchase.



**Dreams**