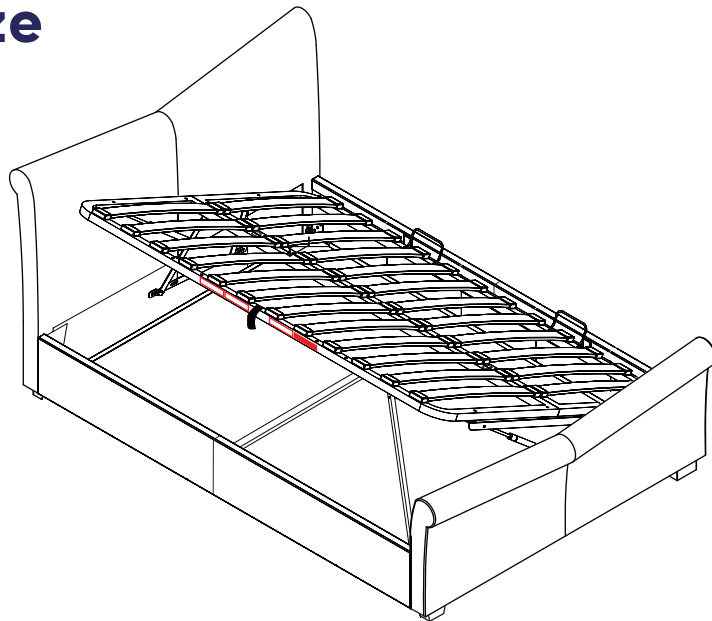


William Ottoman Bed with O.S.B.

Small Double Size

King Size



IMPORTANT OTTOMAN SAFETY WARNINGS

- **IMPORTANT - READ CAREFULLY - RETAIN FOR FUTURE REFERENCE**
- You must ensure that the mattress is on the bed frame before operating the lift mechanism - Failure to do so could result in injury.
- Keep hands clear of the mechanism when opening or closing the ottoman.
- Beware of entrapment - Never reach in through the mechanism to access the storage area.
- Always ensure that the ottoman is FULLY opened before accessing the storage area.
- Do not exceed the maximum weight as specified in the table below:

Bed	Bed Size	Min Weight (kg)	Max Weight (kg)
William	Single	20	45
	Small Double	30	50
	Double	30	60
	King	30	60



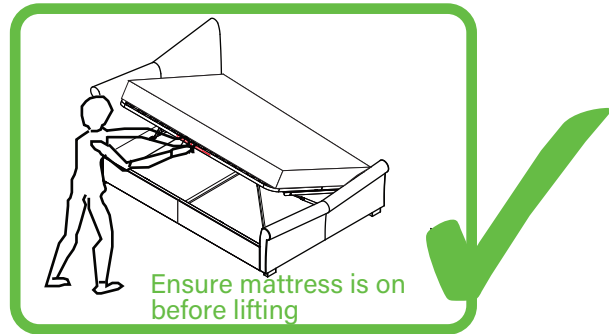
1.5 hour approx
assembly time



Two person
assembly

Dreams

IMPORTANT OTTOMAN SAFETY WARNINGS Cont.



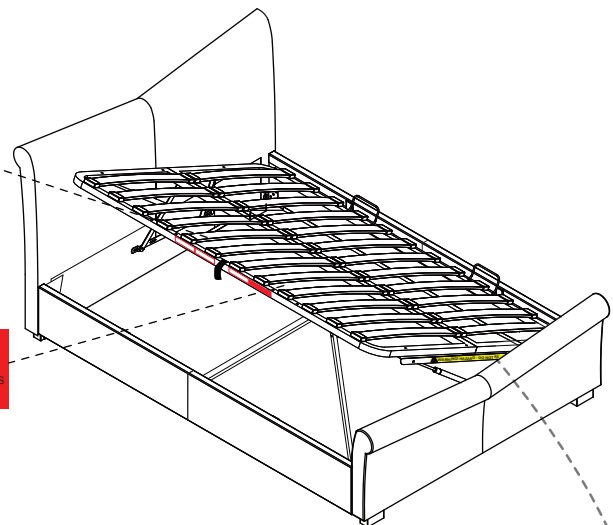
- Use caution when operating, always use the handle when lifting.
- **Note: This bed uses a pressurised mechanism.**
- To be operated by adults only.
- Please ensure that children and pets are kept away from the bed when operating the lift mechanism.
- Keep children and pets away from the storage area.
- Do not overload the internal storage base.
- Do not stand inside the internal storage area of the bed.
- Before removing the mattress secure the frame to ensure it does not open unexpectedly.
- Do not attempt to lie on the mattress when the ottoman is in the raised position.
- When lifting the ottoman, remove all bedding except the fitted sheet.

SAFETY WARNING
PLEASE DO NOT ALLOW CHILDREN OR PETS INSIDE THE STORAGE AREA.

SAFETY WARNING
PLEASE BE CAREFUL WHEN LIFTING. ONLY LIFT WITH MATTRESS ON TOP. TO BE OPERATED BY ADULTS ONLY.

WARNING: ONLY USE THE HANDLE TO LIFT & LOWER THE BED FRAME TO AVOID TRAPPING FINGERS!

TO AVOID ACCIDENTS
TO ACCESS THE STORAGE AREA THE OTTOMAN FRAME **MUST BE FULLY OPENED** AND THEN **FULLY CLOSED** AFTERWARDS



! WARNING! HAZARD - DO NOT REACH INTO THE SPACE BELOW!

Ottoman Beds - Important Safety Features

Our aim is always to give you the best experience and to ensure every effort has been made to guarantee your comfort and safety. Please take time to look at these instructions as they will help remind you how to operate your ottoman bed safely.

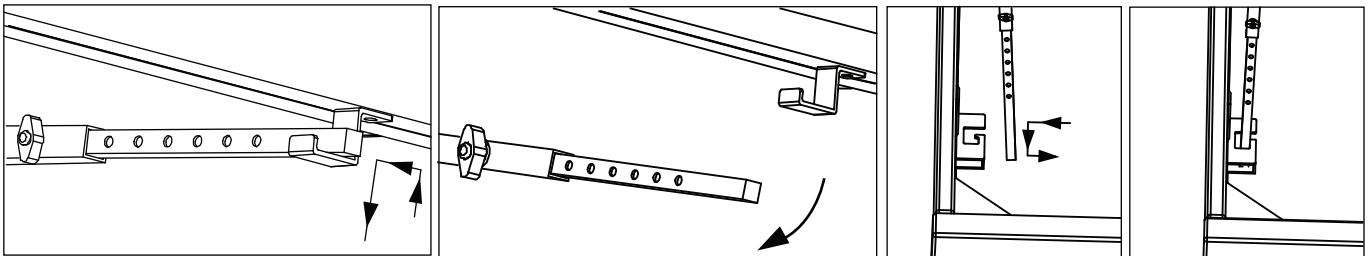
Here's a few things you need to remember;

- ✓ **Pistons are already assembled in their correct orientation - this improves piston performance and durability.**
- ✓ **"Break in " the piston seals on first use by raising & lowering the platform at least five times.**
- ✓ **Recommended mattress weights - do not exceed the maximum relevant weight specified on the Assembly Instruction.**
- ✓ **Ottoman support bar - always engage the support bar when accessing the ottoman storage area.**

Read all the instructions before using your Ottoman bed-frame and save the instruction booklet for future reference.

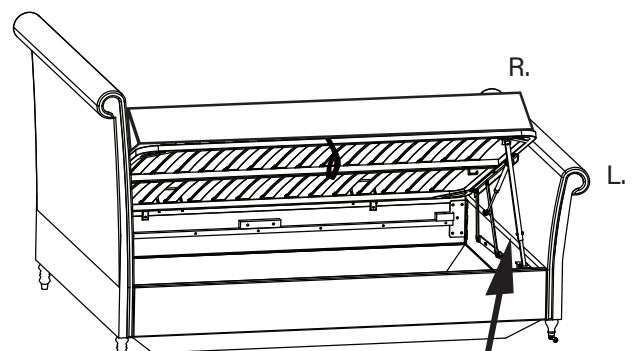
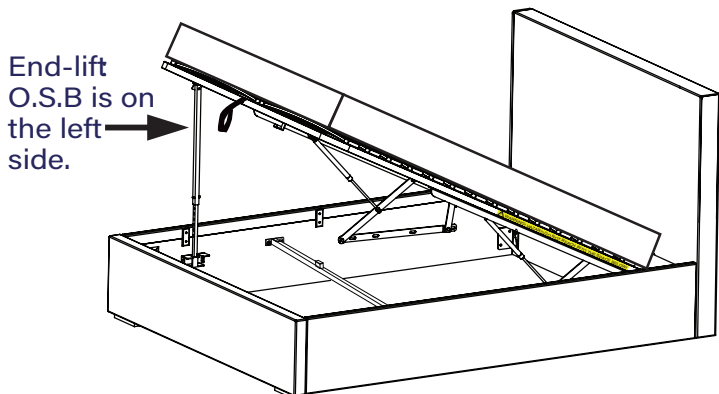
Ottoman Support Bar (O.S.B.)

For optimal safety during operation, always ensure the O.S.B. is engaged when accessing the ottoman storage area.



1. Always raise the ottoman slat-frame to it's highest position before using the storage area.
Locate the end of the O.S.B and insert into the fixed retaining bracket on the bed frame.
2. When you are ready to lower the ottoman platform, return the O.S.B to its original parking position.
3. Always ensure that the O.S.B is in position when the ottoman is open, this prevents injury, or damage to the product.

Location of the O.S.B



WARNING! Risk of Entrapment

- The pistons on the ottoman bed frame can support a maximum load (evenly spread) as indicated in the Minimum and Maximum load table, in the main Assembly Instruction.
- Overloading the sleeping platform may contribute to damage to the product resulting in potential serious injury.
- Do not sit on the mattress whilst the platform is in motion or is in the raised position.
- Users should only get in and out of bed when platform is in the flat (horizontal) position.

Thank you

Hello, thanks for choosing to purchase your bed from Dreams - you're now on your way to your best ever night's sleep. Before you begin building your bed, please take a moment to read through the instructions and make sure that you've got all the relevant parts listed on the following pages.



Assembly tips

Before you begin, it's best to identify all parts and fittings to build your bed. We advise laying these out on the floor to check you have everything, and familiarising yourself before building.



Top tip

We recommend that you build your new bed in the room you'd like it to be located - this will help prevent any risk of damage to your newly built bed whilst moving it.



Safety and care

It's really important to ensure children and animals are kept away from the assembly area, as there are small components used in this bed which could present a choking hazard. All plastic and wrapping materials should also be kept away from children and animals to prevent any risk of suffocation. To keep your little ones busy, there is a colouring page inside the back cover.



Help and support

At Dreams, it's our mission to give the whole nation a great night's sleep - this means that the quality of our products is of utmost importance to us. If there are any issues with your product or any missing parts, please contact our Help Centre on 0800 652 6750, where a member of our team will be happy to help. (For customers based in Northern Ireland, please call 028 9050 8300)



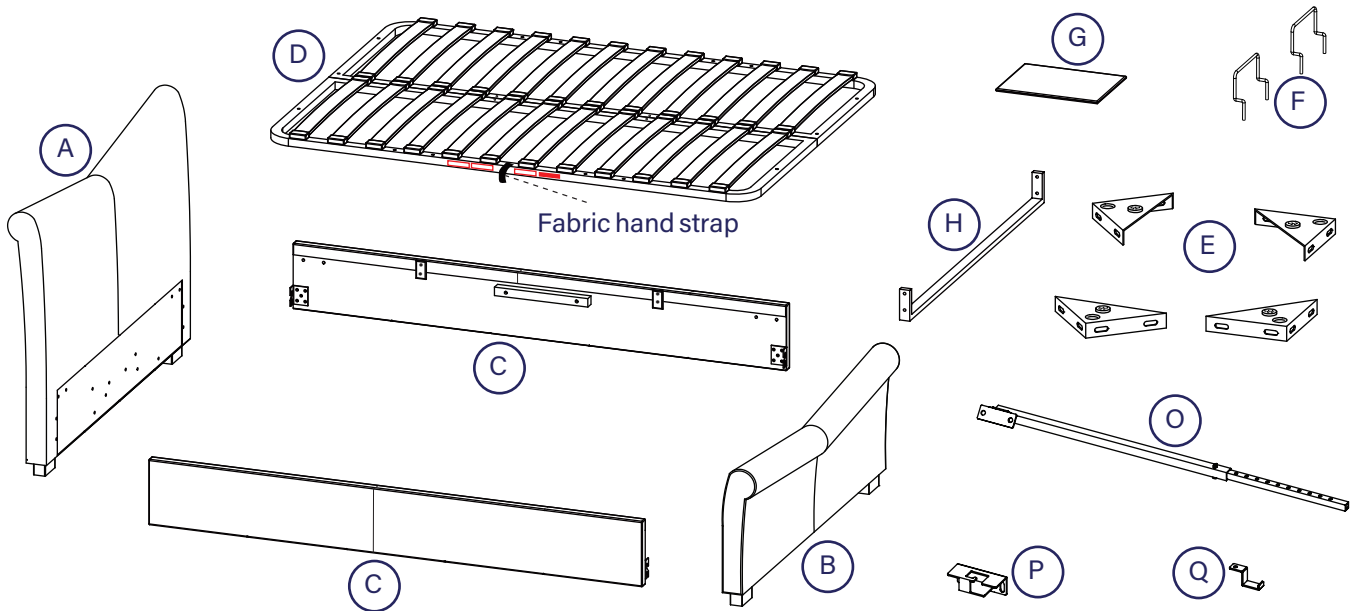
Recycling

Please ensure that packaging is disposed of in a safe and environmentally friendly way, and recycle where possible. Our assembly instructions are printed on recycled paper. Please keep your assembly instructions safe to refer back to in the future.

Parts

Important information

The bed you have purchased comes with an Ottoman lift up base, please follow the instructions below in the current order. Before you begin building your bed, please take a moment to read through the instructions and make sure that you've got all the relevant parts listed on the following pages.



Parts list

Code	Description	Qty	Box	Code	Description	Qty	Box
A.	Headboard	1	1	G.	Fabric base cover	1	1
B.	Footboard	1	3	H.	'U' shaped cross bar	1	4
C.	Side Rails	2	2		Ottoman support bar PACK (O.S.B.)		
D.	Metal lift up slat frame	1	4	O.	Ottoman support bar	1	4
E.	Angle Brackets	4	4	P.	Fixed retaining bracket - footboard	1	4
F.	Mattress Stoppers	2	4	Q.	Parking bracket - slat-frame	1	4

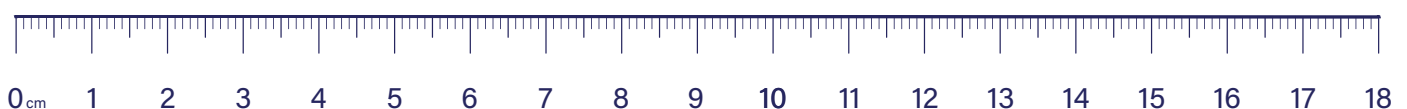
Tools required



Tape measure



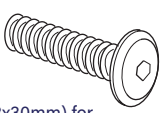


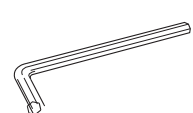
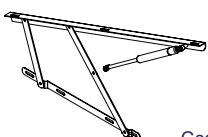

Cross head screwdriver



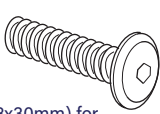


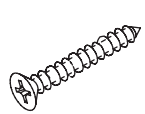
Fittings

Please check you have all the parts listed below with your product:




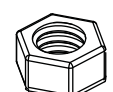
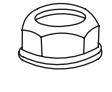

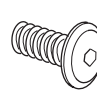

Hardware needed for fitting gas-lift mechanisms packed in side rails pack 2 - hardware pack (A)

<p>a x8</p>  <p>Bolts (M8x30mm) for fitting gas-lift mechanisms (m) to headboard & footboard (A&B)</p>	<p>b x8</p>  <p>Spring washer for M8 bolts</p>	<p>c x8</p>  <p>Flat washer for M8 bolts</p>	<p>d x1</p>  <p>Allen key for M8 bolts</p>
<p>m(a) x1</p>  <p>m(b) x1</p>  <p>Gas-lift Mechanisms</p>			



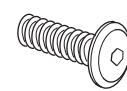
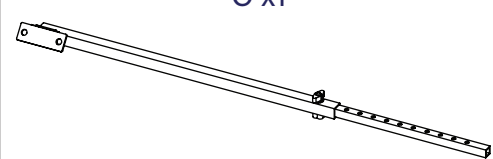
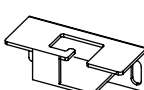
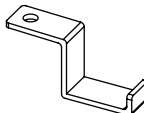
Hardware needed for bed assembly packed in side rails pack 2 - hardware pack (B)

<p>a x24</p>  <p>Bolts (M8x30mm) for fitting side rails (C) to headboard & footboard (A&B)</p>	<p>b x24</p>  <p>Spring washer for M8 bolts</p>	<p>c x24</p>  <p>Flat washer for M8 bolts</p>	<p>k x4</p>  <p>Screws (5x50mm) for fitting 'U' shaped cross bar (H) to side rails (C)</p>
---	--	--	---

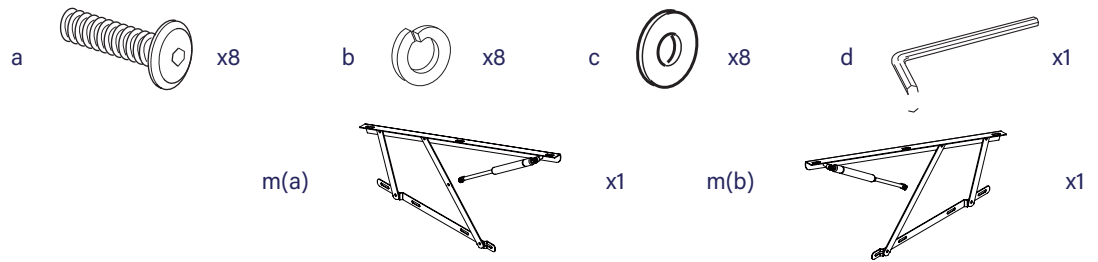
Hardware needed for fitting metal slat frame packed in side rails pack 2 - hardware pack (C)

<p>b x6</p>  <p>Spring washer for M8 bolts</p>	<p>c x16</p>  <p>Flat washer for M8 bolts</p>	<p>e x6</p>  <p>Bolts (M8x50mm) for fitting metal slat frame (D) to gas-lift support bars</p>	<p>f x6</p>  <p>Nuts for M8 bolt</p>	<p>g x2</p>  <p>Flanged lock-nuts (M8) for gas-lift pistons</p>
<p>h x1</p>  <p>Spanner for M8 nut</p>	<p>j x4</p>  <p>Bolts (M8x20mm) for fitting metal connection plates (l) to metal slat frame (D)</p>	<p>l x2</p>  <p>Metal connection plates</p>		

Hardware needed for fixing ottoman support bar (O.S.B) to the slat frame Packed in the ottoman carton, inside Pack 4 - hardware pack (D)

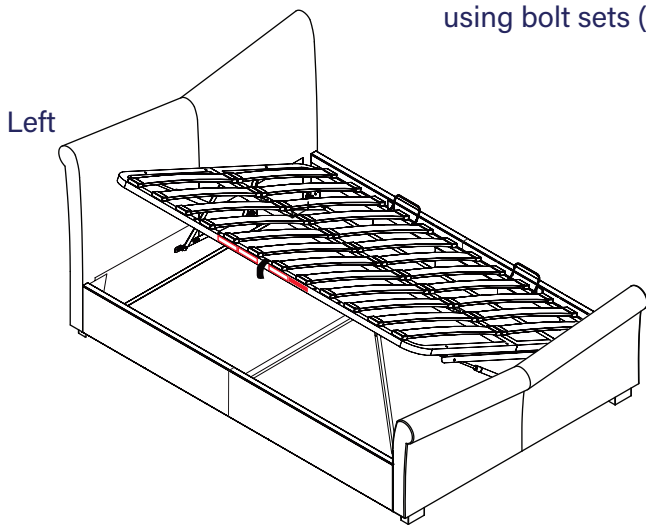
<p>b x5</p>  <p>Spring washer for M8 bolts</p>	<p>c x5</p>  <p>Flat washer for M8 bolts</p>	<p>m x5</p>  <p>Bolts (M8x25mm) for fitting ottoman support bar</p>	<p>O x1</p>  <p>Ottoman support bar</p>
<p>P x1</p>  <p>Fixed retaining bracket - footboard</p>	<p>Q x1</p>  <p>Parking bracket - slat frame</p>		

1a Fitting Gas-Lift Mechanisms - Use Pack 'A'

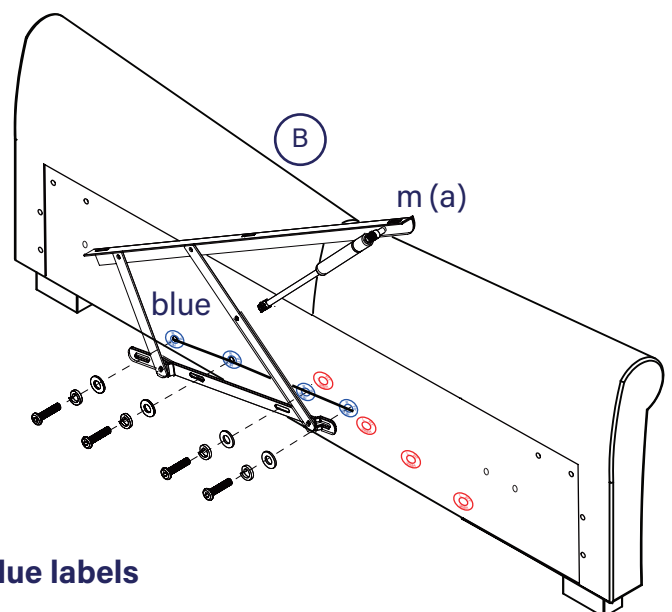
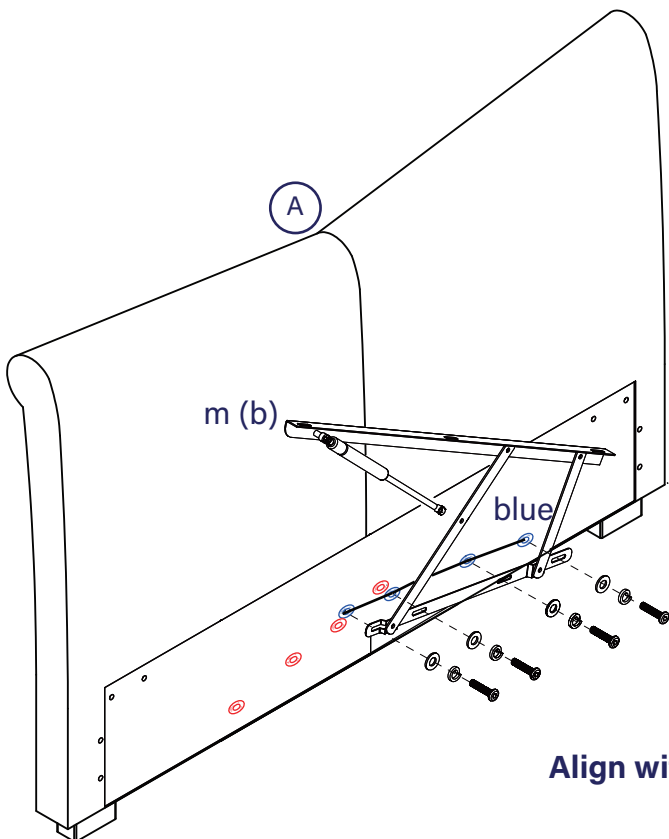
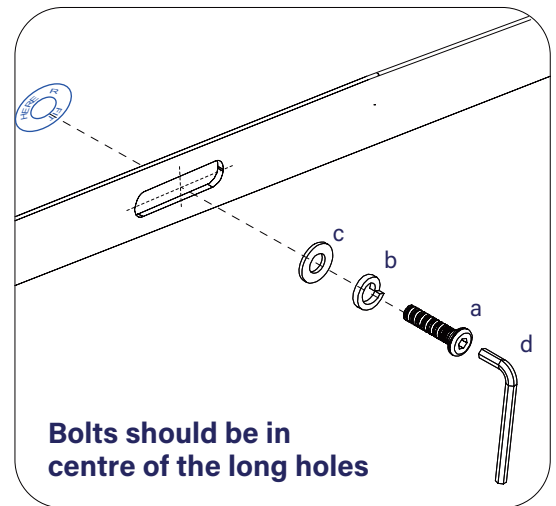


Choose from which side of bed you would like to access the storage area.

Check the diagram and if access is needed from left side of bed, fit both lift mechanisms to RIGHT side of the headboard & footboard using bolt sets (a, b & c). Bolt into the holes marked (R) with blue labels.

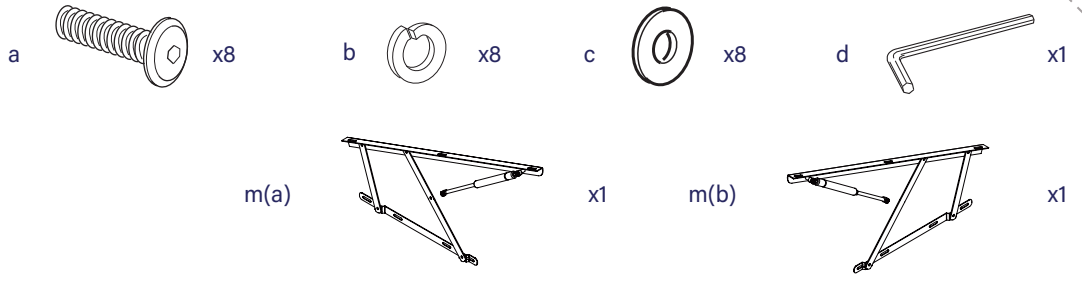


The mechanisms are labeled m(a) & m(b) please carefully follow the diagram below.



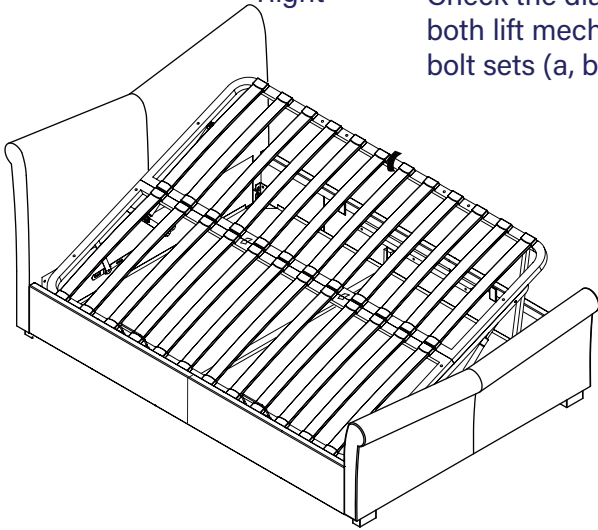
Align with blue labels

1b

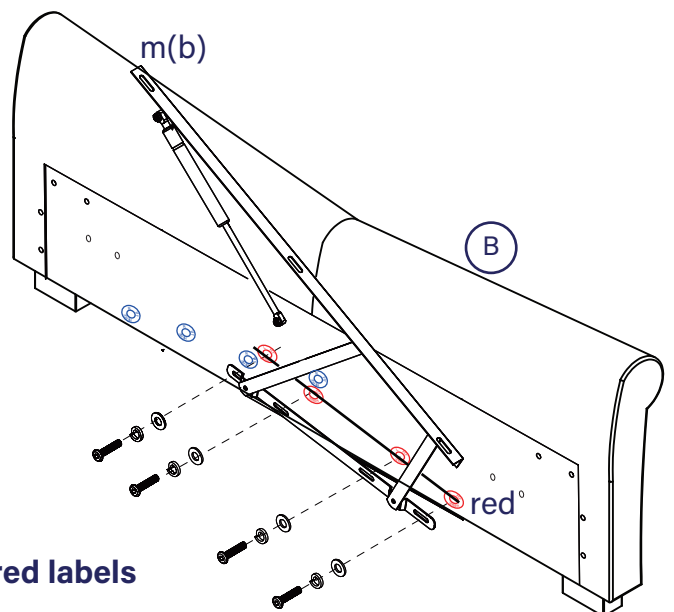
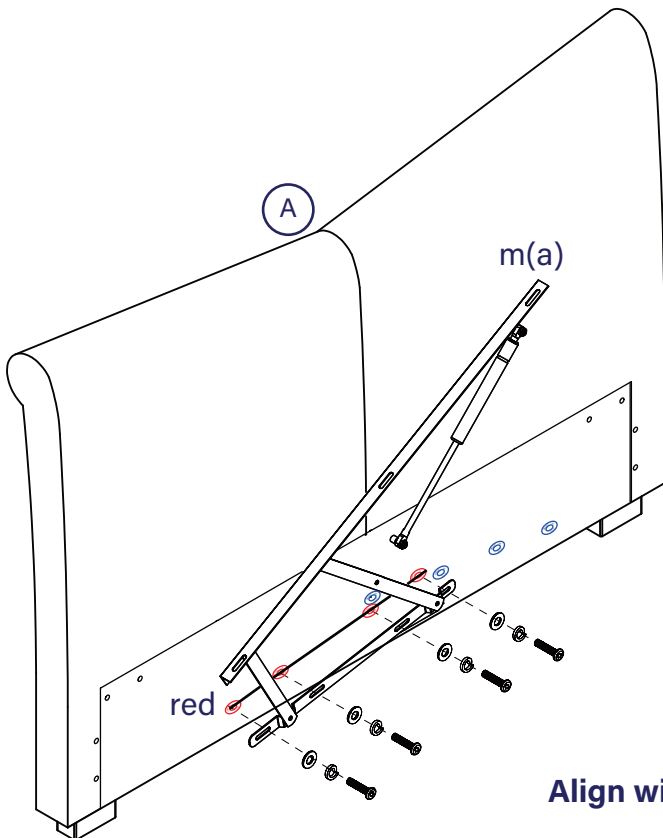
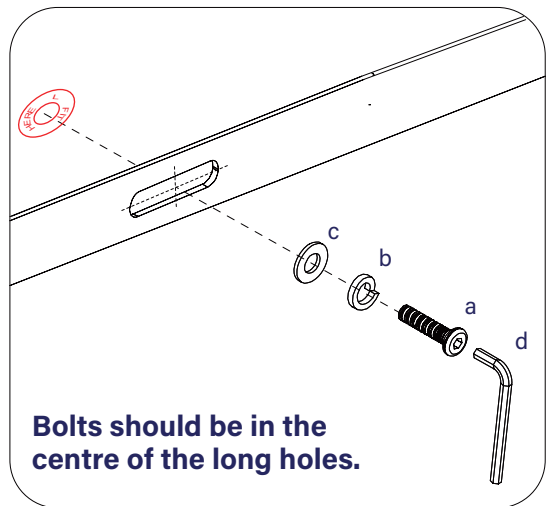


Right

Check the diagram and if access is needed from right side of bed, fit both lift mechanisms to LEFT side of the headboard & footboard using bolt sets (a, b & c). Bolt into the holes marked (L) with red labels.



The mechanisms are labeled m(a) & m(b) please carefully follow the diagram below.



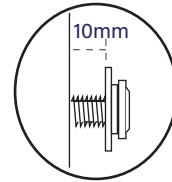
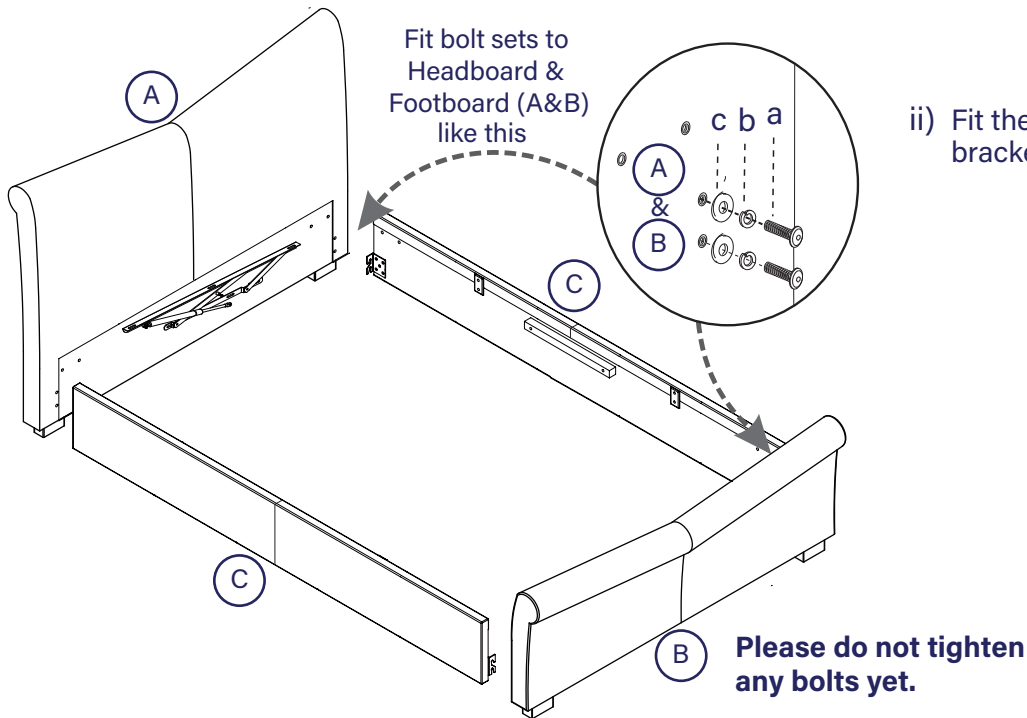
Align with red labels

2 Bed Assembly - Use Pack 'B'

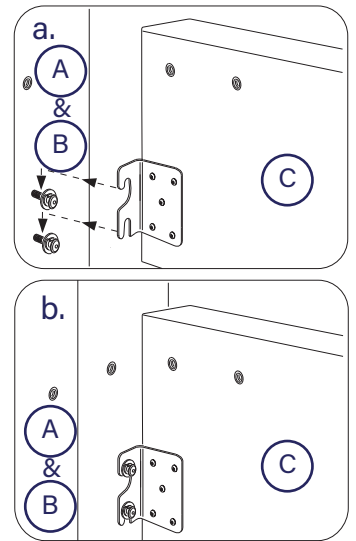


i) Loosely insert two sets of bolt sets (a, b & c) into each side of headboard & footboard.

Note: Do not tighten fully but leave 10mm protruding as in the diagram.



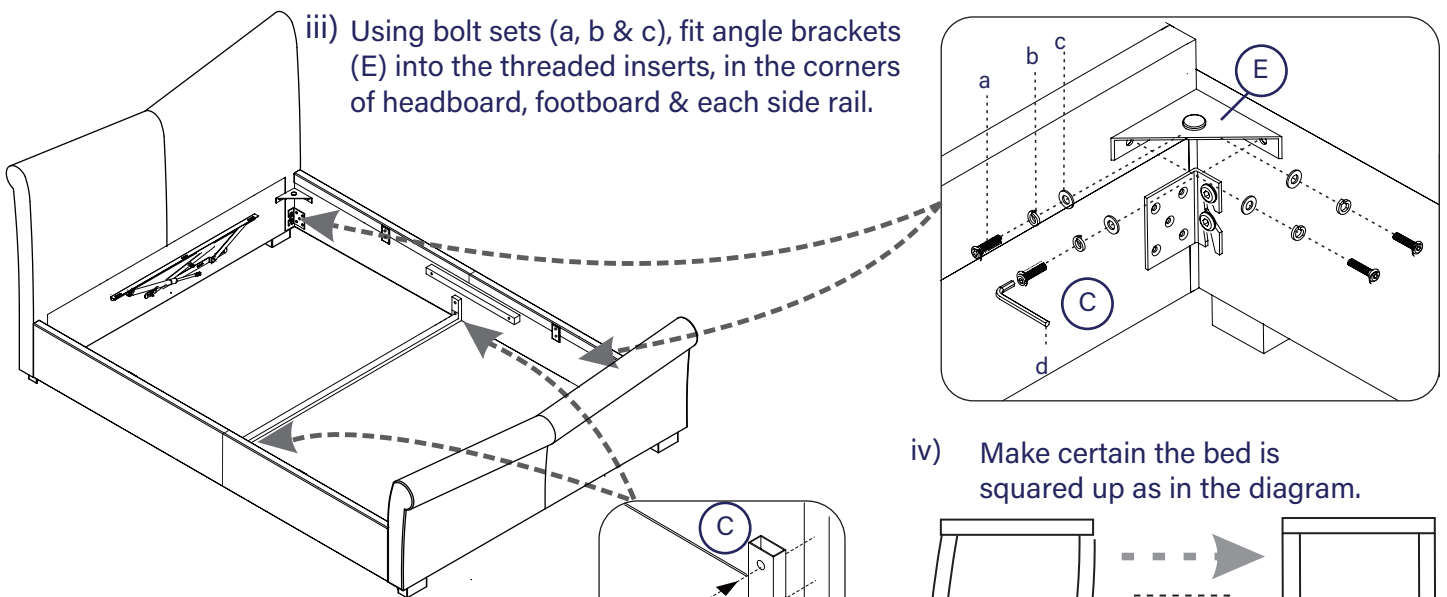
ii) Fit the side rails locating the brackets behind the flat washers.



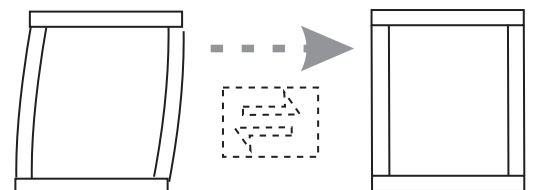
3



iii) Using bolt sets (a, b & c), fit angle brackets (E) into the threaded inserts, in the corners of headboard, footboard & each side rail.



iv) Make certain the bed is squared up as in the diagram.



v) Fit the 'U' shaped cross bar (H) to centre of each side rail (C). Line up the ends of the bar between the two marked lines & fix into the side rails using screws (k). Note the screws drive straight into the side rail itself, there are no pilot holes.

vi) Once all four corners are located tighten all the bolts using the Allen key (d).

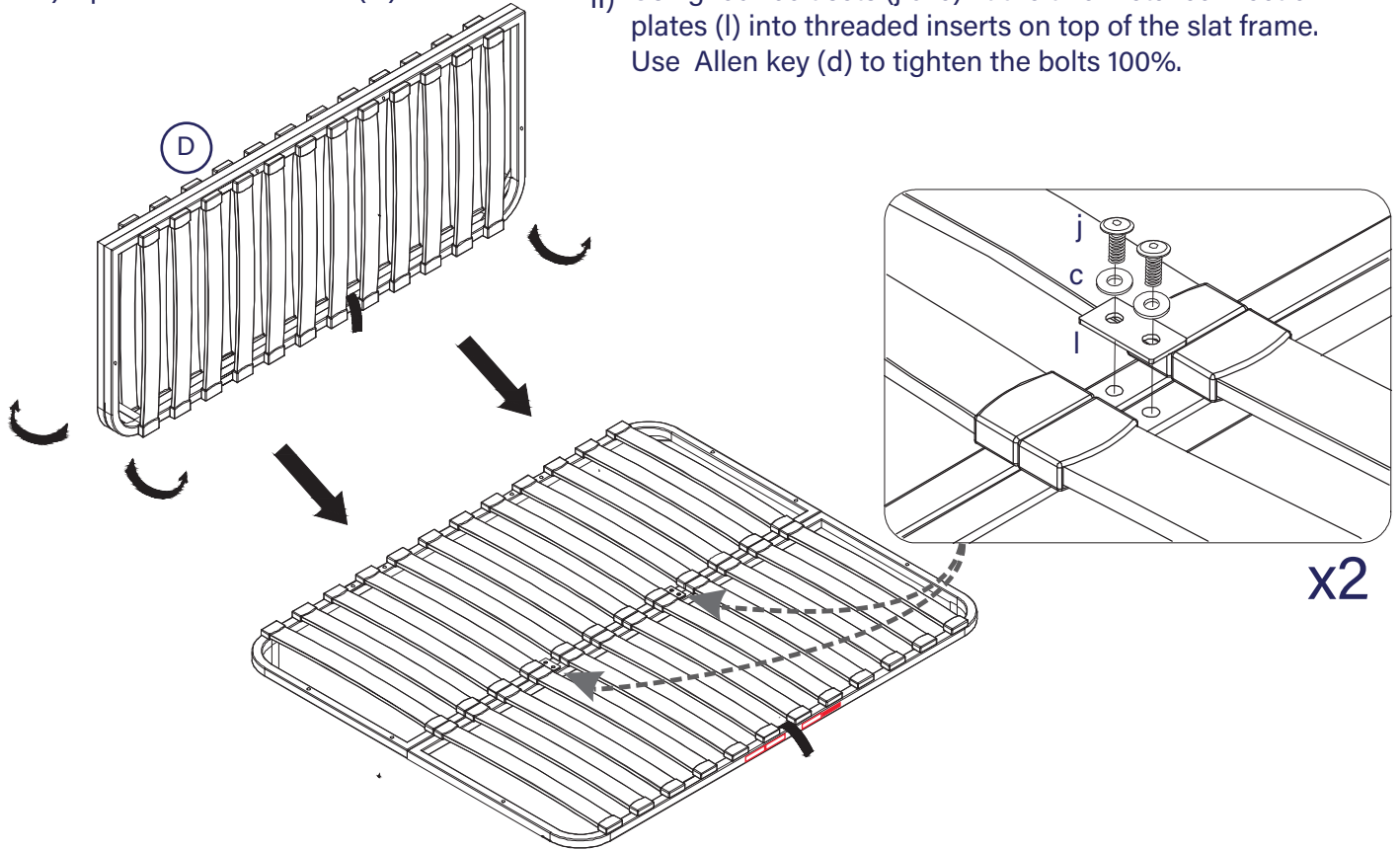
Fitting Slat Frame - Use Pack 'C'

4

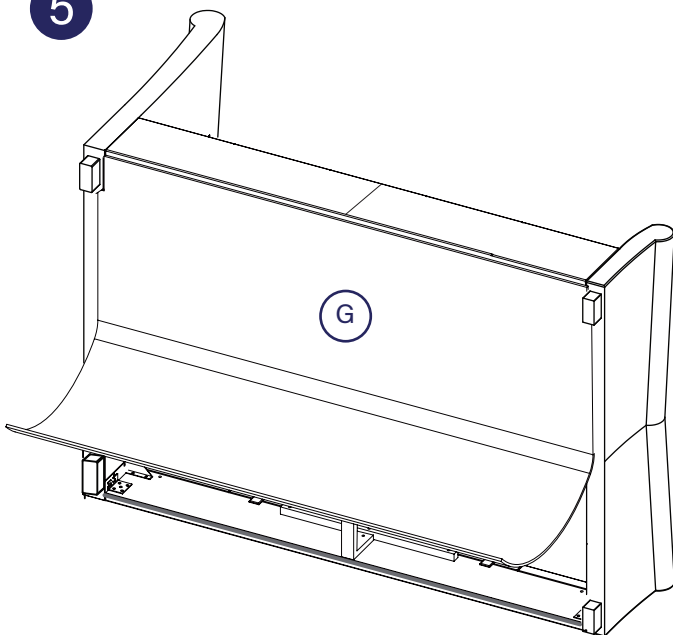


i) Open metal slat frame (D)

ii) Using four bolt sets (j & c) fit the two metal connection plates (l) into threaded inserts on top of the slat frame. Use Allen key (d) to tighten the bolts 100%.

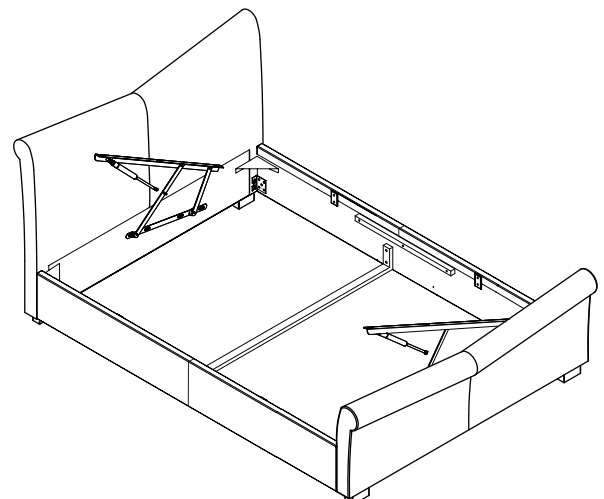
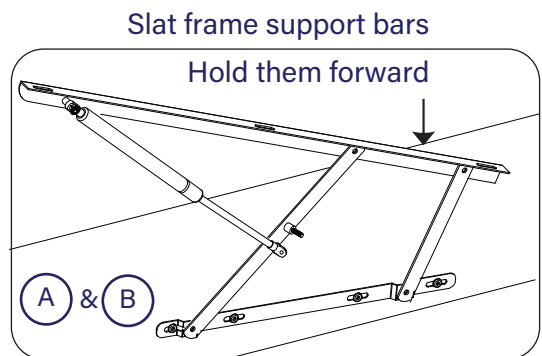


5

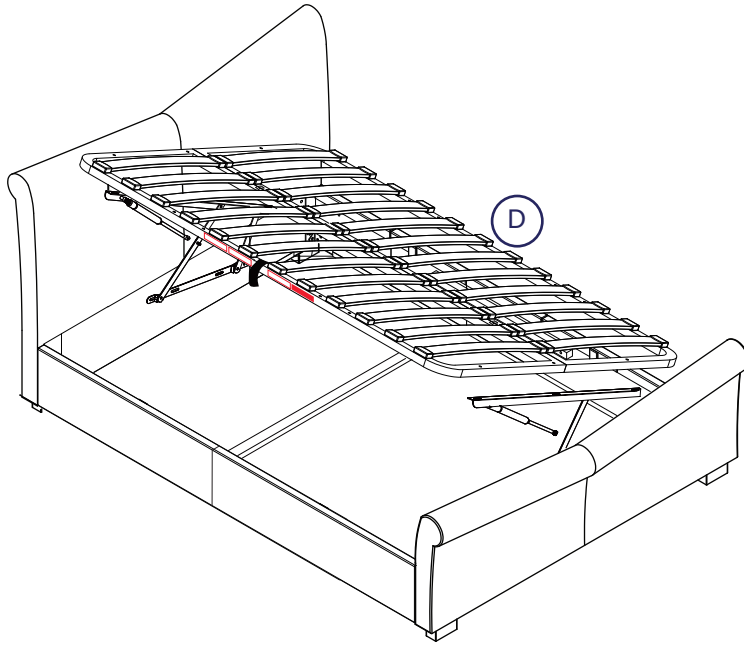
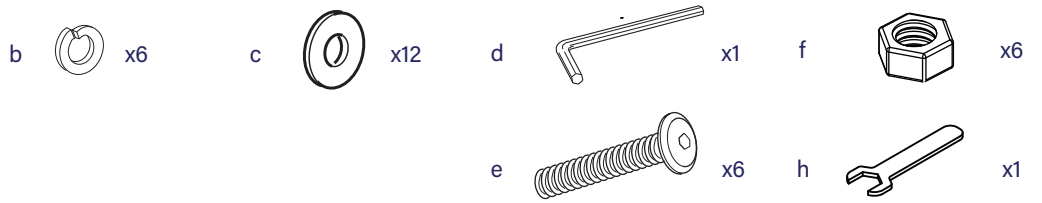


Turn the bed on its side and attach the fabric base cover (G) to the bottom of the headboard, footboard & side rails using the velcro tape. Make sure the fabric is fixed evenly all round.

6

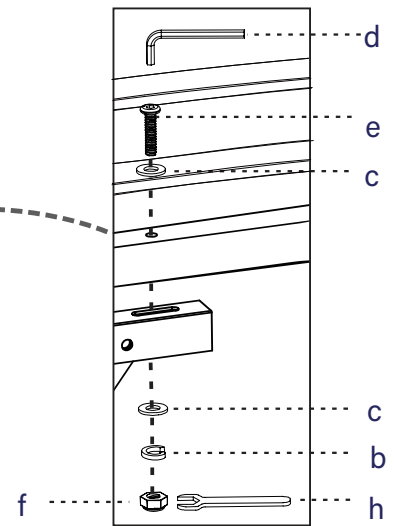
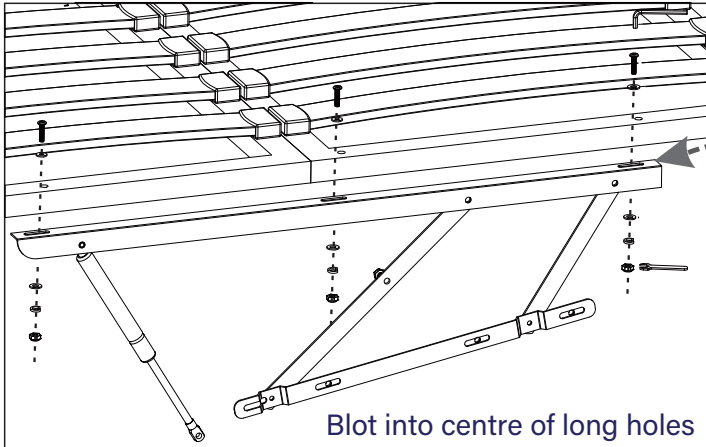


7



Please note: Make sure the holes for mattress stoppers are on the correct side of the slat frame before bolting frame to the support bars.

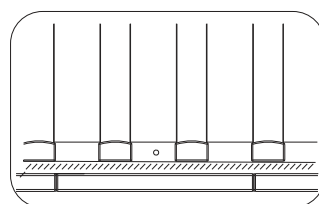
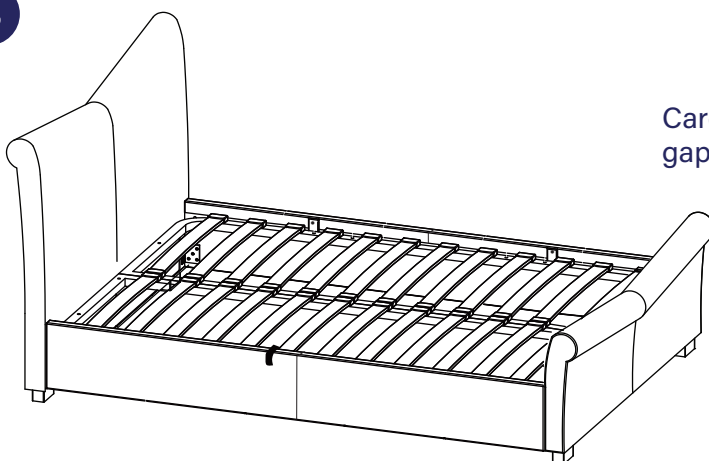
- i) With help, lift slat frame (D) onto the support bars.
- ii) Using three bolt sets on each side, (e, c, c & b & f), loosely fix the slat frame to the six holes.



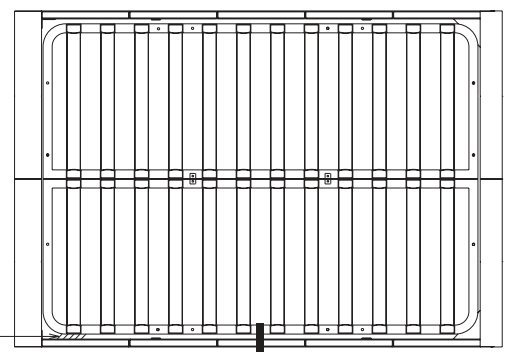
8



Carefully lay frame down. Make sure there is an even gap each side of about 8mm, as in the sketch.



8mm

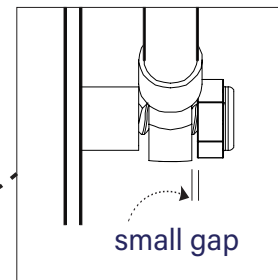
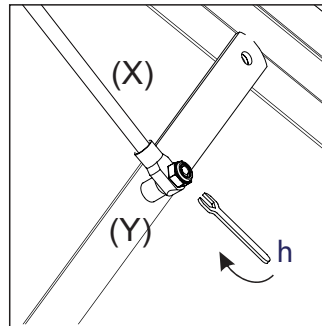
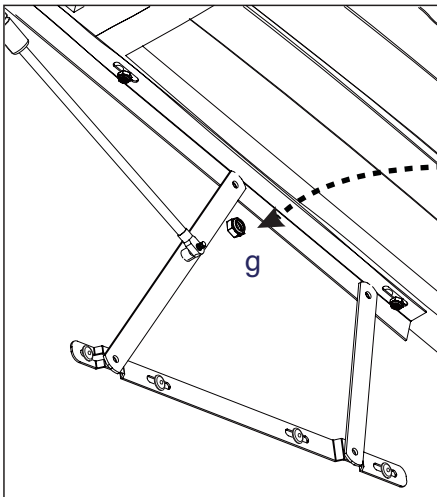
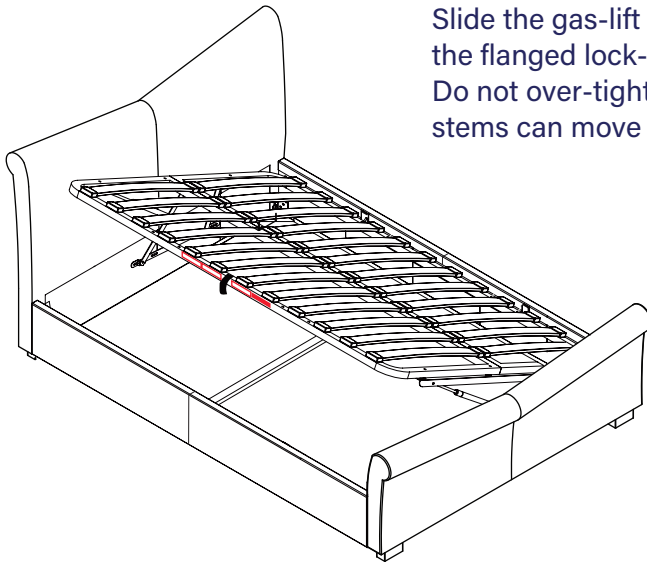


Holding the frame, tighten all six bolt sets 100% using spanner (h) & Allen key (d).

9

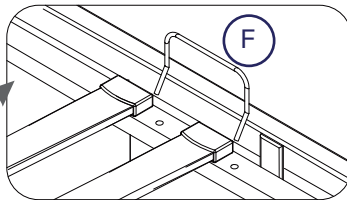
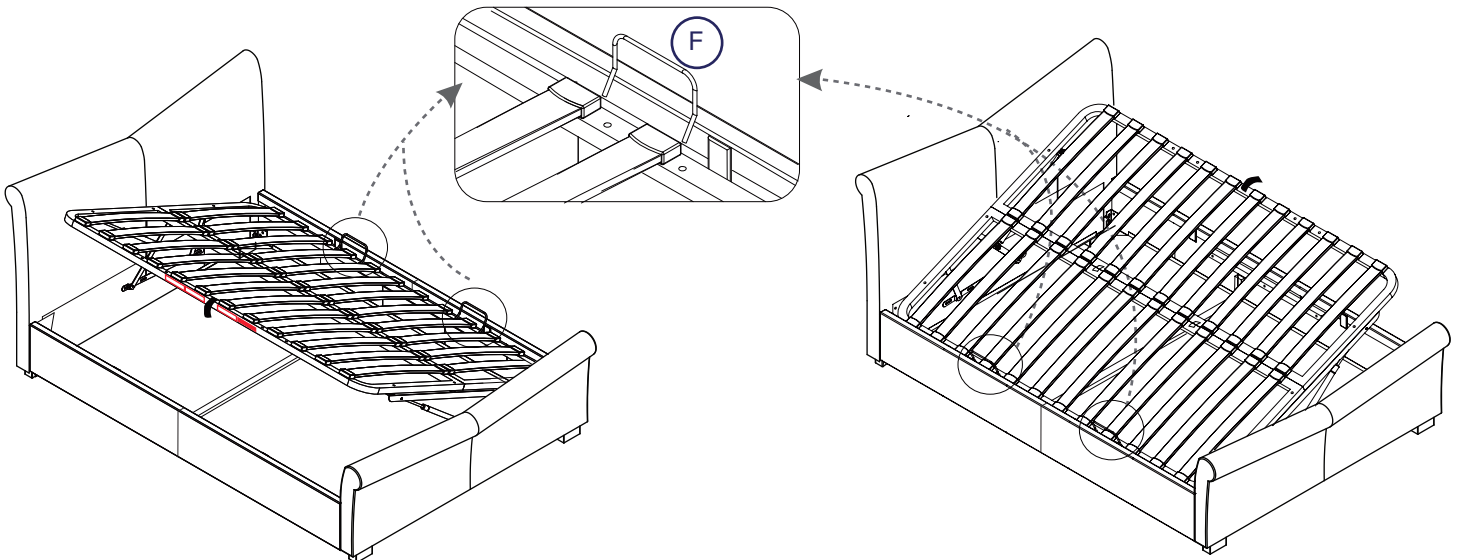
g  x2 h  x1

Slide the gas-lift piston stems (X) onto the axles (Y) then fit the flanged lock-nuts (g), tightening with spanner (h). Do not over-tighten the nuts as a small gap is left so the stems can move freely - this is normal - see sketch below.



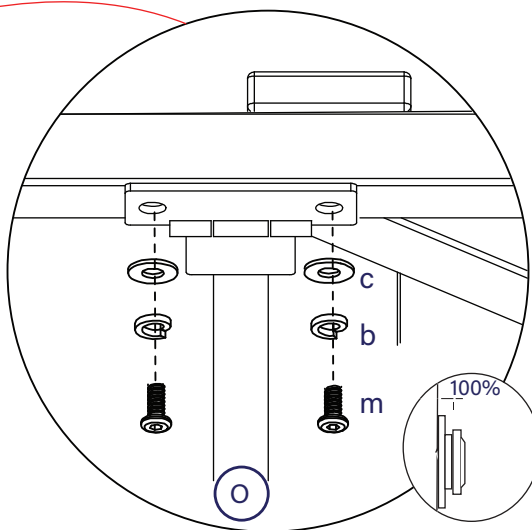
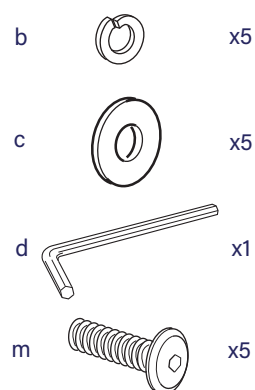
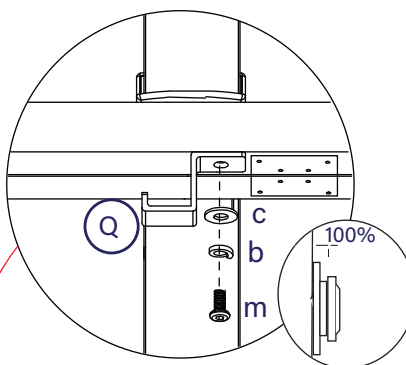
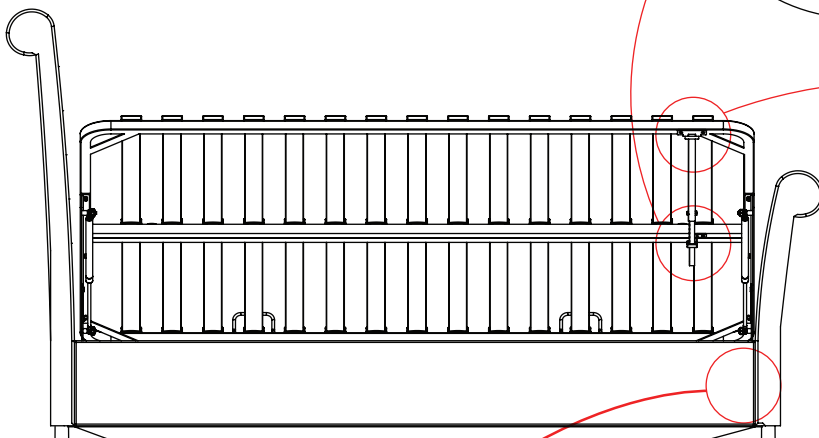
10

Push x2 Mattress Stoppers (F) into metal frame, they should go all the way through the upper & lower metal sections.

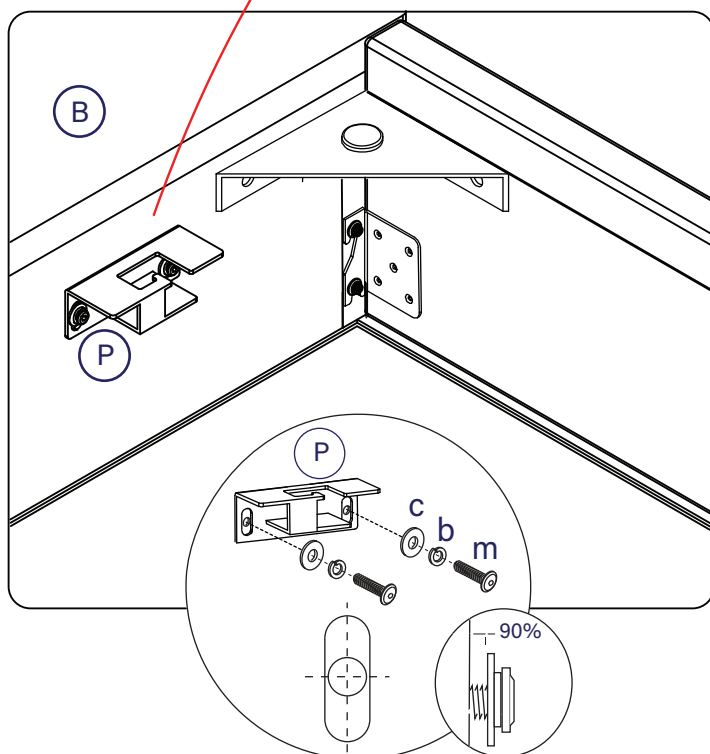


11 Unpack the contents of the Ottoman Support Bar (O.S.B.) from its carton - this is packed inside Pack 4.

i) To the underneath of the slat frame, fit the parking bracket (Q). This is used to safely keep the support bar out of the way when not in use. Use one bolt set (m, b & c) - please make sure the bracket is fitted the correct way round as shown. Screw into the threaded insert on the underside of the frame.



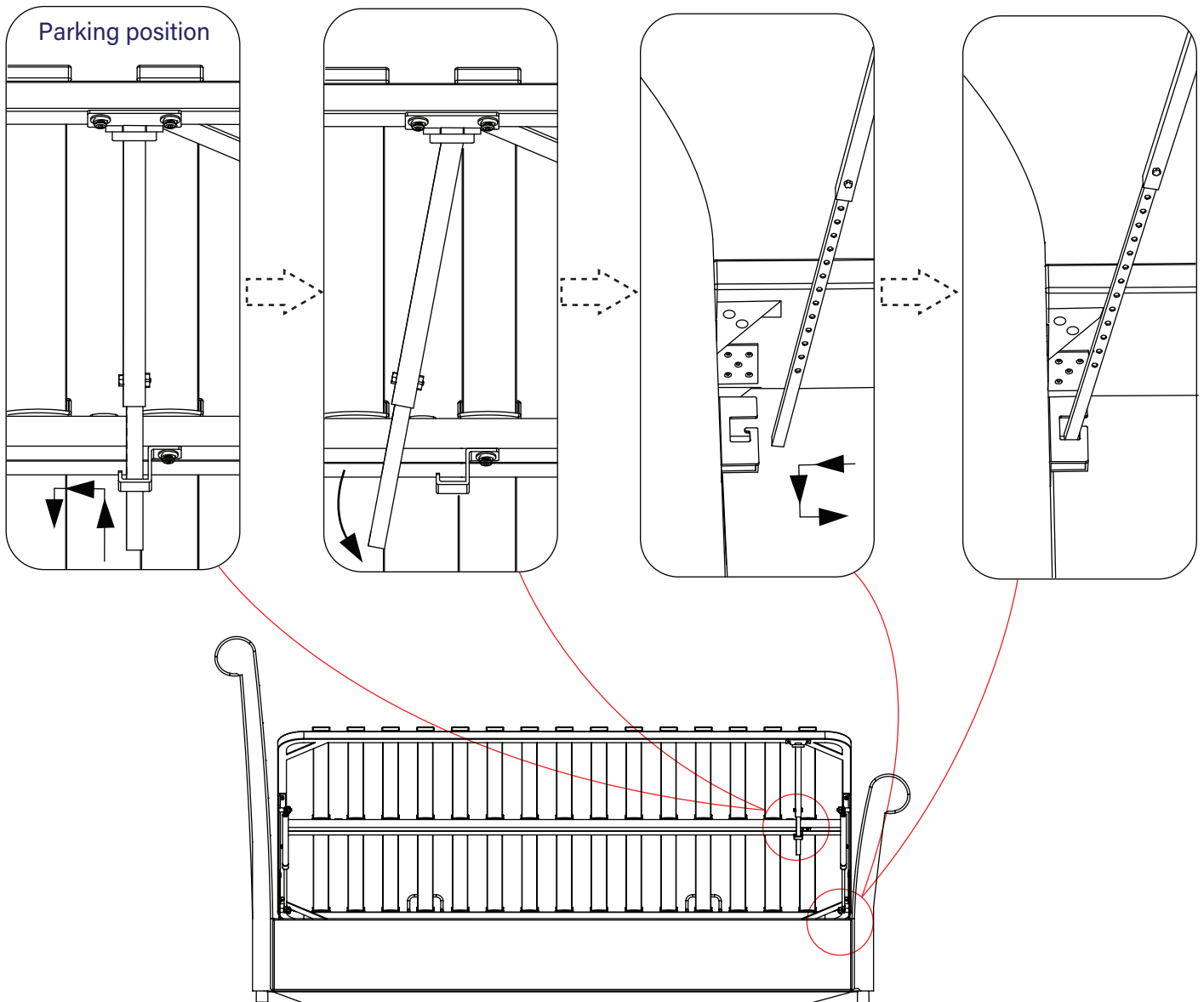
ii) To the underneath of slat frame, fit the O.S.B. support bar (O) as shown. Using two bolt sets (m, b & c), screw the bolts into the threaded inserts on the underside of the frame. **Please do tighten 100% yet.**



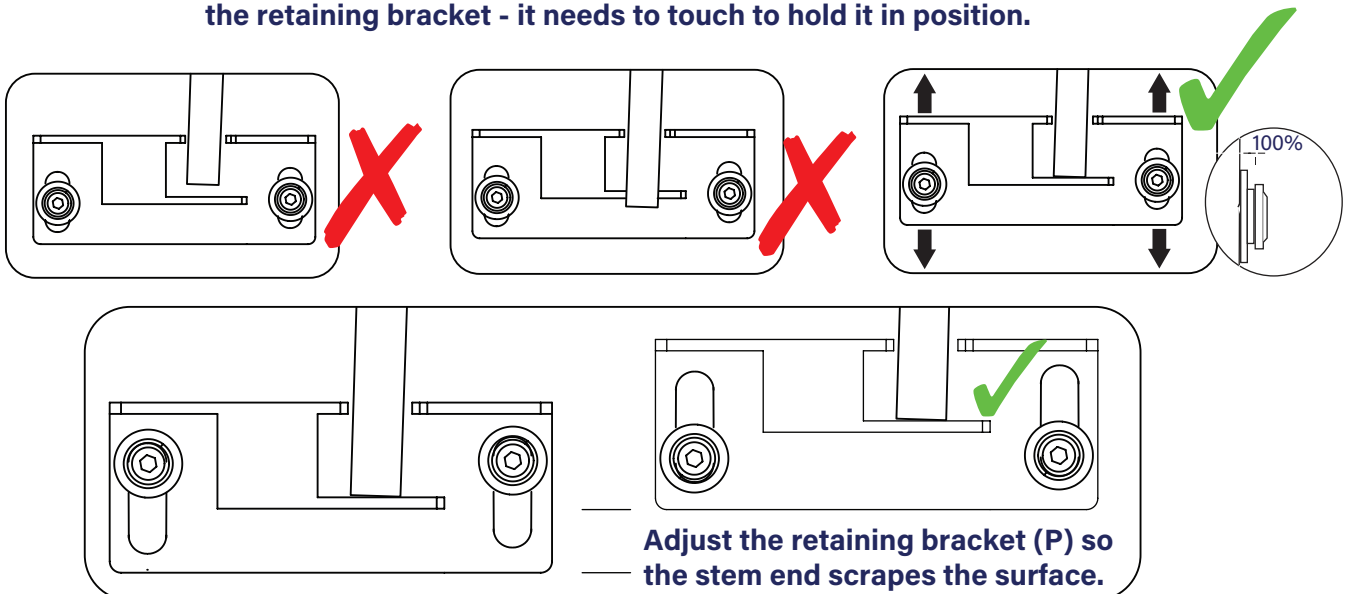
iii) Fit the fixed retaining bracket (P) to the footboard using two bolt sets (m, b & c). Screw the bolts into the threaded inserts on the footboard. Make certain the bracket is level and at the correct height. **Please do not tighten 100% yet.**

iv) The bolts should be in the centre of the long holes and one may need to slide the inner bar and the bracket, up or down so the bottom of the O.S.B. stem just touches the surface - better to do this AFTER the mattress is fitted.

12 Setting the inner stem of the support bar (O), adjust the inner stem to the correct length.



Set the inner stem to the correct length so the end just touches the retaining bracket - it needs to touch to hold it in position.



Technical Specifications

Overall Dimensions (LWH cm)

Small Double: 222 x 130 x 107

King: 232 x 160 x 107

Storage Dimensions (LWH cm)

Small Double: 193 x 122 x 22

King: 203 x 152 x 22

Ottoman Gas Lift Piston rating:

Small Double & King: 750n

Slat Dimensions (LWH cm)

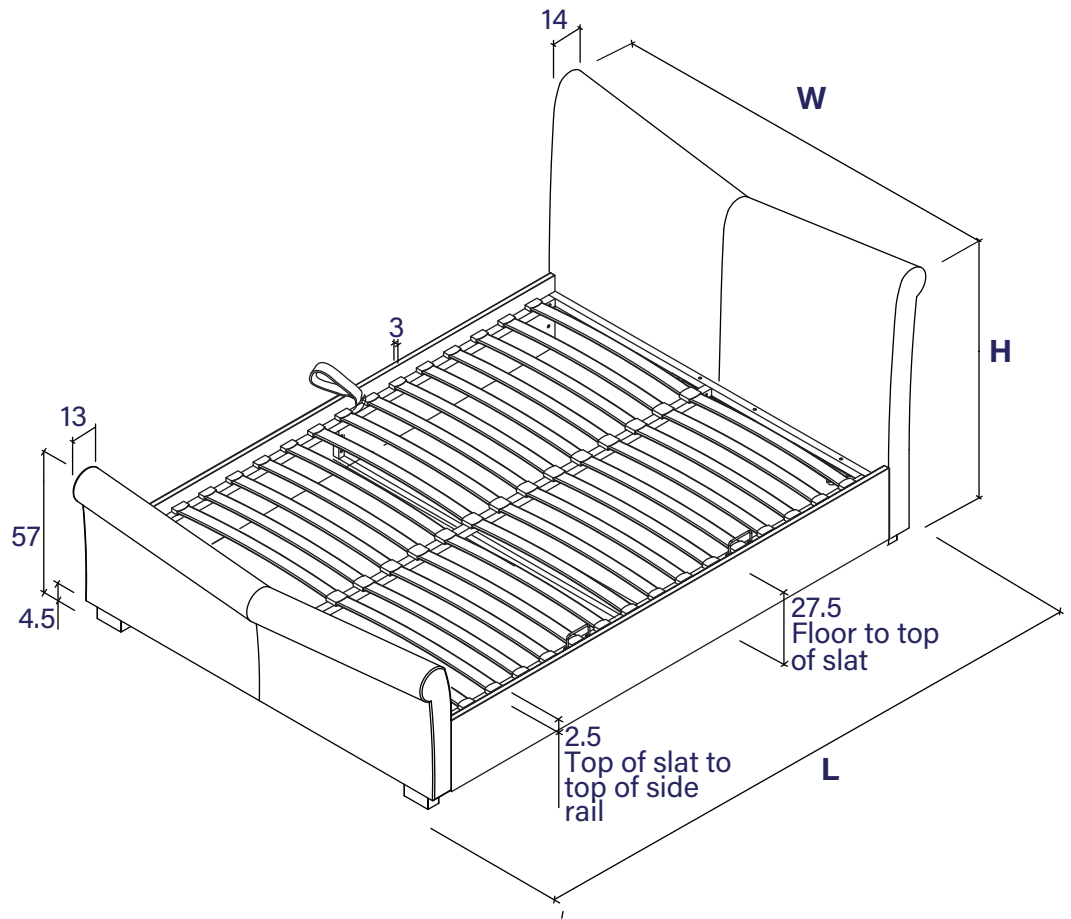
Small Double: 59.5 x 5.3 x 0.9

King: 74.5 x 5.3 x 0.9

Distance between slats (cm)

Small Double: 9.3

King: 8.3



Care and maintenance

Here are some tips to keep your new bed in tip-top condition



Cleaning

To clean your new bed, we'd advise using a warm damp cloth or if fabric, remove dust using a low suction vacuum cleaner - please do not use abrasive chemicals or bleach as this may damage the product.



Checking and moving

Periodically we recommend you check that the screws or fixtures haven't become loose, over time. To move your new bed, we recommend lifting it where possible, as dragging or pushing it could cause damage to your flooring.



Wood

Please note each of our wooden pieces are unique, meaning that markings and shade can vary slightly between beds. Over a period of time, the wood might lighten or fade slightly due to light exposure.



Fabric

Please note depending on the lighting, positioning and surroundings of your room, the shade of the colour can sometimes appear slightly different. Over a period of time the colour might lighten or fade slightly due to light exposure.



Metal

Metal tends to be more resilient to everyday wear and tear. We recommend to gently dust your metal furniture and keep it dry to maintain its look.

Thank you for shopping with us - we hope you have a great night's sleep

Sleep well

Little dreamers

Keep the little ones entertained while you assemble your new purchase.

