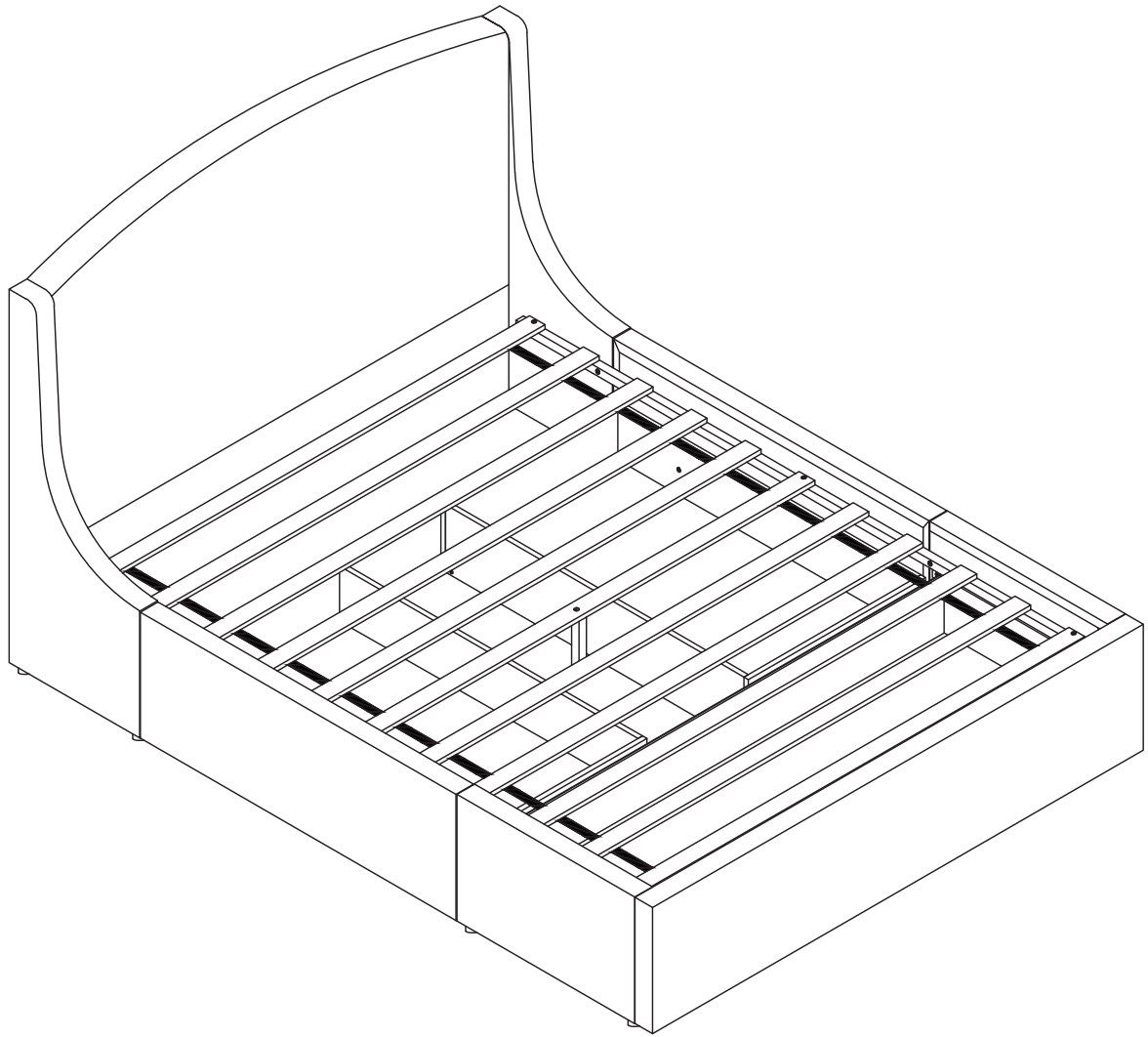


Vermont Drawer Storage Bed



1.5 hour approx
assembly time



Two persons
assembly

Dreams

Love your bed

MK1 240915

Thank you

Hello, thanks for choosing to purchase your bed from Dreams - you're now on your way to your best ever night's sleep. Before you begin building your bed, please take a moment to read through the instructions and make sure that you've got all the relevant parts listed on the following pages.



Assembly tips

Before you begin, it's best to identify all parts and fittings to build your bed. We advise laying these out on the floor to check you have everything, and familiarising yourself before building.



Top tip

We recommend that you build your new bed in the room you'd like it to be located - this will help prevent any risk of damage to your newly built bed whilst moving it.



Safety and care

It's really important to ensure children and animals are kept away from the assembly area, as there are small components used in this bed which could present a choking hazard. All plastic and wrapping materials should also be kept away from children and animals to prevent any risk of suffocation. To keep your little ones busy, there is a colouring page inside the back cover.



Help and support

At Dreams, it's our mission to give the whole nation a great night's sleep - this means that the quality of our products is of utmost importance to us. If there are any issues with your product or any missing parts, please visit our website at www.dreams.co.uk/help



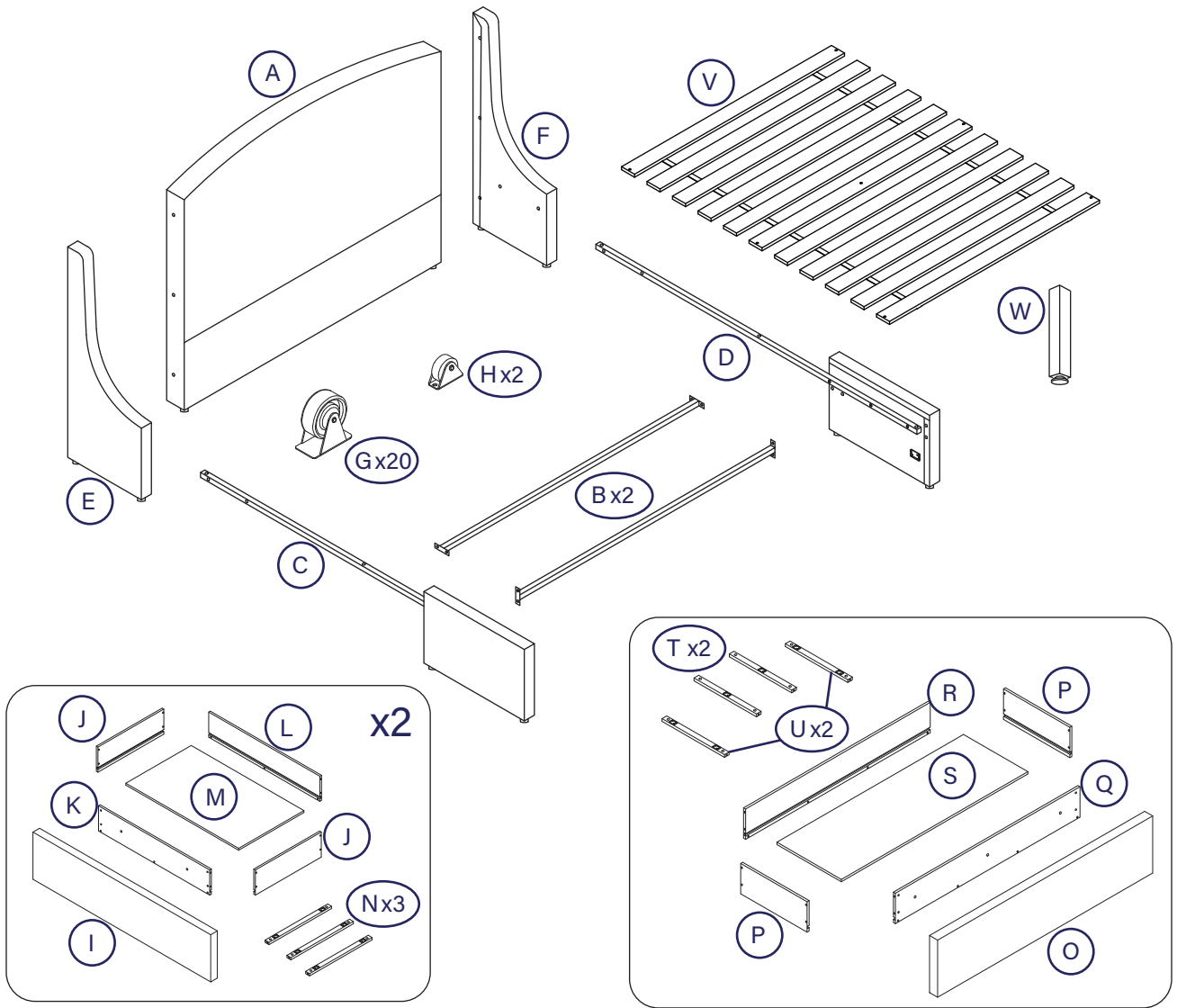
Recycling

As part of our zero to landfill policy, we're more than happy to collect and recycle your old bed or mattress, ensuring no part goes to waste. We will also take away all your packaging for recycling at point of delivery. Please check out our services on www.dreams.co.uk/recycling-services for more information. If you do not want us to do this, please check with your local recycling centre on the best recycling method.

Parts

Important information

The base you have purchased is a solid slat set. Please follow the instructions below in the current order.



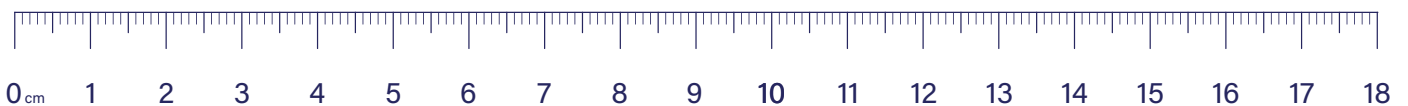
Tools required



Tape measure



Cross head screwdriver



Parts list

Code	Description	Qty	Pack	Code	Description	Qty	Pack
A.	Headboard	1	1	M.	Side Drawer Bottom Panels	2	3
B.	Cross Bars	2	2	N.	Side Drawer Support Rails	6	3
C.	Side Rail - LH	1	2	O.	Footend Drawer Face Panel	1	2
D.	Side Rail - RH	1	2	P.	Footend Drawer Side Panels	2	3
E.	LH Wing	1	4	Q.	Footend Drawer Front Panel	1	3
F.	RH Wing	1	4	R.	Footend Drawer Back Panel	1	3
G.	Big Wheels	20	3	S.	Footend Drawer Bottom Panel	1	3
H.	Small Wheels	2	3	T.	Footend Drawer Support Rails - Centre	2	3
I.	Side Drawer Face Panels	2	2	U.	Footend Drawer Support Rails - End	2	3
J.	Side Drawer Side Panels	4	3	V.	Wooden Slat Set	1	
K.	Side Drawer Front Panels	2	3	W.	Wooden Slat Set Support Leg	1	2
L.	Side Drawer Back Panels	2	3				

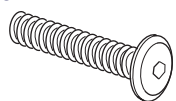




Please note that the wooden slat set (V) is supplied separately

Fittings

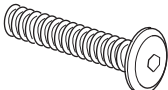

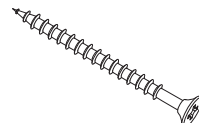
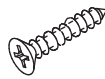
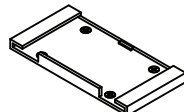
Please check you have all the parts listed below with your product:

PLEASE NOTE: There are bolts which have been pre-fitted to the side rails (C&D) not included below - please study Step 3 carefully.

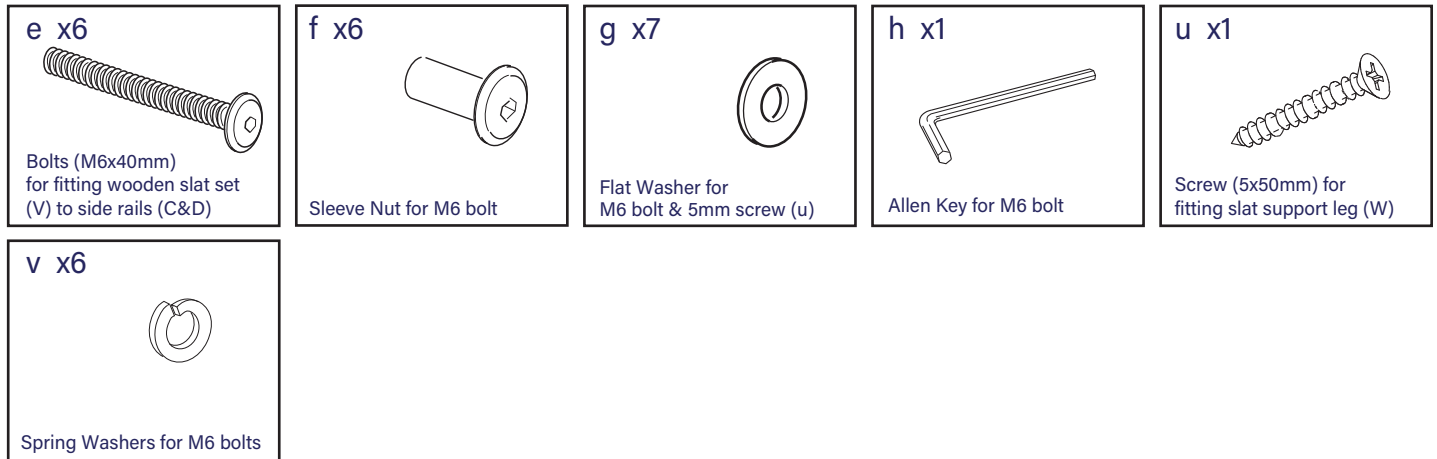
Hardware pack (A) needed for fixing wings and side rails to headboard Packed in the side rail Pack 2

<p>a x10</p>  <p>Bolts (M8x45mm) for fitting wings (E&F) and side rails (C&D)</p>	<p>b x10</p>  <p>Spring Washer for M8 bolts</p>	<p>c x4</p>  <p>Flat Washer (M8x17mm) for M8 bolts</p>	<p>d x1</p>  <p>Allen Key for M8 bolts</p>	<p>j x6</p>  <p>Large Flat Washer (M8x22mm) for M8 bolts</p>
--	--	---	---	---

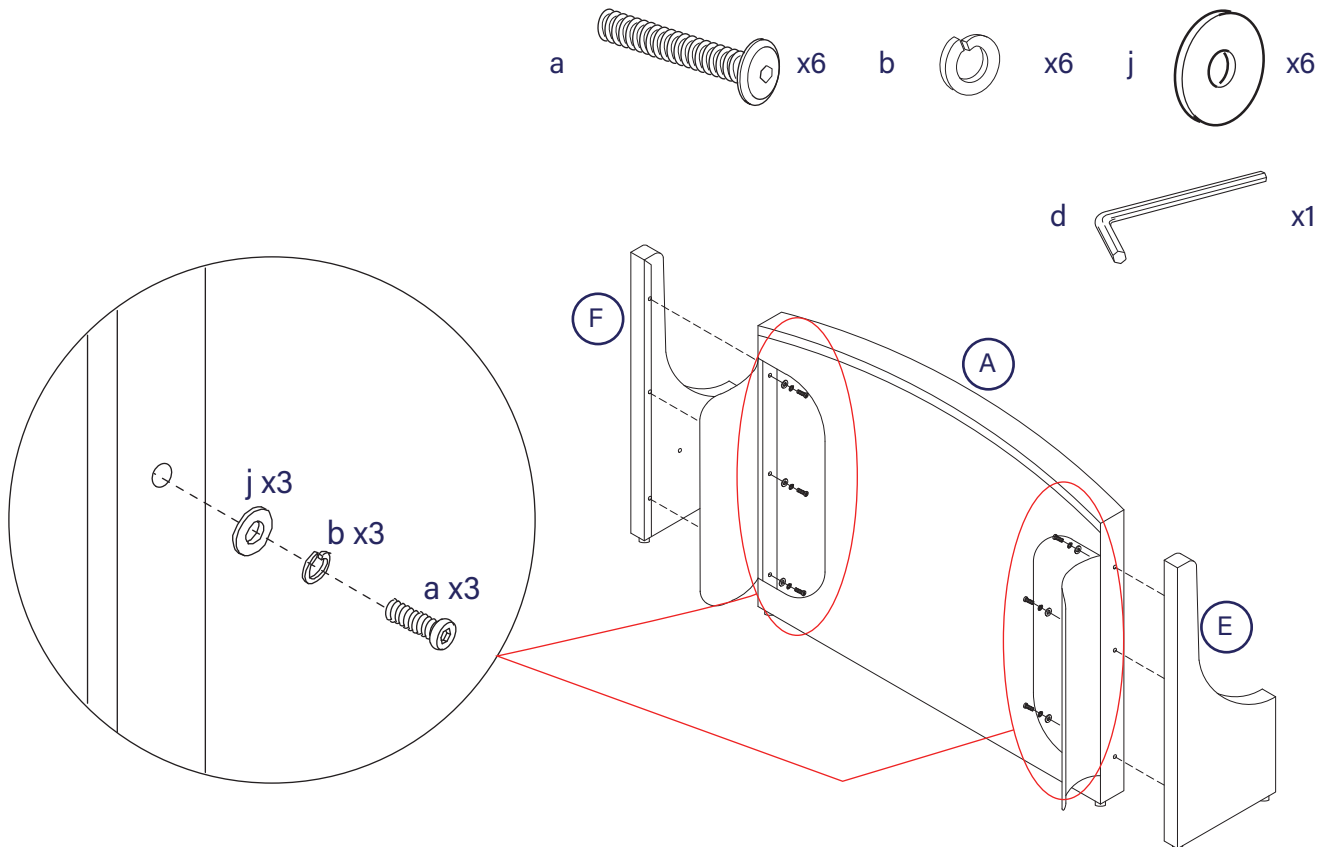
Hardware pack (B) needed for drawer assembly Packed in the drawer Pack 3

<p>a x7</p>  <p>Bolts (M8x45mm) for fitting drawer face panel (I&O)</p>	<p>k x44</p>  <p>Plastic Barrel Nut for assembling drawer panels</p>	<p>m x44</p>  <p>Screws (5x50mm) for assembling drawer panels</p>	<p>n x4</p>  <p>Screws (3.5x16mm) for fitting small wheels (h) to footend drawer face panel (O)</p>	<p>q x2 Spare Part</p>  <p>Castor Wheel Clip</p>
--	---	--	--	---

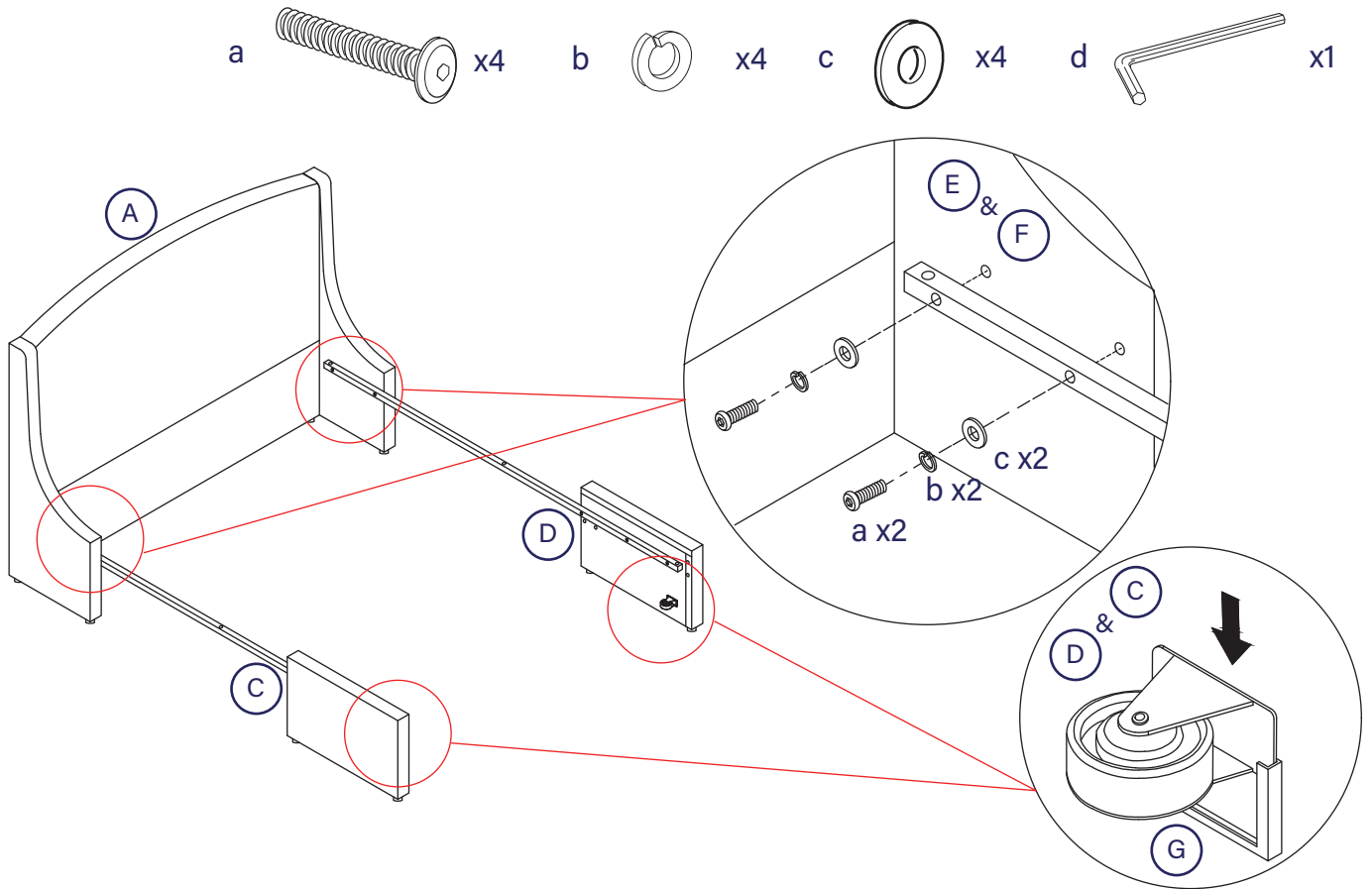
**Hardware pack (C) needed for fitting wood slats set
Packed in side rails - Pack 2**



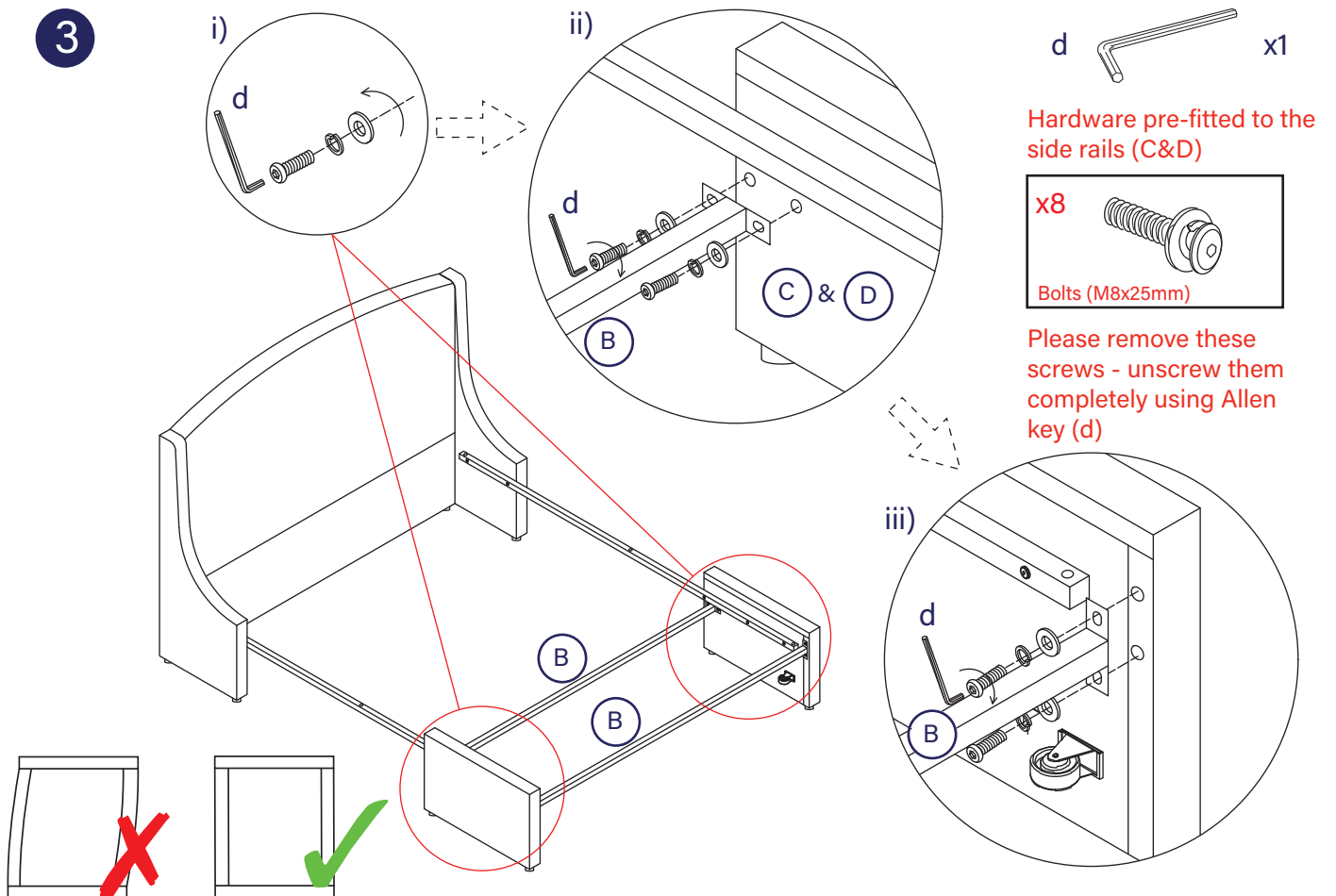
1 Fitting wings to main headboard



2 Bed assembly.

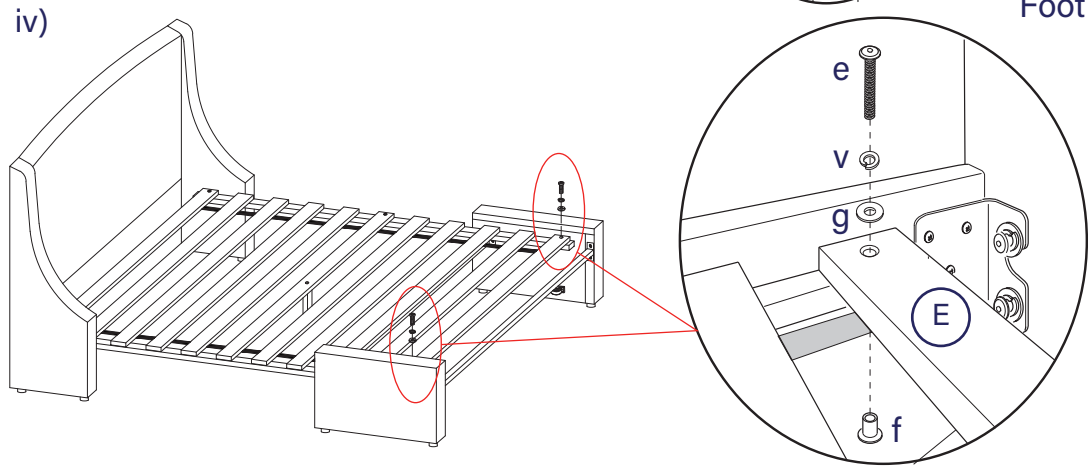
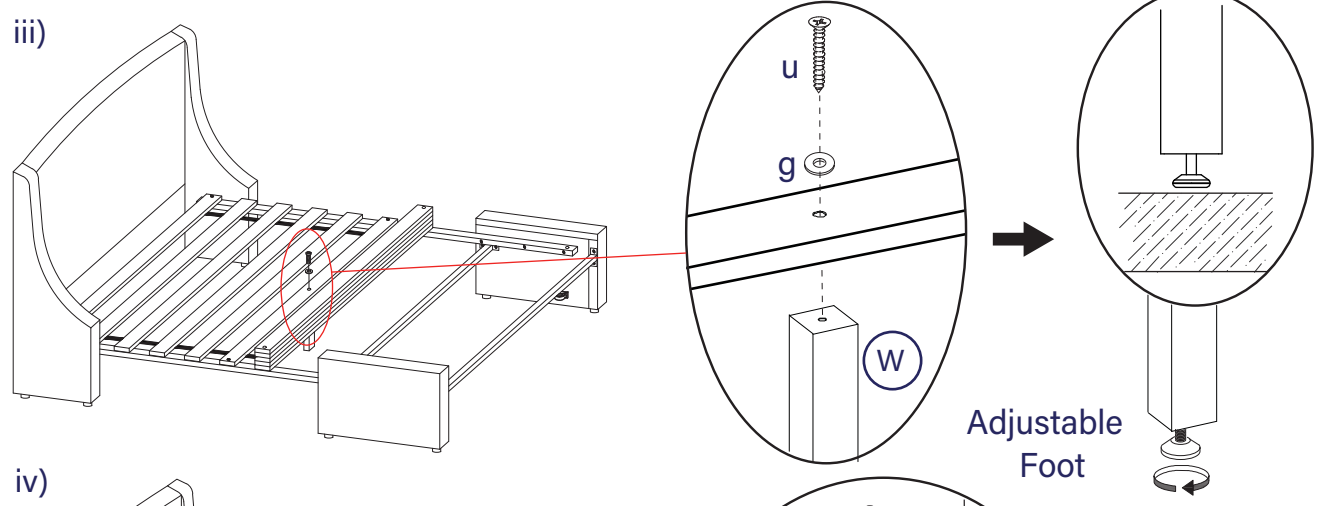
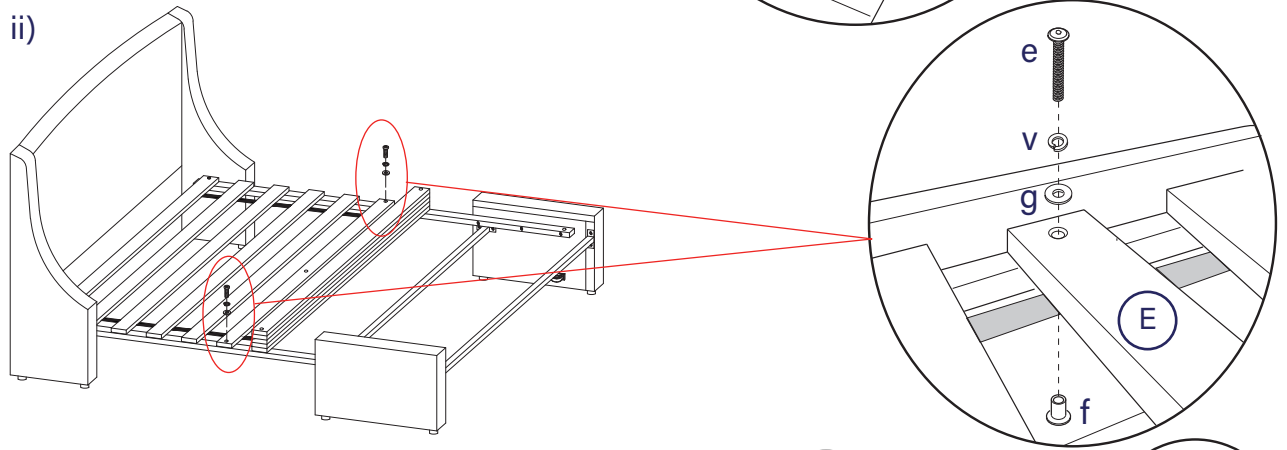
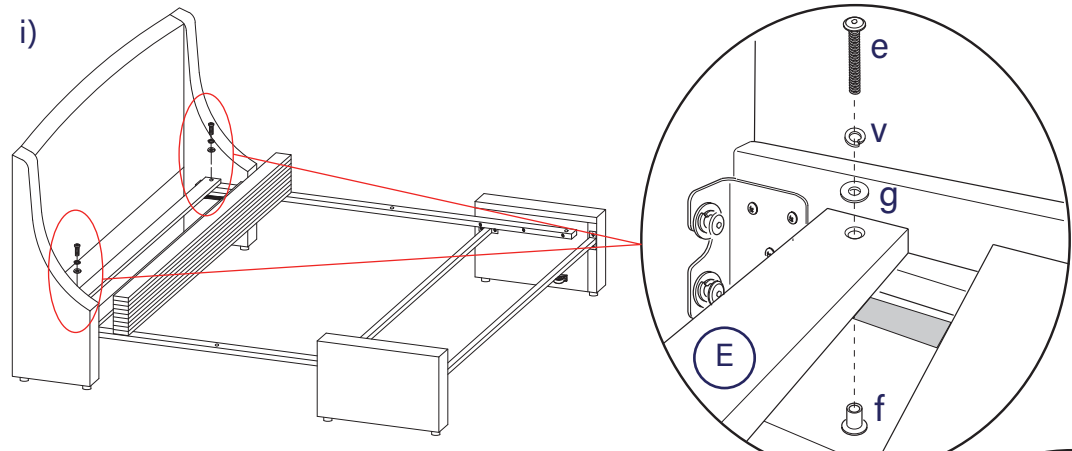
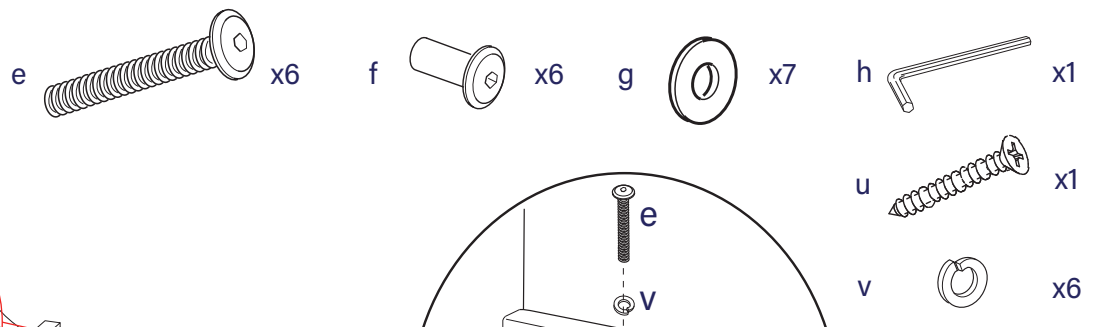


3




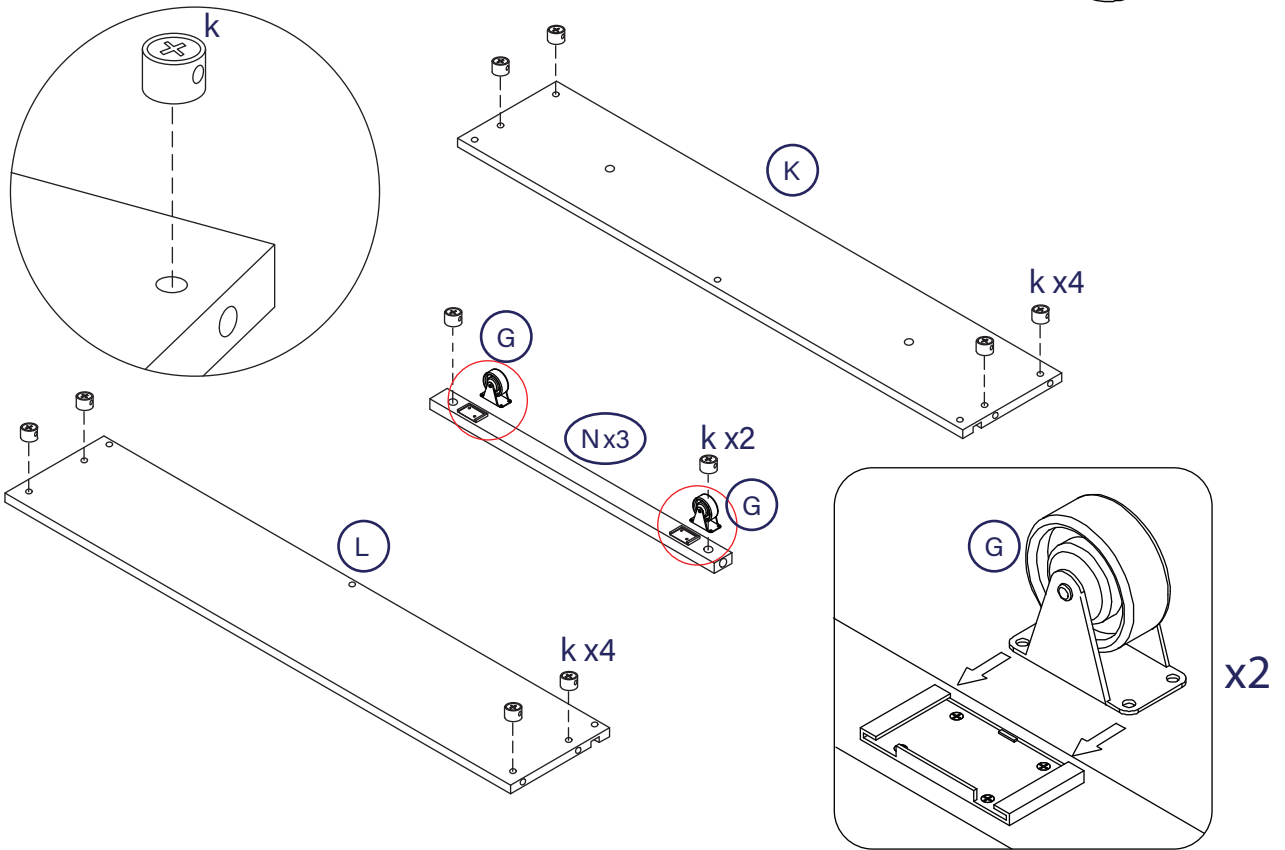
Make certain the bed is squared up as shown in the diagram then tighten all bed assembly bolts 100%.

4 Fitting the wooden slats.

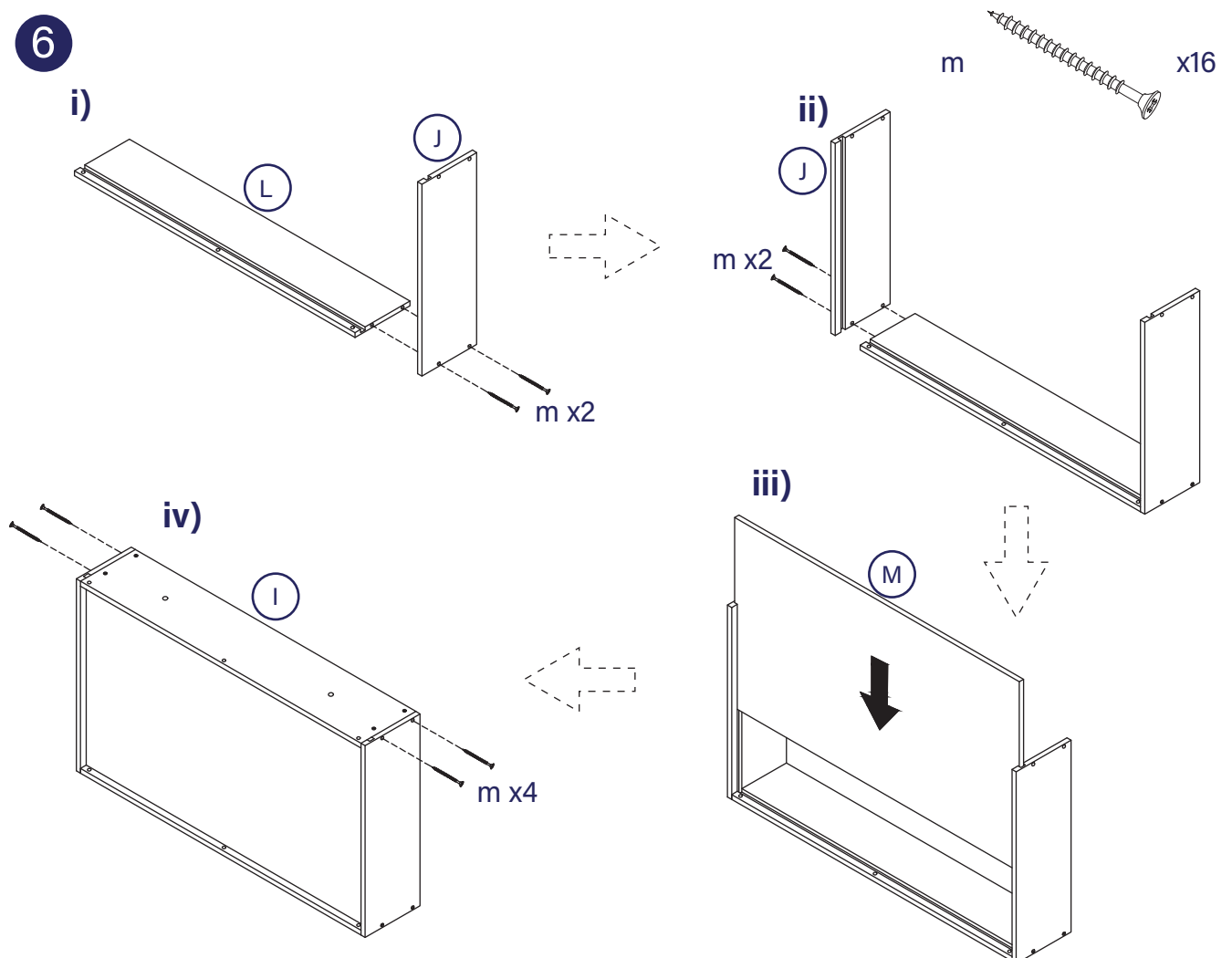


5 Assemble X2 side drawers

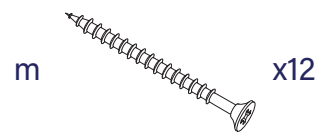
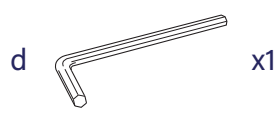
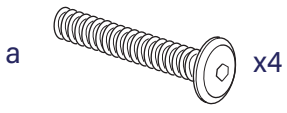
k  x28



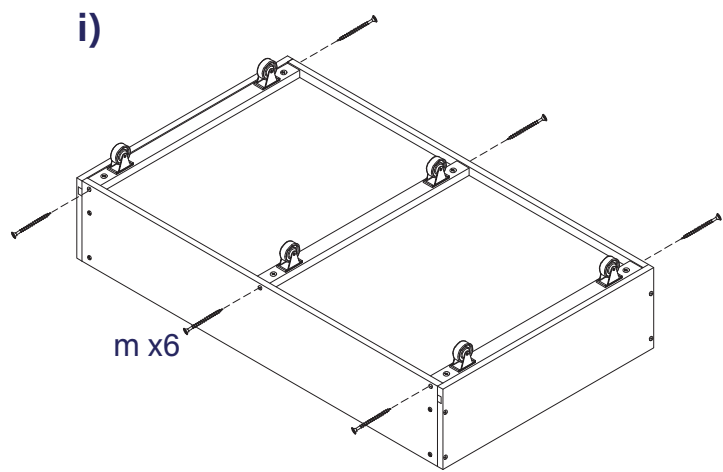
6



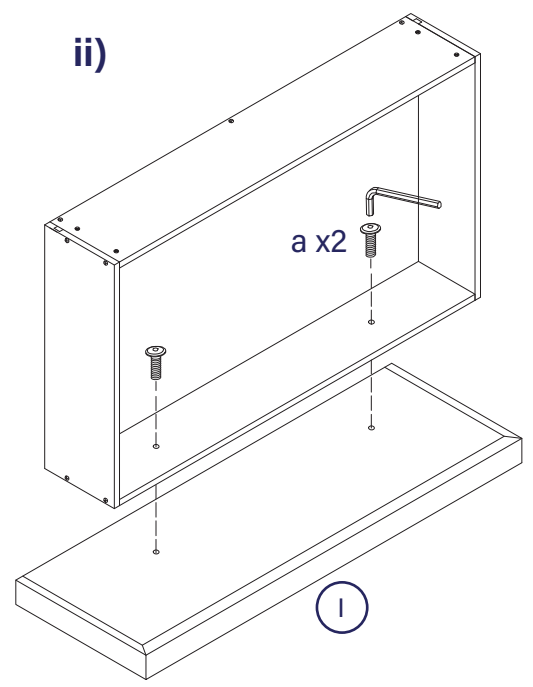
7



i)

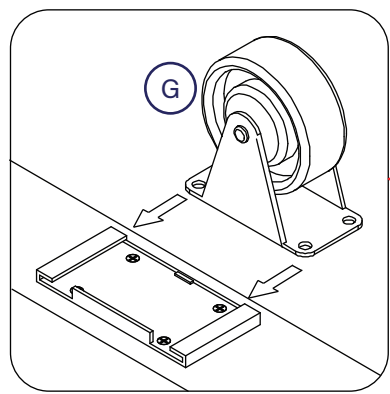
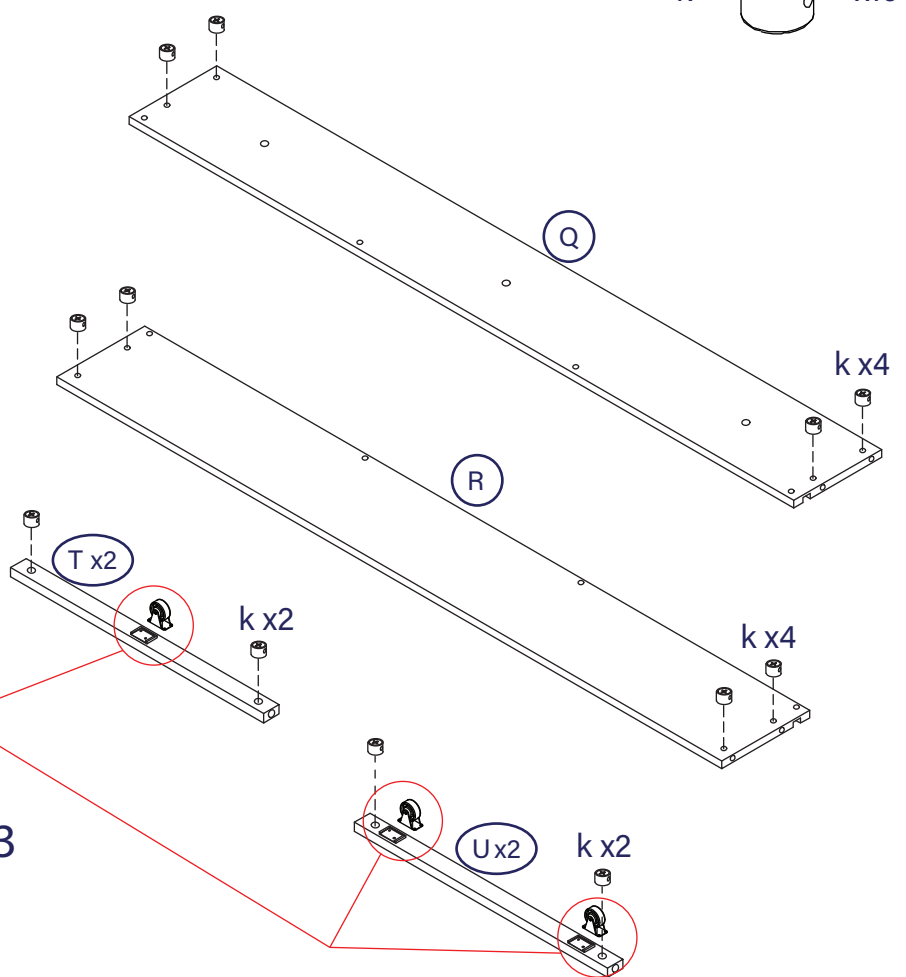
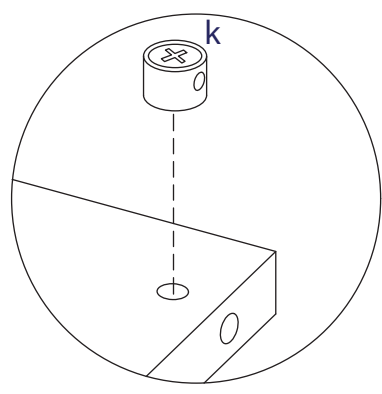


ii)



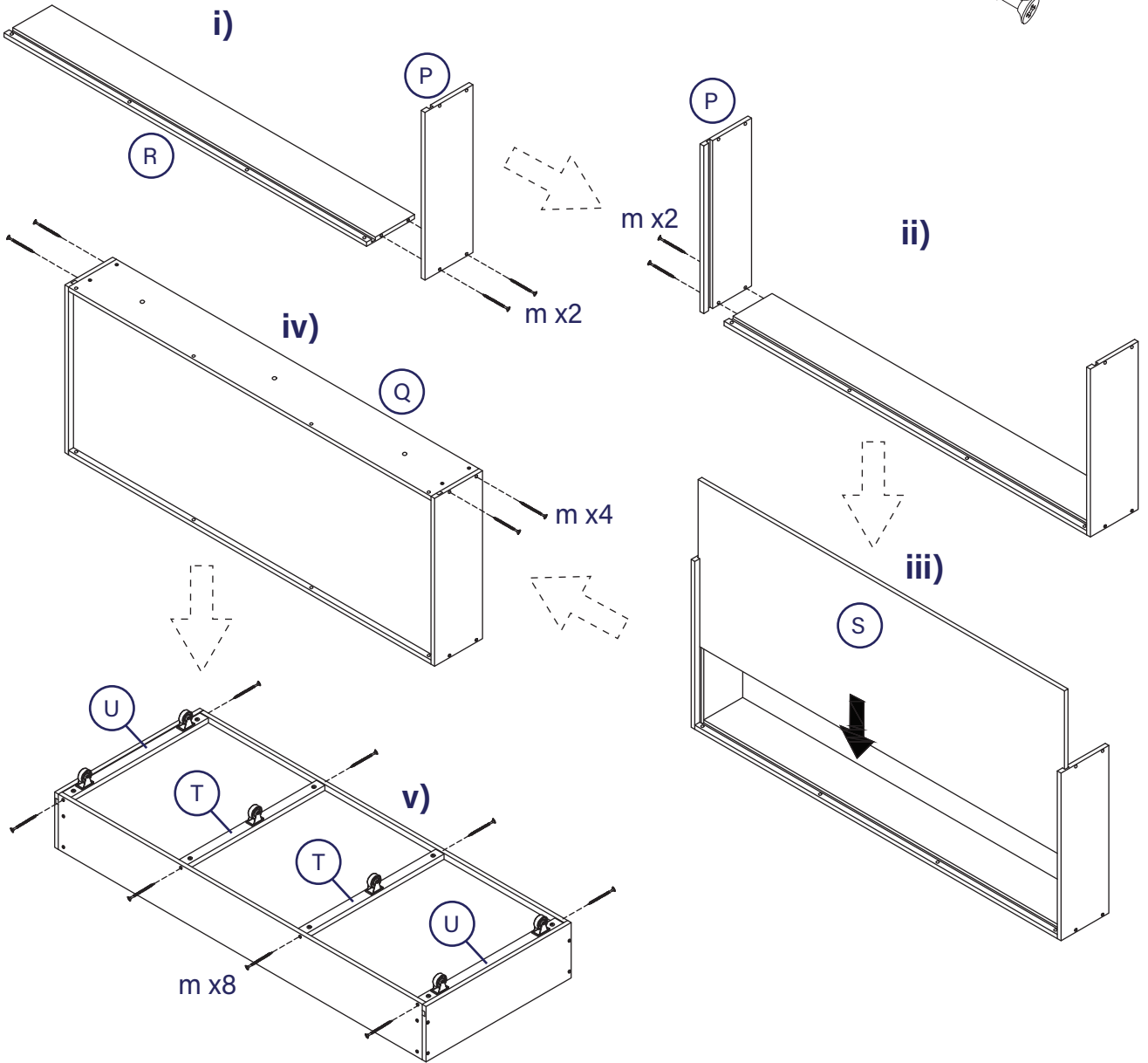
8

Assemble the footend drawer



9

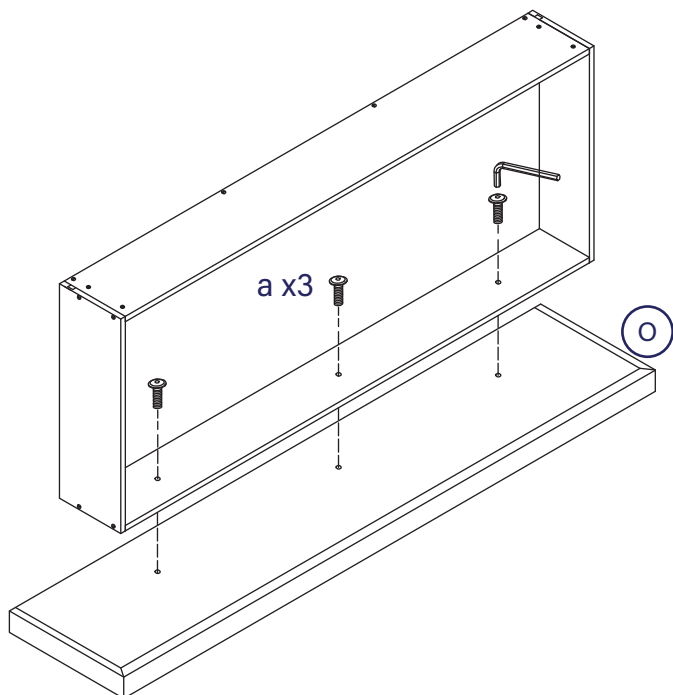
m x16



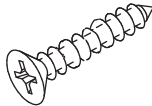
10

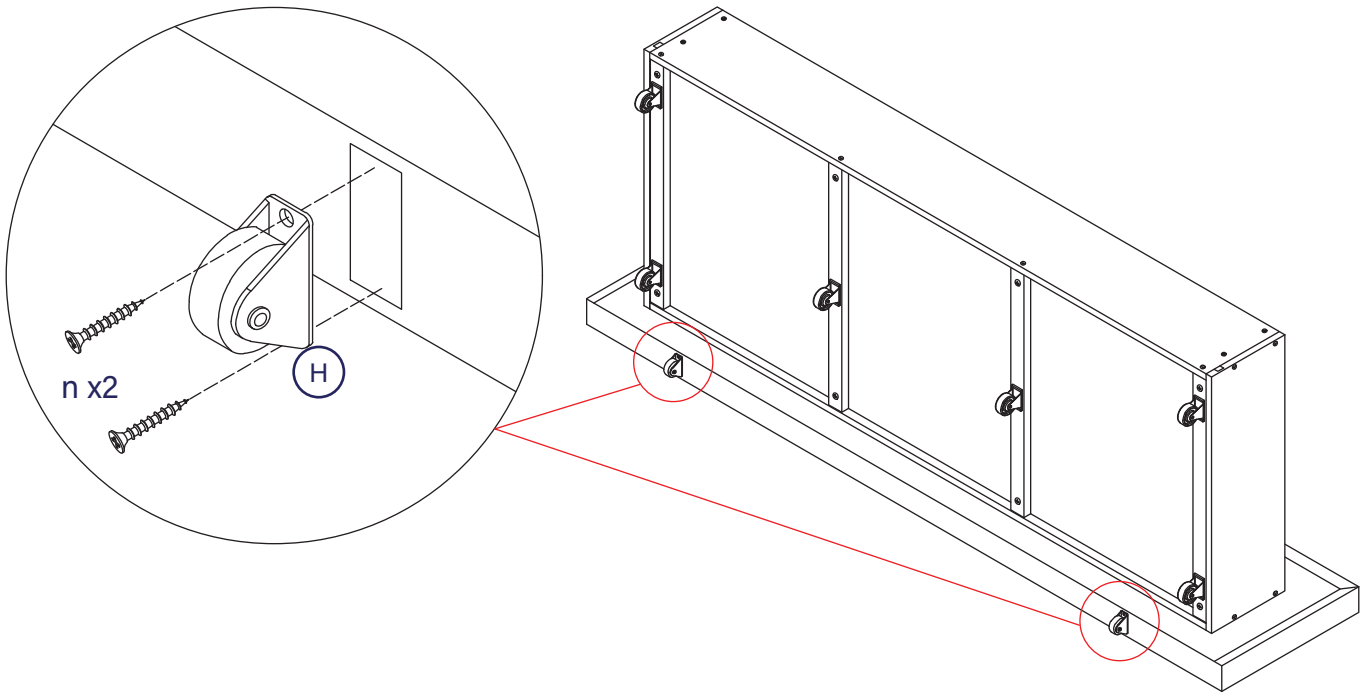
a x3

d x1

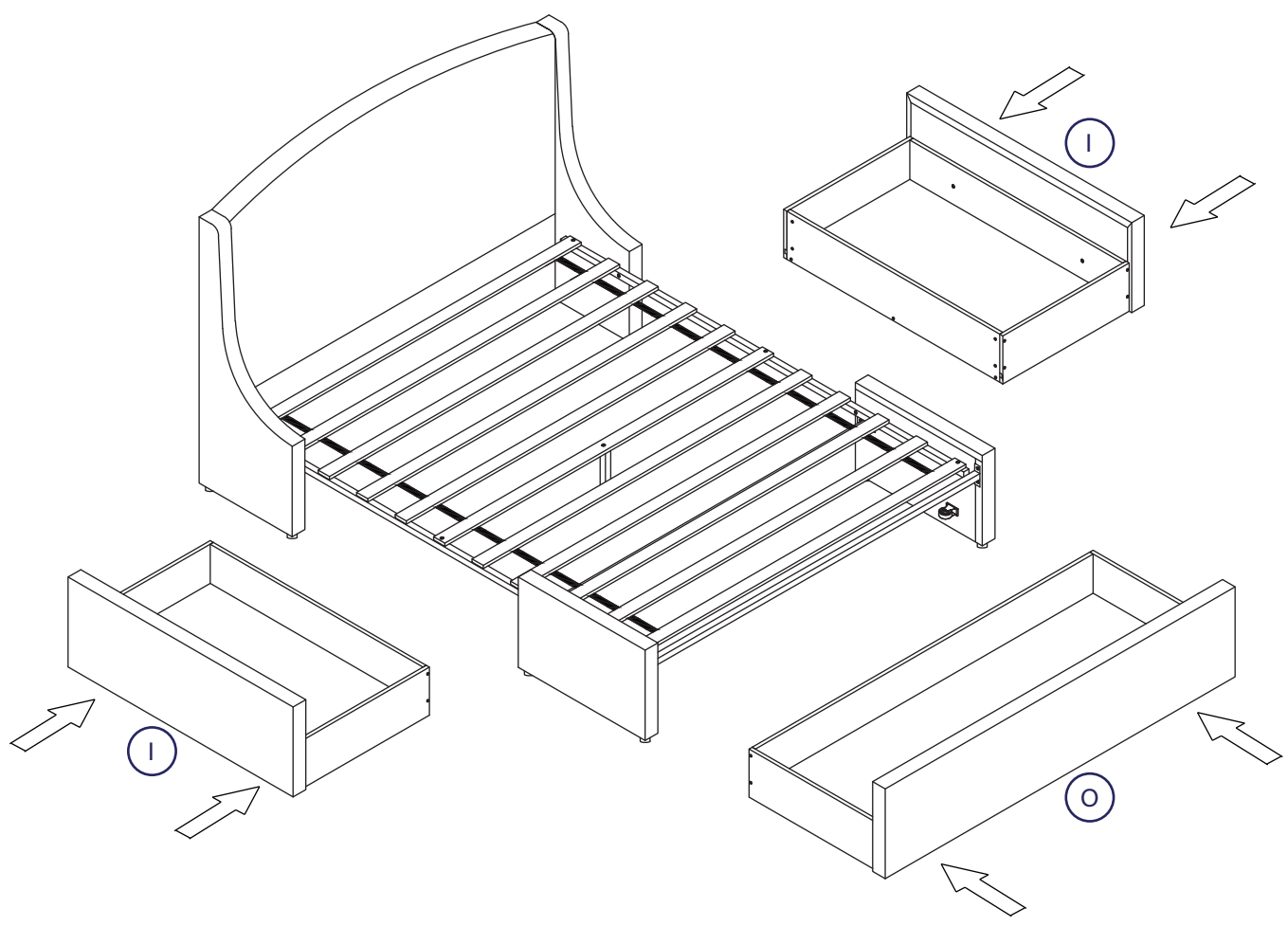


11

n  x4



12 Carefully slide in all the drawers



Care and maintenance

Here are some tips to keep your new furniture in tip-top condition



Cleaning

To clean your new furniture, we'd advise using a warm damp cloth or if fabric, remove dust using a low suction vacuum cleaner - please do not use abrasive chemicals or bleach as this may damage the product.



Checking and moving

Periodically we recommend you check that the screws or fixtures haven't become loose, over time. To move your new furniture, we recommend lifting it where possible, as dragging or pushing it could cause damage to your flooring.



Wood

Please note each of our wooden pieces are unique, meaning that markings and shade can vary slightly between furnitures. Over a period of time, the wood might lighten or fade slightly due to light exposure.



Fabric

Please note depending on the lighting, positioning and surroundings of your room, the shade of the colour can sometimes appear slightly different. Over a period of time the colour might lighten or fade slightly due to light exposure.



Metal

Metal tends to be more resilient to everyday wear and tear. We recommend to gently dust your metal furniture and keep it dry to maintain its look.

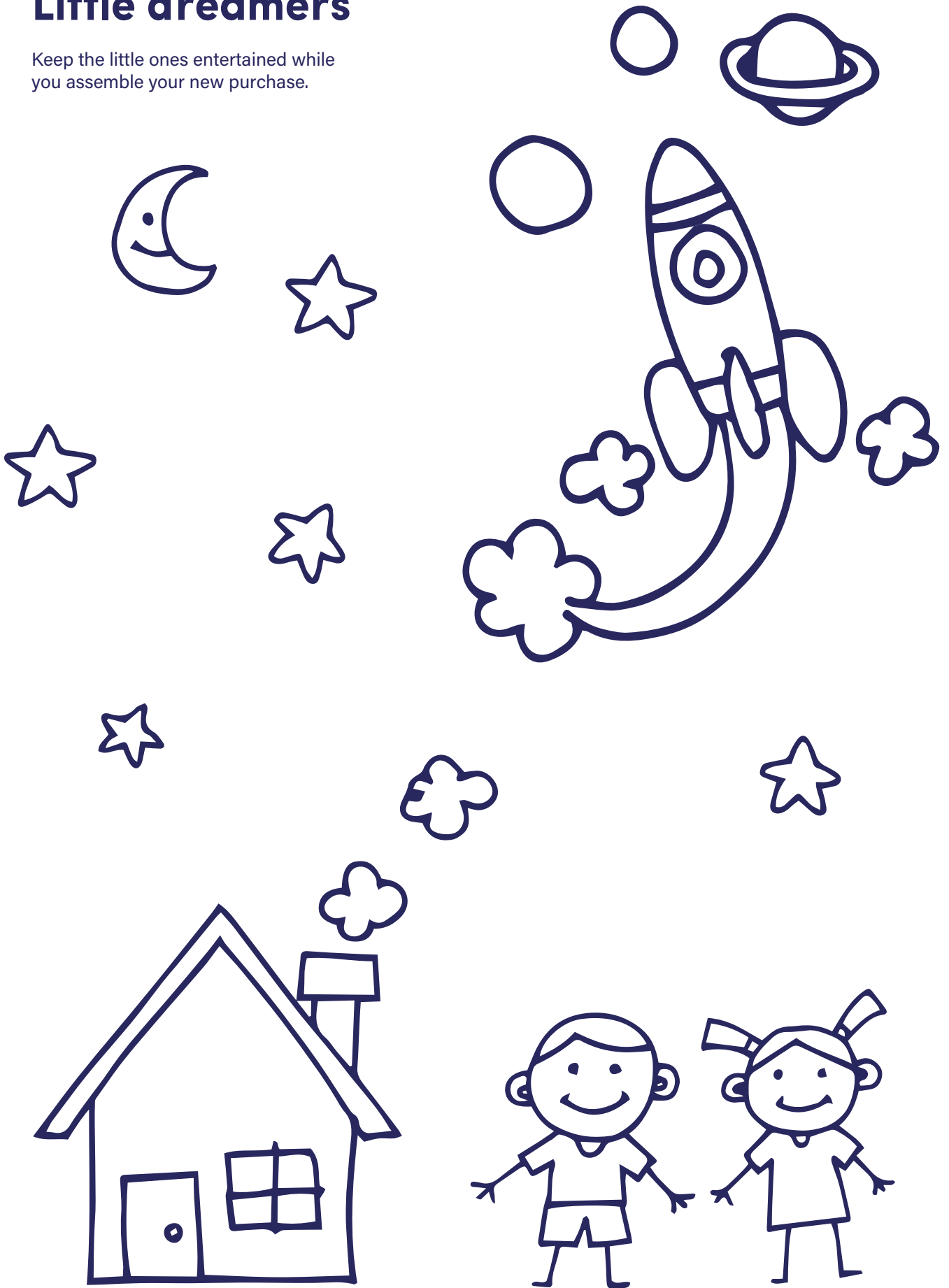
Thank you for shopping with us - we hope you have a great night's sleep

Sleep well



Little dreamers

Keep the little ones entertained while you assemble your new purchase.



Dreams

Love your bed