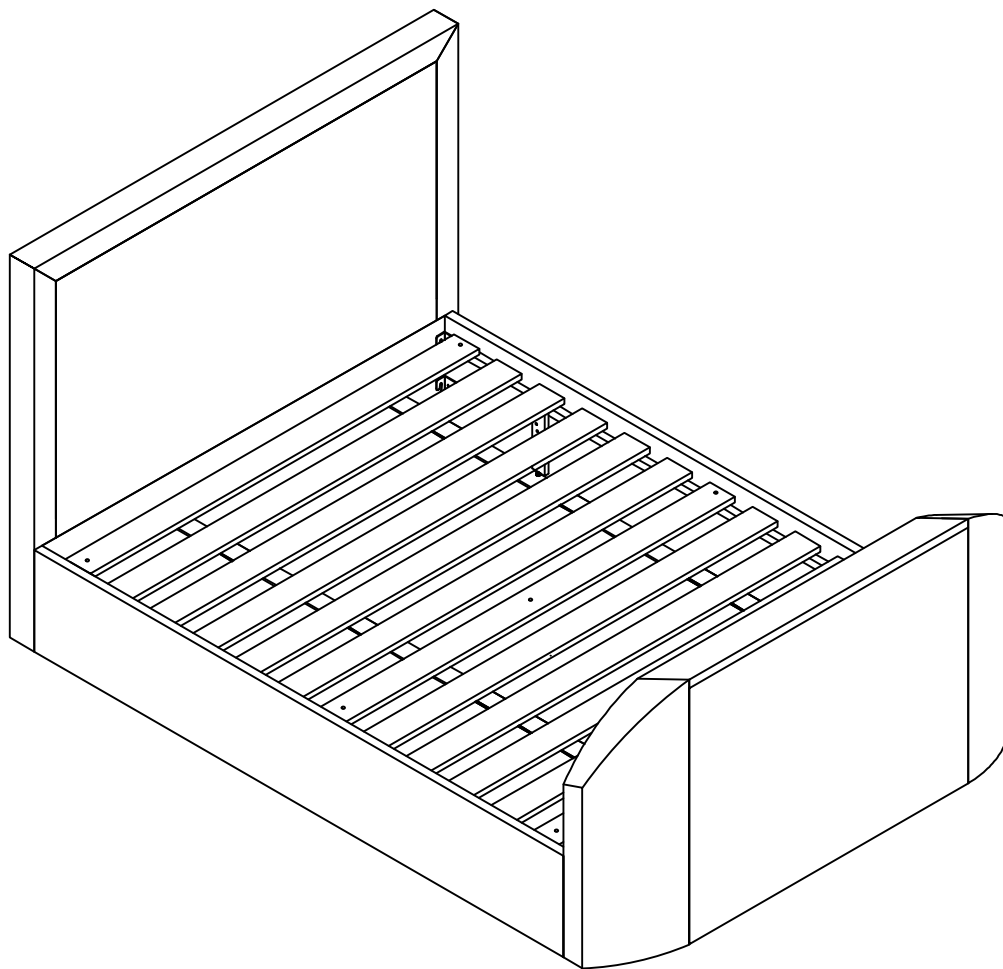


# Turin TV Bed

Small Double  
Double  
King  
Super King



1 hour approx  
assembly time



Two person  
assembly

**Dreams**  
Love your bed

# Thank you

Hello, thanks for choosing to purchase your bed from Dreams - you're now on your way to your best ever night's sleep. Before you begin building your bed, please take a moment to read through the instructions and make sure that you've got all the relevant parts listed on the following pages.



## Assembly tips

Before you begin, it's best to identify all parts and fittings to build your bed. We advise laying these out on the floor to check you have everything, and familiarising yourself before building.



## Top tip

We recommend that you build your new bed in the room you'd like it to be located - this will help prevent any risk of damage to your newly built bed whilst moving it.



## Safety and care

It's really important to ensure children and animals are kept away from the assembly area, as there are small components used in this bed which could present a choking hazard. All plastic and wrapping materials should also be kept away from children and animals to prevent any risk of suffocation. To keep your little ones busy, there is a colouring page inside the back cover.



## Help and support

At Dreams, it's our mission to give the whole nation a great night's sleep - this means that the quality of our products is of utmost importance to us. If there are any issues with your product or any missing parts, please visit our website at [www.dreams.co.uk/help](http://www.dreams.co.uk/help)



## Recycling

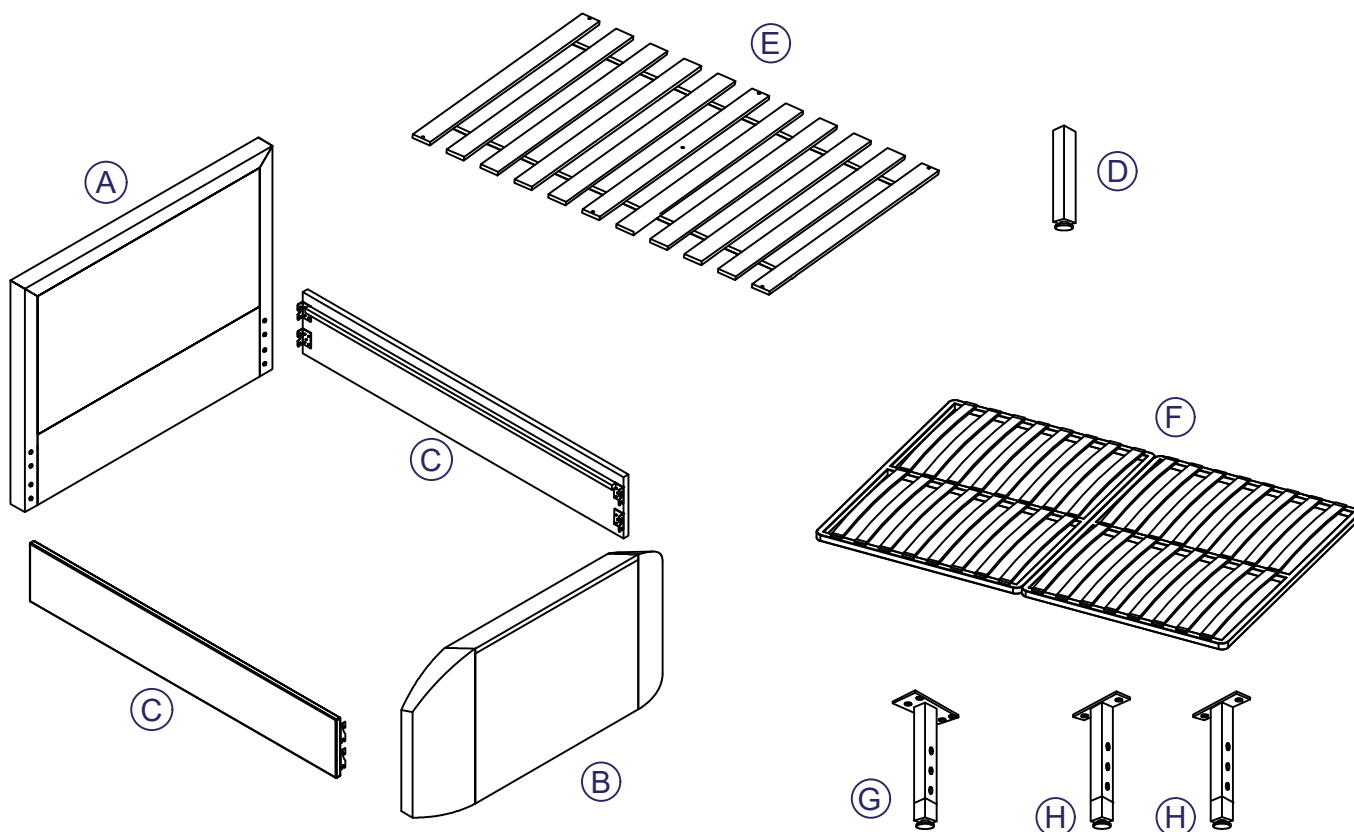
Please ensure that packaging is disposed of in a safe and environmentally friendly way, and recycle where possible. Our assembly instructions are printed on recycled paper. Please keep your assembly instructions safe to refer back to in the future.

# Parts

## Important information

Please identify which base you have purchased with your bed frame as the assembly method may change. Once you have identified you have all of the relevant parts and fittings, please follow the instructions for your chosen base below;

Pages (3 to 15)



Note:  
 Standard wooden slat set is Part (E).  
 Upgraded sprung slat frame set is Parts (G, H & F).  
 Please note that the wooden slat set -or- the upgraded sprung slat frame set is supplied separate to the bed.

## Parts list

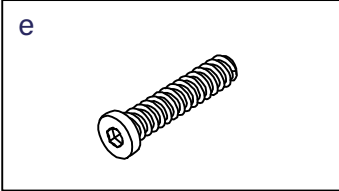
|    |                             |   |    |  |   |
|----|-----------------------------|---|----|--|---|
| A. | Headboard                   | 1 | E. | *Wooden Slat Set*                      | 1 |
| B. | Footboard                   | 1 | F. | *Upgraded Sprung Slat Frame*           | 1 |
| C. | Side Rails                  | 2 | G. | *Sprung Slat Frame Centre Support Leg* | 1 |
| D. | Wooden Slat Set Support Leg | 1 | H. | *Sprung Slat Frame Outer Support legs* | 2 |

# Fittings

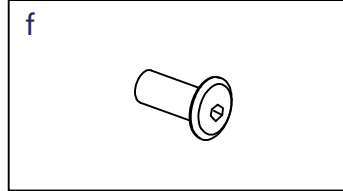
Please check you have all the parts listed below with your product:

**PLEASE NOTE:** There are bolts which have been pre-fitted to the headboard & footboard (A&B) not included below - please study Step 1 carefully.

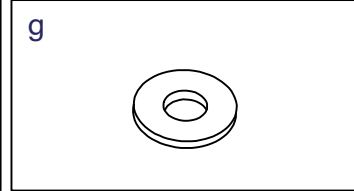
## Hardware pack (A) needed for fitting wood slats or upgraded sprung slat frame - packed with side rails - Pack 2



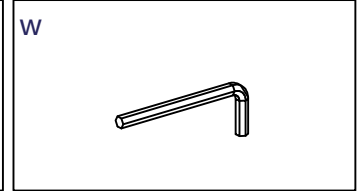
Ref: Bolts (M6x40mm)  
Quantity: 6pcs



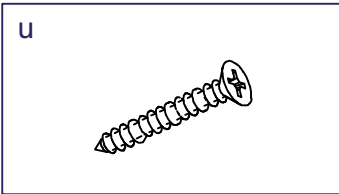
Ref: Sleeve Nut for M6 Bolts  
Quantity: 6pcs



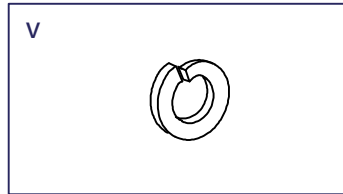
Ref: Flat washer for M6 Bolts  
Quantity: 7pcs



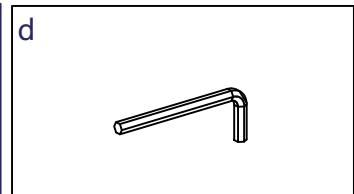
Ref: Allen Key for M6 Bolts  
Quantity: 1pc



Ref: Screw (5x40mm)  
Quantity: 1pc



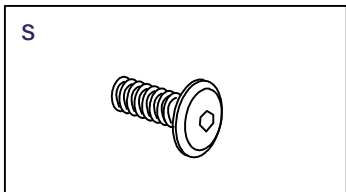
Ref: Spring Washer for M6 Bolts  
Quantity: 6pcs



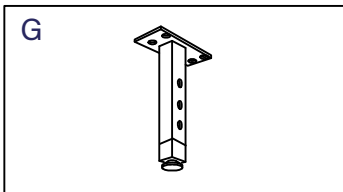
Ref: Allen Key for M8 bolts  
Quantity: 1pc

## Extra hardware included when fitting upgraded sprung slat frame

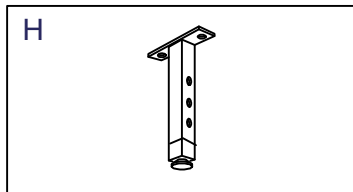
Note: the following fittings will be found in the box which contains the upgraded metal frame it self.



Ref: Bolts (M6x15mm)  
Quantity: 8pcs



Ref: Sprung Slat Frame  
Centre Support Leg  
Quantity: 1pc



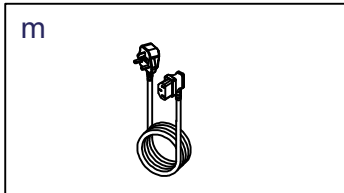
Ref: Sprung Slat Frame  
Outer Support legs  
Quantity: 2pcs

# Fittings

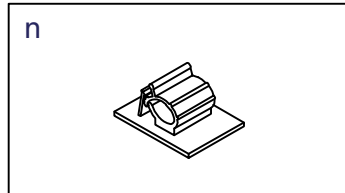
Please check you have all the parts listed below with your product:

## Cables & Accessories for TV Installation

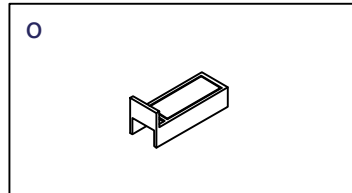
Packed in footboard carton Pack 2 -hardware pack (B)



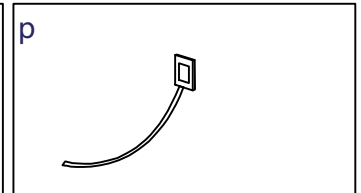
Ref: Mains Power Lead  
Quantity: 1pc



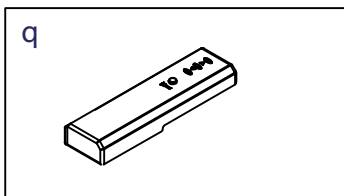
Ref: Cable Clip  
Quantity: 3pcs



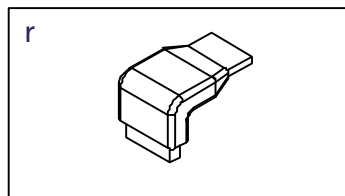
Ref: TV Support slide  
Quantity: 2pcs



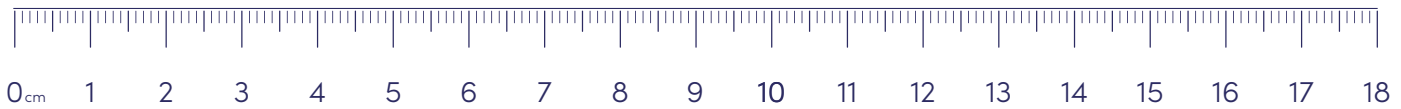
Ref: Cable Tie  
Quantity: 3pcs



Ref: Remote Control  
Quantity: 1pc



Ref: HDMI 90° Adapter  
Quantity: 1pc



# Tools required

Please check you have all these below:



Flathead  
screwdriver



Scissors



Spanner



Tape measure



Cross head  
screwdriver

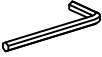
# Bed Frame assembly

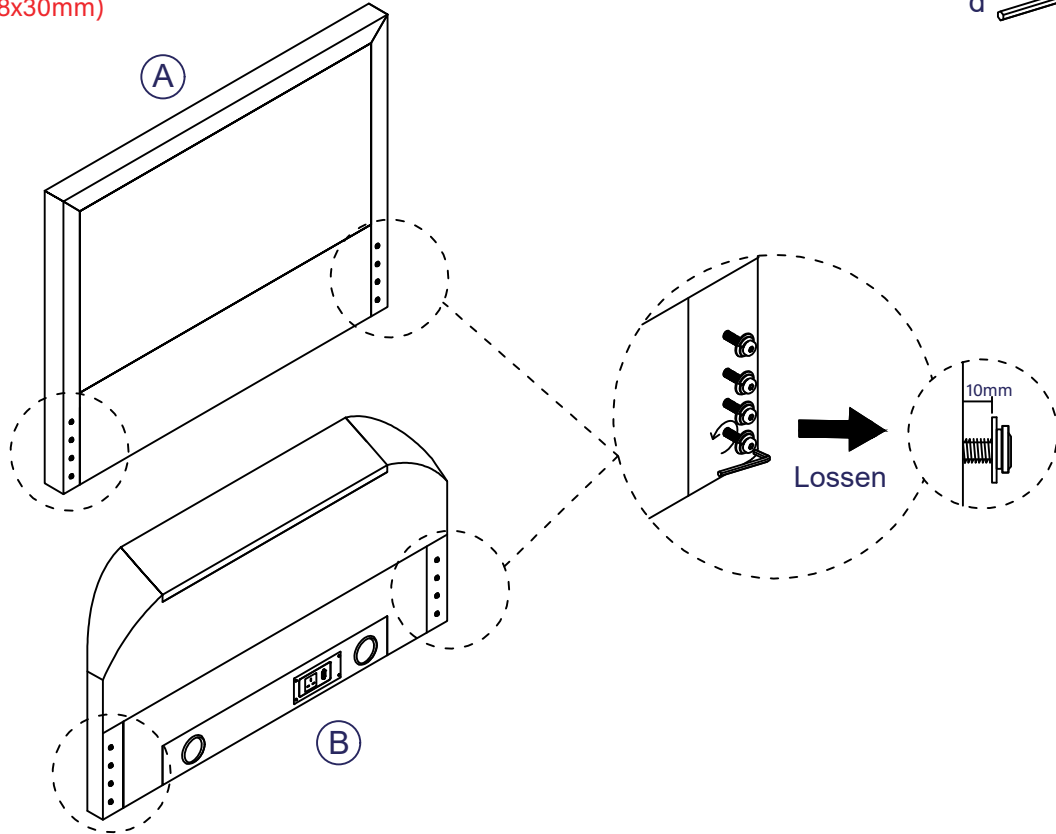
Use pack 1 and pack 2

## 1 Assemble the bed

Hardware pre-fitted to the headboard & footboard (A&B)

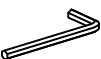
 x 16  
Bolts (M8x30mm)

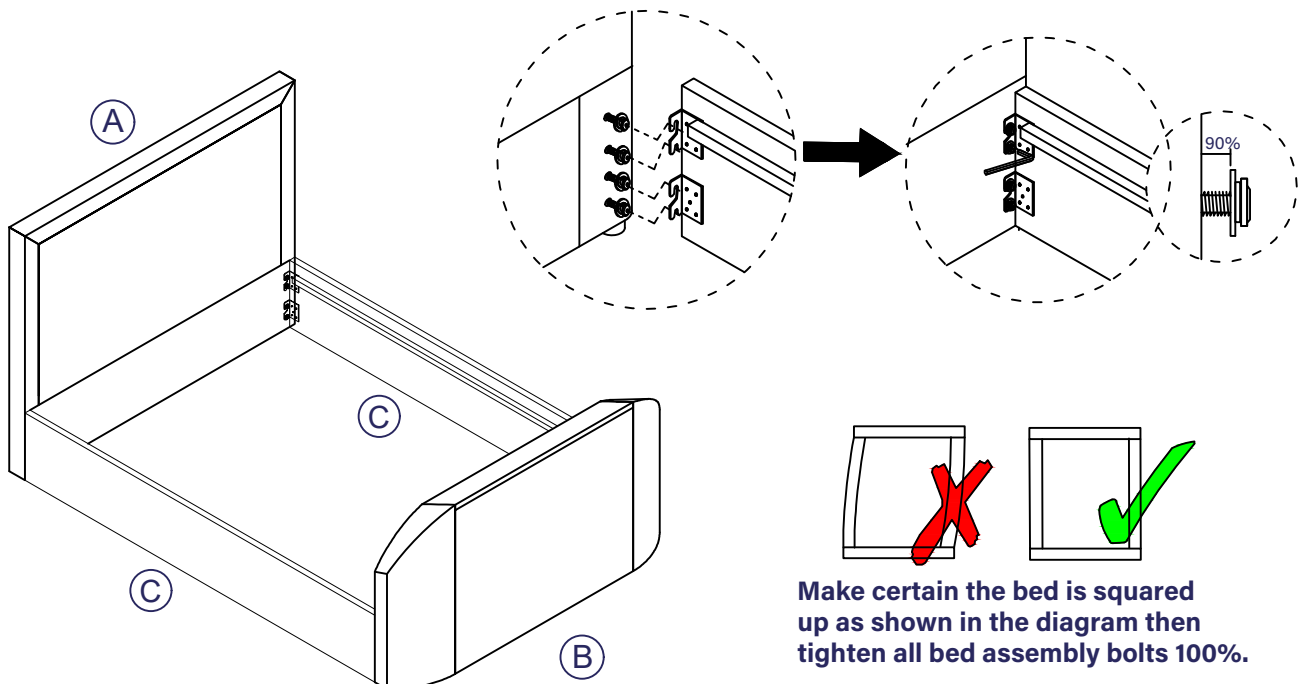
d  x1



Use pack 1 pack 2 and pack 3

## 2

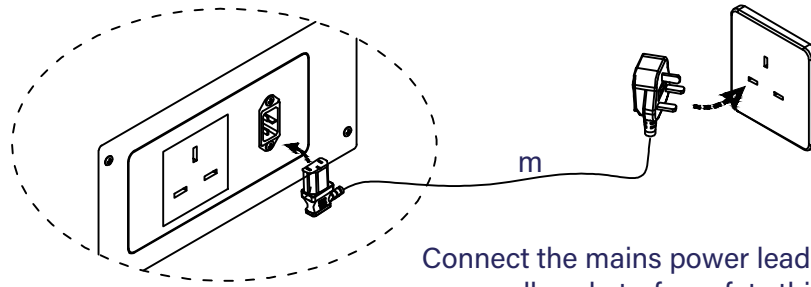
d  x1



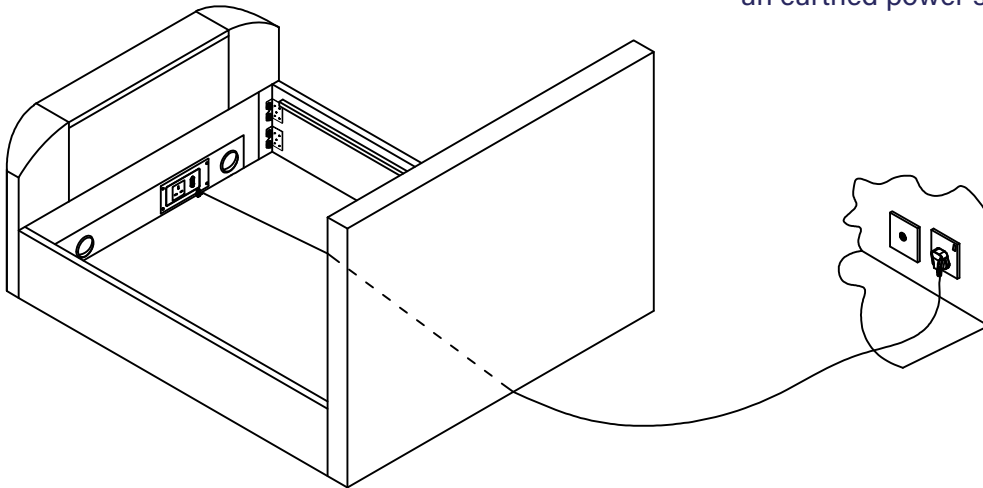
# Bed Frame assembly

Use pack 2

3



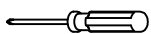
Connect the mains power lead (m) to your wall socket - for safety this must be an earthed power supply.



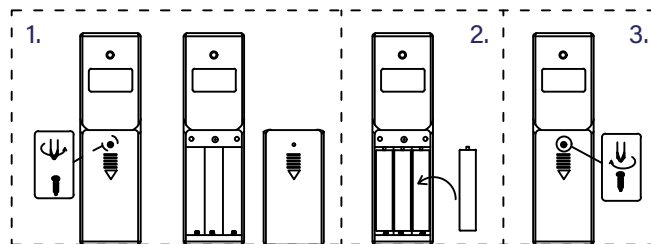
Use pack 2

4

1. Remove screw and cover
2. Fit x3 AAA batteries
3. Refit the cover & screw



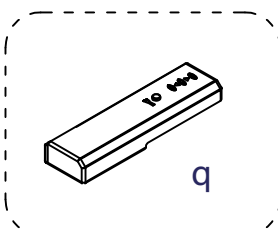
Not included



The RC is supplied pre-paired to your TV Lift.

Occasionally you may find the radio wave connection between remote control and TV Lift is lost, probably due to atmospheric conditions. In that case please follow these simple instructions below:

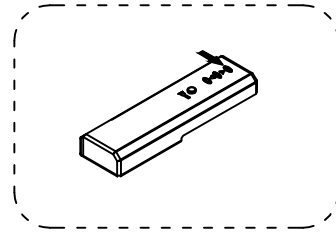
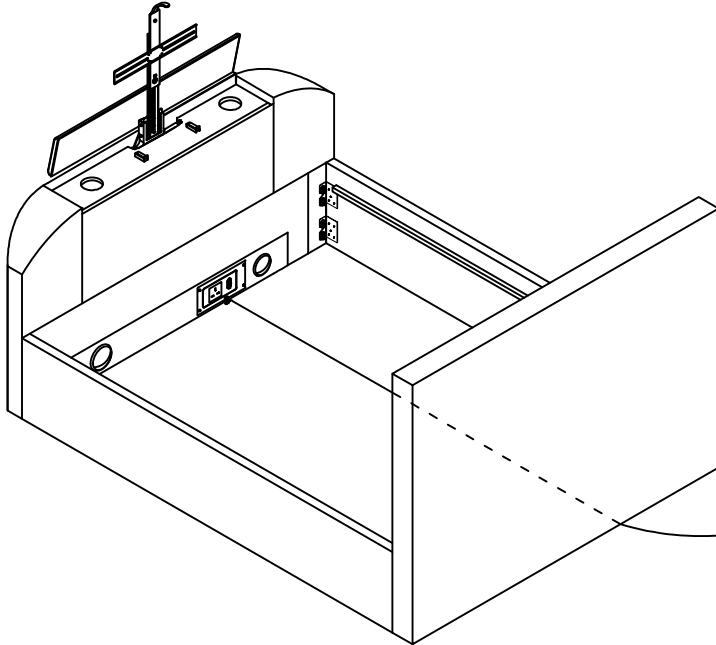
4. Pairing to the TV Lift



1. Disconnect all mains electric power to the bed, for at least 60 seconds.
2. Press UP or DOWN Button on Remote Control and keep holding button pressed down, simultaneously re-connect mains electric power to bed keeping button down for at least a further 5 seconds. TV Lift unit receives signal from Remote Control and lift will begin to move UP or DOWN whichever direction is appropriate.
3. Re-connection is now completed.

# Bed Frame assembly

5

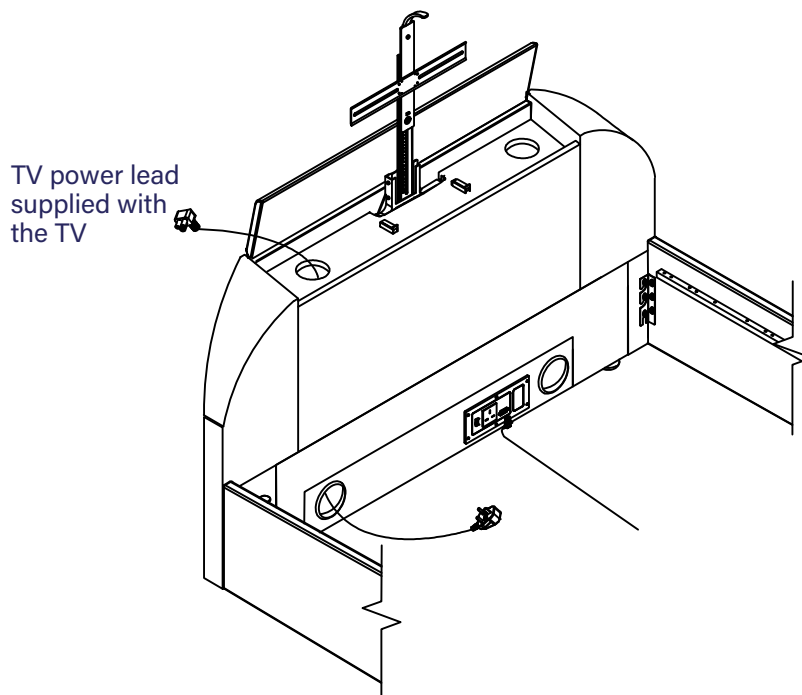


On the RC, press the "UP" button to raise the TV lift.

6

Note: For illustration purposes only, TV connections may vary.

Tip: Before fitting the TV, push any leads through each duct from the top choosing the best side to use depending on where the connection ports are on back of your TV. Never cross leads from one side to the other unless as shown in the instruction below in this Step.



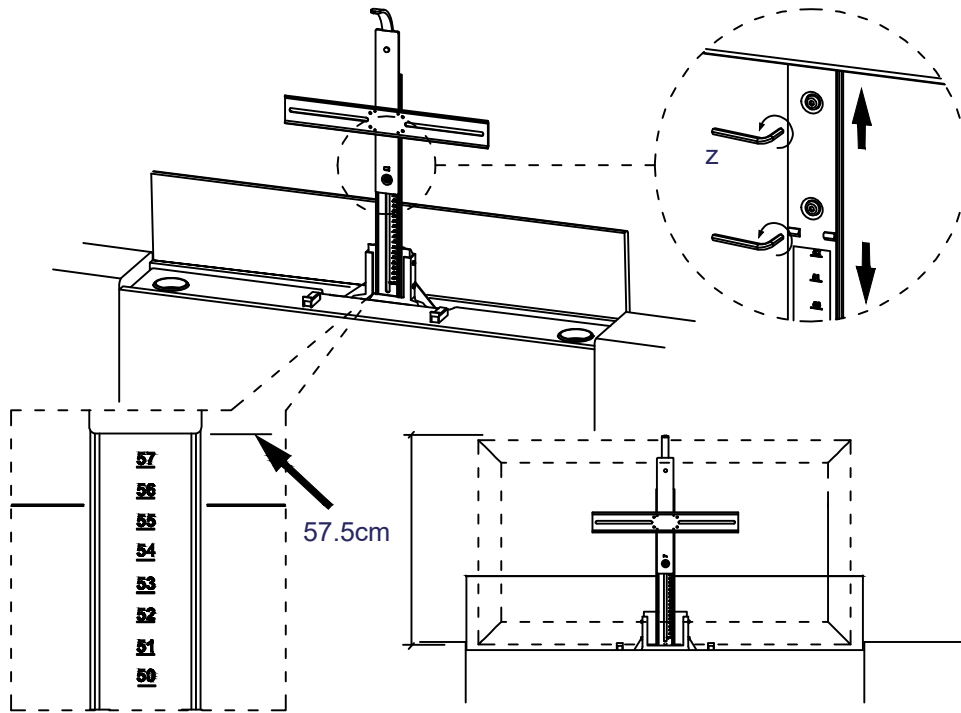
# TV assembly

7

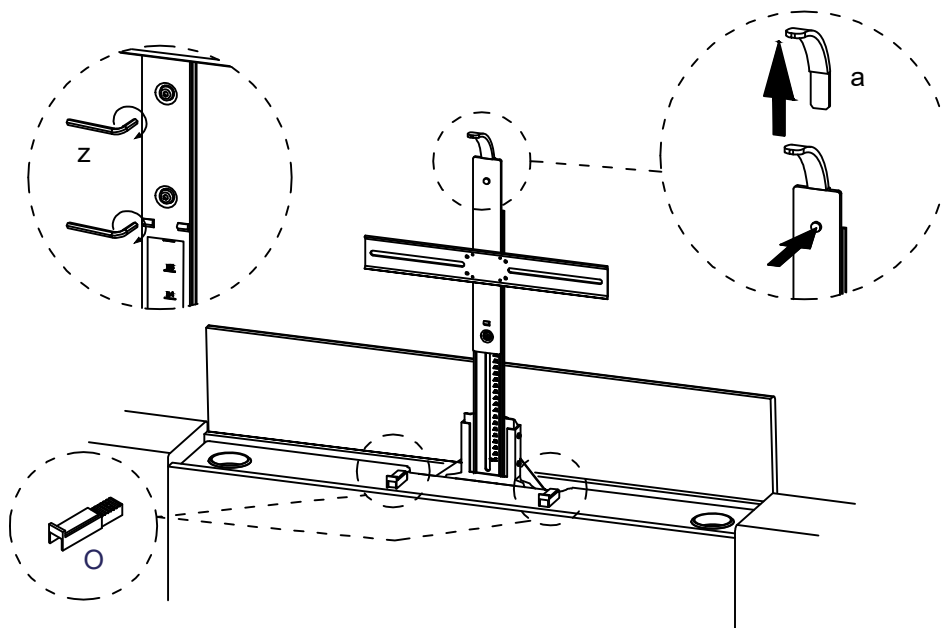
Set ruler height to height of TV - 57.5 cm is the maximum.

Fitting the television.

Maximum TV dimensions: W98 x H57.5 x D8.5cm

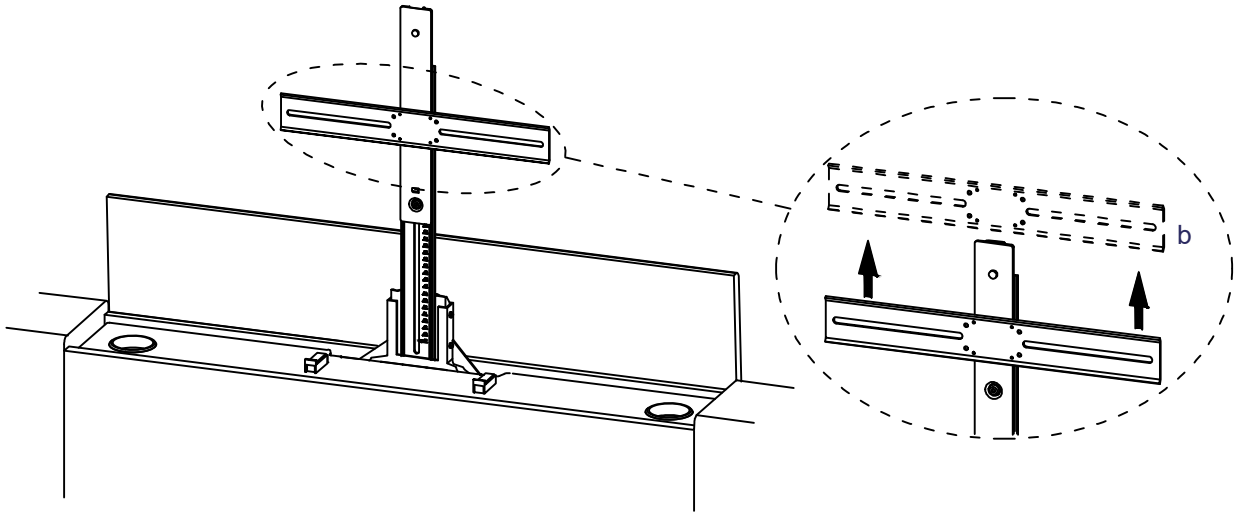


8



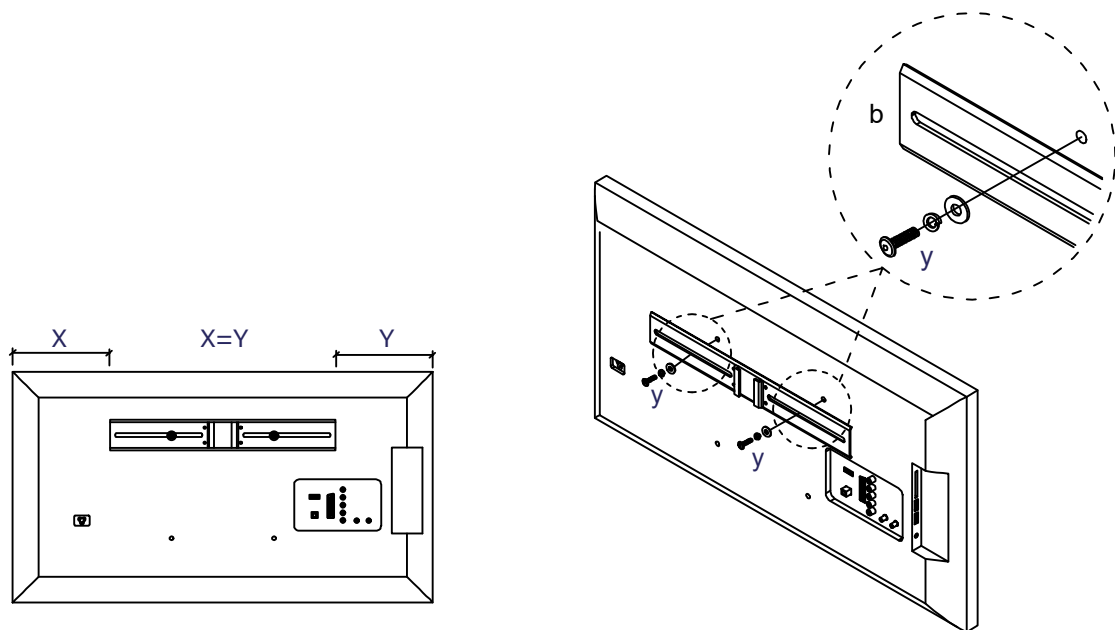
# TV assembly

9



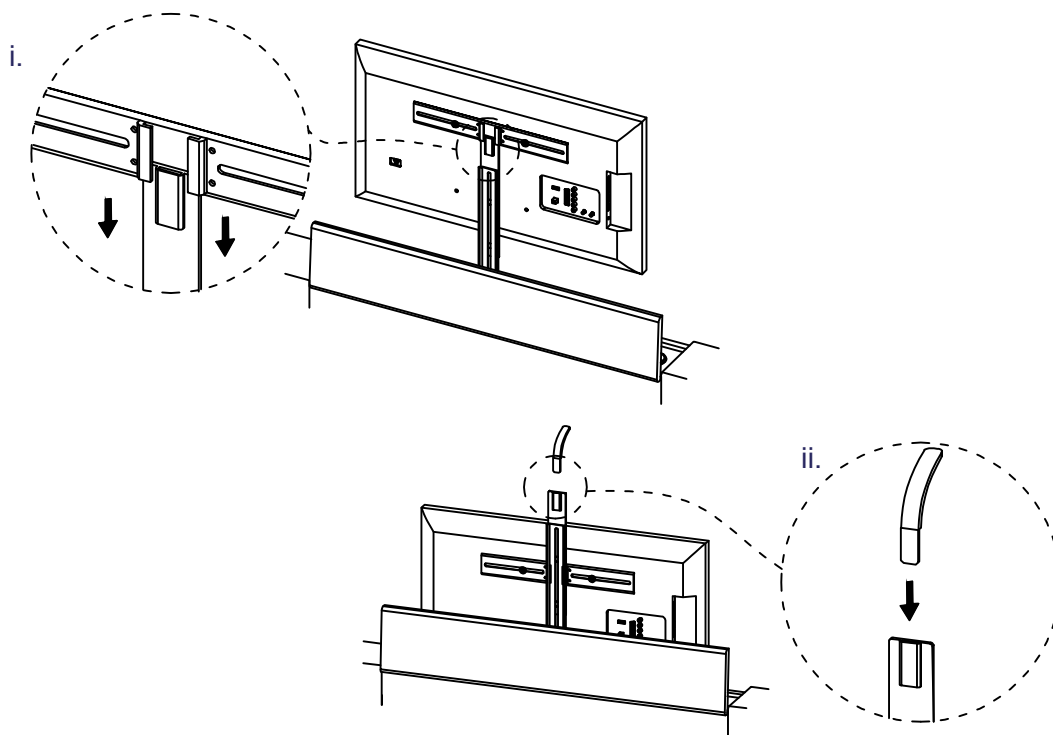
10

Use the hardware supplied with the television to connect to the TV bracket



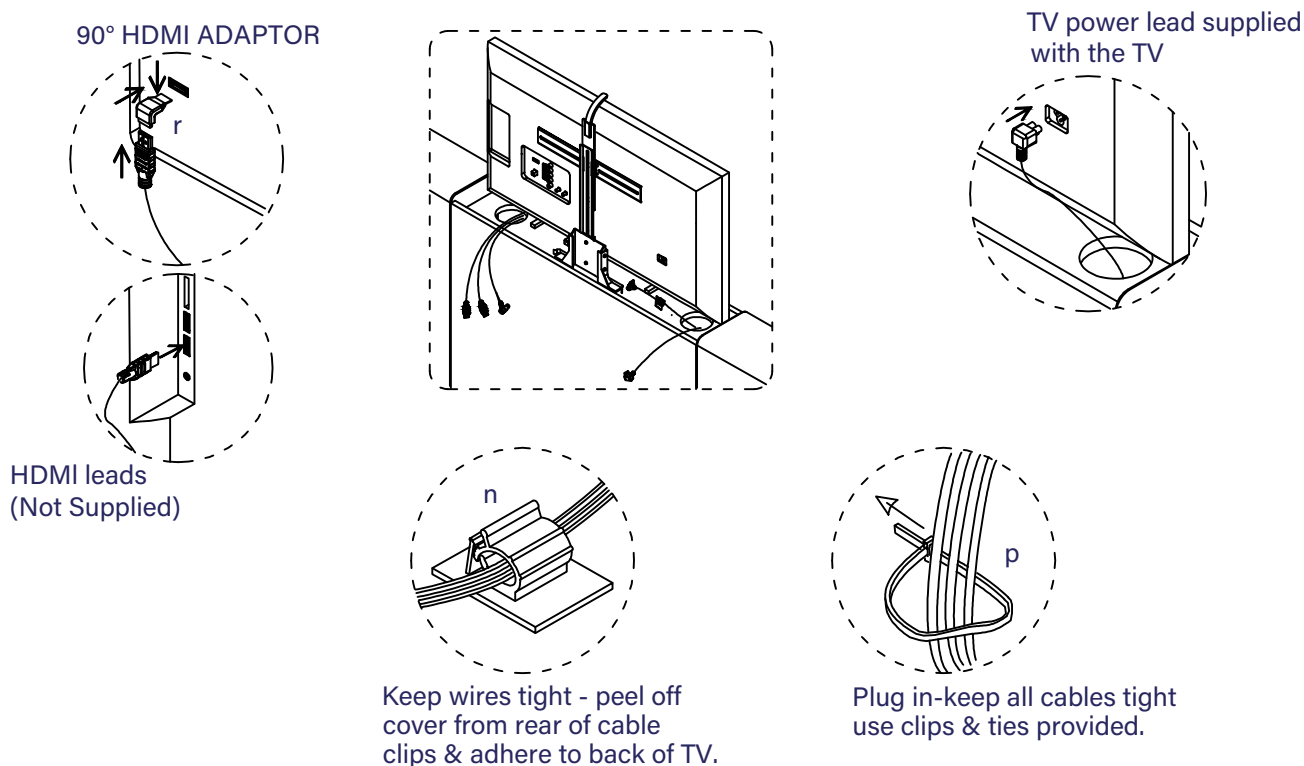
# TV assembly

## 11 Fitting the television.



## 12

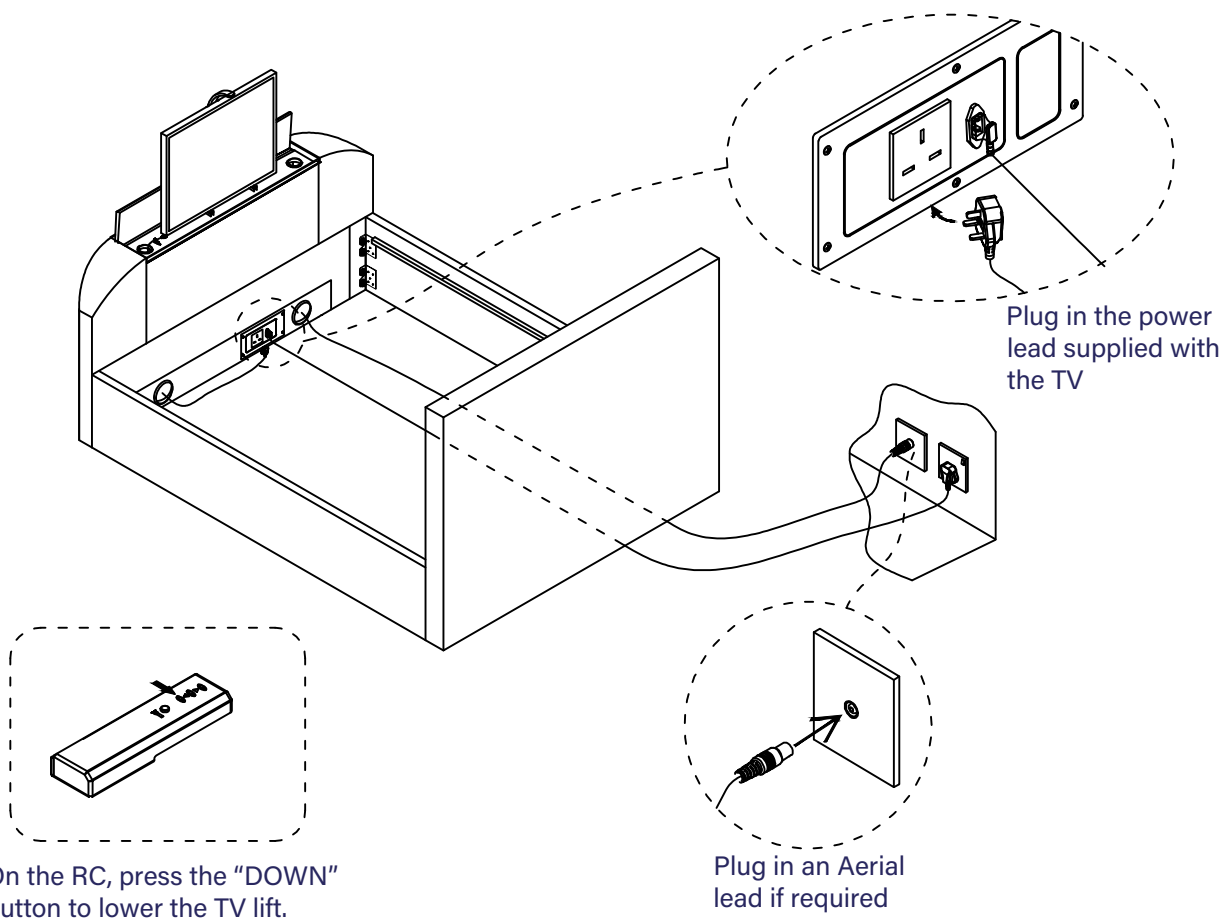
Note: For illustration purposes only, TV connections may vary.



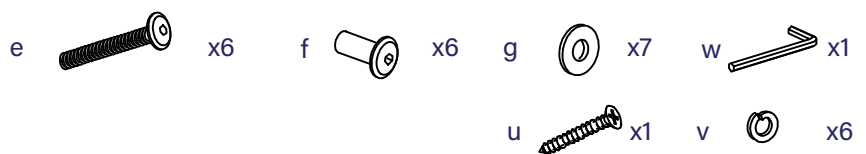
**IMPORTANT:** Care should be taken when connecting electrical items. If you are in any doubt about the connections please consult an approved electrician. If you still have a problem please contact your retailer for advice.

# TV assembly

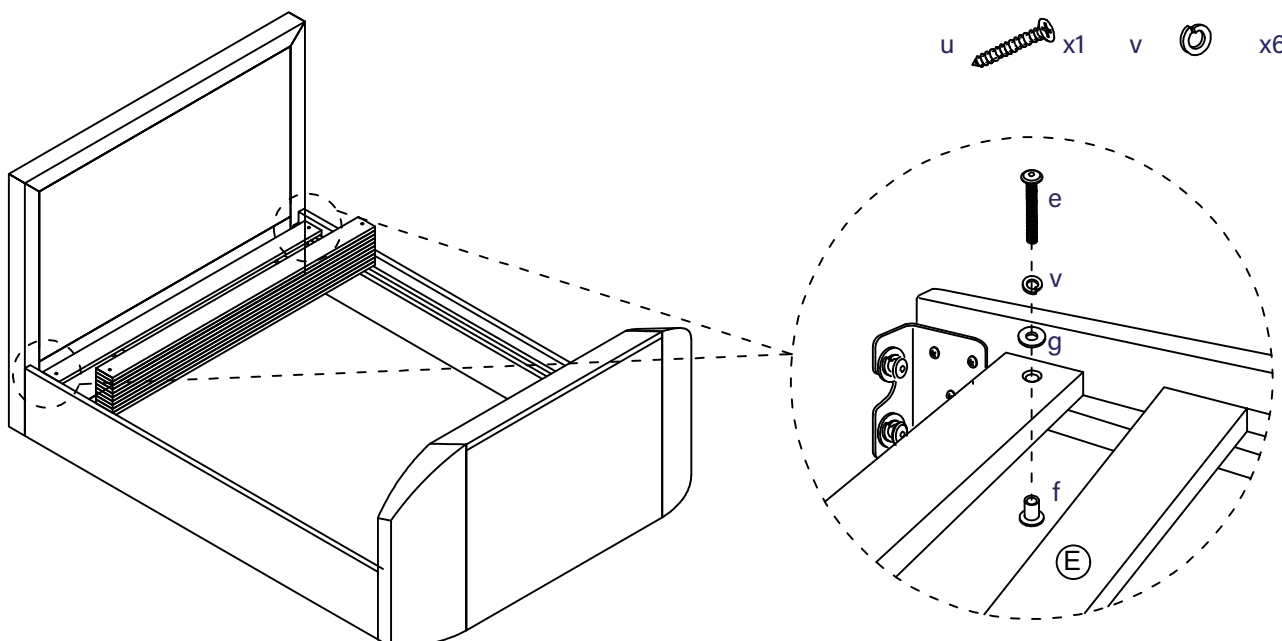
13



## 14a Wooden slat set assembly

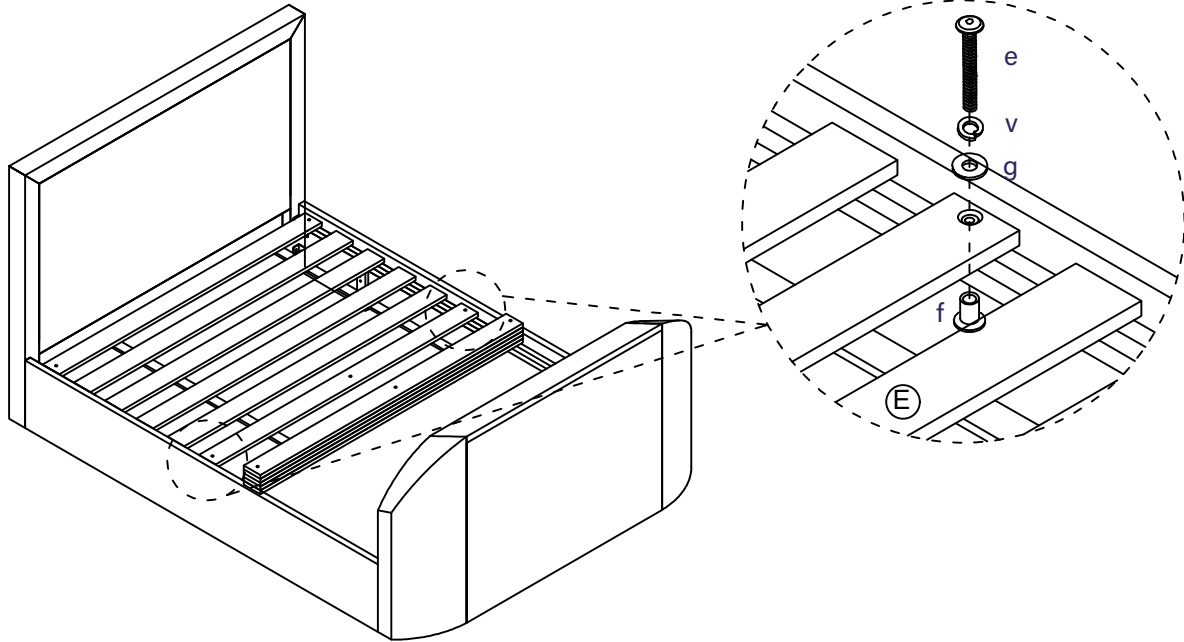


i)

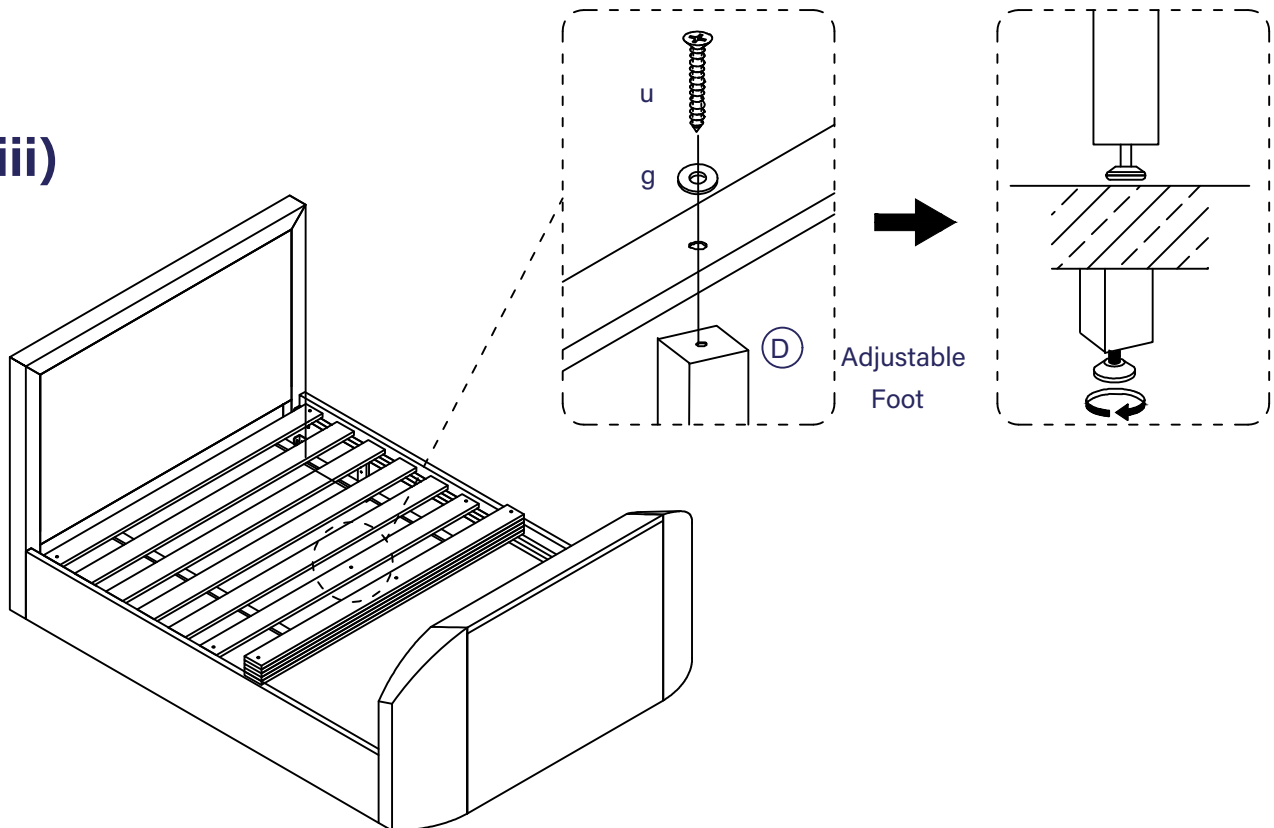


# Wooden slat set assembly

ii)

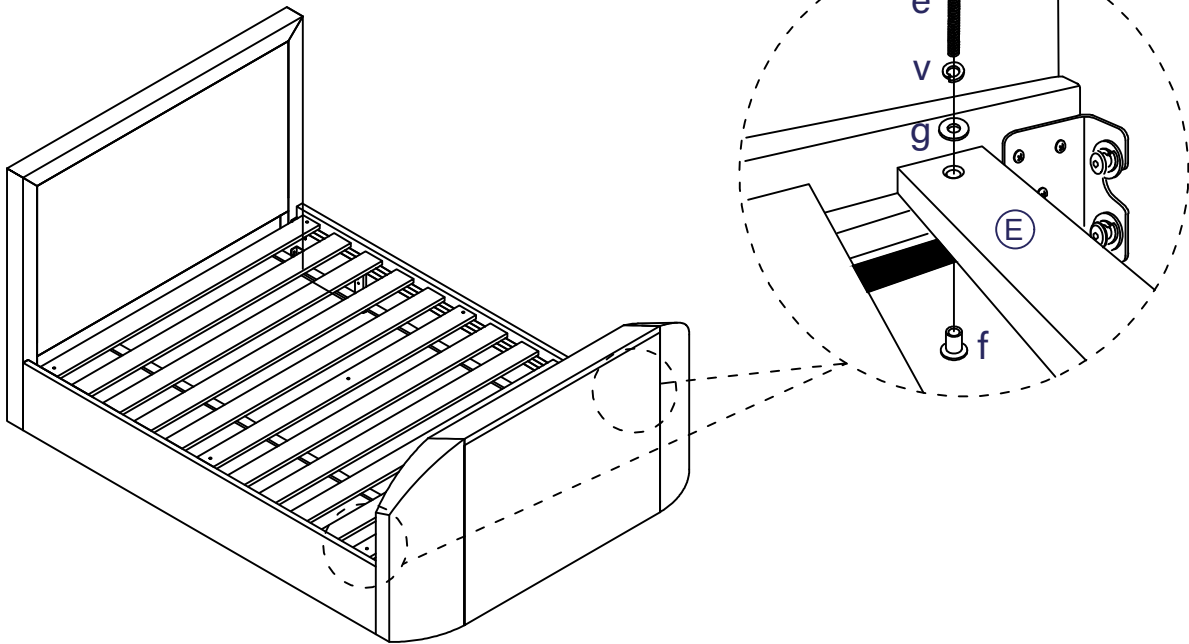


iii)



# Wooden slat set assembly

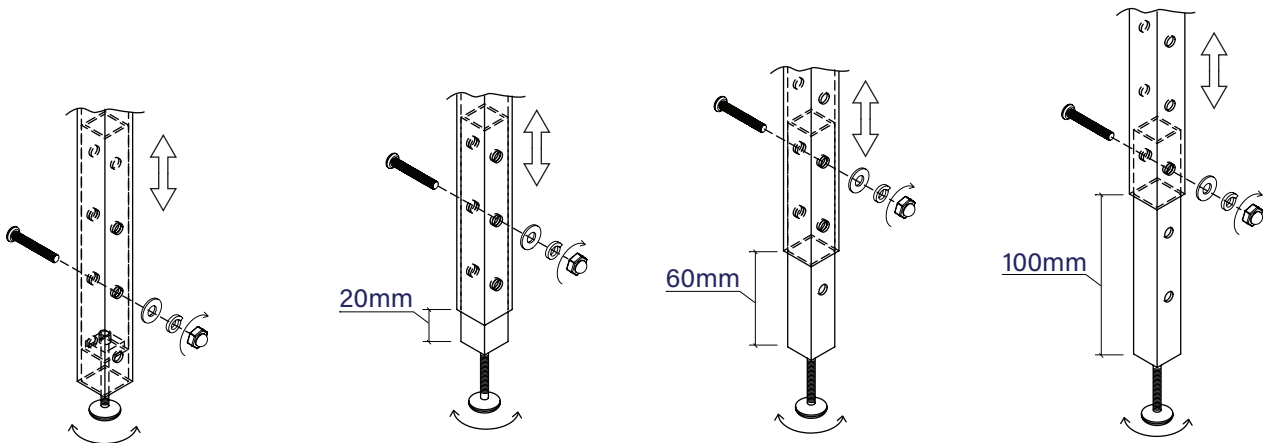
iv)



## 14b Sprung Slat Frame assembly

1. The support legs each have four adjustable parts that need to be set to suit the height of the bed slat frame. Please adjust the height of each leg by selecting the correct hole and inserting the bolts and nuts as shown.
2. You can fine-tune the height of each leg by screwing the adjustable foot in or out so it just touches the floor.

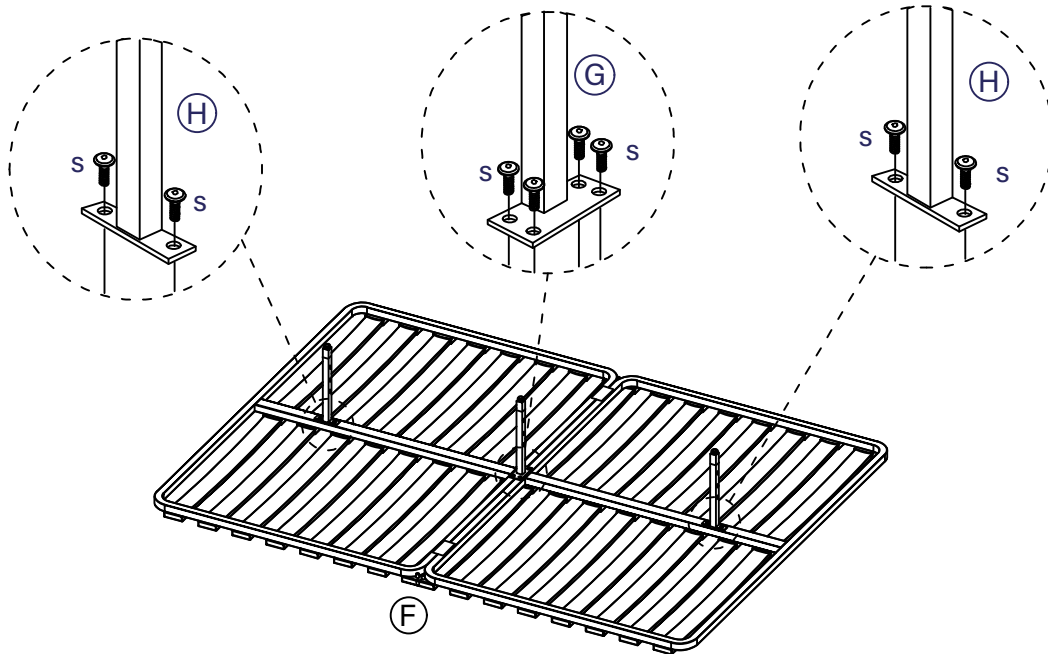
i)



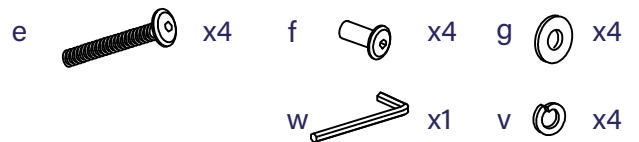
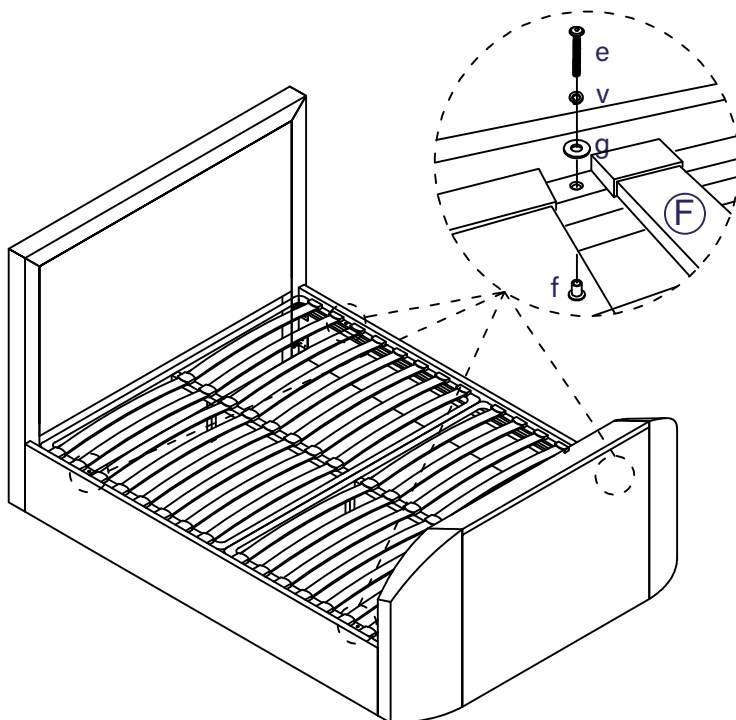
# Sprung Slat Frame assembly

ii)

Open the sprung slat frame and lay face down on the working surface. Fit the support legs (H & G) to the positions shown, securing with the bolts (s). Fully tighten using Allen key (w).



iii)



Open the sprung slat frame (F) turning it over so slats are on top, then carefully lay the frame onto the metal slat supports on each side rail. Align the frame with the fixing holes at each end and secure using four sets of bolts (e), spring washers (v) flat washers (g) and sleeve-nuts (f). When all bolt sets are in place, tighten them using allen key (w).

# Care and maintenance

Here are some tips to keep your new bed in tip-top condition



## Cleaning

To clean your new bed, we'd advise using a warm damp cloth - please do not use abrasive chemicals or bleach as this may damage the product.



## Checking and moving

Periodically we recommend you check that the screws or fixtures haven't become loose, over time. To move your new bed, we recommend lifting it where possible, as dragging or pushing it could cause damage to your flooring.



## Wood

Please note each of our wooden pieces are unique, meaning that markings and shade can vary slightly between beds. Over a period of time, the wood might lighten or fade slightly due to light exposure.



## Fabric

Please note depending on the lighting, positioning and surroundings of your room, the shade of the colour can sometimes appear slightly different. Over a period of time, the colour might lighten or fade slightly due to light exposure.



## Metal

Metal tends to be more resilient to everyday wear and tear. We recommend to gently dust your metal furniture and keep it dry to maintain its look.

**Thank you for shopping with us - we hope you have a great night's sleep**

*Sleep well*



# Little dreamers

Keep the little ones entertained while you assemble your new purchase.



# Dreams

Love your bed

PRODUCED IN CHINA FOR

Dreams Limited | Knaves Beech | High Wycombe | HP10 9YU | [www.dreams.co.uk](http://www.dreams.co.uk)  
Hometime Retail Limited | 6-16 Duncrue Crescent | Belfast | Antrim | BT3 9BW | [www.dreams.ie](http://www.dreams.ie)