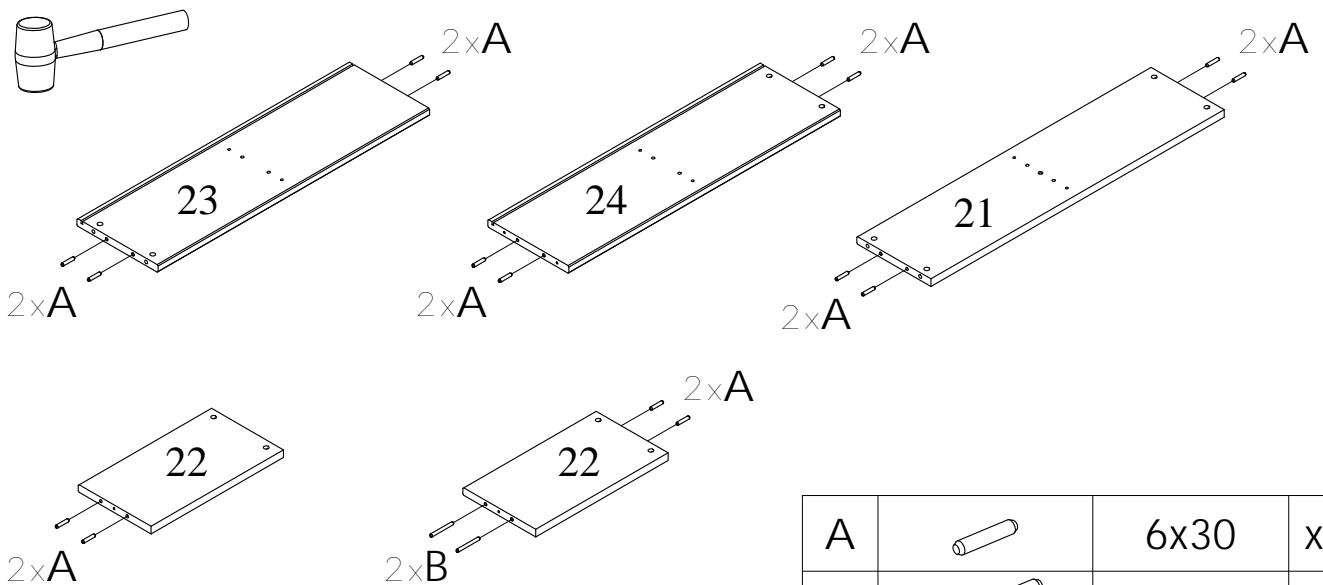


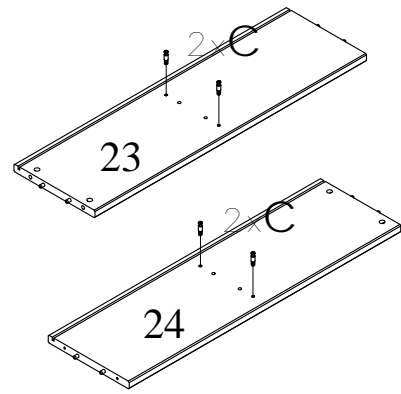
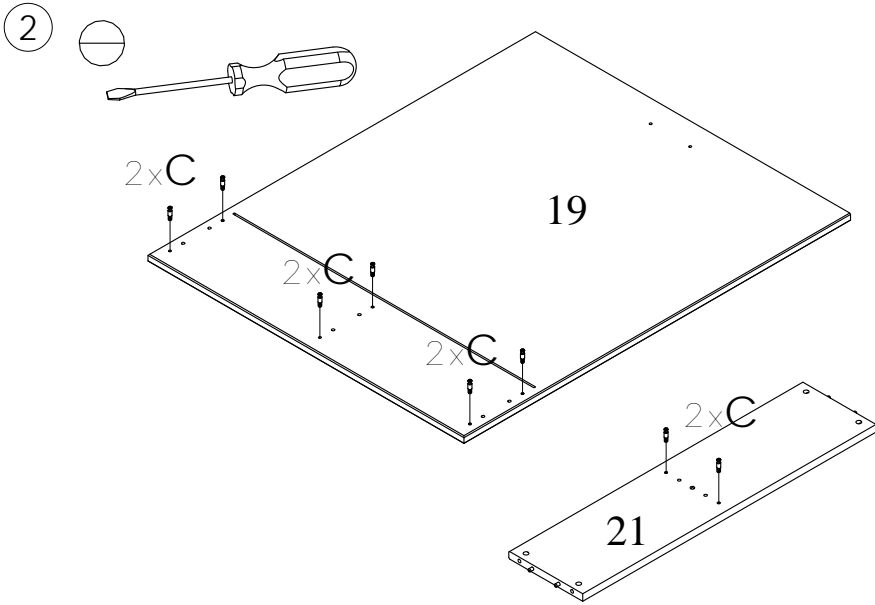
A		6x30	x16
B		6x55	x2
C		6,5x27	x12
D		10x11	x12
E		4,2x45	x6
F		D28	x2
G		3,5x16	x4


H		3x16	x3
J		3,5x20	x8
K		60x30x3	x2
L		4,5x50	x2
M		4,5x60	x2
N		4,5x30	x2

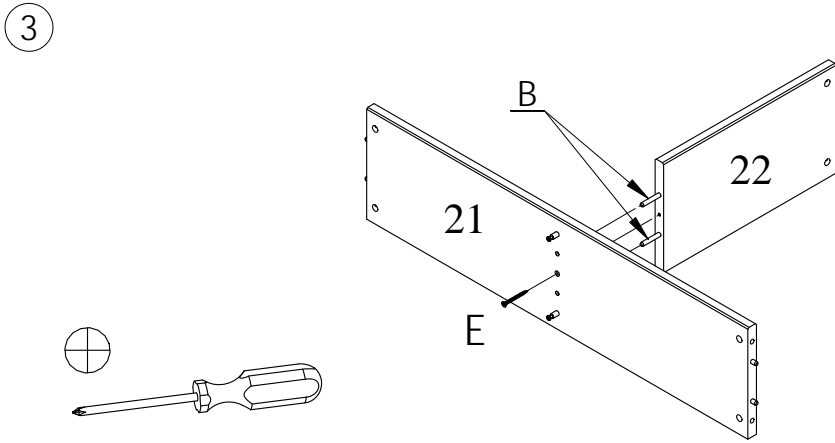
①




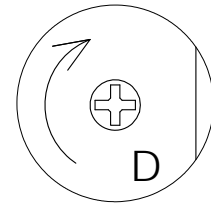
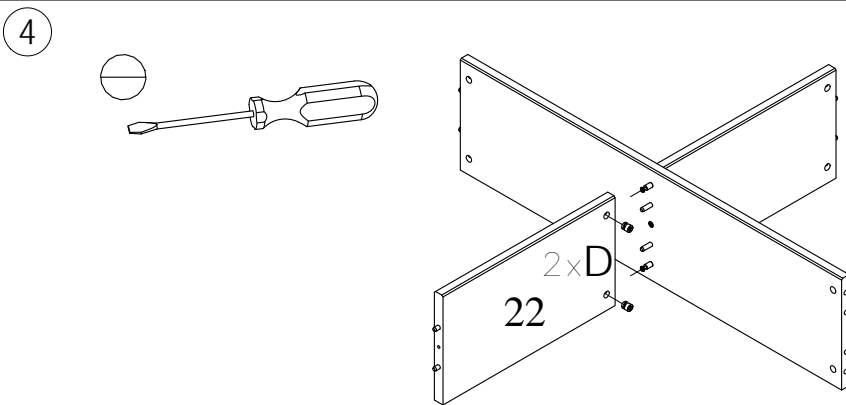
A		6x30	x16
B		6x55	x2



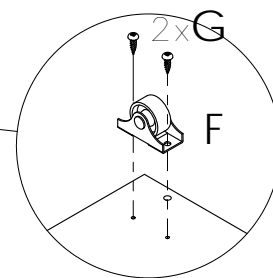
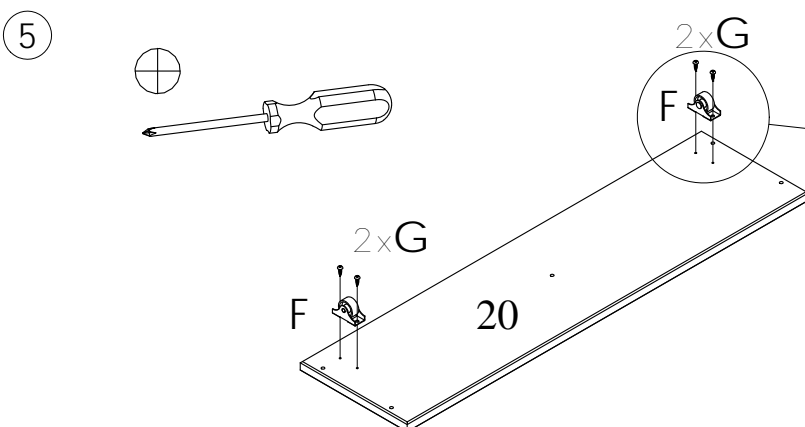
C		6,5x27	x12
---	---	--------	-----

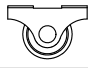



E		4,2x45	x1
---	---	--------	----

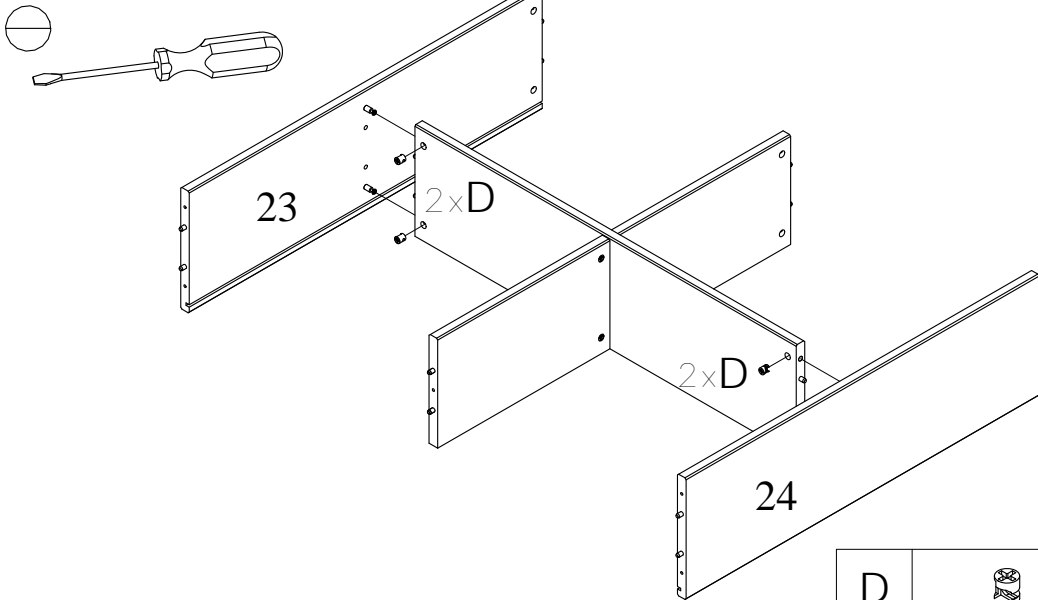


D		D10x11	x2
---	---	--------	----

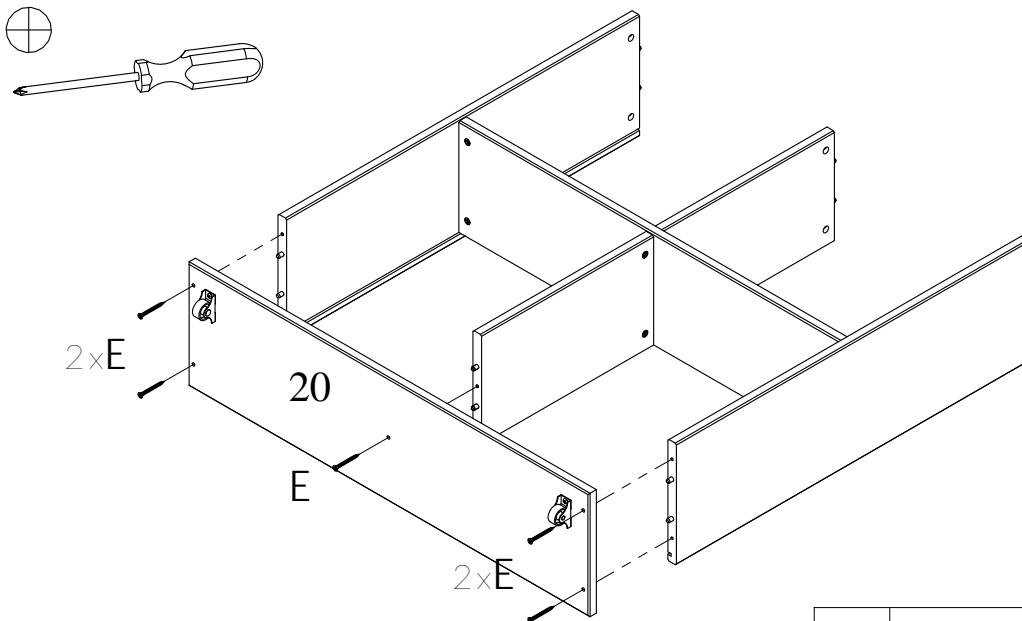


F		D28	x2
G		3,5x16	x2

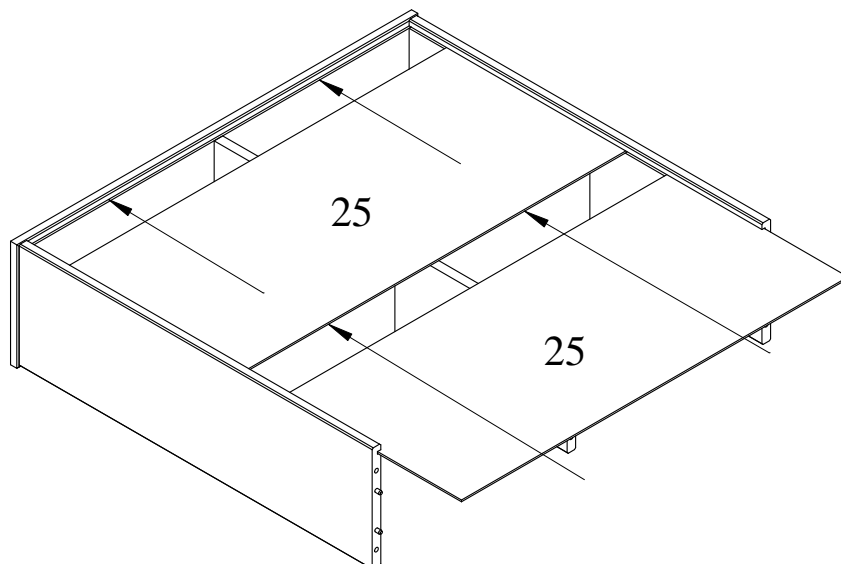
6



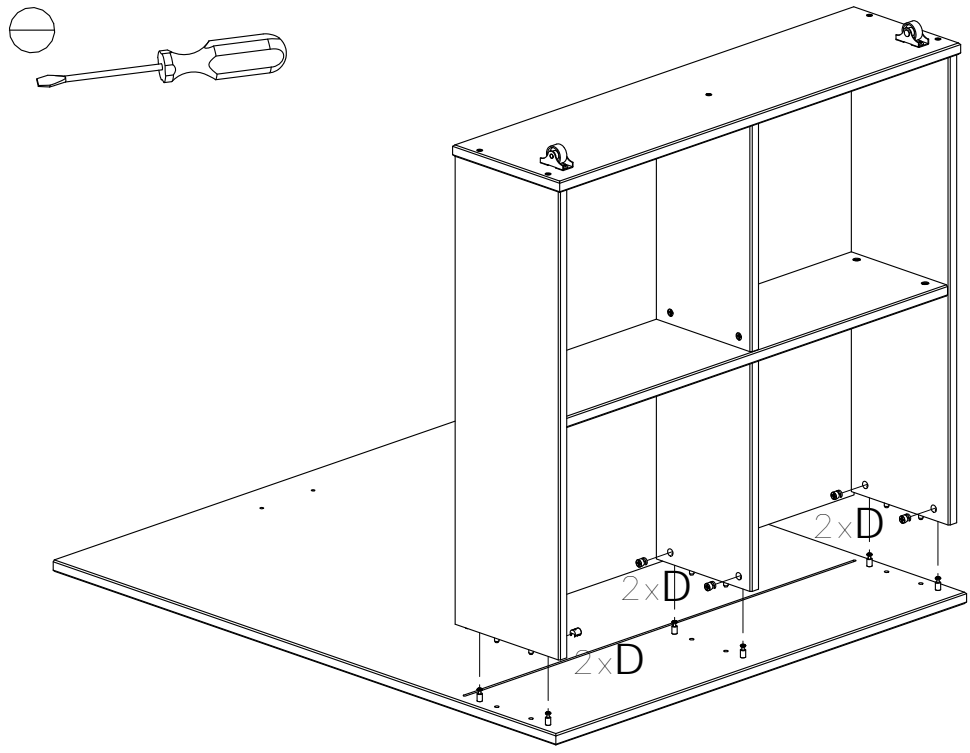
7




8

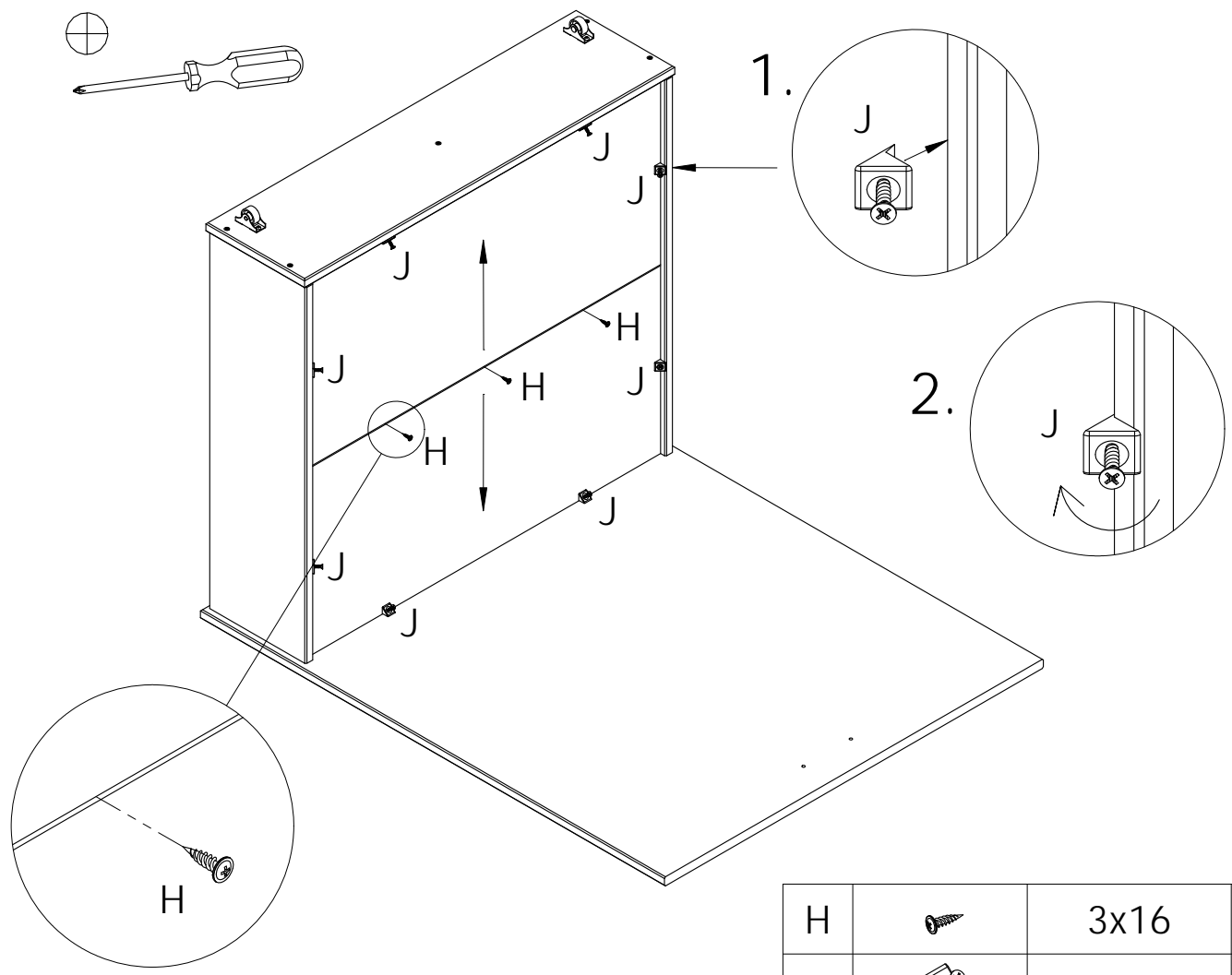


9



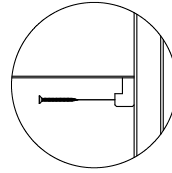
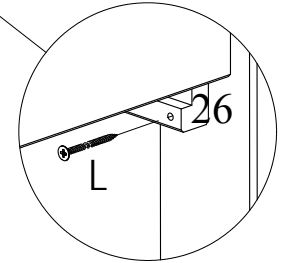
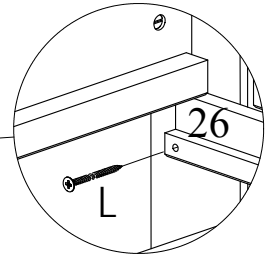
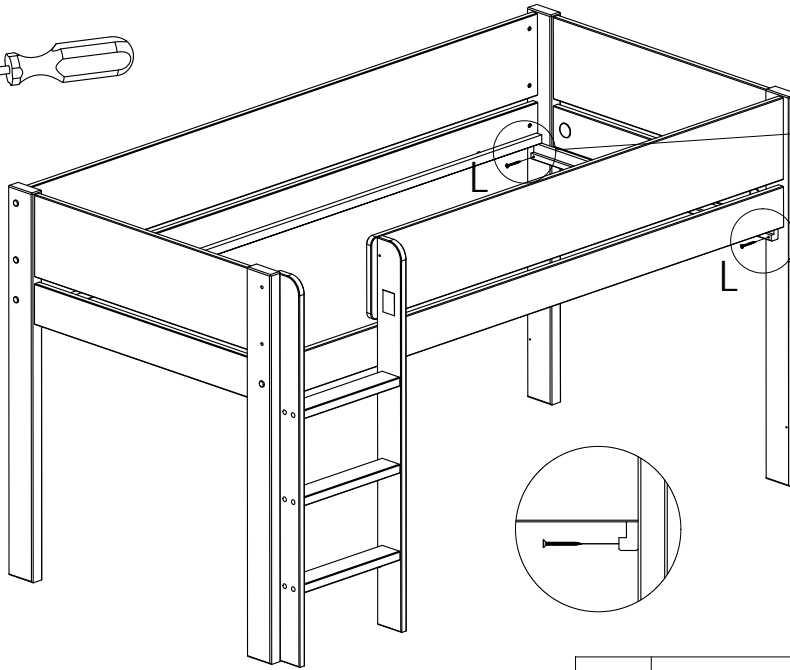
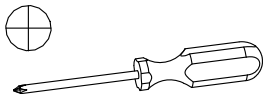
D		D10x11	x6
---	--	--------	----


10



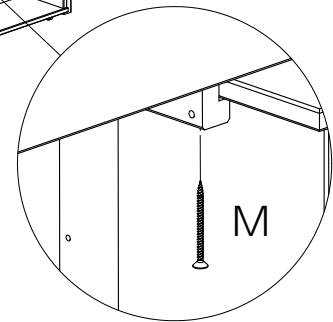
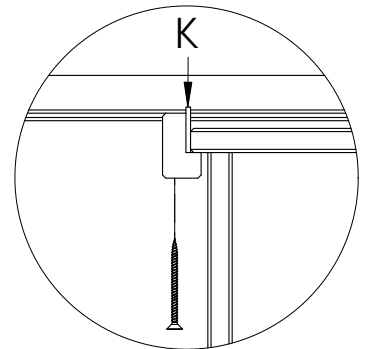
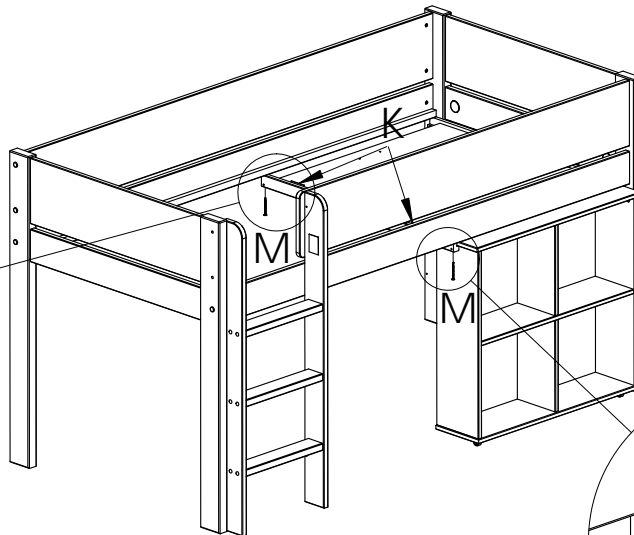
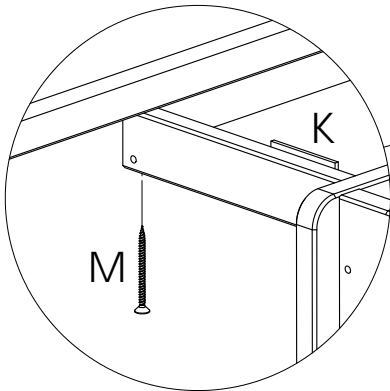
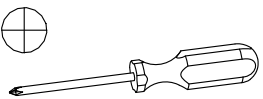
H		3x16	x3
J		3,5x20	x8



11



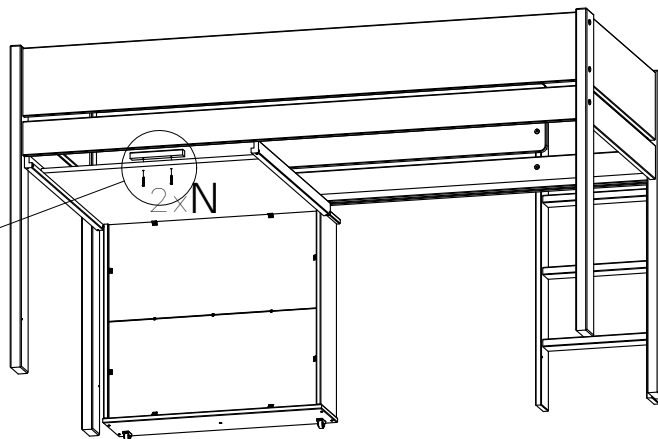
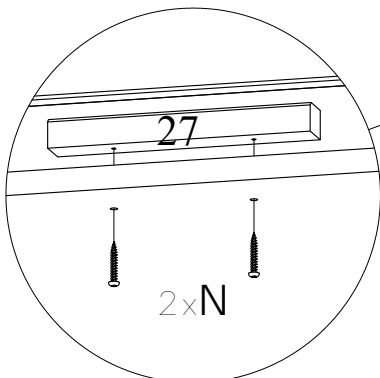
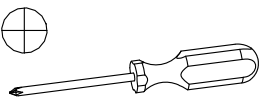
L		4,5x50	x2
---	---	--------	----


12



K		60x30x3	x4
M		4,5x60	x2

13



N		4,5x30	x2
---	---	--------	----