

PLEASE READ this sheet prior to assembly to familiarise yourself with the various stages of construction. Carefully open the cartons supplied and check the contents against the parts and fittings check list.

Do not destroy any of the packaging until you are certain that you have all the necessary parts for the assembly.

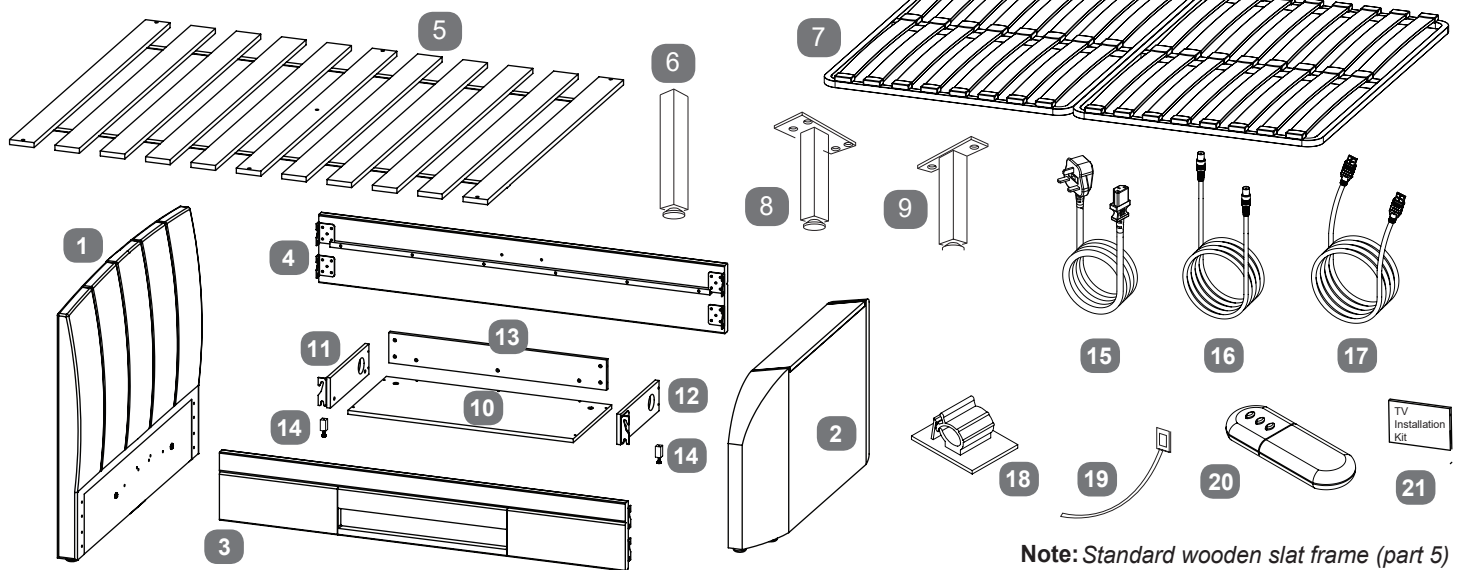
Please ensure that the packaging is disposed of in a safe, environmentally friendly way.

Choose which side the Media tray should be placed then follow the following instructions step by step.

CAUTION: There are small components used in the construction of this unit. During assembly, these loose items should be kept away from young children to avoid the danger of choking.

**IMPORTANT: BEFORE STARTING TO ASSEMBLE THE BED - PLEASE READ THESE INSTRUCTIONS CAREFULLY.**

### Parts Identification



**Note:** Standard wooden slat frame (part 5)  
Upgraded sprung slat frame (part 7)

### Parts Checklist

Ref.	Description	Qty	Ref.	Description	Qty
1	Headboard	1	11	Media Tray Side Panel - L	1
2	Footboard	1	12	Media Tray Side Panel - R	1
3	Side Rail - With Media Tray	1	13	Media Tray Back Panel	1
4	Side Rail - Without Media Tray	1	14	Media Tray Support Legs	2
5	Wooden Slat Set	1	15	Mains Power Lead - 3 mt	1
6	Wooden Slat Set Support Leg	1	16	Aerial Lead - 4 mt	1
7	*Upgraded Sprung Slatted Frame*	1	17	HDMI Lead - 5 mt	1
8	*Sprung Slatted Frame Centre Support Leg*	1	18	Cable Clips	5
9	*Sprung Slatted Frame Support Legs*	2	19	Cable Ties	5
10	Media Tray Base Panel	1	20	TV Lift Remote	1
			21	TV Installation Kit	1

\* Only supplied if upgraded sprung slat frame system chosen Legs (8&9) only supplied with sprung system

# Fittings Checklist

## HARDWARE NEEDED FOR FITTING SIDE RAILS TO HEADEND & FOOTEND PACKED IN SIDE RAIL PACK 3 - HARDWARE PACK (A)

Ref	Description	Qty	Ref.	Description	Qty
A	Bolts (M8x30mm) for fitting side rails (3&4) to headboard & footboard (1&2)	x16	C	Flat Washers (for M8 bolts)	x16
B	Spring Washers (for M8 bolts)	x16	D	Allen Key (for M8 bolt)	x1

## HARDWARE NEEDED FOR ASSEMBLING AND FITTING MEDIA TRAY TO SIDE RAIL (3) PACKED IN MEDIA TRAY PACK 4 - HARDWARE PACK (B)

Ref	Description	Qty	Ref.	Description	Qty
A	Bolts (M8x30mm) for fitting media tray legs (14) and fitting media tray to side panel (4)	x6	M	Screws (5x50mm) for assembling Media Tray panels	x11
C	Flat Washers (for M8 bolts)	x4	N	Plastic Barrel Nuts for assembling Media Tray panels	x11

## HARDWARE NEEDED FOR FITTING SOLID WOOD SLATS OR UPGRADED SPRUNG SLAT FRAME PACKED IN SIDE RAIL PACK 3 - HARDWARE PACK (C)

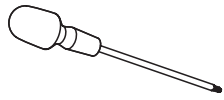
Ref	Description	Qty	Ref.	Description	Qty
E	Bolts (M6x40mm) for fitting the wooden slat set (5) or the sprung slat frame (7) to side rails (3&4)	x6	H	Allen Key (for M6 bolt)	x1
F	Sleeve Nuts - M6	x6	J	Screw (5x50mm) for fitting slat support leg (6)	x1
G	Flat Washers (for M6 bolts & 5mm screw)	x7	K	Spring Washers (for M6 bolts)	x6

## EXTRA HARDWARE NEEDED FOR FITTING UPGRADED SPRUNG SLAT FRAME

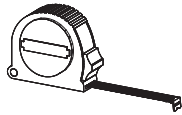
**Note:** The following fittings will be found in the box which contains the upgraded metal frame itself.

L	Bolts (M6x15mm) for fitting support legs (9&10) to the sprung slat frame (8)	x8	8	Sprung slat frame centre support leg	x1
9	Sprung slat frame end support legs	x2			

## Additional Tools Required



Cross-head Screwdriver



Tape Measure

## Care & Maintenance

In the unlikely event of missing or damaged parts, please contact the customer service team on 0344 292 00 00. When calling this number, please quote the part code reference numbers shown in this leaflet when requesting spare or replacement parts.

## General Hints & Tips



Please retain your assembly instruction and tools provided for future use. Periodically check that all bolts are still tight.

Assembly requires two persons.

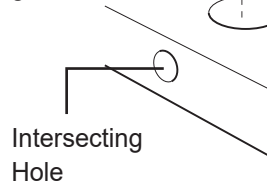


1.5 HRS

Approximate time to assemble this product



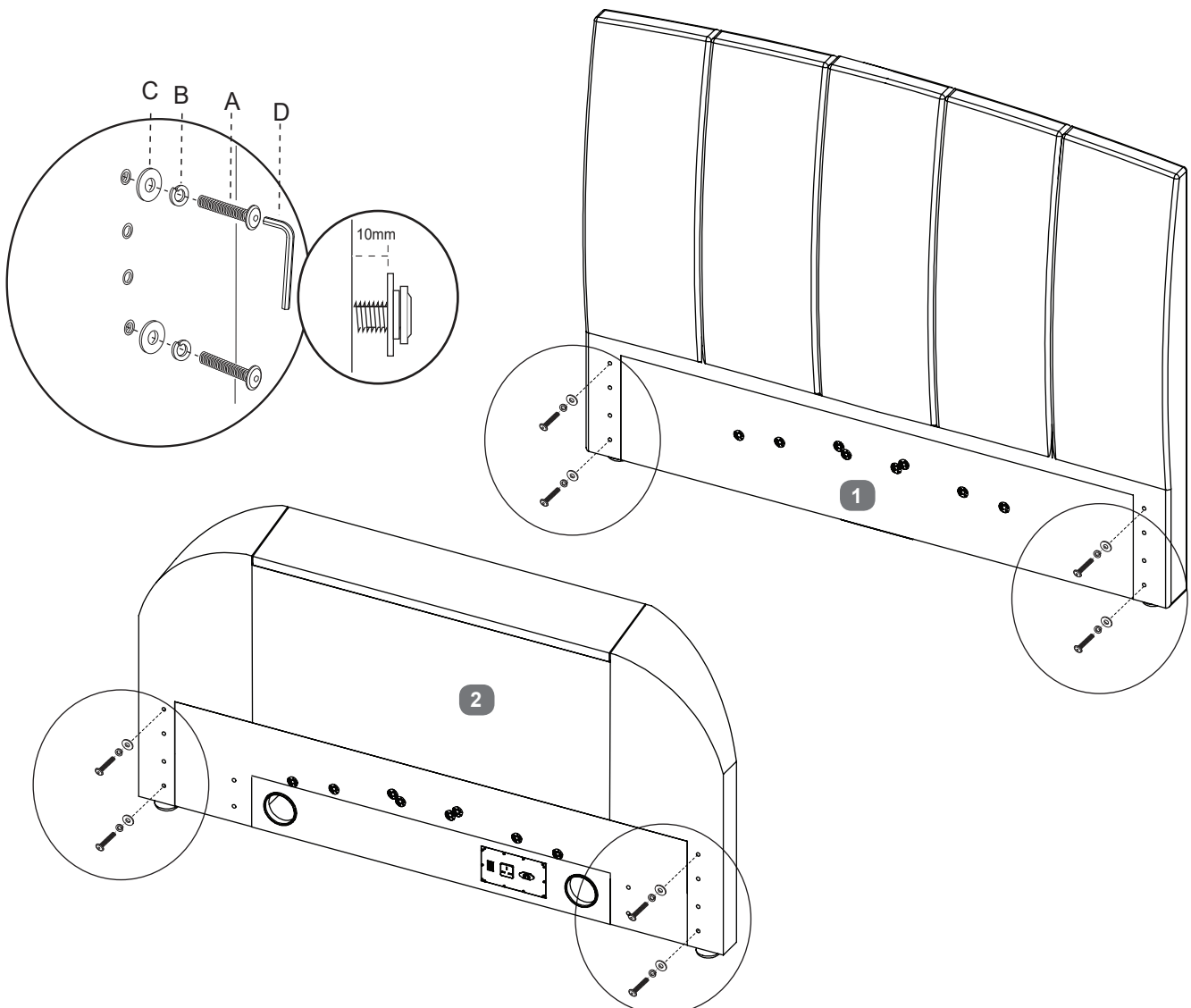
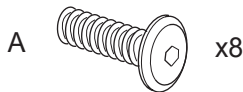
When they are supplied and are part of the assembly of this bed, ensure that the barrel nuts are fitted the correct way so the hole in the nut is facing towards the intersecting hole in the panel.



We recommend the bed is assembled in the room it shall be located in.

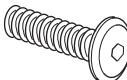



## Prepare Head & Foot Ends for assembly - Use Pack 'A'

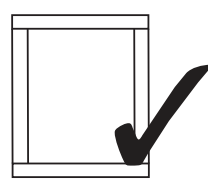
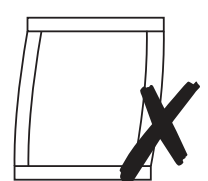
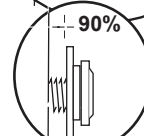
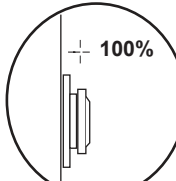
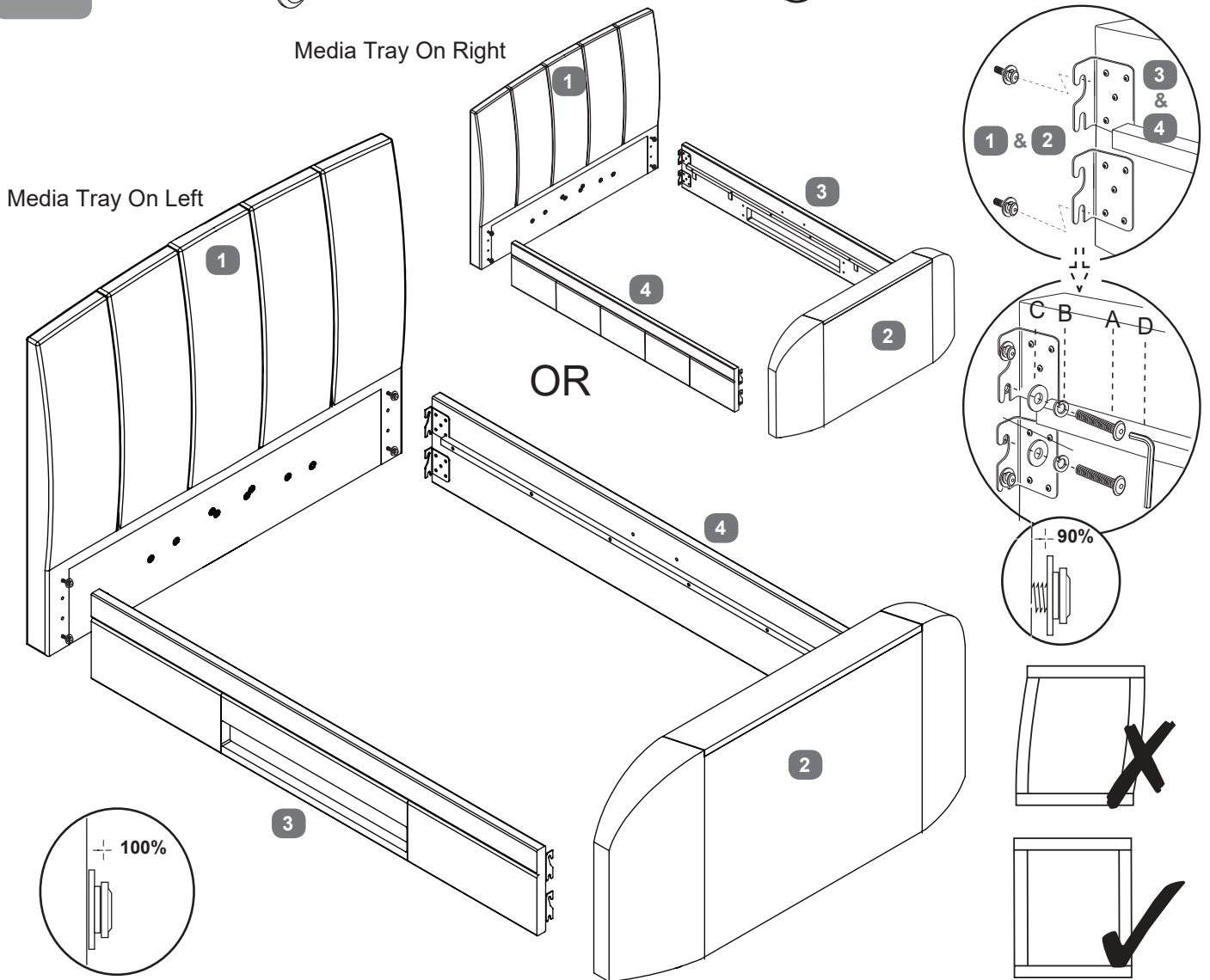
Stage  
1



# Fitting Side Rails - Use Pack 'A'

Stage  
2

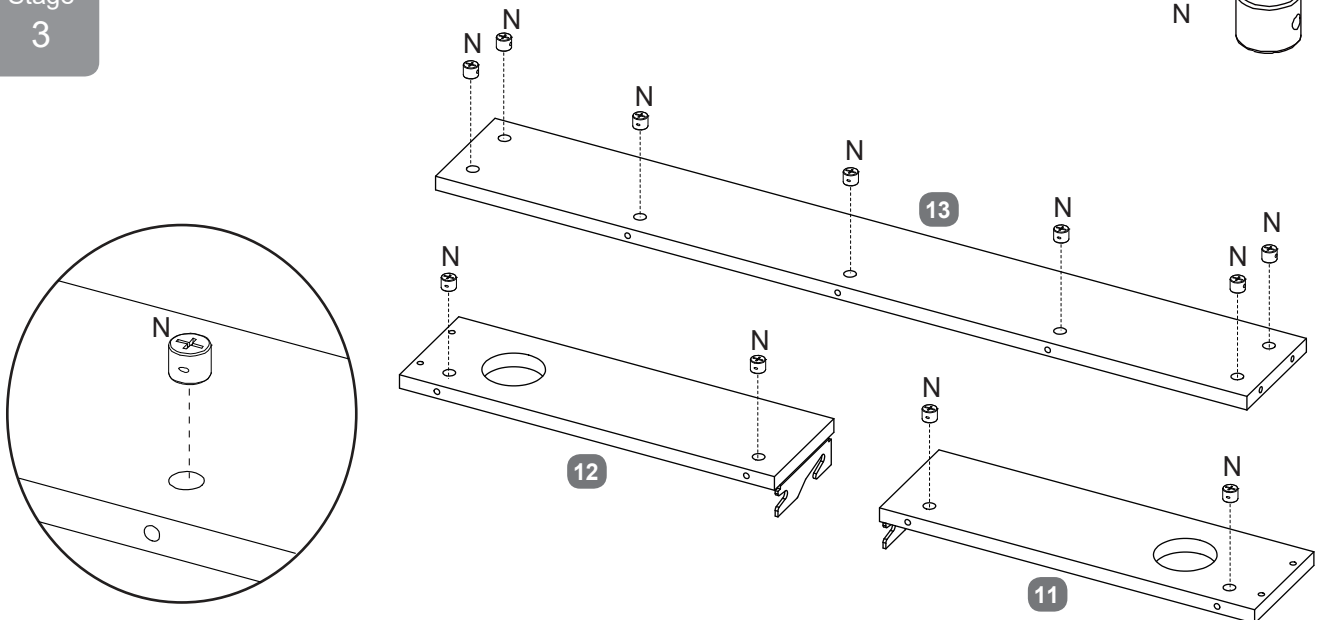
- A  x8
- B  x8
- C  x8
- D  x1



# Assemble Media Tray - Use Pack 'B'

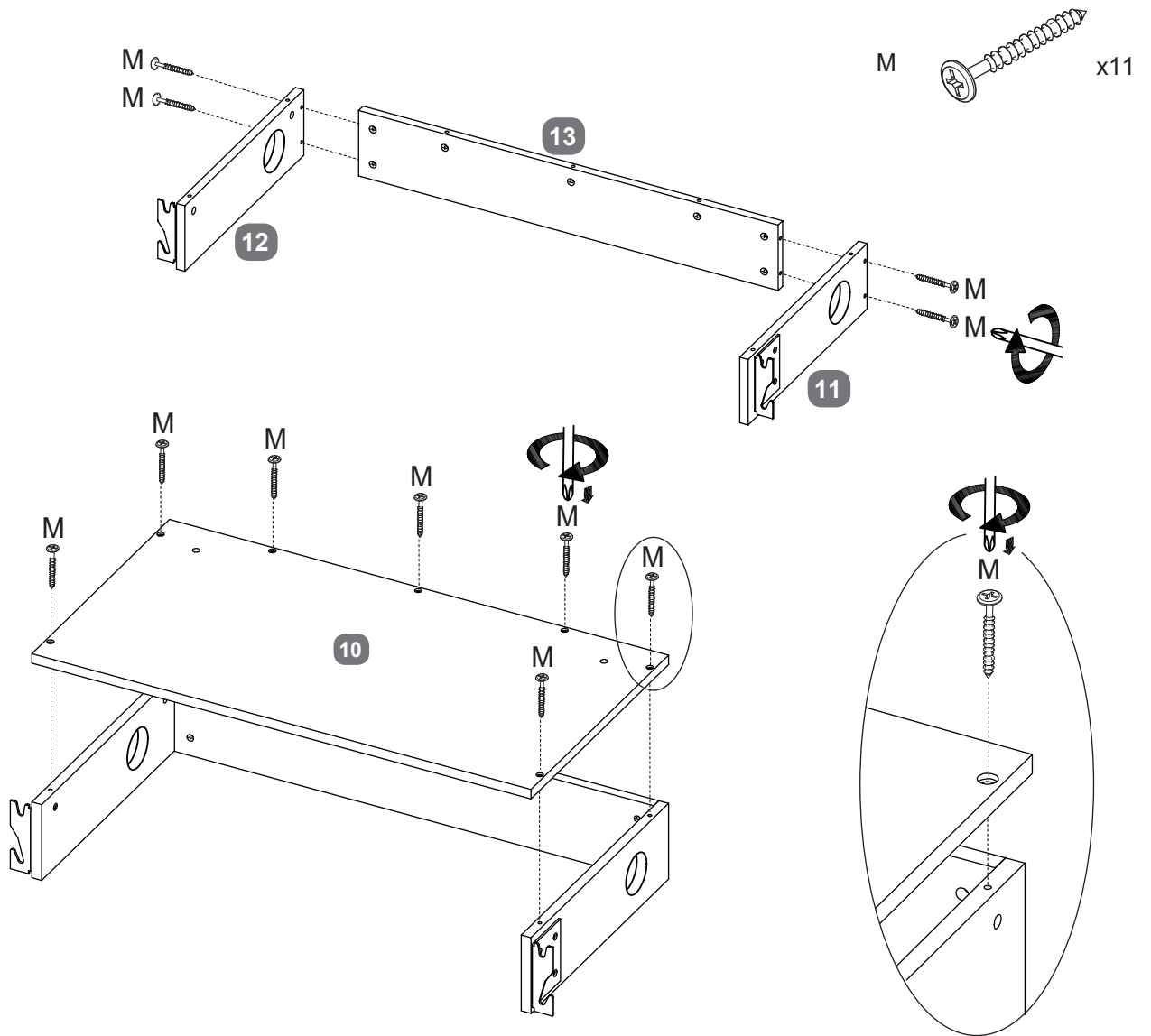
Stage  
3

- N  x11

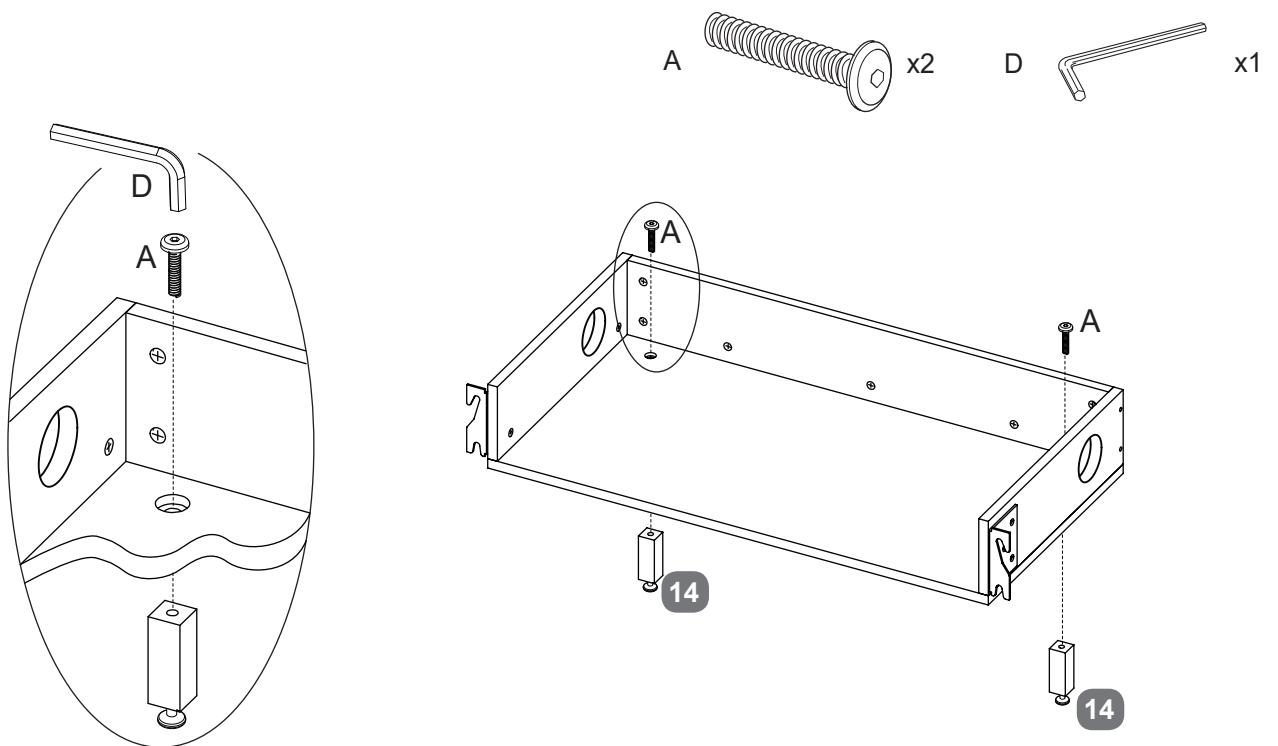


# Assemble Media Tray - Use Pack 'B'

Stage  
4

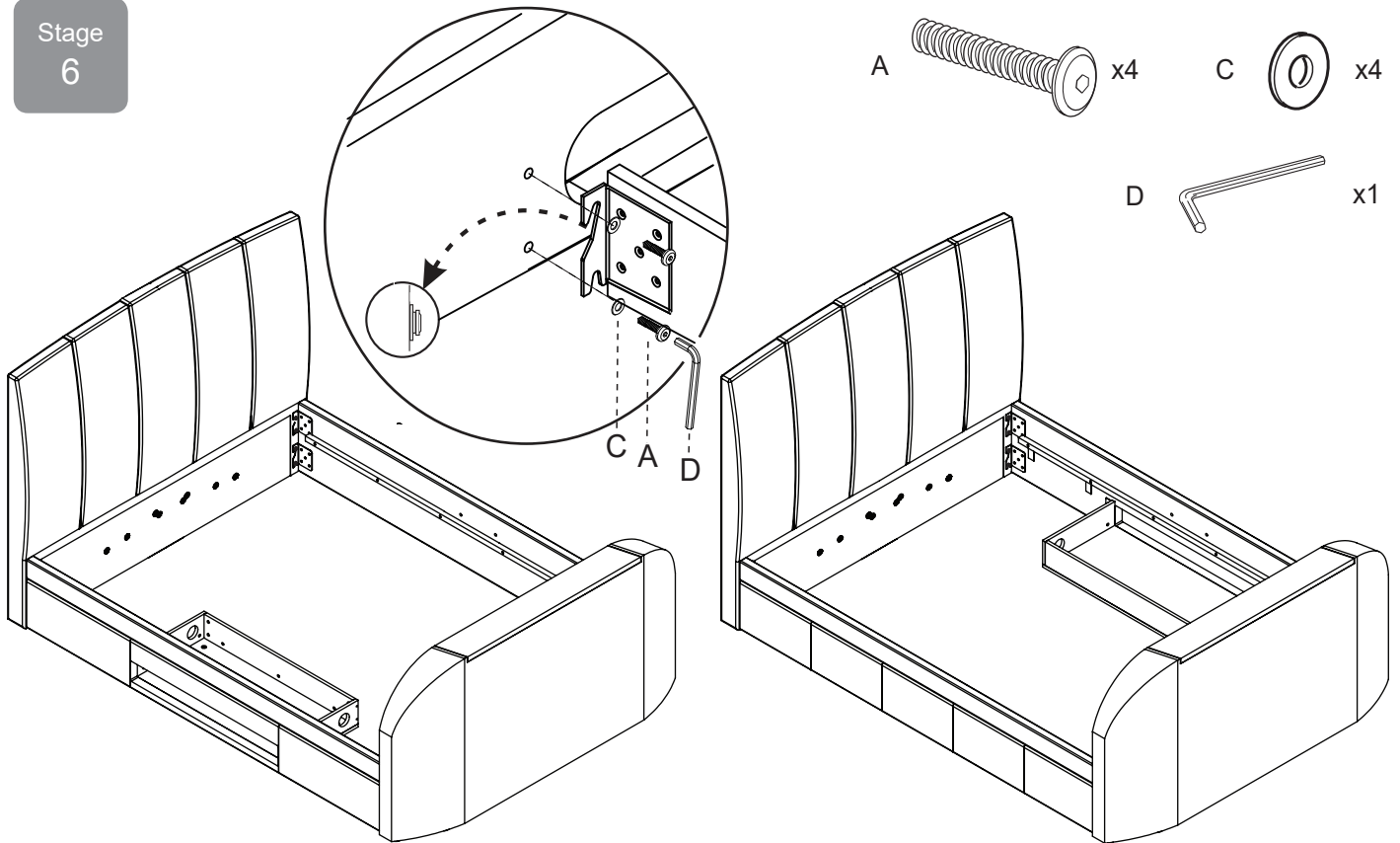


Stage  
5



## Fitting Media Tray - Use Pack 'B'

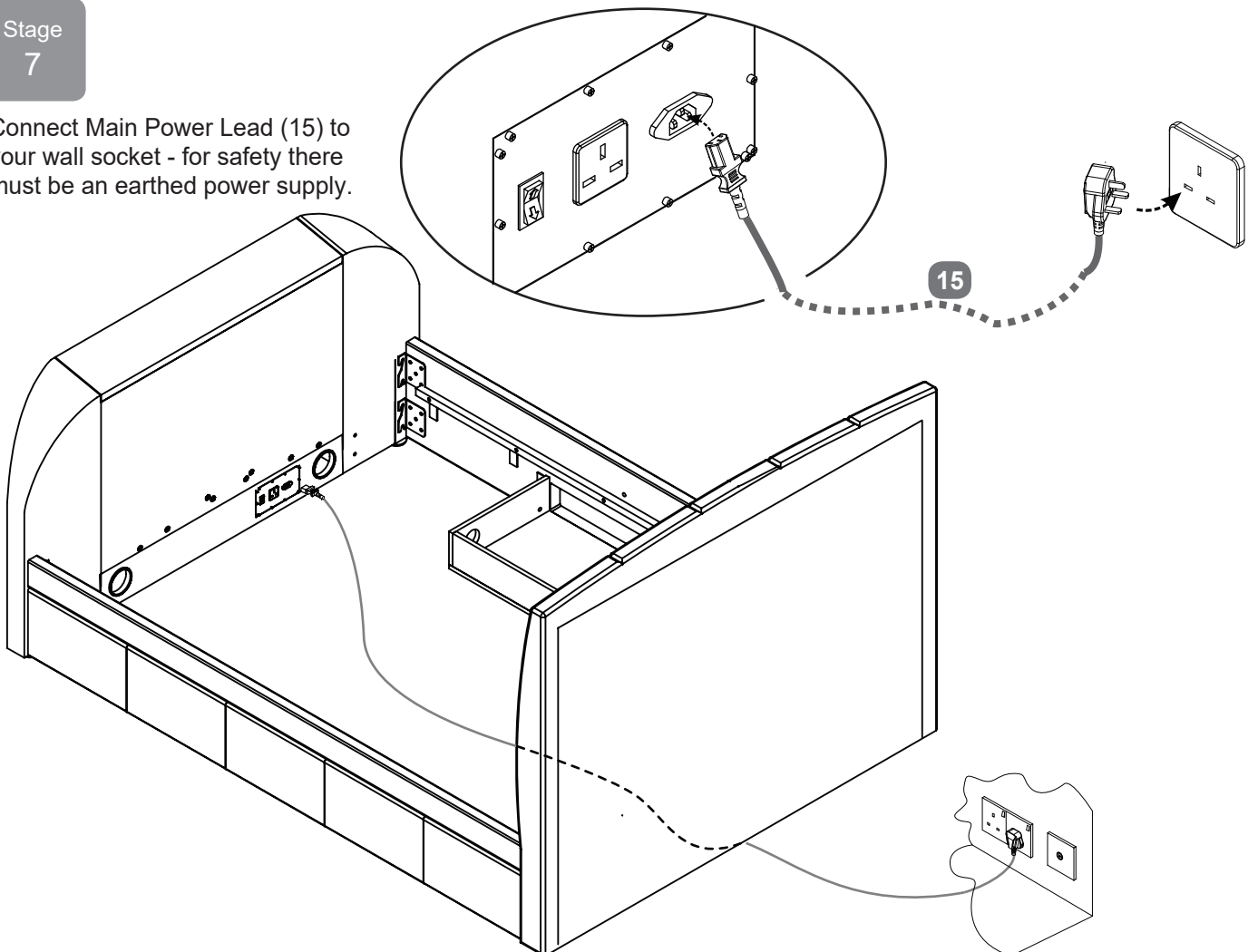
Stage  
6



## Electrical & Cable Connections

Stage  
7

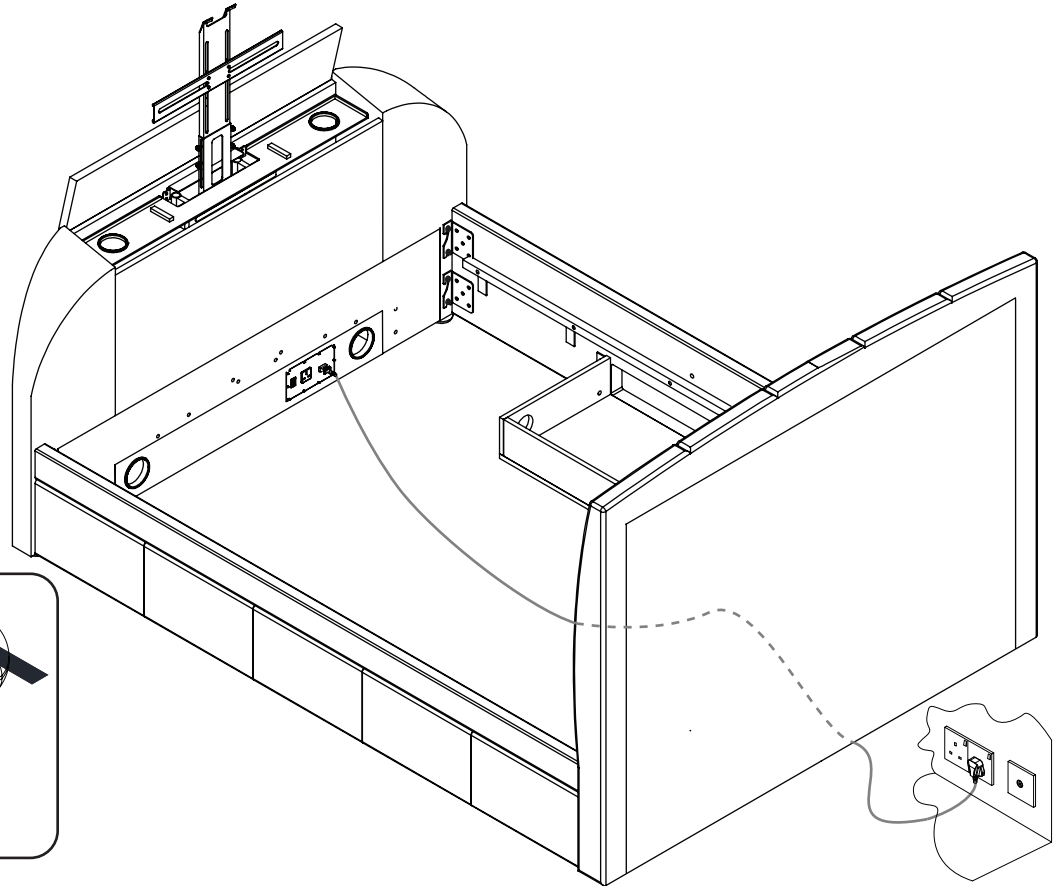
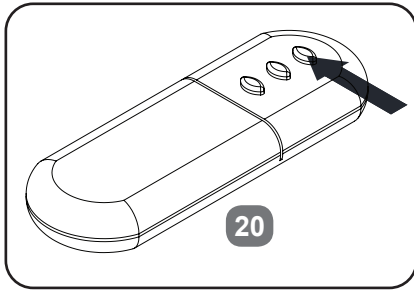
Connect Main Power Lead (15) to your wall socket - for safety there must be an earthed power supply.



## Electrical & Cable Connections

Stage  
8

Press the "UP" button to raise the TV lift.

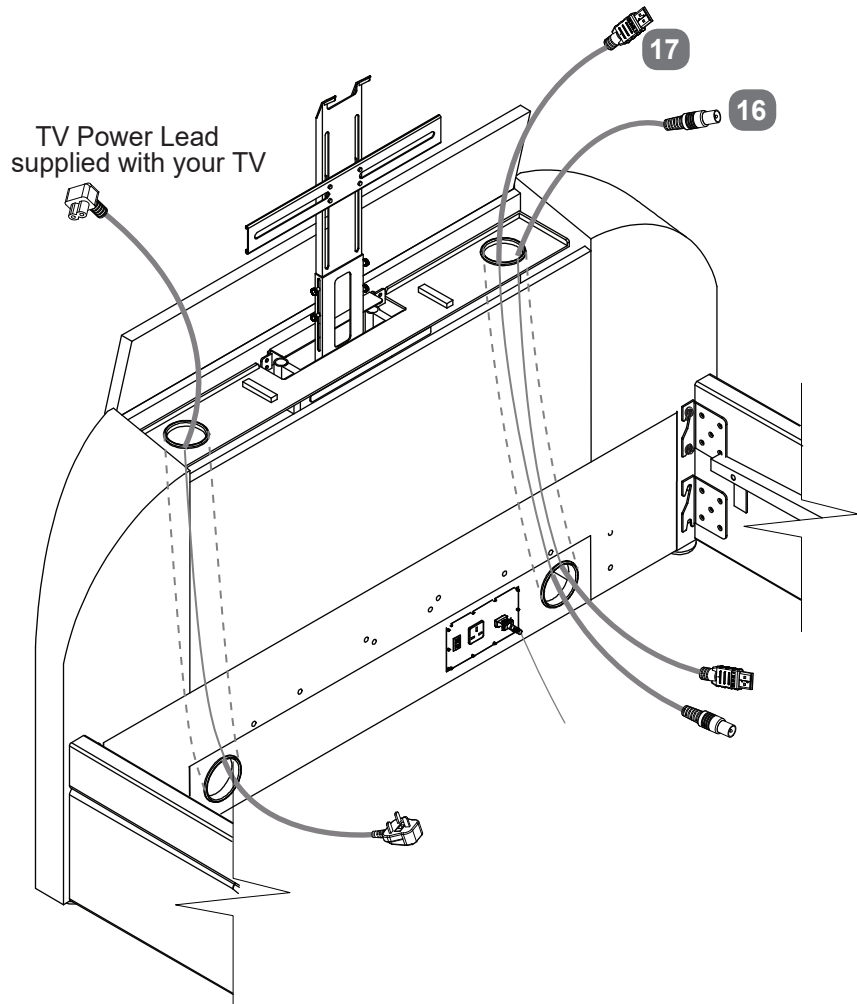


**Note: For illustration purposes only, TV connections may vary.**

Stage  
9

### TIP:

BEFORE FITTING THE TV, PUSH CABLES THROUGH EACH DUCT FROM THE TOP. CHOOSE THE BEST SIDE TO USE DEPENDING ON WHERE THE CONNECTION PORTS ARE ON BACK OF YOUR TV. NEVER CROSS CABLES FROM ONE SIDE TO THE OTHER.

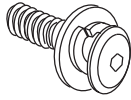


# TV Installation - Normal Vesa Fixing

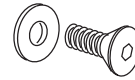
Stage  
10

IF SCREWS ARE SUPPLIED WITH TV, PLEASE USE THOSE IN PREFERENCE

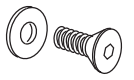
a x2 Screw-Washer sets (M8x25mm). Use 5mm Allen Key (D)



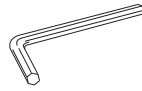
Counter-Sunk Screws (M6x12mm)



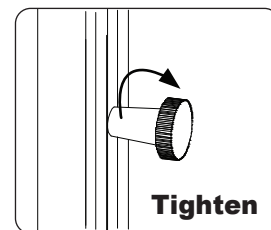
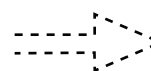
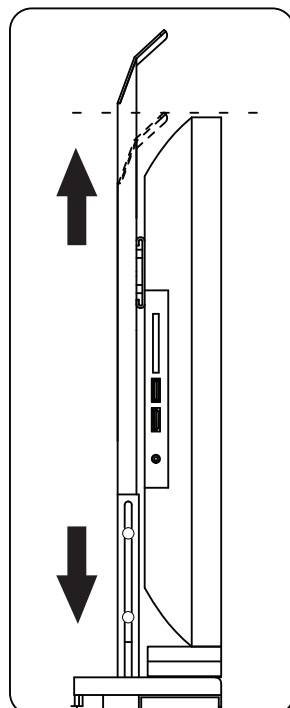
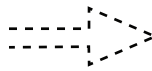
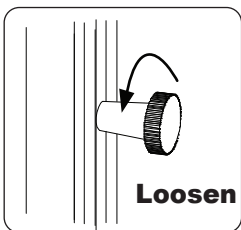
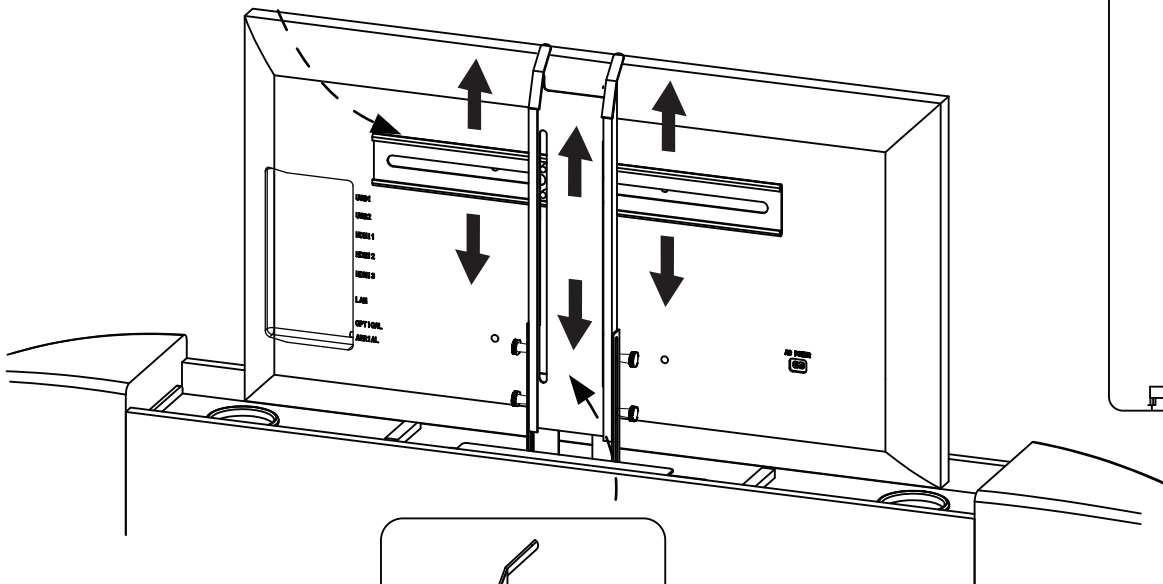
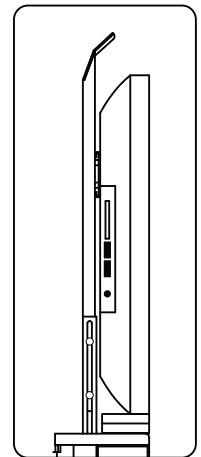
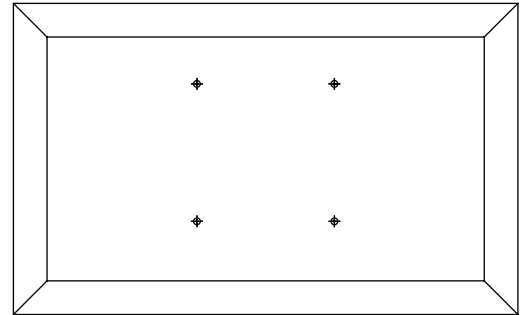
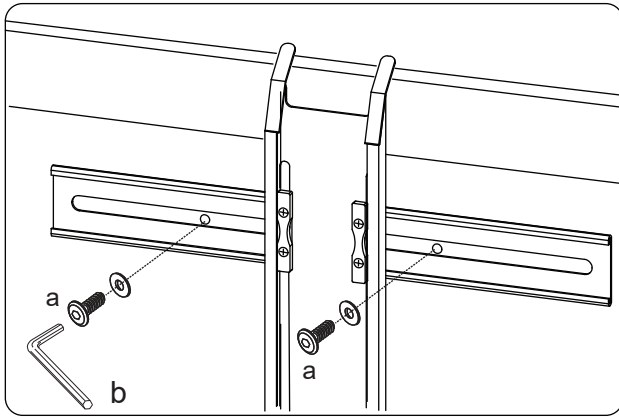
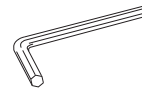
Counter-Sunk Screws (M4x12mm)



b x2 Allen Key (4mm)



Allen Key (2.5mm)

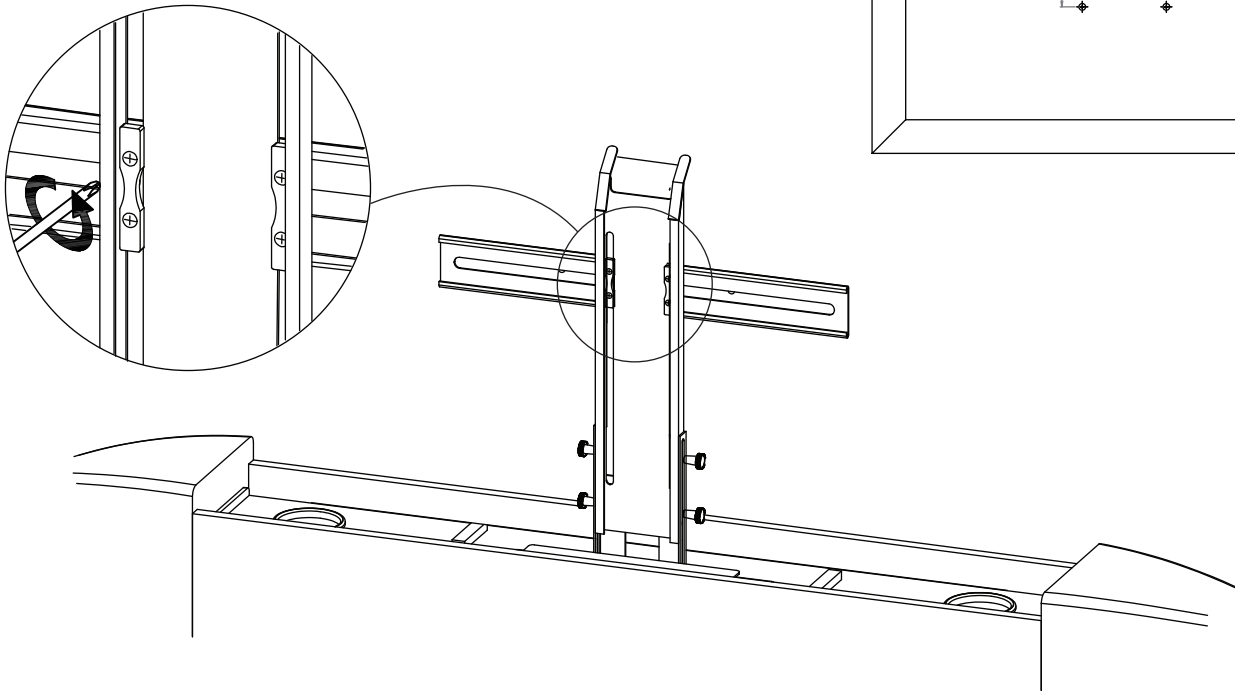
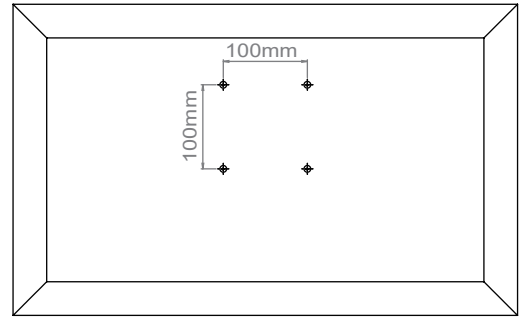




# TV Installation - 100x100 Vesa Fixing

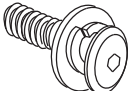
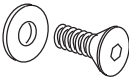
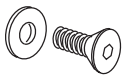
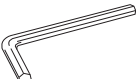

Stage  
11a

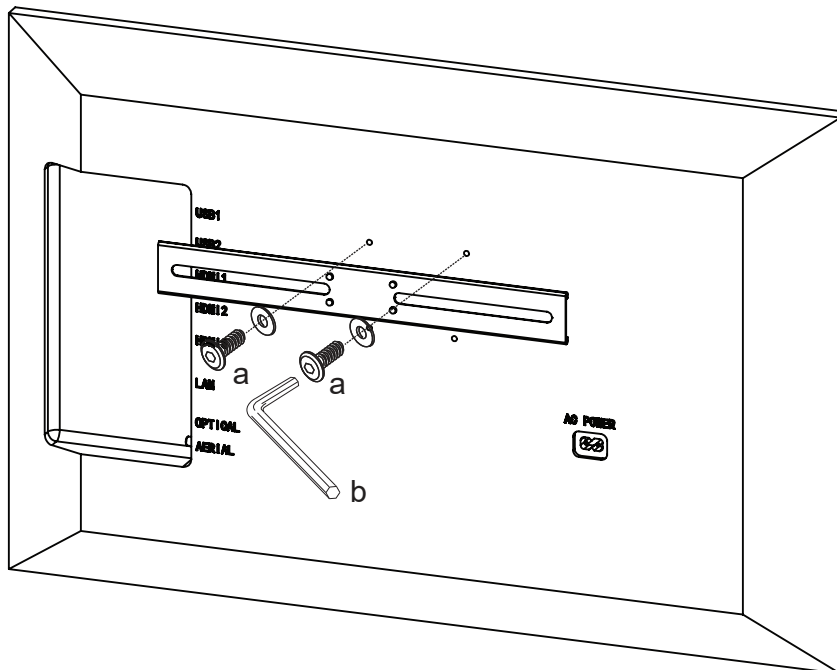
REMOVE CROSS-BRACKET  
AND FIX DIRECTLY TO BACK OF TV



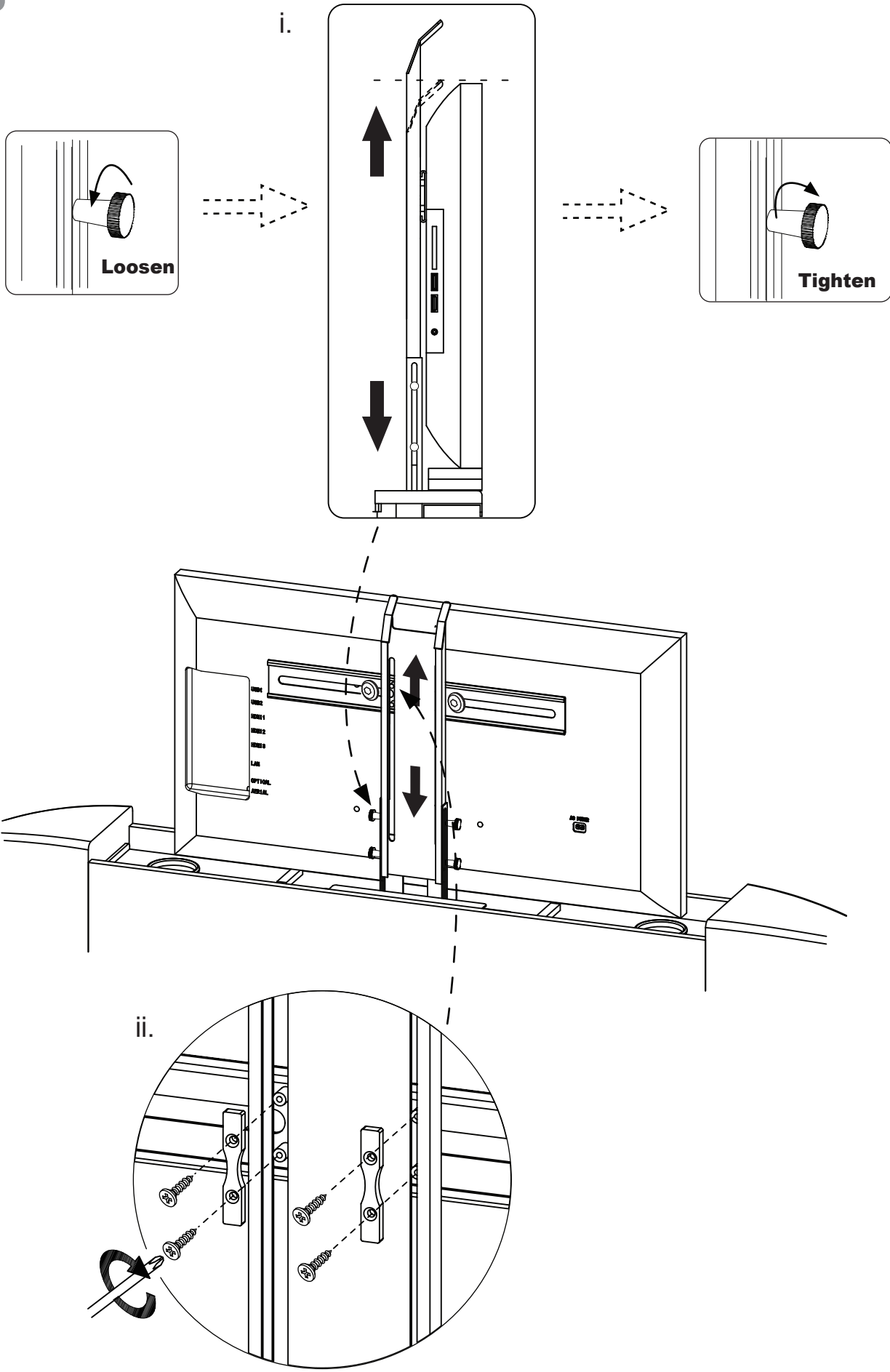
Stage  
11b

IF SCREWS ARE SUPPLIED WITH TV, PLEASE USE THOSE IN PREFERENCE

- |      |  |   |                               |   |                               |   |
|------|--|---|-------------------------------|---|-------------------------------|---|
| a x2 | Screw-Washer sets (M8x25mm)<br>Use 5mm Allen Key (D) |  | Counter-Sunk Screws (M6x12mm) |   | Counter-Sunk Screws (M4x12mm) |  |
| b x2 | Allen Key (4mm)                                      |  | Allen Key (2.5mm)             |  |                               |   |



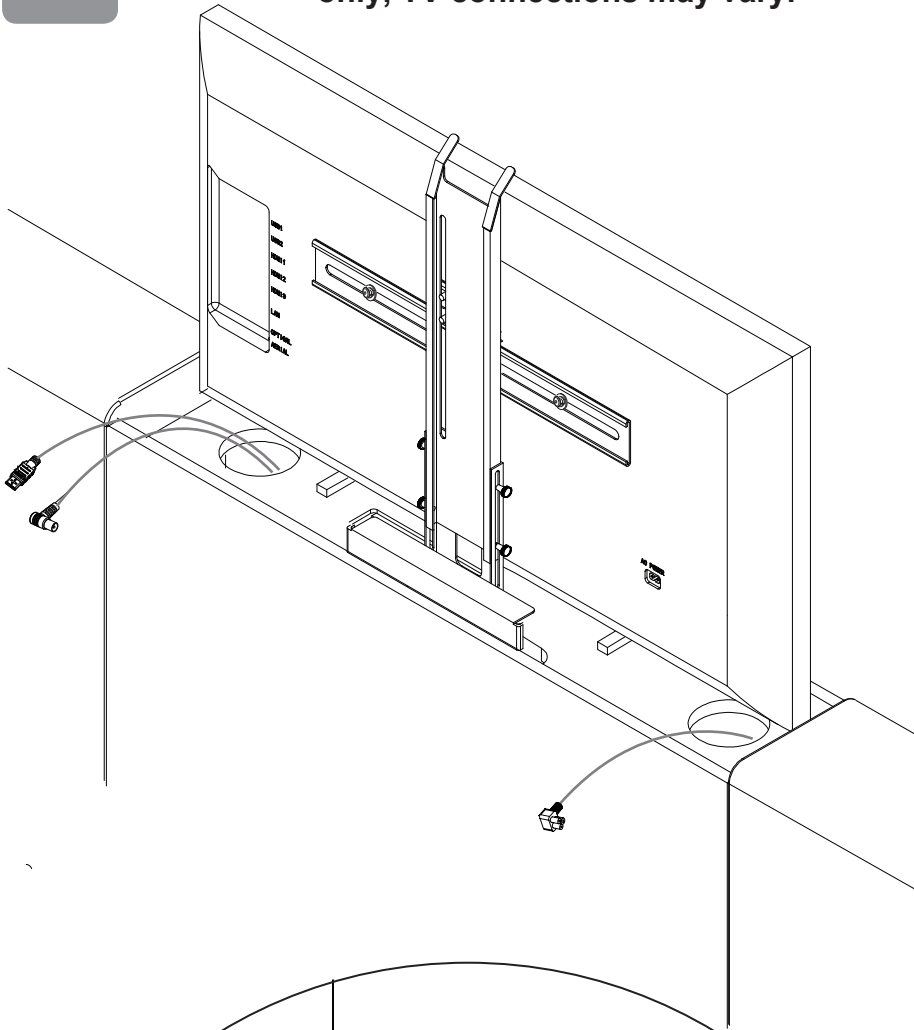
Stage  
11c



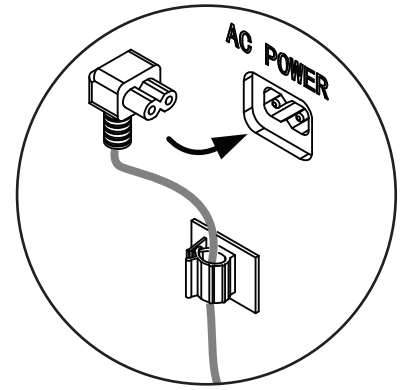
# Electrical & Cable Connections

Stage  
12

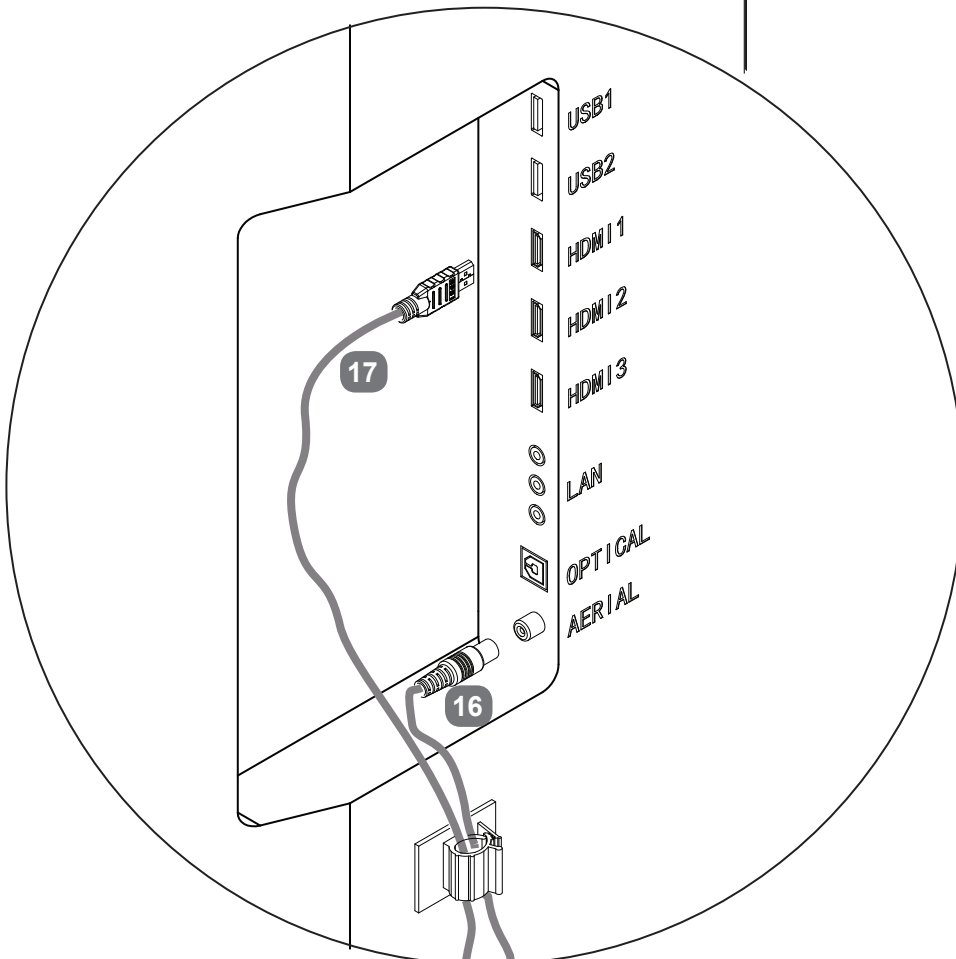
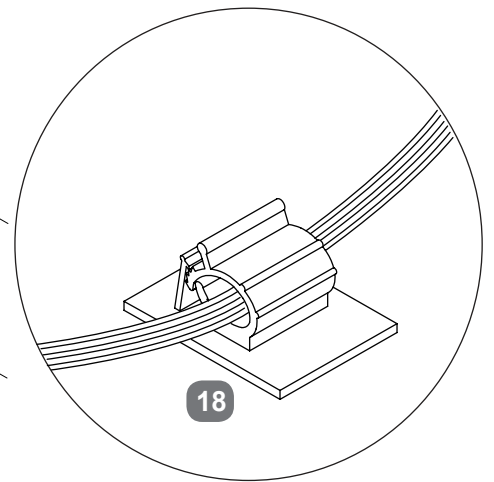
**Note: For illustration purposes only, TV connections may vary.**



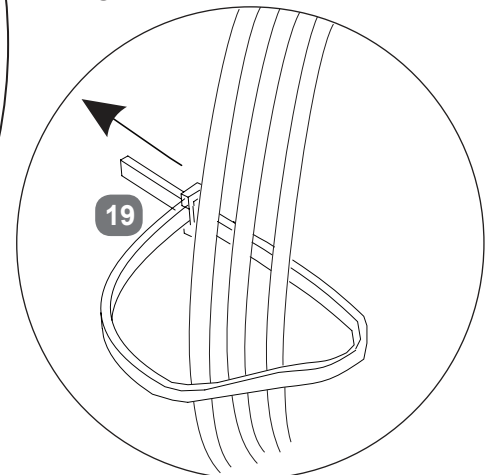
TV Power Lead  
supplied with your TV



Keep wires tight - peel off cover from cable clips & adhere to back of TV.

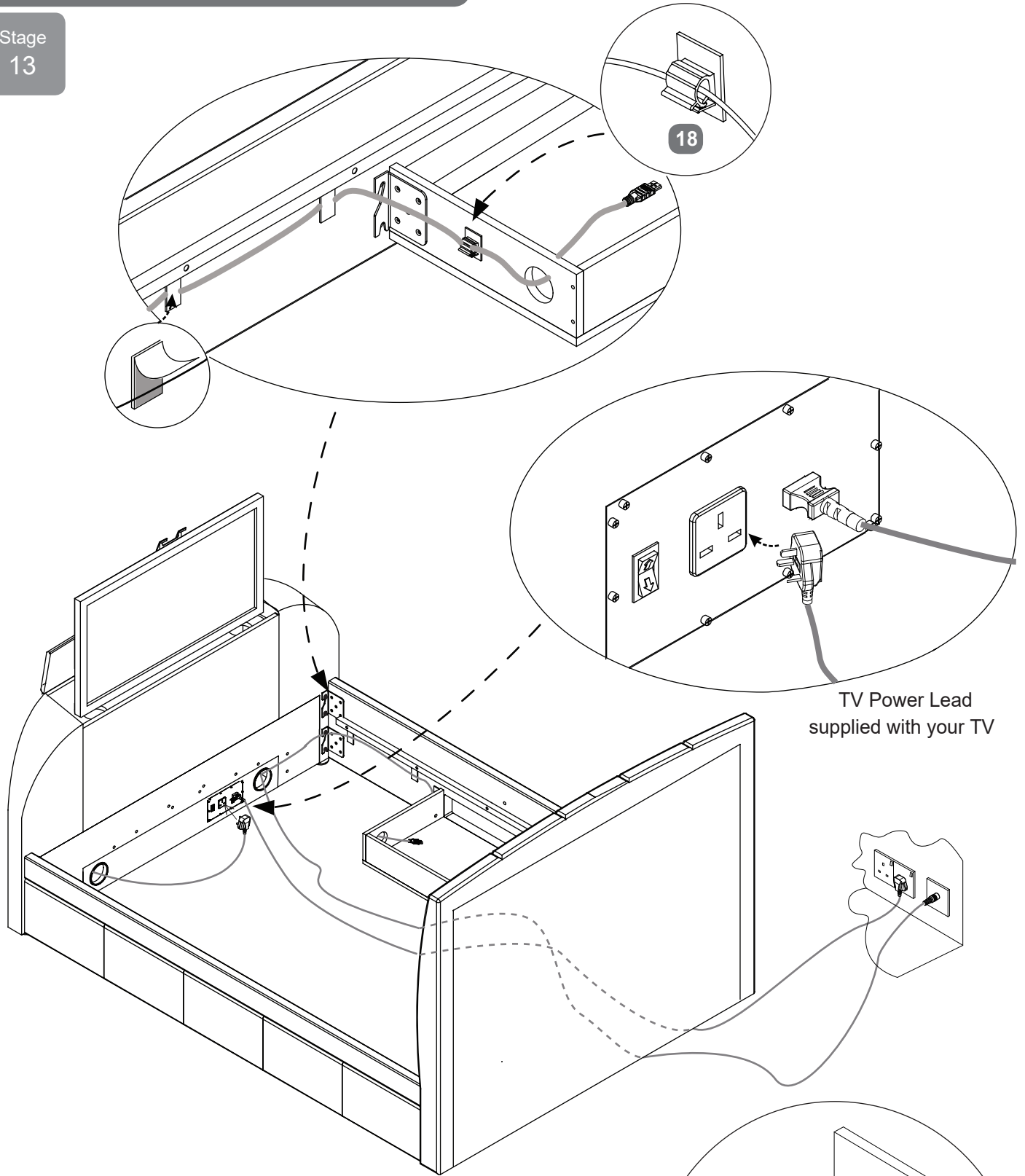


**PLUG IN - KEEP ALL CABLES TIGHT - USE CLIPS & TIES PROVIDED.**



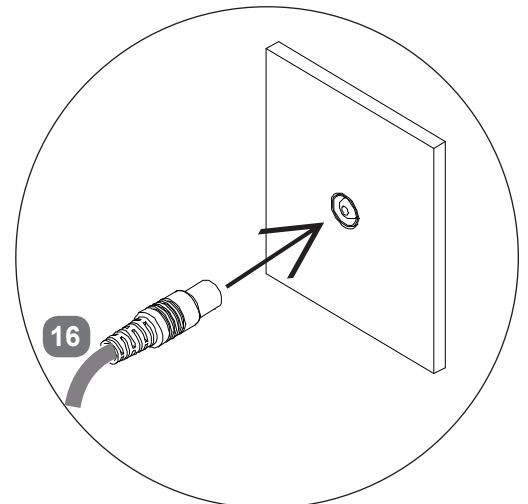
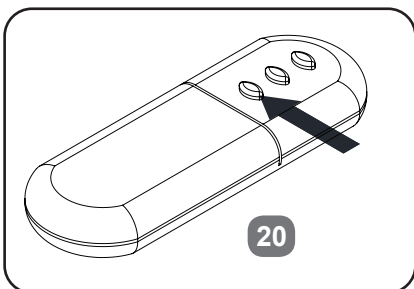
# Electrical & Cable Connections

Stage  
13



TV Power Lead  
supplied with your TV

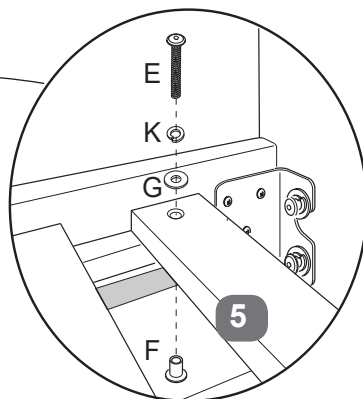
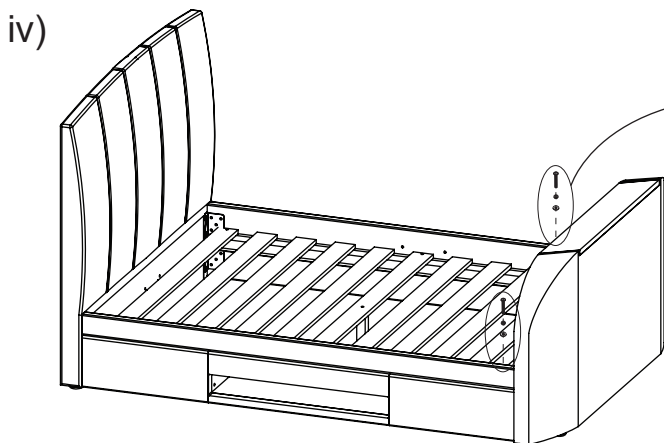
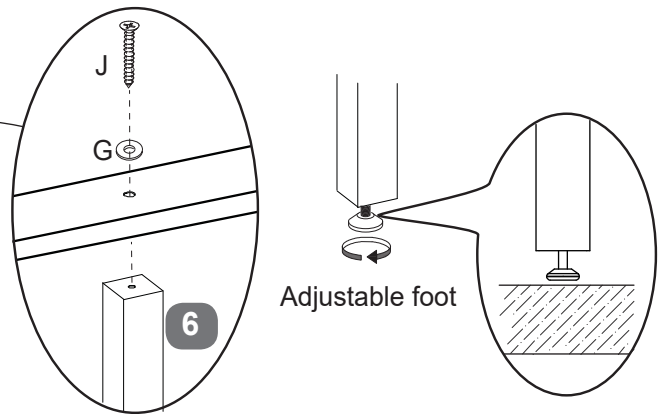
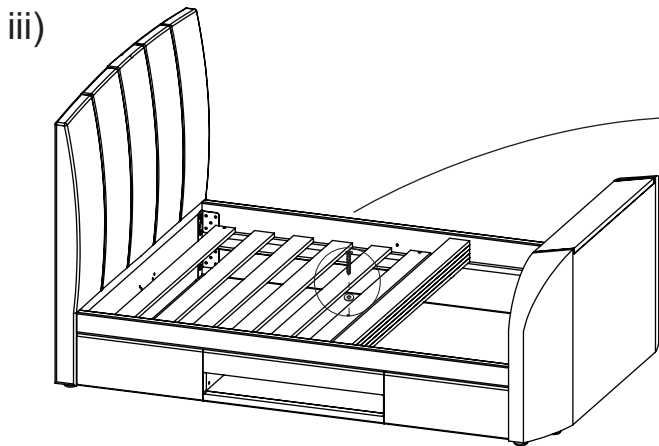
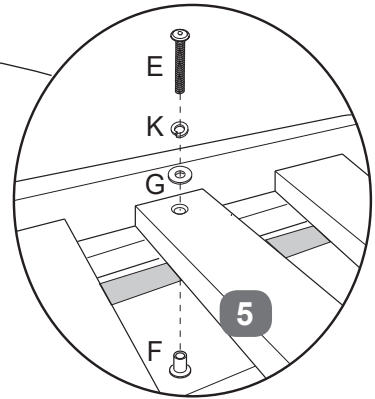
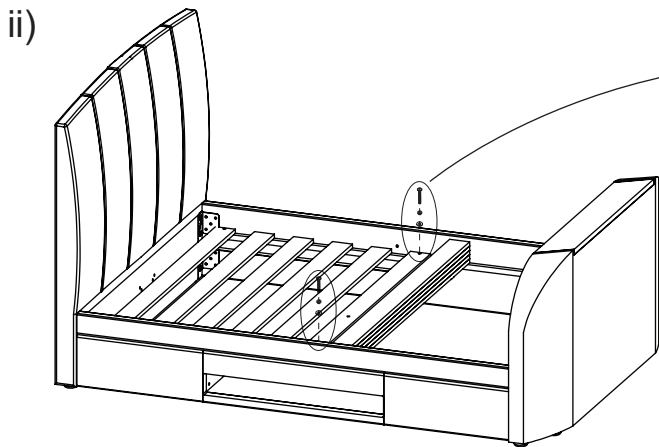
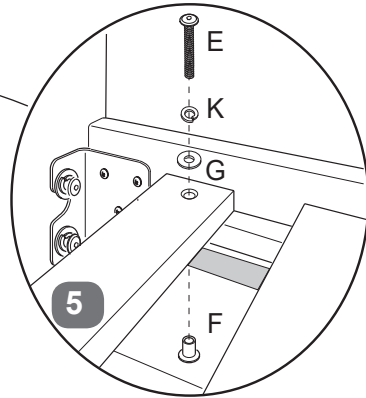
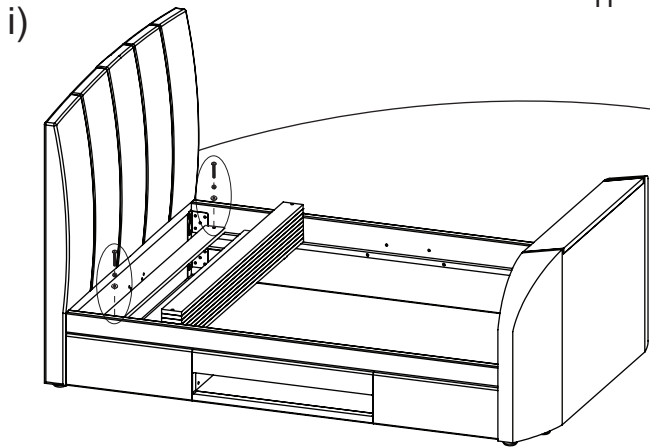
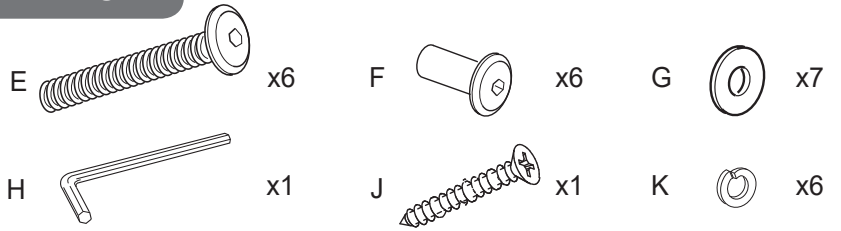
Press the "DOWN"  
button to lower the  
TV lift.



# Fitting Solid Wood Slat Set - Use Pack 'C'

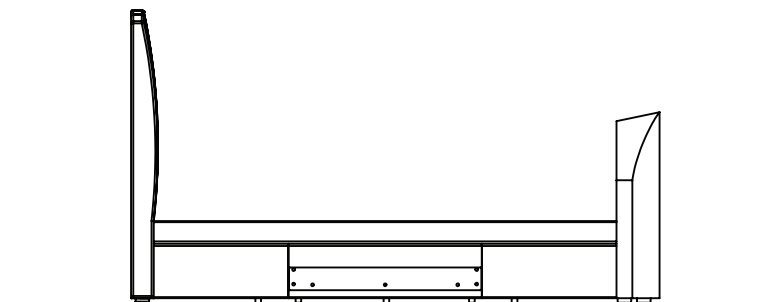
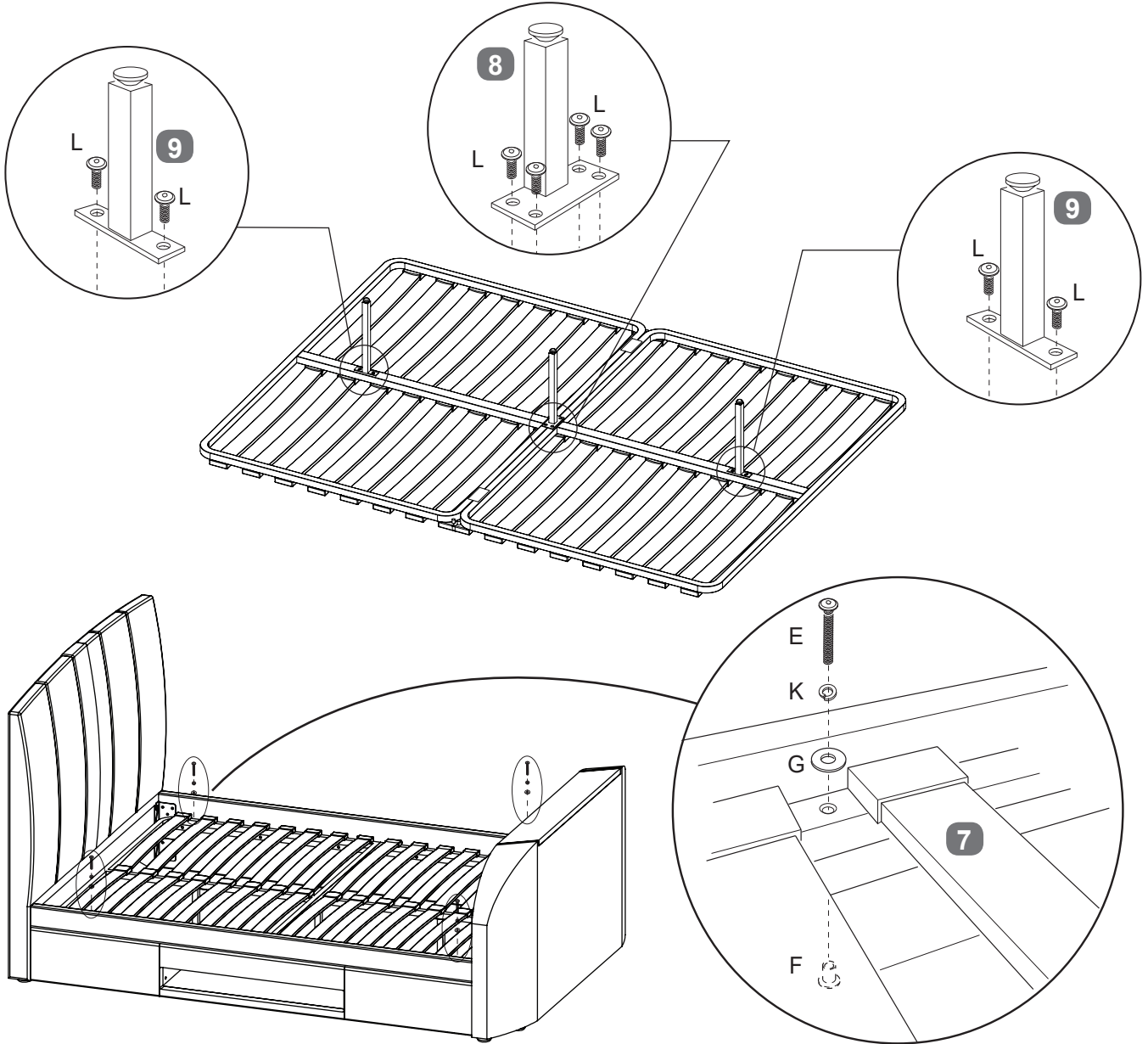
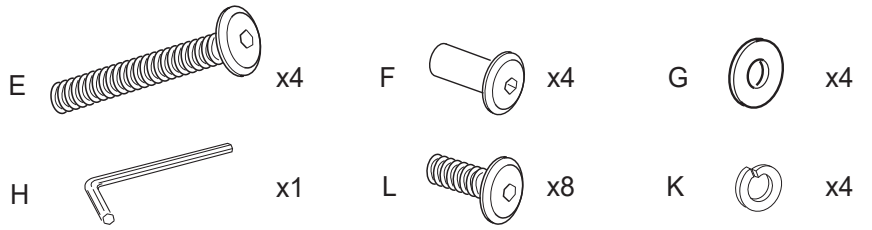
Stage  
14a

Carefully lay the wooden slat set on the metal supports, on each side panel.



# Fitting Metal Slat Frame - Use Pack 'C'

Stage  
14b



\* Only supplied if upgraded sprung slat frame system chosen. Legs (8&9) are supplied with sprung system frame



## GENERAL INFORMATION

It is very important not to place any vessel containing liquids, e.g. drinks or vase of flowers, on top of the TV footboard which may accidentally spill and enter the TV compartment as this could cause damage to the TV and/or the TV lifting equipment.

If this happens, please contact Customer Services - ring 0344 292 00 00.

Do not expose the bed to an undue level of heat - keep away from radiators.

Never allow anyone to sit on the foot end of the bed - keep children well away from moving parts.

To keep the bed clean, we recommend that it be wiped over with a slightly dampened cloth or if fabric use a light vacuum cleaner; disconnect power before cleaning.

Supplied with the TV bed is a remote control to operate the TV Lift and when you fit your own TV there is a remote control to operate that as well.

Both these remotes use batteries, there are strict controls for disposal of batteries - your local council can advise on how to safely dispose of them.

Never burn batteries on an open fire as they could explode.

## IMPORTANT POWER INFORMATION

It is essential that the Mains Power Lead (15) is connected to an earthed socket be it a wall socket or extension lead - otherwise there is risk of damage or even electric-shock.

The socket providing the power must be accessible at all times in case you need to switch off the power quickly.

During an electrical or lightening storm - disconnect the power completely as a precaution.

Always un-plug the power when going on holiday or when the bed is not used for an extended period.

If you have young children in the home always disconnect the power at the wall socket for extra safety.

Power outlets, extension leads or adapters must not be overloaded beyond their limit - this can result in fire or electric shock. Cables leads supplied with this bed, or other approved mains powered extension leads used to power your own equipment, must not be placed where they can be walked on - this is dangerous and could lead to accidents.

Do not interfere with or modify any cables already fitted and do not add any extra media leads unless they are routed through the ducts as shown in Stage 9.

All leads must be tightly connected to back of TV using clips provided (18), never hanging loose.

Never touch moving parts or any part of the equipment - if something needs to be checked, disconnect the power first.

Do not insert anything into the footboard as this could seriously damage the TV and/or the TV lifting equipment and could, if done carelessly, cause serious damage or injury.

If the equipment doesn't operate normally or if there is an unusual noise, disconnect the power.

**IMPORTANT:** Care should be taken when connecting electrical items. If you are in any doubt about the connections please consult an approved electrician.

## TELEVISION INSTALLATION

Please follow the television installation instructions below.

Raise the TV Lift by pressing the Top button of the remote control.

Connect the Aerial & HDMI cable (16&17) by passing down the appropriate duct - see Stage 10.

Connect the TV to the mounting bracket as in Stage 11 or 12, as appropriate.

If necessary mounting bracket can easily be adjusted up or down to align with upper fixing holes on rear of TV.

Connect the TV Power Lead (supplied with TV) by passing plug down one of the ducts, plugging it into the adapter then into the TV power socket which is on the face of footboard - see Stage 13. This socket is only to be used for the TV as the supply is not constant.

If required, connect your own media cables through either of the ducts - connect your media equipment when ready.

Please use the cable clips (18) & cable ties (19) to make certain there are no loose wires to snag.

The TV can now be operated following the TV Operation Guide supplied with your TV.

When finished viewing, lower the TV back into the footboard by pressing Down button of the remote control.

The TV will retract into the footboard automatically - power shall be turned off when TV reaches the bottom.

When the Up button is pressed - the TV Lifting Column rises and power to the TV turns back on automatically.

## TROUBLE SHOOTING

If your equipment does not operate please check all the power connections to the wall and to the socket in the footboard.

Make sure TV is switched on. (Note: TV will only work when it is in the up position).

If you cannot resolve an issue or still have a problem or need help, please contact Customer Services for advice.