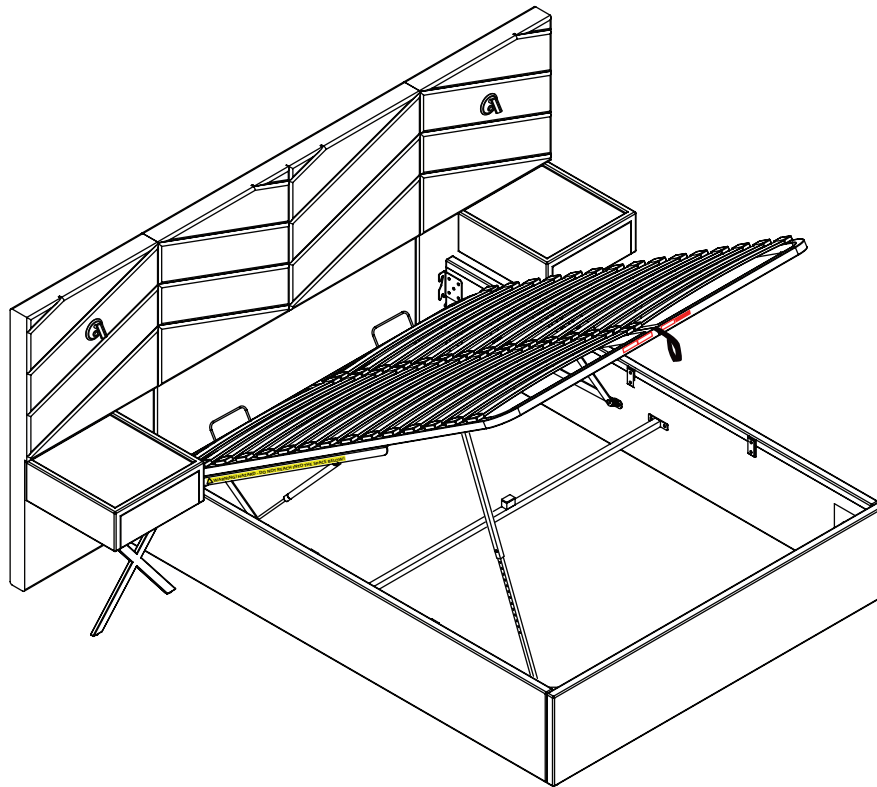


# Saffron Ottoman Bed



## IMPORTANT OTTOMAN SAFETY WARNINGS

- **IMPORTANT - READ CAREFULLY - RETAIN FOR FUTURE REFERENCE**
- **You must ensure that the mattress is on the bed frame before operating the lift mechanism - Failure to do so could result in injury.**
- **Keep hands clear of the mechanism when opening or closing the ottoman.**
- **Beware of entrapment - Never reach in through the mechanism to access the storage area.**
- **Always ensure that the ottoman is FULLY opened before accessing the storage area.**
- **Do not exceed the maximum weight as specified in the table below:**

Bed	Bed Size	Min Weight (kg)	Max Weight (kg)
Saffron	Double	20	50
	King	20	50



1.5 hour approx  
assembly time



Two person  
assembly

# Dreams

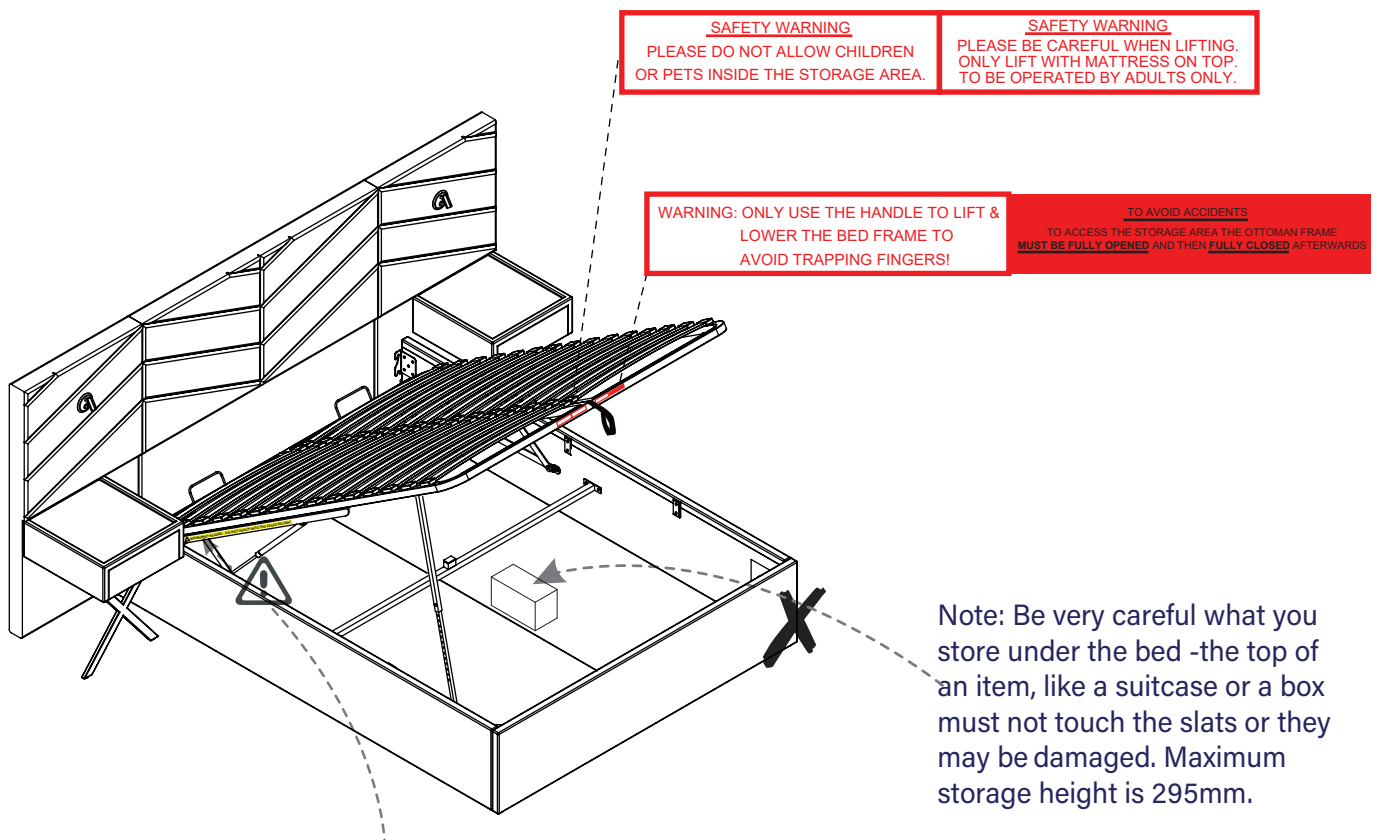
Love your bed

MK1 240814

## IMPORTANT OTTOMAN SAFETY WARNINGS Cont.



- Use caution when operating, always use the handle when lifting.
- Note: This bed uses a pressurised mechanism.
- To be operated by adults only.
- Please ensure that children and pets are kept away from the bed when operating the lift mechanism.
- Keep children and pets away from the storage area.
- Do not overload the internal storage base.
- Do not stand inside the internal storage area of the bed.
- Before removing the mattress secure the frame to ensure it does not open unexpectedly.
- Do not attempt to lie on the mattress when the ottoman is in the raised position.
- When lifting the ottoman, remove all bedding except the fitted sheet.



**! WARNING! HAZARD - DO NOT REACH INTO THE SPACE BELOW!**

# Ottoman Beds - Important Safety Features

Our aim is always to give you the best experience and to ensure every effort has been made to guarantee your comfort and safety. Please take time to look at these instructions as they will help remind you how to operate your ottoman bed safely.

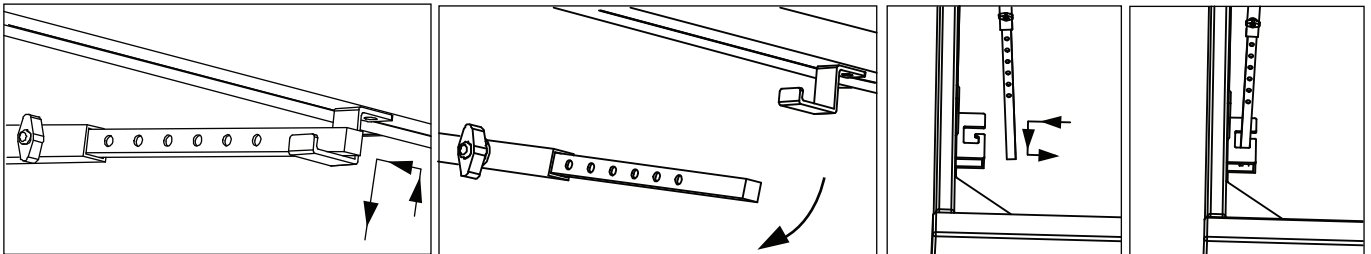
**Here's a few things you need to remember;**

- ✓ **Pistons are already assembled in their correct orientation - this improves piston performance and durability.**
- ✓ **"Break in " the piston seals on first use by raising & lowering the platform at least five times.**
- ✓ **Recommended mattress weights - do not exceed the maximum relevant weight specified on the Assembly Instruction.**
- ✓ **Ottoman support bar - always engage the support bar when accessing the ottoman storage area.**

Read all the instructions before using your Ottoman bed-frame and save the instruction booklet for future reference.

## Ottoman Support Bar (O.S.B.)

**For optimal safety during operation, always ensure the O.S.B. is engaged when accessing the ottoman storage area.**

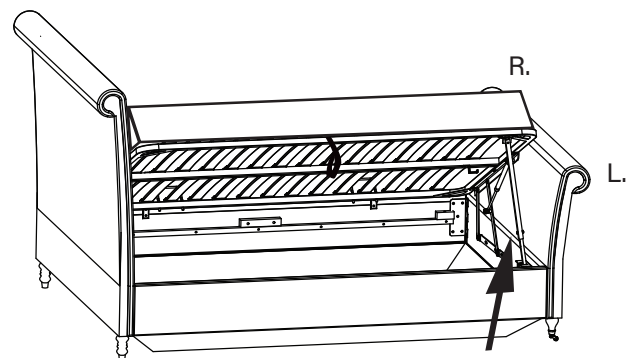
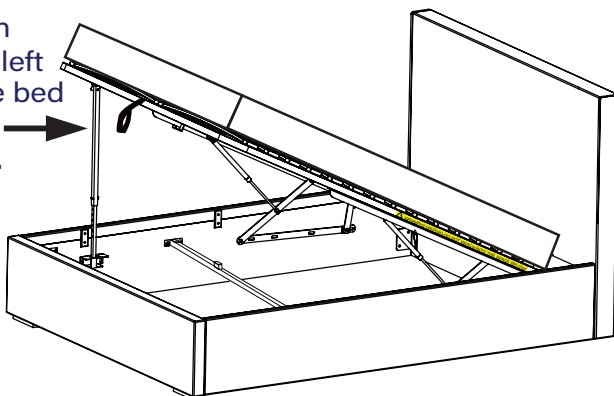


1. Always raise the ottoman slat-frame to its highest position before using the storage area. Locate the end of the O.S.B and insert into the fixed retaining bracket on the bed frame.
2. When you are ready to lower the ottoman platform, return the O.S.B to its original parking position.
3. Always ensure that the O.S.B is in position when the ottoman is open, this prevents injury, or damage to the product.

## Location of the O.S.B

End-lift :

O.S.B is on either the left side of the bed or on the footboard.



Side-lift: O.S.B is on either the left side or right side of the footend.

## WARNING! Risk of Entrapment

- The pistons on the ottoman bed frame can support a maximum load (evenly spread) as indicated in the Minimum and Maximum load table, on Page 1 of this Assembly Instruction.
- Overloading the sleeping platform may contribute to damage to the product resulting in potential serious injury.
- Do not sit on the mattress whilst the platform is in motion or is in the raised position.
- Users should only get in and out of bed when platform is in the flat (horizontal) position.

# Thank You

Dear Customer, Thank you for choosing to purchase your bed from Dreams - we hope it brings you your best ever night's sleep. Before you begin building your bed, please take a moment to read through the instructions and make sure that you've got all the relevant parts listed on the following pages.



## Assembly tips

Before you begin, it's best to identify all parts and fittings to build your bed. We advise laying these out on the floor to check you have everything, and familiarising yourself before building.



## Top tip

We recommend that you build your new bed in the room you'd like it to be located - this will help prevent any risk of damage to your newly built bed whilst moving it.



## Safety and care

It's really important to ensure children and animals are kept away from the assembly area, as there are small components used in this bed which could present a choking hazard. All plastic and wrapping materials should also be kept away from children and animals to prevent any risk of suffocation. To keep your little ones busy, there is a colouring page inside the back cover.



## Help and support

At Dreams, it's our mission to give the whole nation a great night's sleep - this means that the quality of our products is of utmost importance to us. If there are any issues with your product or any missing parts, please contact our Help Centre on 0800 652 6750, where a member of our team will be happy to help. (For customers based in Northern Ireland, please call 028 9050 8300)



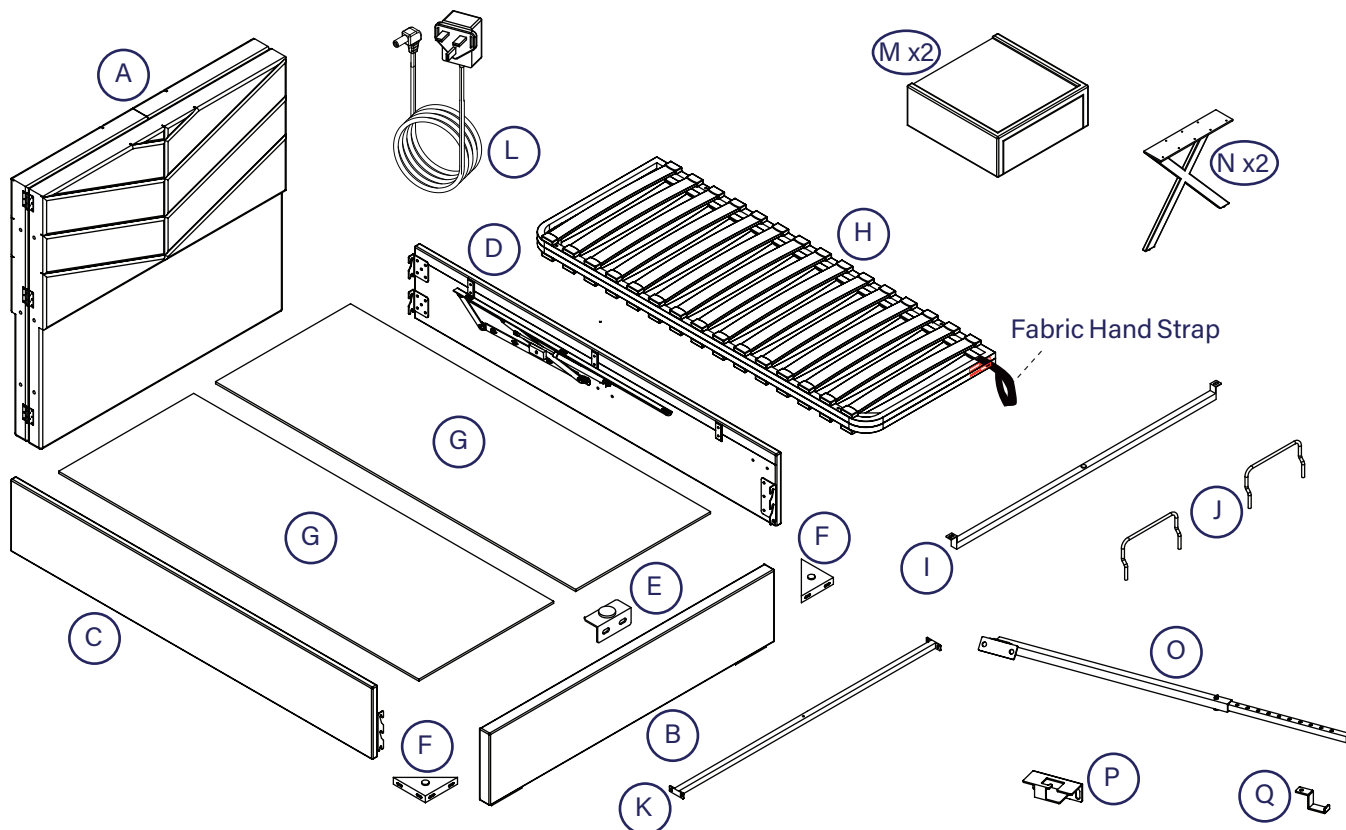
## Recycling

Please ensure that packaging is disposed of in a safe and environmentally friendly way, and recycle where possible. Our assembly instructions are printed on recycled paper. Please keep your assembly instructions safe to refer back to in the future.

# Parts

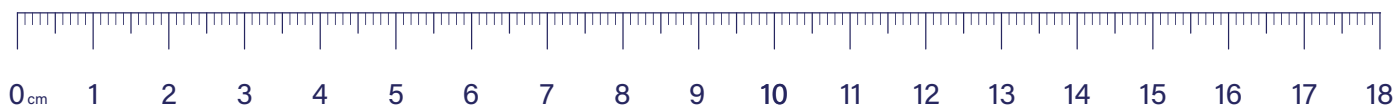
## Important information

The bed you have purchased comes with an Ottoman lift up base, please follow the instructions below in the current order. Before you begin building your bed, please take a moment to read through the instructions and make sure that you've got all the relevant parts listed on the following pages.



## Parts list

Code	Description	Qty	Box	Code	Description	Qty	Box
A.	Headboard	1	1	J.	Mattress Stoppers	2	5
B.	Footboard	1	3	K.	Side Rail Cross Bar	1	2
C.	Side Rail - Left	1	2	L.	Power adapter with 90° LV plug	1	1
D.	Side Rail - Right	1	2	M.	Bedside Drawer Units	2	4
E.	Support Brackets	1	5	N.	Bedside Legs	2	4
F.	Angle Corner Brackets	2	5		Ottoman support bar PACK (O.S.B.)		
G.	Storage Base Boards	2	5	O.	Ottoman support bar	1	5
H.	Metal Slat Frame	1	5	P.	Fixed retaining bracket	1	5
I.	Cross Bar	1	5	Q.	Parking bracket	1	5



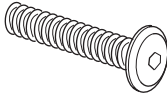
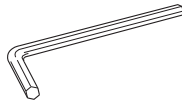


# Fittings




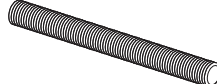

Please check you have all the parts listed below with your product:

**PLEASE NOTE:** There are bolts which have been pre-fitted to the Headboard & Footboard (A&B), not included below - please study Step 2 carefully.

## Hardware needed for fixing the bedside wings to headboard. Packed in Headboard Pack 1 - hardware pack (A).

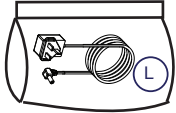
<p>b x6</p>  <p>Spring washer for M8 bolts</p>	<p>c x6</p>  <p>Flat washer for M8 bolts</p>	<p>e x6</p>  <p>Bolts (M8x50mm) for bolting wings to main headboard</p>	<p>d x1</p>  <p>Allen Key for M8 bolts</p>
---	---	--	---

## Hardware needed for fixing bedsoles to headboard. Packed in Headboard Pack 1 - hardware pack (B).

<p>b x4</p>  <p>Spring washer for M8 bolts</p>	<p>c x4</p>  <p>Flat washer for M8 bolts</p>	<p>i x4</p>  <p>Nuts for M8 bolts</p>	<p>n x4</p>  <p>Threaded studs (M8x60mm) for fitting bedsoles (K) to headboard (A)</p>	<p>q x16</p>  <p>Screws (5x20mm) for fitting metal legs (N) to bedsoles (M) (N.B. may include x4 spare screws)</p>
---	---	--	--	---

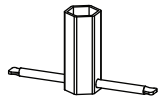
Transformer plug lead needed for connecting the power. Push the small plug into the LV socket at the rear of the headboard and then push the plug-top into the wall socket. For safety the power supply must be earthed.

**Packed in Headboard Pack 1**



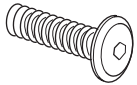


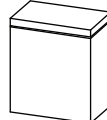
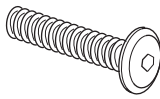
Power Plug

j x1

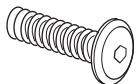


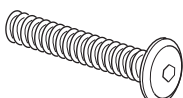





Tube spanner for M8 nut

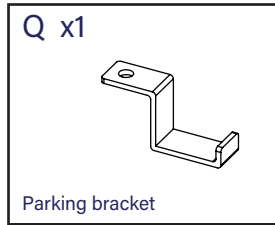
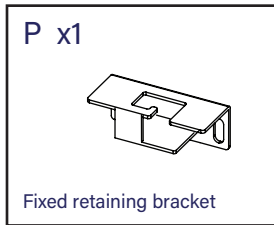
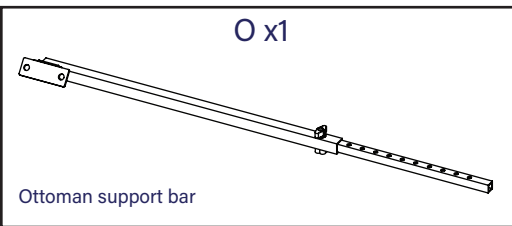
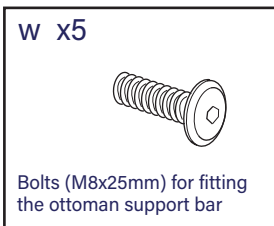
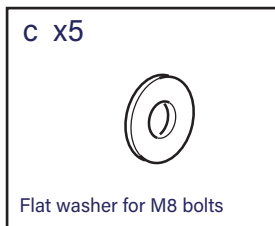
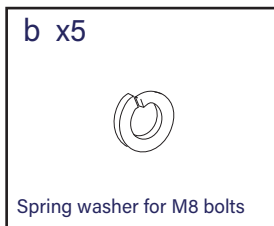
## Hardware needed for fixing side rails to Headboard & Footboard. Packed in side rail Pack 2 - hardware pack (C).

<p>a x14</p>  <p>Bolts (M8x30mm) for fitting angle corner brackets (F)</p>	<p>b x12</p>  <p>Spring washer for M8 bolts</p>	<p>c x15</p>  <p>Flat washer for M8 bolts</p>	<p>p x1</p>  <p>Support block for side rail side rail cross bar (K).</p>	<p>e x1</p>  <p>Bolts (M8x50mm) for fitting support block (p) to side rail cross bar (I).</p>
---	--	--	---	--

## Hardware needed for fixing metal slat frame Packed in ottoman carton, inside Pack 5 - hardware pack (D)

<p>a x6</p>  <p>Bolts (M8x30mm) for fitting metal connection plates (g) and cross bar (I) to metal slat frame (H)</p>	<p>b x12</p>  <p>Spring Washer for M8 bolt</p>	<p>c x18</p>  <p>Flat Washer for M8 bolt</p>	<p>e x6</p>  <p>Bolts (M8x50mm) Fitting metal slat frame (J) to gas-lift mechanisms</p>
<p>g x2</p>  <p>Metal Connection Plates</p>	<p>h x2</p>  <p>Flanged lock-nuts M8 for gas-lift pistons</p>	<p>i x6</p>  <p>Nuts for M8 bolts</p>	

**Hardware needed for fixing ottoman support bar (O.S.B) to the slat frame**  
**Packed in slat frame pack 5-hardware pack (E)**



# Tools required



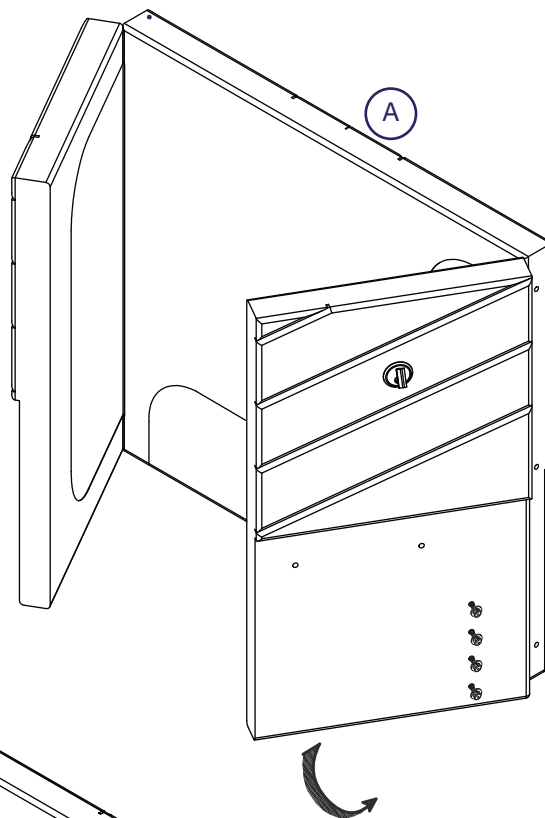
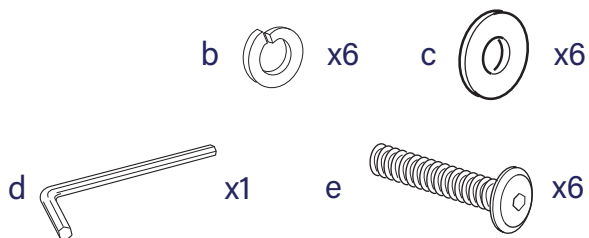
Tape measure



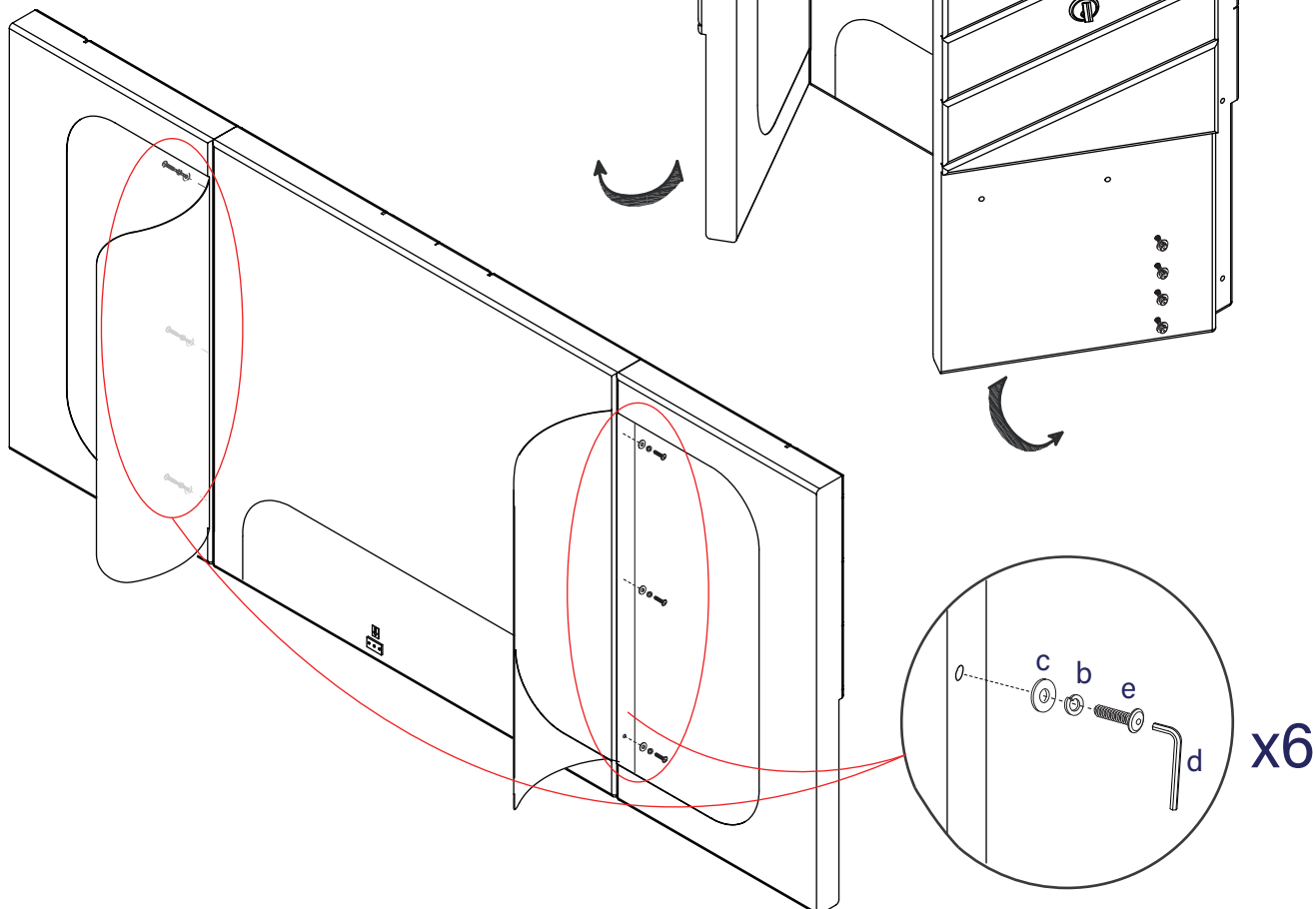
Cross head screwdriver

## 1 Prepare headboard for assembly.

### i) Un-fold the headboard wings.



### ii) Fitting headboard wings.



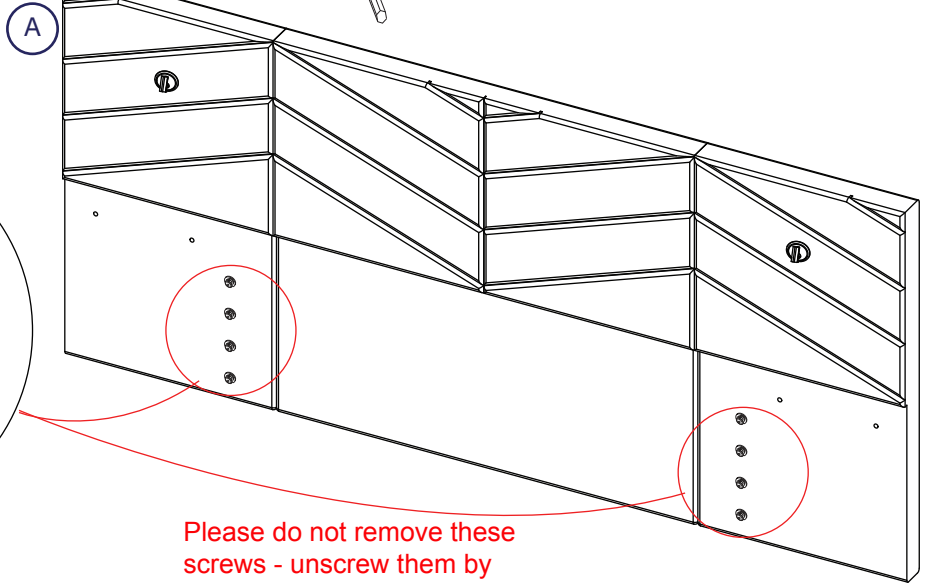
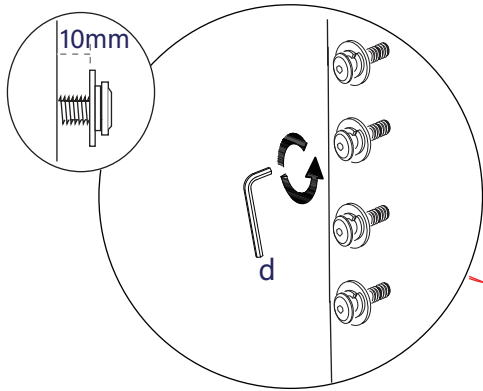
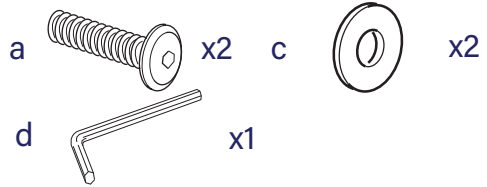


Hardware pre-fitted to the Headboard & Footboard (A&B)

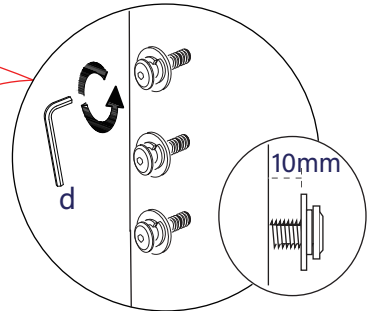
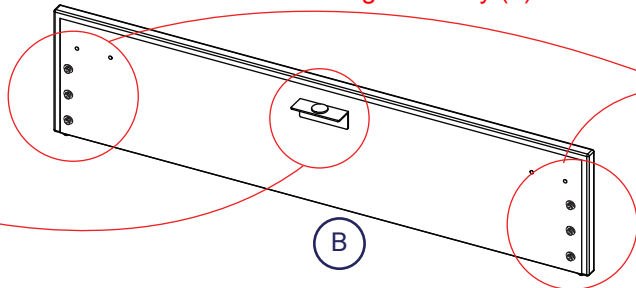
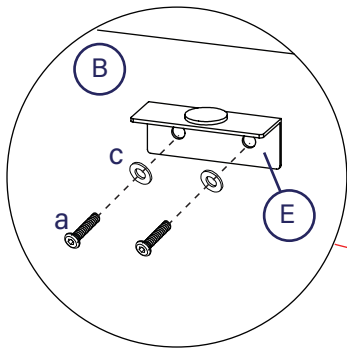
2

a x14

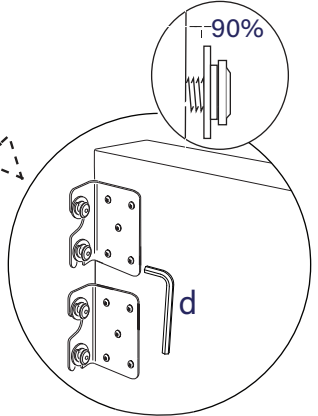
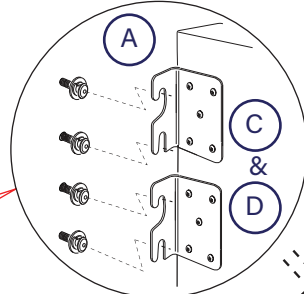
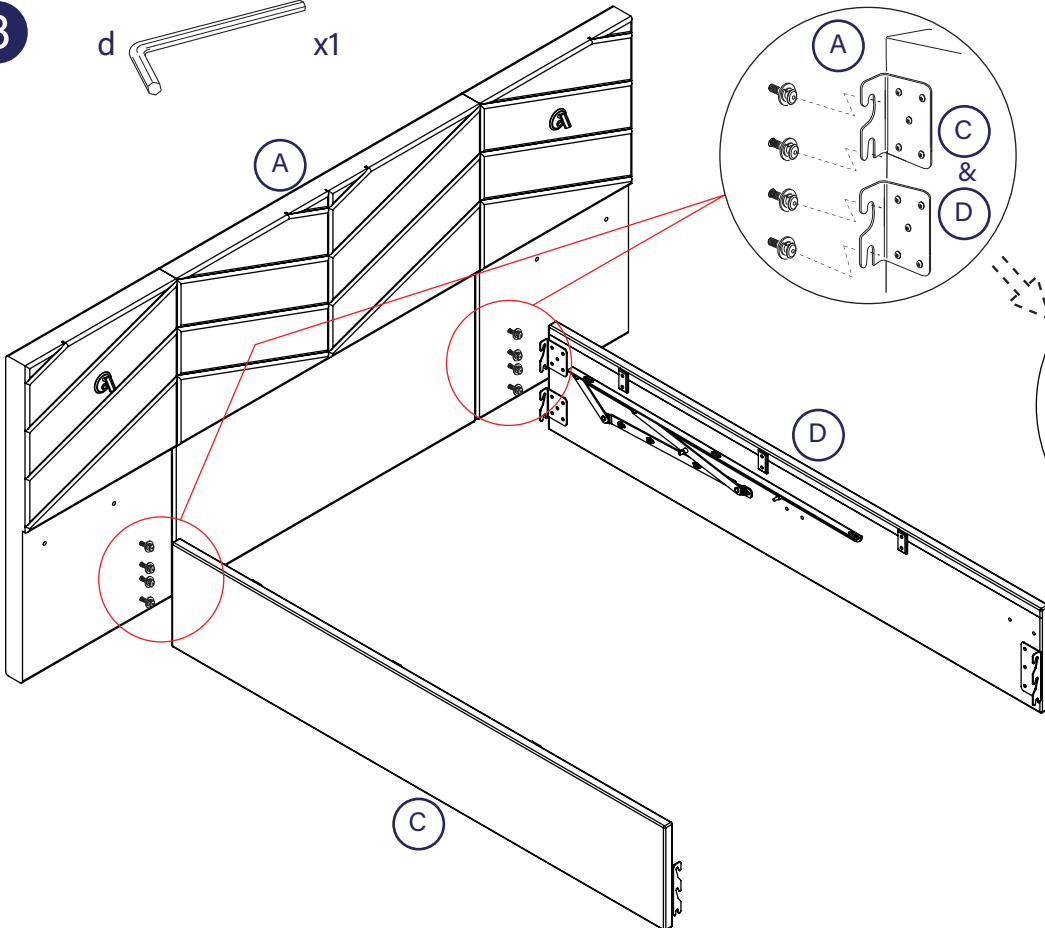
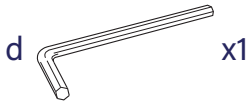
Bolts (M8x30mm)



Please do not remove these screws - unscrew them by 10mm using Allen key (d).

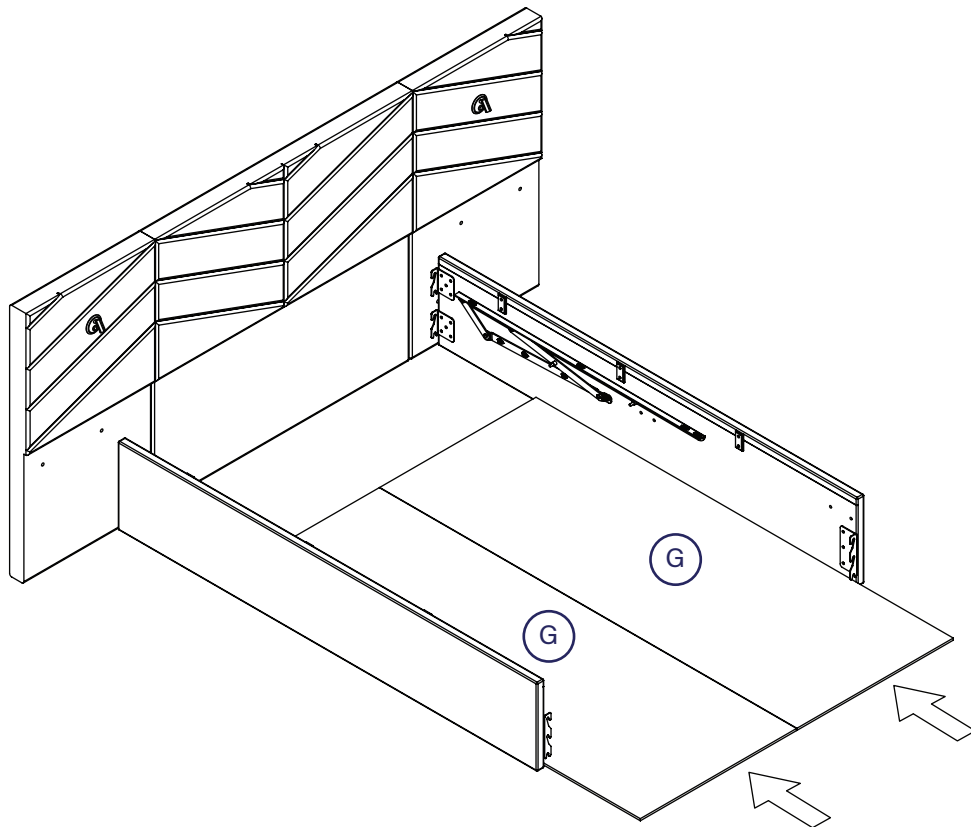


3

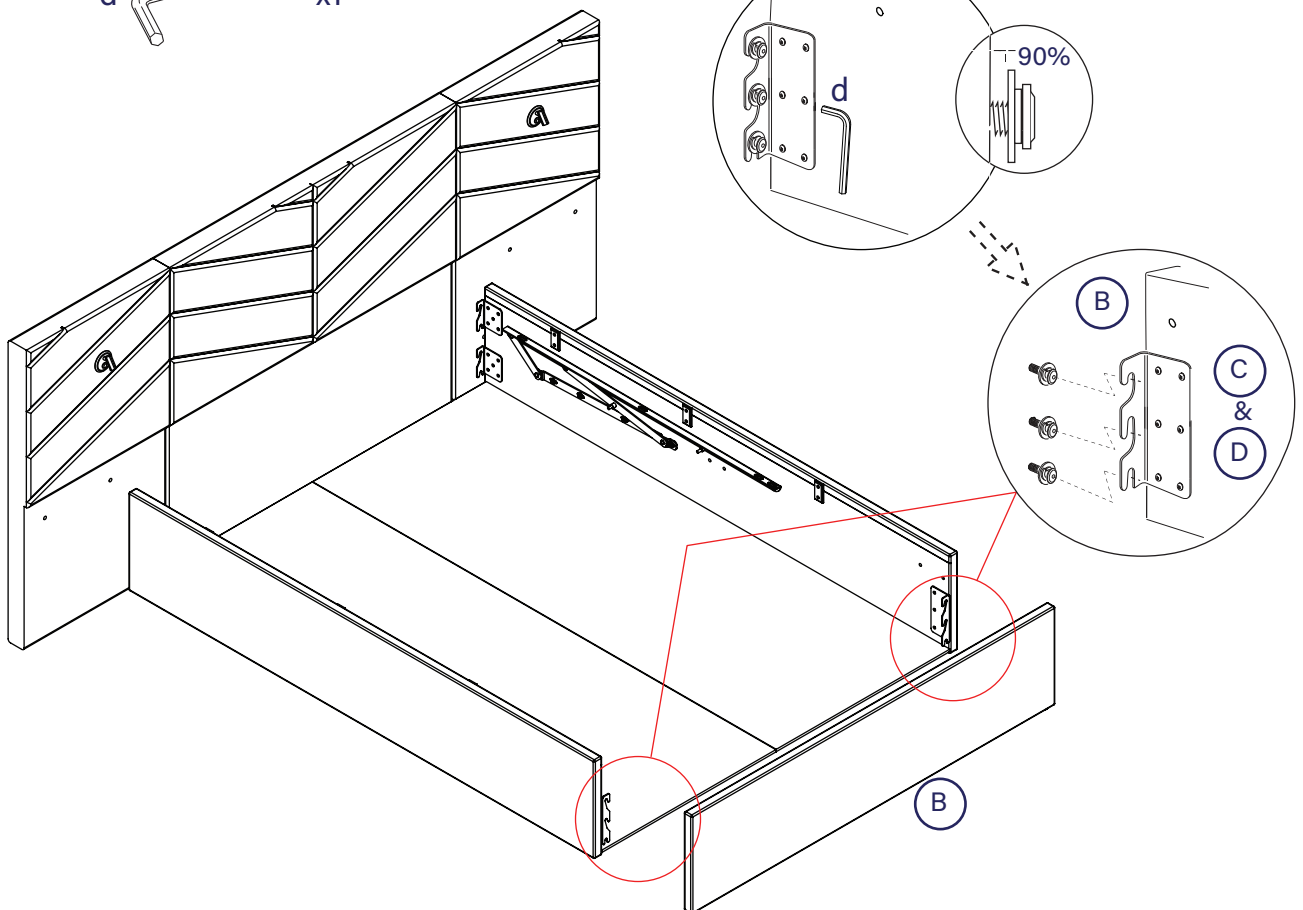
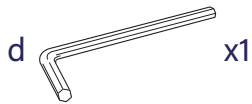




**4** Slide storage base boards (G) on place.

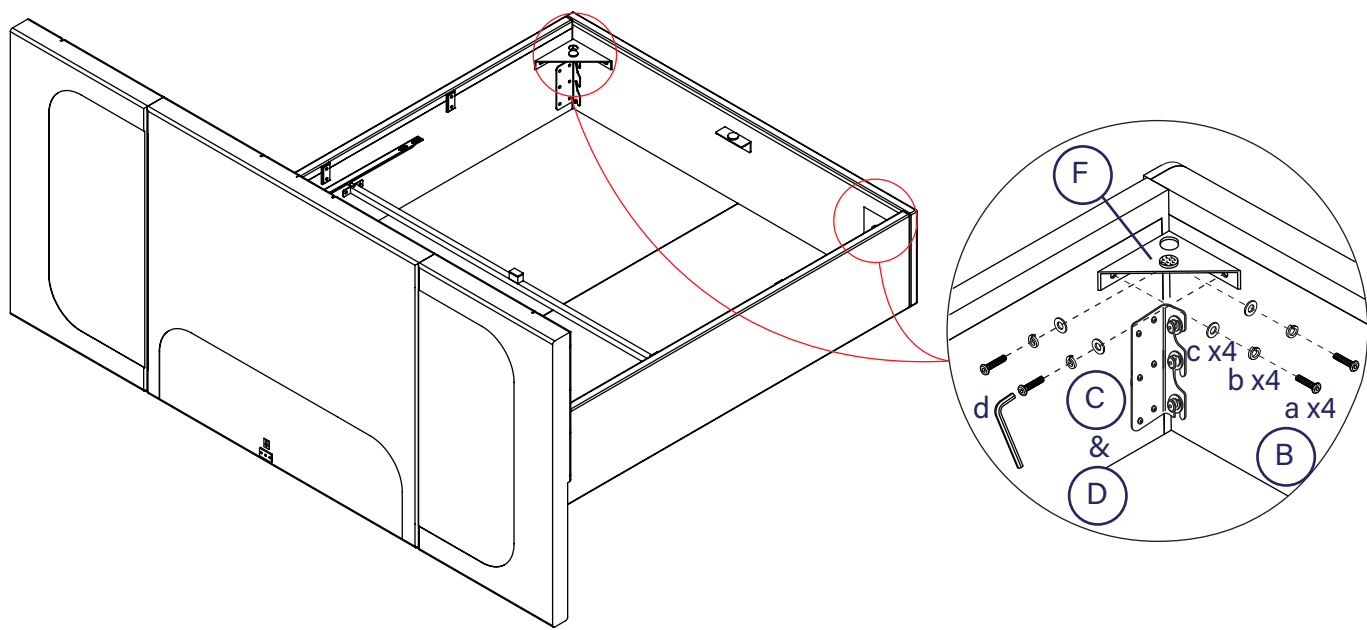


**5**

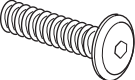


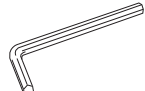
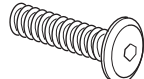
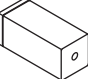


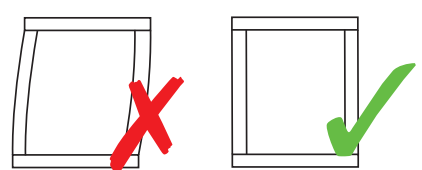
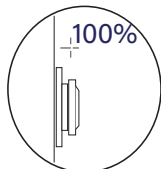
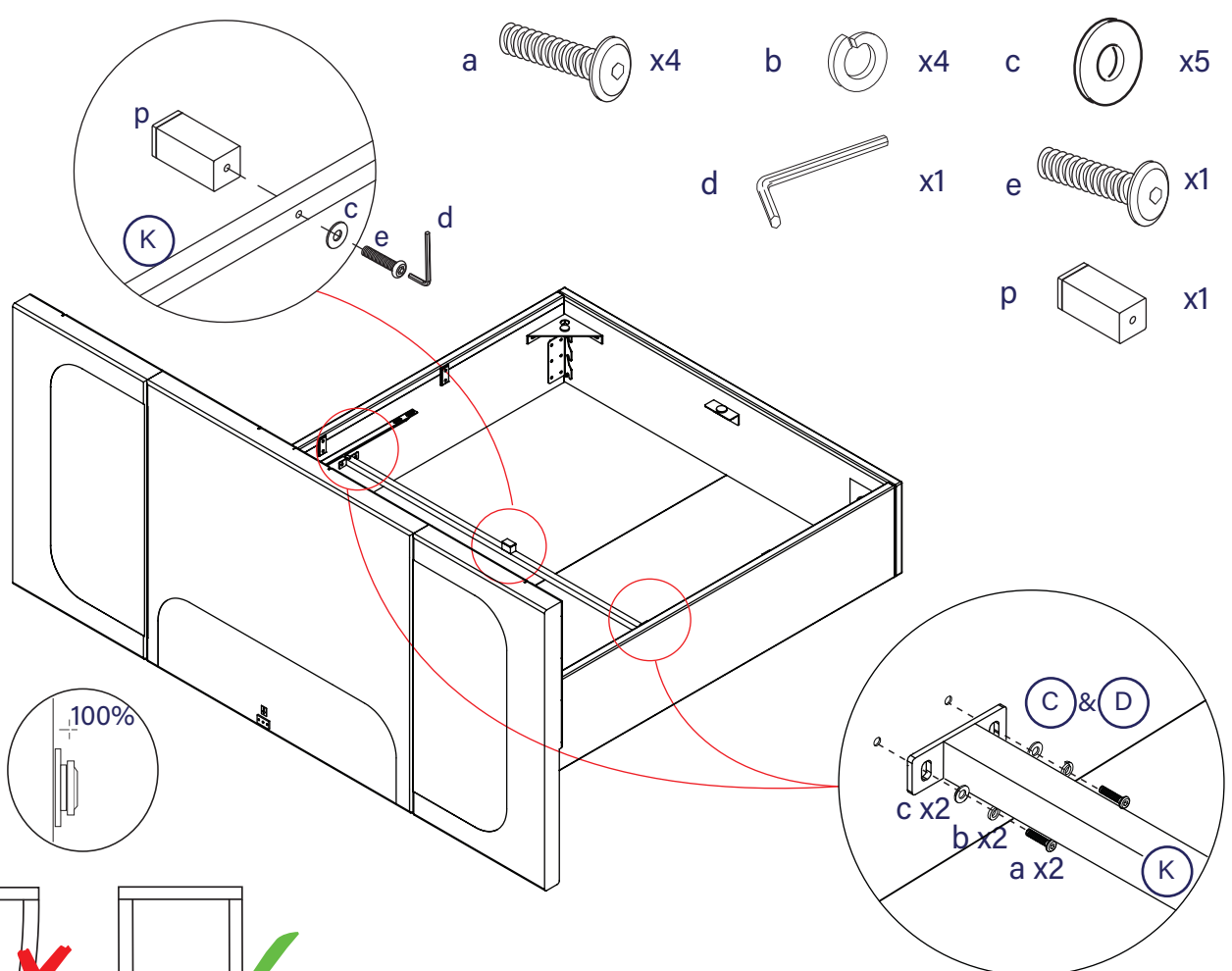
6

- a  x8
- b  x8
- c  x8
- d  x1



7

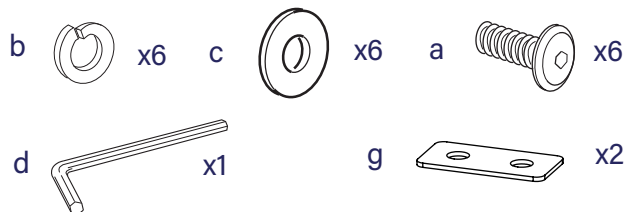
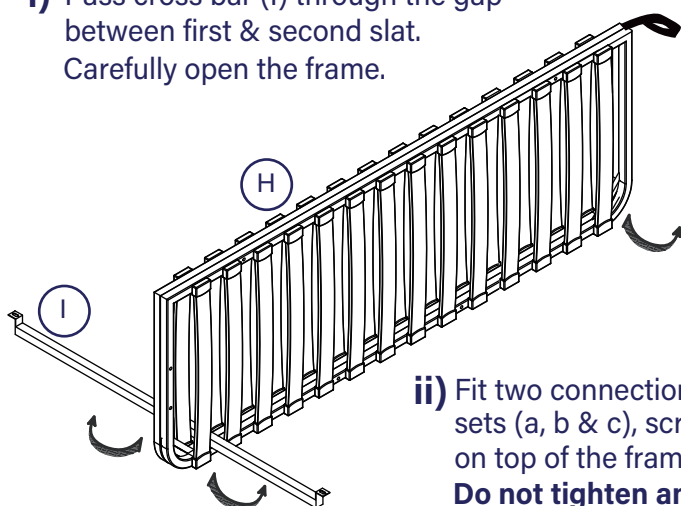
- a  x4
- b  x4
- c  x5
- d  x1
- e  x1
- p  x1



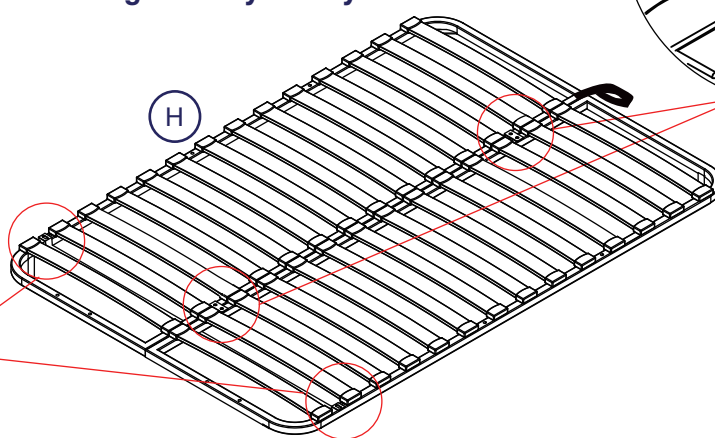
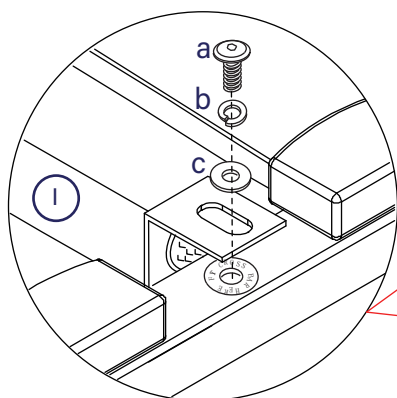
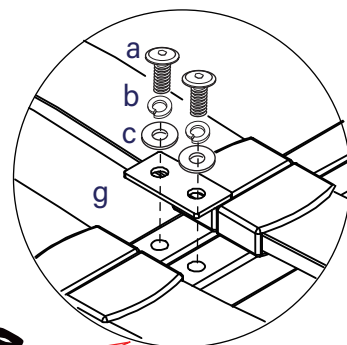
**Make certain the bed is squared up as shown in the diagram then tighten all bed assembly bolts 100%.**

## 8 Fit the Metal Slat Frame by following the next steps.

- i) Pass cross bar (I) through the gap between first & second slat. Carefully open the frame.

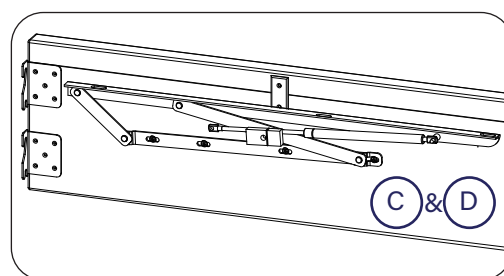


- ii) Fit two connection plates (g) using four bolt sets (a, b & c), screw into the threaded inserts on top of the frame. Do not tighten any bolts yet.

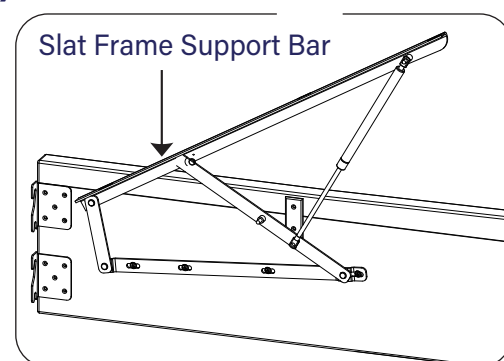


- ii) Fit cross bar (I) using two bolt sets (a, b & c), screw into the threaded inserts on top of the frame. Using Allen key (d) tighten all six bolt sets 100%.

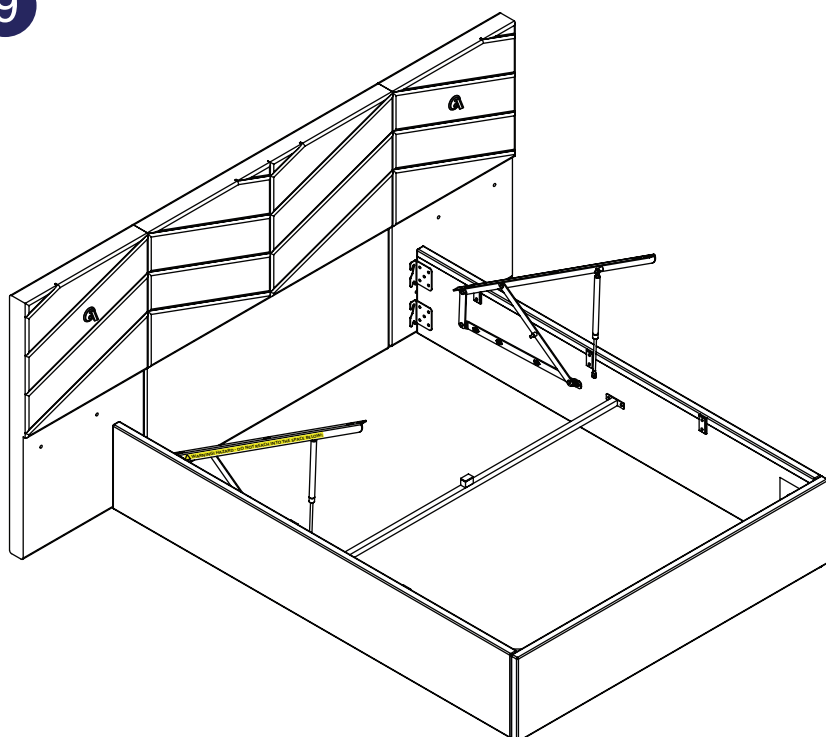
- i) Un-tie the hinge mechanism, and take out the transit block.



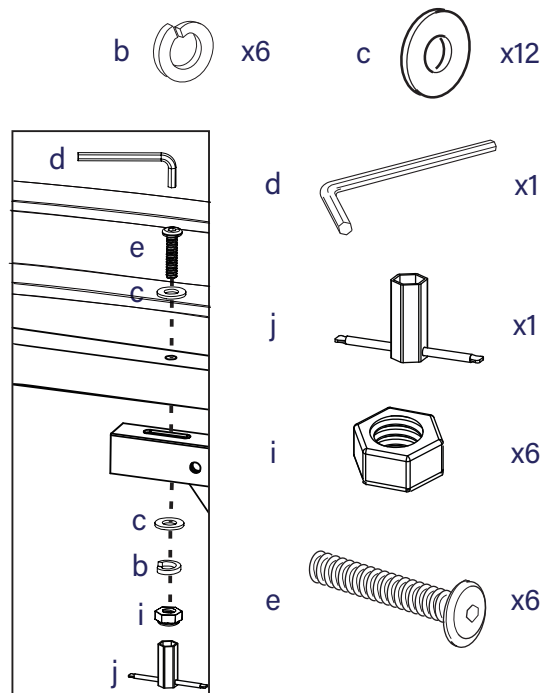
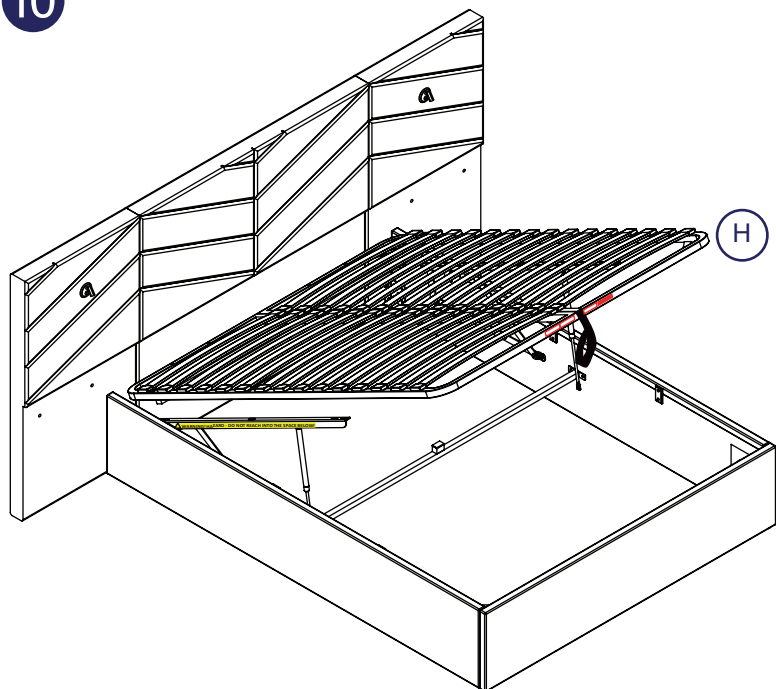
- ii) Hold bars forward



## 9

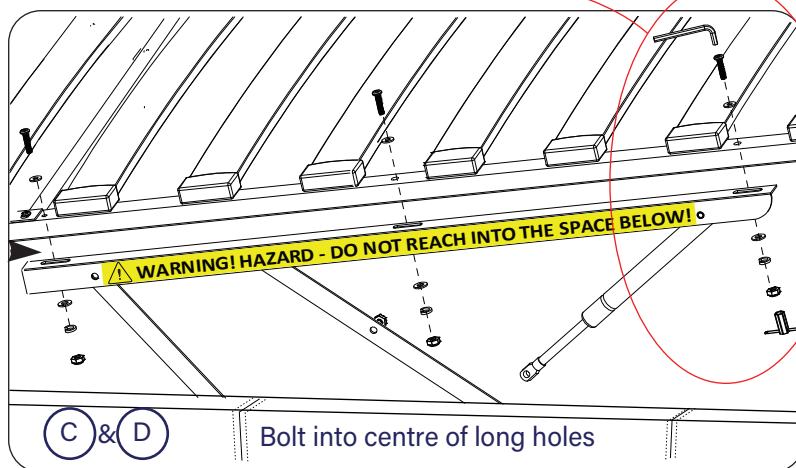


10



**i)** With help from an assistant, lift slat frame (H) onto slat frame support bars aligning first set of holes on slat frame with first set of holes in the support bars (nearest to headboard).

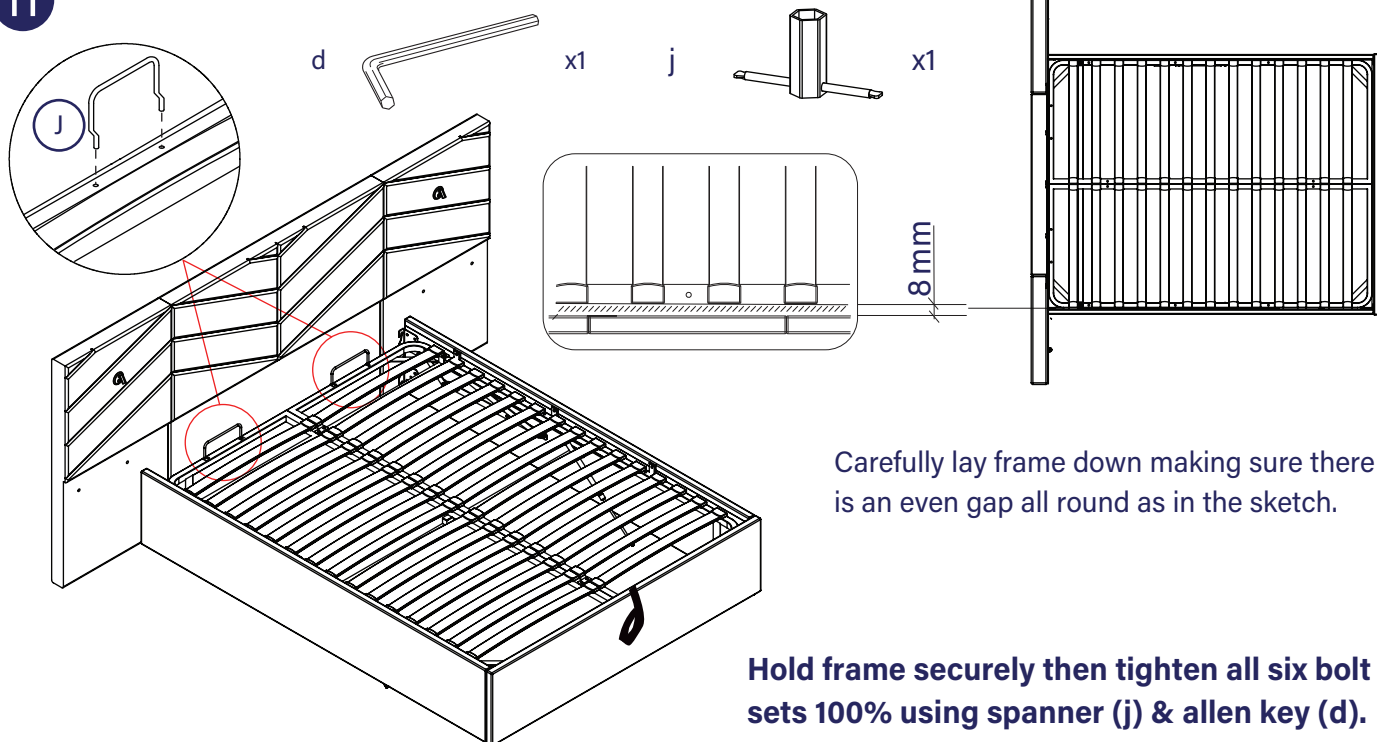
**ii)** Using three bolt sets on each side (b), (c), (e) & (i), fix slat frame to the support bars but do not tighten fully yet.



Bolt into centre of long holes

11

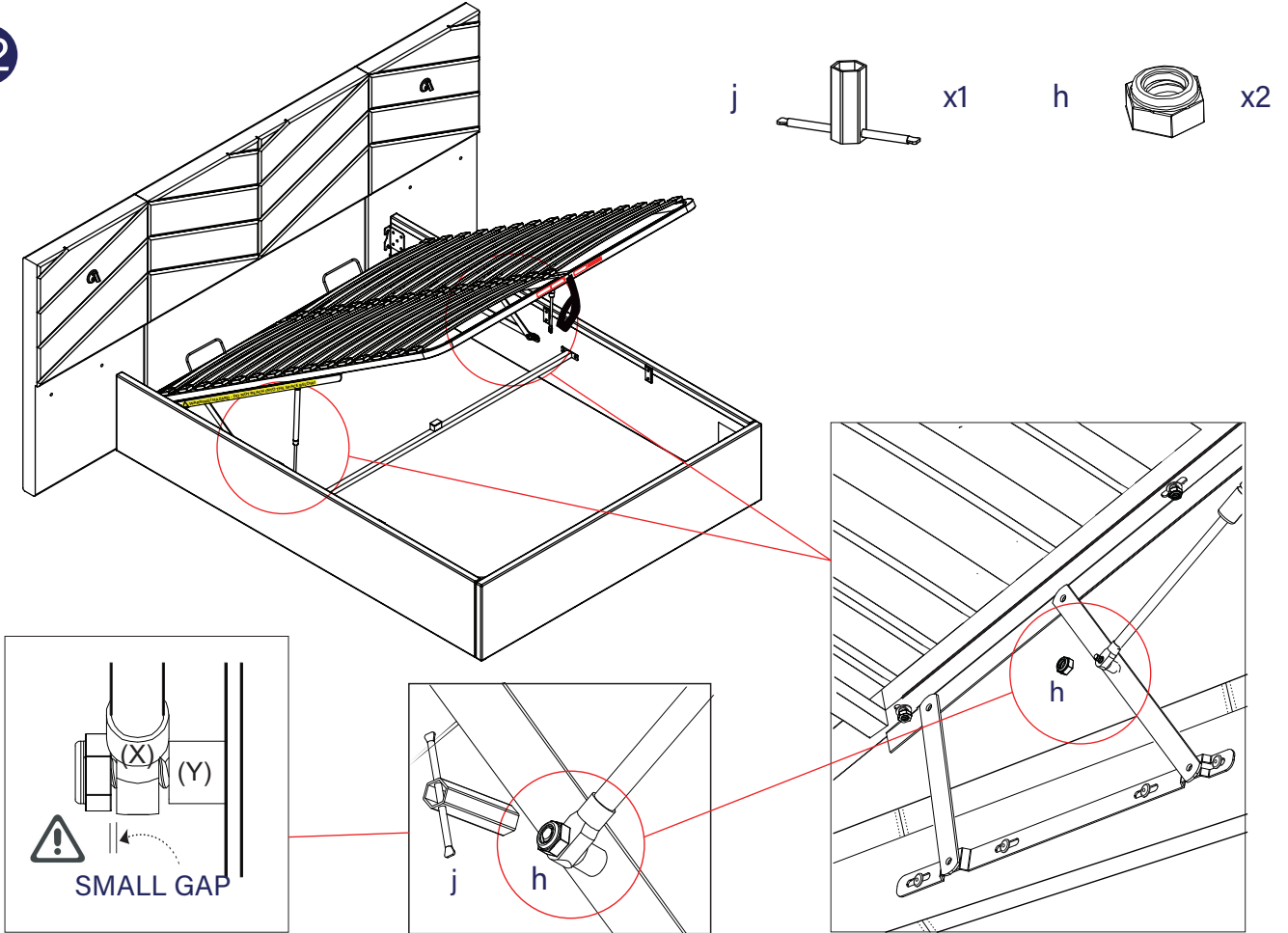
**Fit the mattress stoppers to the slat-frame.**



Carefully lay frame down making sure there is an even gap all round as in the sketch.

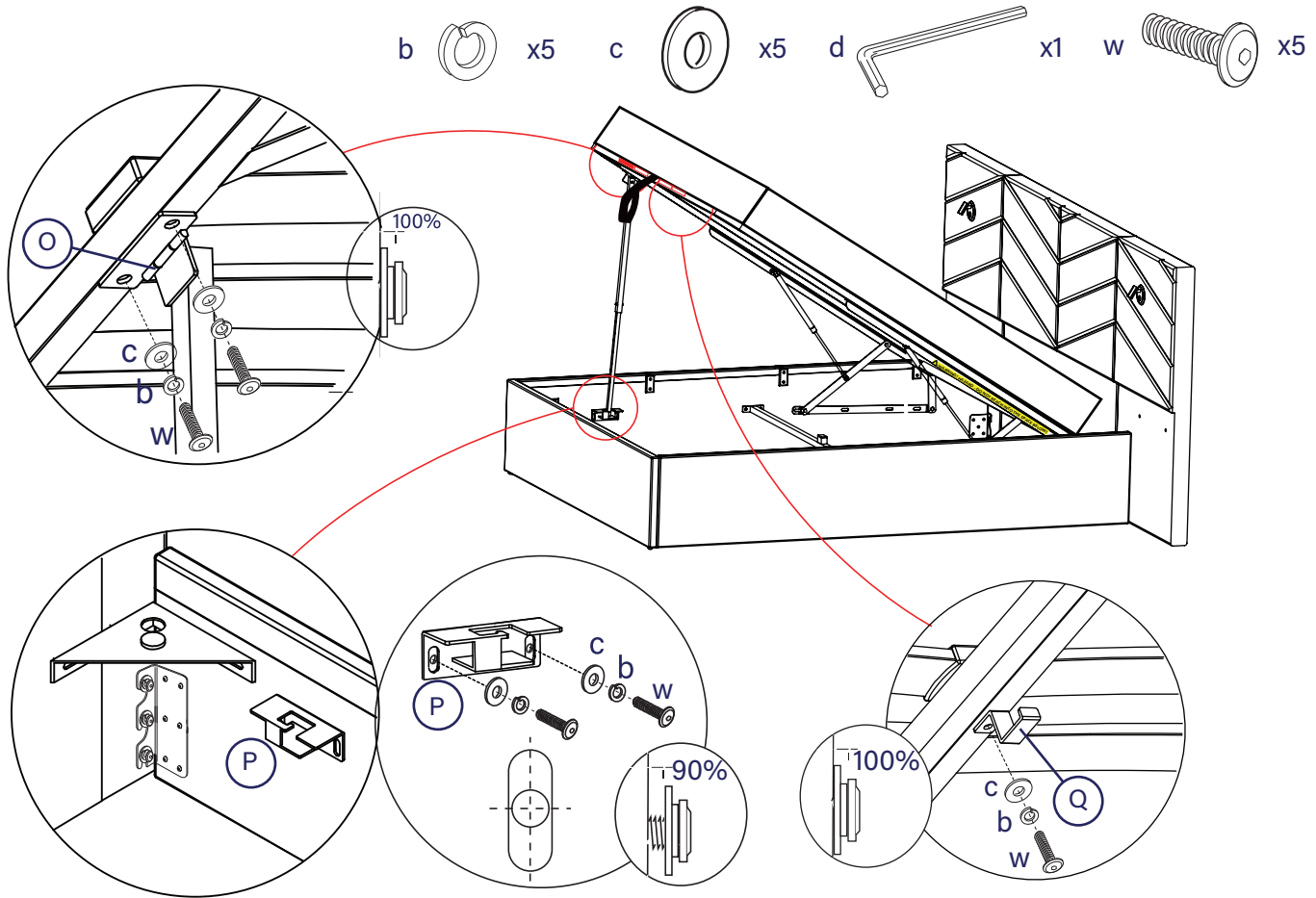
**Hold frame securely then tighten all six bolt sets 100% using spanner (j) & allen key (d).**

12



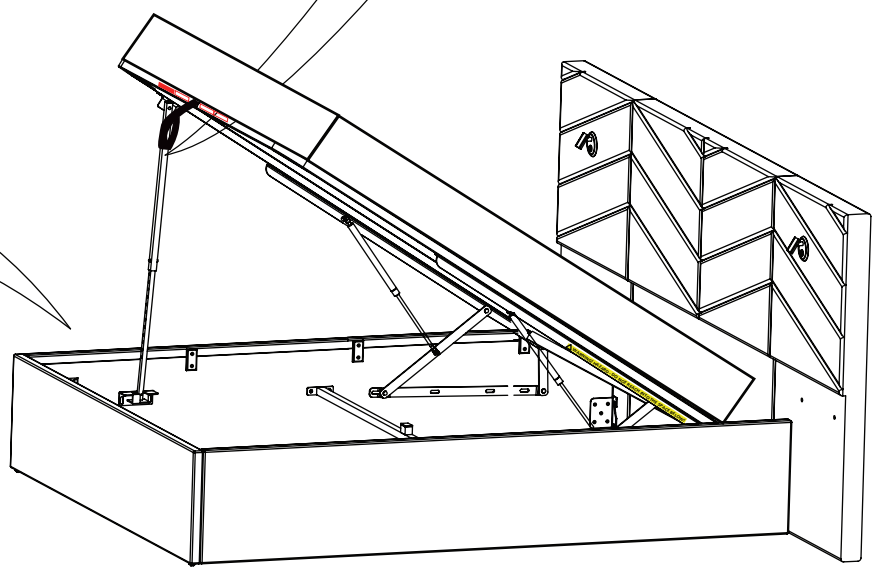
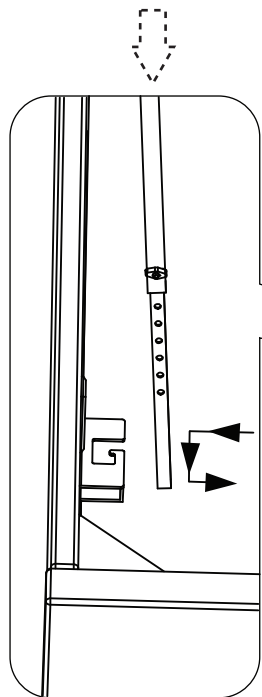
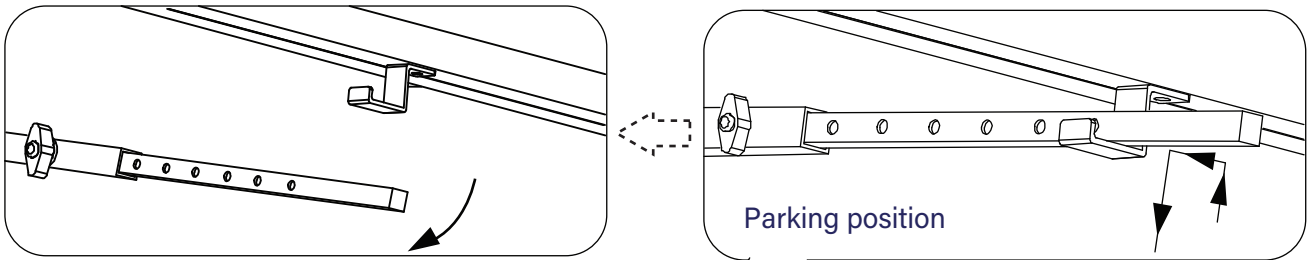
13

Unpack the contents of the Ottoman Support Bar (O.S.B.) from its carton - this is packed inside Pack 5.

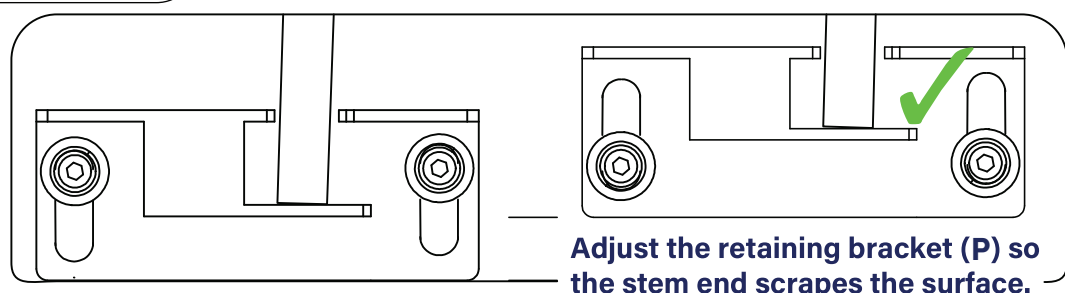
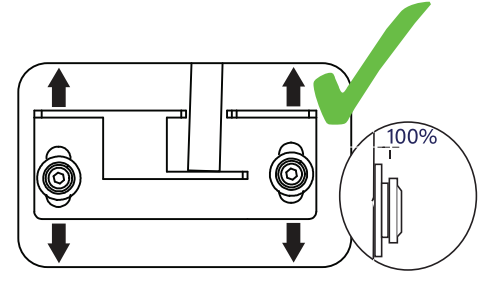
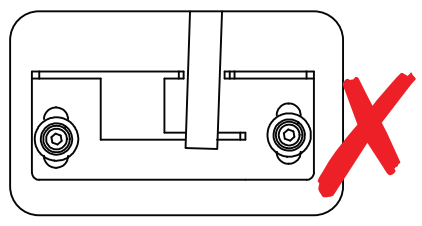
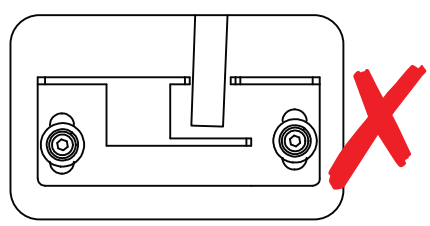
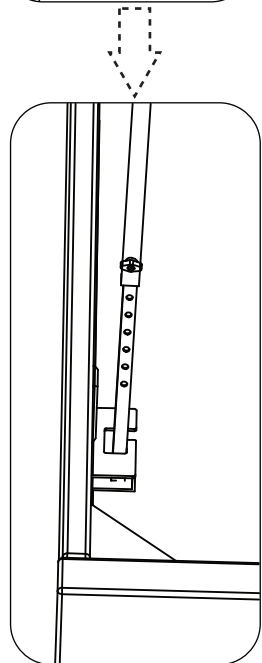


14

Setting the inner stem of the support bar (O), adjust the inner stem to the correct length.



Set the inner stem to the correct length so the end just touches the retaining bracket - it needs to touch to hold it in position.

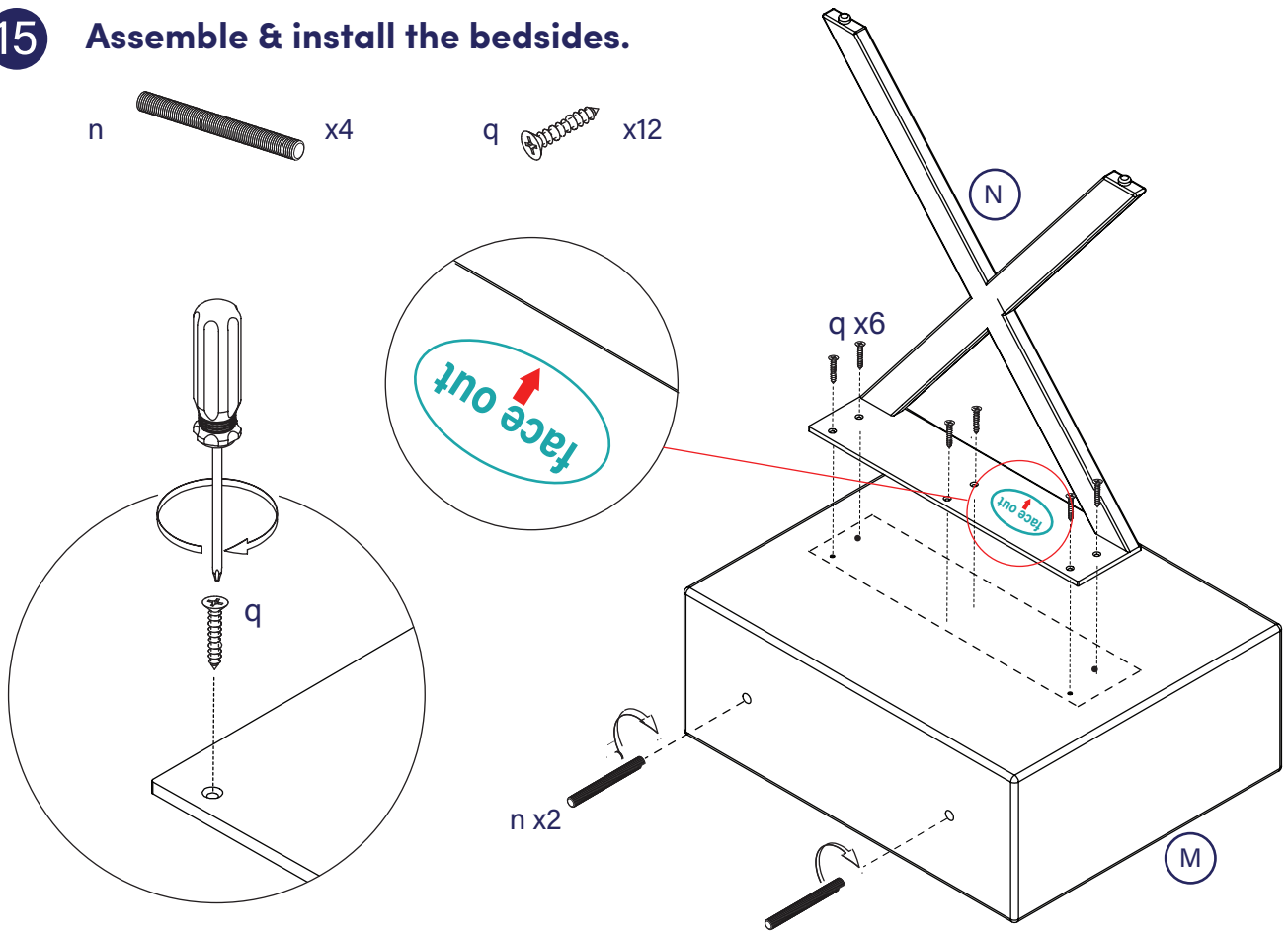


Adjust the retaining bracket (P) so the stem end scrapes the surface.

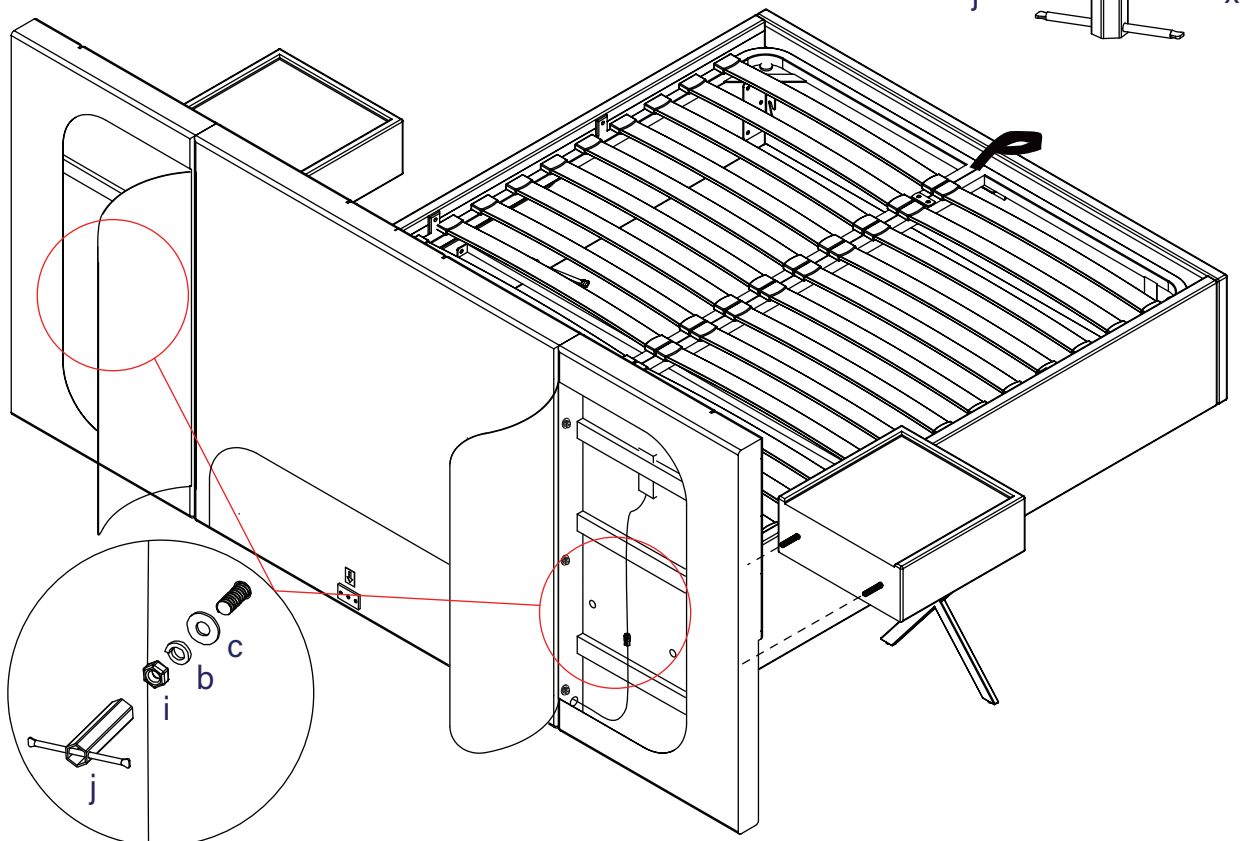
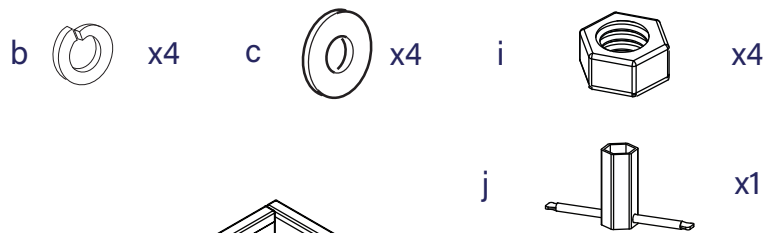


This Step & fitting the hardware & legs is for x2 bed sides

15 Assemble & install the bed sides.

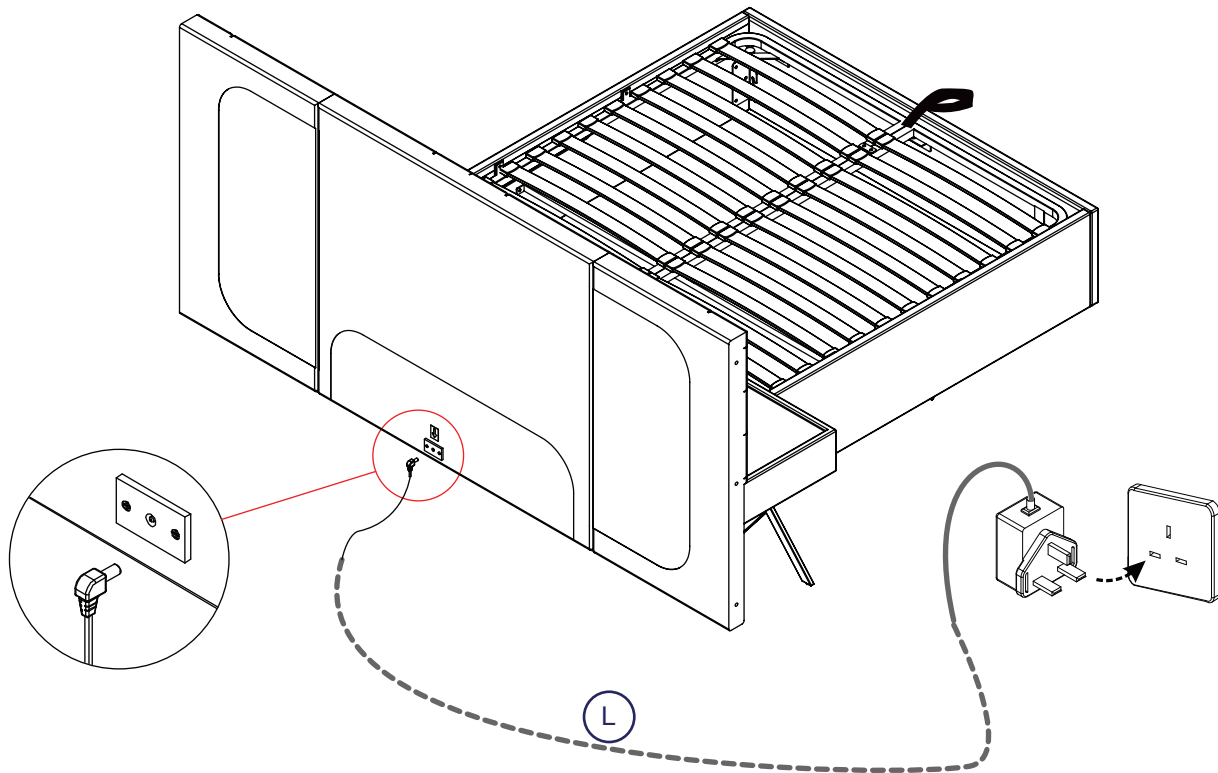


16

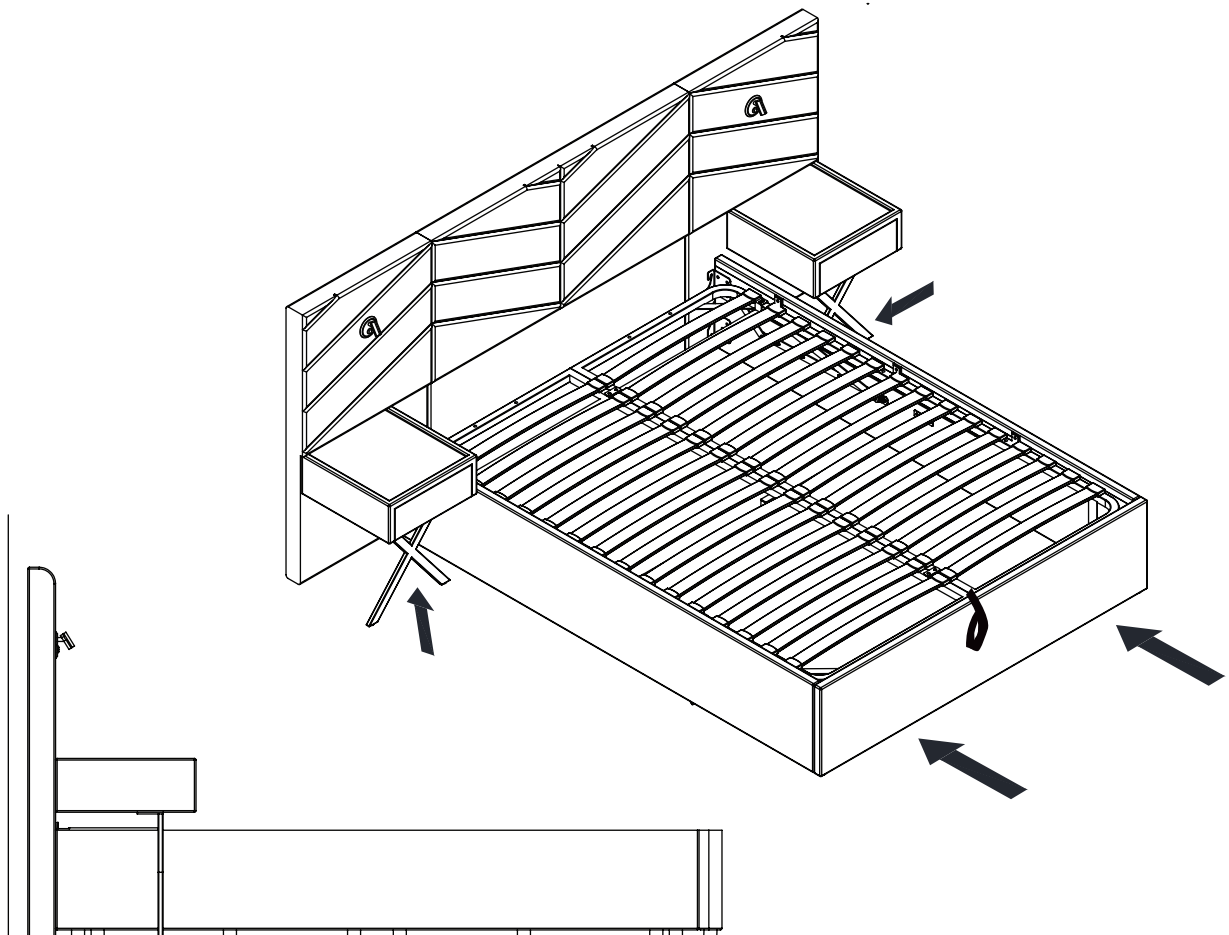




- 17** Fit the angled LV plug on the end of the power cable to the lower rear of the headboard and connect plug to the wall socket, for safety the power supply should be earthed.



- 18** Carefully move the headboard into its final position. As you move it, make sure the legs of the bedsides don't drag on the floor and twist.



# Care and maintenance

Here are some tips to keep your new bed in tip-top condition



## Cleaning

To clean your new bed, we'd advise using a warm damp cloth or if fabric, remove dust using a low suction vacuum cleaner - please do not use abrasive chemicals or bleach as this may damage the product.



## Checking and moving

Periodically we recommend you check that the screws or fixtures haven't become loose over time. To move your new bed, we recommend lifting it where possible, as dragging or pushing it could cause damage to your flooring.



## Wood

Please note each of our wooden pieces are unique, meaning that markings and shade can vary slightly between beds. Over a period of time, the wood might lighten or fade slightly due to light exposure.



## Fabric

Please note depending on the lighting, positioning and surroundings of your room, the shade of the colour can sometimes appear slightly different. Over a period of time the colour might lighten or fade slightly due to light exposure.



## Metal

Metal tends to be more resilient to everyday wear and tear. We recommend to gently dust your metal furniture and keep it dry to maintain its look.

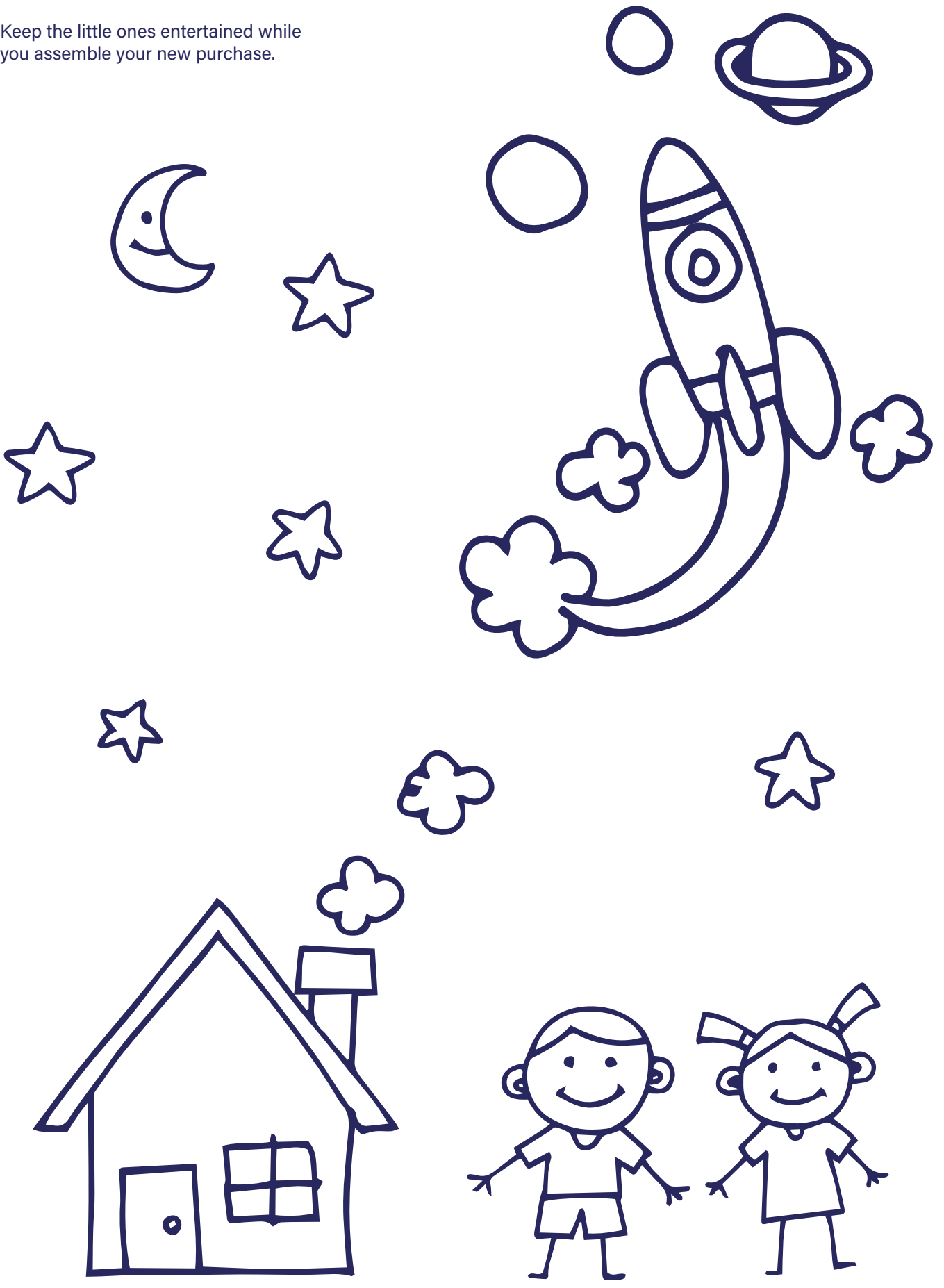
**Thank you for shopping with us - we hope you have  
a great night's sleep**

*Sleep well*



# Little dreamers

Keep the little ones entertained while you assemble your new purchase.



# Dreams

Love your bed