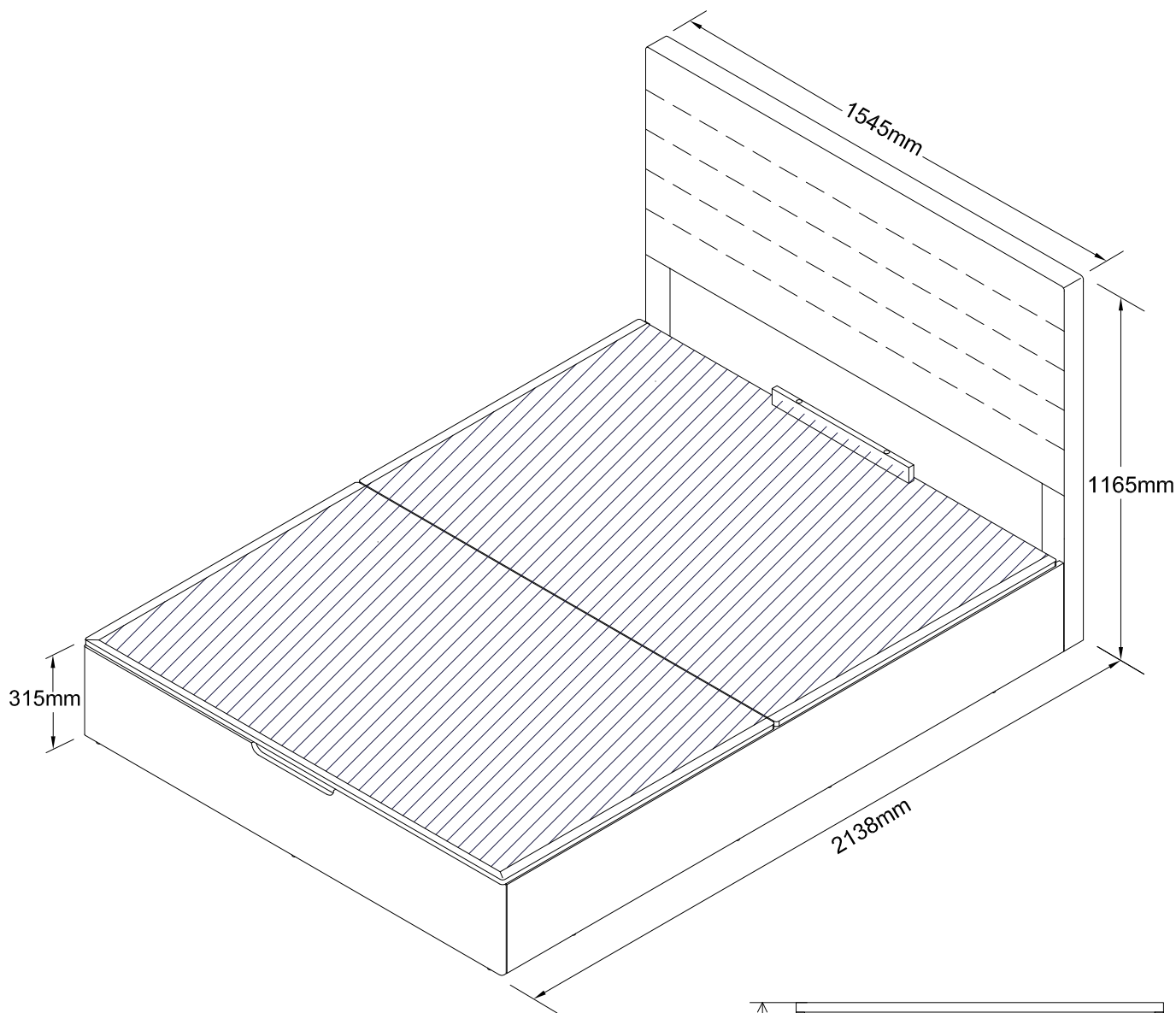


# Sutton Ottoman King Bed



Top base for mattress = 1530mm x 2000mm



1 hour approx  
assembly time



Two person  
assembly

**Dreams**

# IMPORTANT OTTOMAN SAFETY WARNINGS

- **IMPORTANT-READ CAREFULLY-RETAIN FOR FUTURE REFERENCE**
- You must ensure that the mattress is on the bed frame before operating the lift mechanism-Failure to do so could result in injury.



- Keep hands clear of the mechanism when opening or closing the ottoman.
- Beware of entrapment - Never reach in through the mechanism to access the storage area.
- Always ensure that the ottoman is FULLY opened before accessing the storage area.
- Do not exceed the maximum weight as specified in the table below :

Bed Size	Min Weight (kg)	Max Weight (kg) (Recommended)
Small	20	35
Small Double	20	40
Double	25	50
King	30	65
Super King	35	70

- Use caution when operating, always use the handle when lifting.
- Ottoman Support Bar - Always engage the support bar when accessing the storage area.
- Note: This bed uses a pressurised mechanism.
- To be operated by adults only.
- Please ensure that children and pets are kept away from the bed when operating the lift mechanism.
- Keep children and pets away from the storage area.
- Do not overload the internal storage base.
- Do not stand inside the internal storage area of the bed.
- Please lift open the mattress base before removing the mattress to prevent the base opening unexpectedly.
- Do not attempt to lie on the mattress when the ottoman is in the raised position.
- When lifting the ottoman remove all bedding except the fitted sheet.

# Thank you

Hello, thanks for choosing to purchase your bed from Dreams - you're now on your way to your best ever night's sleep. Before you begin building your bed, please take a moment to read through the instructions and make sure that you've got all the relevant parts listed on the following pages.



## Assembly tips

Before you begin, it's best to identify all parts and fittings to build your bed. We advise laying these out on the floor to check you have everything, and familiarising yourself before building.



## Top tip

We recommend that you build your new bed in the room you'd like it to be located - this will help prevent any risk of damage to your newly built bed whilst moving it.



## Safety and care

It's really important to ensure children and animals are kept away from the assembly area, as there are small components used in this bed which could present a choking hazard. All plastic and wrapping materials should also be kept away from children and animals to prevent any risk of suffocation. To keep your little ones busy, there is a colouring page inside the back cover.



## Help and support

At Dreams, it's our mission to give the whole nation a great night's sleep - this means that the quality of our products is of utmost importance to us. If there are any issues with your product or any missing parts, please visit our website at [www.dreams.co.uk/help](http://www.dreams.co.uk/help)



## Recycling

Please ensure that packaging is disposed of in a safe and environmentally friendly way, and recycle where possible. Please keep your assembly instructions safe to refer back to in the future.

# Tips before you start!

1. Please check that all parts are present before you start the assembly of your furniture.
2. For ease and speed of assembly, we recommend that before you commence each step of the assembly, that you identify all the parts required for that step.
3. For larger items, please ensure that you have sufficient space and people (as indicated on page 1) to assemble your product safely. (Minimum Two Persons)
4. We recommend where possible, all items are assembled near to the area where they will be placed in use, to avoid moving the product unnecessarily once assembled.
5. Please ensure that your bed is placed on a level floor area. (Avoid setting up and installing your bed on uneven floor surface.)
6. For the protection of your furniture, we recommend that the product is placed on a protected surface during assembly to prevent any damage.
7. During assembly please take care not to over-tighten any fittings, as this may damage the product.

## Care and Maintenance of your Furniture

- Please do not jump on your furniture.
  - Never allow any kind of liquid to remain on your furniture. This can cause finishes to de-laminate. Take care when spraying Perfume and deodorants etc as the vapour can settle on the fabric surface and cause damage.
  - The bed should always be lifted into position if moved for cleaning.
  - Never store damp items of clothing, textiles or products in the ottoman storage area.
  - Ensure that a routine airing of ottoman storage area is carried out (seasonally).
  - Do not over fill the ottoman storage area.
- A. This Lift Mechanism provides assistance with the lift of the mattress fitted to the base - it does not lift the mattress for you. The system has been designed to effectively lift the base system fitted with a variety of mattress weights and combinations of depth. The combination of mattress weight and depth determines the degree of assistance provided by the mechanism.
- B. Following installation of the mechanism lift / pull the base up and down a few times to free off the system - the gas cylinders fitted to the system may be stiff when first used or if the system has not been operated for a period of time. The mattress must be fitted to the base.
- C. Use the strap handle to lift up the mattress base using two hands - Pull the mattress base down using two hands equally spaced from the centre of the mattress base. DO NOT pull down on one side of the base only as this is likely to damage the base system with potential failure of the mattress base system and lift mechanism. Do not operate the lift up mechanism without the mattress fitted to the base.

**CAUTION :**

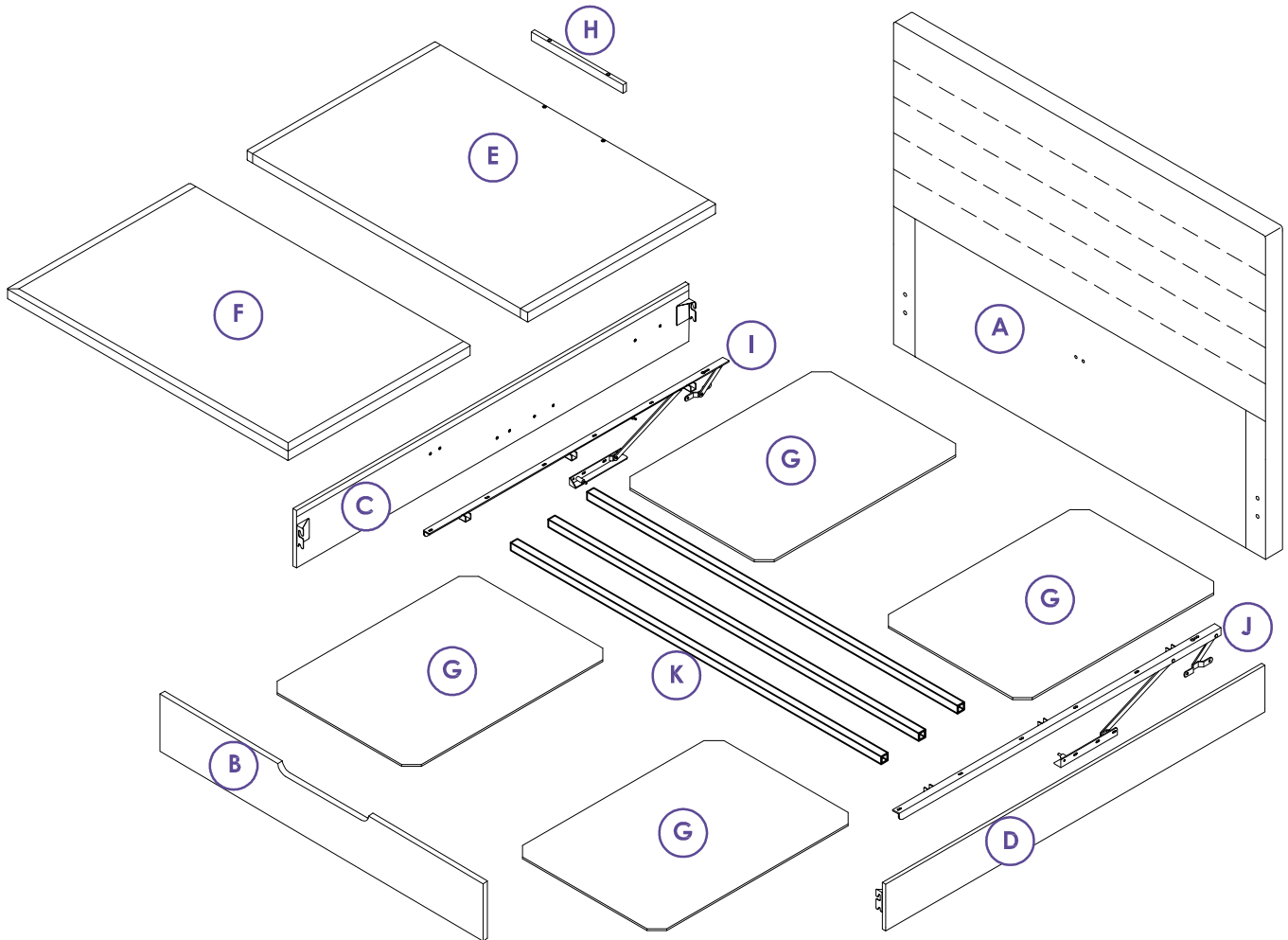
- Do not allow children to operate the lift Mechanism.
- Do not allow children near the lift base when operating the Mechanism.
- Do not allow children in the area of the internal storage base.
- Keep hands clear of the mechanism when operating the base system.
- Do not stand inside the bed / on the internal storage base.
- Do not overload the internal storage base.

**DO NOT USE ANY POWER TOOLS AS THIS MAY DAMAGE THE FRAME AND WILL  
INVALIDATE ANY CLAIM**

# Parts

## Important information

Once you have identified you have all of the relevant parts and fittings, please follow the instructions for your chosen daybed below;

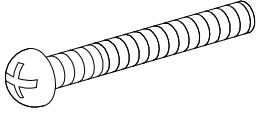


## Parts list

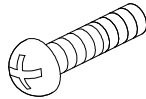
A.	Headboard	<input type="checkbox"/>	F.	Back Lift Base	<input type="checkbox"/>
B.	Footboard	<input type="checkbox"/>	G.	Base Panel	<input type="checkbox"/>
C.	Side Rail (L)	<input type="checkbox"/>	H.	Mattress Support Rail	<input type="checkbox"/>
D.	Side Rail (R)	<input type="checkbox"/>	I.	Lift Up Mechanism (Left)	<input type="checkbox"/>
E.	Front Lift Base	<input type="checkbox"/>	J.	Lift Up Mechanism (Right)	<input type="checkbox"/>
			K.	Cross Rail	<input type="checkbox"/>

# Fittings

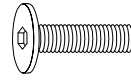
Please check you have all the parts listed below with your product:



(L) M8 x 50  
x 2 pcs



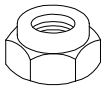
(M) M8 x 20  
x 18 pcs



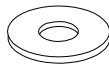
(N) M6 x 20  
x 12 pcs



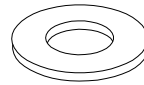
(O) Gas Spring  
x 2 pcs



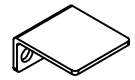
(P) M8 x 13mm  
x 4 pcs



(Q) M6 x 16mm  
x 10 pcs



(R) M8 x 18  
x 18 pcs



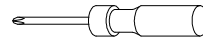
(S) L Support Bracket  
x 3 pcs



(T) Allen Key (M4)  
x 1 pc



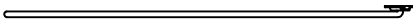
(U) Spanner  
x 1 pc



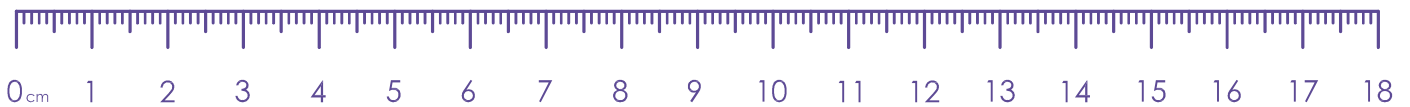
(V) Screwdriver  
x 1 pc



(W) Plastic Hook  
x 1 pc



(X) Ottoman Support Bar  
x 1 pc



# Tools required

Please check you have all these below:



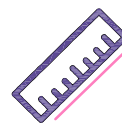
Flathead  
screwdriver



Scissors



Spanner



Tape measure

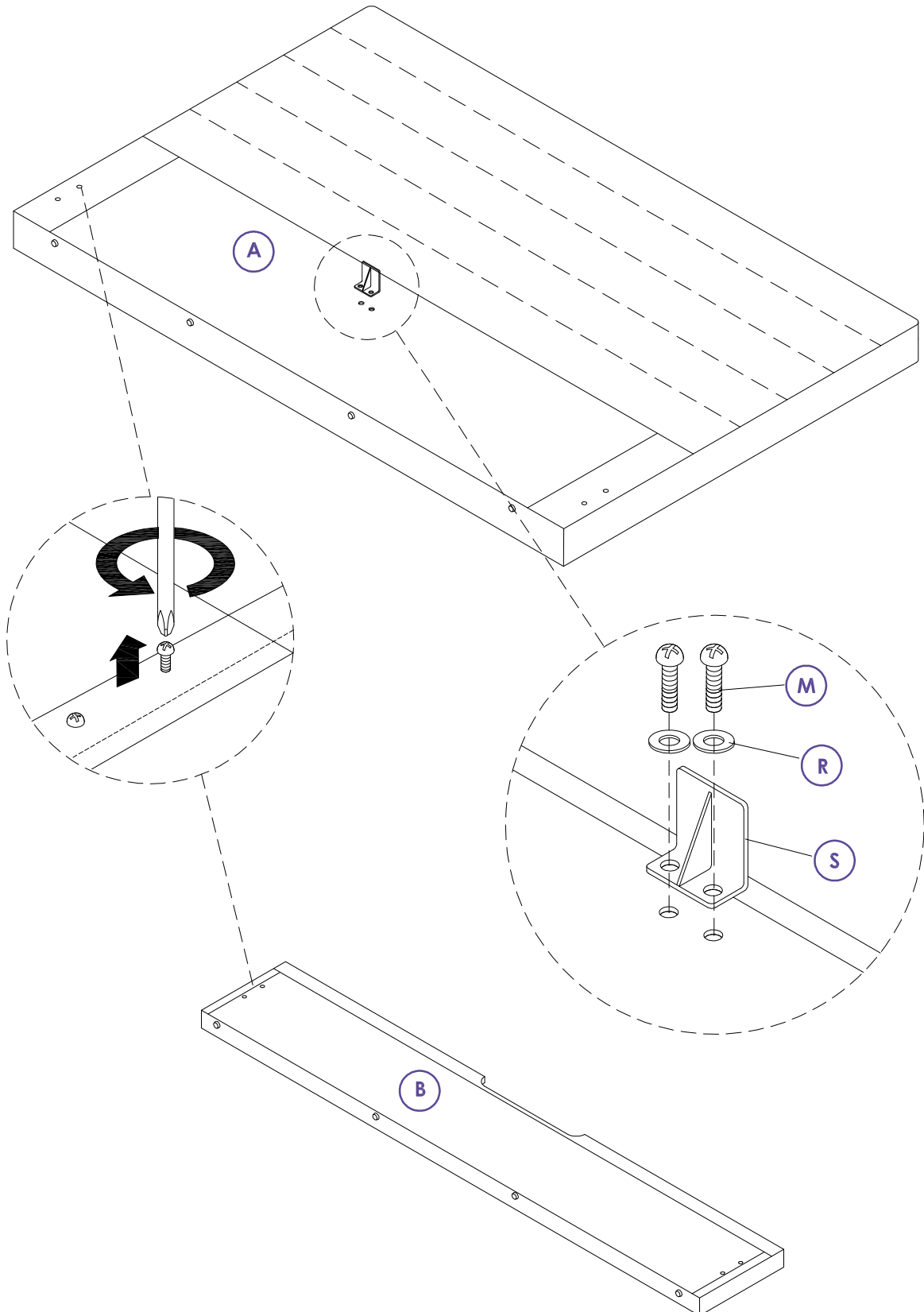


Cross head  
screwdriver

# L Bracket Assembly

1

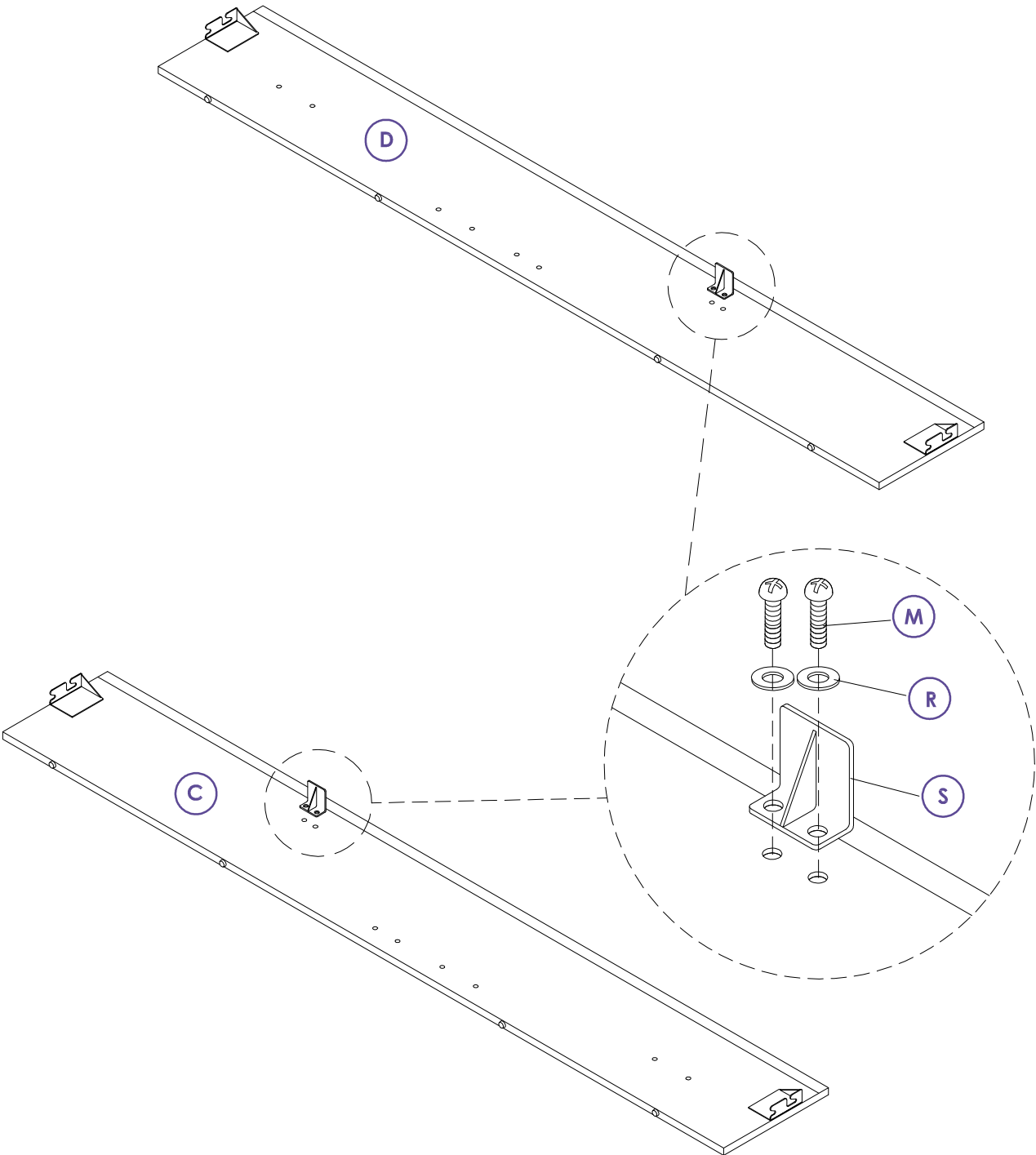
- Fix the L Bracket to the headboard & footboard with flat washer (R) & bolt (M) as shown.
- Tighten the bolts.



# L Bracket Assembly

## 2

- Fix the L Bracket to the side rail with flat washer (R) & bolt (M) as shown.
- Tighten the bolts.

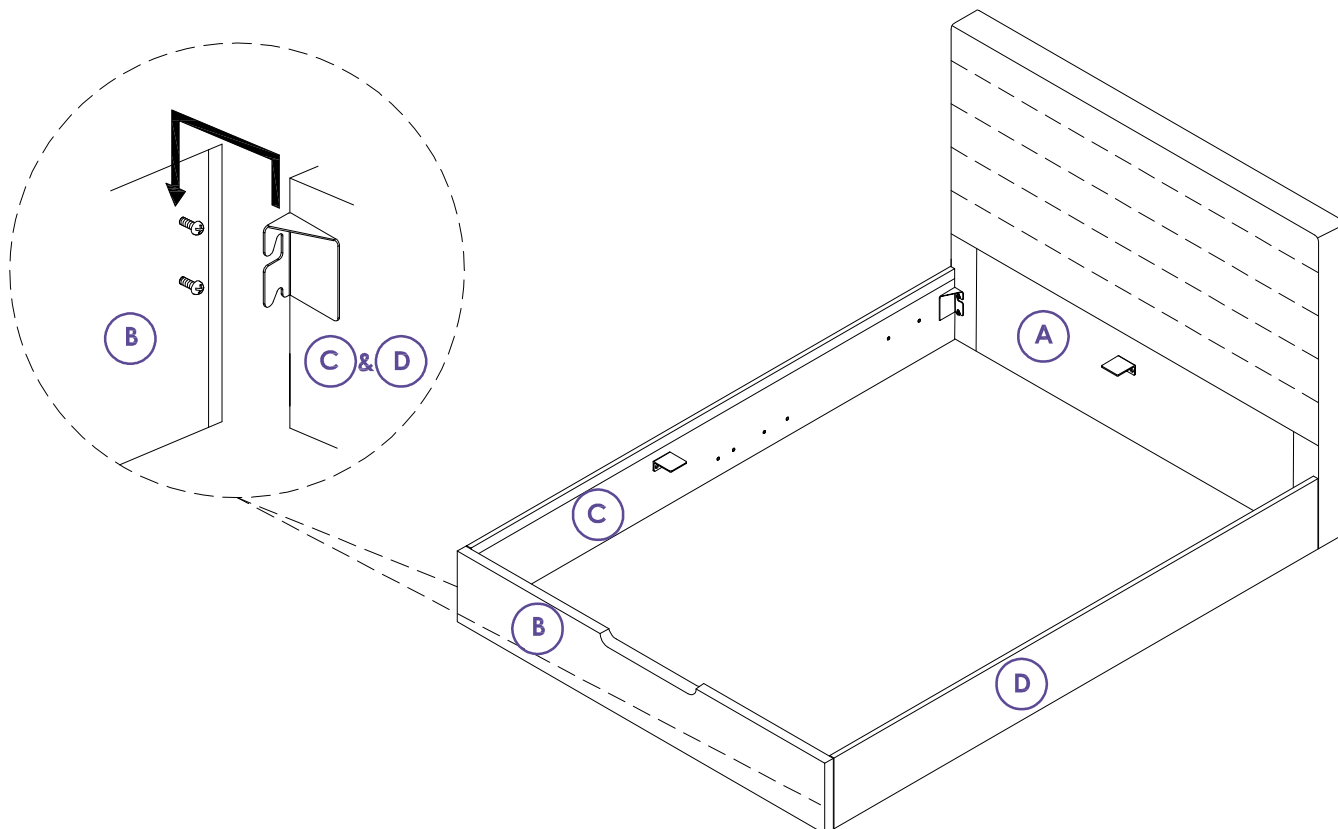
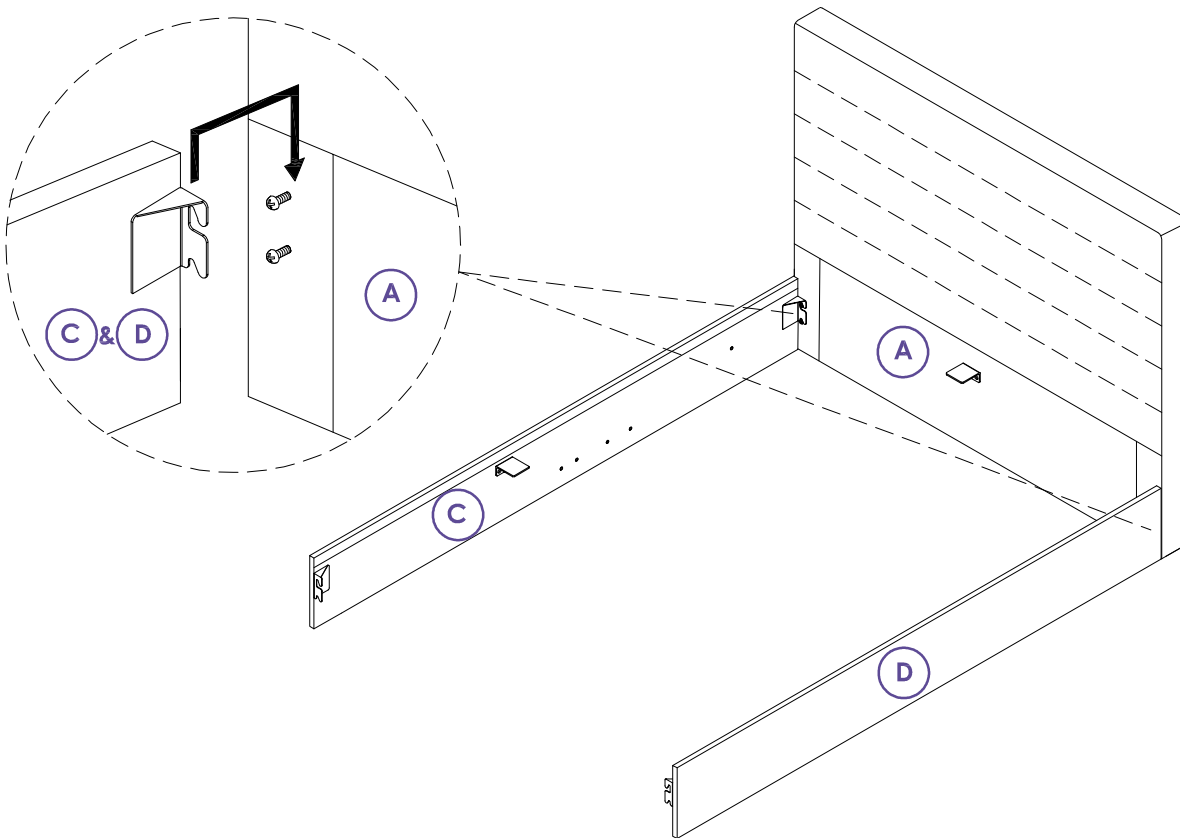




# Side Rail Assembly

3

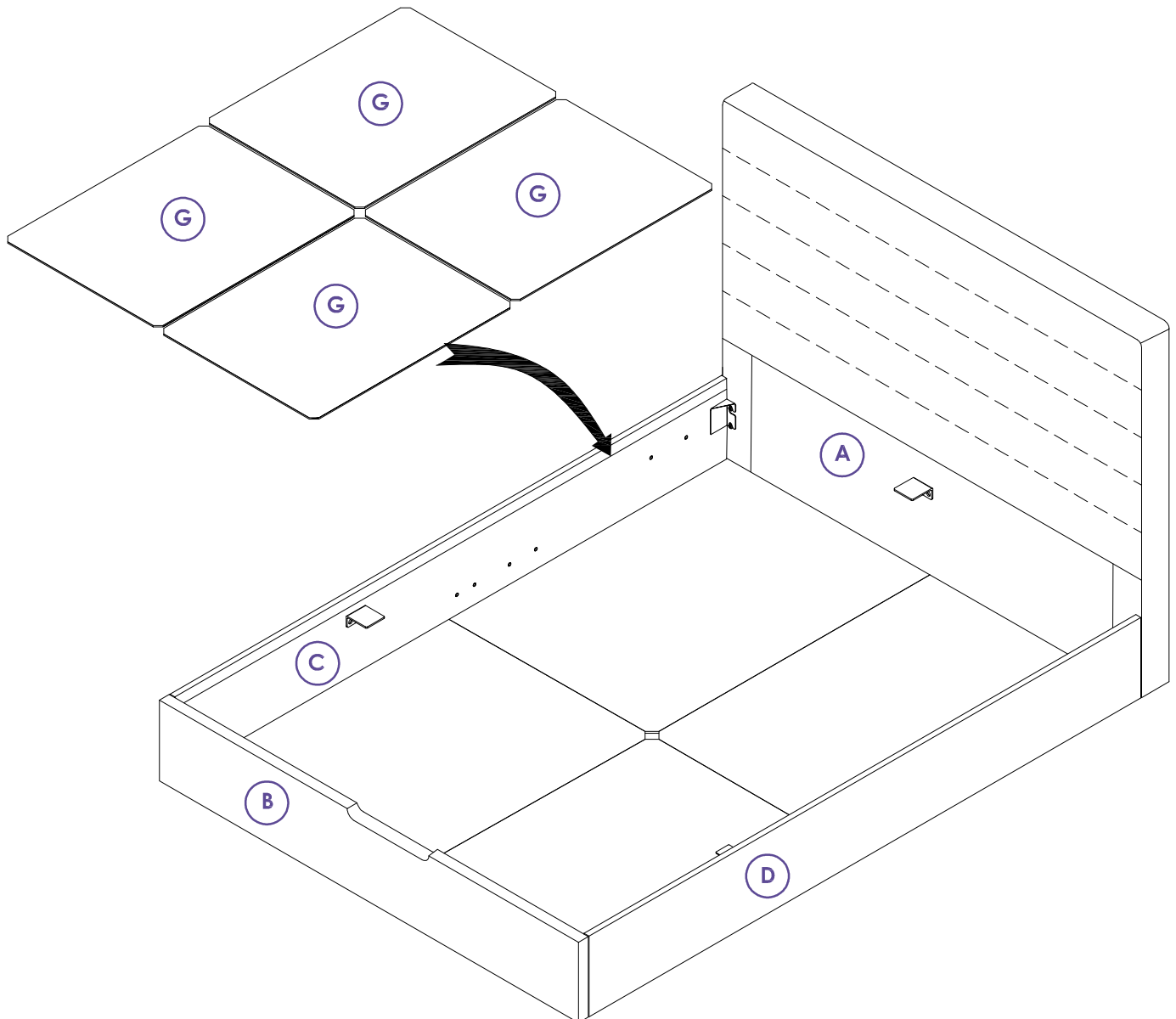
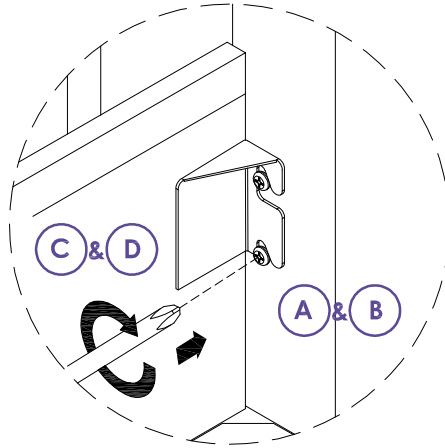
- Hook the side rail over the bolts in headboard & footboard as shown.



# Base Panel Assembly

4

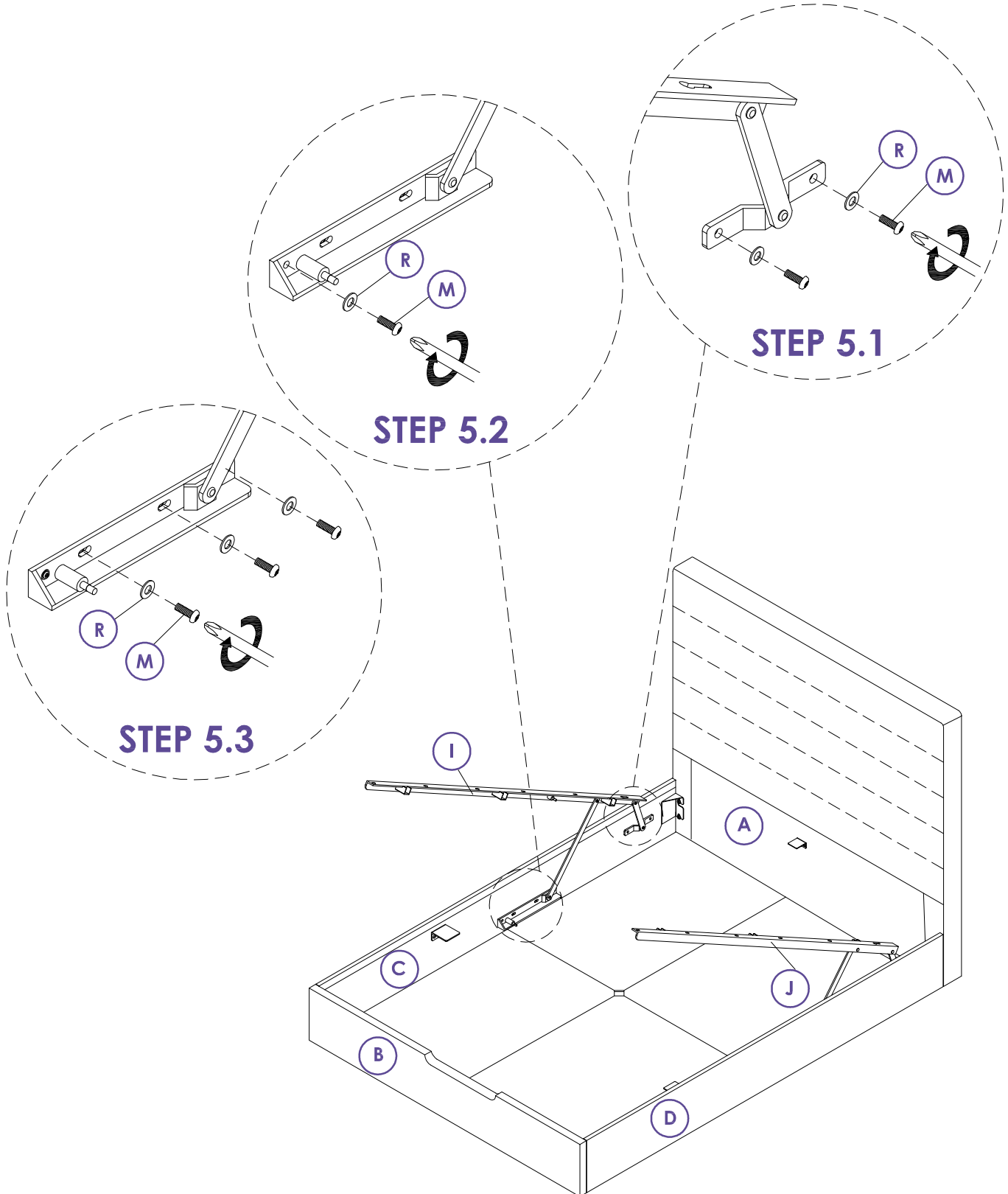
- Put the base panel (G) inside the bed as shown.
- Tighten the bolts on headboard & footboard as shown.



# Lift Up Mechanism Assembly

5

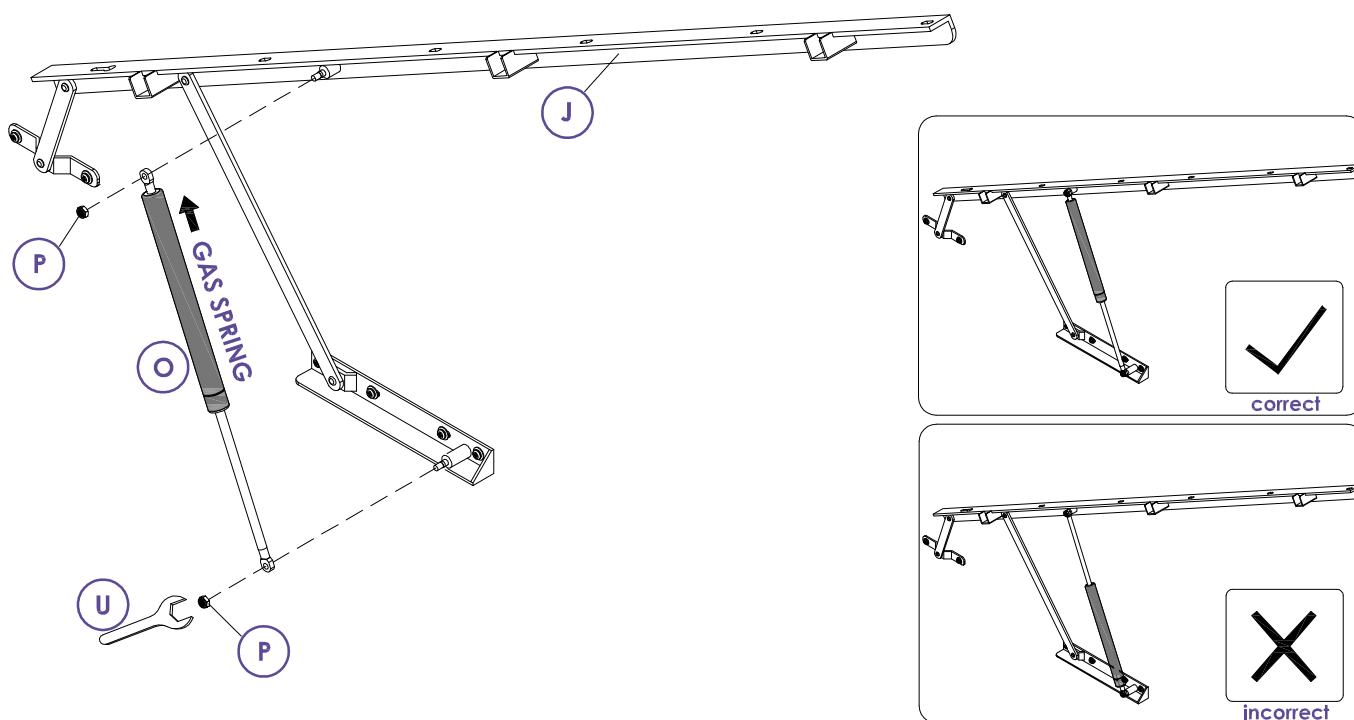
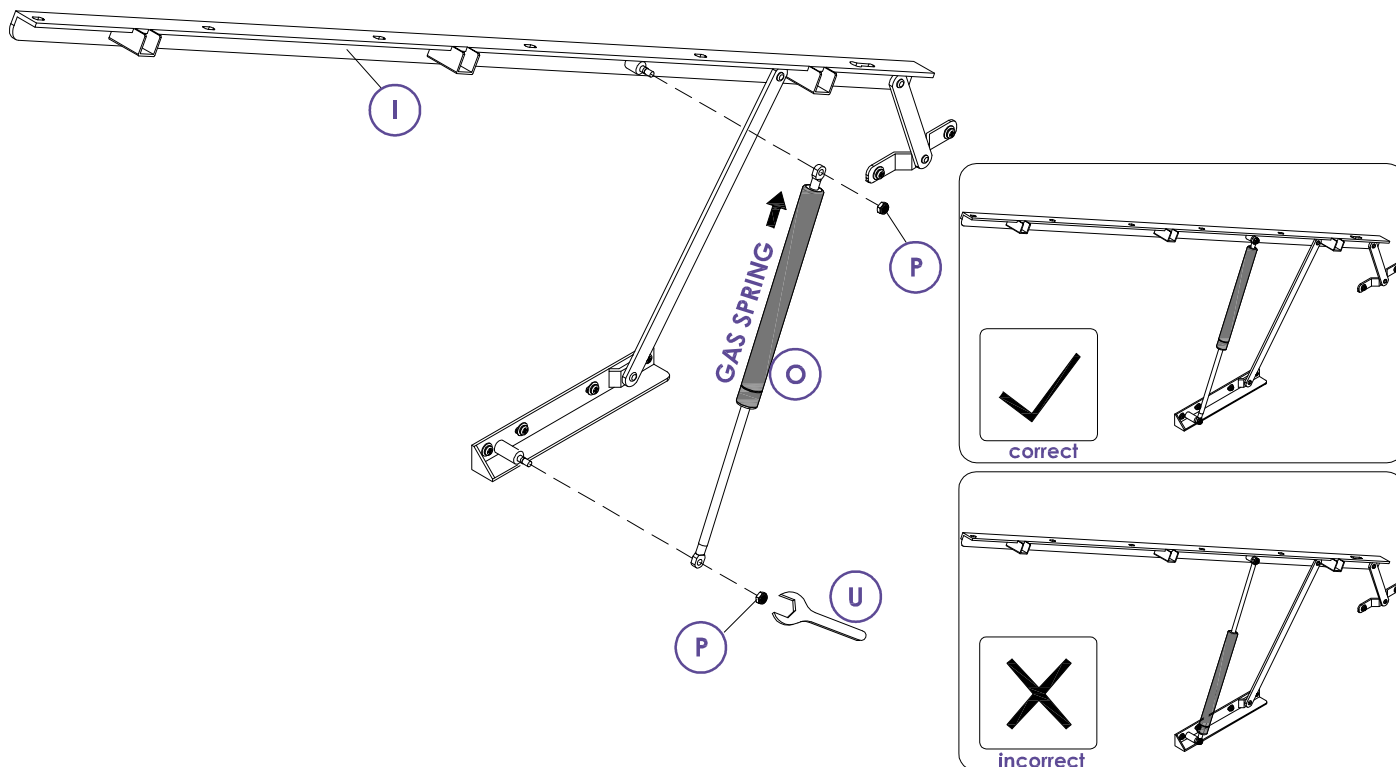
- Attach the lift up mechanism (I) to the side rail (C) & lift up mechanism (J) to the side rail (D) with bolt (M) & washer (R) as shown.



# Gas Spring Assembly

6

- Fix the gas spring (O) to the lift up mechanism with the nylon nut (P) using spanner (U) provided.
- Repeat the same step for the other side.
- Fully tighten all nuts after attaching the pistons.

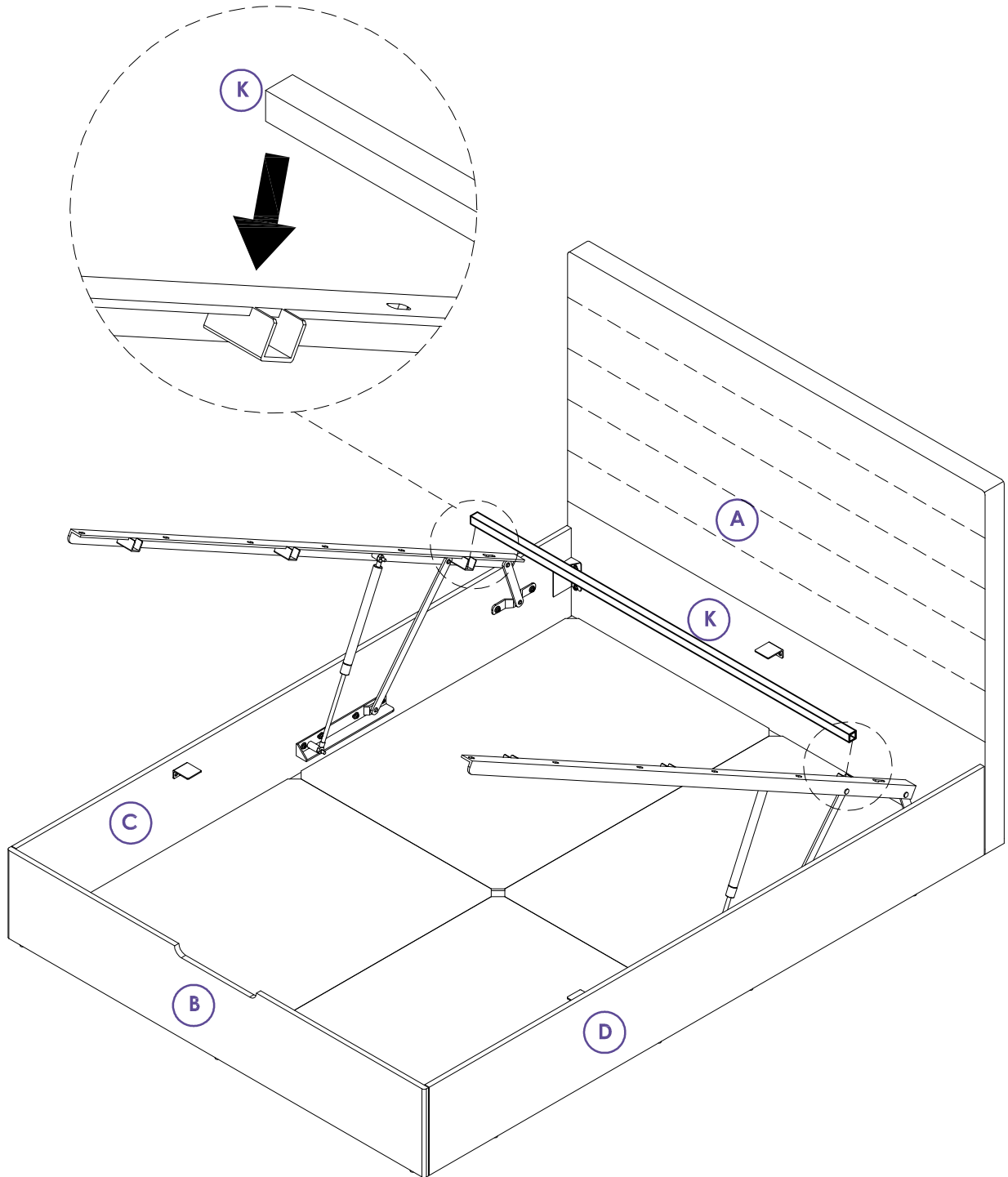


**Fully tighten all nuts after attaching the pistons.**

# Cross Rail Assembly

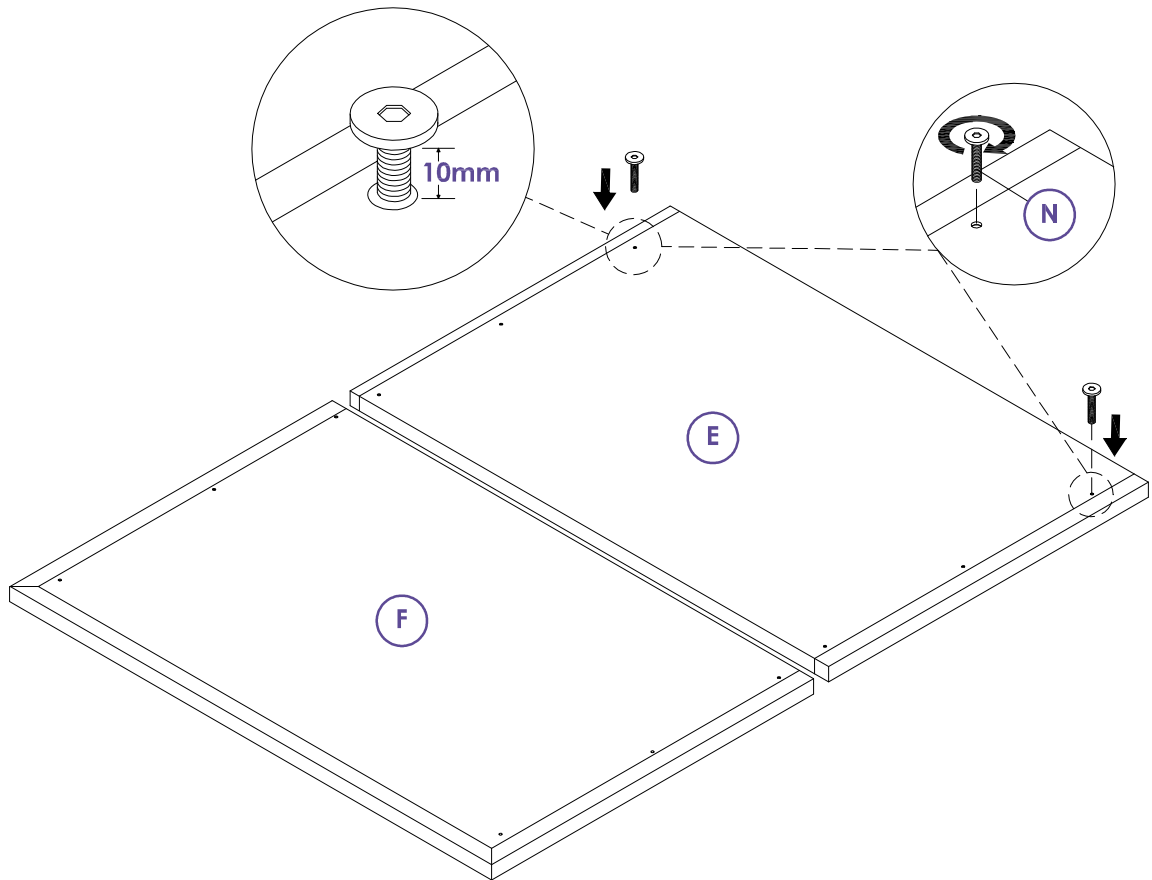
7

- Attach the cross rail (K) to the lift up mechanism as shown.



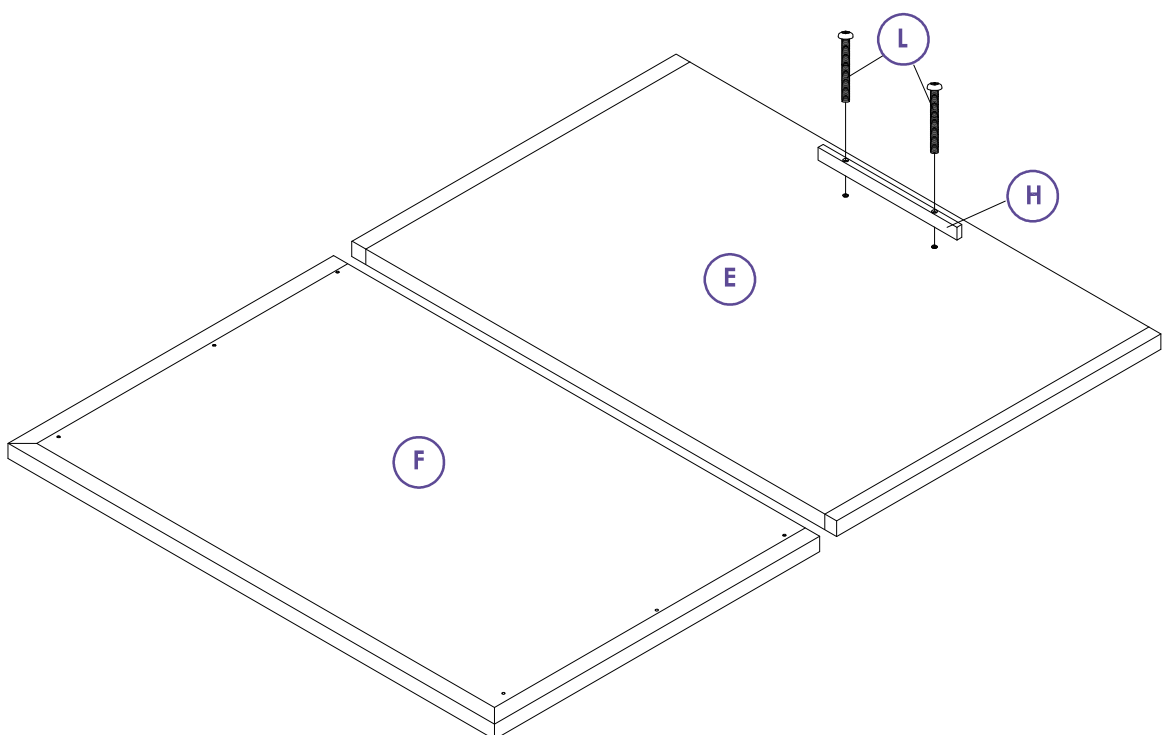
8

- Fix the bolt (N) to the front lift base as shown.



9

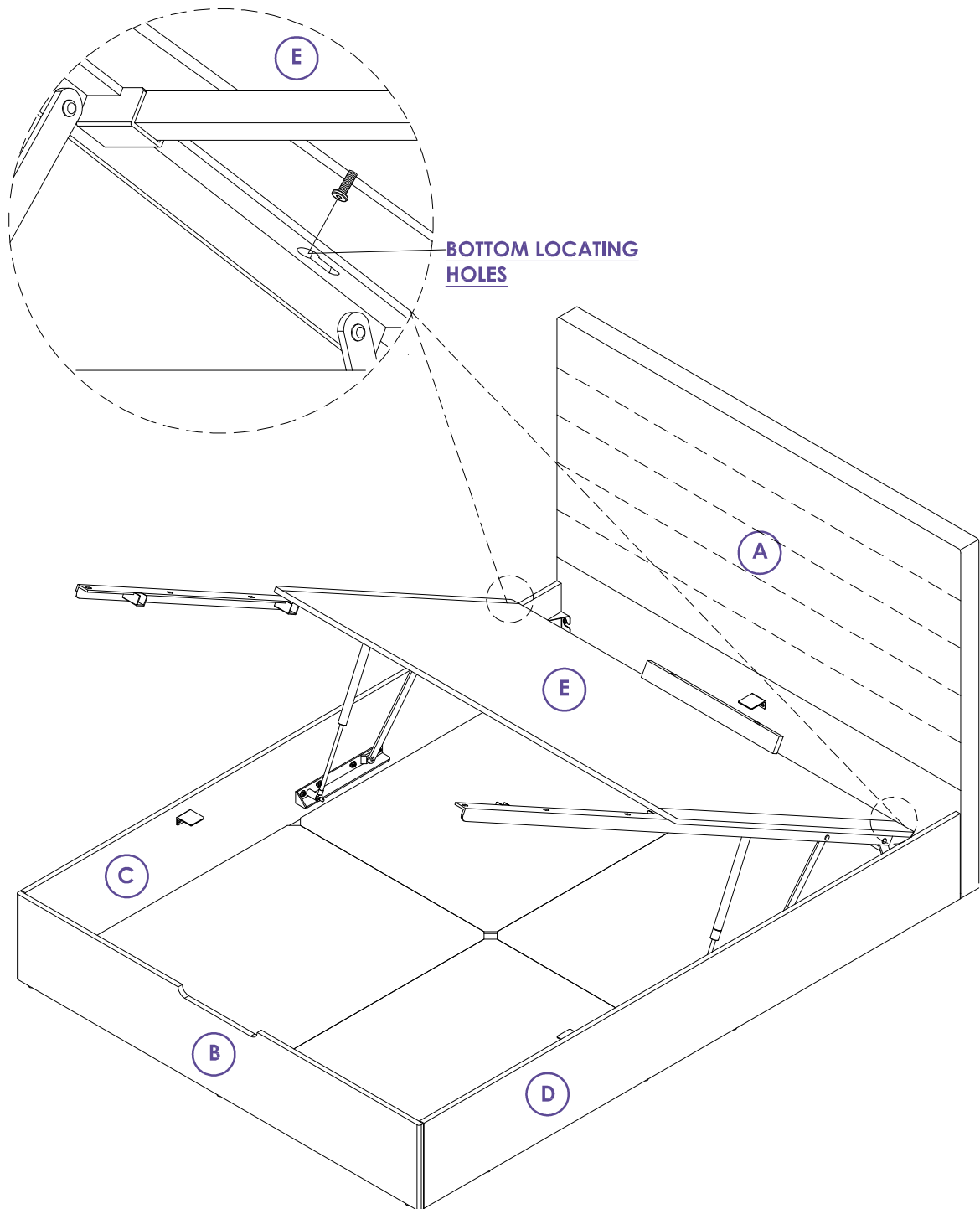
- Fix the mattress support rail (H) to the front lift base (E) with screw (L) using screwdriver (V) provided.



# Front Lift Base Assembly

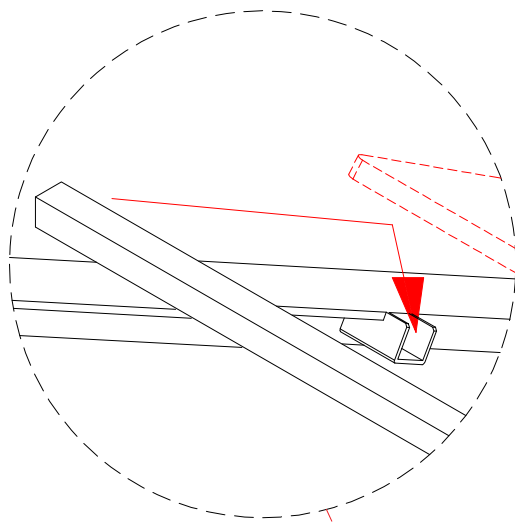
10

- Attach the front lift base (E) to the lift up mechanism as shown.
- The head of bolt must go through the key hole of lift up mechanism.

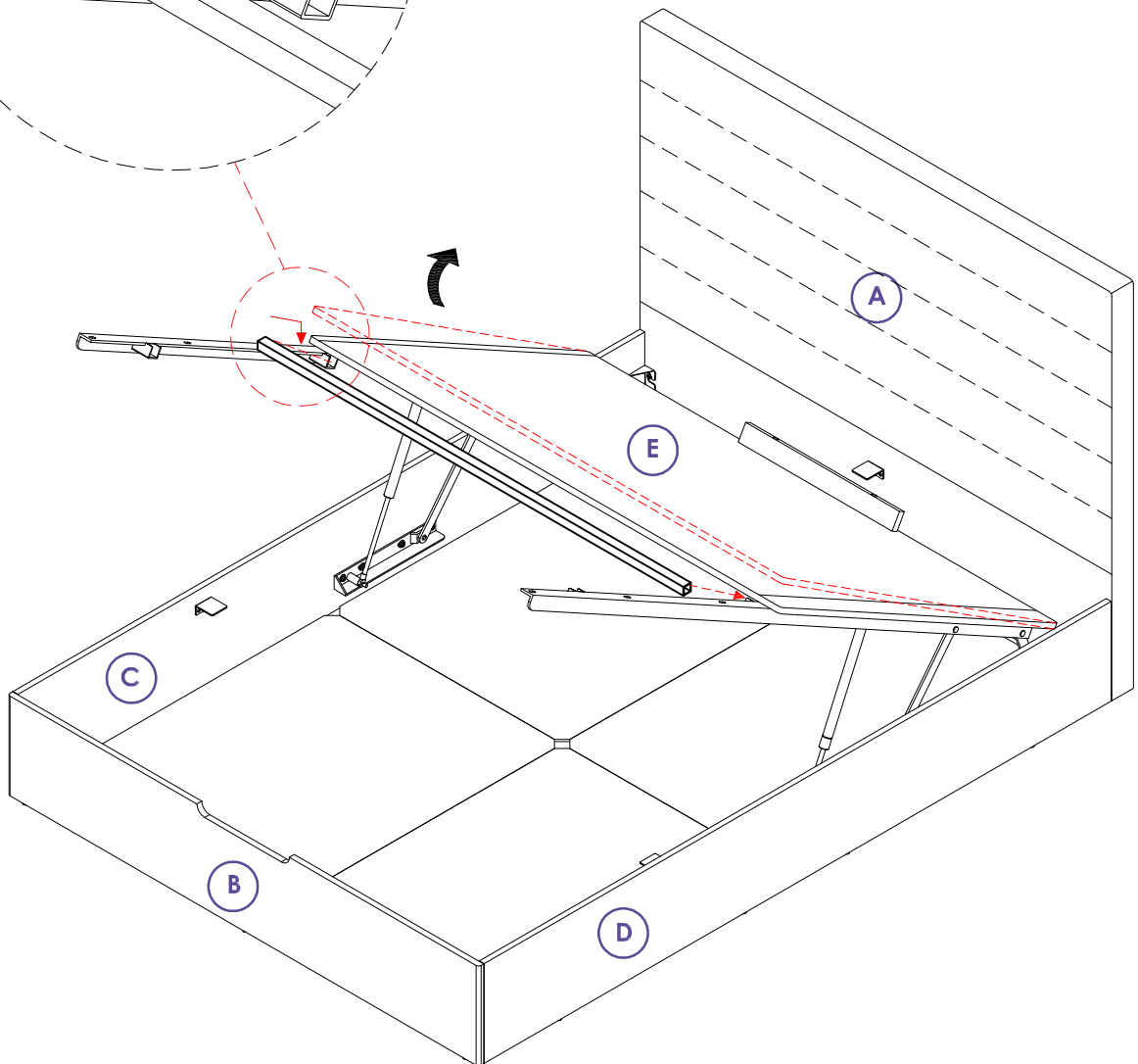


# Center Cross Rail Assembly

11



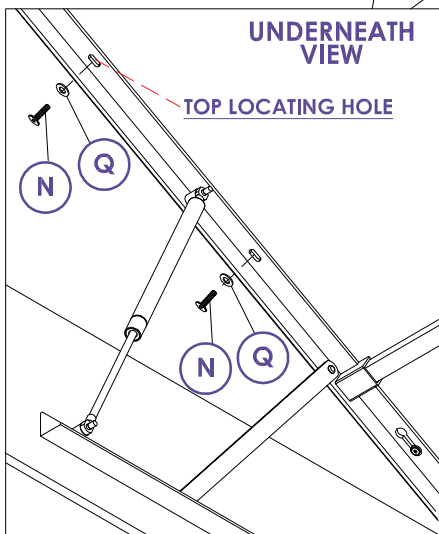
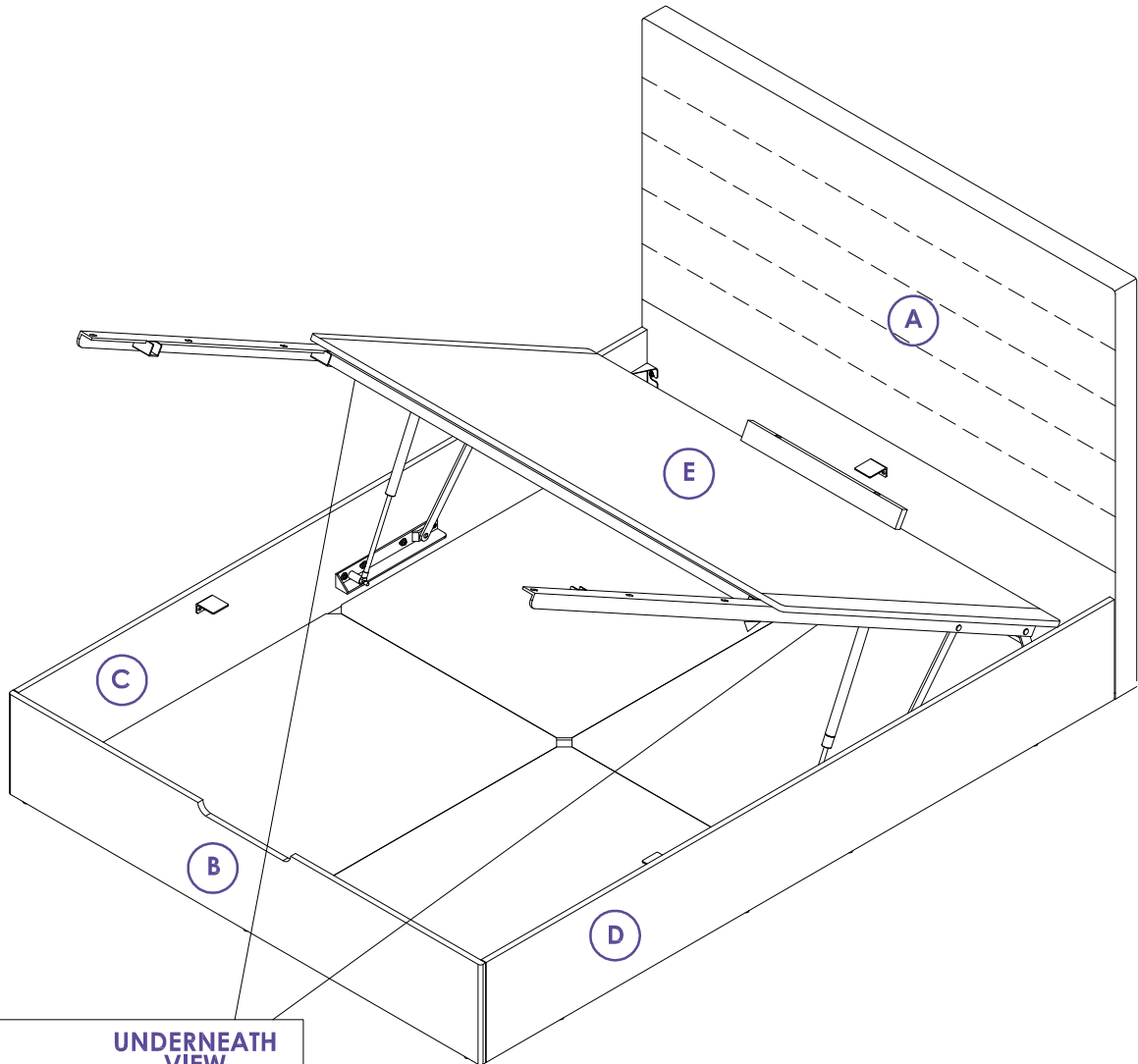
Attach the center cross rail (K) x 1 into the slotted lift up mechanism as shown. Raise the front lift base up by 20mm and slot in the cross rail into the mechanism.





# Front Lift Base Assembly

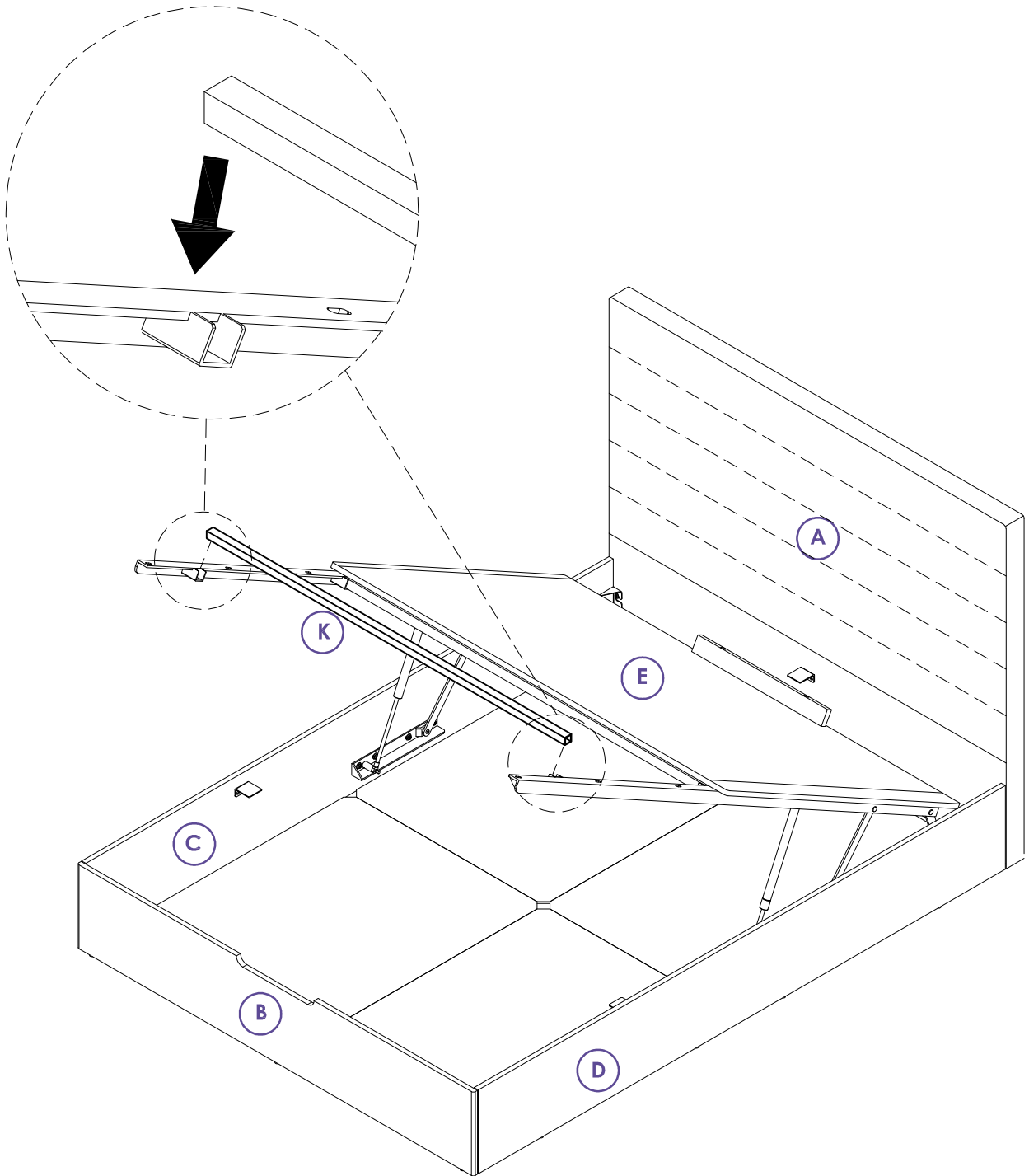
12



Tighten the TOP LOCATING HOLES first, then continued to tighten all others screws as shown by using allen key provided.

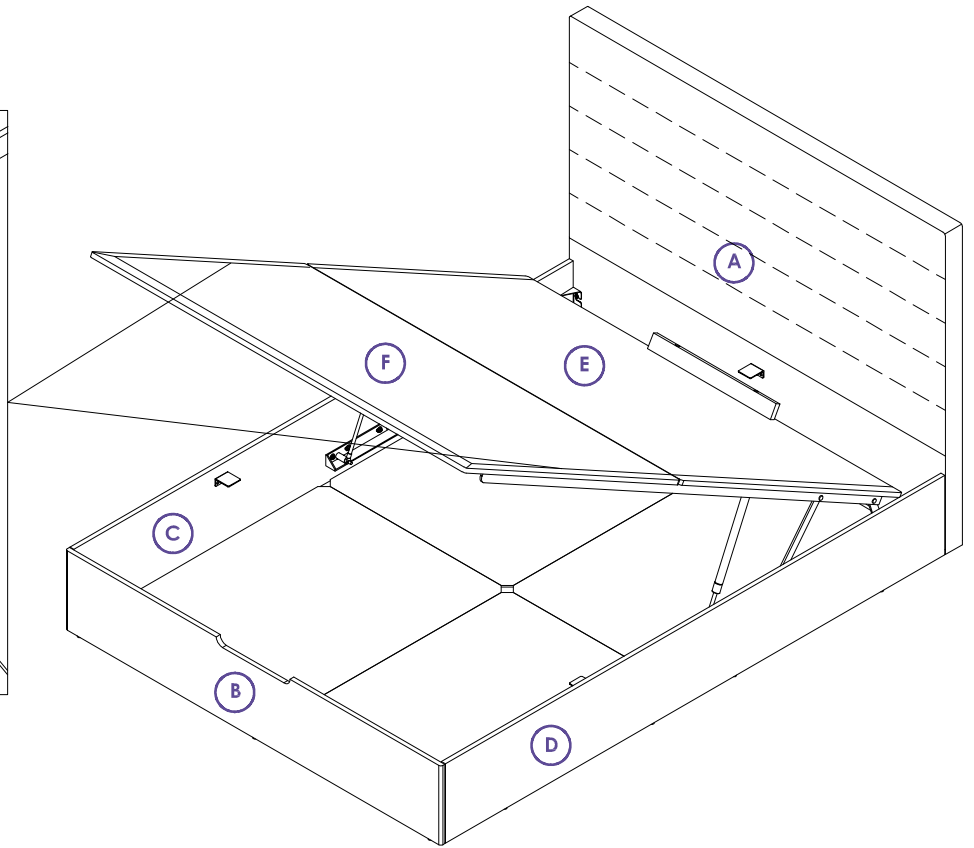
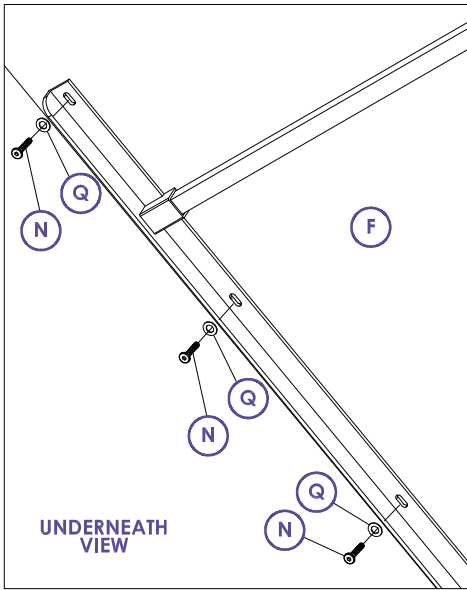
# Cross Rail Assembly

13



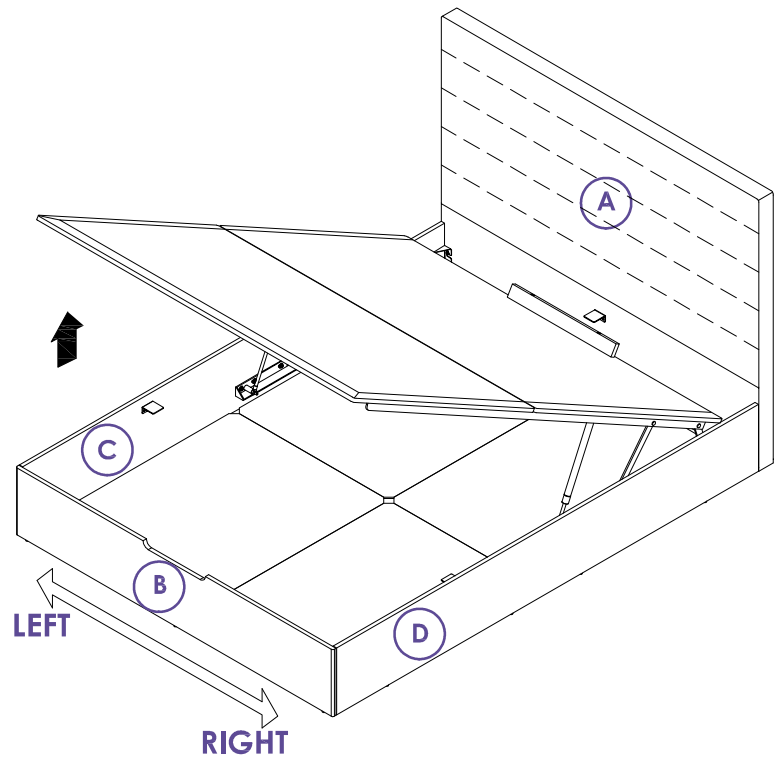
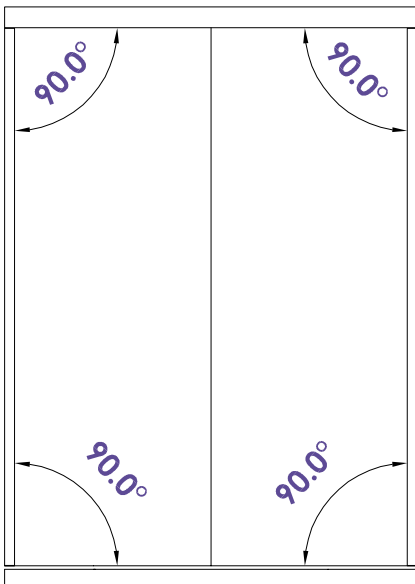
# Back Lift Base Assembly

14



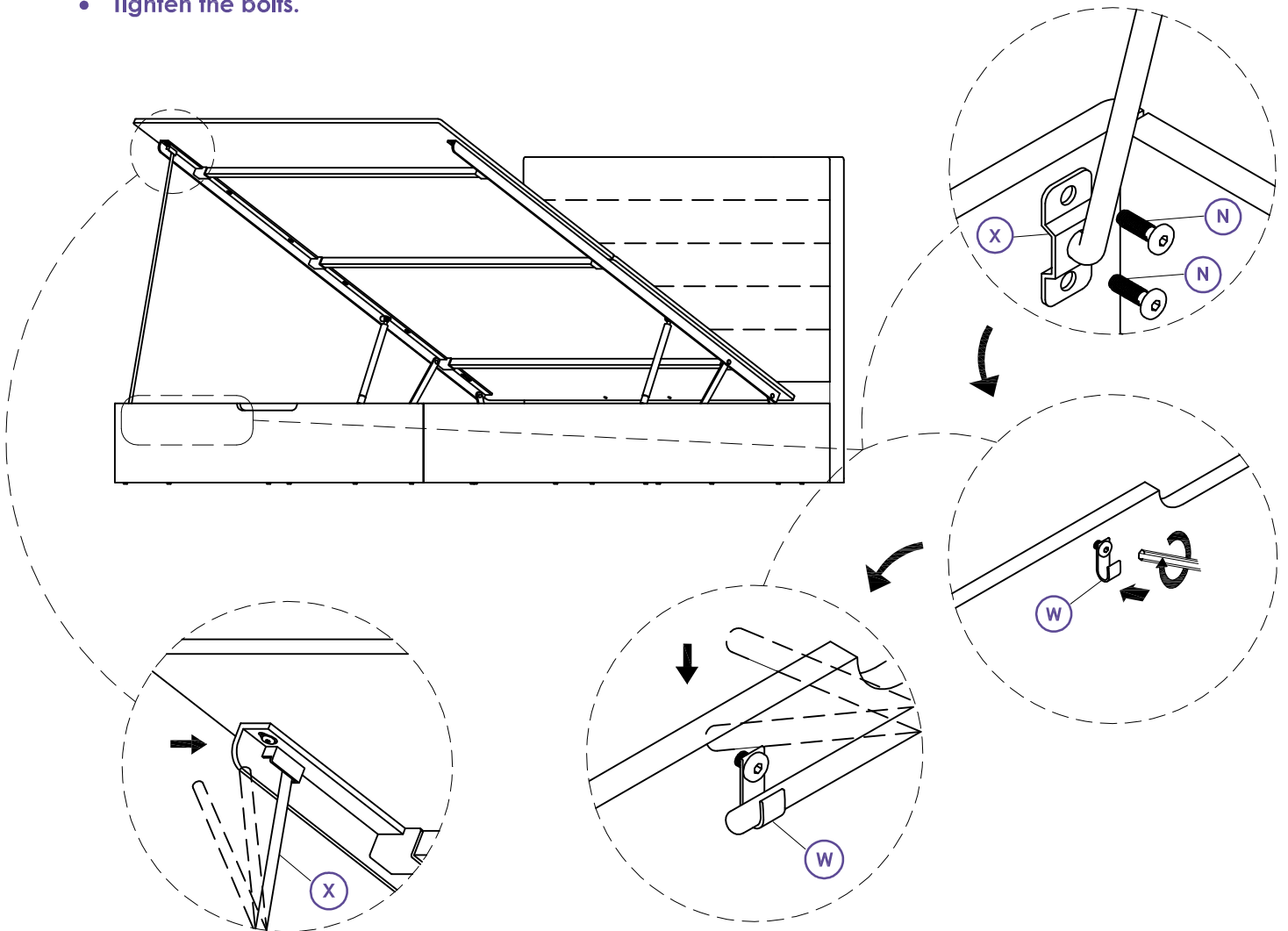
15

- Make sure the bed frame 4 side angles are at 90 degrees before you closing the lift base.



16

- Fix the Ottoman Support Bar (X) and Plastic Hook (W) to the footboard with bolt (N) as shown.
- Tighten the bolts.

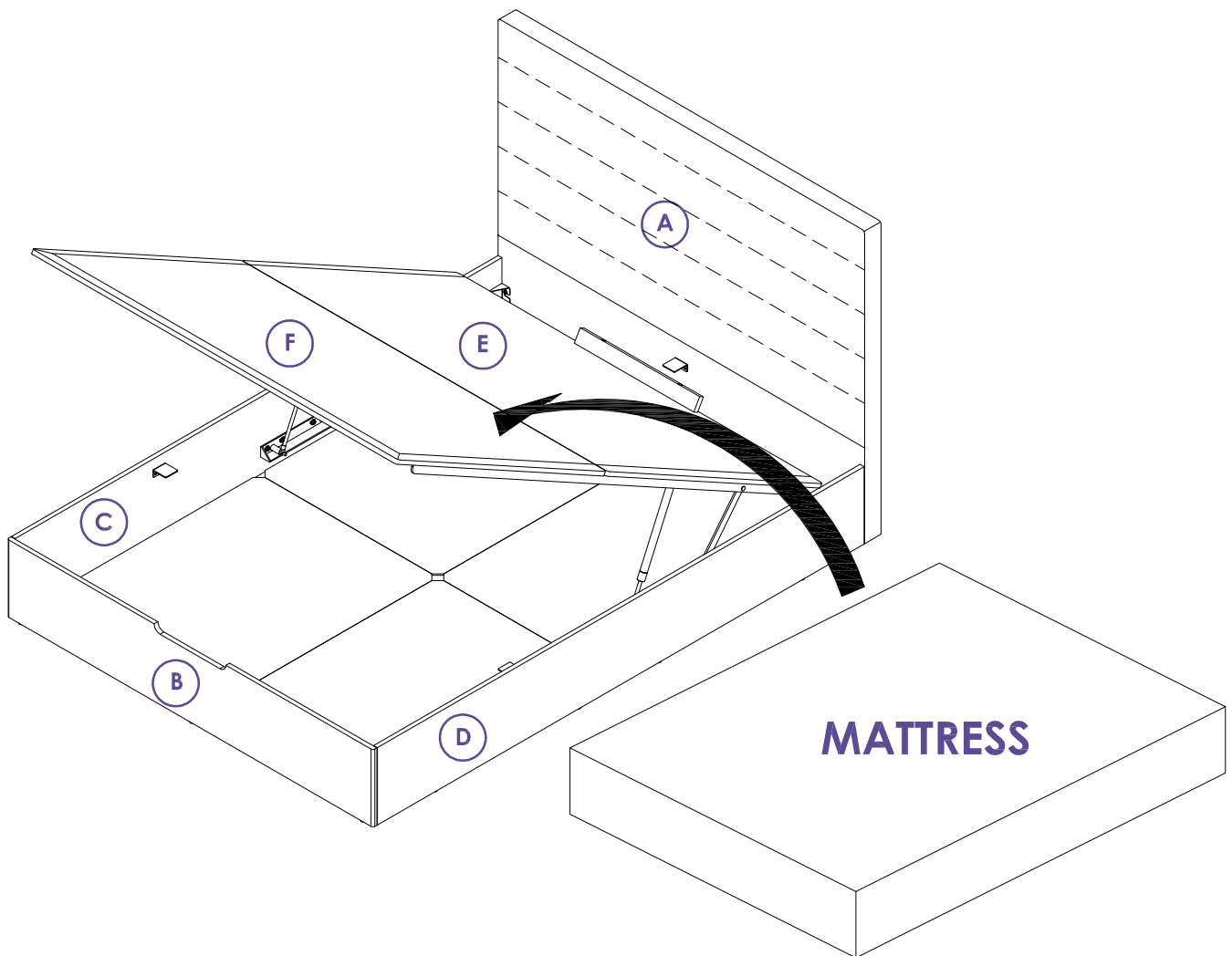


## HOW TO USE

1. WHEN ENGAGING THE OTTOMAN SUPPORT BAR, ENSURE THE LIFT BASE IS RAISED TO THE MAXIMUM OPENING EXTENSION.
2. LOCATE THE OTTOMAN SUPPORT BAR FROM UNDER THE LIFT BASE AND GUIDE THE SUPPORT BAR INTO THE BAR SLOT FIXED TO THE BED FRAME.
3. BEFORE CLOSE THE LIFT UP BASE, CAREFULLY HOLD THE LIFT UP BASE AND GUIDE THE SUPPORT BAR BACK INTO THE HOOK PROVIDED.
4. SLOWLY CLOSE THE LIFT UP BASE.

17

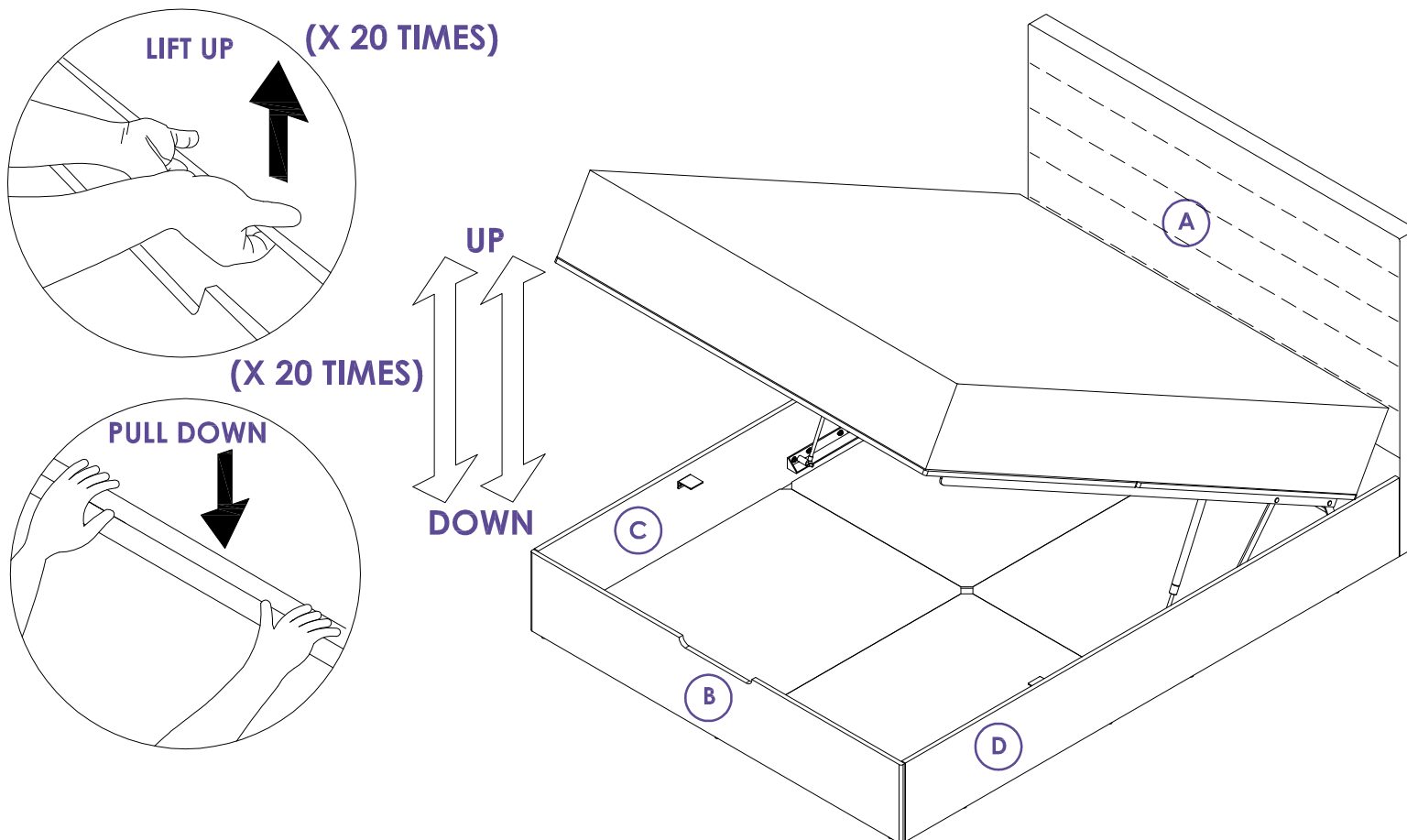
- Put the mattress on the bed as shown.



**18**

The mattress must be fitted to the base. (do not operate the lift up mechanism without the mattress fitted to the base.)

Lift up and down the lift up base with mattress at least 20 times before use.



**PLEASE READ THE FOLLOWING INSTRUCTIONS.**

- 1. KEEP AWAY FROM DIRECT SUNLIGHT TO AVOID DISCOLORATION.**
- 2. DO NOT DRAG THE BED ACROSS THE FLOOR WHEN POSITIONING OR MOVING WHILST CLEANING.**
- 3. WIPE CLEAN WITH A DAMP CLOTH.**
- 4. TIGHTEN ALL SCREW AT REGULAR INTERVALS, TO AVOID DAMAGE TO THE FRAME.**
- 5. ENJOY YOUR PRODUCT.**

# Care and maintenance

Here are some tips to keep your new bed in tip-top condition



## Cleaning

To clean your new bed, we'd advise using a warm damp cloth - please do not use abrasive chemicals or bleach as this may damage the product.



## Checking and moving

Periodically we recommend you check that the screws or fixtures haven't become loose, over time. To move your new bed, we recommend lifting it where possible, as dragging or pushing it could cause damage to your flooring.



## Wood

Please note each of our wooden pieces are unique, meaning that markings and shade can vary slightly between beds. Over a period of time, the wood might lighten or fade slightly due to light exposure.



## Fabric

Please note depending on the lighting, positioning and surroundings of your room, the shade of the colour can sometimes appear slightly different. Over a period of time, the colour might lighten or fade slightly due to light exposure.



## Metal

Metal tends to be more resilient to everyday wear and tear. We recommend to gently dust your metal furniture and keep it dry to maintain its look.

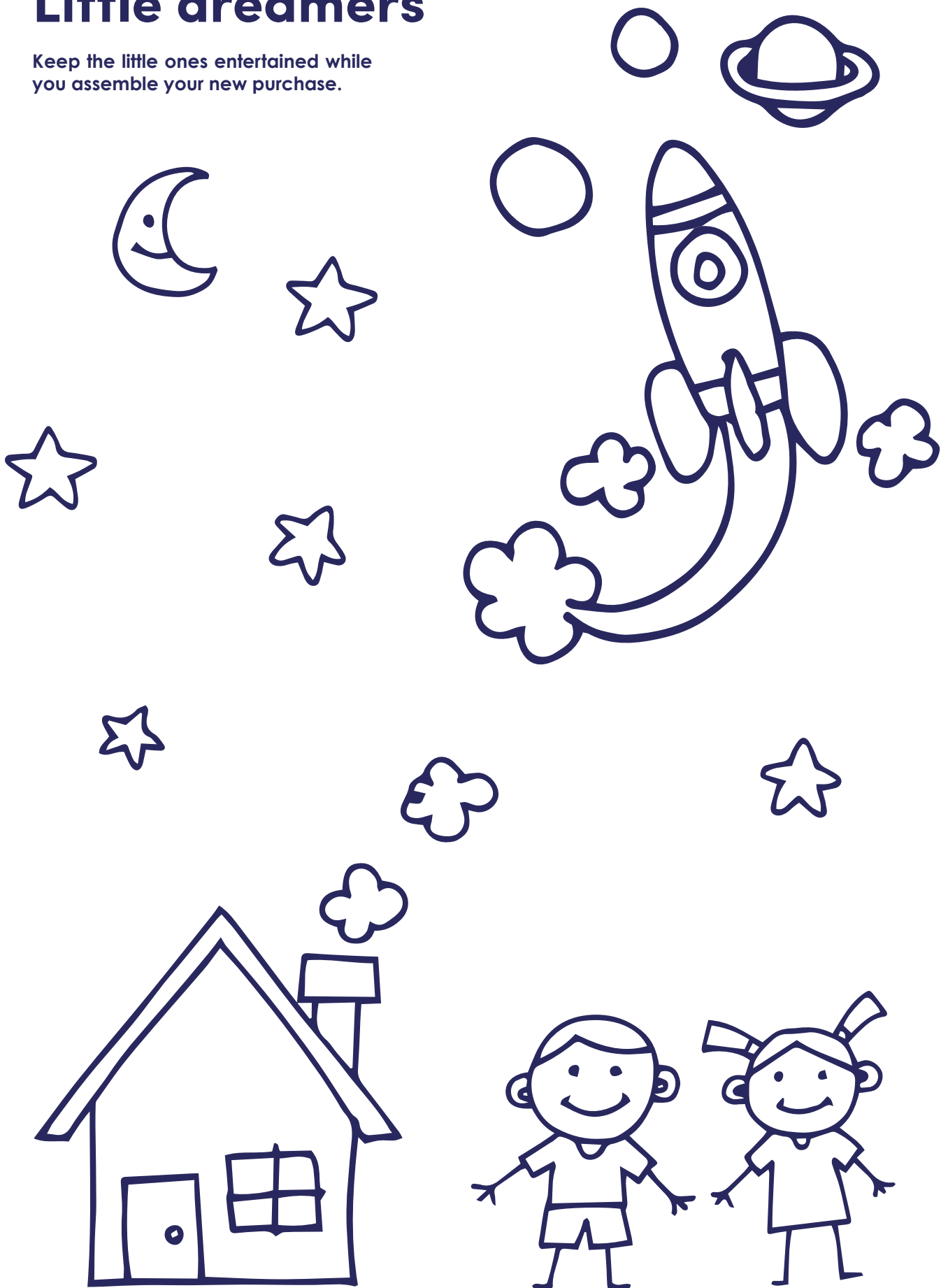
Thank you for shopping with us - we hope you have a great night's sleep

*Sleep well*



# Little dreamers

Keep the little ones entertained while you assemble your new purchase.





# **Dreams**