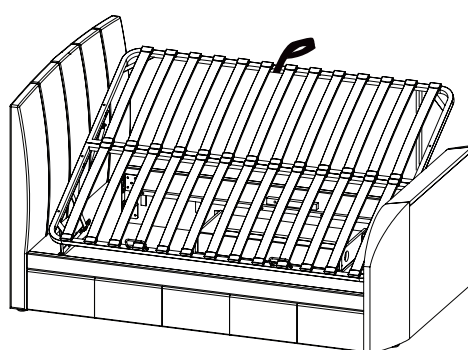
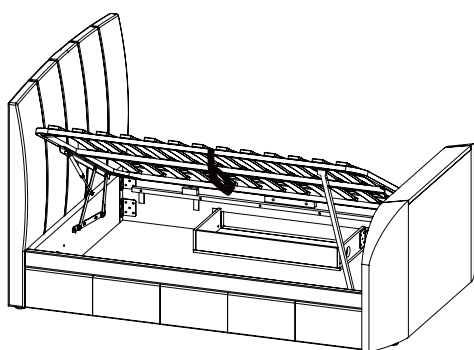
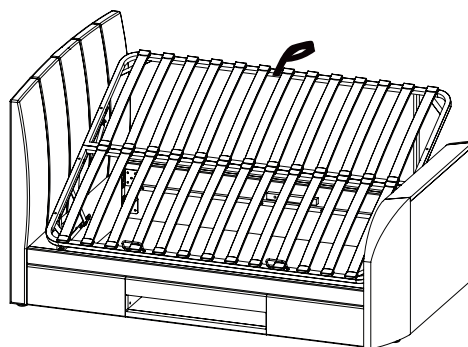
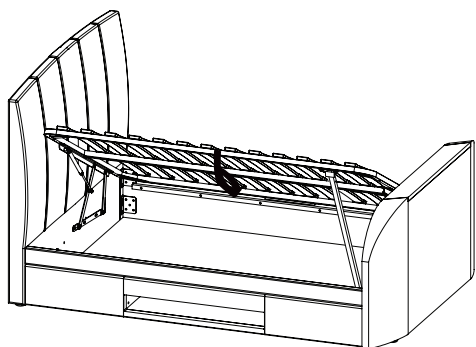


SEOUL TV BED

OTTOMAN UPGRADE



WHEN THE OTTOMAN UPGRADE IS SELECTED - PLEASE USE THIS AI -- IGNORE THE STANDARD BED AI IN PACK 3

IMPORTANT OTTOMAN SAFETY WARNINGS

- **IMPORTANT - READ CAREFULLY - RETAIN FOR FUTURE REFERENCE**
- **You must ensure that the mattress is on the bed frame before operating the lift mechanism - Failure to do so could result in injury.**
- **Keep hands clear of the mechanism when opening or closing the ottoman.**
- **Beware of entrapment - Never reach in through the mechanism to access the storage area.**
- **Always ensure that the ottoman is FULLY opened before accessing the storage area.**
- **Do not exceed the maximum weight as specified in the table below:**

Bed	Bed Size	Min Weight (kg)	Max Weight (kg)
Seoul	Double	20	50
	King	20	50



1.5 hour approx
assembly time



Two person
assembly

Dreams

IMPORTANT OTTOMAN SAFETY WARNINGS Cont.



Don't lift without mattress

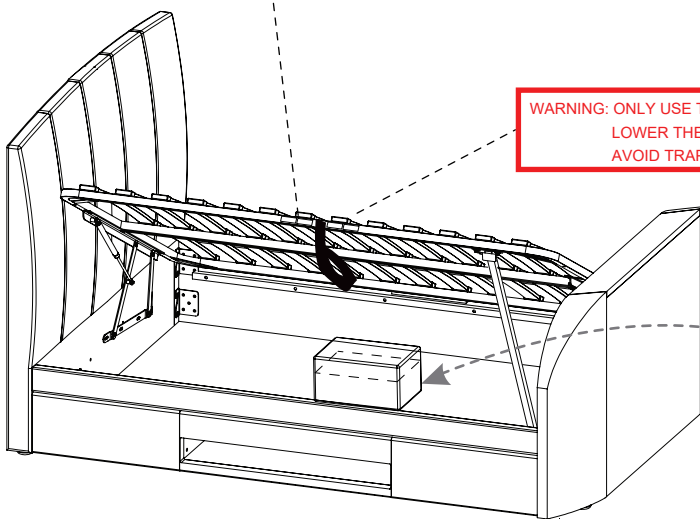


Ensure mattress is on before lifting

- Use caution when operating, always use the handle when lifting.
- Note: This bed uses a pressurised mechanism.
- To be operated by adults only.
- Please ensure that children and pets are kept away from the bed when operating the lift mechanism.
- Keep children and pets away from the storage area.
- Do not overload the internal storage base.
- Do not stand inside the internal storage area of the bed.
- Before removing the mattress secure the frame to ensure it does not open unexpectedly.
- Do not attempt to lie on the mattress when the ottoman is in the raised position.
- When lifting the ottoman, remove all bedding except the fitted sheet.

SAFETY WARNING
PLEASE DO NOT ALLOW CHILDREN OR PETS INSIDE THE STORAGE AREA.

SAFETY WARNING
PLEASE BE CAREFUL WHEN LIFTING. ONLY LIFT WITH MATTRESS ON TOP. TO BE OPERATED BY ADULTS ONLY.



WARNING: ONLY USE THE HANDLE TO LIFT & LOWER THE BED FRAME TO AVOID TRAPPING FINGERS!

TO AVOID ACCIDENTS
TO ACCESS THE STORAGE AREA THE OTTOMAN FRAME MUST BE FULLY OPENED AND THEN FULLY CLOSED AFTERWARDS

Note: Be very careful what you store under the bed - the top of an item, like a suitcase or a box, must not touch the slats or they shall be damaged. Maximum storage height is 260mm.

Ottoman Beds - Important Safety Features

Our aim is always to give you the best experience and to ensure every effort has been made to guarantee your comfort and safety. Please take time to look at these instructions as they will help remind you how to operate your ottoman bed safely.

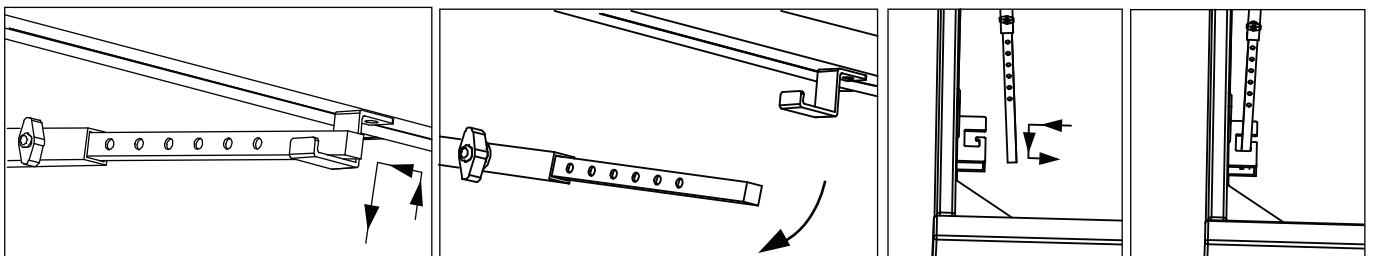
Here's a few things you need to remember;

- ✓ **Pistons are already assembled in their correct orientation - this improves piston performance and durability.**
- ✓ **"Break in" the piston seals on first use by raising & lowering the platform at least five times.**
- ✓ **Recommended mattress weights - do not exceed the maximum relevant weight specified on the Assembly Instruction.**
- ✓ **Ottoman support bar - always engage the support bar when accessing the ottoman storage area.**

Read all the instructions before using your Ottoman bed-frame and save the instruction booklet for future reference.

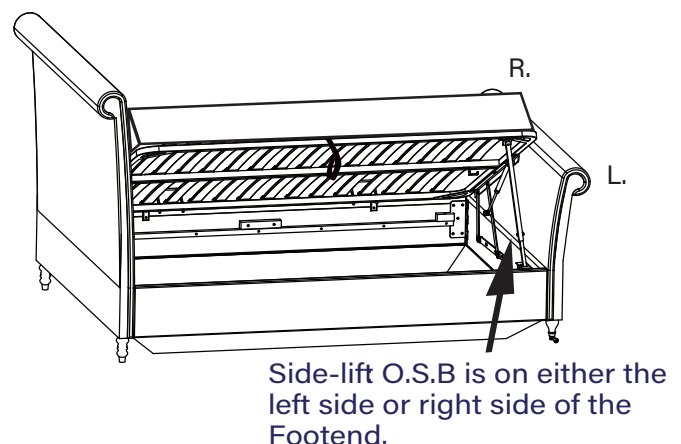
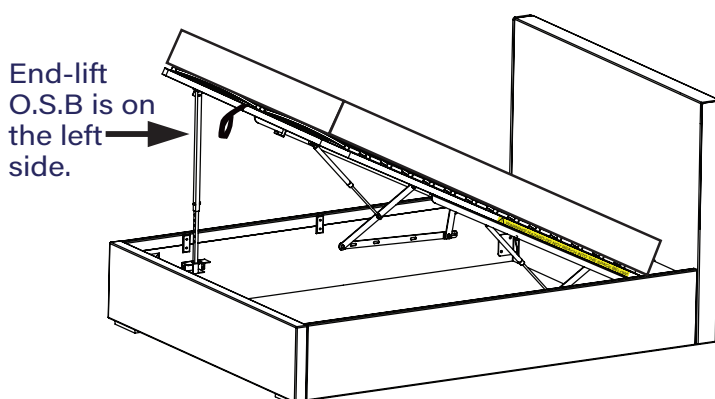
Ottoman Support Bar (O.S.B.)

For optimal safety during operation, always ensure the O.S.B. is engaged when accessing the ottoman storage area.



1. Always raise the ottoman slat-frame to its highest position before using the storage area.
Locate the end of the O.S.B and insert into the fixed retaining bracket on the bed frame.
2. When you are ready to lower the ottoman platform, return the O.S.B to its original parking position.
3. Always ensure that the O.S.B is in position when the ottoman is open, this prevents injury, or damage to the product.

Location of the O.S.B



WARNING! Risk of Entrapment

- The pistons on the ottoman bed frame can support a maximum load (evenly spread) as indicated in the Minimum and Maximum load table, on the first page in this Assembly Instruction.
- Overloading the sleeping platform may contribute to damage to the product resulting in potential serious injury.
- Do not sit on the mattress whilst the platform is in motion or is in the raised position.
- Users should only get in and out of bed when platform is in the flat (horizontal) position.

Thank You

Dear Customer, Thank you for choosing to purchase your bed from Dreams - we hope it brings you your best ever night's sleep. Before you begin building your bed, please take a moment to read through the instructions and make sure that you've got all the relevant parts listed on the following pages.



Assembly tips

Before you begin, it's best to identify all parts and fittings to build your bed. We advise laying these out on the floor to check you have everything, and familiarising yourself before building.



Top tip

We recommend that you build your new bed in the room you'd like it to be located - this will help prevent any risk of damage to your newly built bed whilst moving it.



Safety and care

It's really important to ensure children and animals are kept away from the assembly area, as there are small components used in this bed which could present a choking hazard. All plastic and wrapping materials should also be kept away from children and animals to prevent any risk of suffocation. To keep your little ones busy, there is a colouring page inside the back cover.



Help and support

At Dreams, it's our mission to give the whole nation a great night's sleep - this means that the quality of our products is of utmost importance to us. If there are any issues with your product or any missing parts, please contact our Help Centre on 0800 652 6750, where a member of our team will be happy to help. (For customers based in Northern Ireland, please call 028 9050 8300)



Recycling

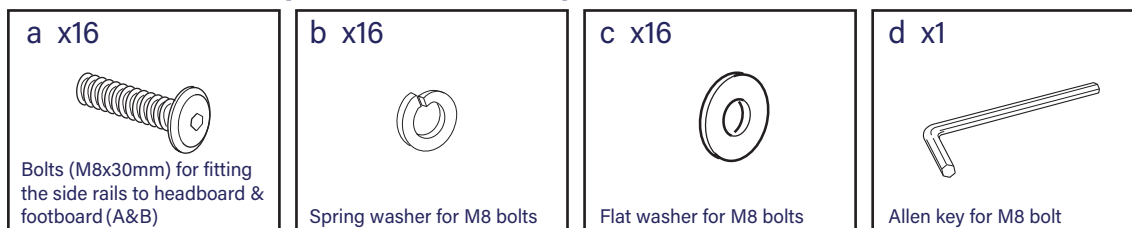
Please ensure that packaging is disposed of in a safe and environmentally friendly way, and recycle where possible. Our assembly instructions are printed on recycled paper. Please keep your assembly instructions safe to refer back to in the future.

Fittings

Please check you have all the parts listed below with your product:

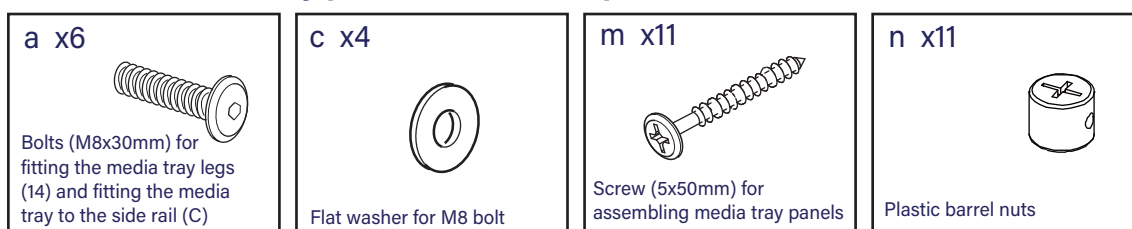
Hardware needed for fitting the side rails to headboard & footboard

Packed in side rail pack 3 - hardware pack (A)



Hardware needed for assembling and fitting the media tray to side rail (C)

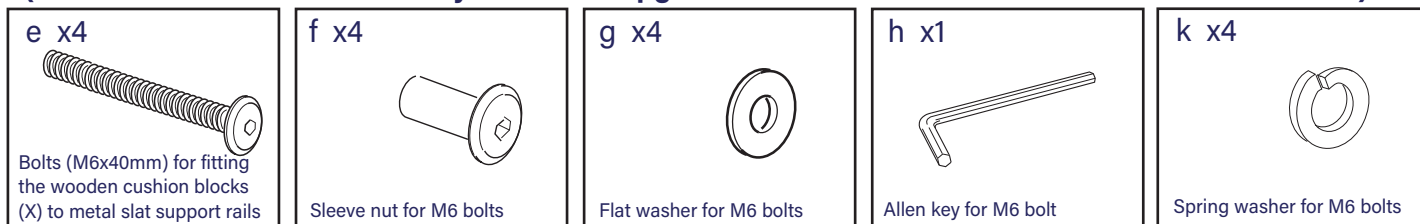
Packed in media tray pack 4 - hardware pack (B)



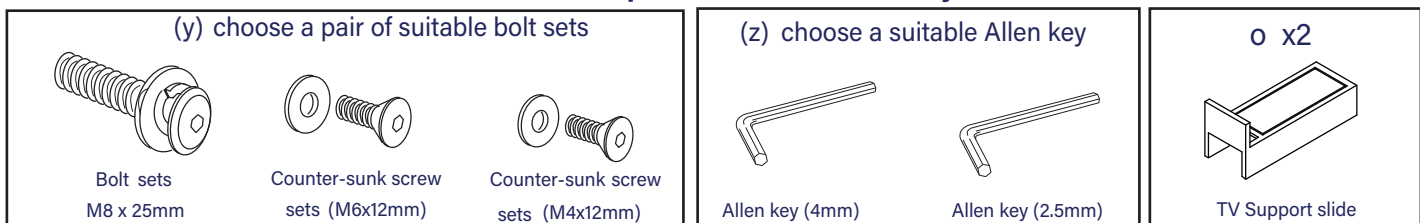
These parts are needed when fitting the four cushion blocks (X) in Step 1.

Packed in the side rail pack 3 - hardware pack (C).

(Note: This hardware is normally used to fit upgraded slat frame or solid slats on the standard bed).

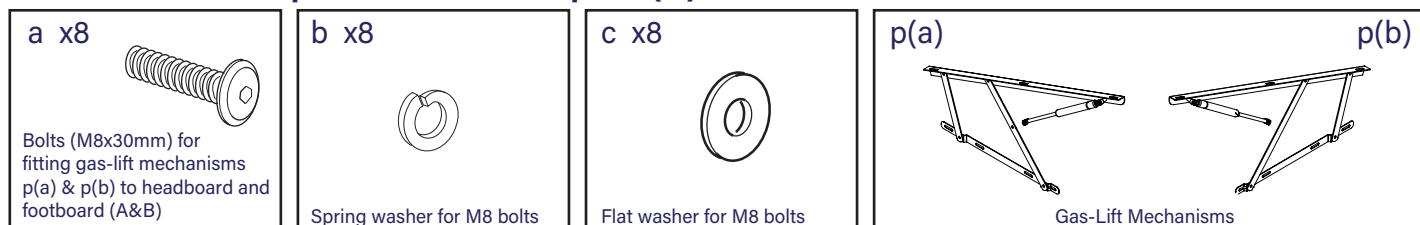


Hardware needed for installation of the TV is packed in the accessory box, in footboard Pack 2



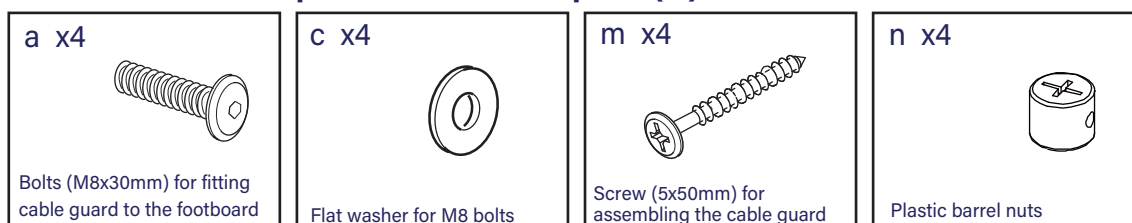
Hardware needed for fixing gas lift mechanisms (p) to headboard & footboard

Packed in ottoman pack 5 - hardware pack (D)



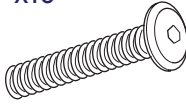
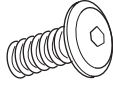

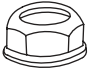

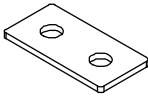


Hardware needed for assembling and fitting cable guard (3)



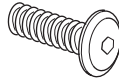
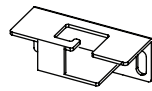
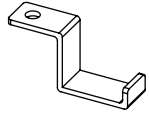

Packed in ottoman pack 5 - hardware pack (D)



**Hardware needed for fitting the metal slat frame (G)
Packed in the ottoman upgrade option - pack 5 - hardware pack (D)**

<p>b x10</p>  <p>Spring washer for M8 bolts</p>	<p>c x20</p>  <p>Flat washer for M8 bolts</p>	<p>q x10</p>  <p>Bolts (M8x45mm) for fitting metal slat frame (G) to gas-lift mechanisms (p)</p>	<p>r x4</p>  <p>Bolts (M8x20mm) for fitting metal connection plates (v) to the slat frame (G)</p>	<p>s x6</p>  <p>Nut for M8 slat frame bolts</p>
<p>t x2</p>  <p>Flanged M8 lock-nuts for the gas-lift pistons</p>	<p>u x1</p>  <p>Spanner for M8 nuts</p>	<p>v x2</p>  <p>Metal connection plates</p>		

Hardware needed for fixing ottoman support bar (O.S.B) to the side rail Packed in the O.S.B. carton inside ottoman upgrade option - pack 5.

<p>b x5</p>  <p>Spring washer for M8 bolts</p>	<p>c x5</p>  <p>Flat washer for M8 bolts</p>	<p>w x5</p>  <p>Bolts (M8x20mm) for fitting ottoman O.S.B. system</p>	<p>AA x1</p>  <p>Fixed retaining bracket - side rail</p>	<p>AB x1</p>  <p>Parking bracket - slat frame</p>
<p>Z x1</p>  <p>Ottoman Support Bar</p>				

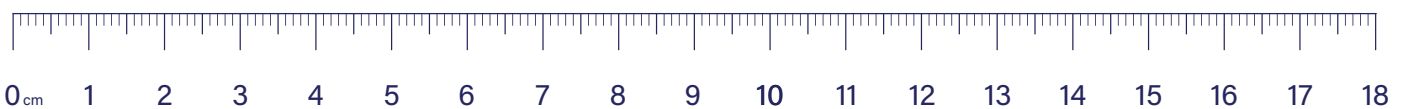
Tools required

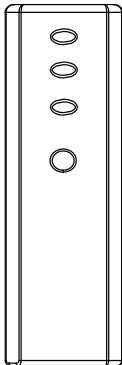
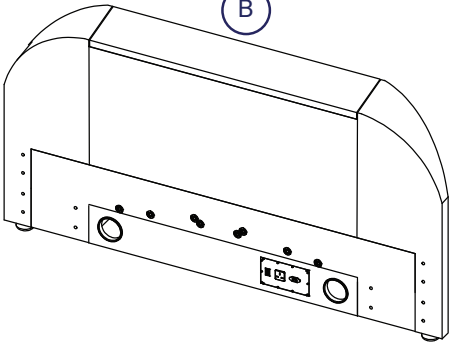
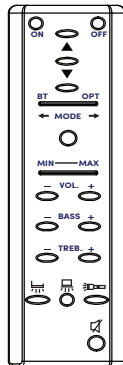
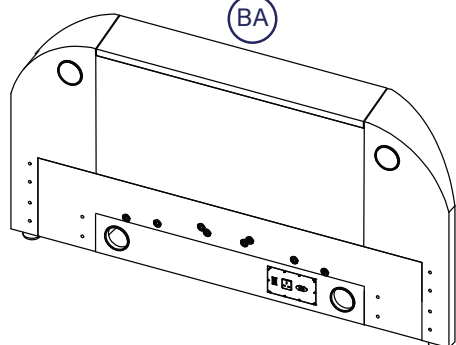


Tape measure

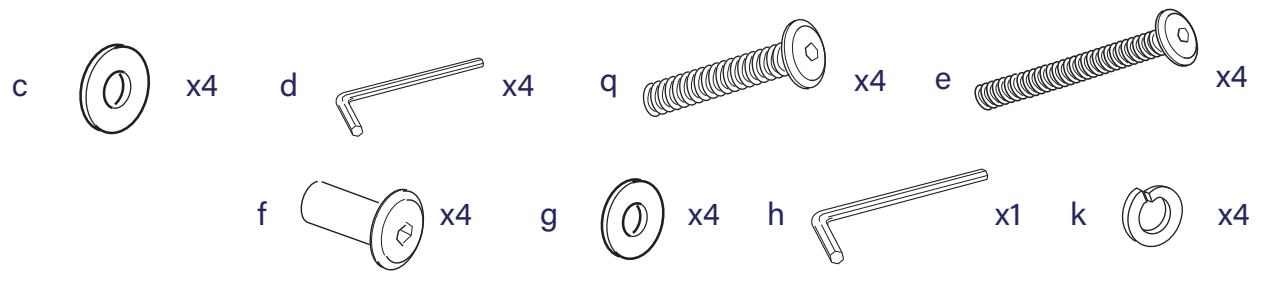


Cross head screwdriver

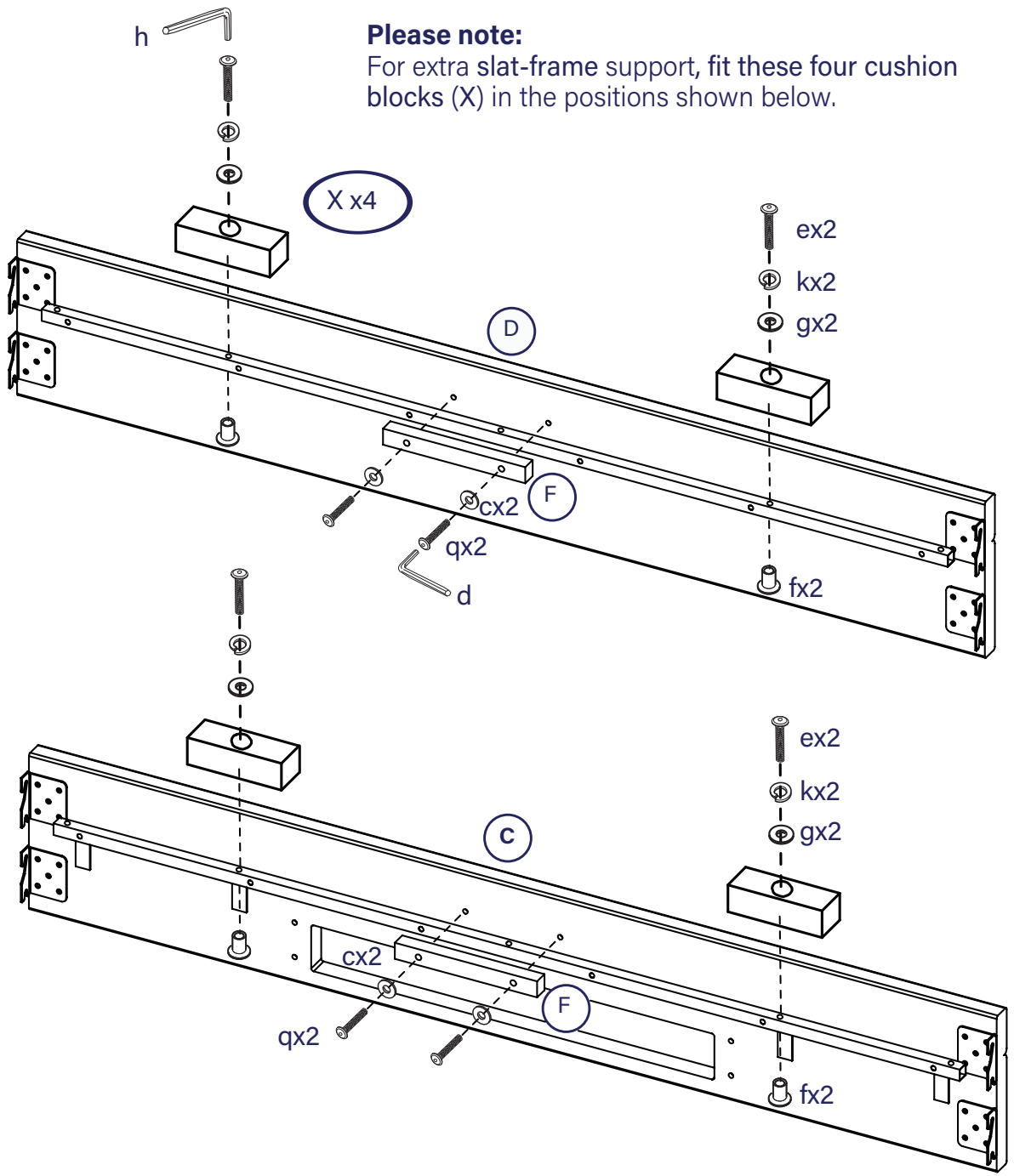


FOR NON-AUDIO VERSION		FOR AUDIO VERSION	
<p>TV Lift Remote Control</p>	<p>Standard Footboard</p>	<p>Audio/TV Lift Remote Control</p>	<p>Audio Footboard</p>
<p>(T)</p> 	<p>(B)</p> 	<p>(TA)</p> 	<p>(BA)</p> 

1 Prepare the bed for assembly - fit the cushion blocks (X) - use hardware pack 'C'.



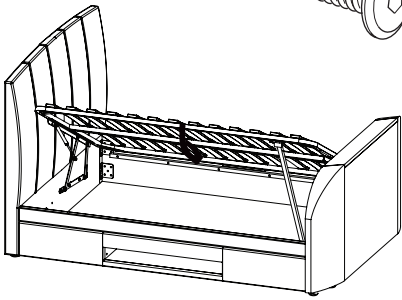
Please note:
For extra slat-frame support, fit these four cushion blocks (X) in the positions shown below.

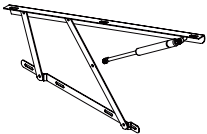
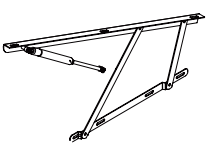


Prepare headboard & footboard choosing from which side to lift up the ottoman.

2a Follow these instructions if you want to lift the frame up from the LEFT side.

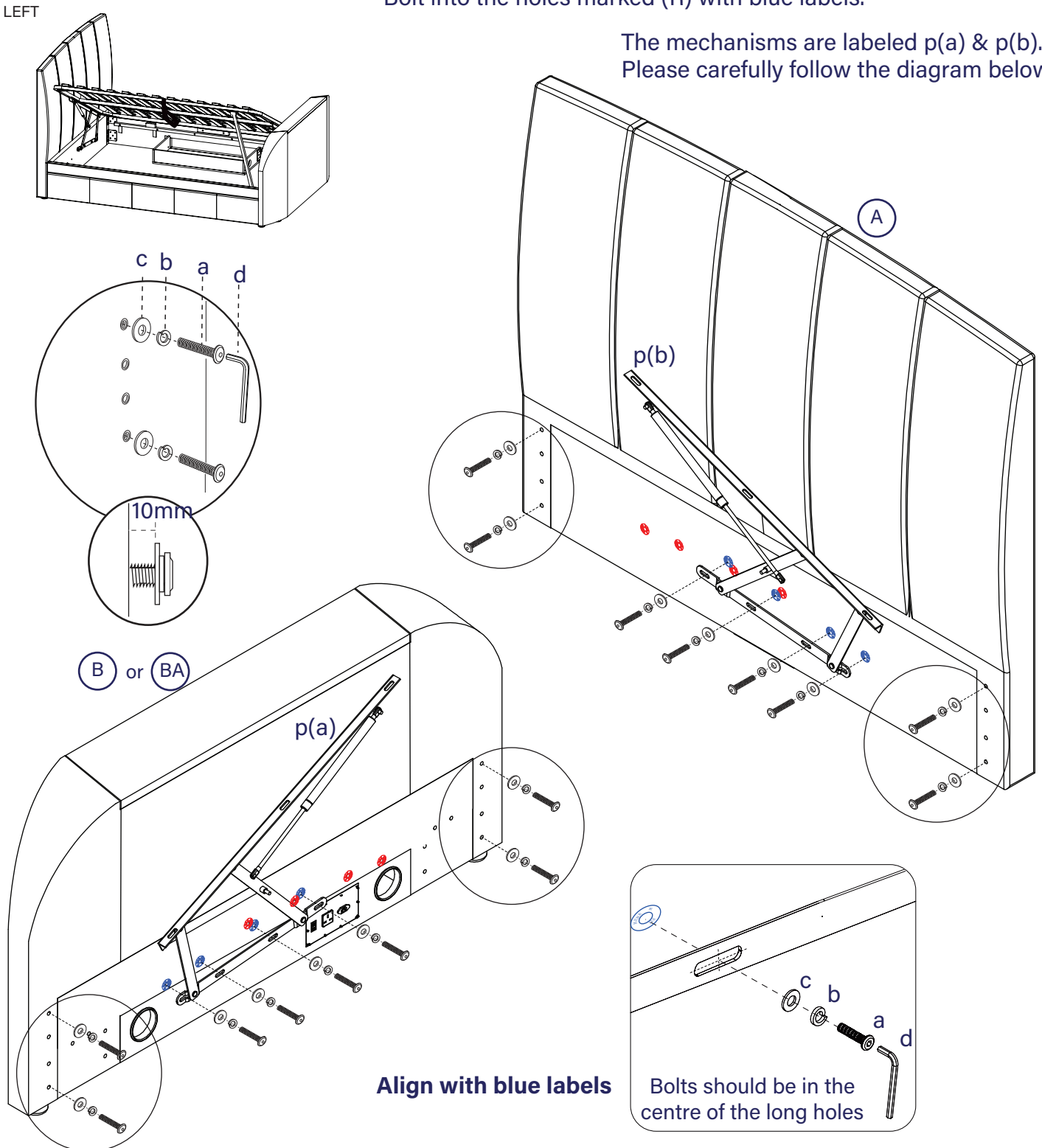
- a  x16
- b  x16
- c  x16
- d  x1



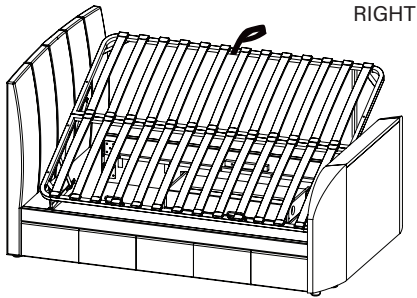
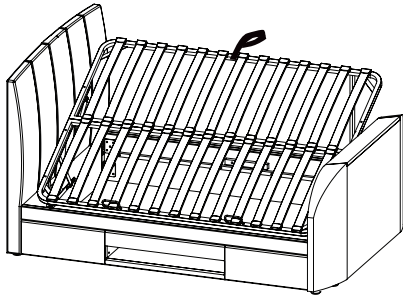
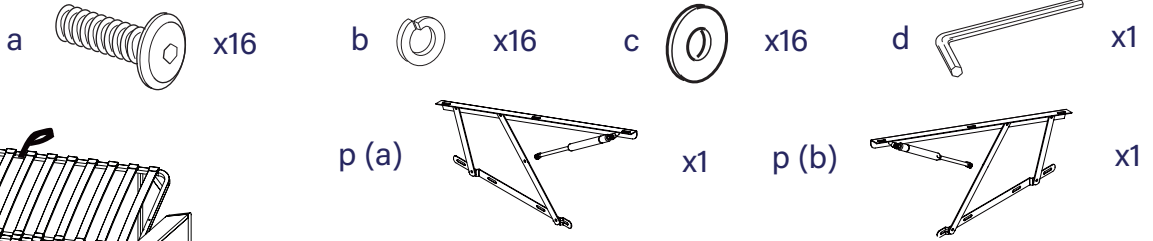
- p (a)  x1
- p (b)  x1

Check this diagram and if access is needed from the left side, fit both lift mechanisms to right side of the headboard & footboard. Bolt into the holes marked (R) with blue labels.

The mechanisms are labeled p(a) & p(b). Please carefully follow the diagram below.

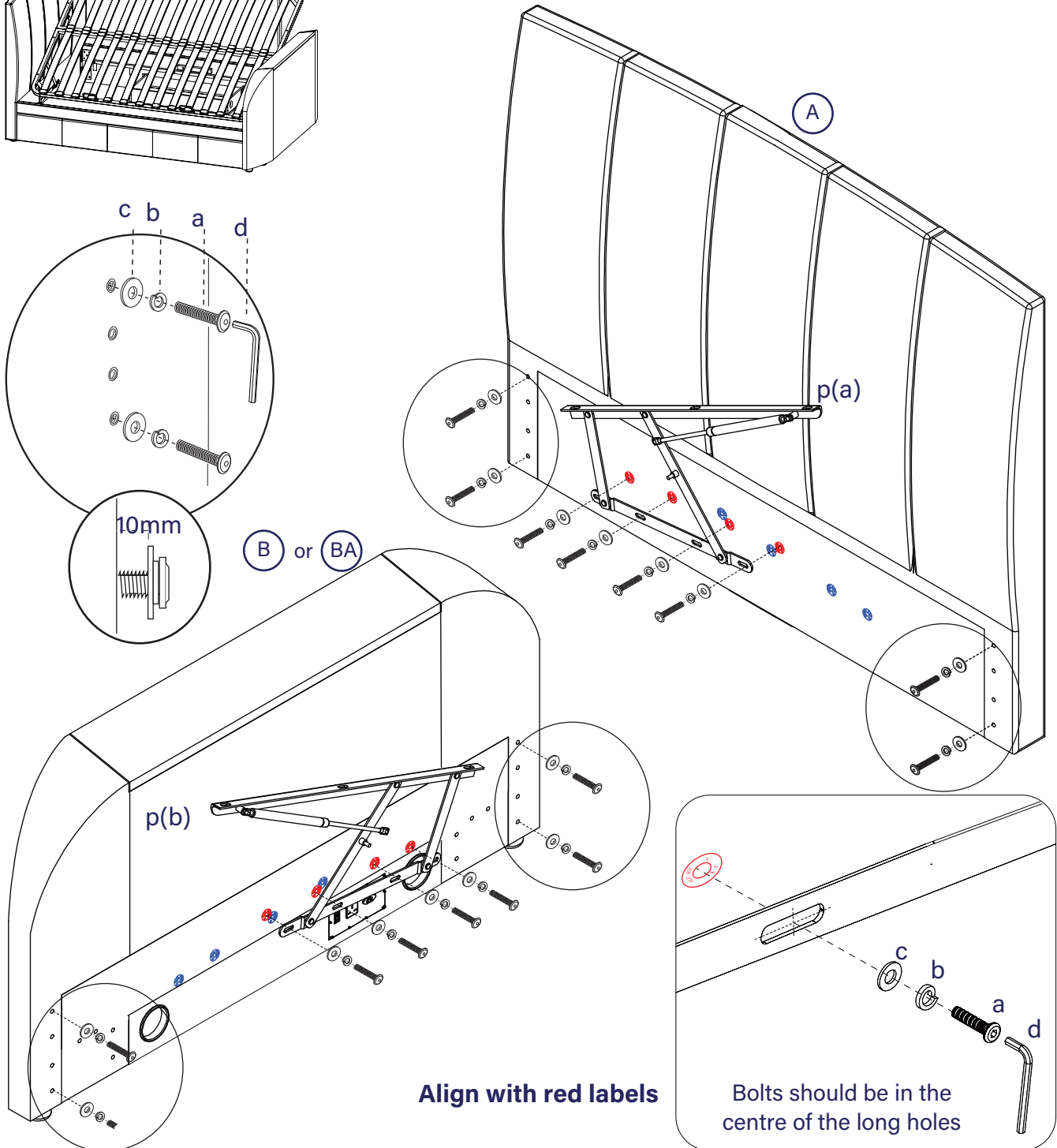


2b Follow these instructions if you want to lift the frame from the **RIGHT** side.

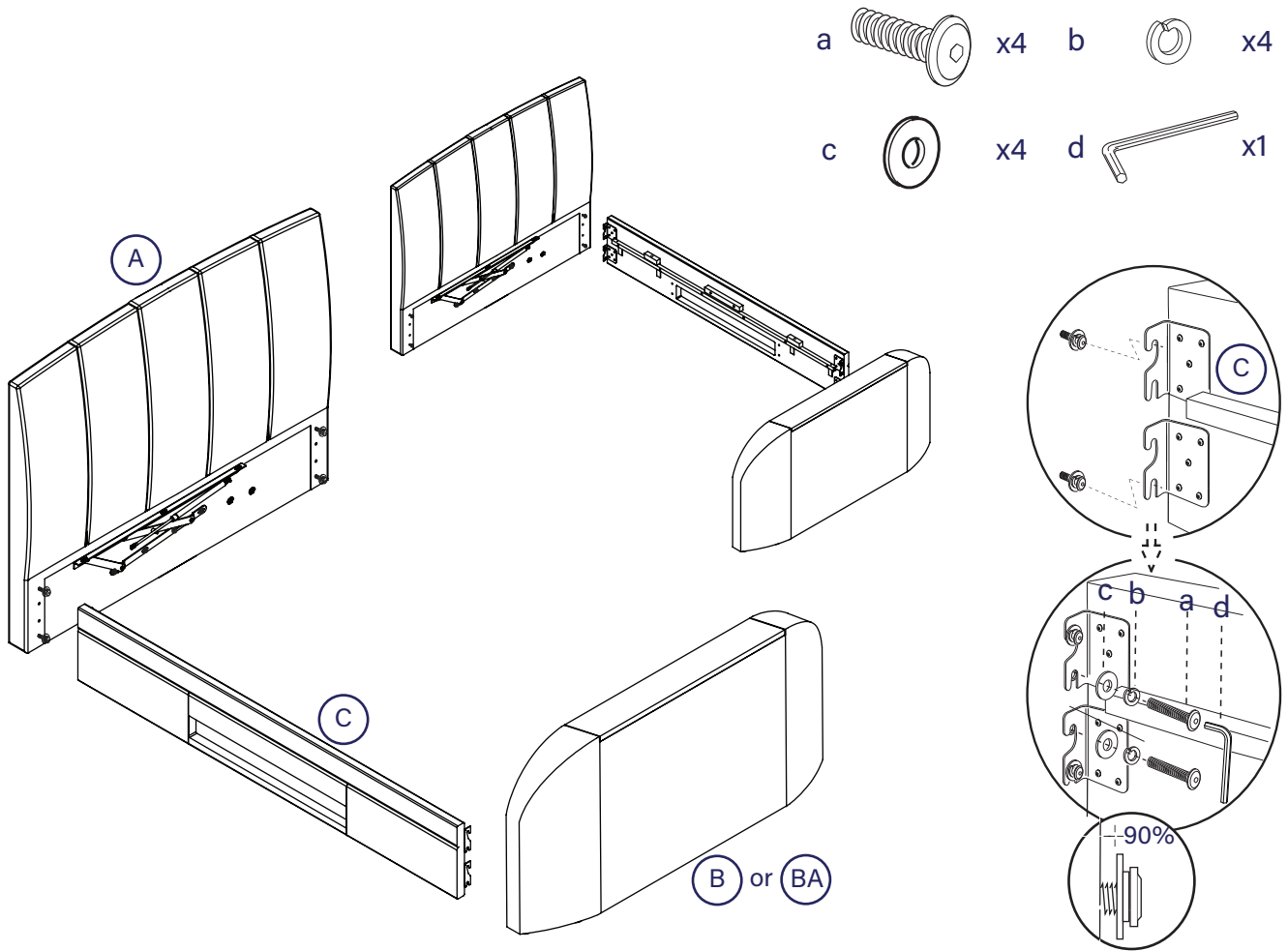


Check this diagram and if access is needed from right side, fit both lift mechanisms to left side of the headboard & footboard. Bolt into the holes marked (L) with red labels.

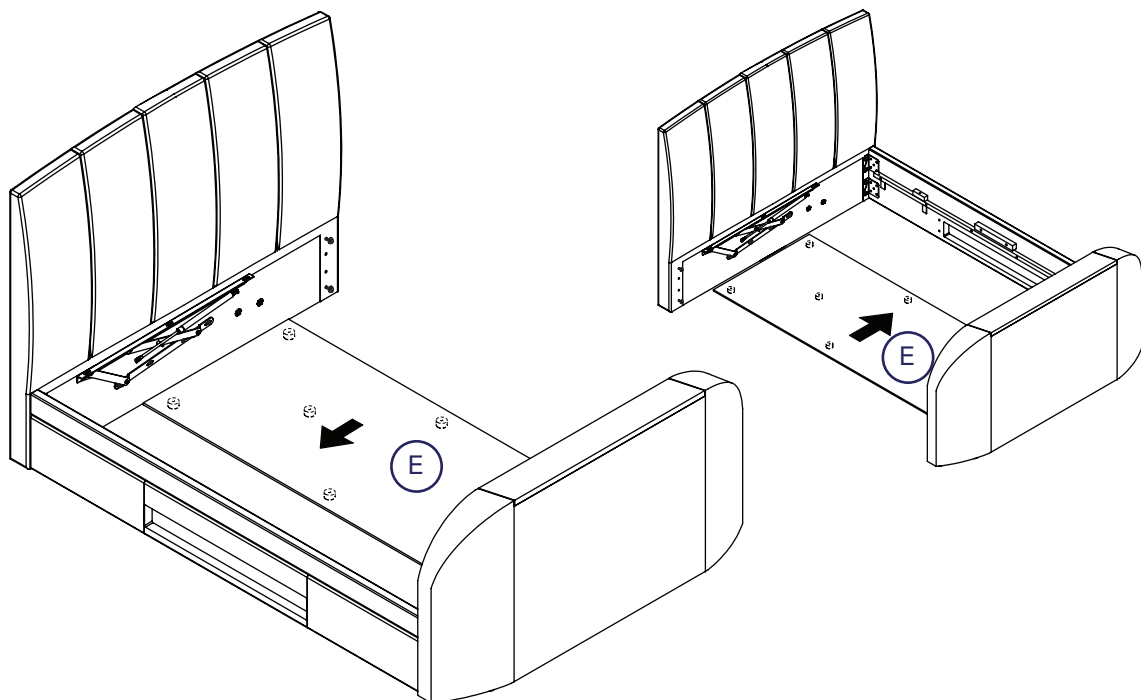
The mechanisms are labeled p(a) & p(b) please carefully follow the diagram below.



3 Fit media tray side rail (C) to left or right side of the bed.

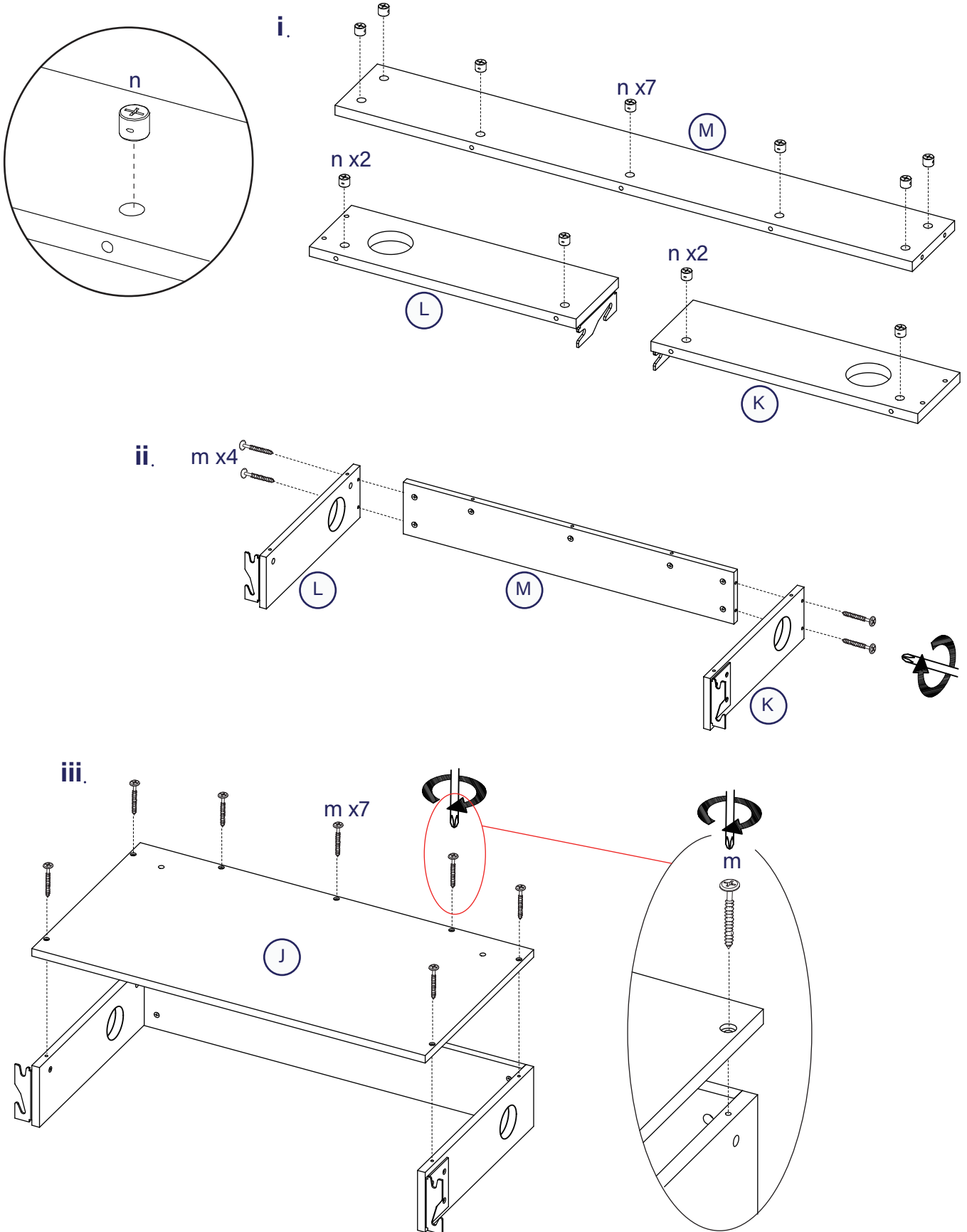


4 Next to the media tray side rail (C) slide in the first storage base board (E), plastic glides should be underneath.

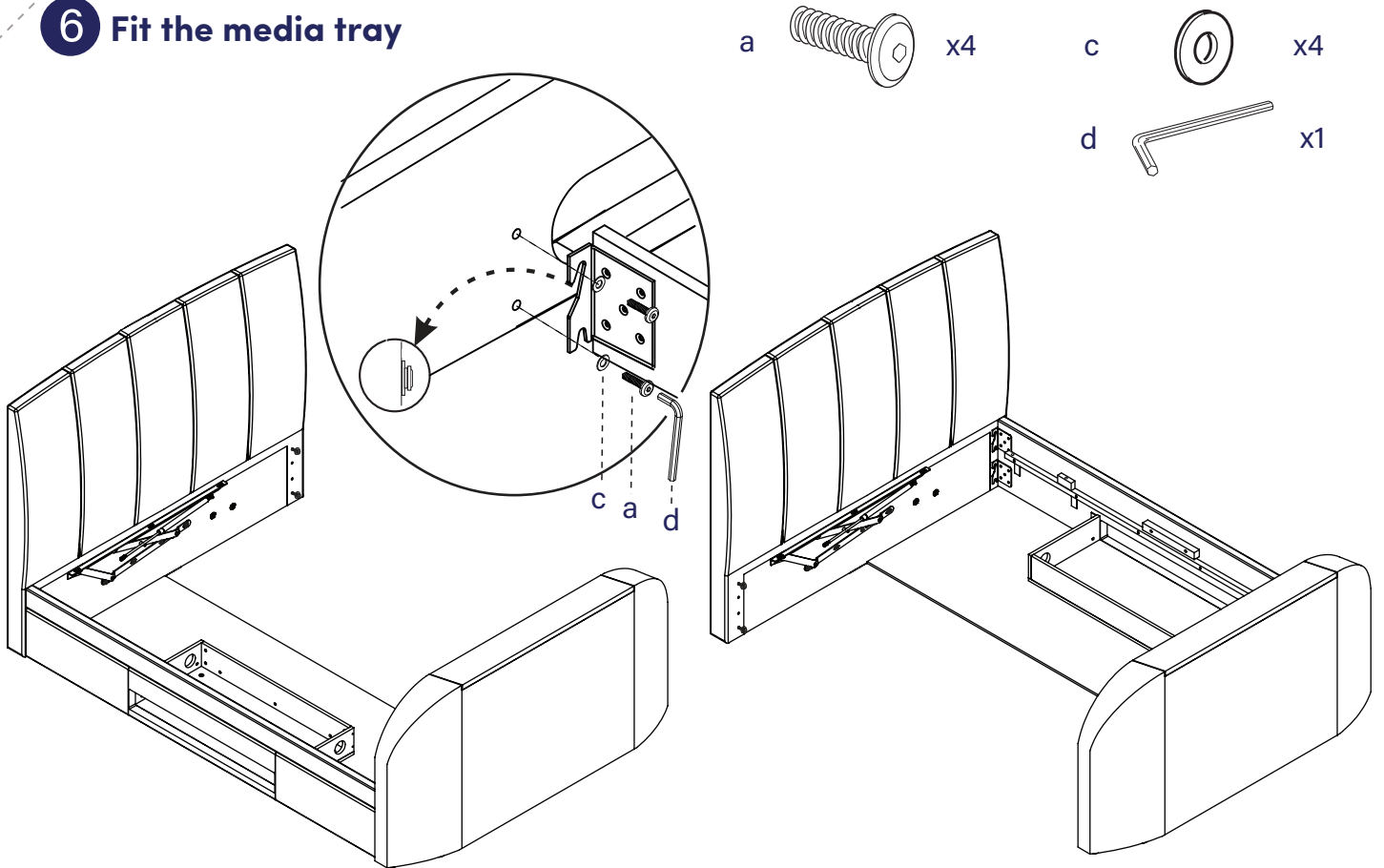


5 Assemble the media tray.

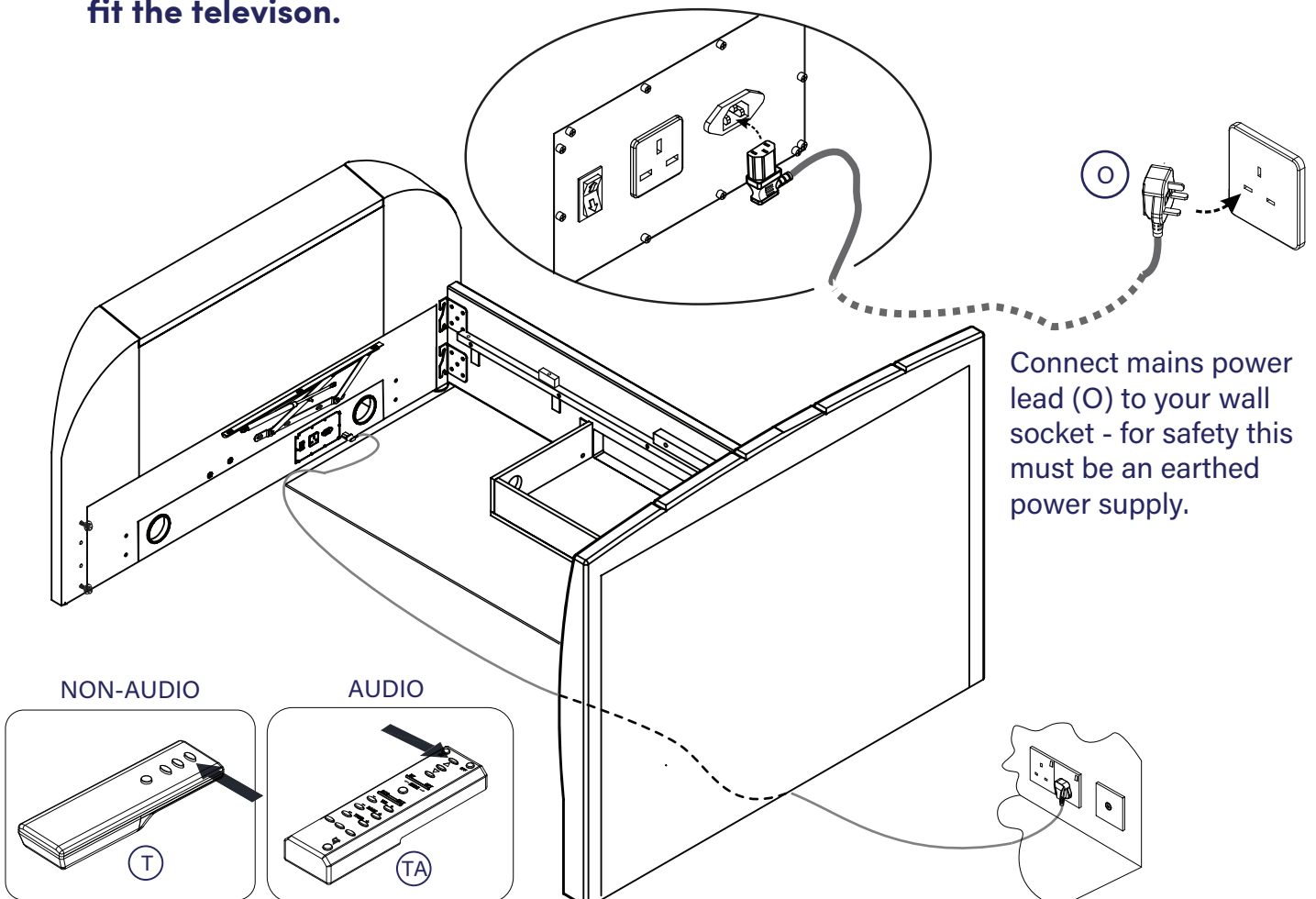
m  x11 n  x11



6 Fit the media tray



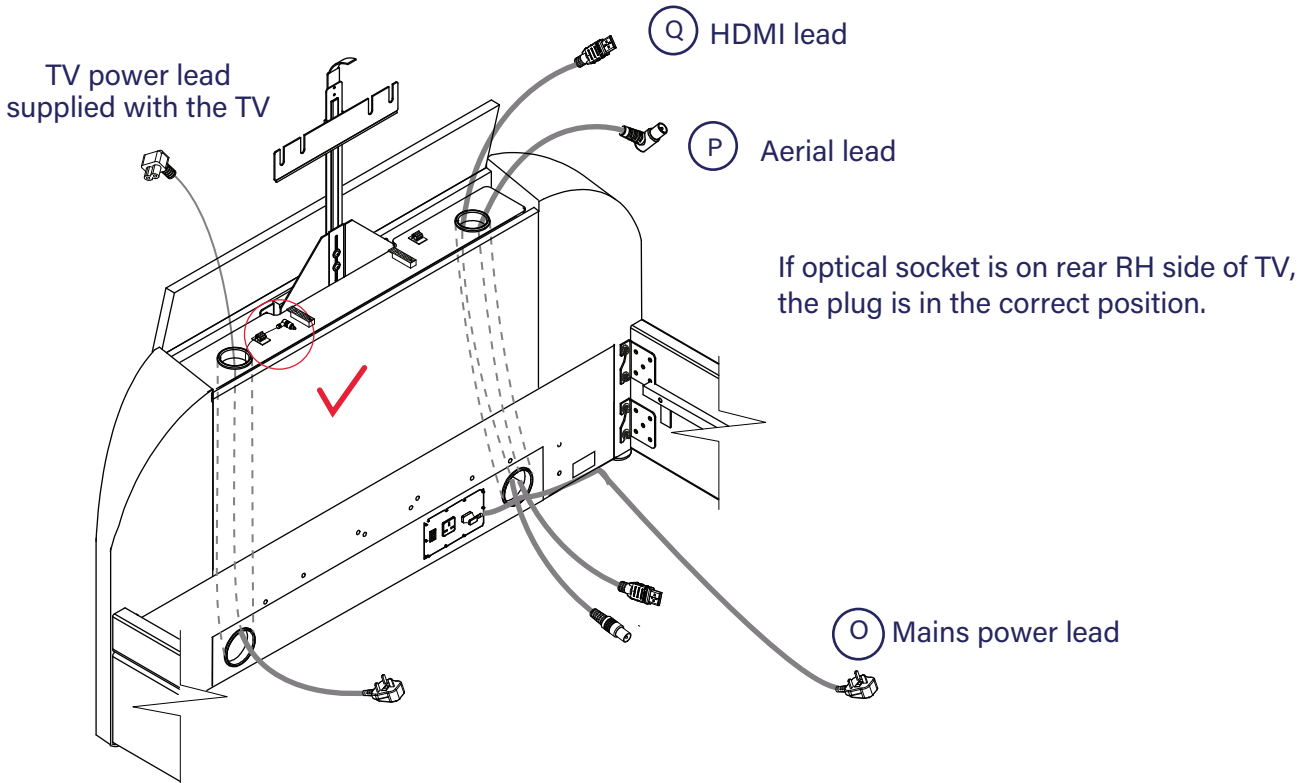
7 Connect the mains power supply, then raise the TV lift and prepare to fit the television.



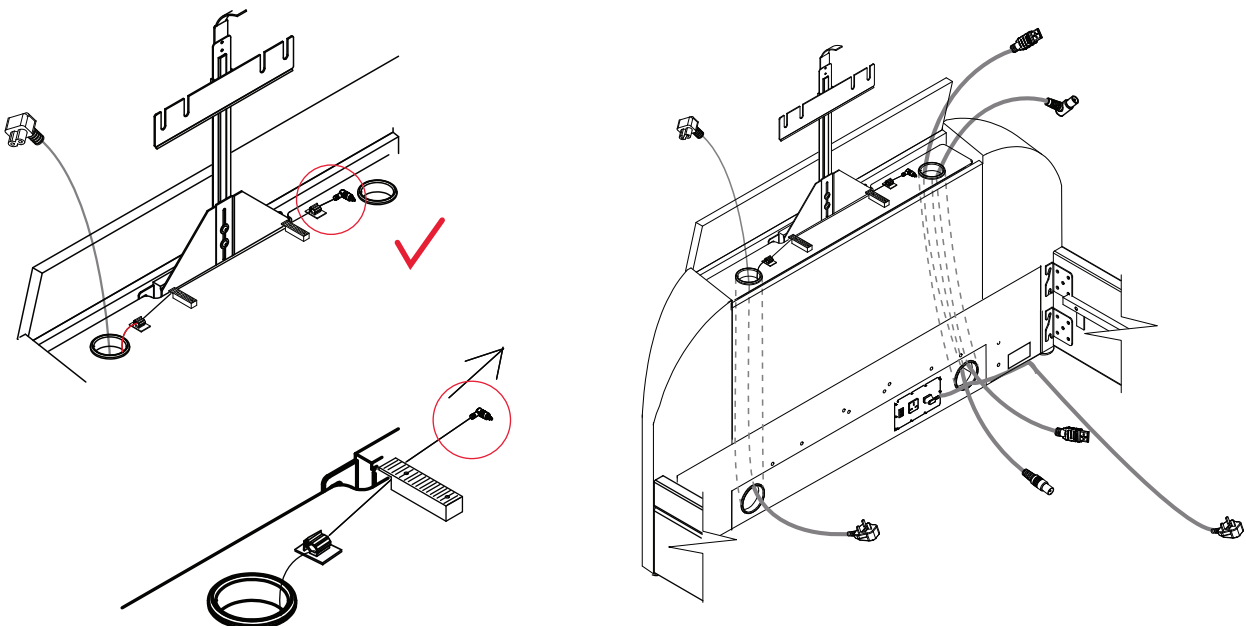
Press the "UP" button to raise the TV lift.

Note: For illustration purposes only, TV connections may vary.

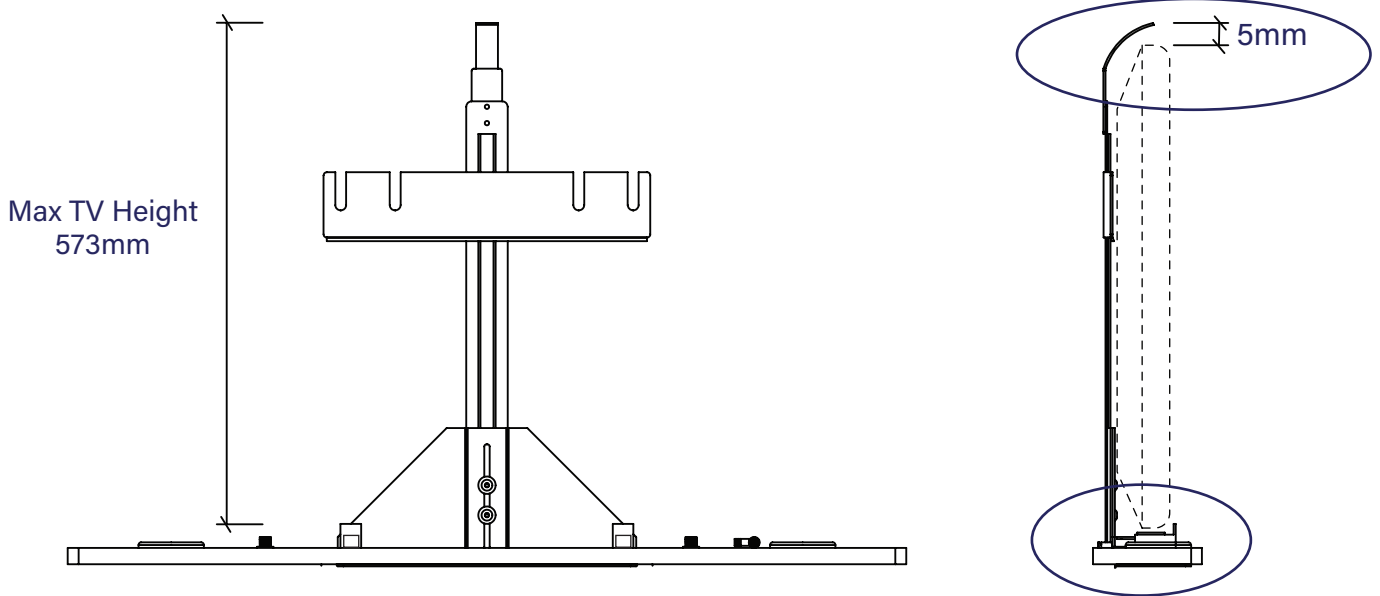
- Tip:**
- 8** Before fitting the TV, push cables through each duct from the top choosing the best side to use depending on where the connection ports are on back of the TV. Never cross cables from one side to the other unless as shown in the instruction, in this Step.



If optical socket is on rear LH side of TV, draw the loose cable out of the port and lay across TV Lift cover board as shown. Use cable clip (R) on each side to keep cable straight and out of harms way.

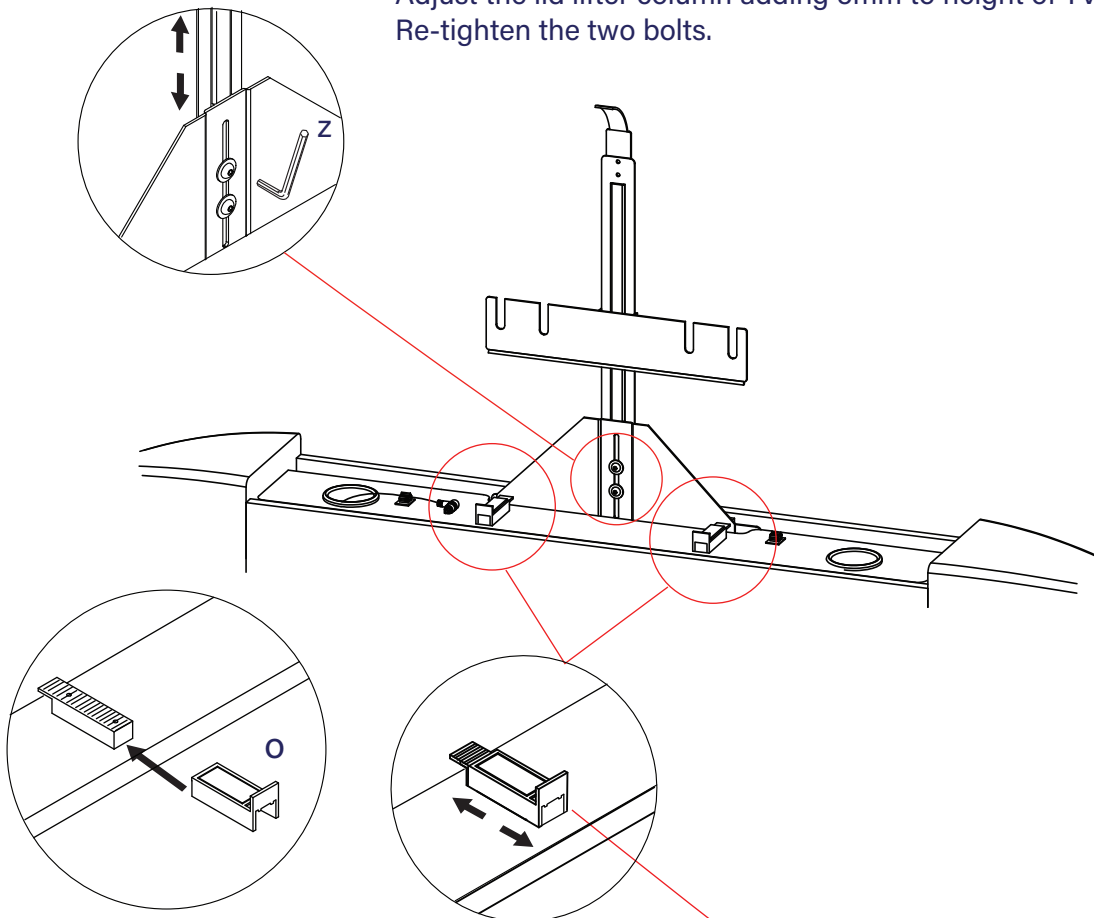


9 Height of TV is normally pre-set - follow this guide if it needs to be changed.



i) Loosen the two bolts.

Measure the height of the TV,
Adjust the lid lifter column adding 5mm to height of TV.
Re-tighten the two bolts.



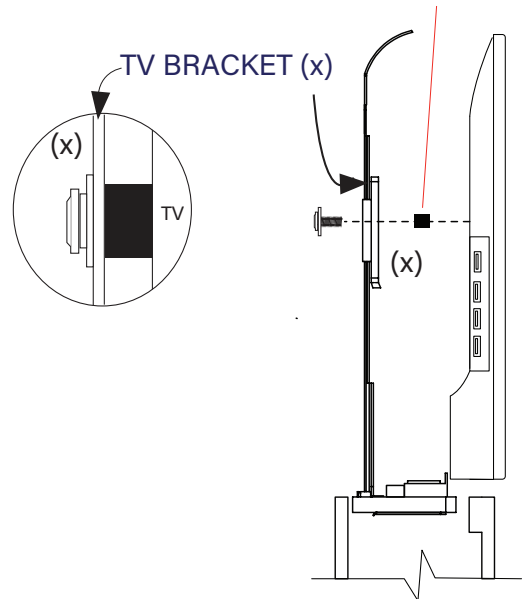
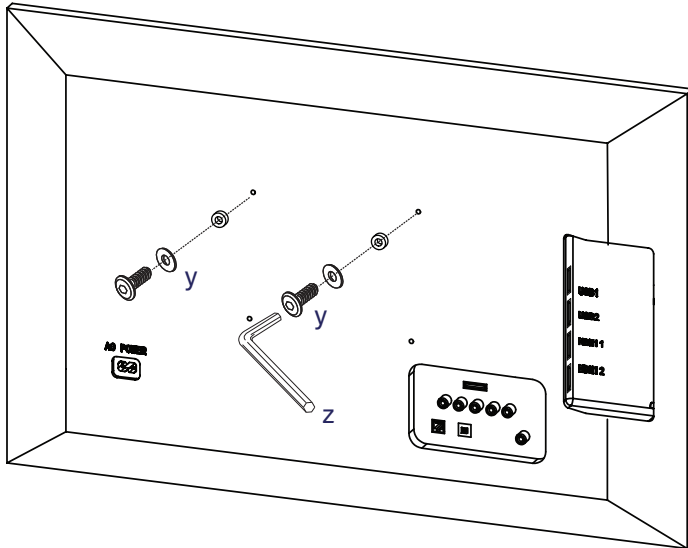
ii) The upper part of each TV support (o) slides to hold front of TV in place.
Please follow the instructions on how to correctly set these supports in Step 10.

IF HARDWARE IS SUPPLIED WITH THE TV, PLEASE USE IT IN PREFERENCE

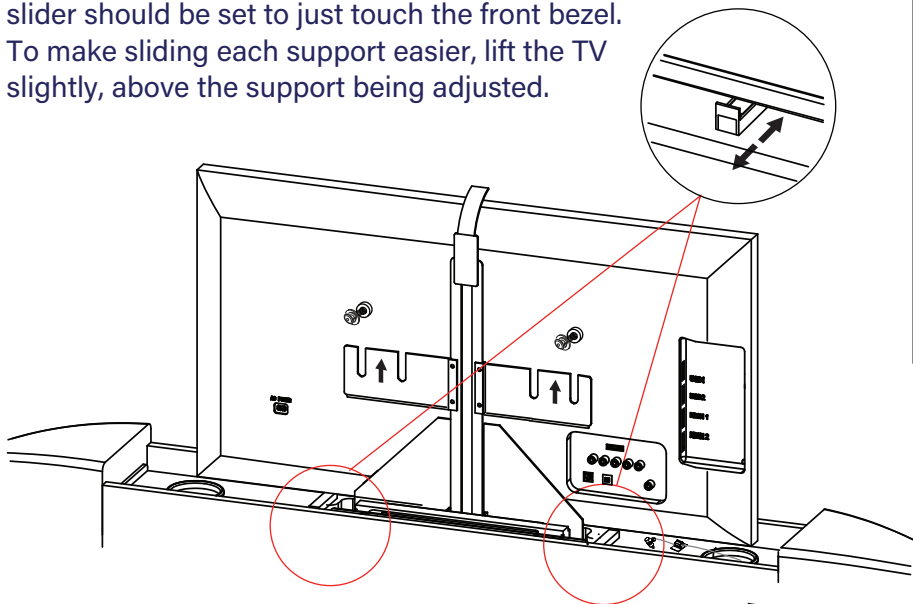
10 Fitting the television.

i) Check the hardware supplied with TV and if Vesa bolts and spacers are supplied please use these to fit the TV.

ii) When spacers are provided it is very important that these are fitted in the correct place, fit between TV & TV bracket, as in this sketch. These are needed to keep the TV screen vertical.



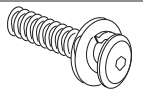
iii) To adjust the two TV supports (o), stand the TV in position and loosely secure it to the TV mounting bracket (x) using the hardware supplied. Each slider should be set to just touch the front bezel. To make sliding each support easier, lift the TV slightly, above the support being adjusted.



If hardware is not supplied with the TV, choose suitable fittings from the TV Kit

Bolt sets

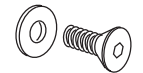
(M8 x 25mm)



y

Countersunk screw sets (M6x12mm).

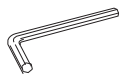
Countersunk screw sets (M4x12mm).



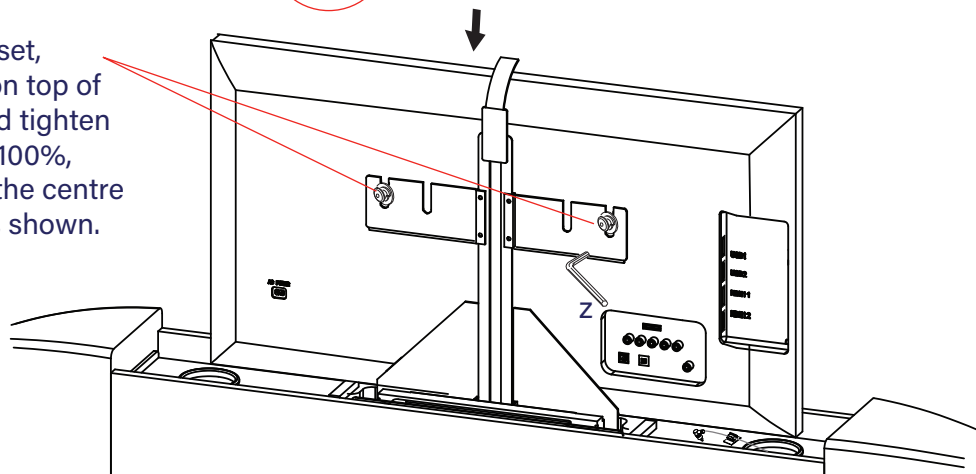
z

Allen Key (4mm).

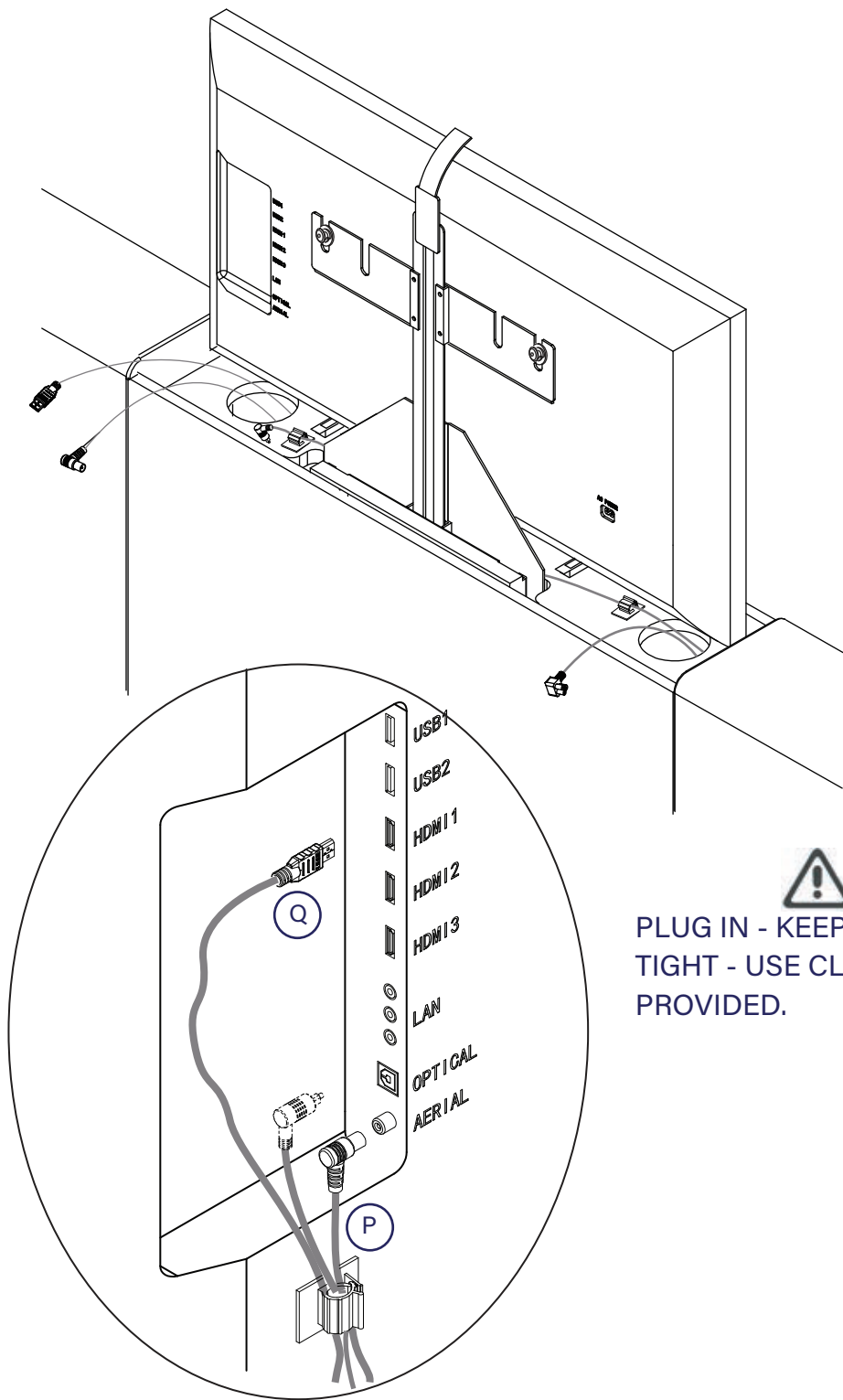
Allen Key (2.5mm).



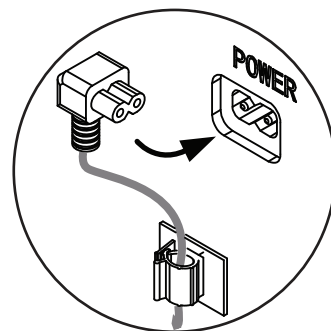
iv) Once supports are set, lightly push down on top of centre of the TV and tighten the two Vesa bolts 100%, these should be in the centre of the long holes as shown.



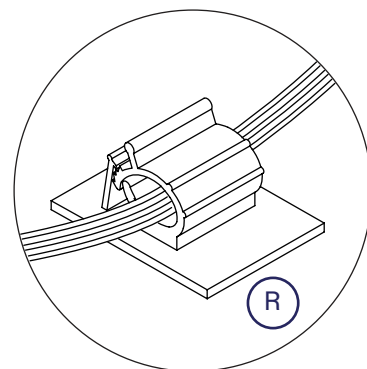
11 Note: For illustration purposes only, TV connections may vary.



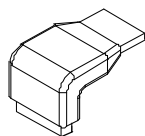
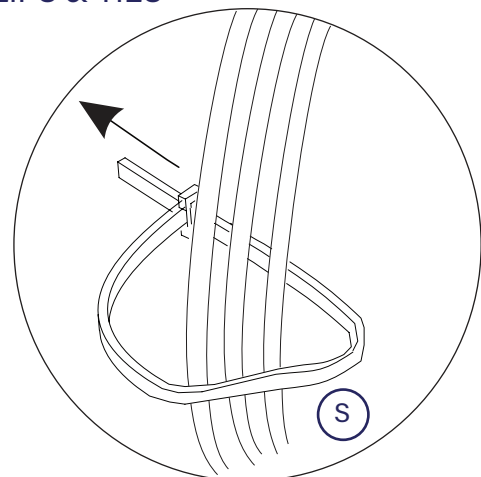
TV power lead supplied with the TV



Keep wires tight - peel off cover from cable clips & adhere to back of TV.



PLUG IN - KEEP ALL CABLES TIGHT - USE CLIPS & TIES PROVIDED.

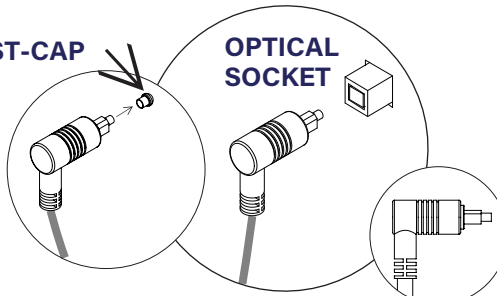


When there is an HDMI socket on the back of the TV, this 90° adapter (W) must be used or the HDMI lead may be damaged by the TV compartment lid.

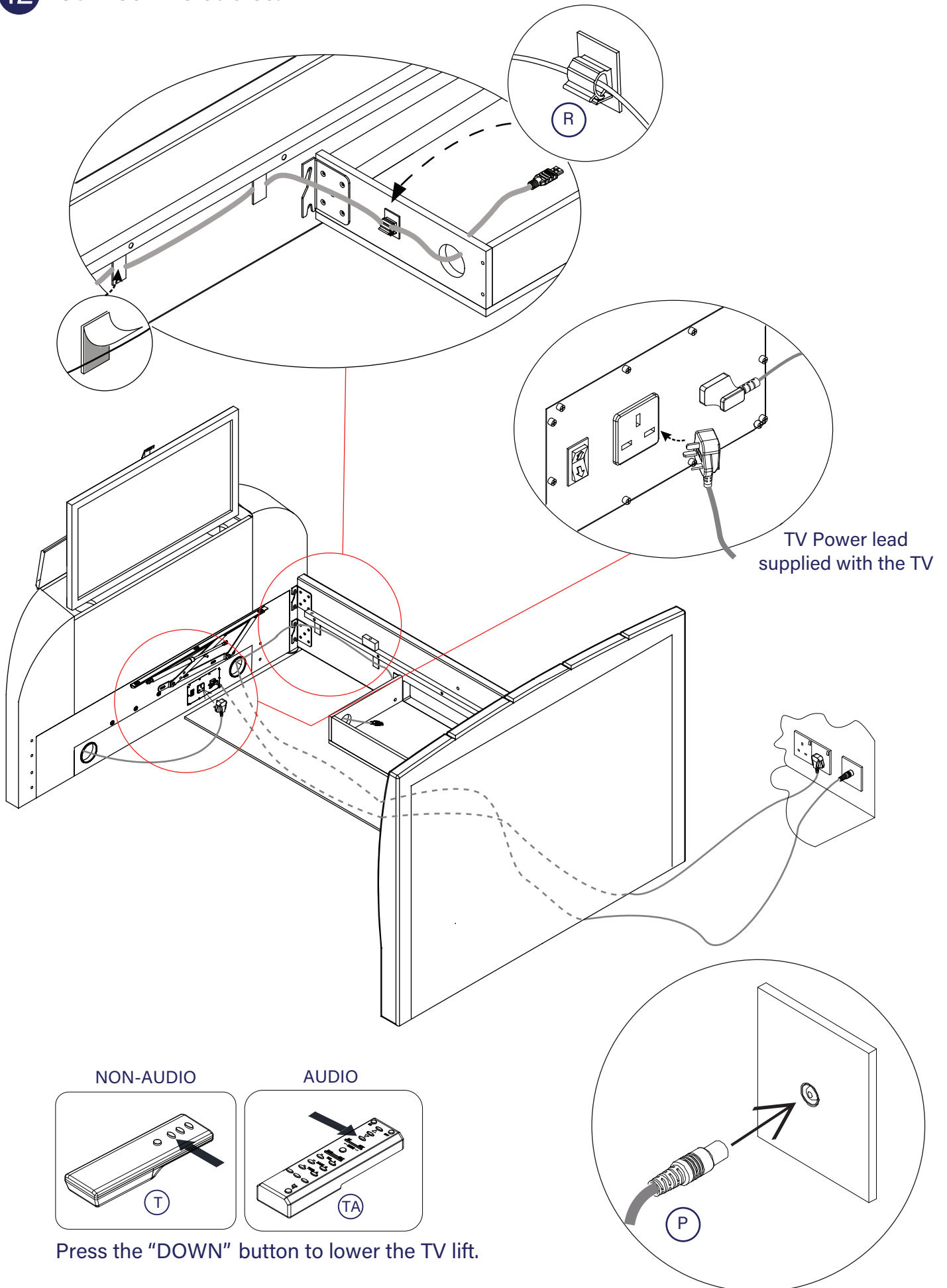


Optical connection is for Audio version only.

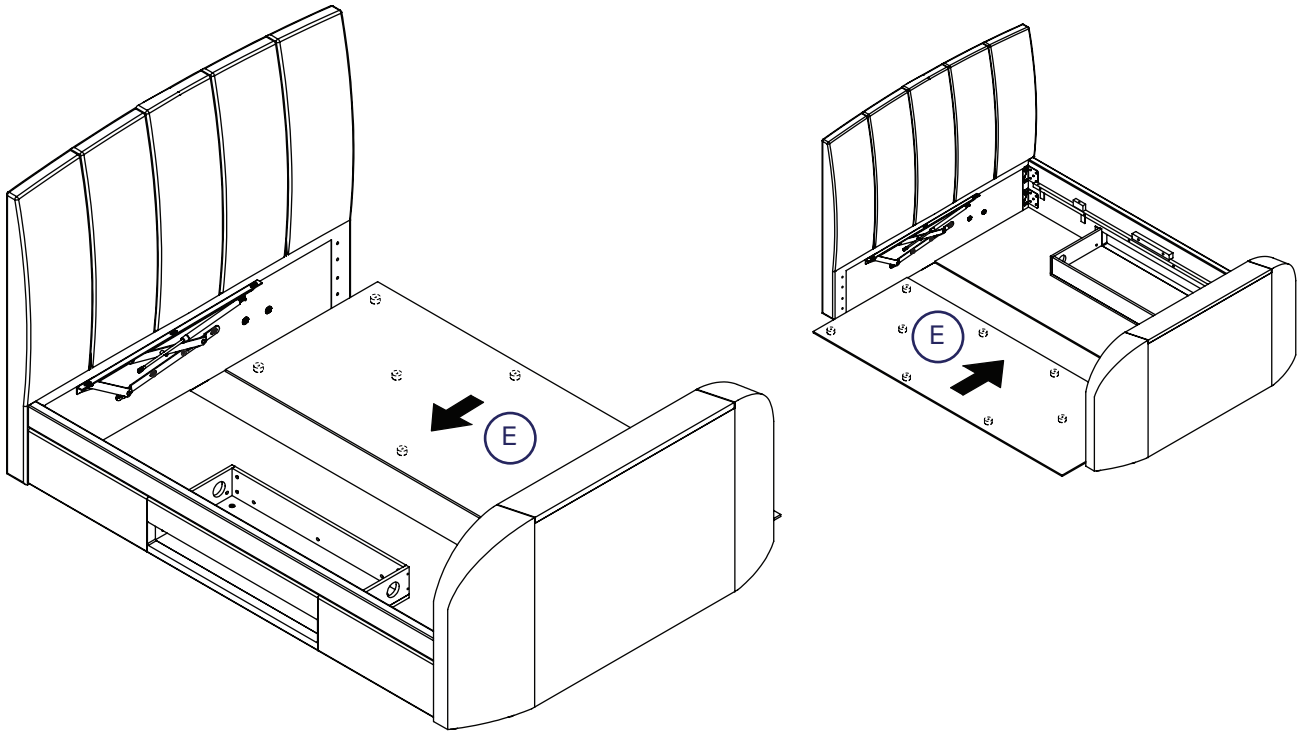
REMOVE DUST-CAP



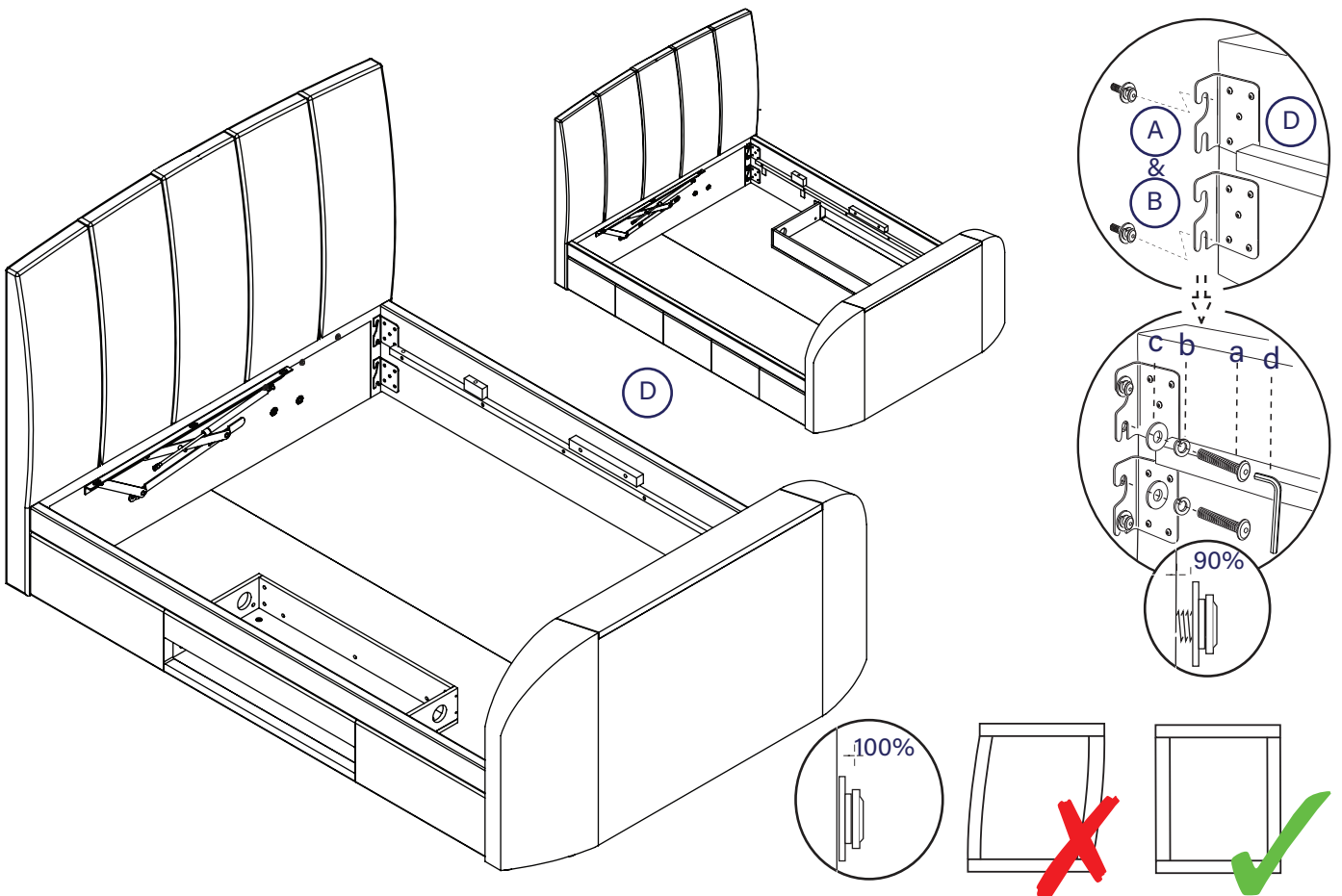
12 Connect the cables.



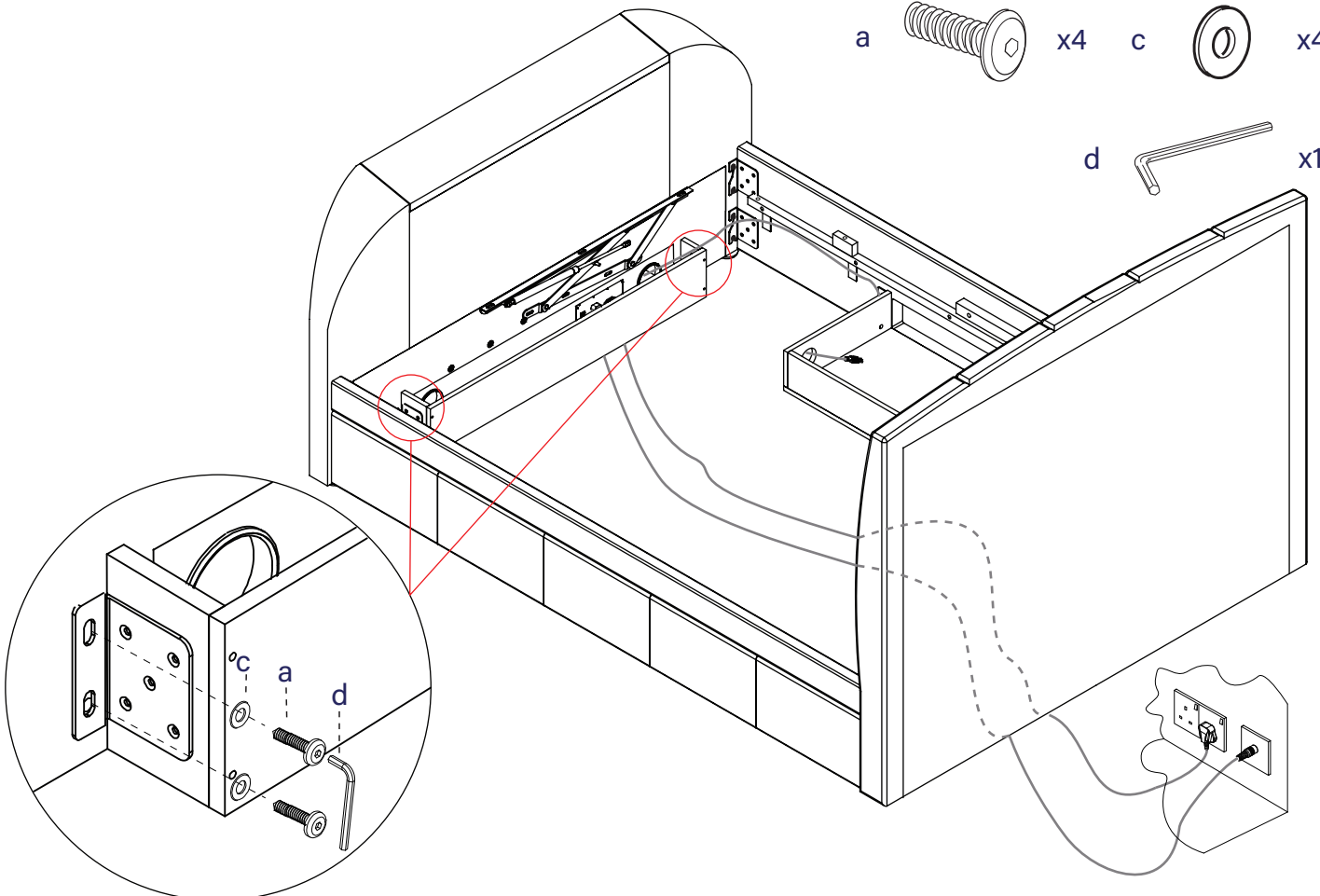
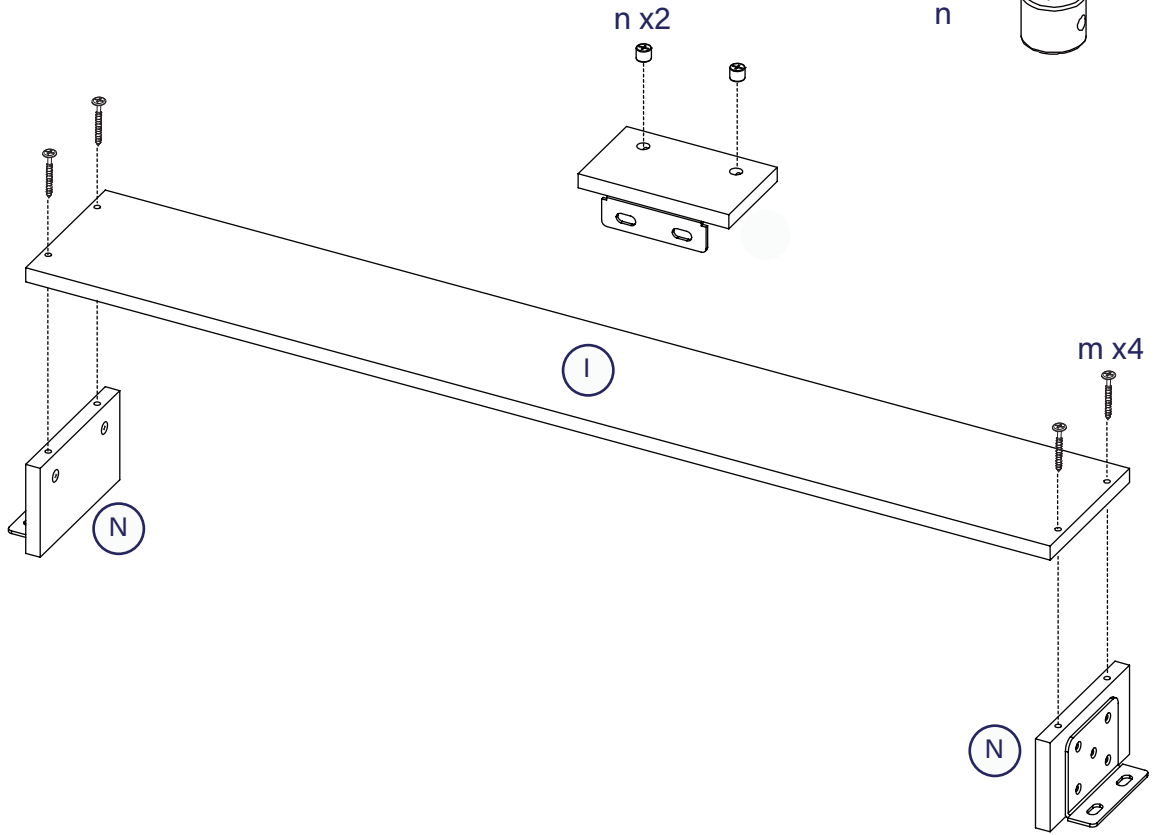
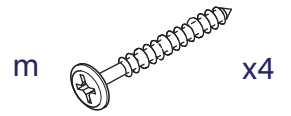
13 Slide in the second storage base board - the plastic glides are underneath.



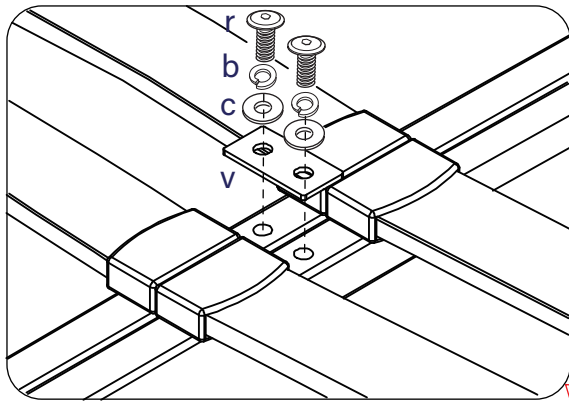
14 Fit plain side rail (D) to the opposite side.



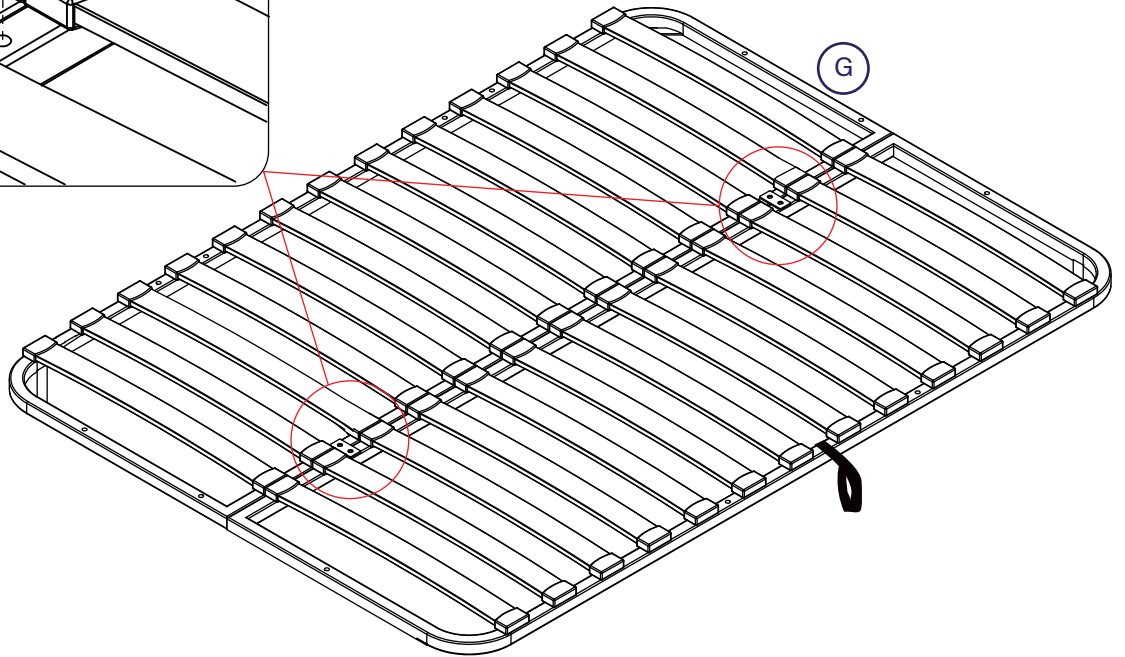
15 Assemble and fit the cable guard.



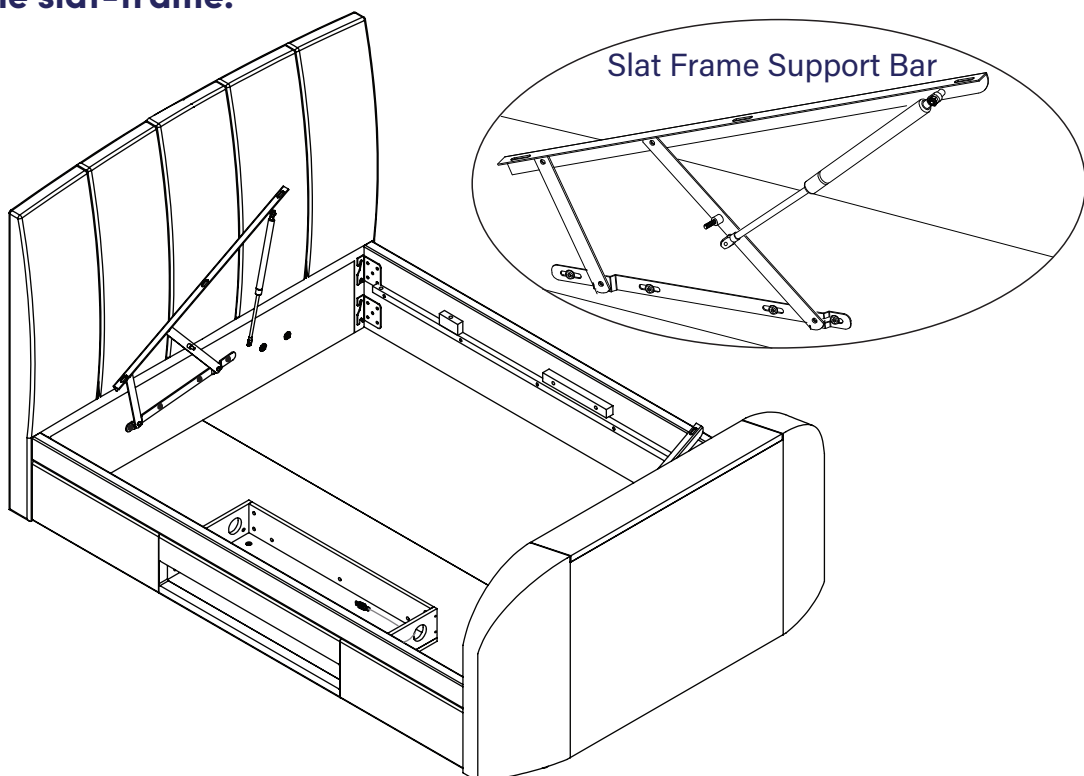
16 Assemble the slat frame



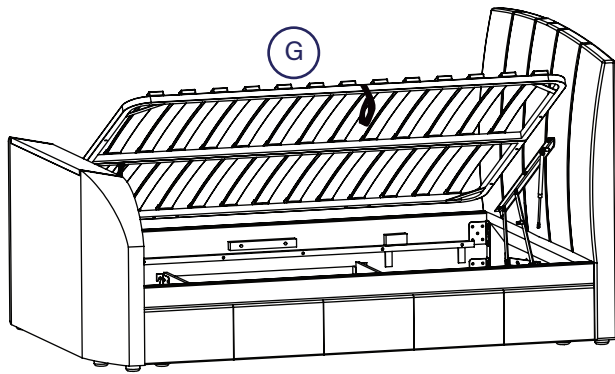
Using four sets of bolts (r), spring washer (b) & flat washer (c) fit the two metal connection plates (v) into the threaded inserts on top of the slat frame (G).
Using Allen key (d), tighten all four bolts 100%.



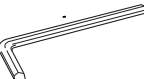
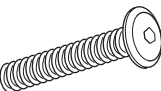




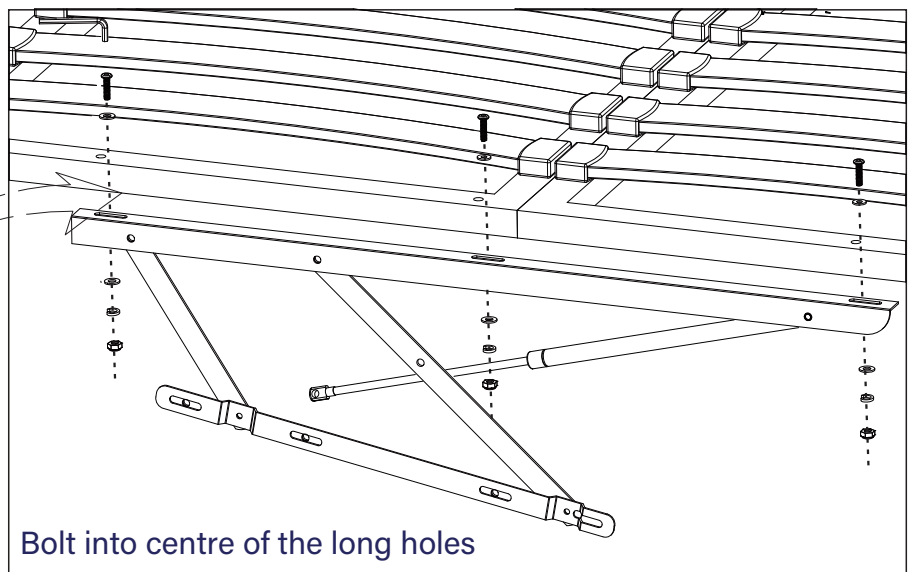
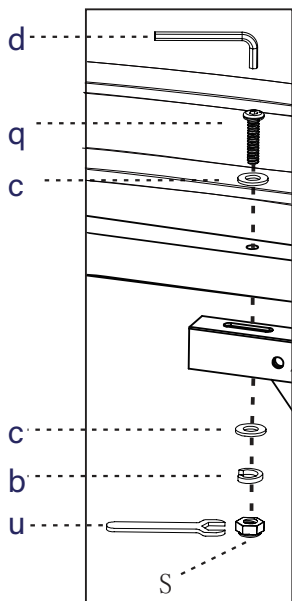
17 Fit the slat-frame.



18



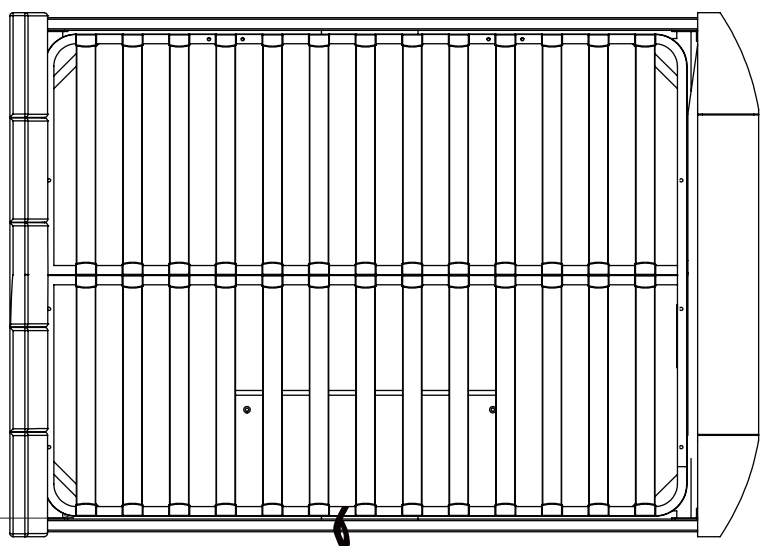
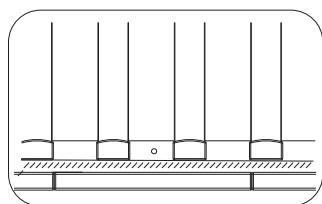
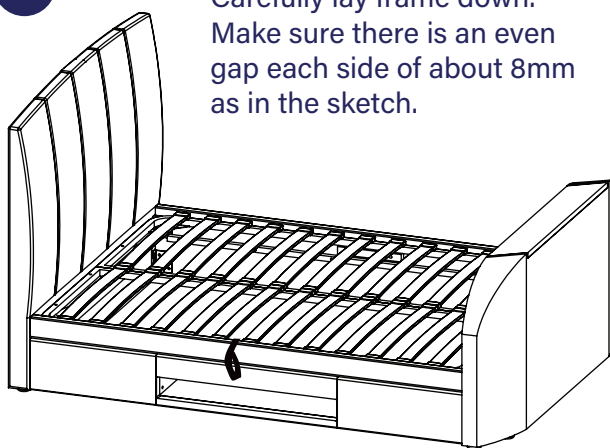
- b  x6
- c  x12
- d  x1
- q  x6
- s  x6
- u  x1



19

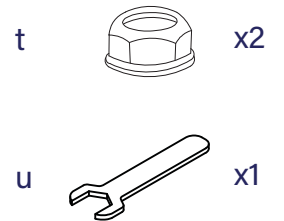
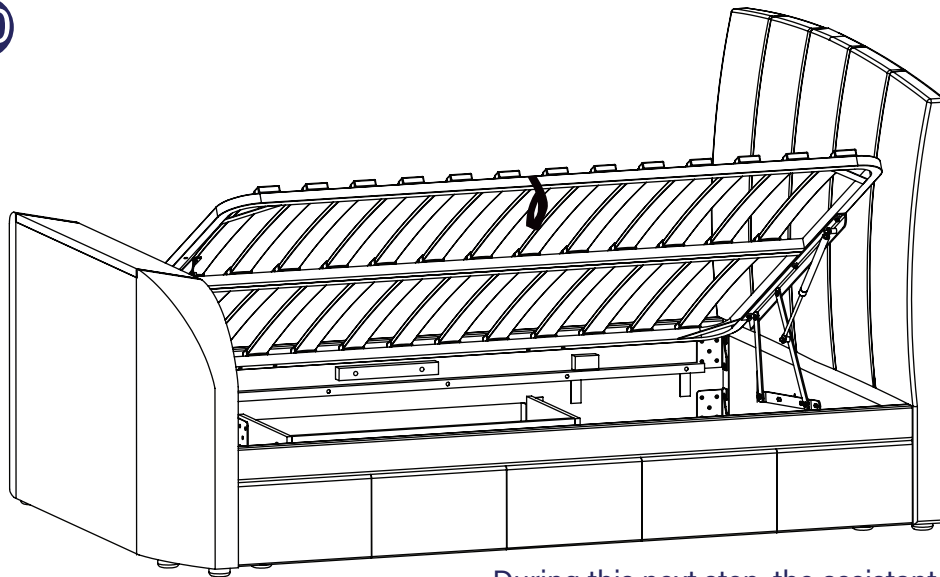
Carefully lay frame down.
Make sure there is an even
gap each side of about 8mm
as in the sketch.

- d  x1
- u  x1

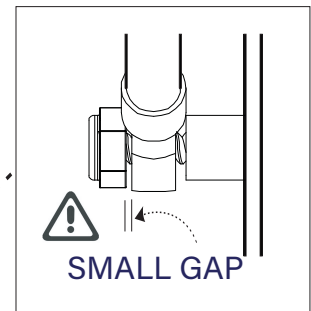
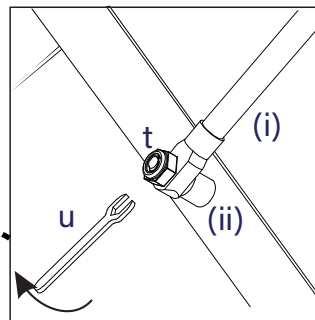
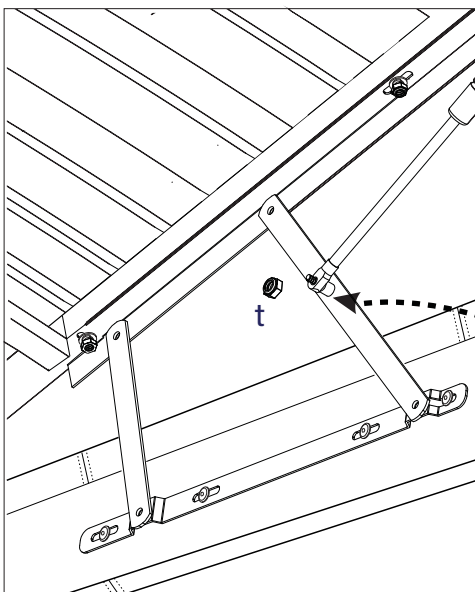


**Hold frame then tighten all six bolt sets
100% using spanner (u) & Allen key (d).**

20

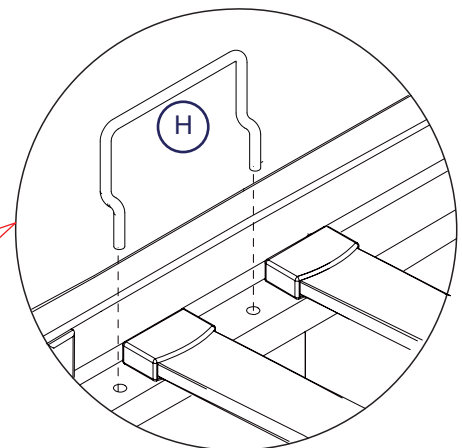
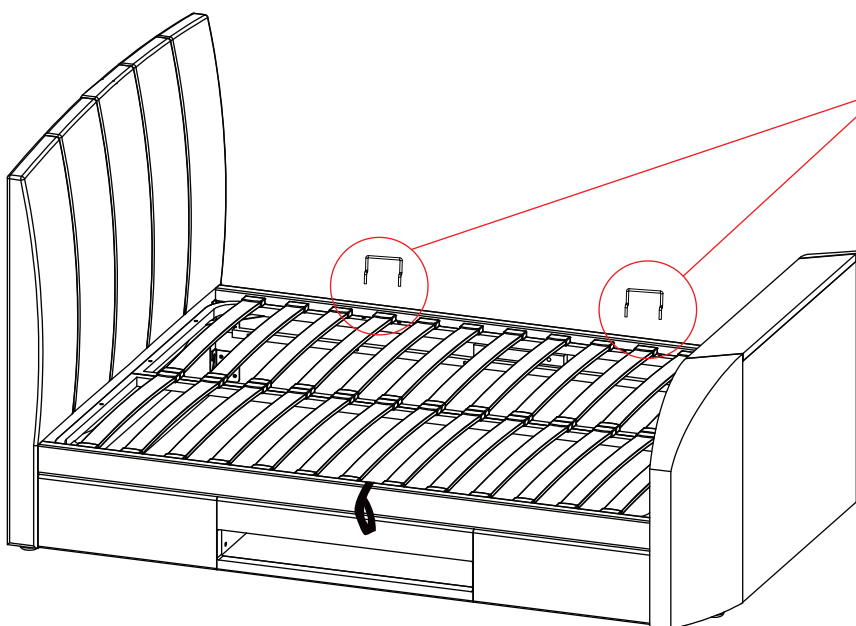


During this next step, the assistant should hold up the slat frame. On side rails (C & D) slide gas-lift piston stems (i) onto the axles (ii) then fit the flanged lock-nuts (t).



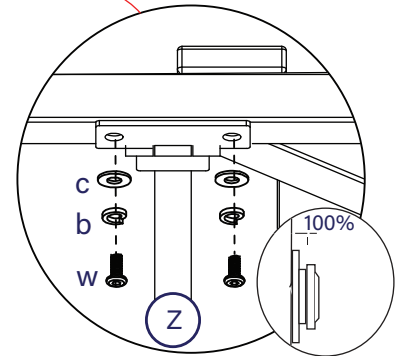
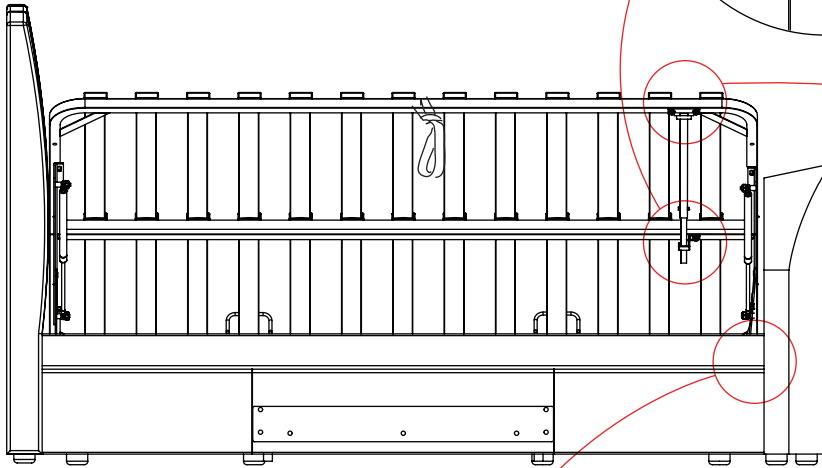
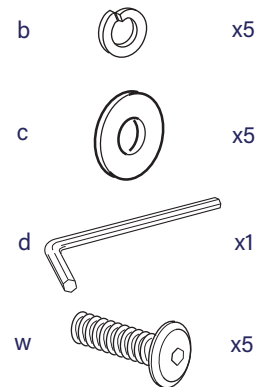
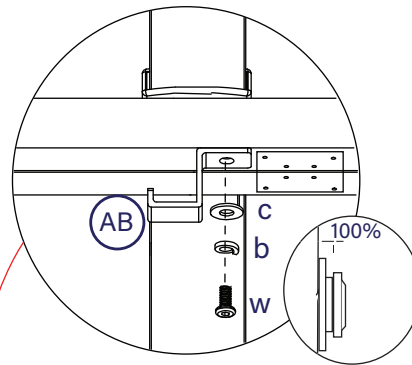
Tighten the nuts with spanner (u) but DO NOT over-tighten, a small gap is left so stems can move freely - this is important - see sketch above.

21 Fit the mattress stoppers (H).



22 Unpack the contents of the Ottoman Support Bar (O.S.B.) from its carton - this is packed inside Pack 5.

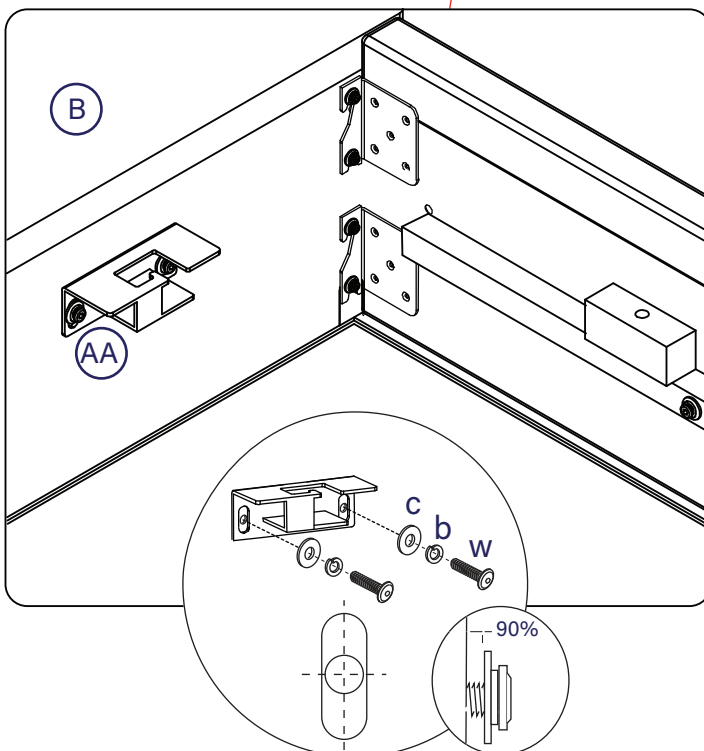
- i) To underneath of the slat frame, fit the parking bracket (AB) using one bolt set (w, b & c). This bracket is used to safely keep the support bar out of the way when not in use. Please make sure the bracket is fitted the correct way round as shown. Screw into the threaded insert, on the underside of the frame.



- ii) To underneath of slat frame, fit the O.S.B. support bar (Z) as shown. Using two bolt sets (w, b & c), screw the bolts into the threaded inserts on the underside of the slat-frame. **Please do tighten 100% yet.**

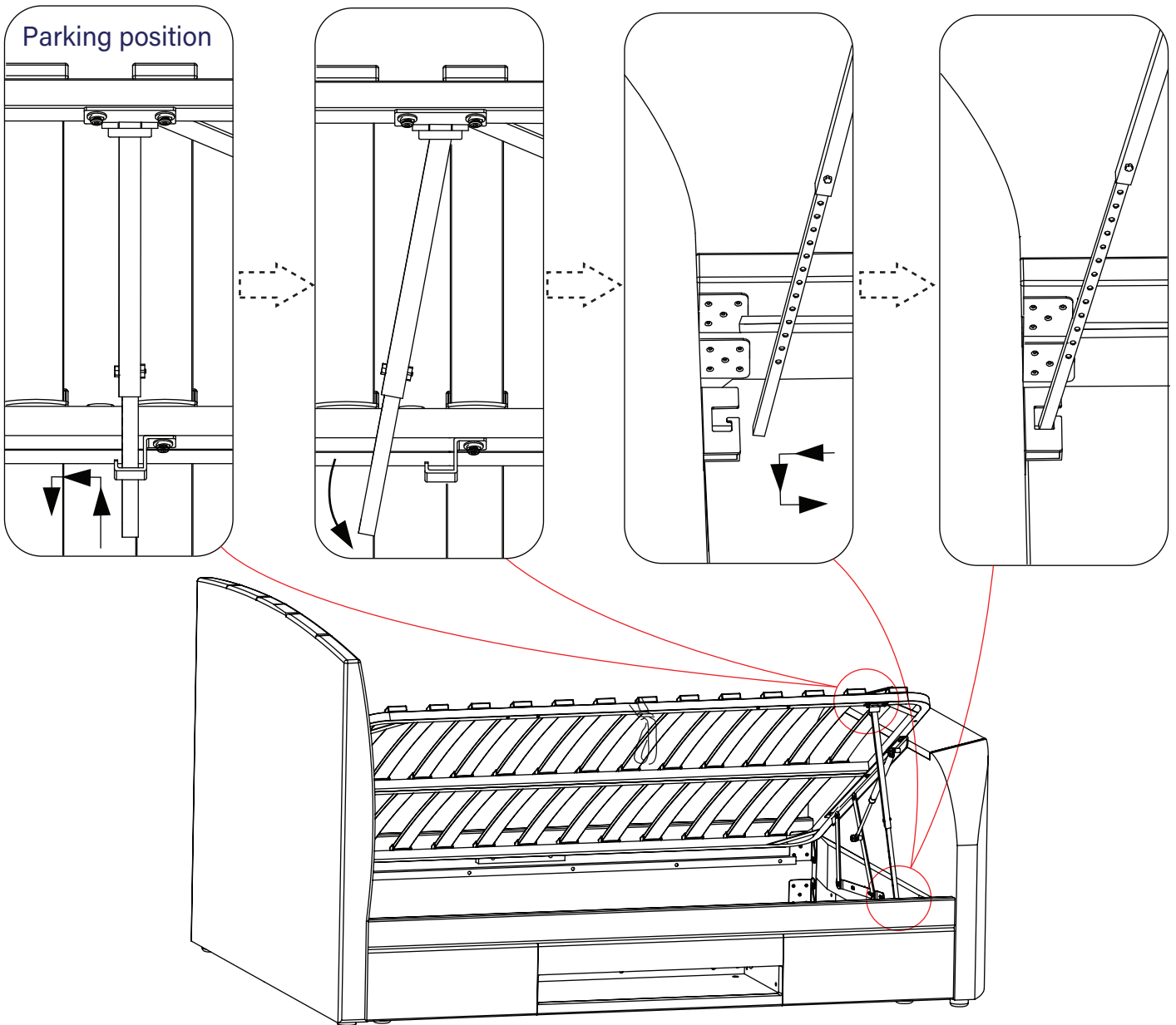
- iii) Fit the fixed retaining bracket (AA) to the footboard using two bolt sets (w, b & c). Screw the bolts into the pre-inserted threaded inserts. Make certain the bracket is level and at the correct height. **Please do not tighten 100% yet.**

- iv) The bolts should be in the centre of the long holes and one may need to slide the inner bar and the bracket, up or down so the bottom of the O.S.B. stem just touches the surface - better to do this AFTER the mattress is fitted.

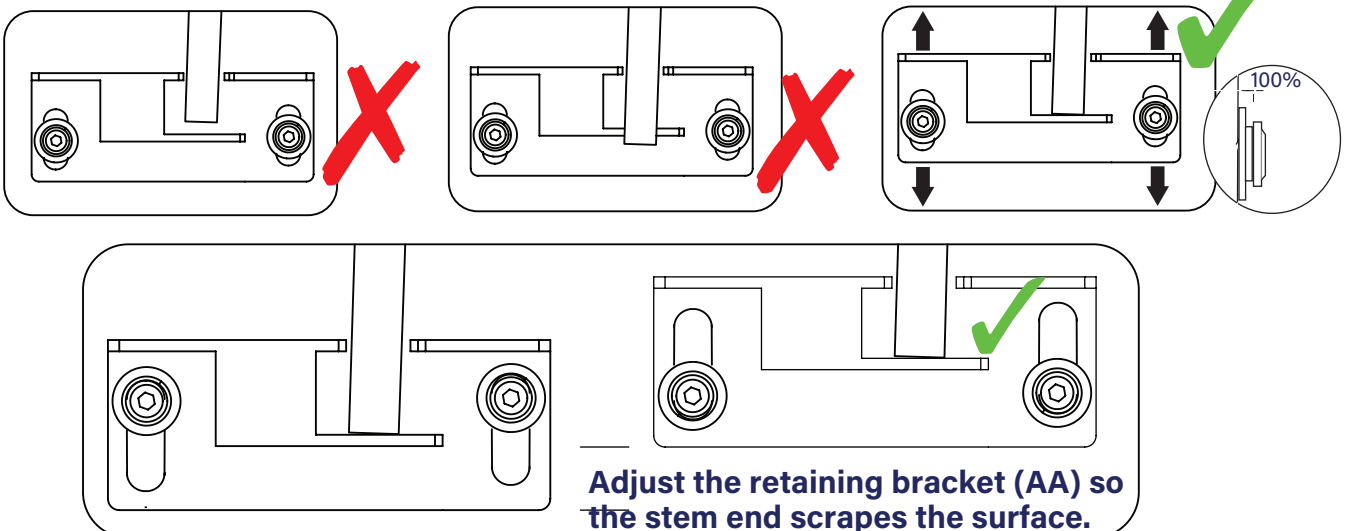


23

Setting the inner stem of the support bar (Z), adjust the inner stem to the correct length.

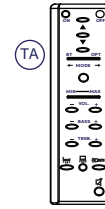


Set the inner stem to the correct length so the end just touches the retaining bracket - it needs to touch to hold it in position.



If the AUDIO version was selected, please follow this guide

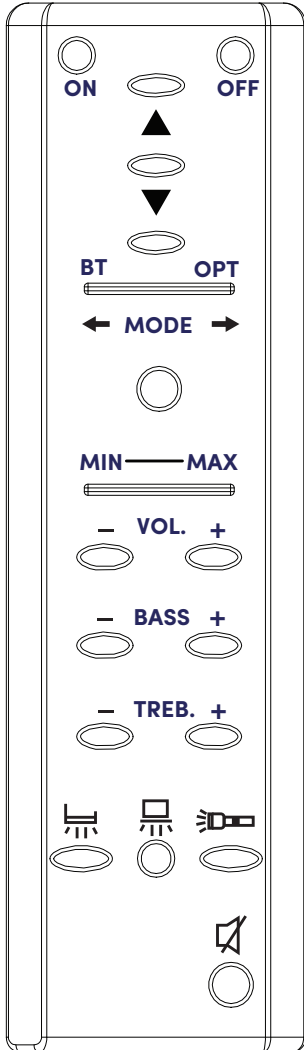
AUDIO OPERATION GUIDE



Parts list item code for the Audio footboard is (BA).

Parts list item code for the 2.1 remote control is (TA).

KOBE 2.1 STEREO SYSTEM



TURN AMPLIFIER ON or OFF.



- 1) Turn on the mains power to the TV Bed.
- 2) Press the Remote Control (RC) ON button for 2 seconds to synchronise and prepare the system, system voice shall say 'Power On'.
- 3) When finished press the OFF button for 2 seconds.

LIFT or LOWER THE TV.



Press once and TV will rise to it's upper working position. Power to the TV will be connected automatically - operate the TV using it's Operation Guide.

Press once and TV Lift will stop.

Press once and TV will go down - as soon as the lower resting position is reached power to the TV is switched off to prevent it overheating.

NOTE: BLUETOOTH WILL WORK NORMALLY WHEN TV IS UP OR DOWN.

SELECT OPTICAL or BLUETOOTH MODE.



Select the required mode by pressing OPT (Optical) to watch TV

or

Select BT (Bluetooth) to connect to your smart device to play music.

Pair your device in the normal way searching for -- 'MY BT'.

Two devices can pair with the system but each will need to disconnect to allow the other to connect.

If device previously connected, system will immediately say PAIRED.

If not previously connected, system shall say PAIRING.

Note you cannot play films through the system from any BT device.



The same blue LED light bar is used to show steps for all the following controls:
VOLUME, BASS & TREBLE.

VOLUME CONTROL



Use --- + or - --- button to increase or decrease the volume.

Note that this control operates step by step and as it is adjusted, the blue LED light bar follows each step until full volume is reached, then the blue lights are all on.

BASS CONTROL



Adjust the Bass attenuation - these buttons increase or decrease the lower frequencies of the sound.

TREBLE CONTROL



Adjust the Treble attenuation - these buttons increase or decrease the higher frequencies of the sound until the preferred sound level is achieved.

Note: if higher frequency sound is reduced, the volume of the sound appears to be reduced too - this is normal.



These buttons are to control the lights when fitted - they are not fitted in this version of your TV Bed.



This button switches on the torch.



MUTE

This button turns the sound off and back on again .

Technical Specifications

Max TV Size: 975 x 575 x 85 (WHDmm)

Overall Dimensions (LWH mm)

Double: 2240 x 1480 x 1300

King: 2340 x 1630 x 1300

Internal Dimensions (LWH mm)

Double: 1960 x 1375 x 260

King: 2040 x 1540 x 260

Media Tray Dims (WDH mm)

885 x 400 x 133

Distance between slats (mm)

Double: 80

King: 83

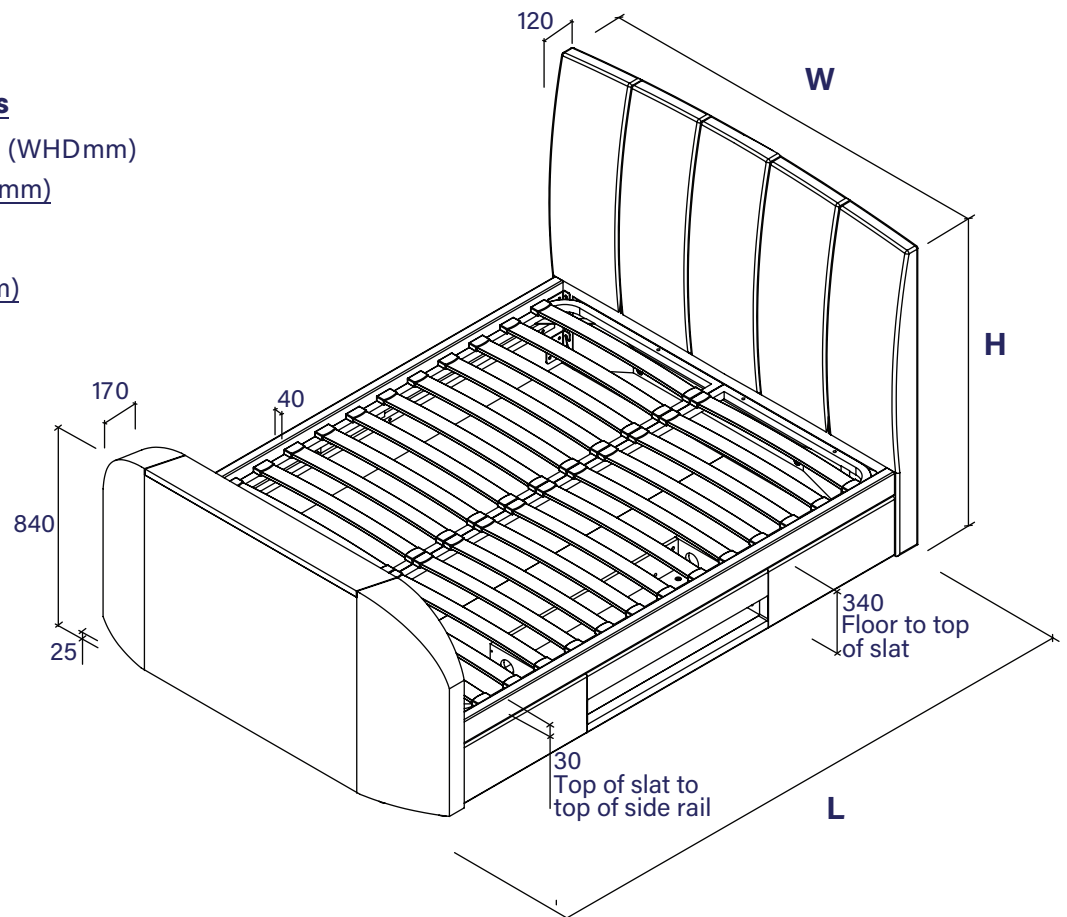
Ottoman Piston Rating

Double & King: 750N

Slat Dimensions (LWH mm)

Double: 680 x 53 x 9

King: 755 x 53 x 9



Care and maintenance

Here are some tips to keep your new bed in tip-top condition



Cleaning

To clean your new bed, we'd advise using a warm damp cloth or if fabric, remove dust using a low suction vacuum cleaner.

Please do not use abrasive chemicals or bleach as this may damage the product.



Checking and moving

Periodically we recommend you check that the screws or fixtures haven't become loose over time. To move your new bed, we recommend lifting it where possible, as dragging or pushing it could cause damage to the legs or flooring.



Wood

Please note each of our wooden pieces are unique, meaning that markings and shade can vary slightly between beds. Over a period of time, the wood might lighten or fade slightly due to light exposure.



Fabric

Please note depending on the lighting, positioning and surroundings of your room, the shade of the colour can sometimes appear slightly different. Over a period of time, the colour might lighten or fade slightly due to light exposure.



Metal

Metal tends to be more resilient to everyday wear and tear. We recommend to gently dust your metal furniture and keep it dry to maintain its look.

Thank you for shopping with us - we hope you have a great night's sleep.

Sleep well

TV BED SAFETY INFORMATION

GENERAL INFORMATION

It is very important not to place any vessel containing liquids, e.g. drinks or vase of flowers, on top of the TV footboard which may accidentally spill and enter the TV compartment as this could cause damage to the TV and/or the TV lifting equipment. If this happens, please contact Customer Services - ring 0800 652 6750.

For customers based in Northern Ireland, please call 028 9050 8300.

Do not expose the bed to an undue level of heat - keep away from radiators.

Never allow anyone to sit on the foot end of the bed - keep children well away from moving parts.

To keep the bed clean, we recommend that it be wiped over with a slightly dampened cloth or if fabric use a light vacuum cleaner; disconnect power before cleaning.

Supplied with the TV bed is a remote control to operate the TV Lift and a remote control to operate the Television.

Both these remotes use batteries, there are strict controls for disposal of batteries - your local council can advise on how to safely dispose of them. Never burn batteries on an open fire as they could explode.

IMPORTANT POWER INFORMATION

It is essential that the Mains Power Lead is connected to an earthed socket be it a wall socket or extension lead - otherwise there is risk of damage or even electric-shock.

The socket providing the power must be accessible at all times in case one needs to switch off the supply quickly.

During an electrical or lightening storm - disconnect the power completely as a precaution.

Always un-plug the power when going on holiday or when the bed is not used for an extended period.

If you have young children in the home always disconnect the power at the wall socket for extra safety.

Power outlets, extension leads or adapters must not be overloaded beyond their limit - this can result in fire or electric shock.

Leads or leads supplied with this bed, or other approved mains powered extension leads used to power your own equipment, must not be placed where they can be walked on - this is dangerous and could lead to accidents.

Do not interfere with or modify any leads already fitted and do not add any extra media leads unless they are routed through the ducts as shown.

All leads must be tightly connected to back of TV using cable clips provided, never hanging loose.

Never touch moving parts or any part of the equipment - if something needs to be checked, disconnect the power first.

Do not insert anything into the footboard as this could seriously damage the TV and/or the TV lifting equipment and could, if done carelessly, cause serious damage or injury.

If the equipment doesn't operate normally or if there is an unusual noise, disconnect the power & contact Customer Services.

TELEVISION INSTALLATION

Please follow the television installation instructions below.

Raise the TV Lift by pressing the up button of the remote control.

Connect the Aerial & standard HDMI leads by passing down the appropriate duct to suit connections on back of the TV.

Connect the TV to the mounting bracket as appropriate taking care to follow the instructions.

If necessary mounting bracket can easily be adjusted up or down to align with upper fixing holes on rear of TV.

Connect the TV Power Lead by passing the plug down one of the ducts, plugging it into an adapter if supplied, then into the TV power socket which is on the face of footboard. This socket is only to be used for the TV as for safety reasons, the power supply to it is not constant.

If required, connect your own media leads through either of the ducts - connect your media equipment when ready.

Please use the cable clips & cable ties to make certain there are no wires hanging loose that might get snagged or trapped.

The TV can now be operated following the TV User Guide supplied with your TV.

When finished viewing, lower the TV back into the footboard by pressing the down button of the remote control, the TV will retract into the footboard automatically - to prevent overheating, power shall be turned off when the TV reaches the lower rest position. When the up button is pressed - the TV Lifting Column rises and power to the TV turns back on automatically.

TROUBLE SHOOTING

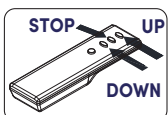
If your equipment does not operate please check all the power connections from wall to the socket in the footboard.

Make sure TV is switched on (Note: TV will only work when it is in the up position).

If you cannot resolve an issue or still have a problem or need help, please contact Customer Services for advice.

IMPORTANT: Care should be taken when connecting electrical items. If you are in any doubt about the correct connections to your TV Bed, please consult an approved electrician.

Occasionally you may find the radio wave connection between remote control and TV Lift is lost, probably due to atmospheric conditions. In that case please follow these simple instructions:

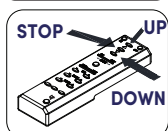


(Non Audio)

①. Disconnect all mains electric power to the bed, for at least 60 seconds.

②. Press either UP or DOWN Button on TV Lift Remote Control and keep holding button down, simultaneously re-connect mains electric power to bed keeping button down for at least a further 5 seconds. The TV Lift unit receives the signal from the Remote Control and TV lift will begin to move UP or DOWN whichever button was pressed.

③. Re-pairing is now complete.

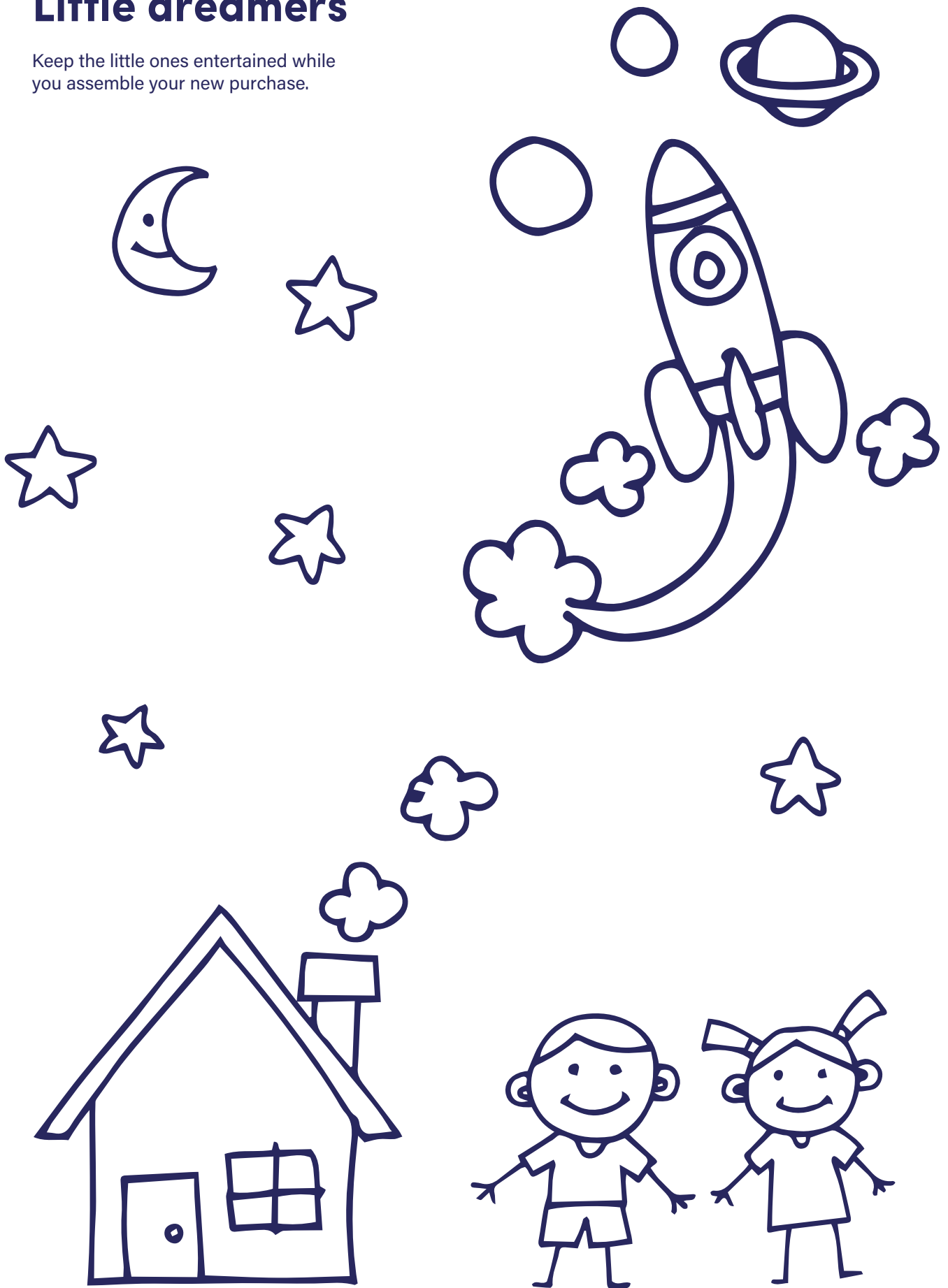


(Audio)



Little dreamers

Keep the little ones entertained while you assemble your new purchase.



Dreams