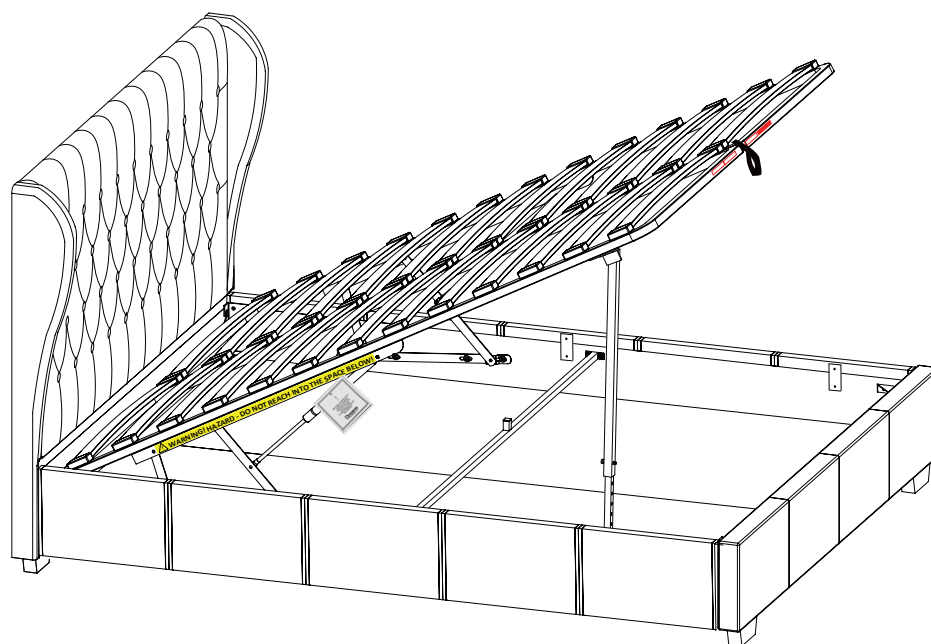


Sana Ottoman Bed with O.S.B.



IMPORTANT OTTOMAN SAFETY WARNINGS

- **IMPORTANT - READ CAREFULLY - RETAIN FOR FUTURE REFERENCE**
- **You must ensure that the mattress is on the bed frame before operating the lift mechanism - Failure to do so could result in injury.**
- **Keep hands clear of the mechanism when opening or closing the ottoman.**
- **Beware of entrapment - Never reach in through the mechanism to access the storage area.**
- **Always ensure that the ottoman is FULLY opened before accessing the storage area.**
- **Do not exceed the maximum weight as specified in the table below:**

Bed	Bed Size	Min Weight (kg)	Max Weight (kg)
Sana	Double	20	50
	King	20	50



1.5 hour approx
assembly time



Two person
assembly

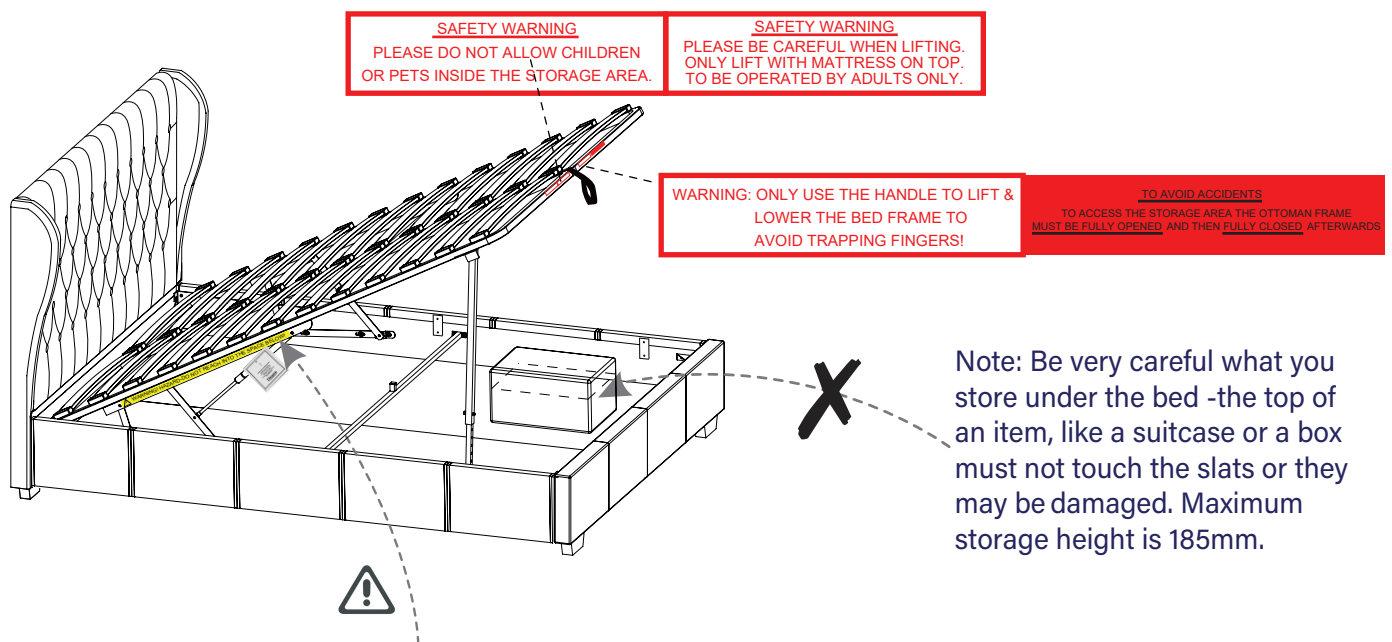
Dreams

MK4 230329

IMPORTANT OTTOMAN SAFETY WARNINGS Cont.



- Use caution when operating, always use the handle when lifting.
- **Note:** This bed uses a pressurised mechanism.
- To be operated by adults only.
- Please ensure that children and pets are kept away from the bed when operating the lift mechanism.
- Keep children and pets away from the storage area.
- Do not overload the internal storage base.
- Do not stand inside the internal storage area of the bed.
- Before removing the mattress secure the frame to ensure it does not open unexpectedly.
- Do not attempt to lie on the mattress when the ottoman is in the raised position.
- When lifting the ottoman, remove all bedding except the fitted sheet.



! WARNING! HAZARD-DO NOT REACH INTO THE SPACE BELOW!

Ottoman Beds – Important Safety Features

Our aim is always to give you the best experience and to ensure every effort has been made to guarantee your comfort and safety. Please take time to look at these instructions as they will help remind you how to operate your ottoman bed safely.

Here's a few things you need to remember;

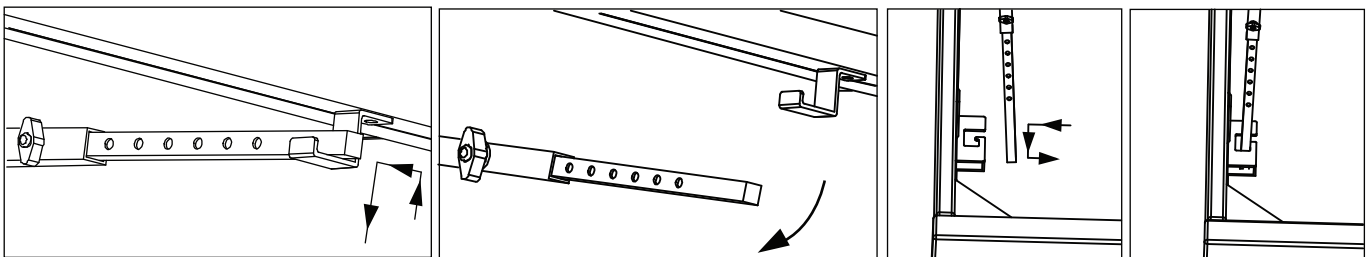
- ✓ **Pistons are already assembled in their correct orientation – this improves piston performance and durability.**
- ✓ **“Break in ” the piston seals on first use by raising & lowering the platform at least five times.**
- ✓ **Recommended mattress weights - do not exceed the maximum relevant weight specified on the Assembly Instruction.**
- ✓ **Ottomans safety stay – always engage the safety stay when accessing the ottoman storage area.**

Read all instructions provided before using your Ottoman bed-frame.

Please save and retain the instructions for future reference.

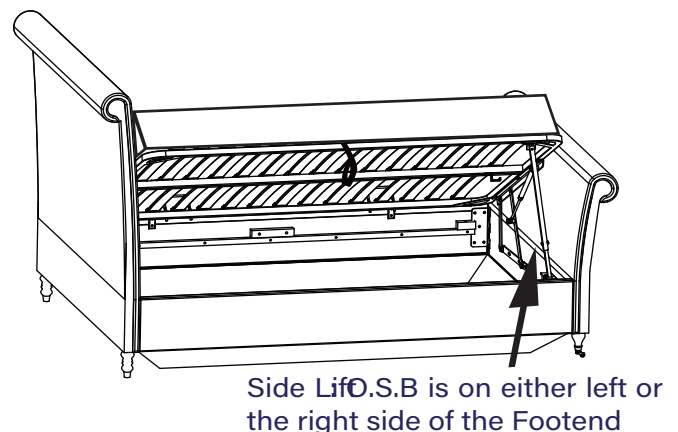
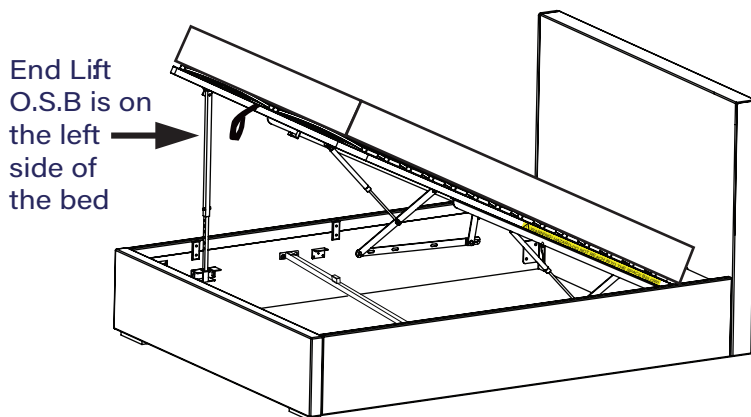
Ottoman Support Bar (O.S.B.)

For optimal safety during operation, always ensure the O.S.B. is engaged when accessing the ottoman storage area



1. Always raise the ottoman slat-frame to its highest position before using the storage area.
Locate the O.S.B and insert into the fixed retaining bracket on the bed frame.
2. When you are ready to lower the ottoman platform, return the O.S.B to its original parking position.
3. Always ensure that the O.S.B is in position when the ottoman is opened.
This prevents injury, or damage to the product.

Location of O.S.B



WARNING! Risk of Entrapment

The pistons on the ottoman bedframe can support a maximum load (evenly spread) as indicated in the Minimum and Maximum load table, on Page 1 of this Assembly Instruction.

Overloading the sleeping platform may contribute to damage to the product resulting in potential serious injury.

Do not sit on the mattress whilst the platform is in motion or is in the raised position.

Users should only get in and out of bed when platform is in the flat (horizontal) position.

Thank you

Hello, thanks for choosing to purchase your bed from Dreams - you're now on your way to your best ever night's sleep. Before you begin building your bed, please take a moment to read through the instructions and make sure that you've got all the relevant parts listed on the following pages.



Assembly tips

Before you begin, it's best to identify all parts and fittings to build your bed. We advise laying these out on the floor to check you have everything, and familiarising yourself before building.



Top tip

We recommend that you build your new bed in the room you'd like it to be located - this will help prevent any risk of damage to your newly built bed whilst moving it.



Safety and care

It's really important to ensure children and animals are kept away from the assembly area, as there are small components used in this bed which could present a choking hazard. All plastic and wrapping materials should also be kept away from children and animals to prevent any risk of suffocation. To keep your little ones busy, there is a colouring page inside the back cover.



Help and support

At Dreams, it's our mission to give the whole nation a great night's sleep - this means that the quality of our products is of utmost importance to us. If there are any issues with your product or any missing parts, please contact our Help Centre on 0800 652 6750, where a member of our team will be happy to help. (For customers based in Northern Ireland, please call 028 9050 8300)



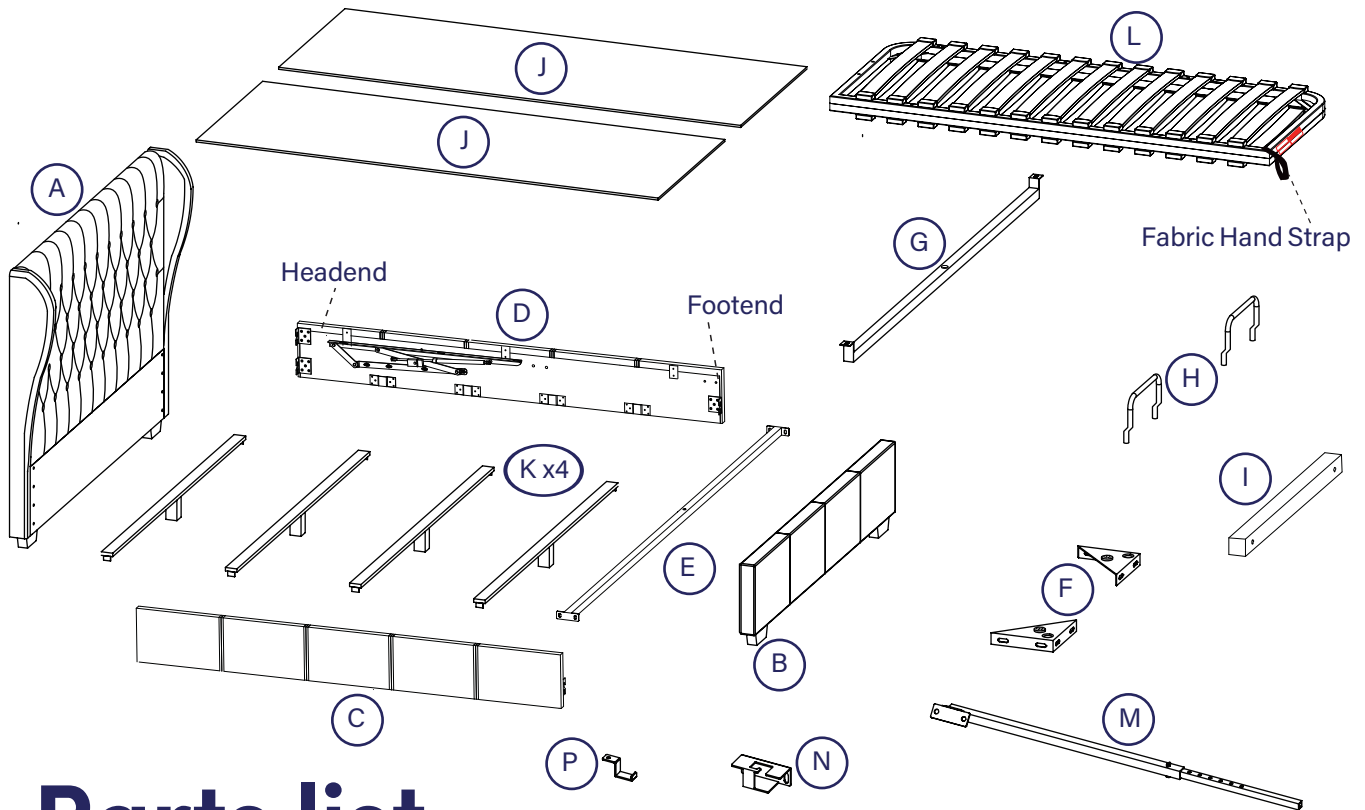
Recycling

Please ensure that packaging is disposed of in a safe and environmentally friendly way, and recycle where possible. Our assembly instructions are printed on recycled paper. Please keep your assembly instructions safe to refer back to in the future.

Parts

Important information

The bed you have purchased comes with an Ottoman lift up base, please follow the instructions below in the current order. Before you begin building your bed, please take a moment to read through the instructions and make sure that you've got all the relevant parts listed on the following pages.



Parts list

Code	Description	Qty	Box	Code	Description	Qty	Box
A.	Headboard	1	1	I.	Slat frame support rail	1	2
B.	Footboard	1	2	J.	Storage base boards	2	2
C.	Side rail - left	1	3	K.	Base board support rails (wood)	4	2
D.	Side rail - right	1	3	L.	Metal lift up slat frame	1	2
E.	Side rail cross bar	1	3		Ottoman support bar PACK (O.S.B.)		
F.	Angled corner brackets	2	2	M.	Ottoman support bar	1	2
G.	Cross bar	1	2	N.	Fixed retaining bracket - side rail	1	2
H.	Mattress stoppers	2	2	P.	Parking bracket - slat-frame	1	2

Tools required

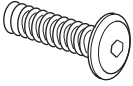





Tape measure




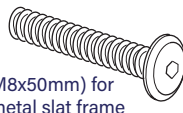

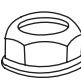
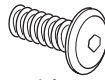

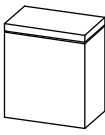
Fittings

Please check you have all the parts listed below with your product:



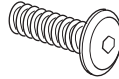
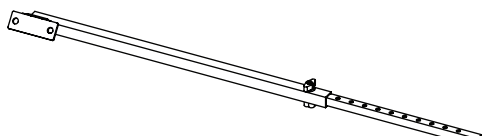
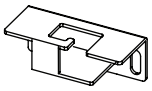
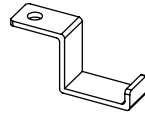
Hardware needed for fixing side rails to headboard & footboard Packed in side rail pack 3 - hardware pack (A)

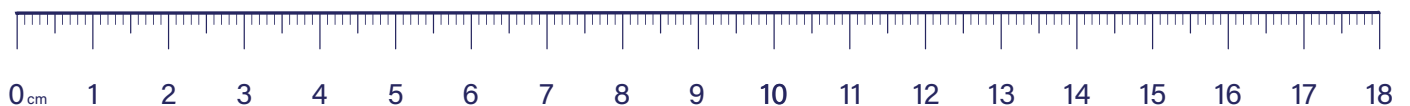
<p>a x24</p>  <p>Bolts (M8x30mm) for fitting side rails (C&D) to headboard & footboard (A&B)</p>	<p>b x24</p>  <p>Spring washer for M8 bolts</p>	<p>c x24</p>  <p>Flat washer for M8 bolts</p>	<p>d x1</p>  <p>Allen key for M8 bolts</p>
--	---	---	--

Hardware needed for fitting metal slat frame, Packed in side rail pack 3 - hardware pack (B)

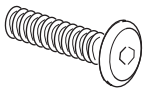


<p>b x12</p>  <p>Spring washer for M8 bolts</p>	<p>c x21</p>  <p>Flat washer for M8 bolts</p>	<p>e x1</p>  <p>Spanner for M8 nuts</p>	<p>f x9</p>  <p>Bolts (M8x50mm) for fitting metal slat frame (L) to gas-lift mechanisms & fitting slat frame support rail (I) to footboard (B)</p>	<p>g x6</p>  <p>Nut for M8 bolts</p>
<p>h x2</p>  <p>Flanged lock-nuts (M8) for gas-lift pistons</p>	<p>j x6</p>  <p>Bolts (M8x20mm) for fitting metal connection plates (k) and cross bar (G) to metal slat frame (L)</p>	<p>k x2</p>  <p>Metal connection plates</p>	<p>p x1</p>  <p>Support block for side rail cross bar (E).</p>	

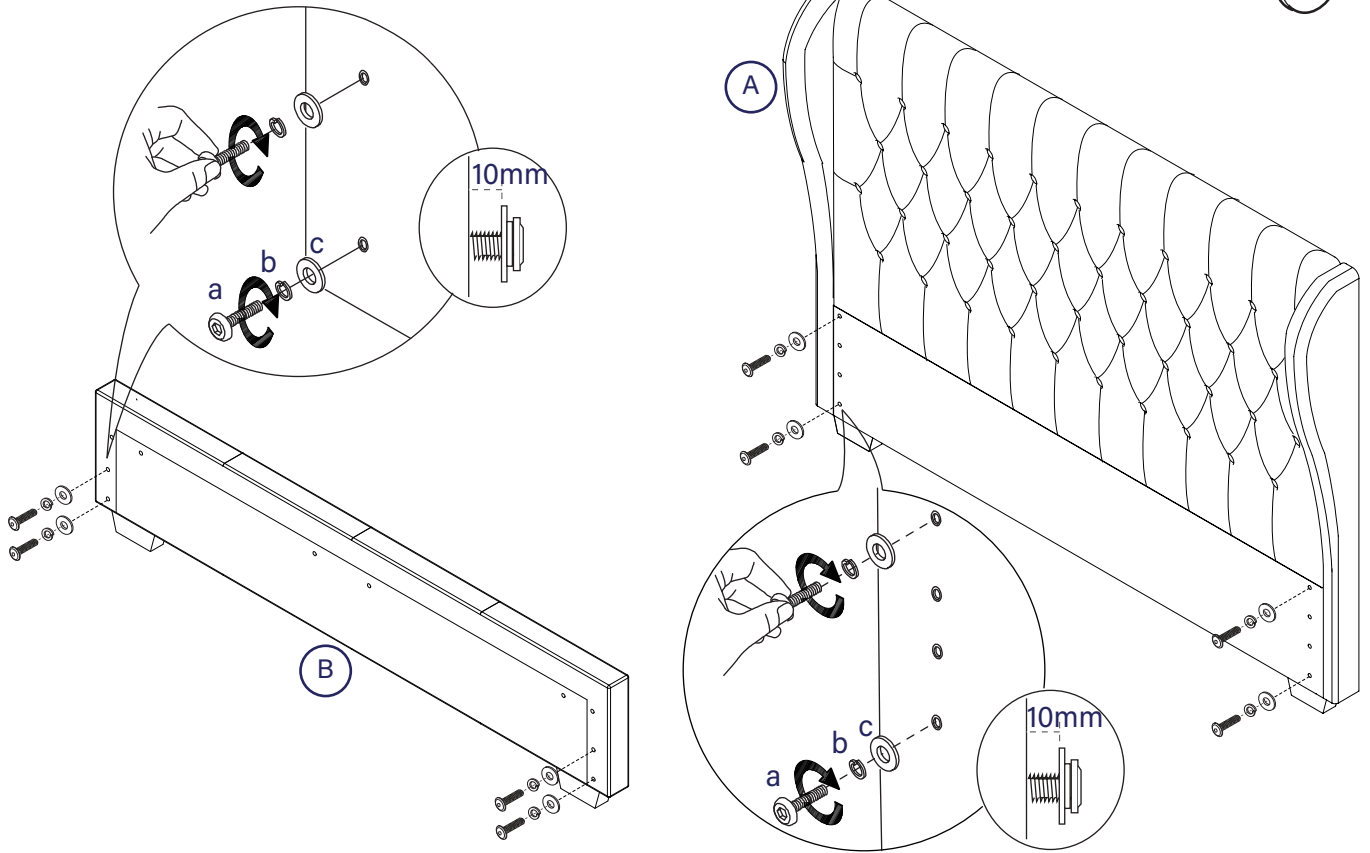
Hardware needed for fixing ottoman support bar (M) Packed in the ottoman support bar carton, packed inside pack 2 - hardware pack (C)

<p>b x5</p>  <p>Spring washer for M8 bolts</p>	<p>c x5</p>  <p>Flat washer for M8 bolts</p>	<p>m x5</p>  <p>Bolts (M8x25mm) for fitting ottoman support bar</p>	<p>M x1</p>  <p>Ottoman Support Bar</p>
<p>N x1</p>  <p>Fixed retaining bracket - side rail</p>	<p>P x1</p>  <p>Parking bracket - slat frame</p>		

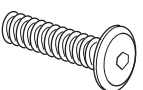


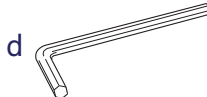


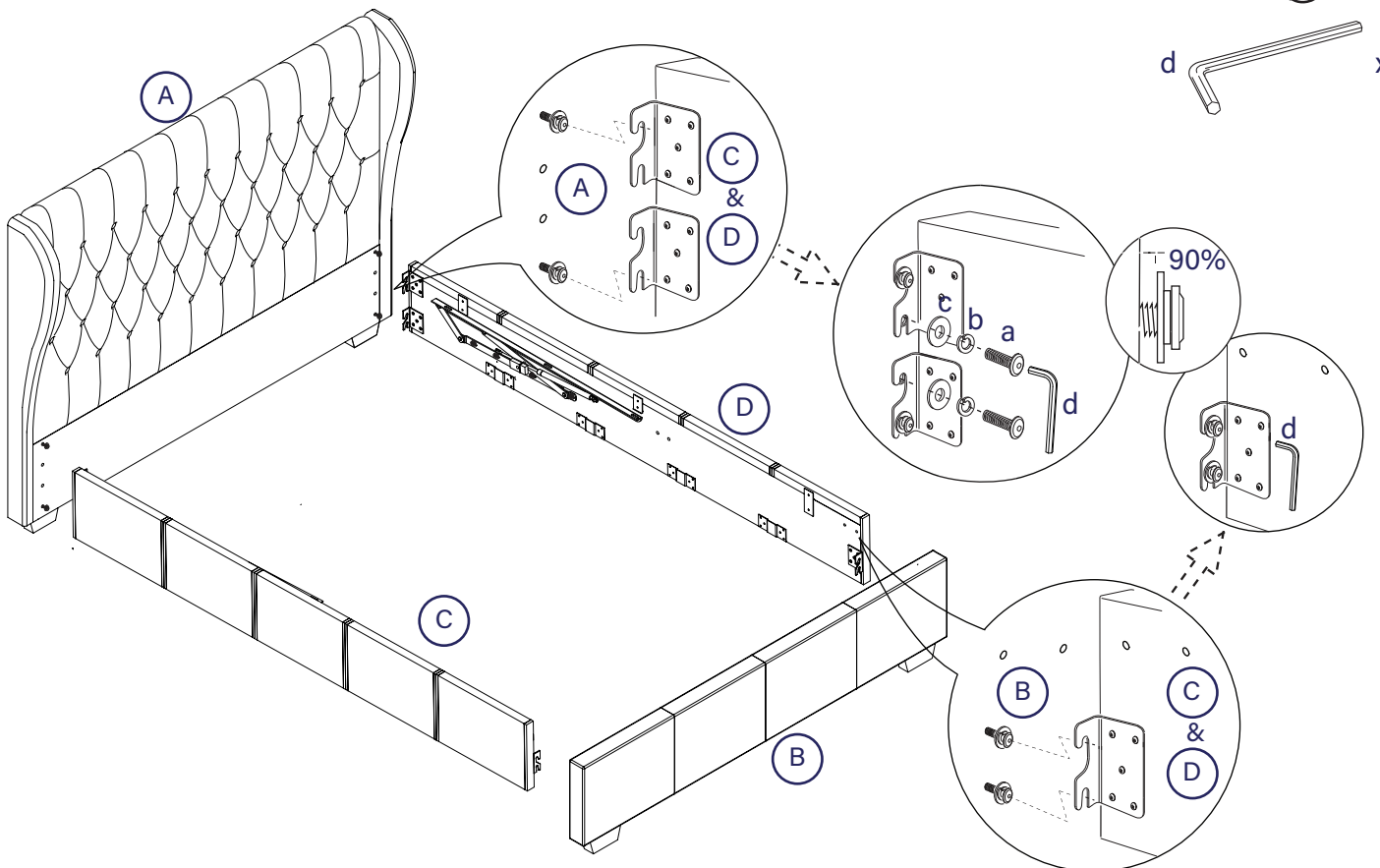
1 Prepare the bed for assembly - use pack 'A'

- a  x8
- b  x8
- c  x8

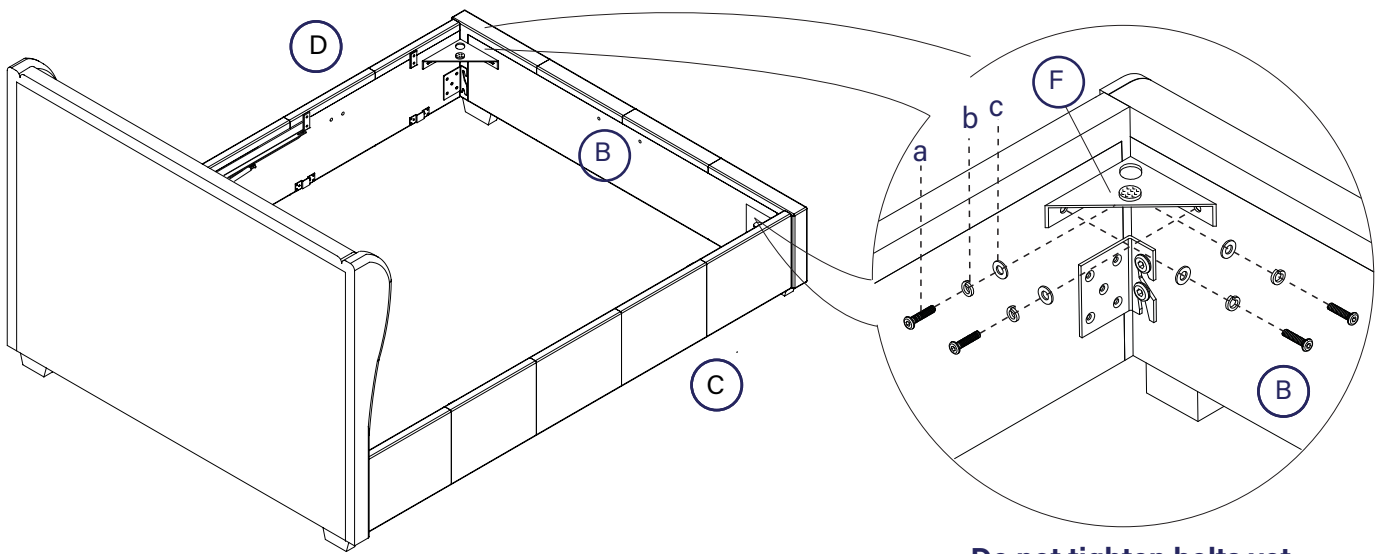
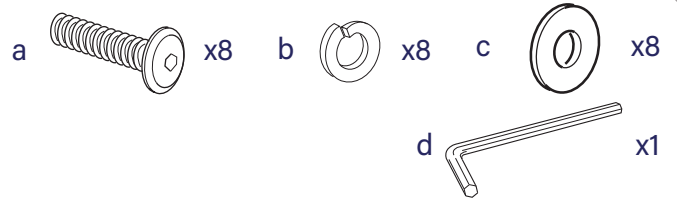


2 Fit the side rails (C & D).

- a  x4
- b  x4
- c  x4
- d  x1



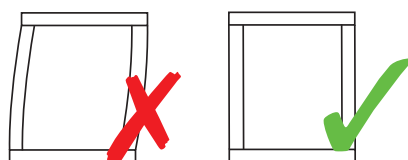
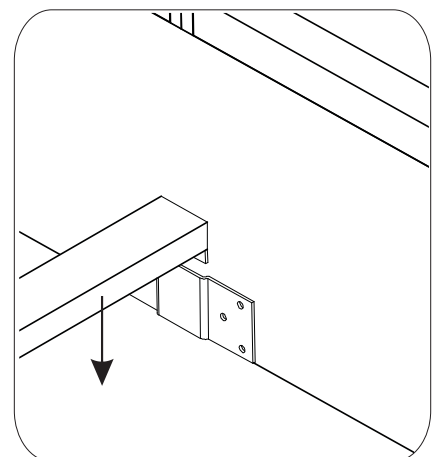
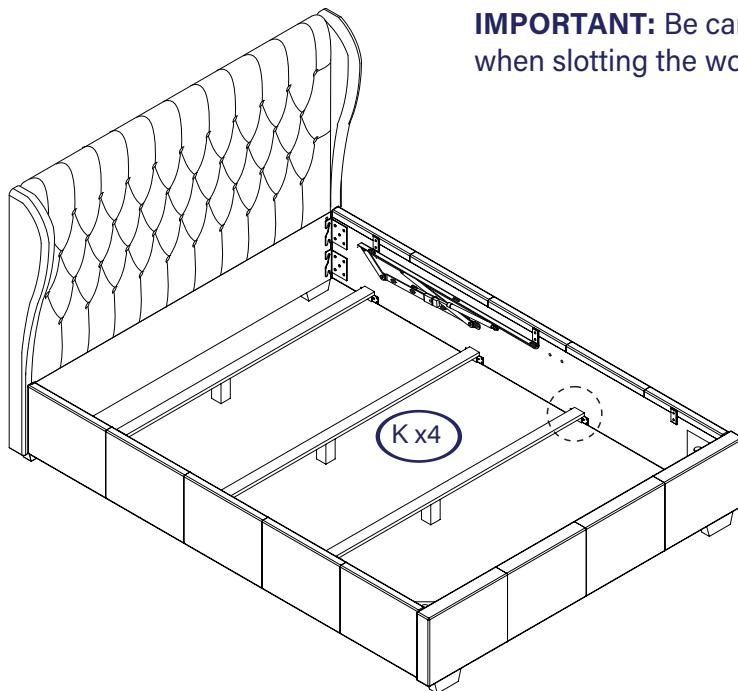
3 Fit the two angled corner brackets (F).



Do not tighten bolts yet

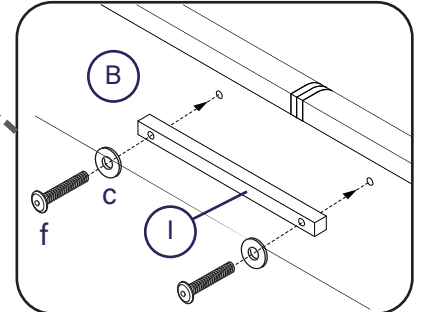
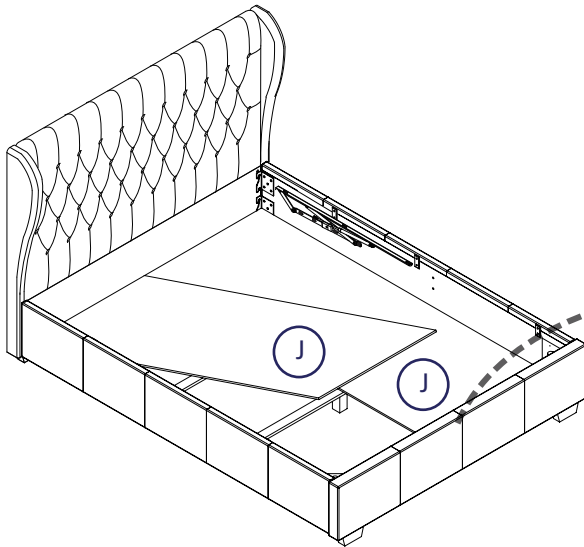
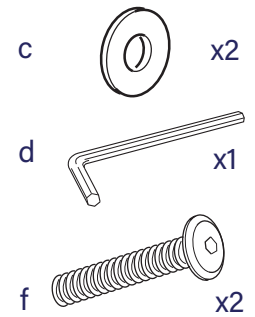
4 Fit the base board support rails (K).

Fit the base board support rails (K) to both side rails.
IMPORTANT: Be careful not to scratch the PU or fabric when slotting the wooden supports into the side rail brackets.



Make certain the bed is squared up as shown in the diagram then tighten all bed assembly bolts 100%.

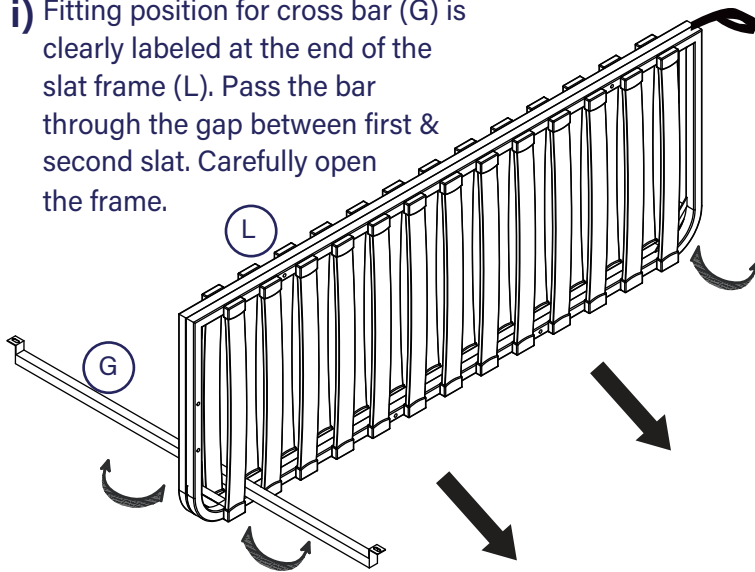
5 Fit the slat frame support rail (I) and the storage base boards (J).



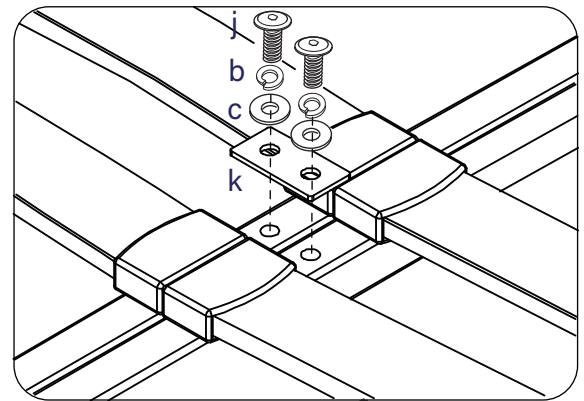
6 Prepare the metal slat frame (L).



i) Fitting position for cross bar (G) is clearly labeled at the end of the slat frame (L). Pass the bar through the gap between first & second slat. Carefully open the frame.

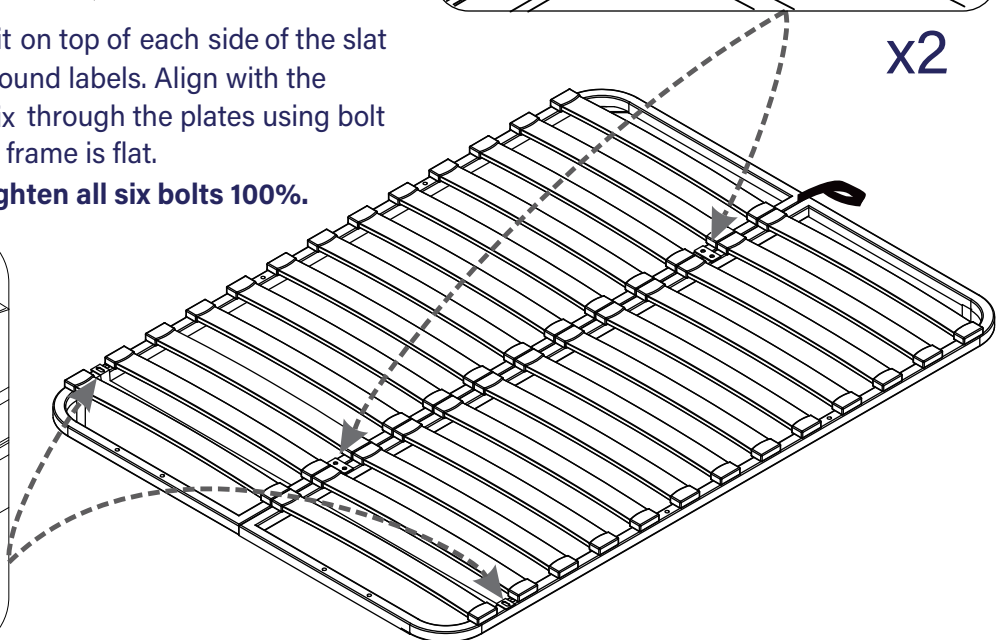
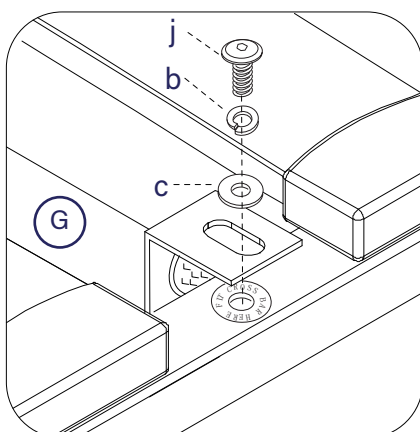


ii) To top of the slat frame fit two connection plates (k). Using four bolt sets (j, b & c) screw into the threaded inserts on top of the frame. **Please do not tighten 100% yet.**

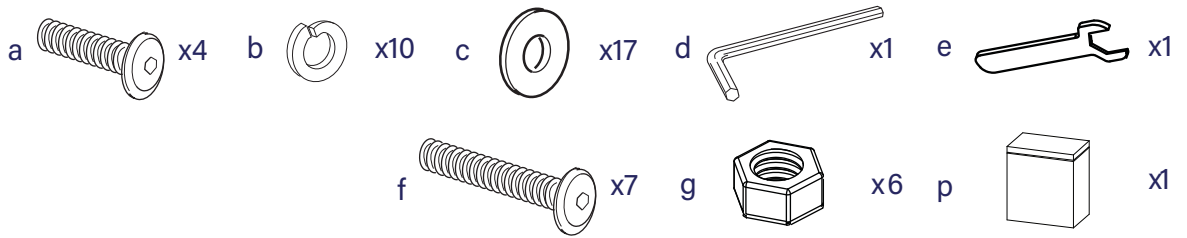


iii) The cross bar fixing plates sit on top of each side of the slat frame, sit the plates on the round labels. Align with the threaded holes and loosely fix through the plates using bolt sets (j, b & c). Make sure the frame is flat.

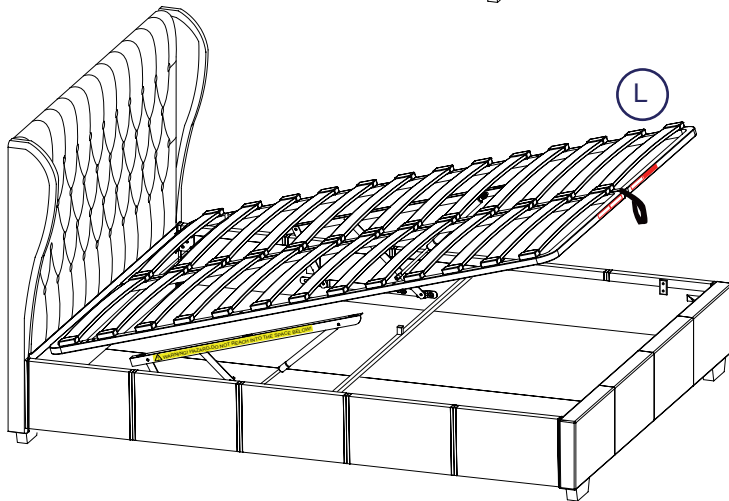
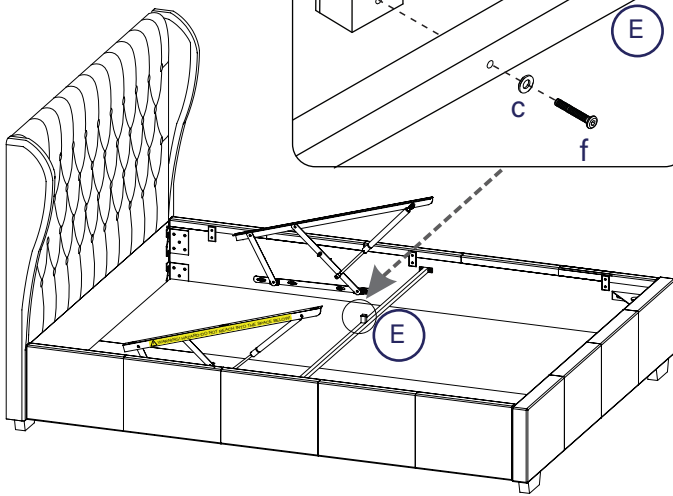
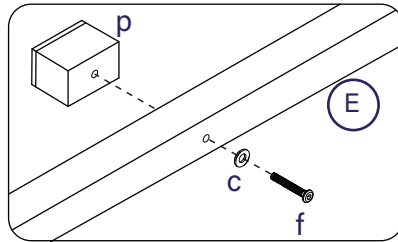
Using Allen key (d), now tighten all six bolts 100%.



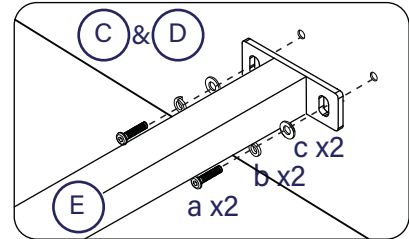
7 Fit the side rail cross bar (E).



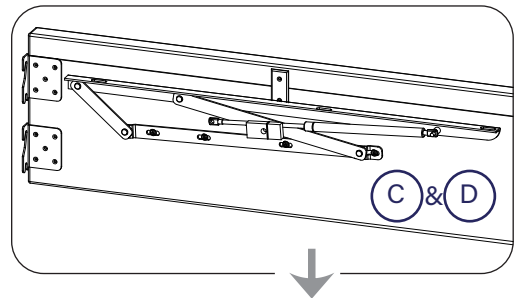
i) Fit the support block (p) in the centre of the side rail cross bar (E) using a bolt & flat washer (f & c). **Tighten 100% using Allen key (d).**



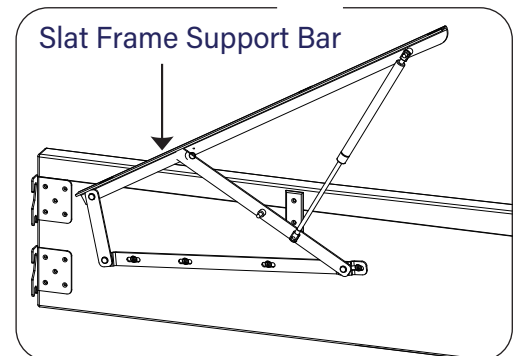
ii) Using four bolt sets (a, b & c), fit the side rail support bar (E) to both side rails (C&D). **Tighten 100% using Allen key (d).**



iii) Un-tie the hinge mechanism, and take out the transit block.



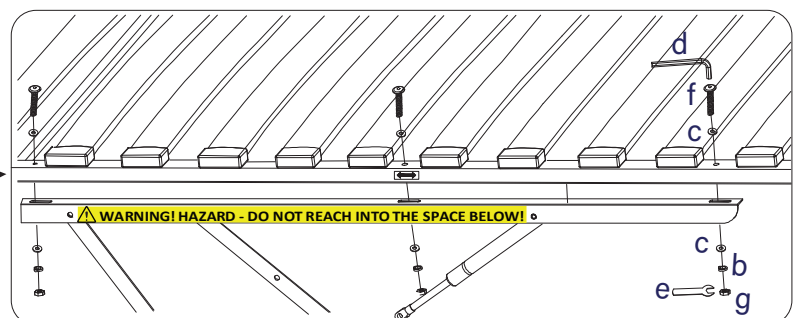
iv) Lift the bars.



v) With help from an assistant, lift the slat frame (L) onto the slat frame support bars aligning first set of holes on slat frame with first set of holes in support bars (nearest to headboard).

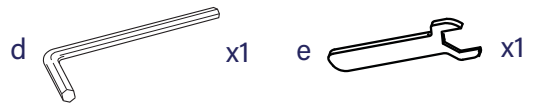
vi) Using three bolt sets on each side (f, c, c, b & nut g), loosely fit the slat frame to the support bars.

Do not tighten fully yet.

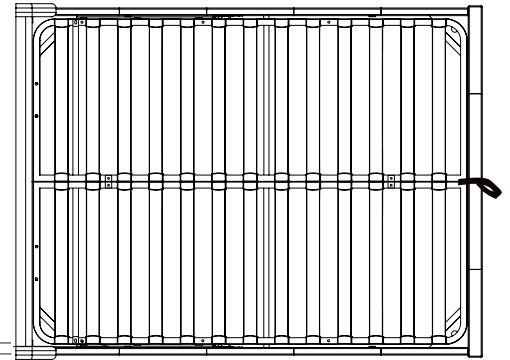
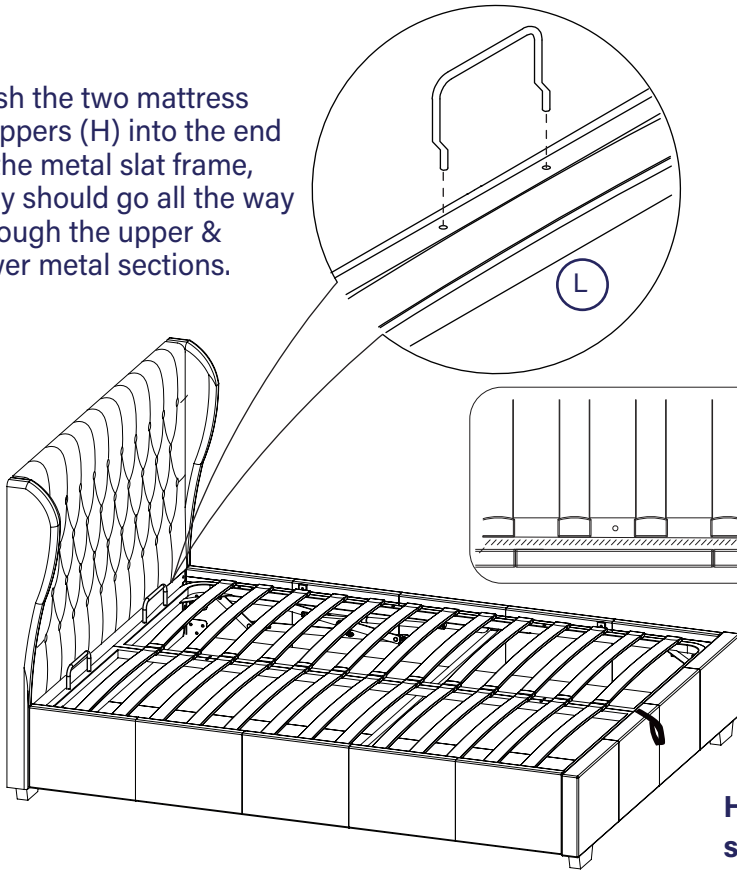


Bolt into centre of long holes

8 Fit the accessories.



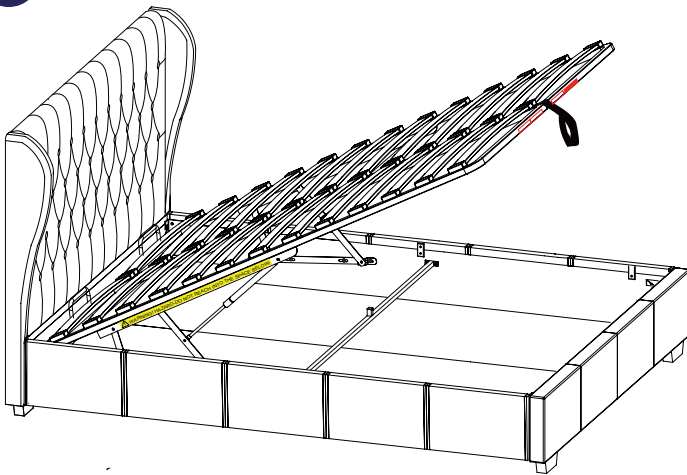
Push the two mattress stoppers (H) into the end of the metal slat frame, they should go all the way through the upper & lower metal sections.



Carefully lay frame down making sure there is an even gap all round as in the sketch.

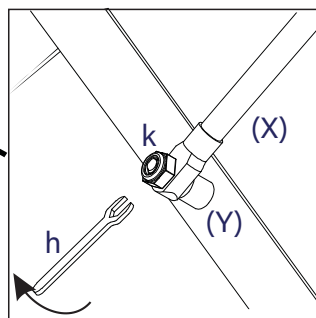
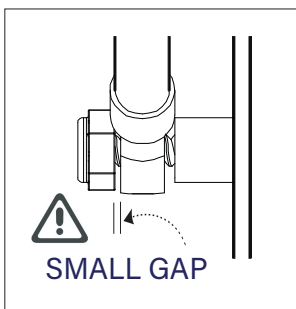
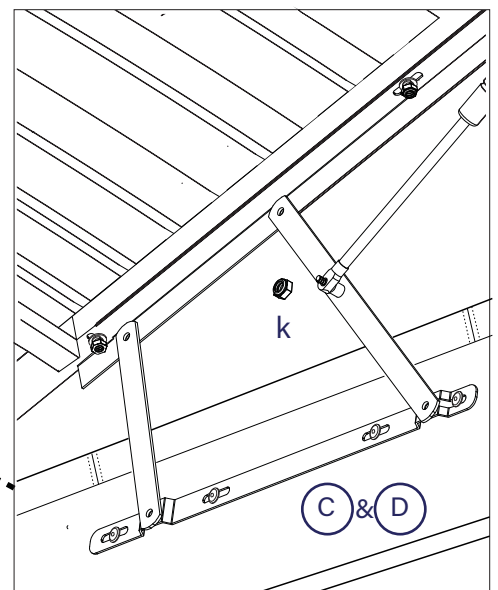
Hold frame securely then tighten all six bolt sets 100% using spanner (e) & allen key (d).

9 Fit the lower piston stems.



During this next step, the assistant should hold up the slat frame. On side rails (C&D) slide gas-lift piston stems (X) onto the axles (Y) then fit the flange lock-nuts (k).

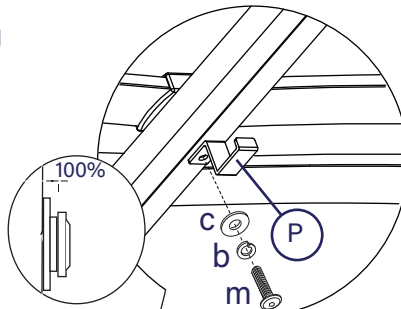
Tighten nuts with spanner (h) - but do not over-tighten. A small gap is needed so stems can move freely - this is important - see sketch below left.



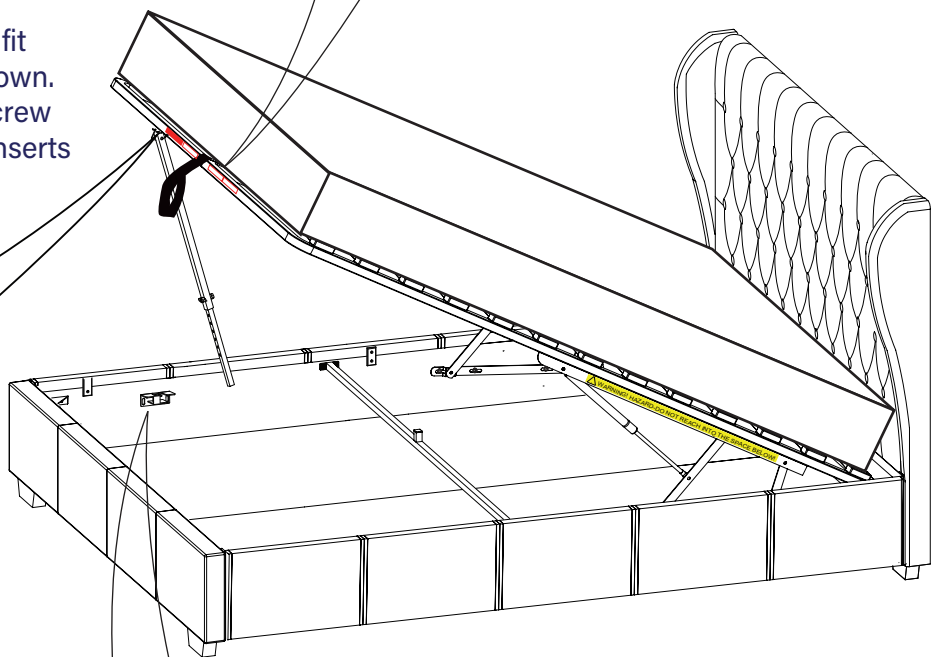
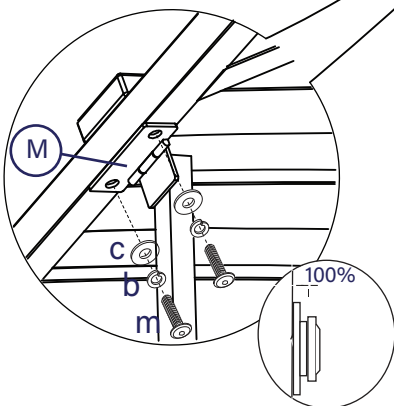
10 Unpack the contents of the Ottoman Support Bar (O.S.B.) from its carton - this is packed inside Pack 2.



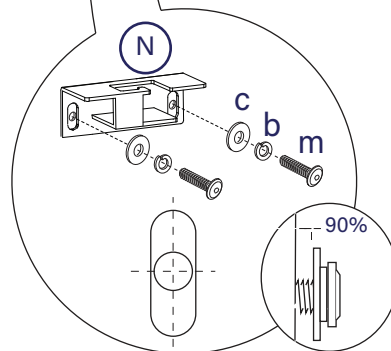
i) To underneath of the slat frame, fit the parking bracket (P). This is used to safely keep the support bar out of the way when not in use. Use one bolt set (m, b & c) - please make sure the bracket is fitted the correct way round as shown. Screw into the threaded insert on the underside of the frame.



ii) To underneath of the slat frame, fit the O.S.B. support bar (M) as shown. Using two bolt sets (m, b & c), screw the bolts into the threaded inserts on the underside of the frame. **Please do tighten 100% yet.**

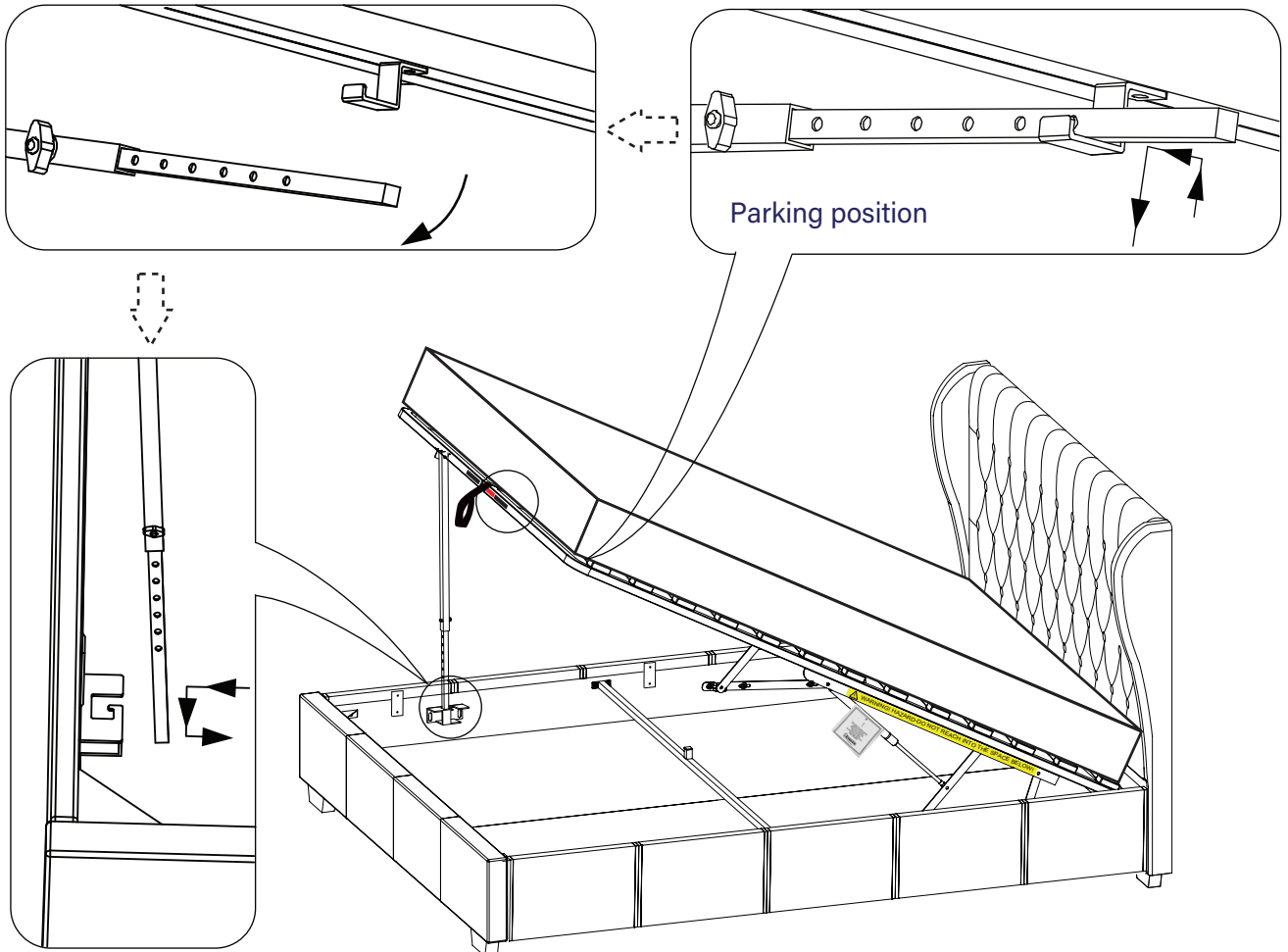


iii) Fit the fixed retaining bracket (N) to the side rail using two bolt sets (m, b, & c). Screw the bolts into the threaded inserts on the side rail. Make certain the bracket is level and at the correct height. **Please do not tighten 100% yet.**

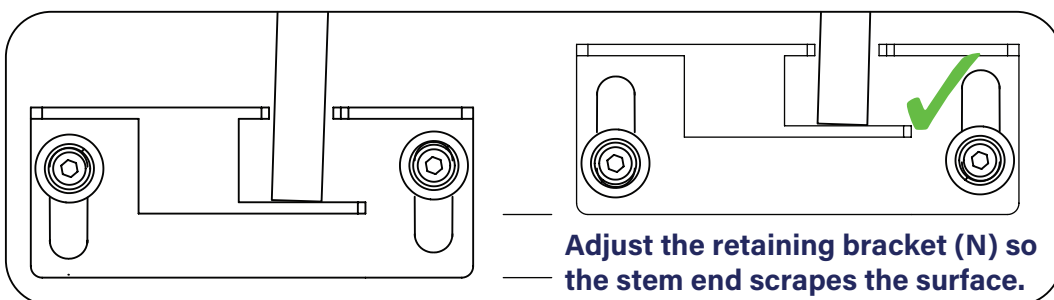
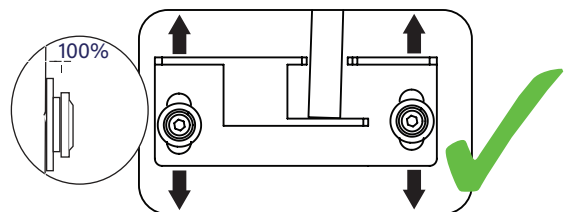
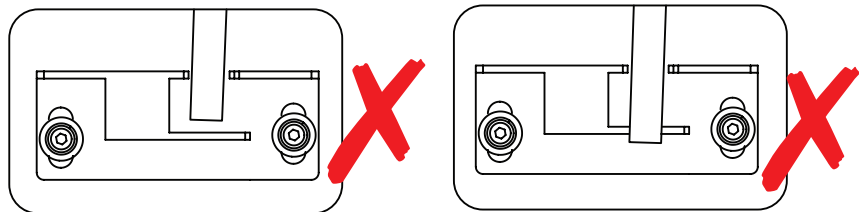
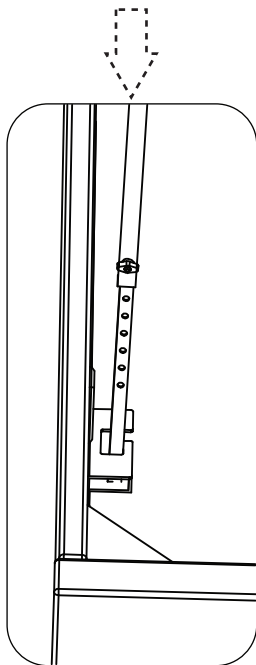


iv) The bolts should be in the centre of the long holes and one may need to slide the inner bar and the bracket, up or down so the bottom of the O.S.B stem just touches the surface - better to do this AFTER the mattress is fitted.

11 Setting the inner stem of the support bar (M), adjust the inner stem to the correct length.



Set the inner stem to the correct length so the end just touches the retaining bracket - it needs to touch to hold it in position.



Adjust the retaining bracket (N) so the stem end scrapes the surface.

Technical Specifications

Overall Dimensions (LWH cm)

Double: 207.5 x 148 x 121

King: 215.5 x 163 x 121

Internal Dimensions (LWH cm)

Double: 193 x 138 x 19

King: 202 x 153 x 19

Distance between slats (cm)

Double: 9

King: 8.7

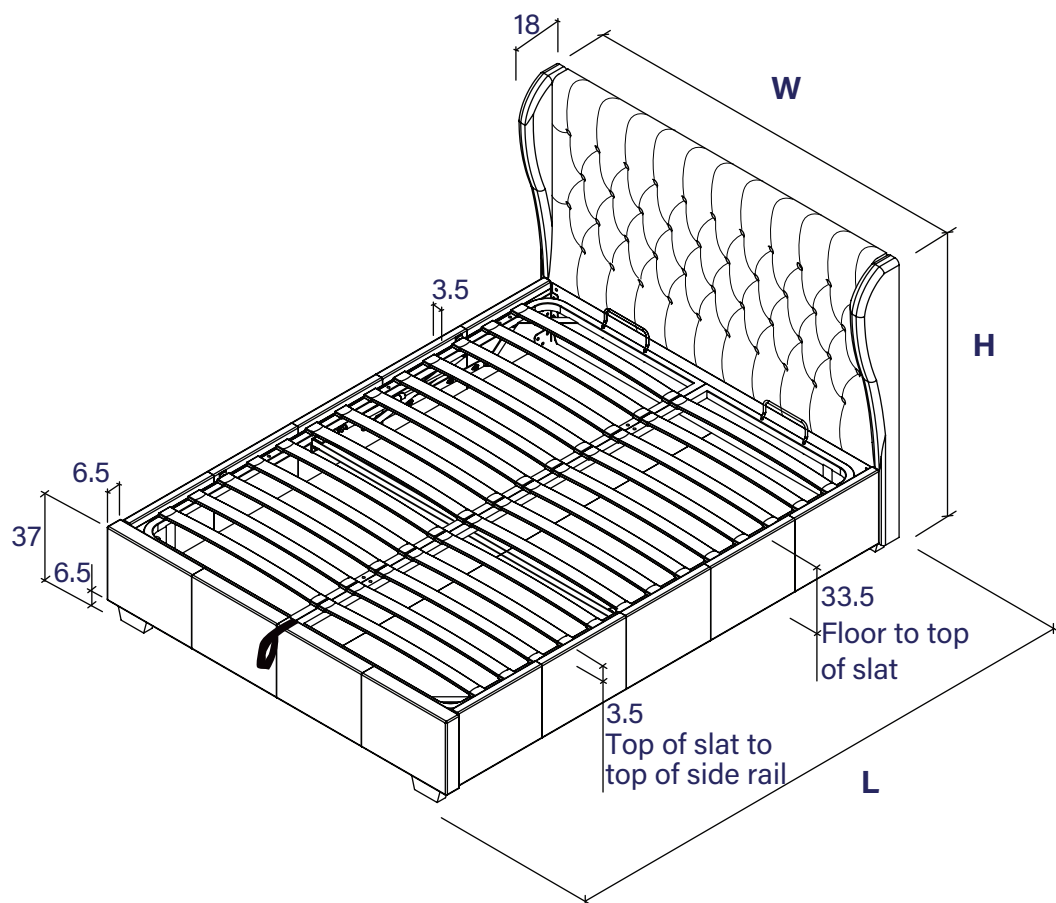
Ottoman Piston Rating

Double & King: 900n

Slat Dimensions (LWH cm)

Double: 67 x 5.3 x 0.9

King: 74.5 x 5.3 x 0.9



Care and maintenance

Here are some tips to keep your new bed in tip-top condition



Cleaning

To clean your new bed, we'd advise using a warm damp cloth or if fabric, remove dust using a low suction vacuum cleaner - please do not use abrasive chemicals or bleach as this may damage the product.



Checking and moving

Periodically we recommend you check that the screws or fixtures haven't become loose, over time. To move your new bed, we recommend lifting it where possible, as dragging or pushing it could cause damage to your flooring.



Wood

Please note each of our wooden pieces are unique, meaning that markings and shade can vary slightly between beds. Over a period of time, the wood might lighten or fade slightly due to light exposure.



Fabric

Please note depending on the lighting, positioning and surroundings of your room, the shade of the colour can sometimes appear slightly different. Over a period of time the colour might lighten or fade slightly due to light exposure.



Metal

Metal tends to be more resilient to everyday wear and tear. We recommend to gently dust your metal furniture and keep it dry to maintain its look.

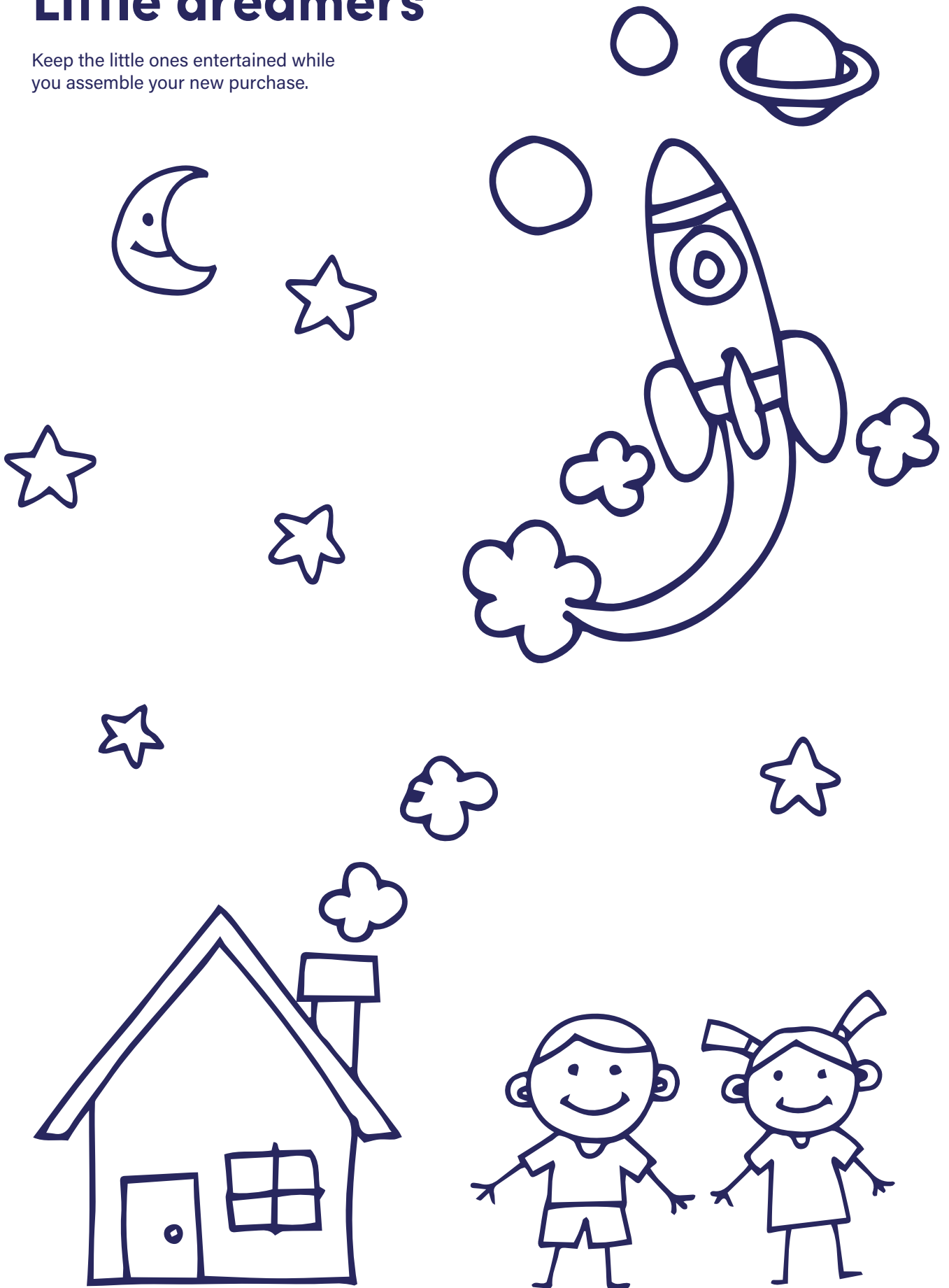
Thank you for shopping with us - we hope you have a great night's sleep

Sleep well



Little dreamers

Keep the little ones entertained while you assemble your new purchase.



Dreams