






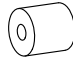

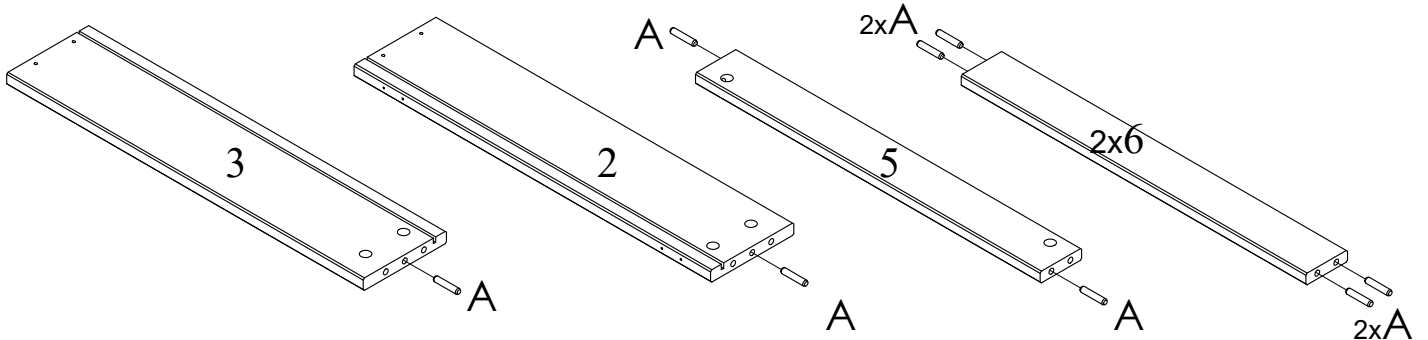
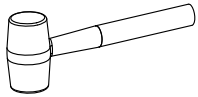


A		8x40	x12
B		7x34	x6
C		D15x12	x6
D		3,5x40	x4
E		D26	x4

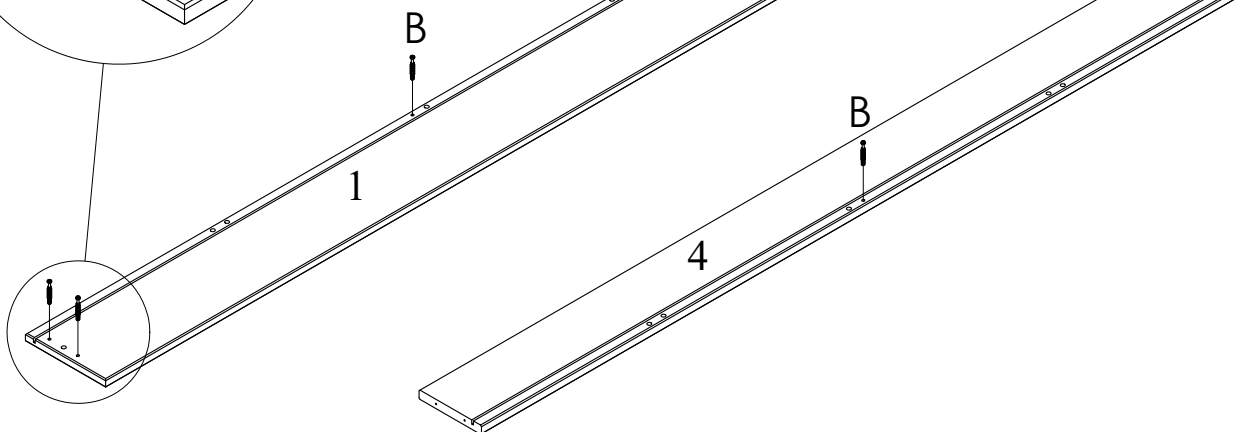
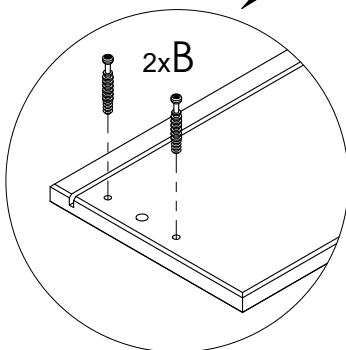
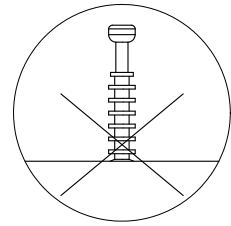
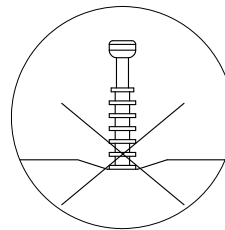
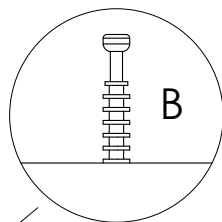
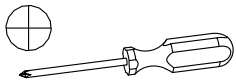
F		3,5x16	x8
G		1695 mm	x1
H		D19x19	x2
J		4x35	x2


1



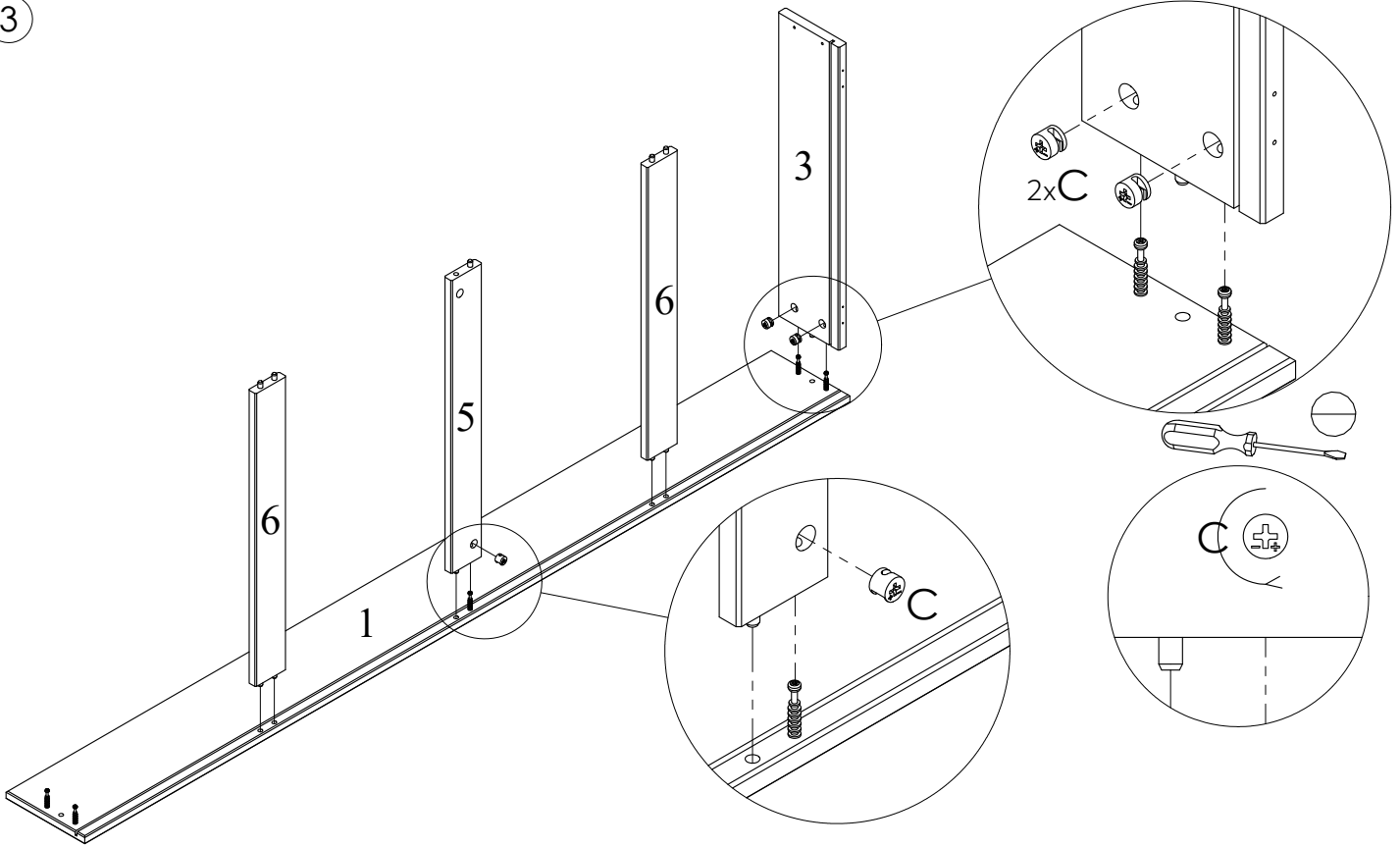
A		8x40	x12
---	-------------------------------------------------------------------------------------	------	-----


2



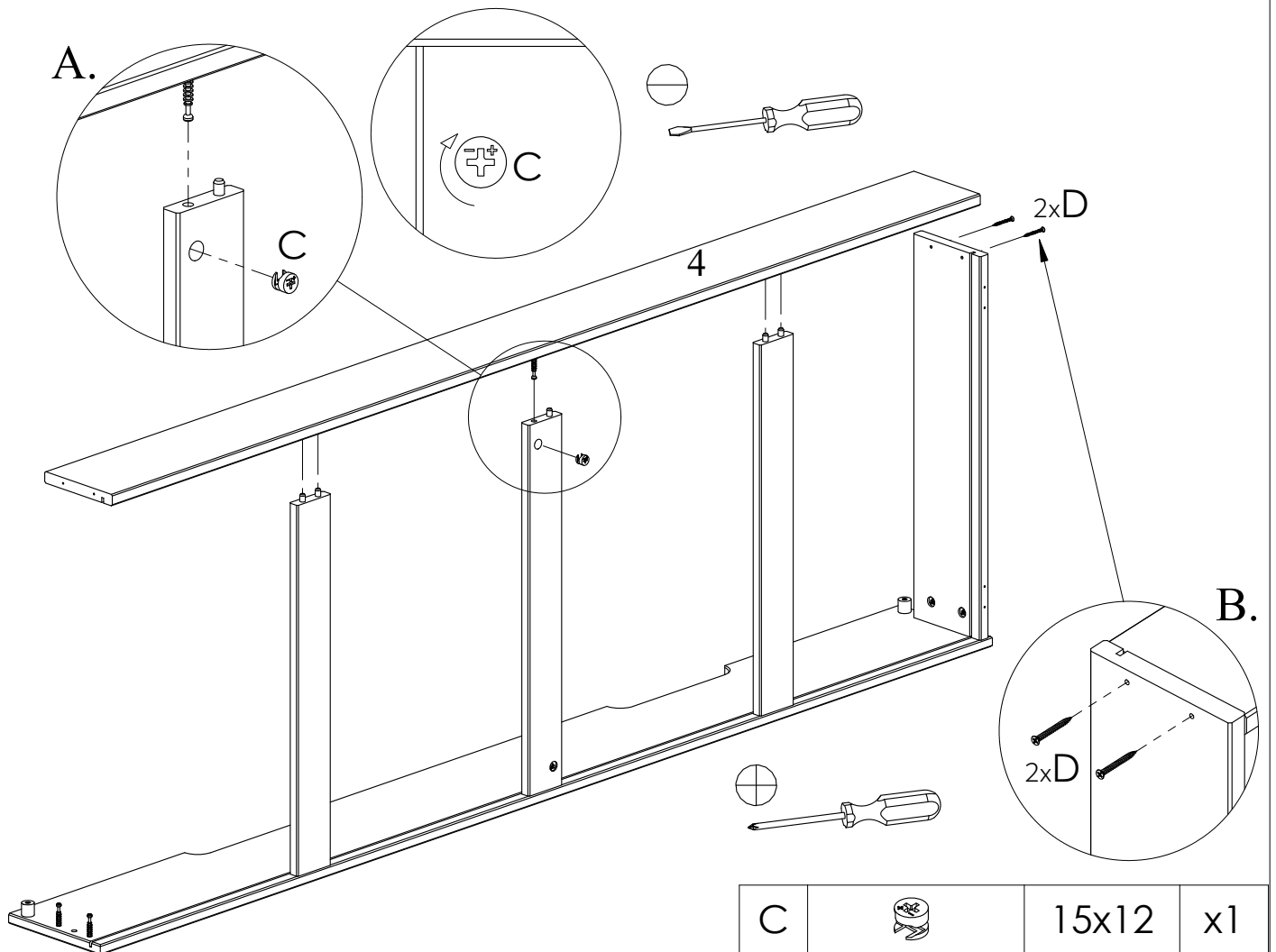
B		7x34	x6
---	---------------------------------------------------------------------------------------	------	----



3



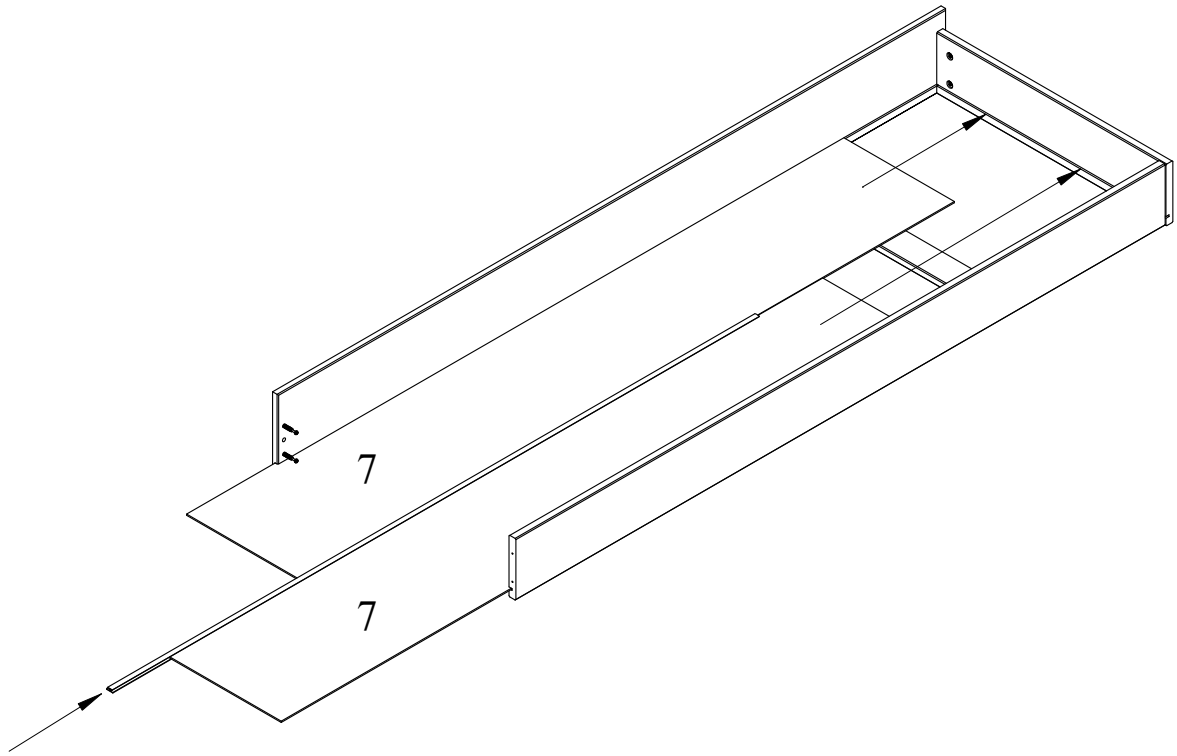
C		15x12	x3
---	--------------------------------------------------------------------------------------	-------	----


4



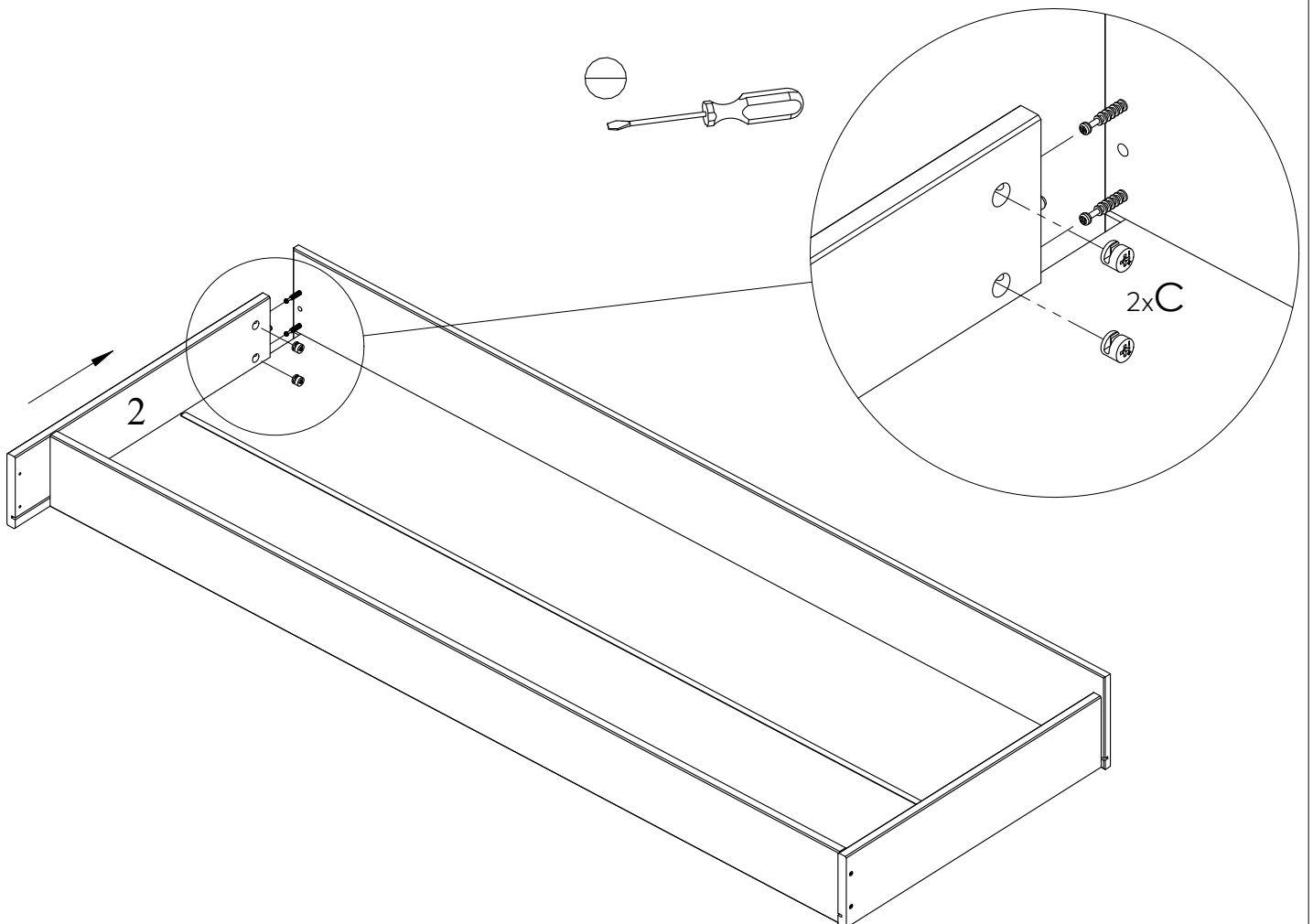
C		15x12	x1
D		3,5x40	x2

5



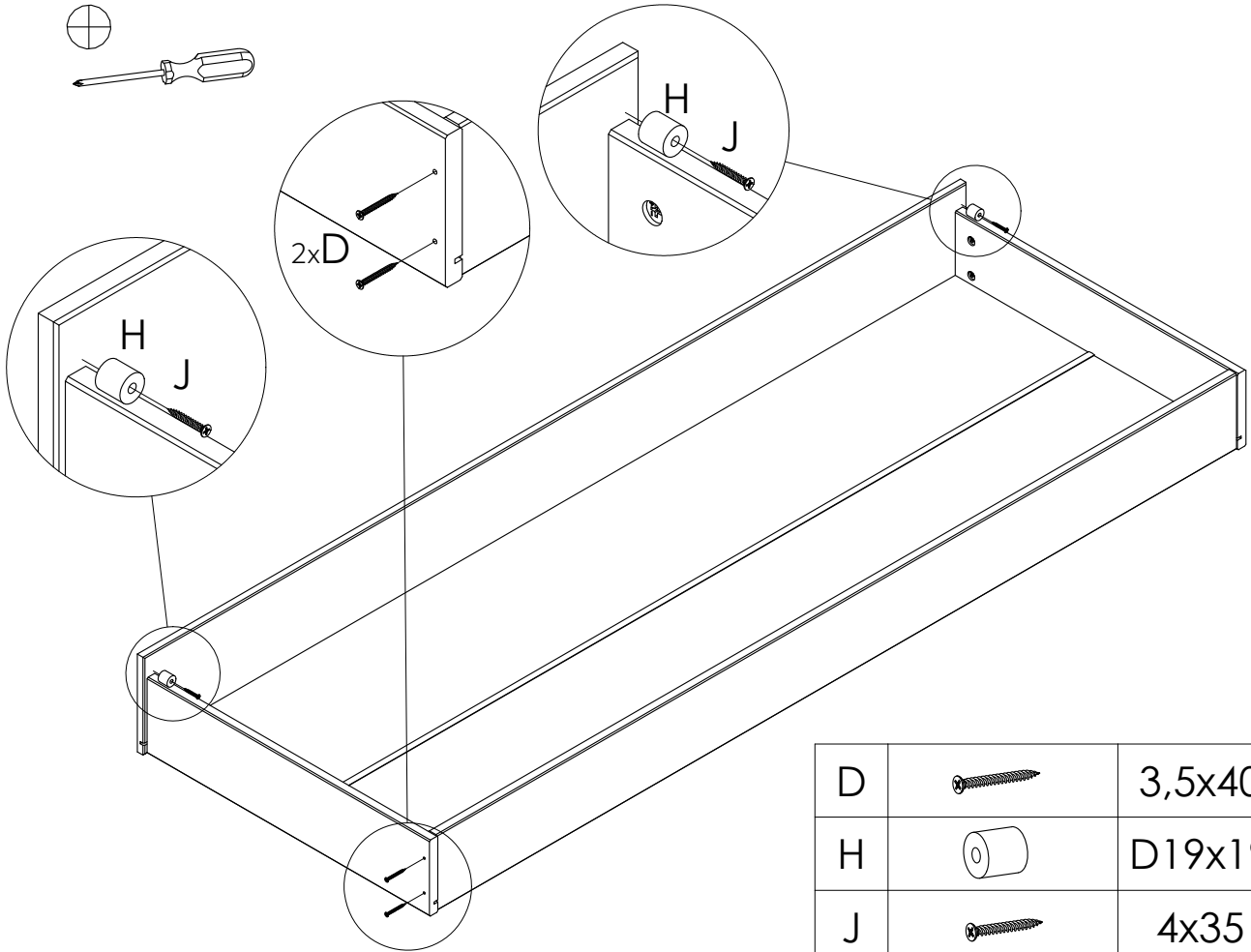
G		1695 mm	x1
---	------------------------------------------------------------------------------------	------------	----

6



C		D15x12	x2
---	---------------------------------------------------------------------------------------	--------	----

7



8

