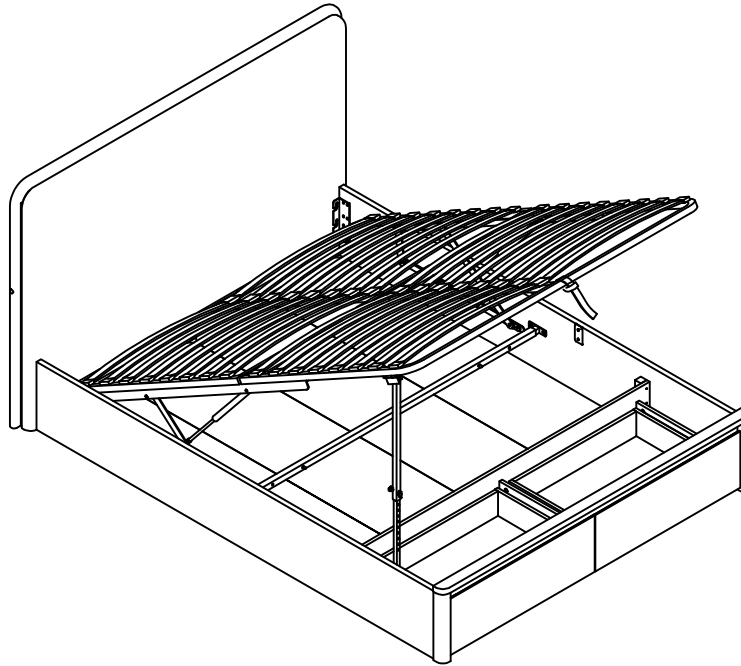


# Roman Double & King Bed



**Important - read this guide carefully and retain for future reference.**

## Ottoman Safety Warnings

- **Ensure the combined bedding and mattress weight is within the recommended weight guidance.**
- **Adult Operation Only:** Not recommend for use by under 12 years old. Please note ease of operation is dependent on height and strength of user.
- **Avoid Entrapment:** Always lift the bed with the mattress in place, using the handle to lift and lower the base, keeping clear of the mechanism.
- **Fully Open Ottoman:** Ensure the ottoman is fully open before accessing the storage area.
- **Avoid Hinge Area:** Do not reach into the storage area through the hinge mechanism.
- **Keep Children and Pets Away:** Ensure children and pets stay away from the storage area. Do not stand inside the internal storage area of the bed.
- **Maintenance-** Regularly inspect your bed to ensure it is functioning correctly.

## Recommended mattress weight for safe operation

Bed	Bed Size	Min (kg)	Max (kg)
Roman (manual)	Double	20	42
	King	24	50



1.5 hour approx  
assembly time



Two person  
assembly

# Dreams

Love your bed

# Thank you

Hello, thanks for choosing to purchase your bed from Dreams - you're now on your way to your best Ever night's sleep. Before you begin building your bed, please take a moment to read through the Instructions and make sure that you've got all the relevant parts listed on the following pages.



## Assembly tips

Before you begin, it's best to identify all parts and fittings to build your bed. We advise laying these out on the floor to check you have everything, and familiarising yourself before building.



## Top tip

We recommend that you build your new bed in the room you'd like it to be Located - this will help prevent any risk of damage to your newly built bed Whilst moving it .



## Safety and care

It's really important to ensure children and animals are kept away from the assembly area, as there are small components used in this bed which could present a choking hazard, All plastic and wrapping materials should also be kept away from children and animals to prevent any risk of suffocation. To keep your little ones busy, there is a colouring page inside the back cover.



## Help and support

At Dreams, it's our mission to give the whole nation a great night's sleep - this means that the quality of our products is of utmost importance to us. If there are any issues with your product or any missing parts, please visit our website at [www.dreams.co.uk /help](http://www.dreams.co.uk/help)

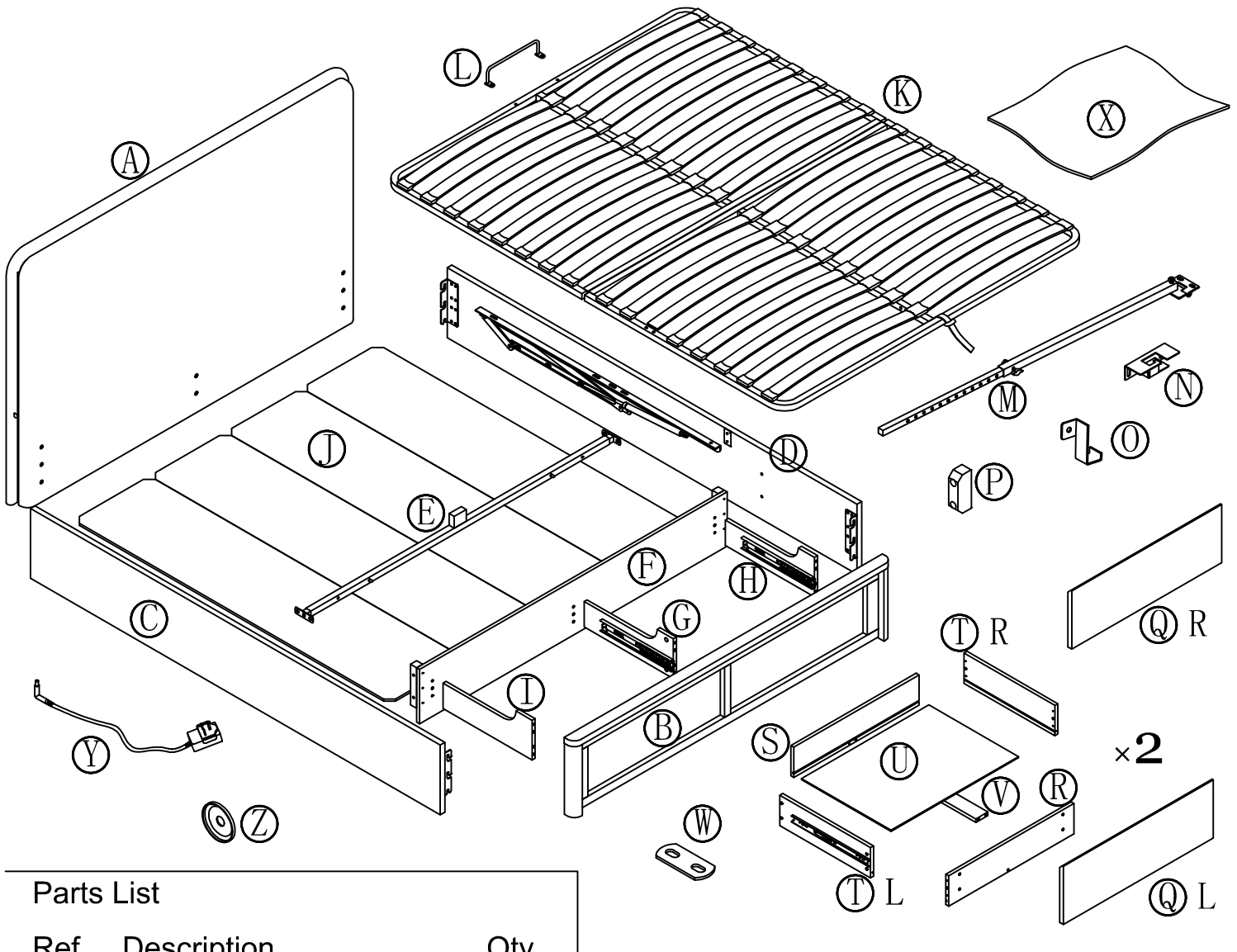


## Recycling

Please ensure that packaging is disposed of in a safe and environmentally friendly way, and recycle where. Please keep your assembly instructions safe to refer back to in the future.

# Parts

The bed you have purchased comes with a metal slat frame lifting from the front



## Parts List

Ref	Description	Qty	Ref	Description	Qty
A.	Headboard	1	N.	Ottoman bracket on side rail	1
B.	Footboard	1	O.	Parking bracket	1
C.	Side Rail (Left)	1	P.	Full Slatted Base Resting Support	1
D.	Side Rail (Right)	1	Q.	Drawer front (L&R)	2
E.	Metal Support Rail	1	R.	Drawer front	2
F.	Center Support Panel	1	S.	Drawer Back Sides	2
G.	Center Panel	1	T.	Drawer Sides(L&R)	4
H.	Side Support Panel (Right)	1	U.	Drawer Bottom	2
I.	Side Support Panel (Left)	1	V.	Drawer Support	2
J.	Base Board	4	W.	Bracket	2
K.	Metal Slat Frame	1	X.	Fabric Back Cover	1
L.	Mattress Stopper	1	Y.	Power Cord	1
M.	Ottoman support bar	1	Z.	Plastic Cap	1

# Fittings

Please check you have all the parts listed below with your product  
Hardware blister pack for fixing bed frame



(a) Bolt (M8×20)  
×14pcs



(b) Bolt (M8×40)  
× 6pcs



(c) Bolt (M6 ×20)  
×14pcs



(d) Jcn Nut (M6×22)  
×2pcs



(e) Nut (M8)  
×2pcs



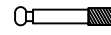
(f) Ø8 Spring Washer  
×26pcs



(g) Ø8 Flat Washer  
×26pcs



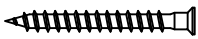
(h) Locking Nut  
×2pcs



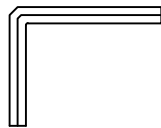
(i) Locking Pin  
×2pcs



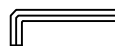
(j) Dowel (Ø8×30)  
×21pcs



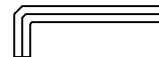
(k) Screw(Ø5×40)  
×30pcs



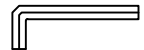
(l) Allen Key(M5)  
×1pc



(m) Allen Key(M3)  
×1pc



(n) Allen Key(M5)  
×1pc



(o) Allen Key(M4)  
×1pc



(p) Spanner  
×1pc

Hardware pack for fixing ottoman support bar (O.S.B)



(c) Bolt (M6 ×20)  
×5pcs



(f) Ø8 Spring Washer  
×5pcs



(g) Ø8 Flat Washer  
×5pcs



## Tools required

Please check you have all these below:

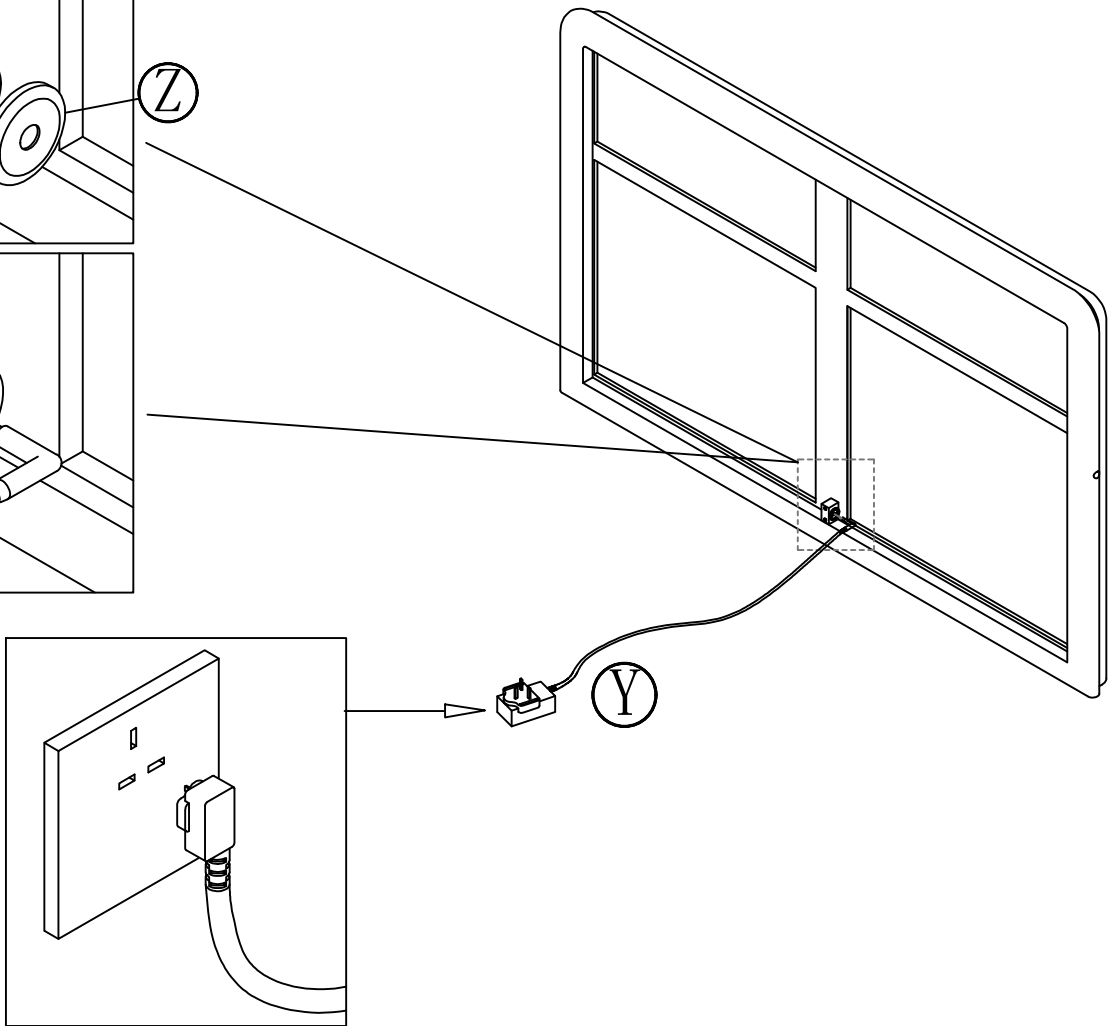
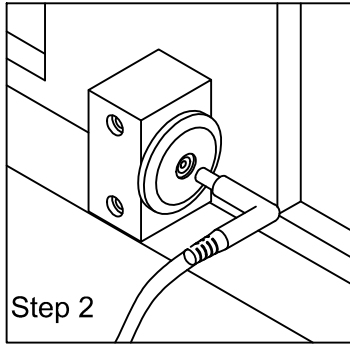
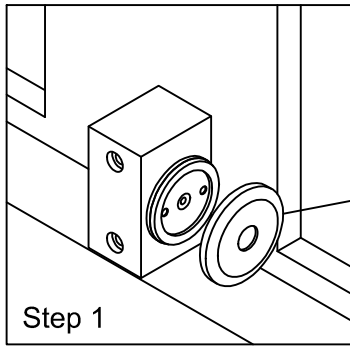


Scissors

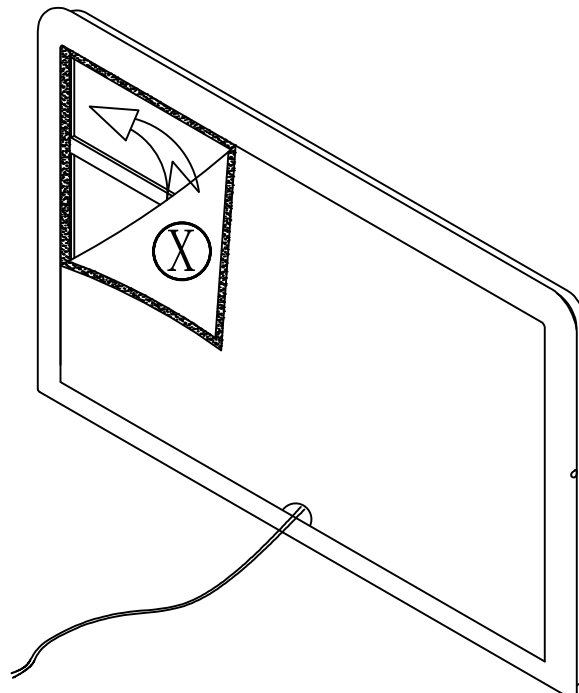


Tape measure

**1** Assembly the power cord (Y).

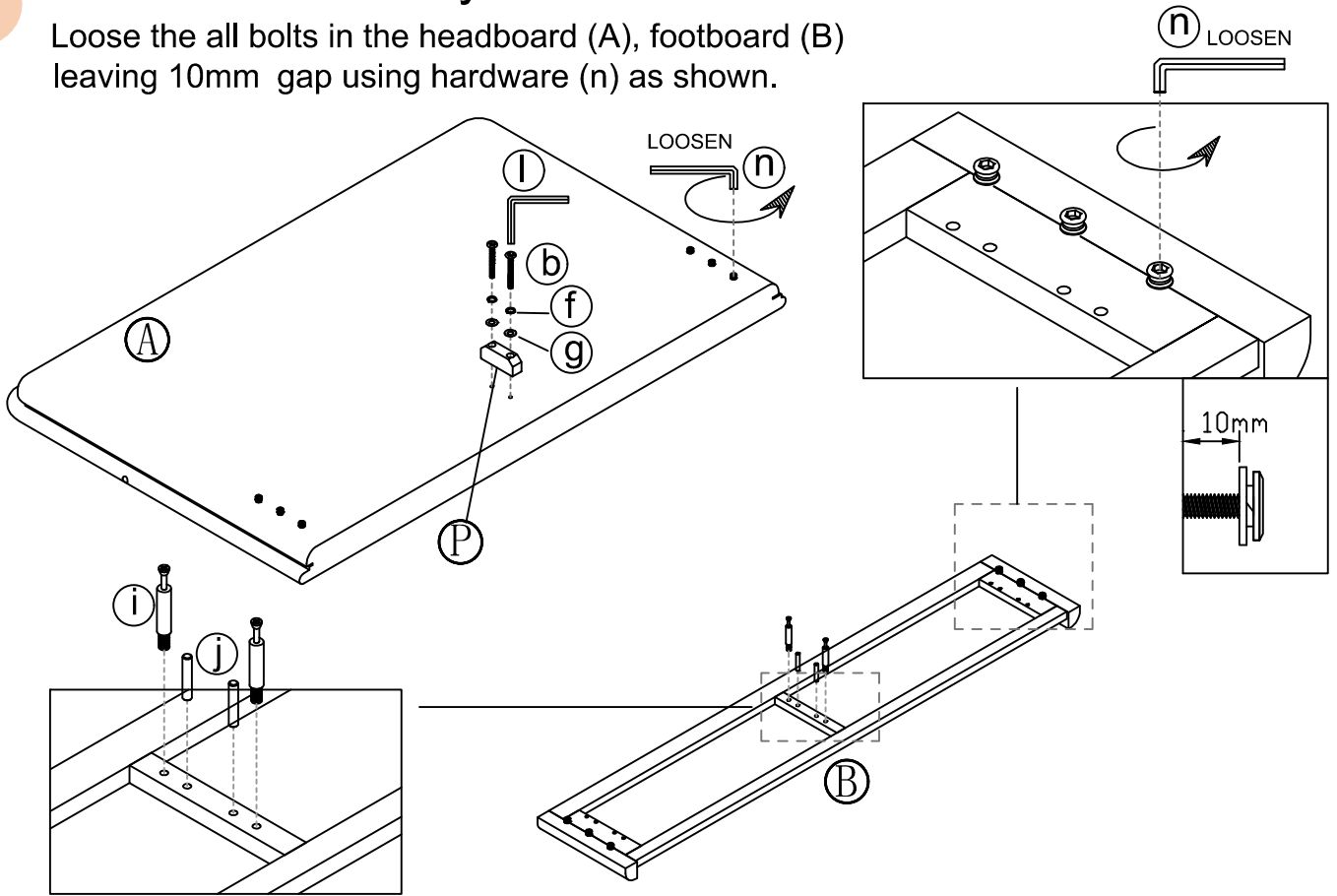


**2** Cover the Fabric (X).

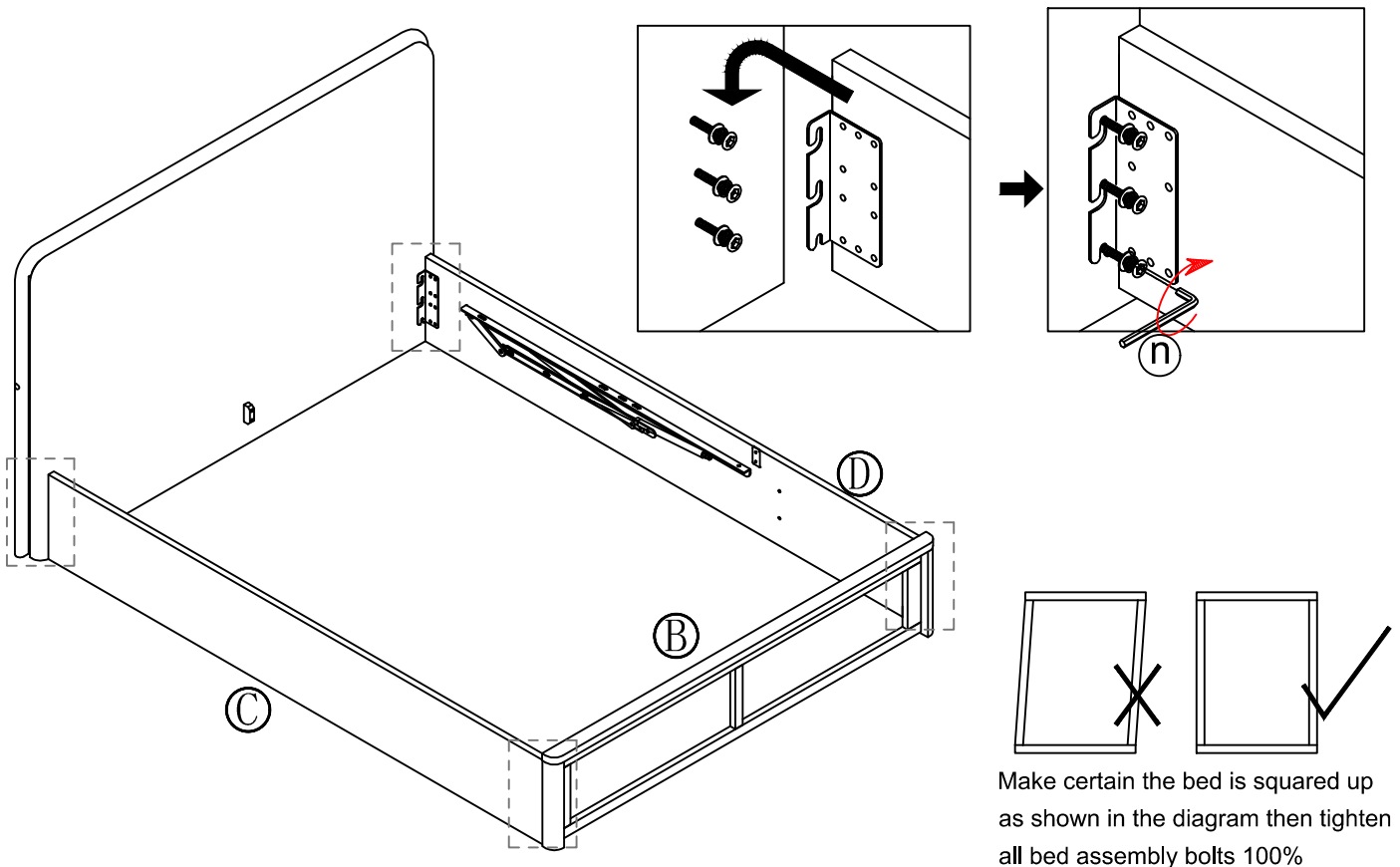


### 3 Ottoman assembly

Loose the all bolts in the headboard (A), footboard (B) leaving 10mm gap using hardware (n) as shown.

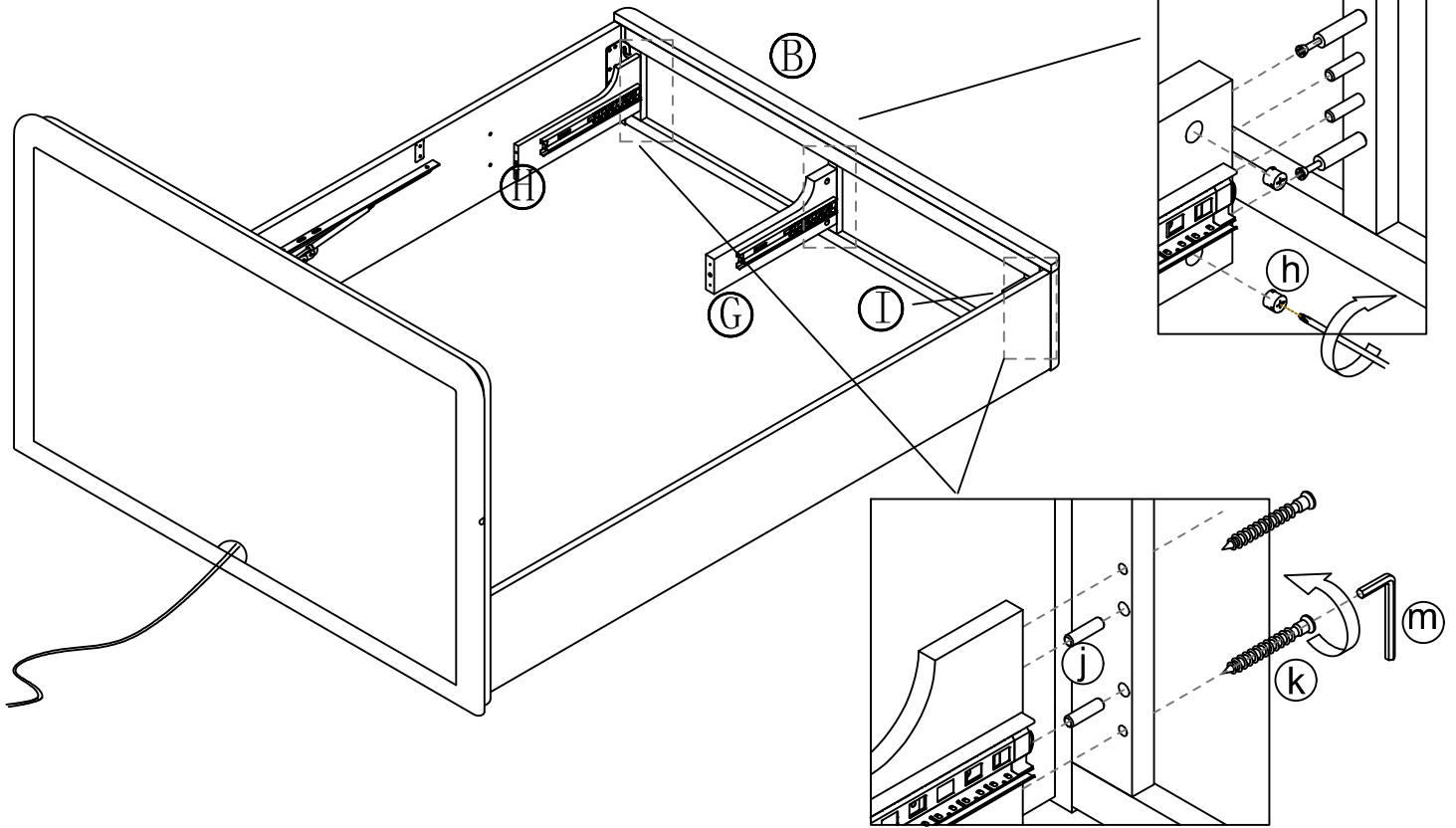


4 Hook the side rails (C) (D) over the bolts in the headboard (A) and footboard (B) Tighten the all bolts using hardware (n) as shown.

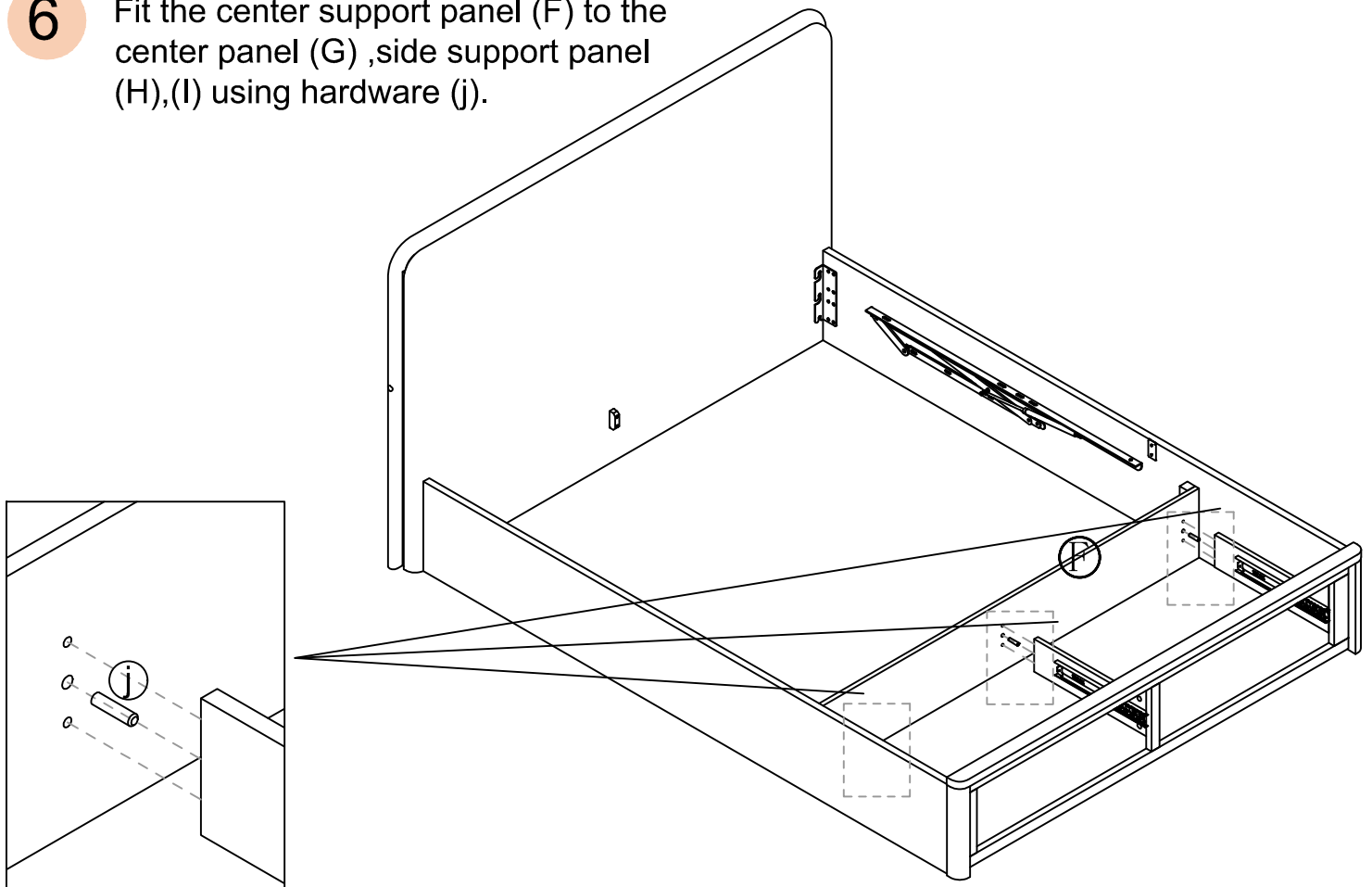


## 5 Ottoman assembly

Fit the center panel (G), side support panel (H),(I) to the footboard (B) using hardware (h), (k),(j) and (m) as shown.

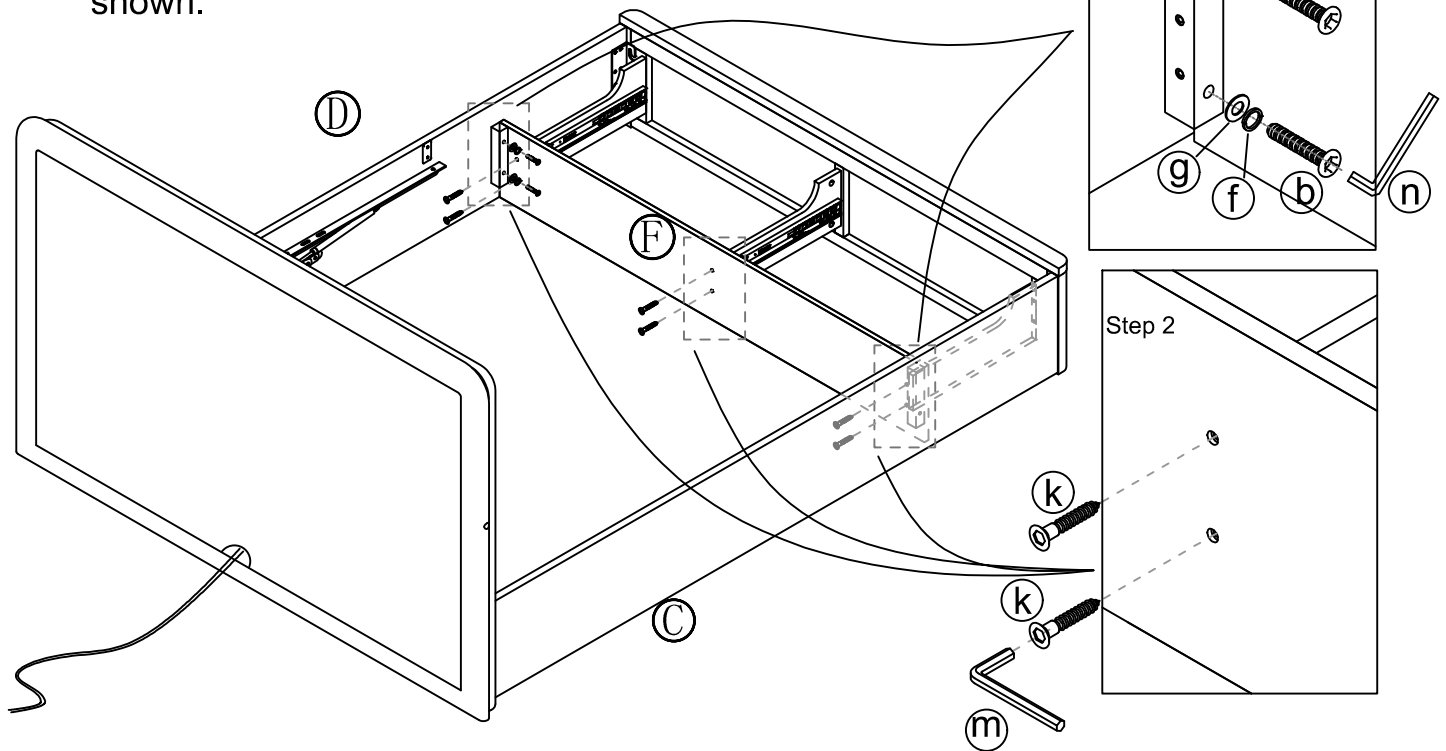


6 Fit the center support panel (F) to the center panel (G), side support panel (H),(I) using hardware (j).



## 7 Ottoman assembly

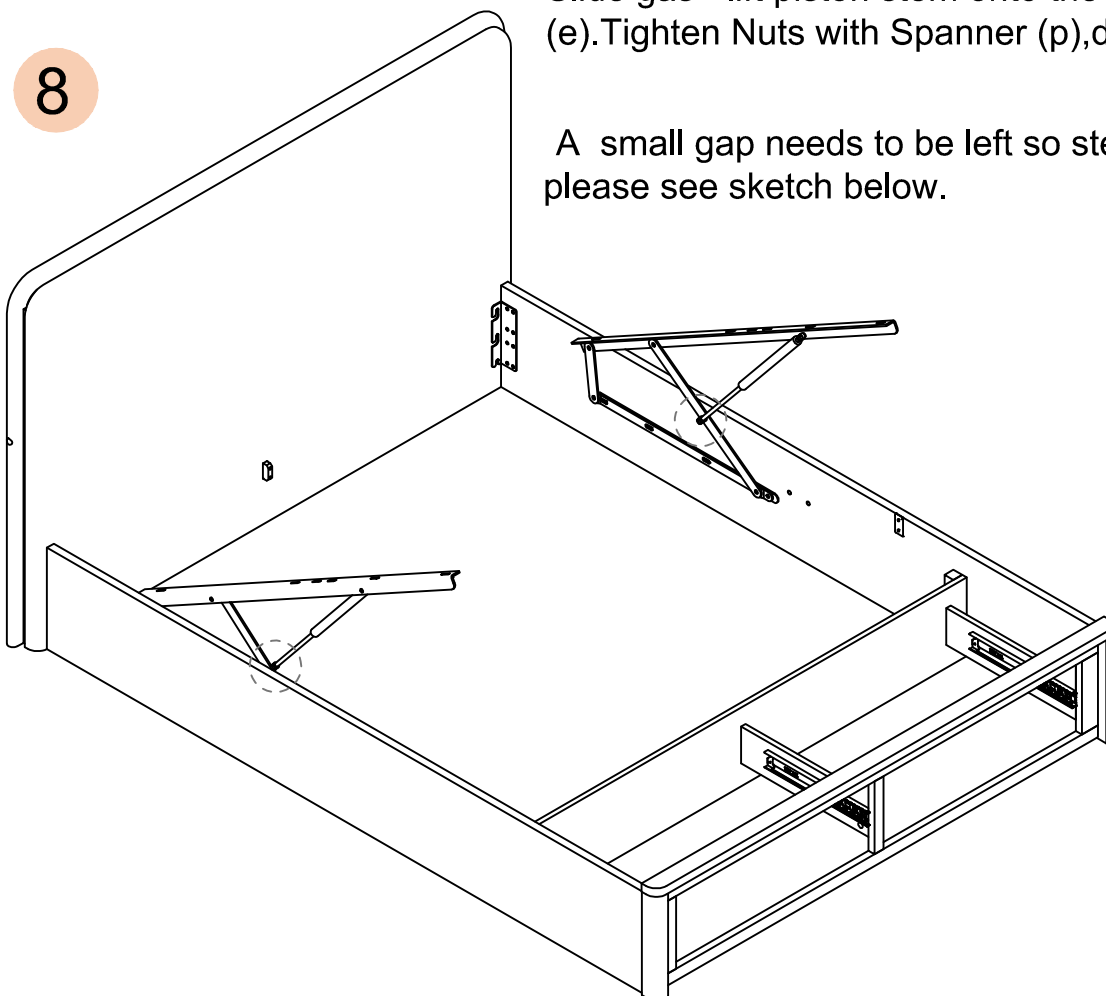
Fit the center support panel (F) to the side rail (C), (D) and panel (G),(H),(I) using hardware (b), (f),(g),(n) and (k),(m) as shown.



## 8

Slide gas - lift piston stem onto the axle then fit the Nuts (e). Tighten Nuts with Spanner (p), do not over - tighten.

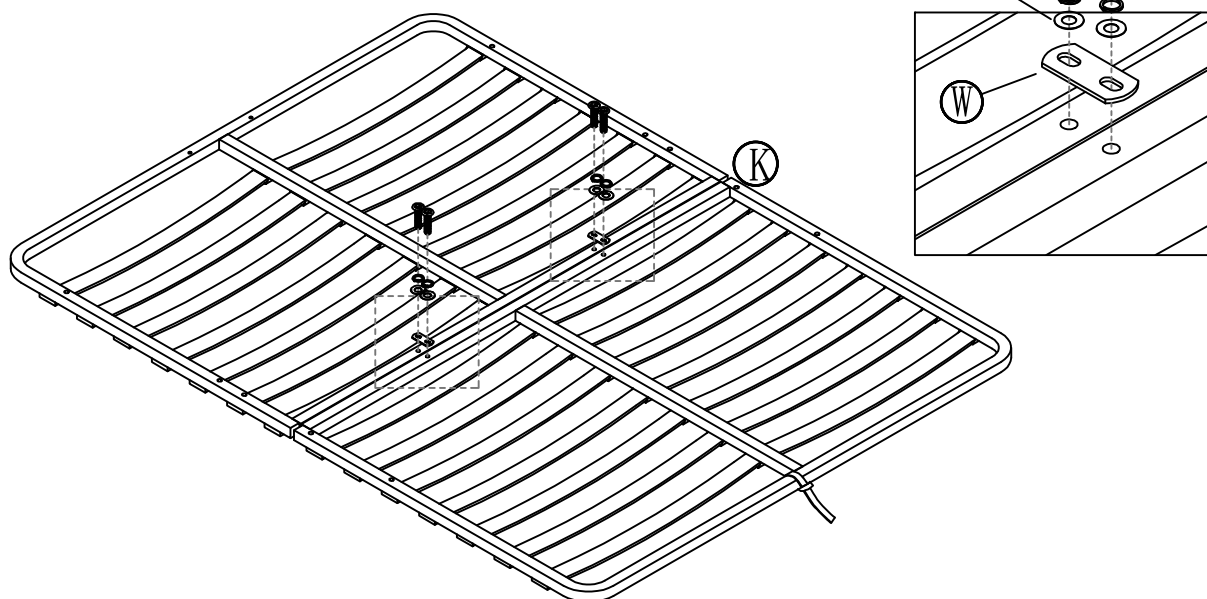
A small gap needs to be left so stem can move freely, please see sketch below.



## Ottoman assembly

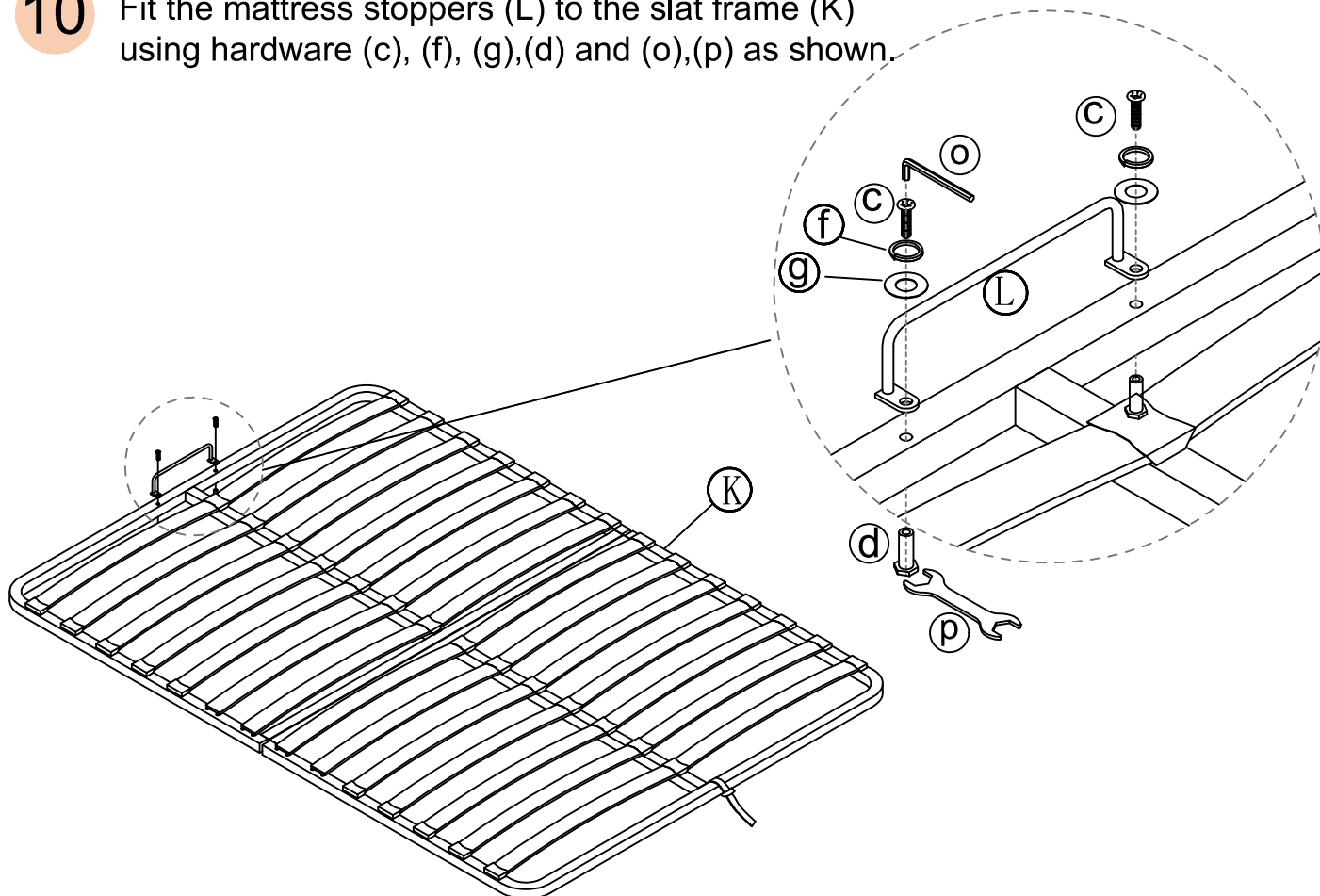
9

Fit the bracket (W) to the slat frame (K) using hardware (c),(f),(g) and (o) as shown.



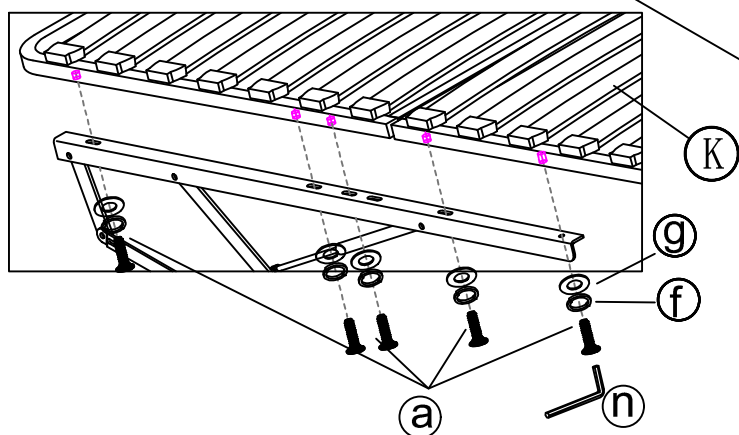
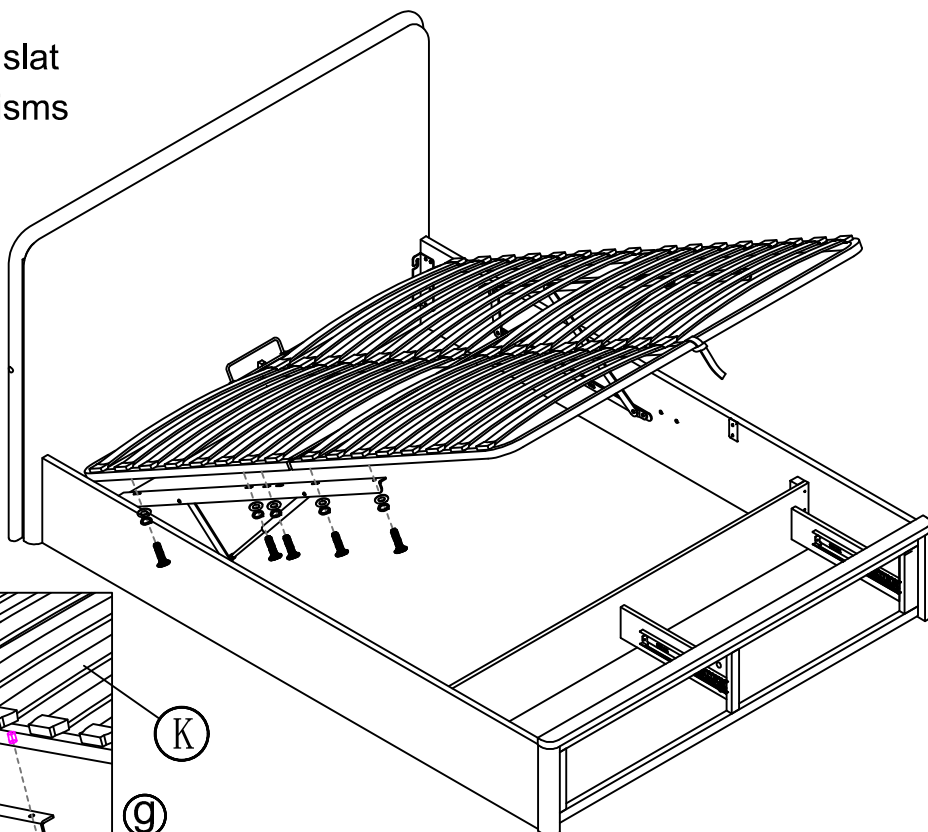
10

Fit the mattress stoppers (L) to the slat frame (K) using hardware (c), (f), (g),(d) and (o),(p) as shown.



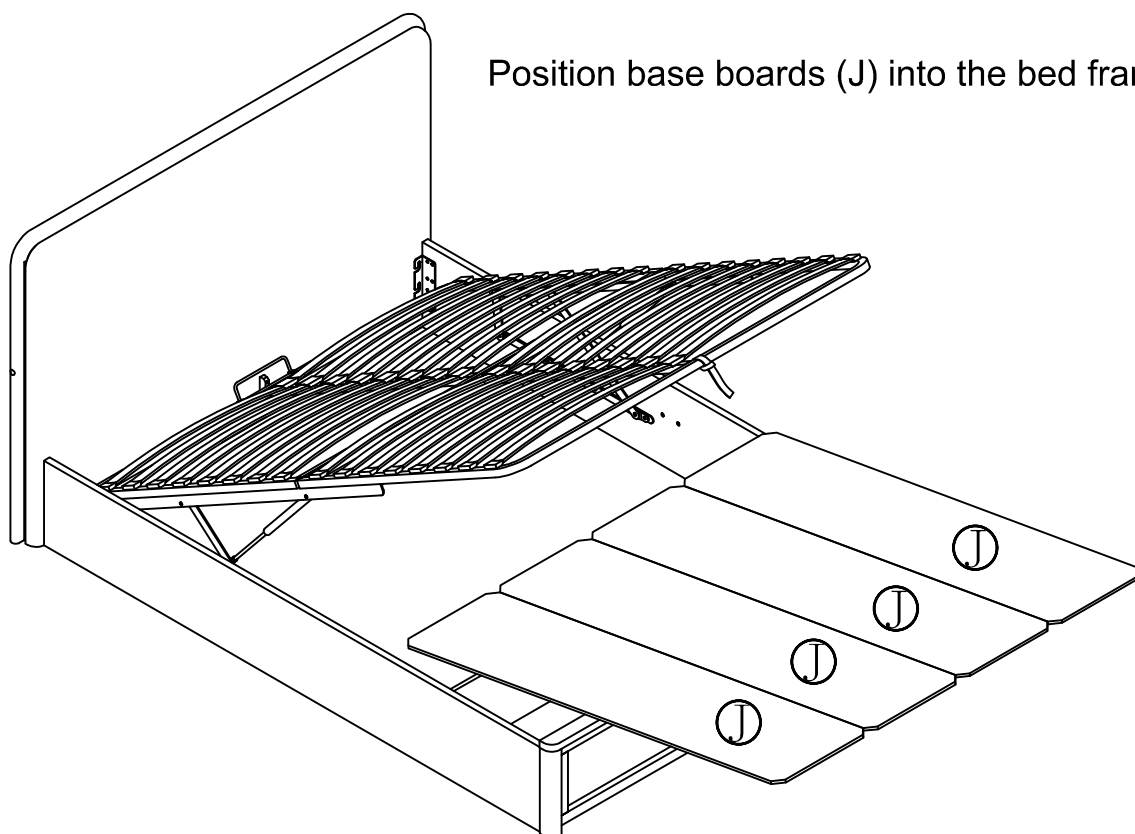
## 11 Ottoman assembly

- 1) Two people carefully lower the slat frame onto the gas-lift mechanisms support bars
- 2) Secure by threading bolts (a), flat washer (g), spring washer (f) to slat frame on the gas-lift mechanisms support bars .



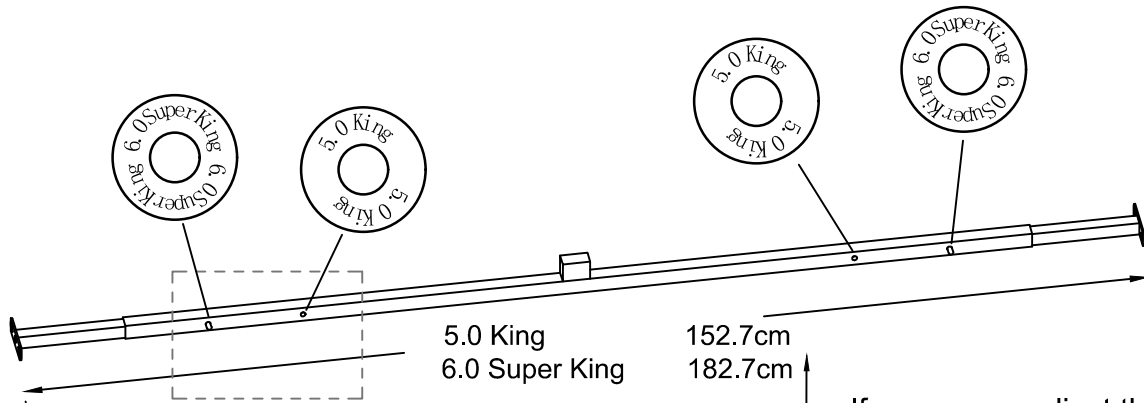
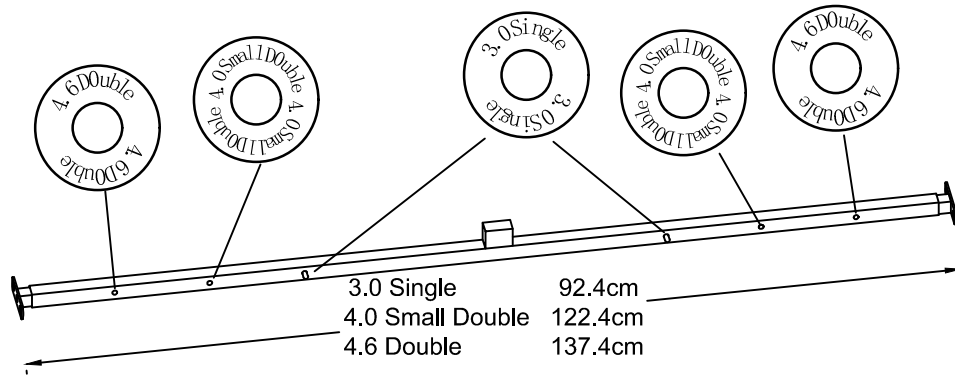
## 12

Position base boards (J) into the bed frame.

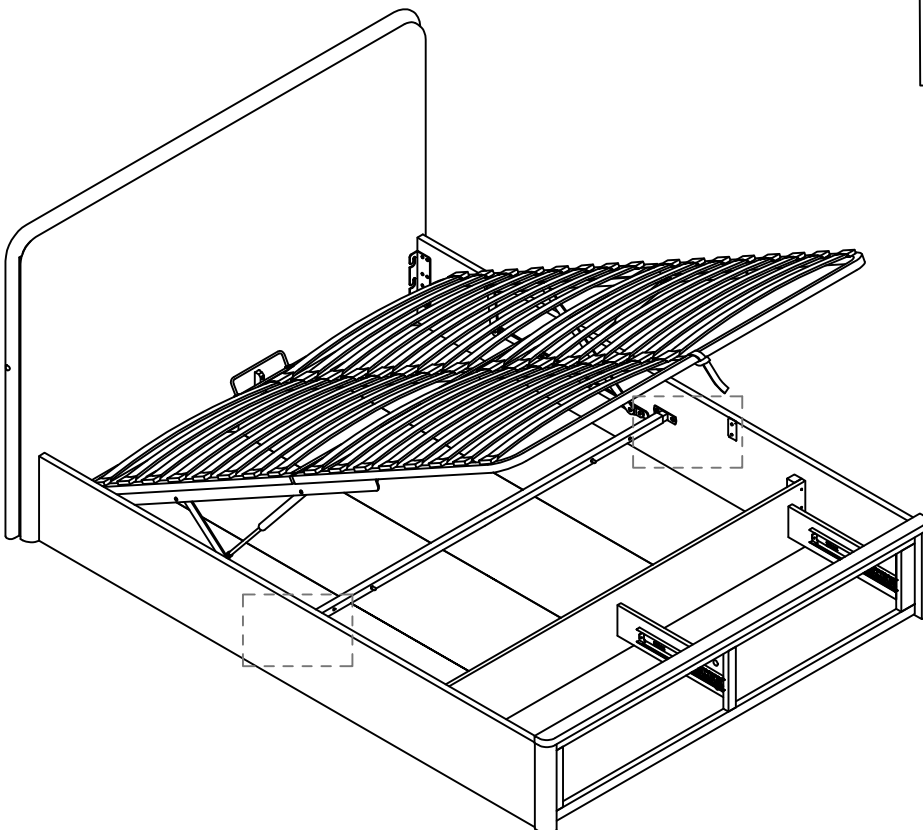
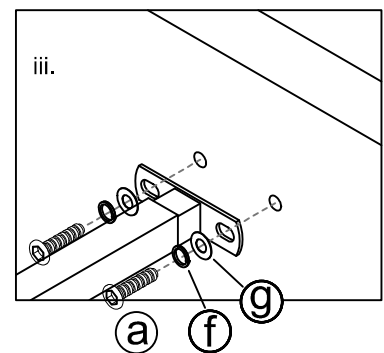
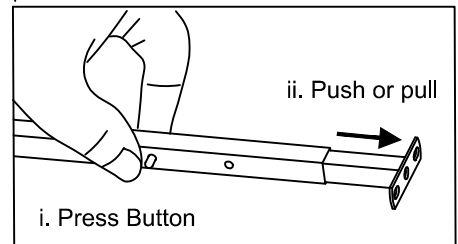


# 13 Ottoman assembly

Fit the adjustable side rail support bar.

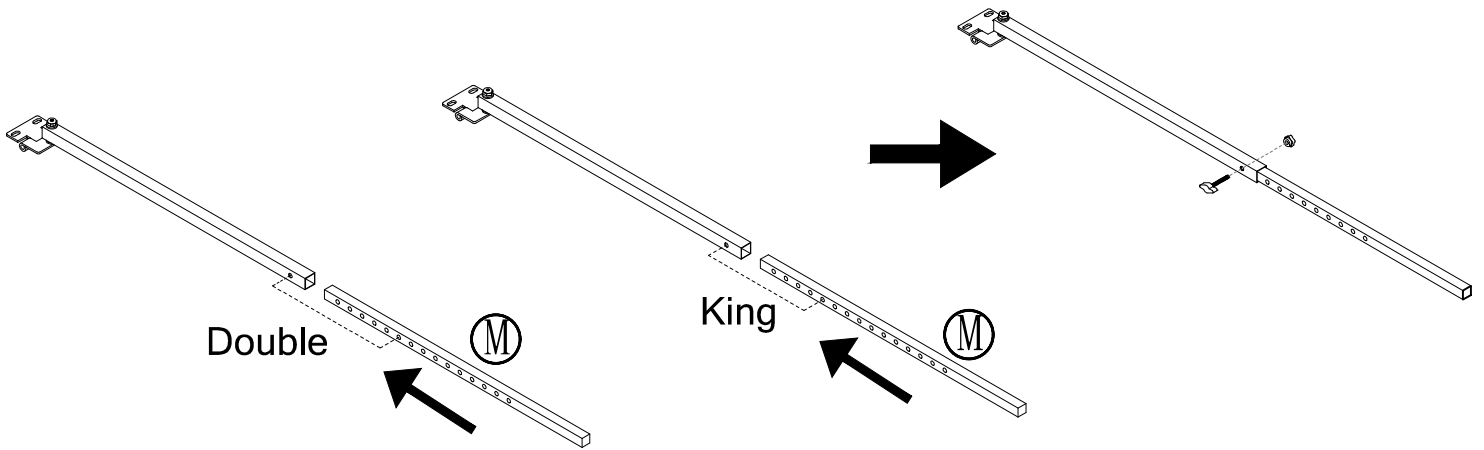


If necessary adjust the length to suit the size of your bed



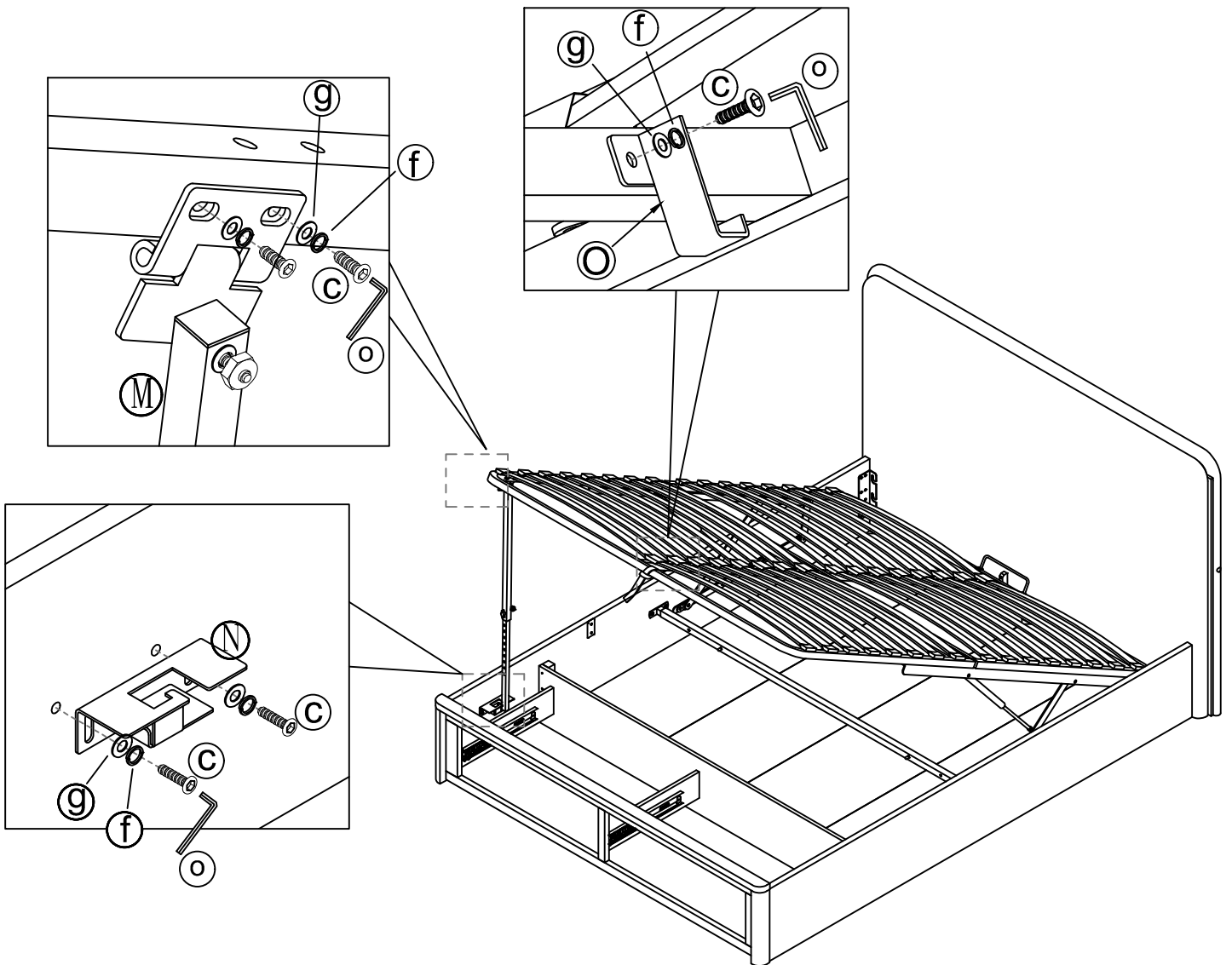
14

### Ottoman Support bar Assembly

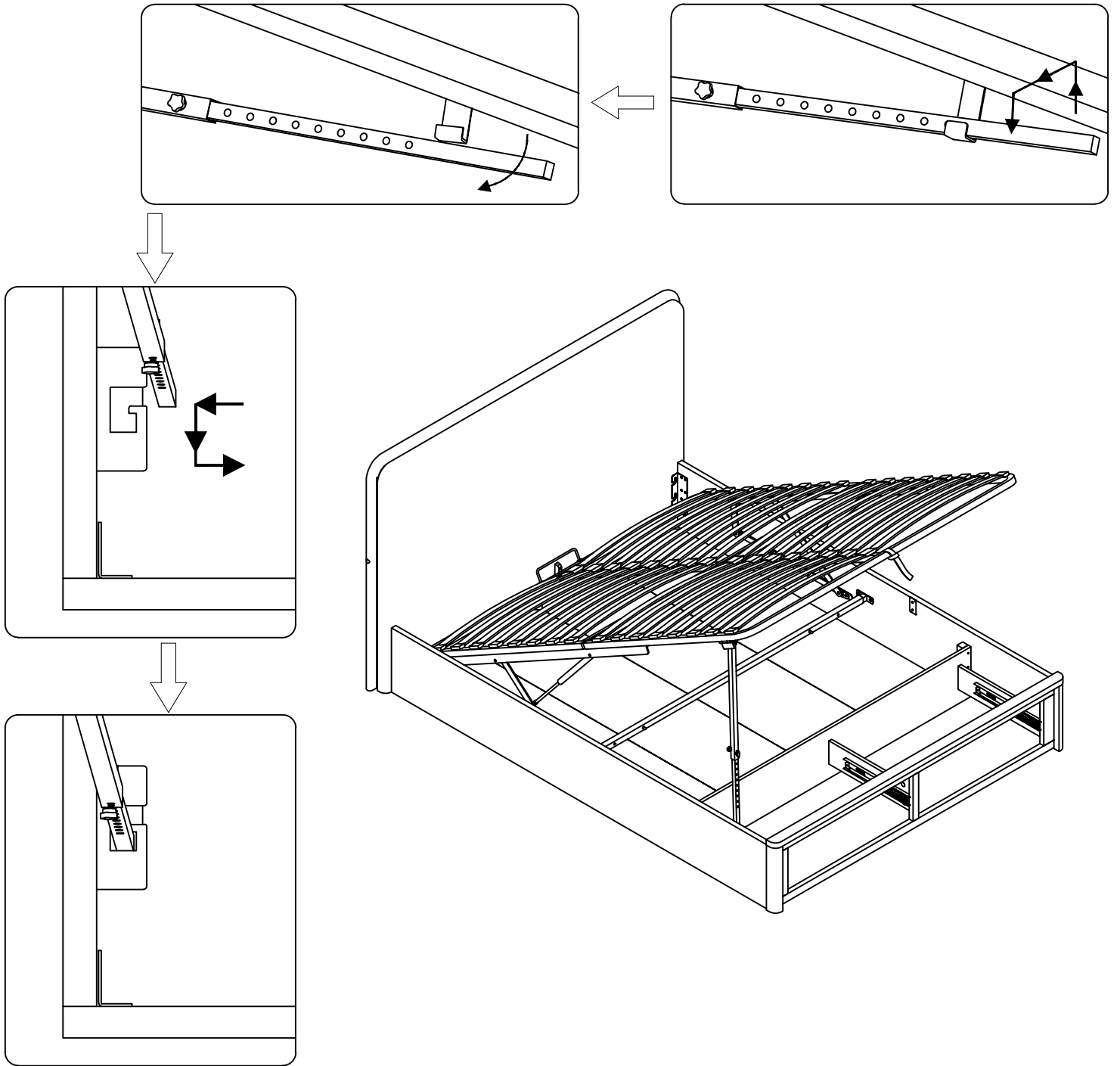


15

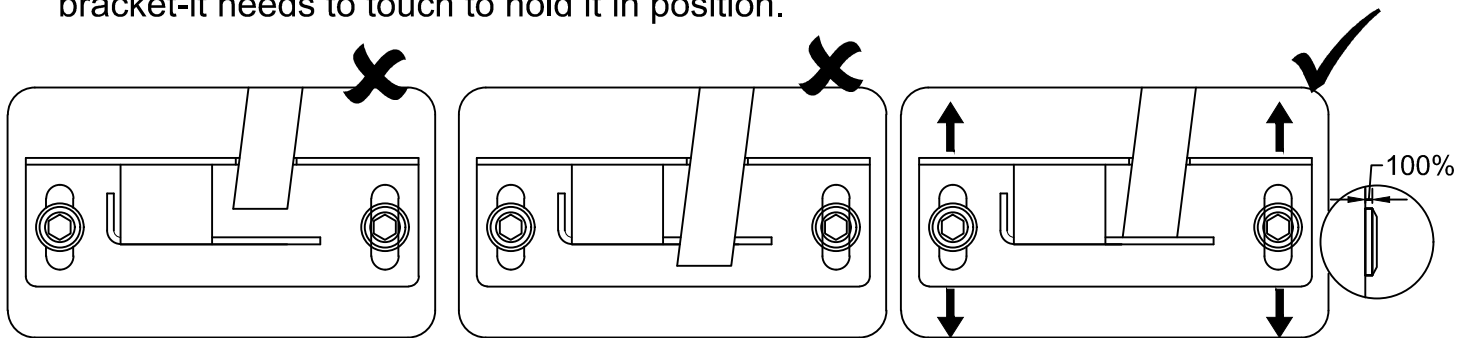
### Ottoman Support bar Assembly



# 16 Ottoman Support bar Assembly

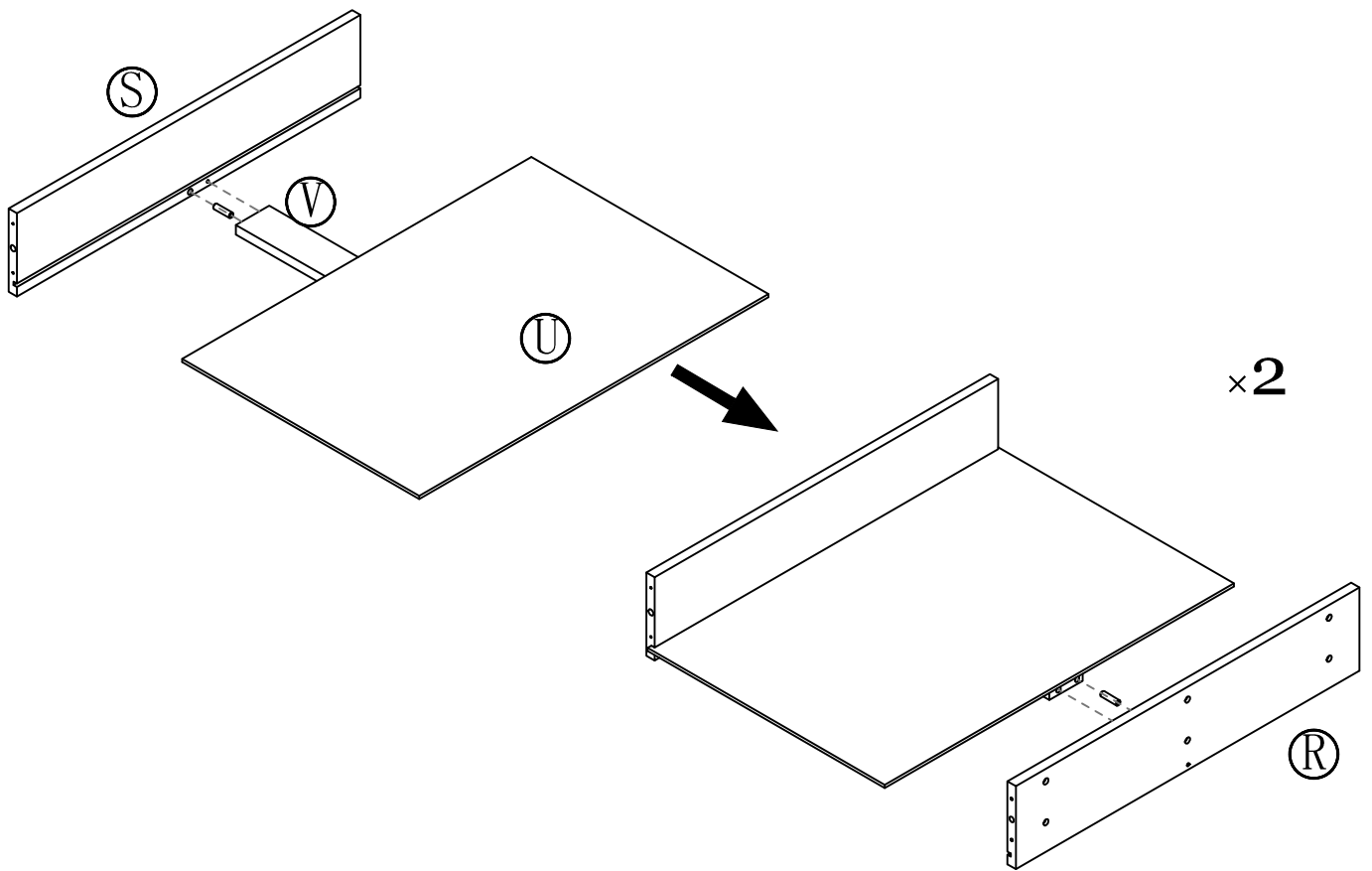


Set the inner stem to the correct length so the end just touches the retaining bracket-it needs to touch to hold it in position.

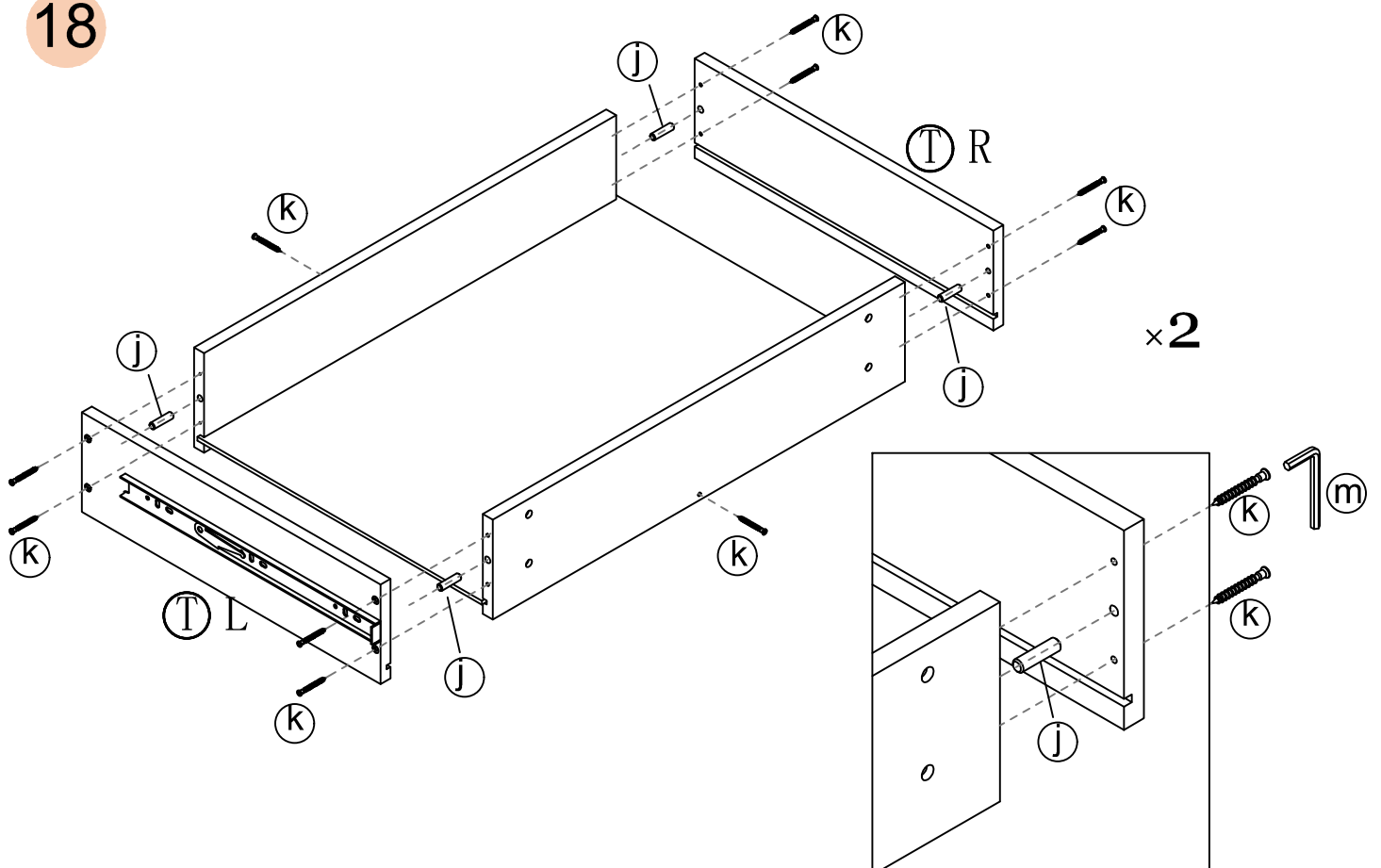


17

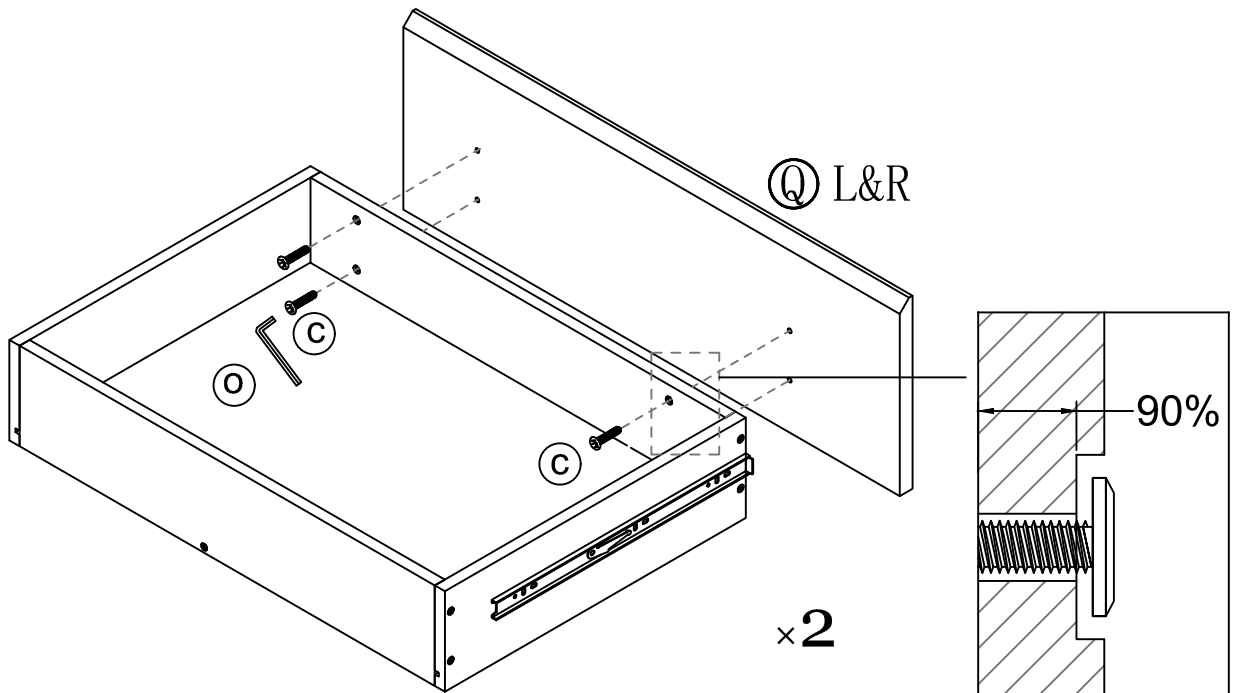
Drawer Assembly



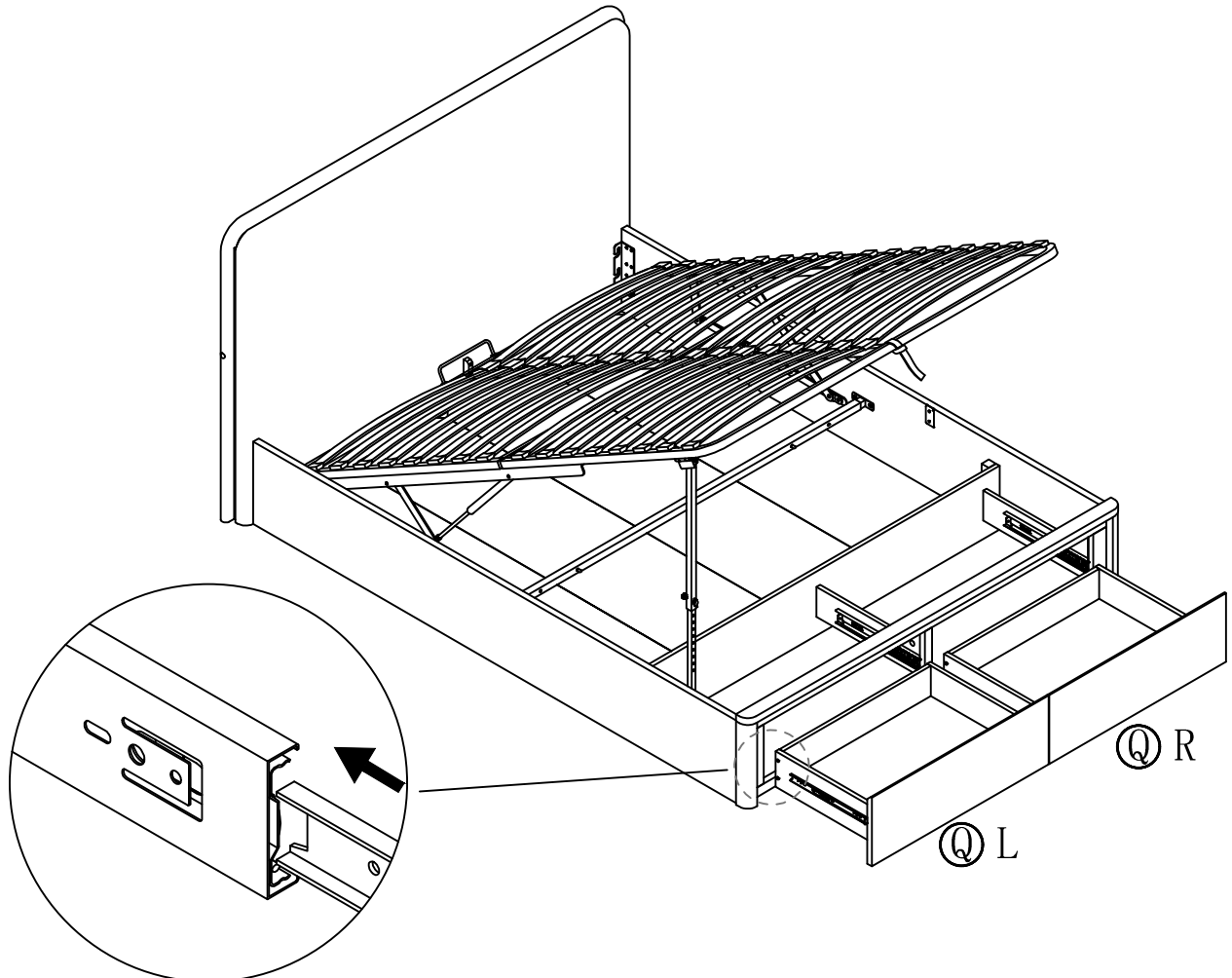
18



**19** Assemble the drawer front, don't over tighten the bolt.

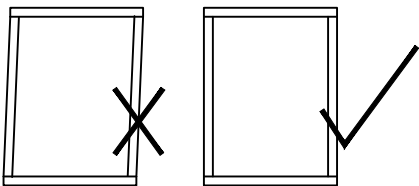
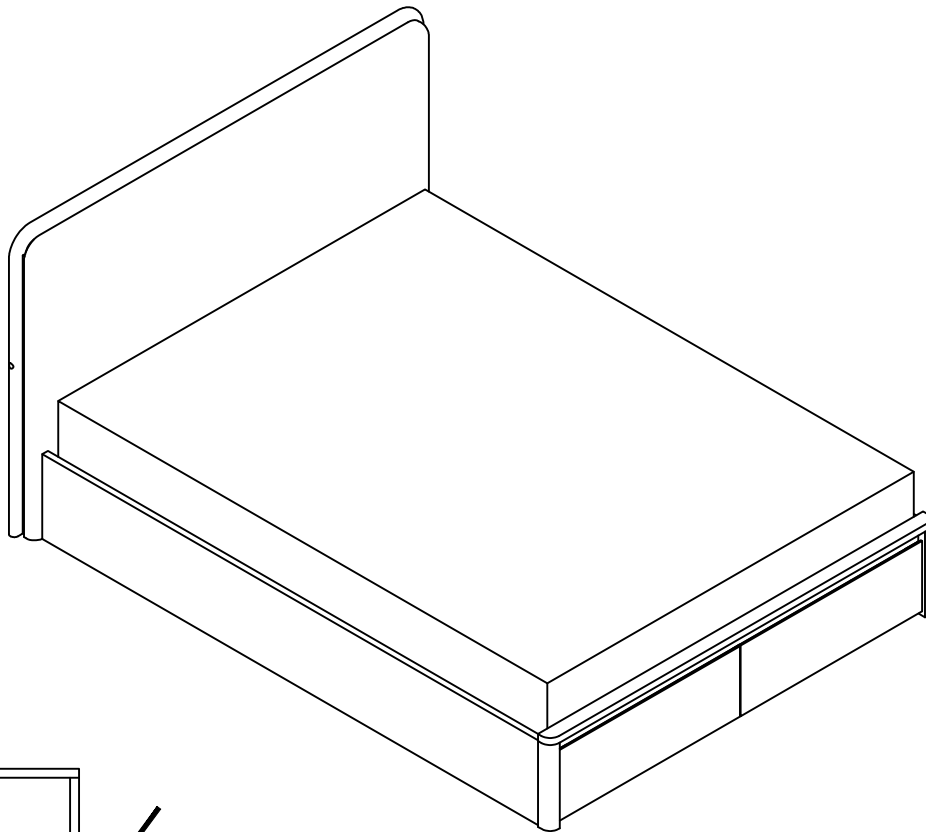
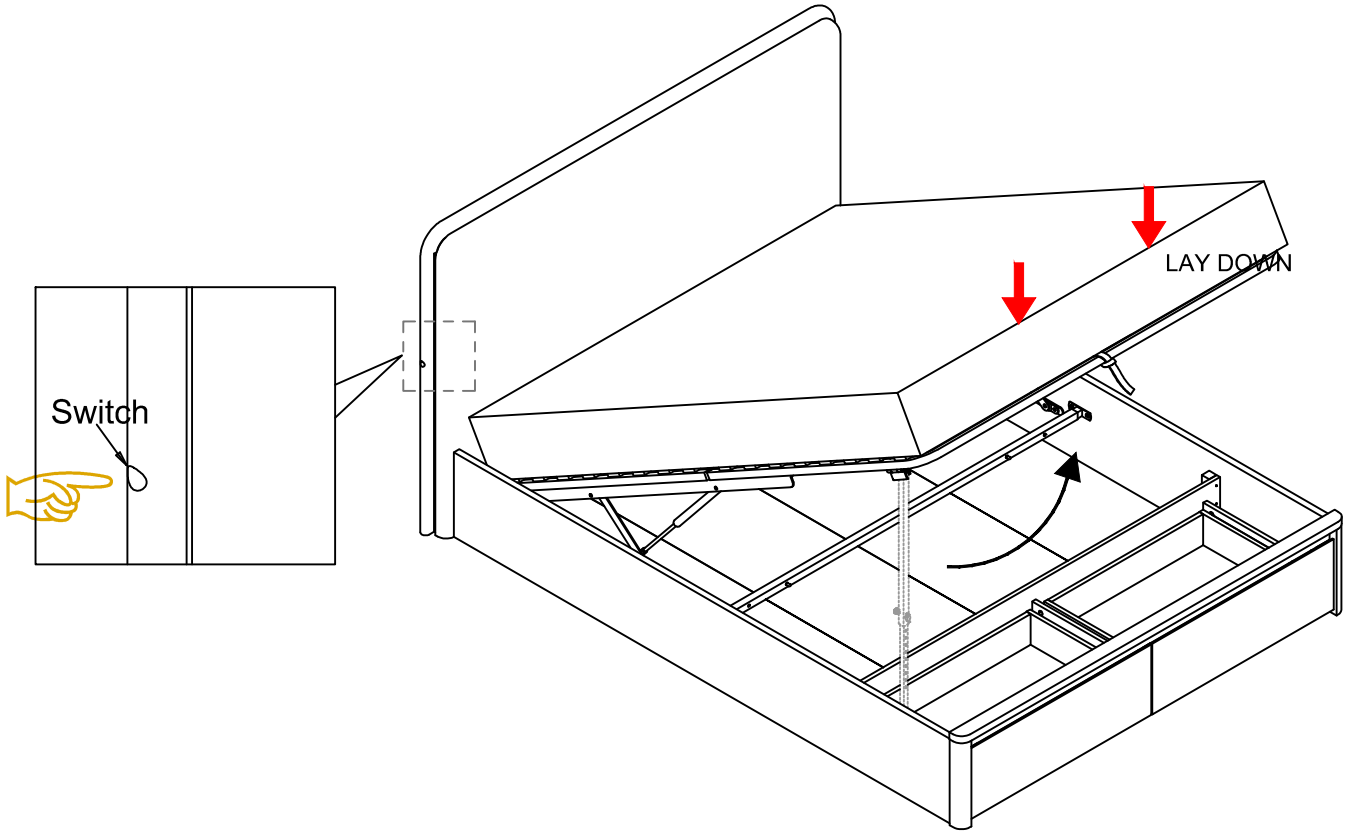


**20** Insert the drawer and then tighten the bolt after adjusting the drawer front.



21

Turn on and off the light by touching the switch

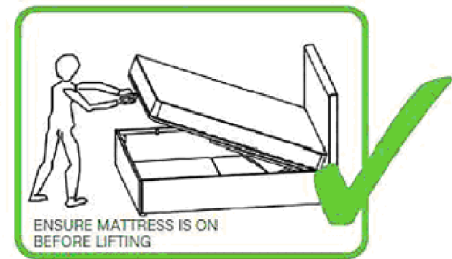


Make certain the bed is squared up as shown in the diagram then tighten all bed assembly bolts 100%



# WARNING

- **Ensure the combined bedding and mattress weight is within the recommended weight guidance.**
- **Adult Operation Only:** Not recommend for use by under 12 years old. Please note ease of operation is dependent on height and strength of user.
- **Avoid Entrapment:** Always lift the bed with the mattress in place, using the handle to lift and lower the base, keeping clear of the mechanism.



- **Fully Open Ottoman:** Ensure the ottoman is fully open before accessing the storage area.
- **Avoid Hinge Area:** Do not reach into the storage area through the hinge mechanism.
- **Keep Children and Pets Away:** Ensure children and pets stay away from the storage area. Do not stand inside the internal storage area of the bed.
- **Maintenance-** Regularly inspect your bed to ensure it is functioning correctly.

## Recommended mattress weight for safe operation

Bed	Bed Size	Min (kg)	Max (kg)
Roman (manual)	Double	20	42
	King	24	50

## Care and maintenance

Here are some tips to keep your new bed in tip - top condition



### Cleaning

To clean your new bed, we'd advise using a warm damp cloth - please do not use abrasive chemicals or bleach as this may damage the product.



### Checking and moving

Periodically we recommend you check that the screws or fixtures haven't been become loose, over time. To move your new bed, we recommend lifting it where possible, as dragging or pushing it could cause damage to your flooring.



### Wood

Please note each of our wooden pieces are unique, meaning that markings and shade can vary slightly between beds. Over a period of time, the wood might lighten or fade slightly due to light exposure.



### Fabric

Please note depending on the lighting, positioning and surroundings of your room, the shade or the colour can sometimes appear slightly different. Over a period of time, the colour might lighten or fade slightly due to light exposure.



### Metal

Metal tends to be more resilient to everyday wear and tear. We recommend to gently dust your metal furniture and keep it dry to maintain its look.

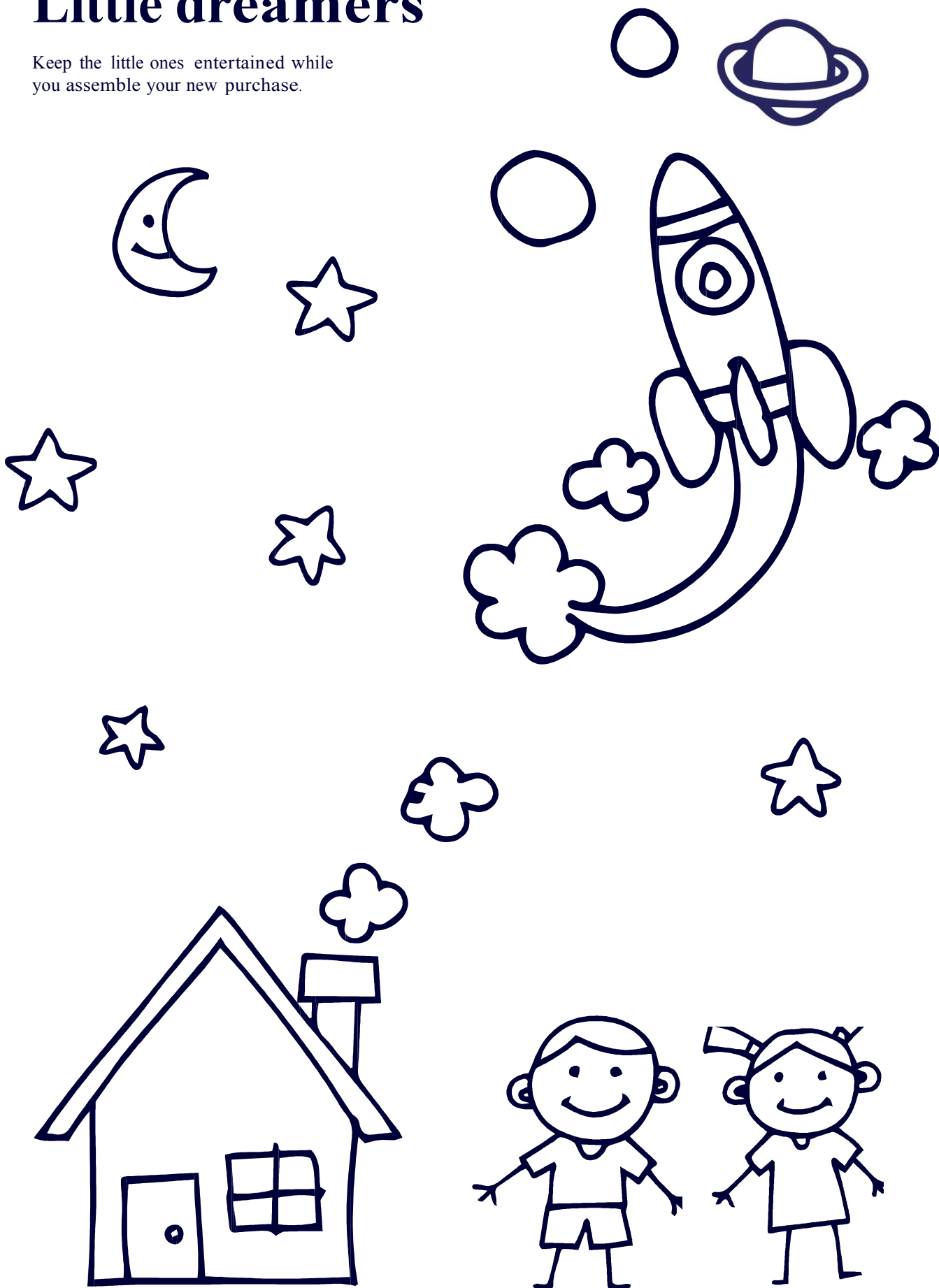
Thank you for shopping with us - we hope you have a great night's sleep

*Sleep well*



# Little dreamers

Keep the little ones entertained while you assemble your new purchase.



# Dreams

Love your bed

PRODUCED IN \_\_\_\_\_ CHINA \_\_\_\_\_ FOR:

Dreams Limited | Knaves Beech | High Wycombe | HP10 9YU  
[www.dreams.co.uk](http://www.dreams.co.uk)

Hometime Retail Limited | 6-16 Duncrue Crescent | Belfast | Antrim | BT3 9BW  
[www.dreams.ie](http://www.dreams.ie)