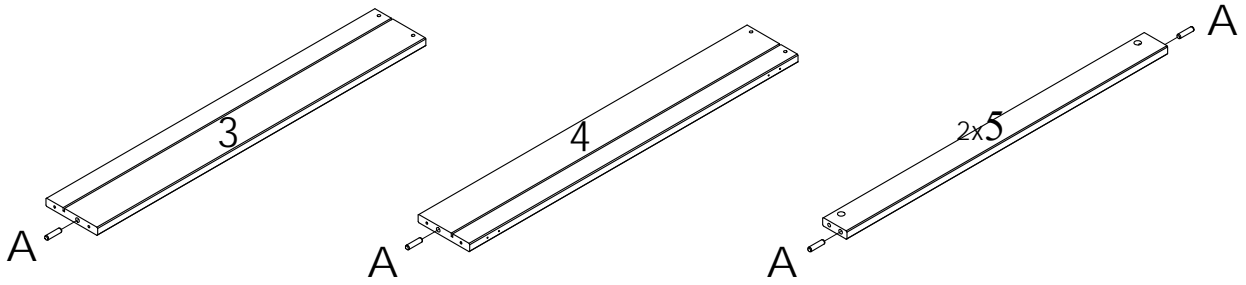
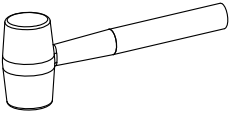


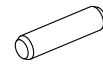
A		10x40	x6
B		7x50	x8
C		7x34	x4
D		15x12	x4
E		3,5x40	x14
F		1797	x2

G		D26	x4
H		3,5x16	x8
J		D4x13	x8
K		120x30x6	x2
L		4mm	x1

①



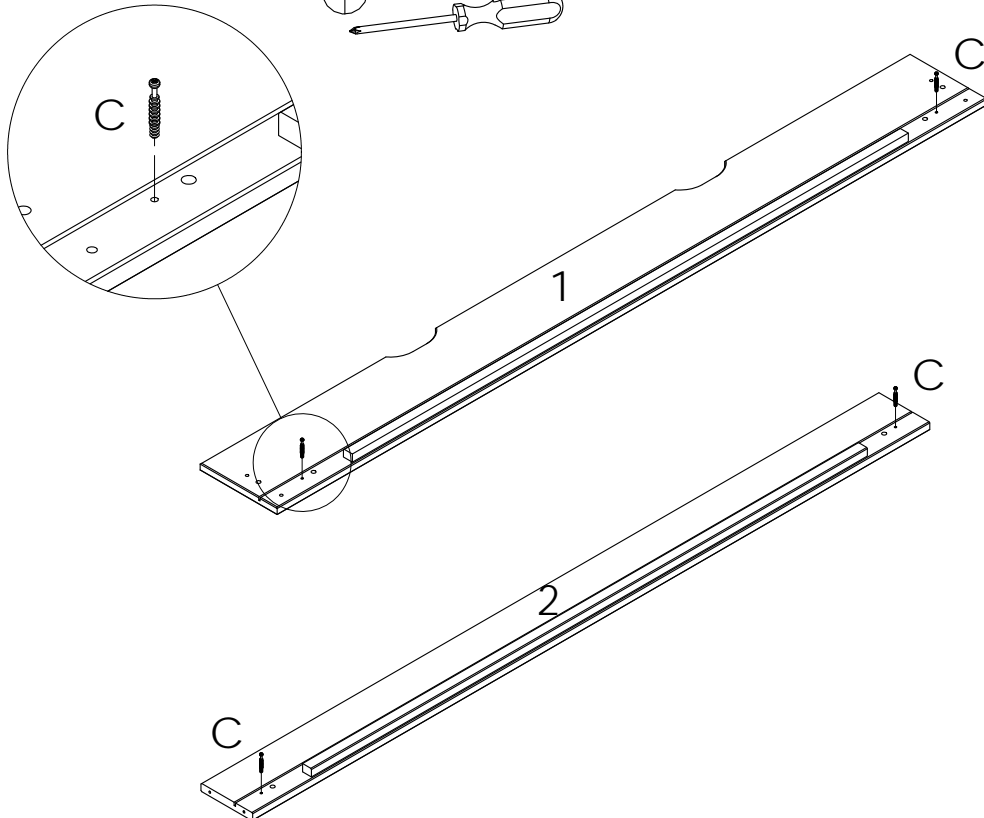
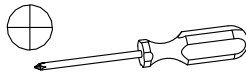
A



10x40

x6

②



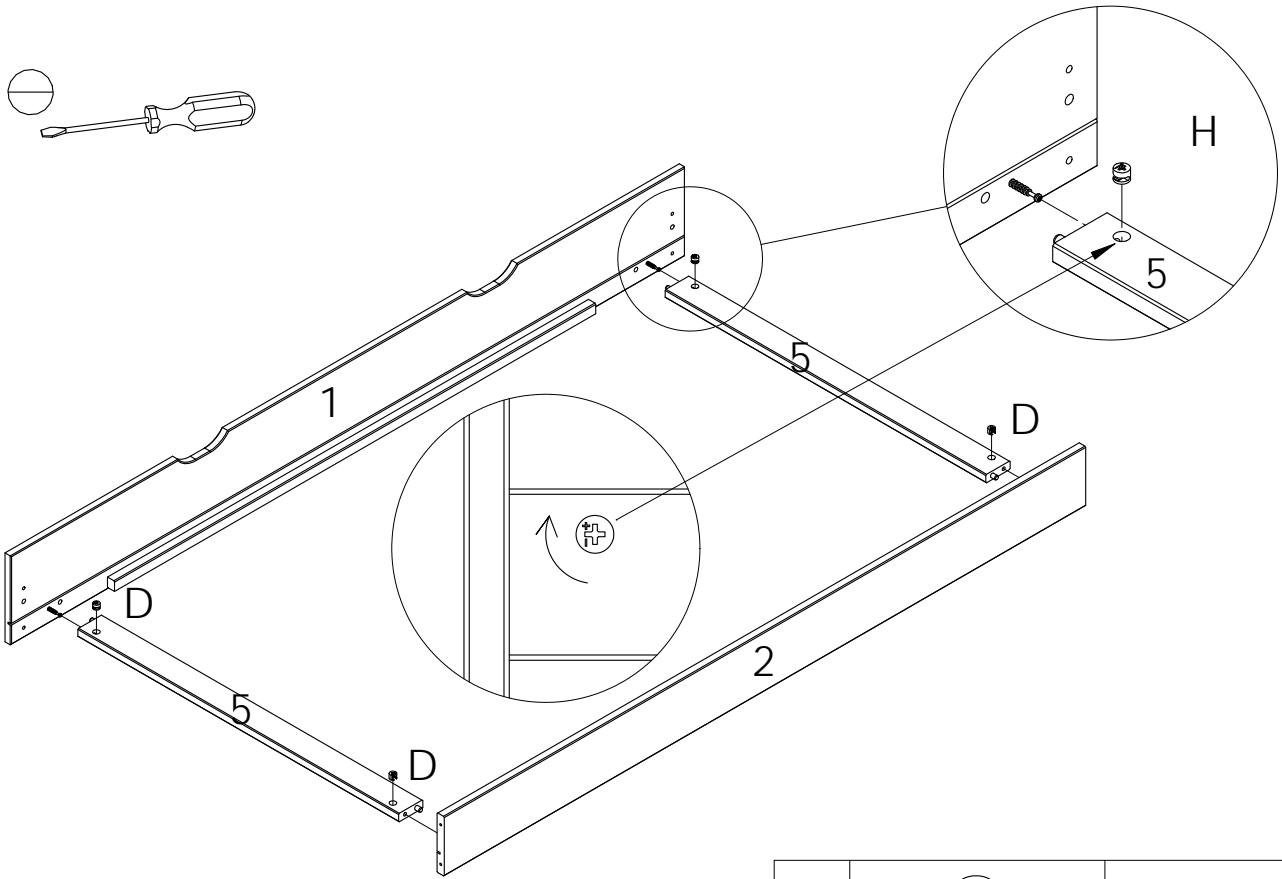
C



7x34

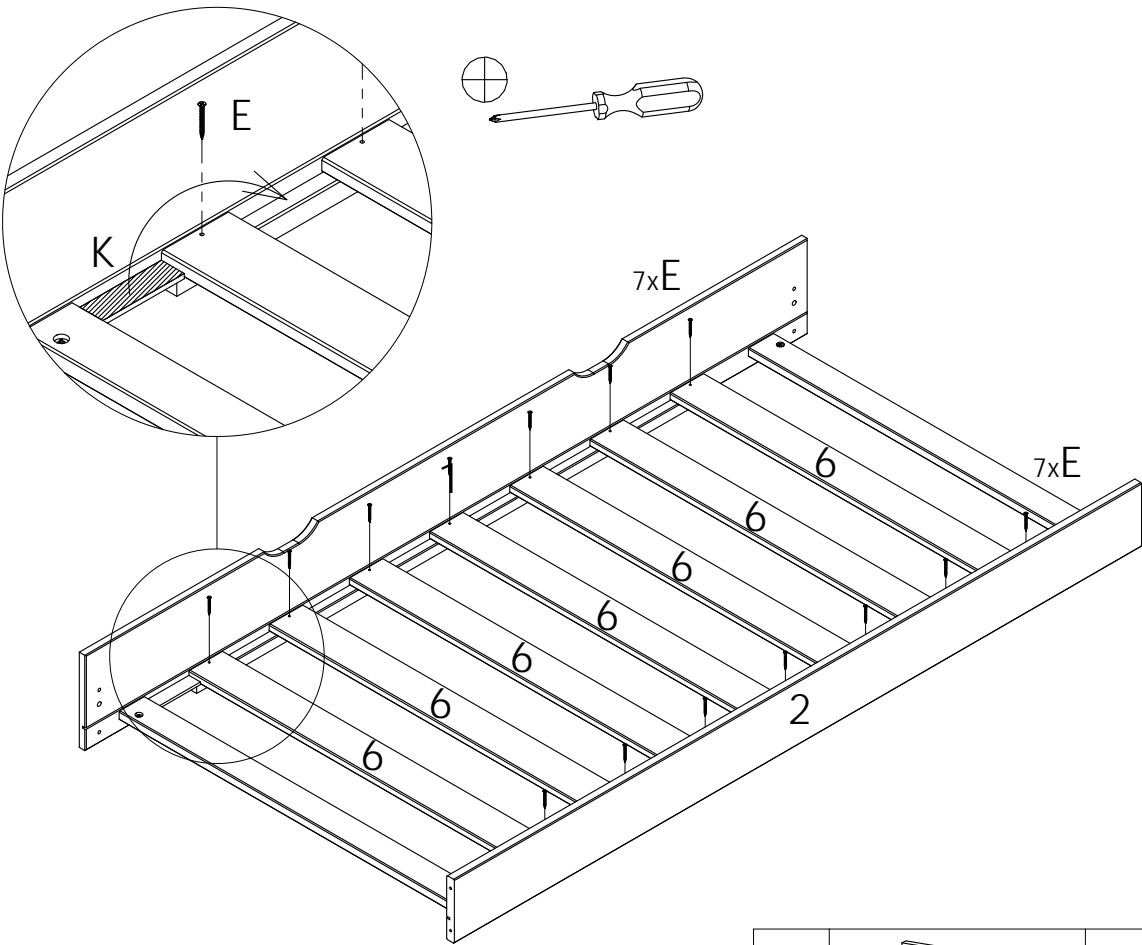
x4



3



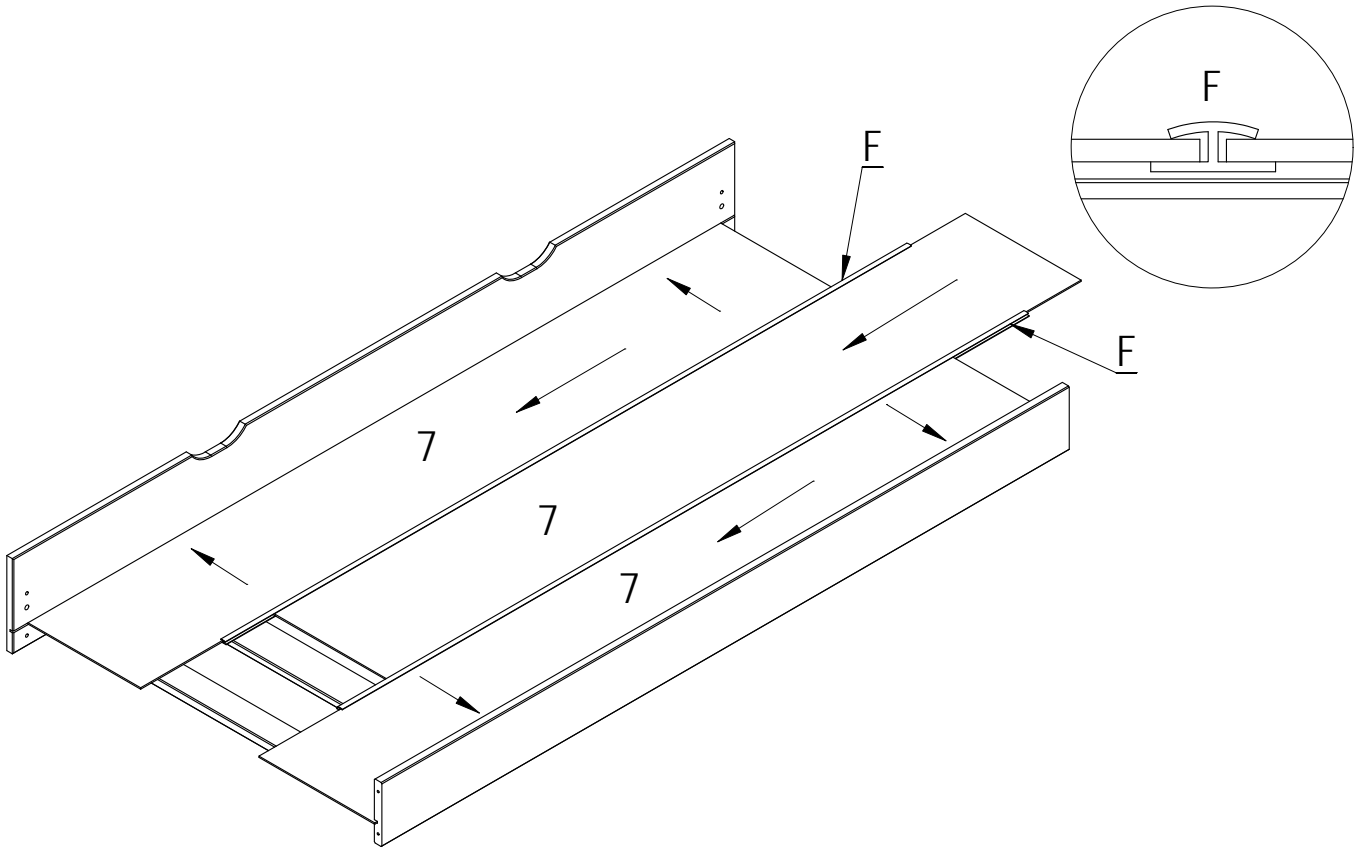
D		15x12	x4
---	--	-------	----


4



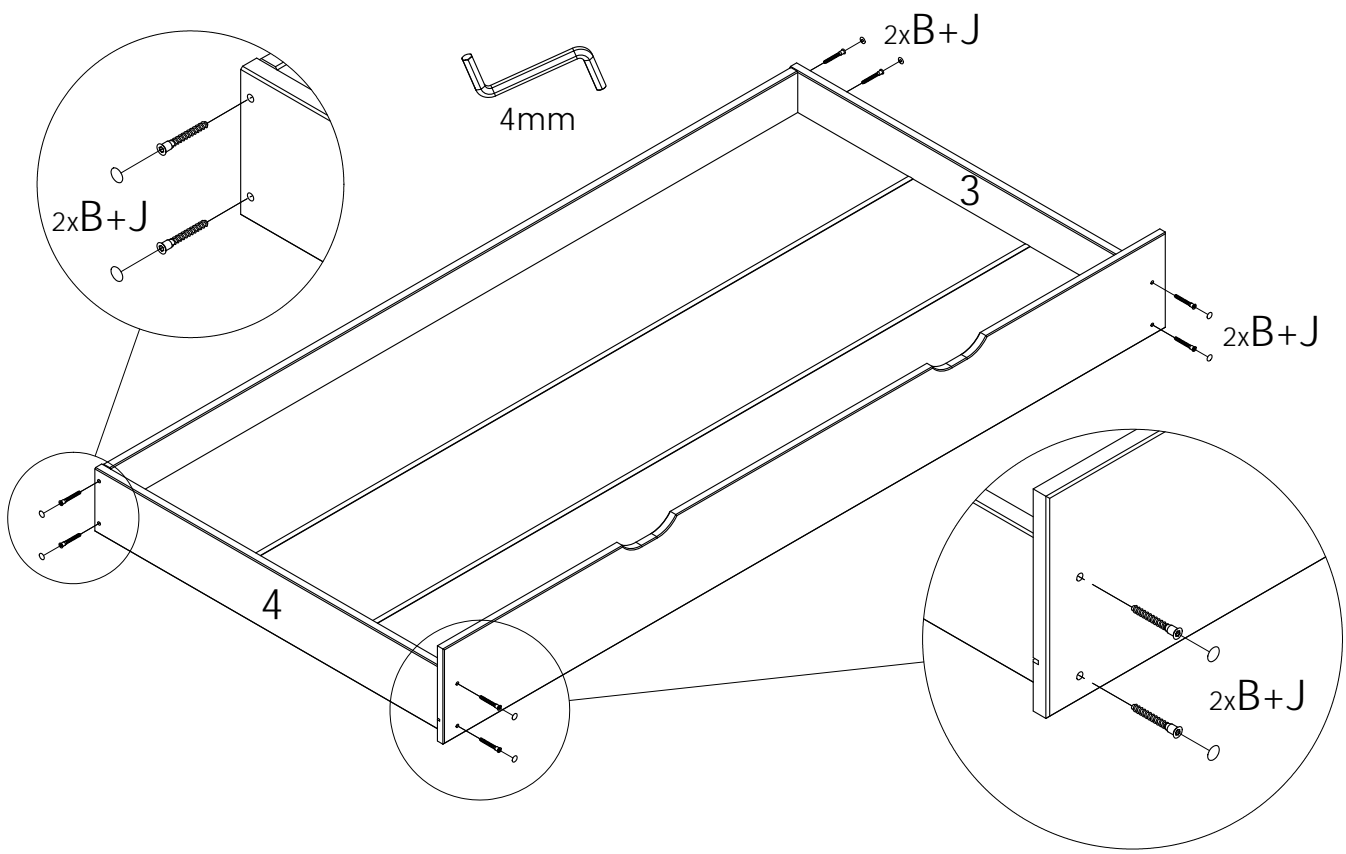
K		120x30x6	x2
E		3,5x40	x14



5



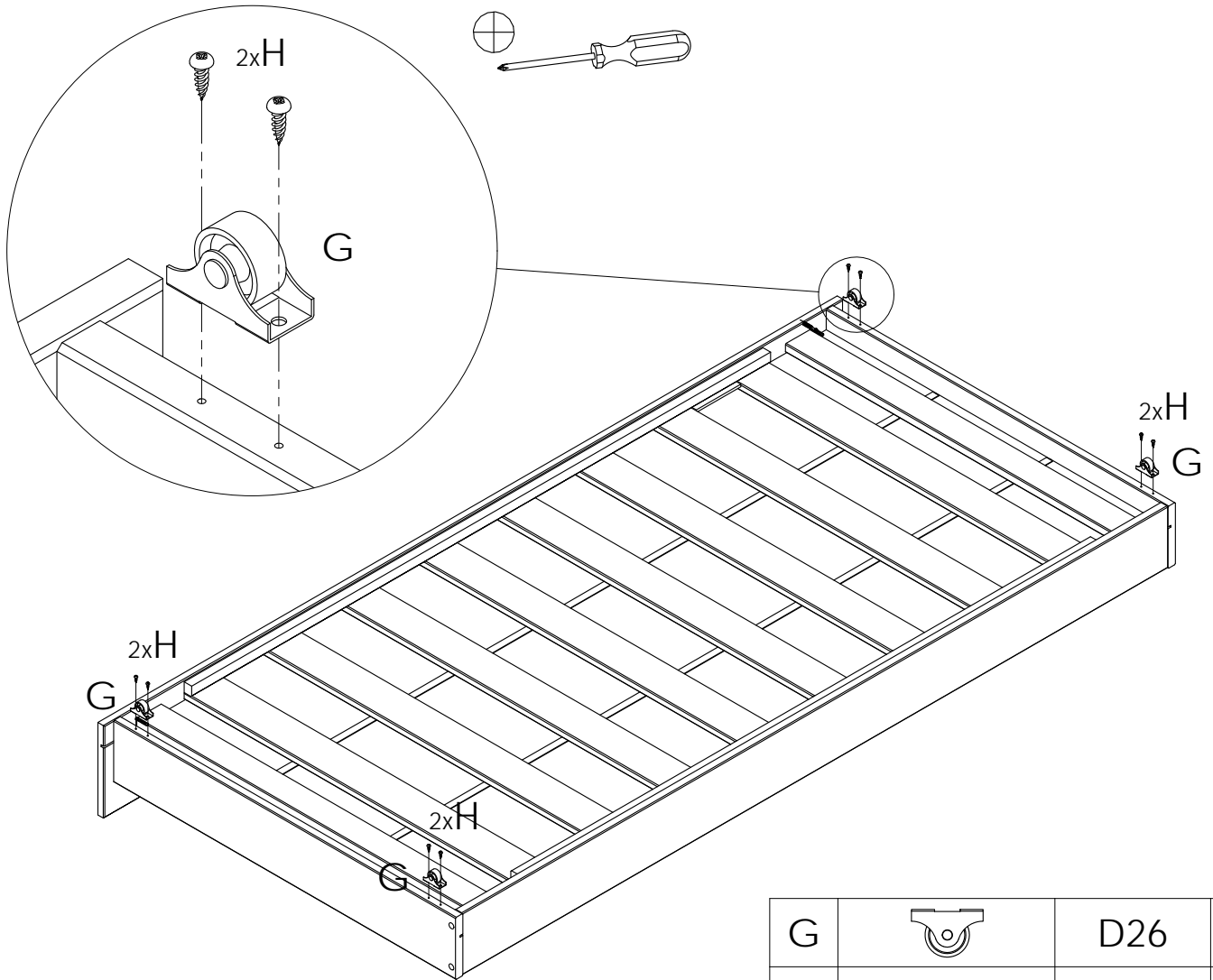
F		1797	x2
---	--	------	----

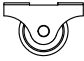

6



B		7x50	x8
J		D4x13	x8

7



G		D26	x4
H		3,5x16	x8