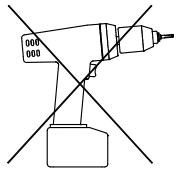
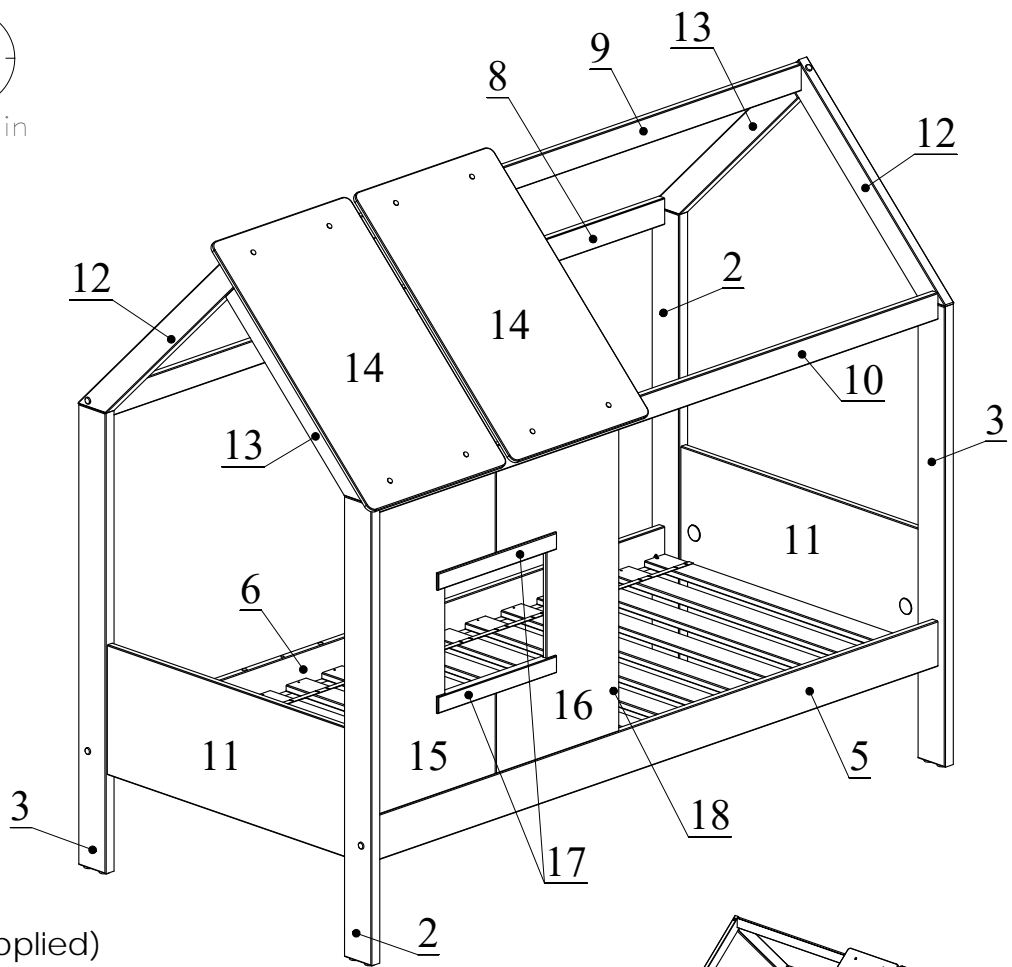
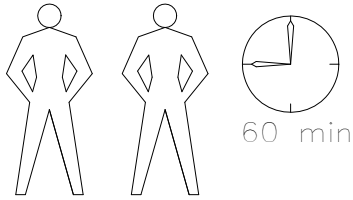
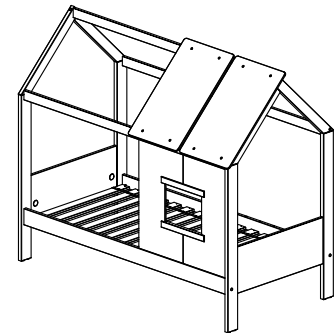
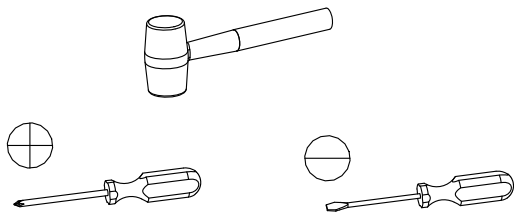


Playhouse Single Bed Assembly Instructions



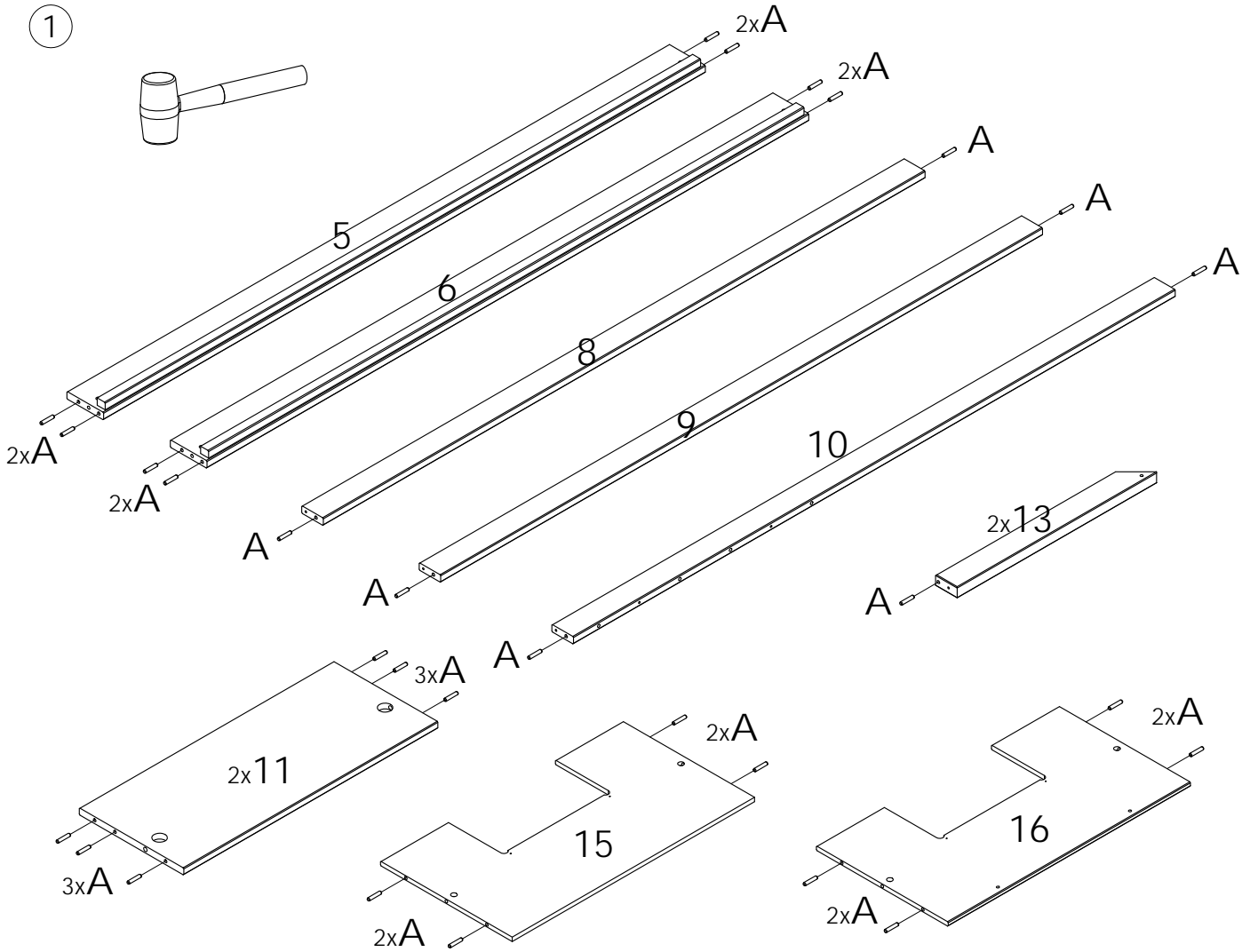
Tools needed (not supplied)



A		8x40	x36
B		10x40	x4
C		M6x65	x4
D		D6x10x13	x4
E		6,3x60	x6
F		6,3x105	x2
G		7x60	x4
H		D35	x4
J		7x24	x4
K		D15x9,5	x4

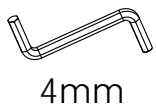
L		4x20	x4
M		3,5x35	x40
N		D13	x10
P		D20	x4
R		D5x8	x2
S		D8x13	x4
T		D35x12	x4
V		D24x3	x8
Y		4mm	x1

①

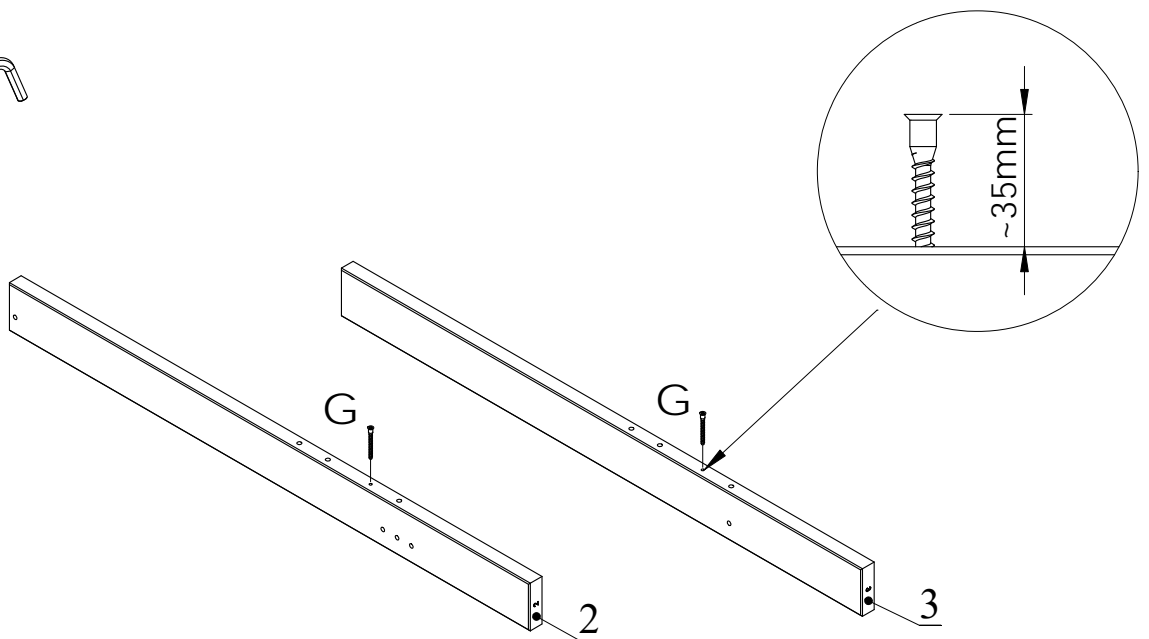


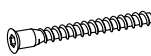
A		8x40	x36
---	---	------	-----

②

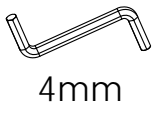


2x

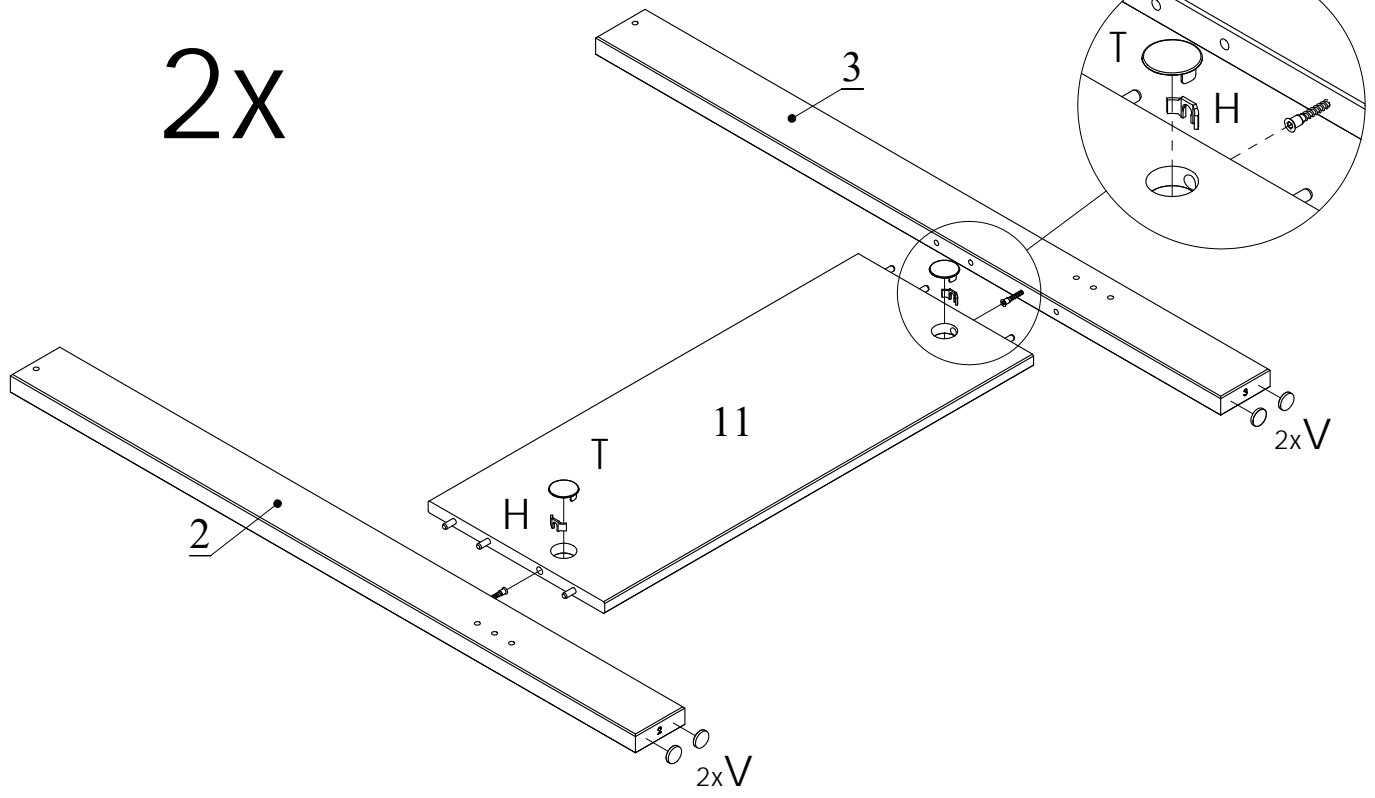


G		7x60	x4
---	---	------	----

3

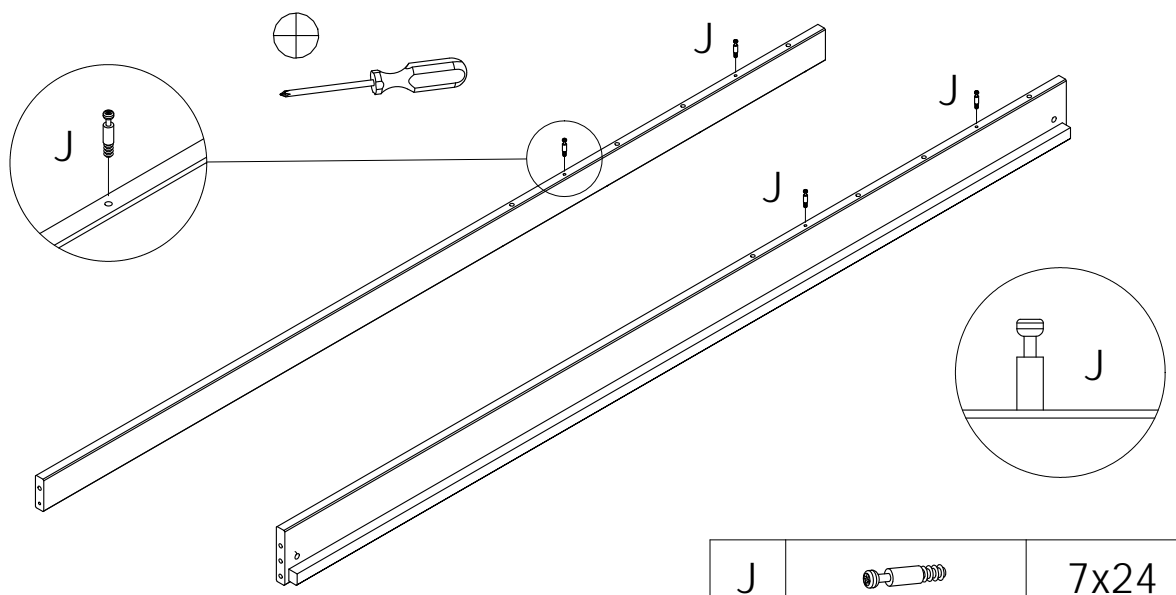


2x



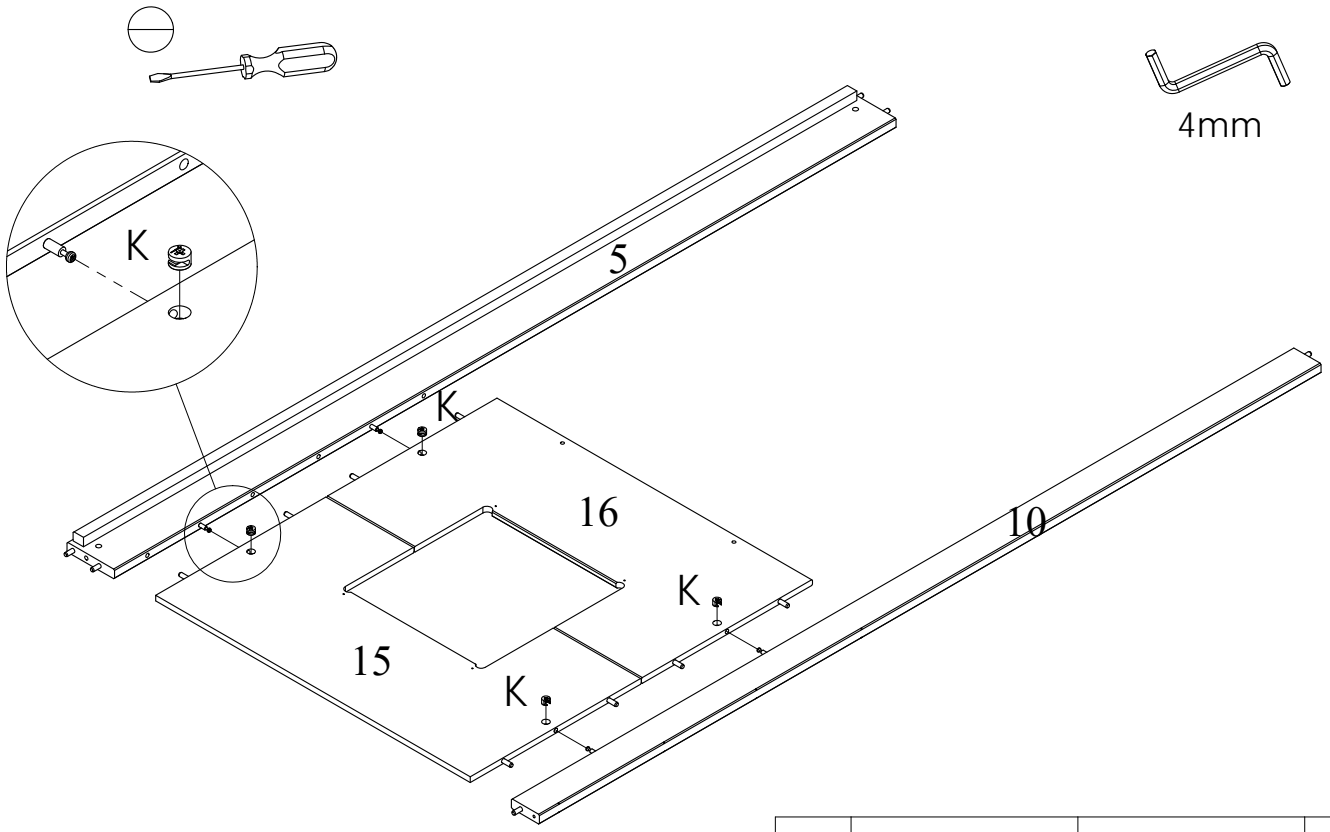
H		D35	x4
T		D35x12	x4
V		24x3	x8


4



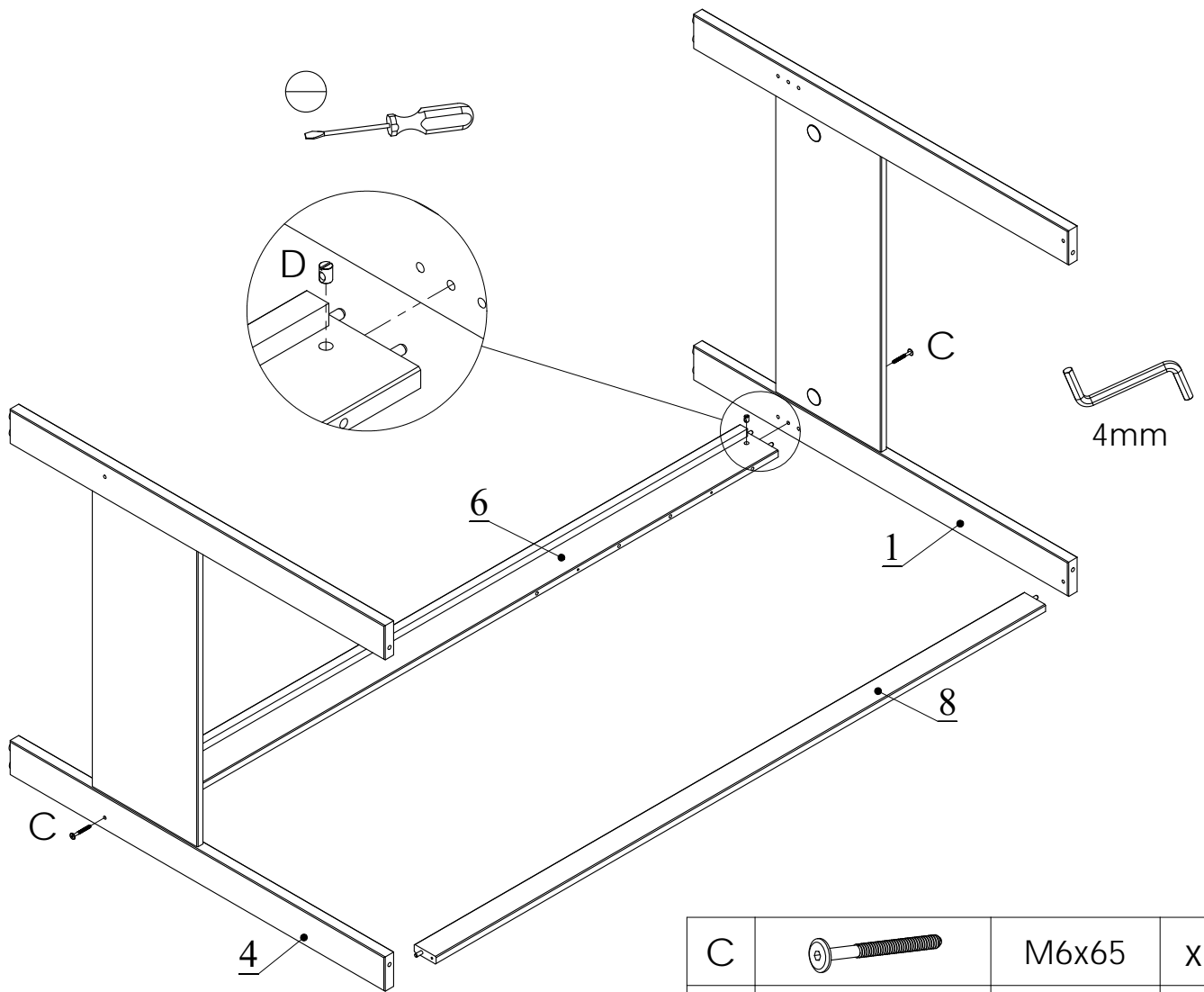
J		7x24	x4
---	--	------	----



5



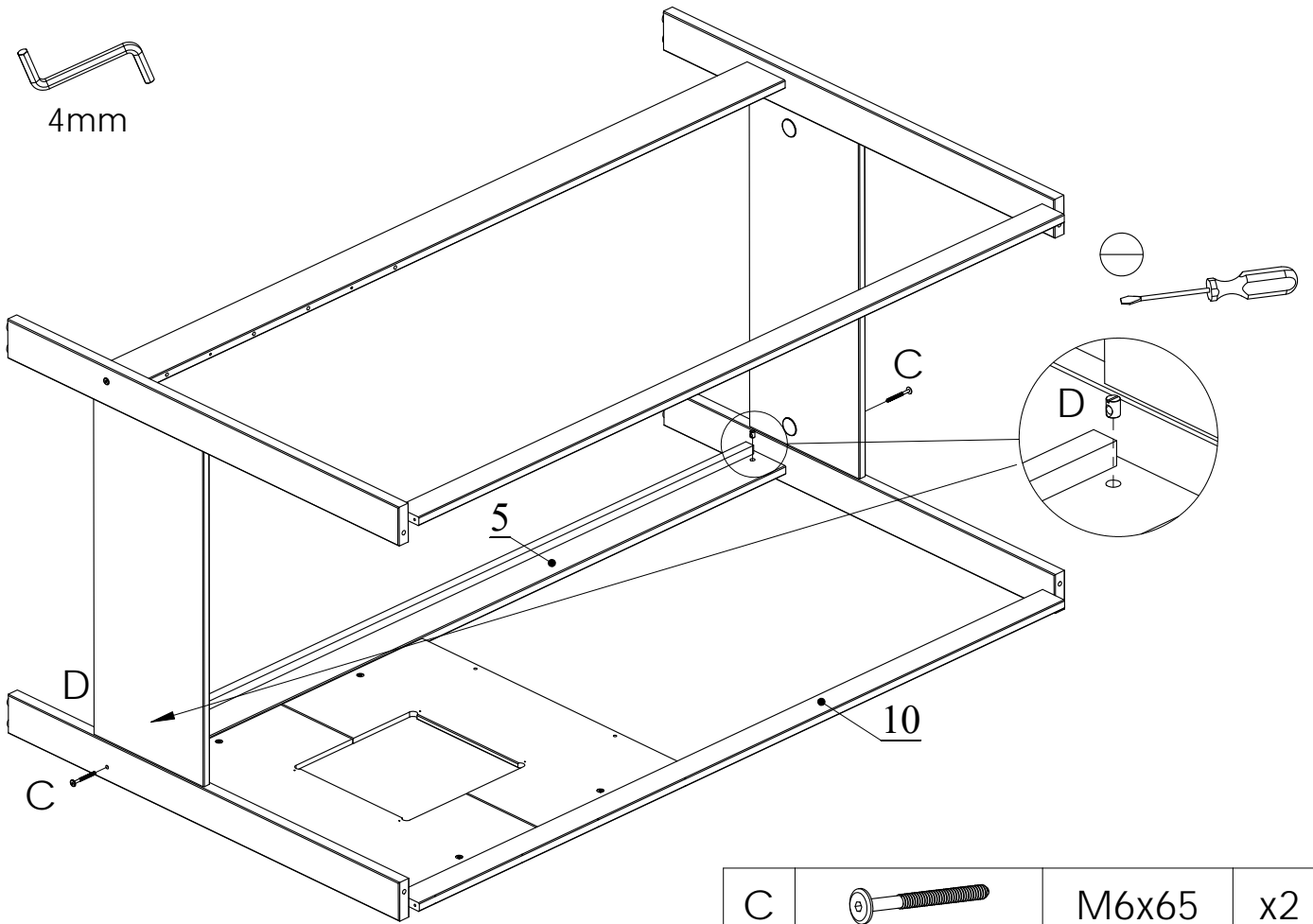
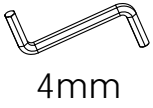
K		D15x9,5	x4
---	--	---------	----

6



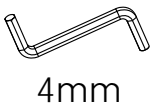
C		M6x65	x2
D		M6x10x13	x2

7

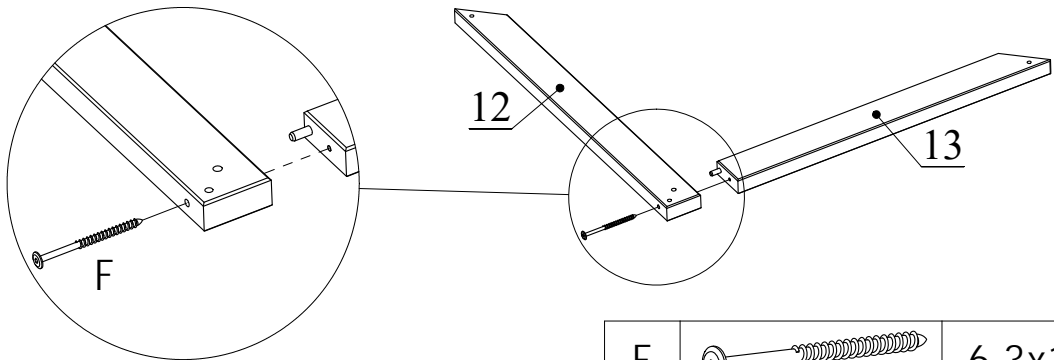


C		M6x65	x2
D		M6x10x13	x2

8

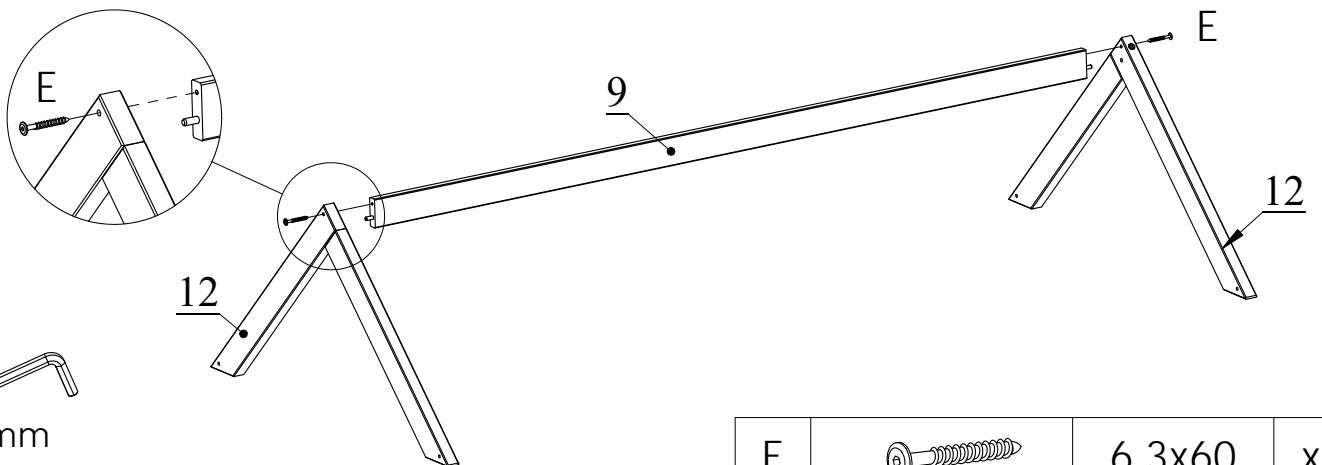
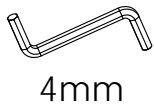


2x



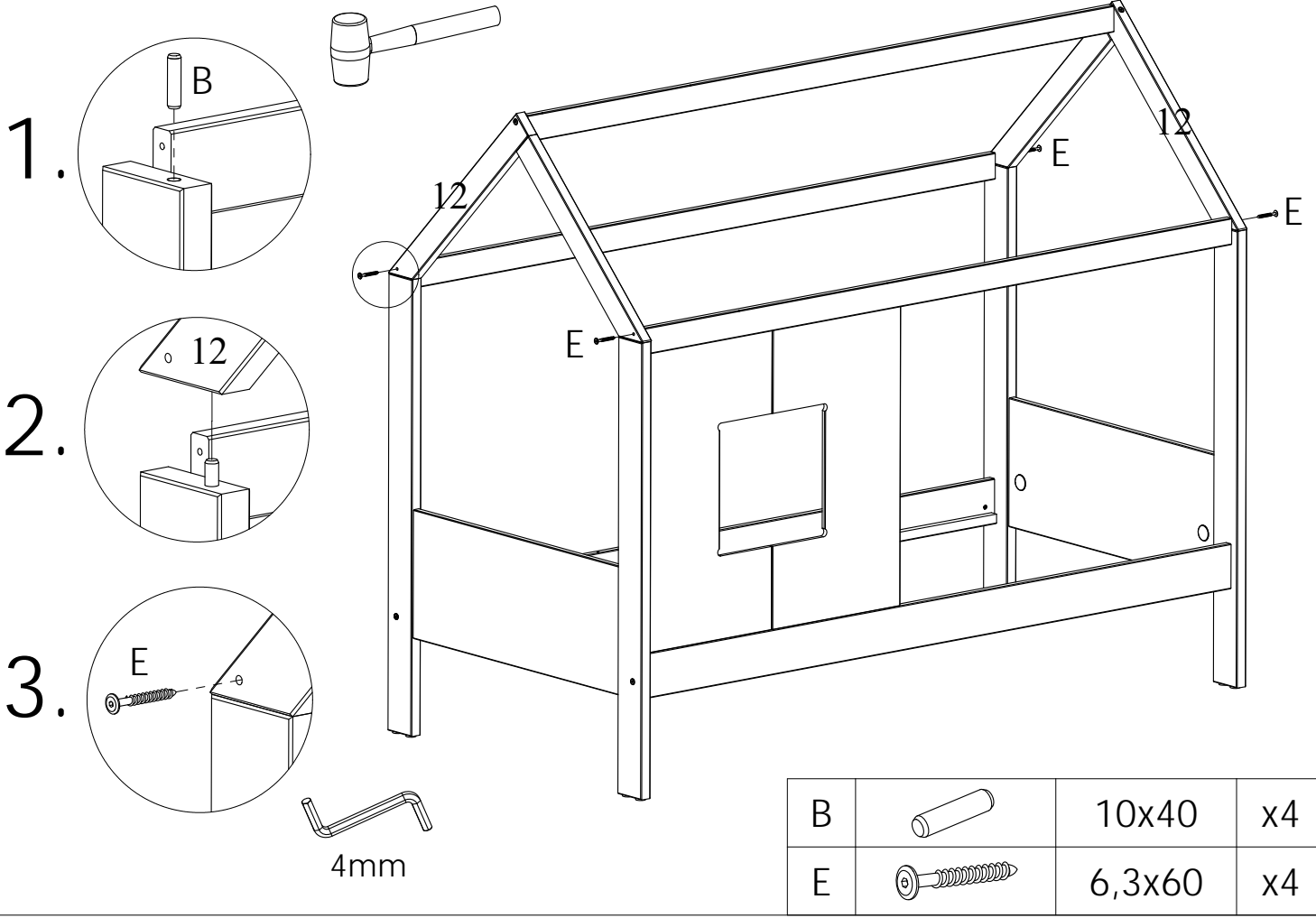
F		6,3x105	x2
---	--	---------	----

9



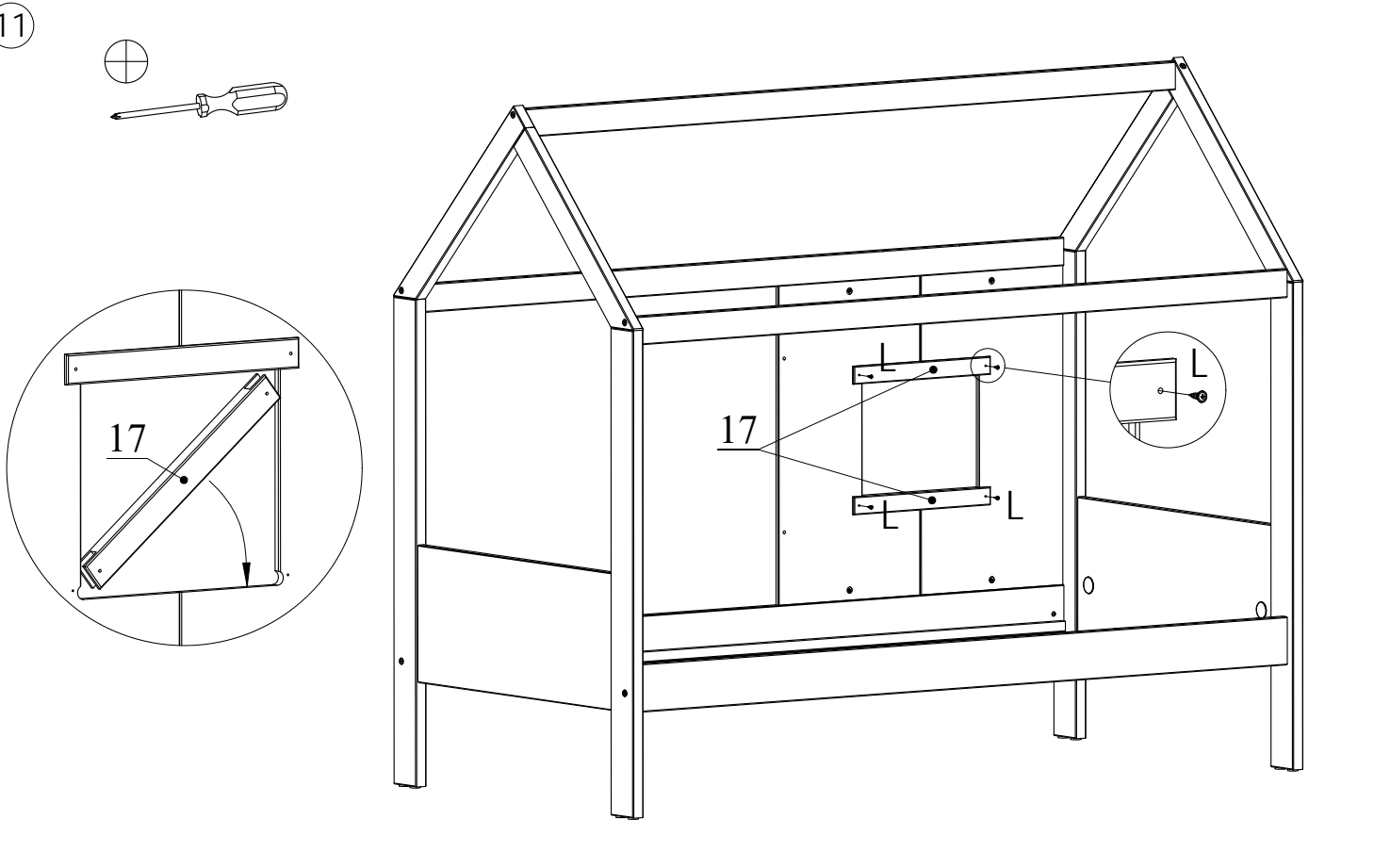
E		6,3x60	x2
---	--	--------	----

10



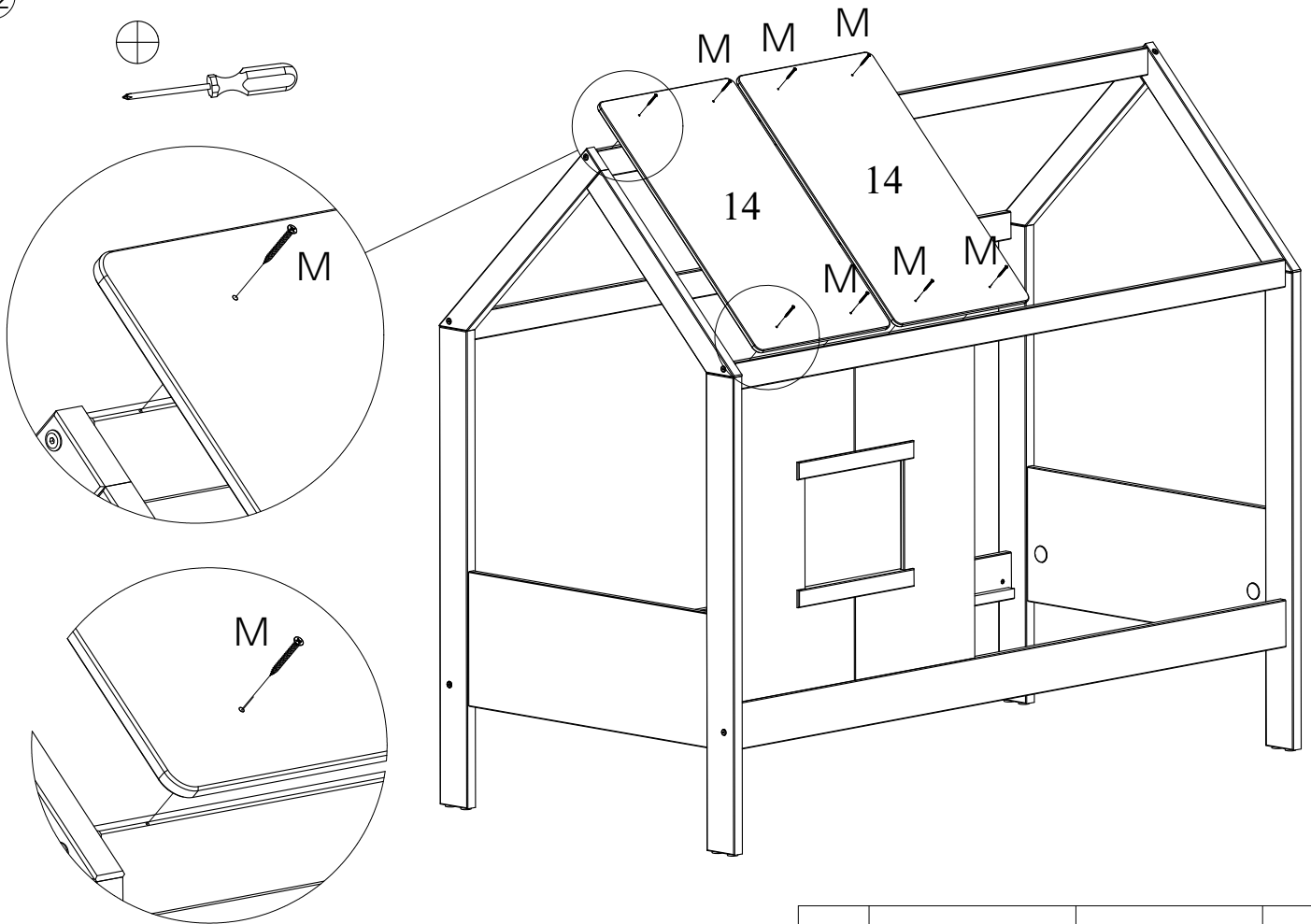
B		10x40	x4
E		6,3x60	x4

11



L		4x20	x4
---	--	------	----

12



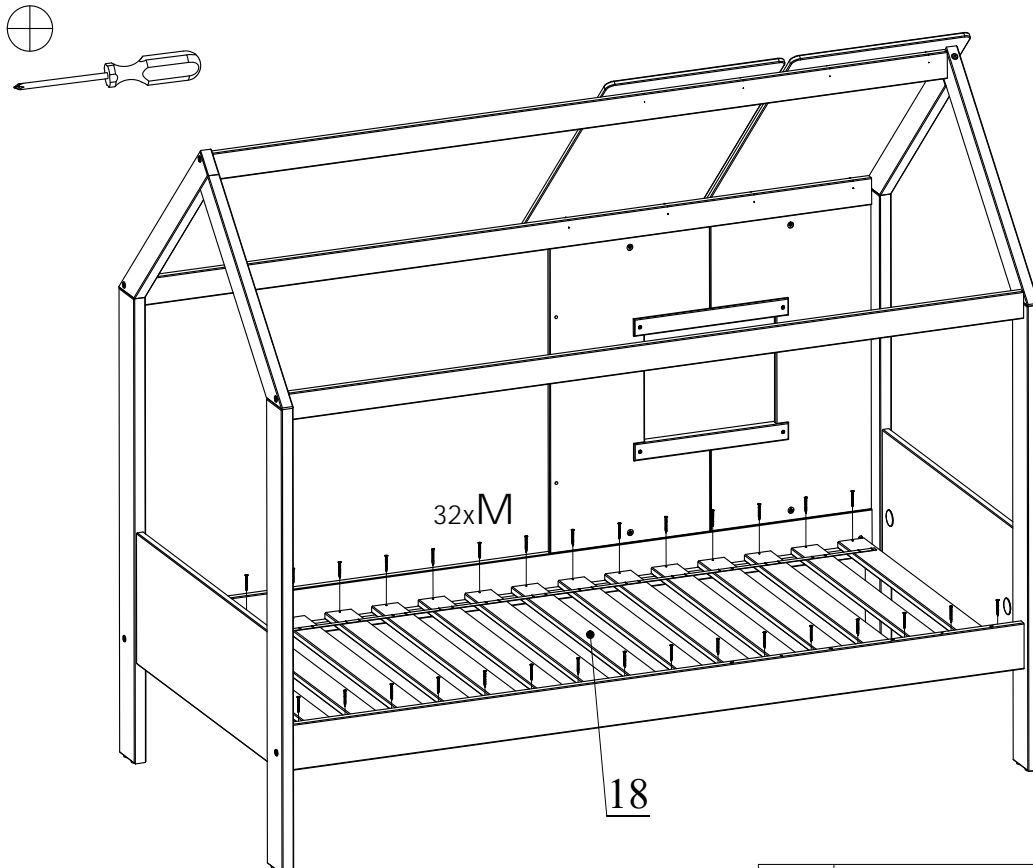
M



3,5x35

x8

13



32xM

18

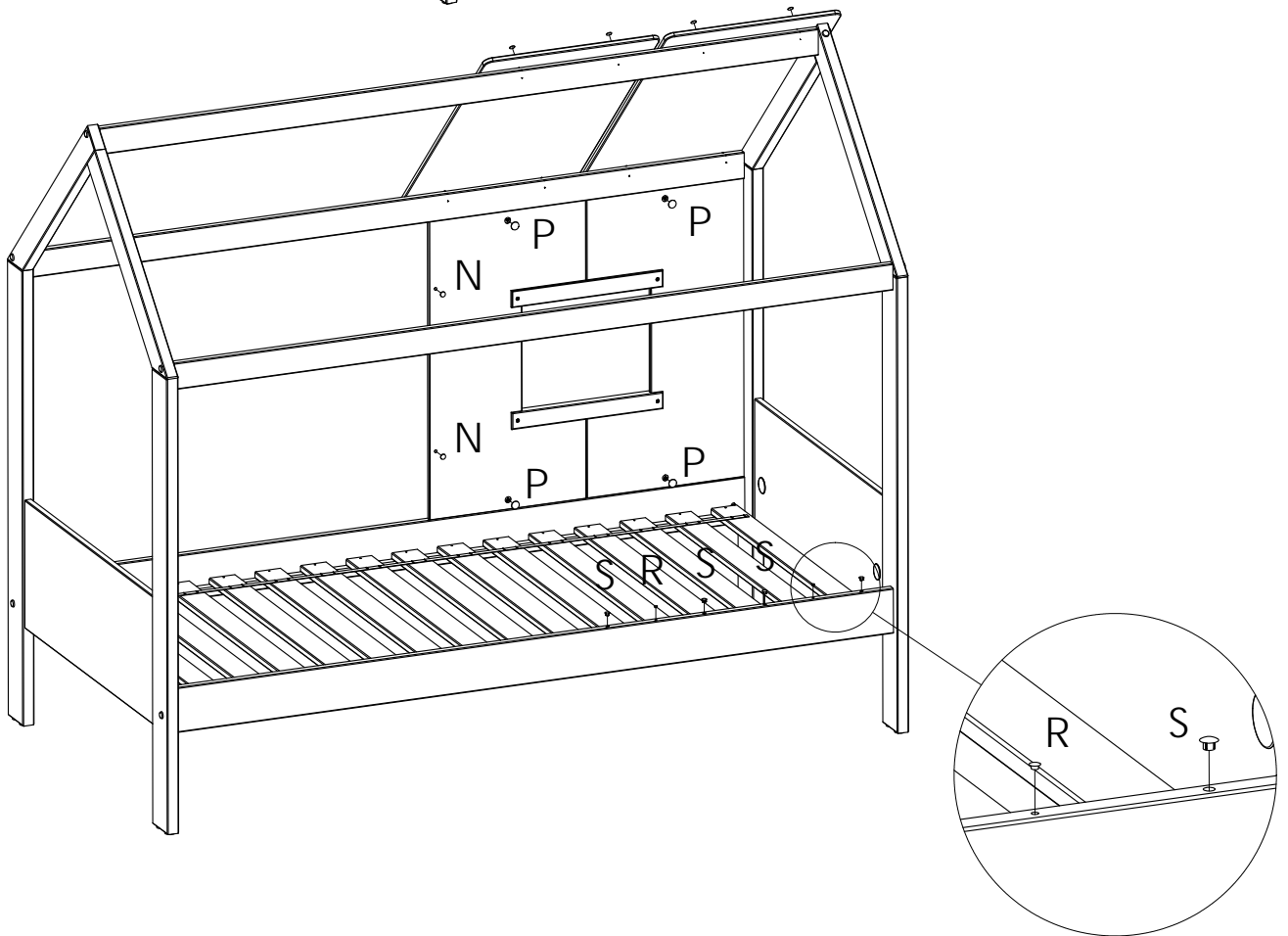
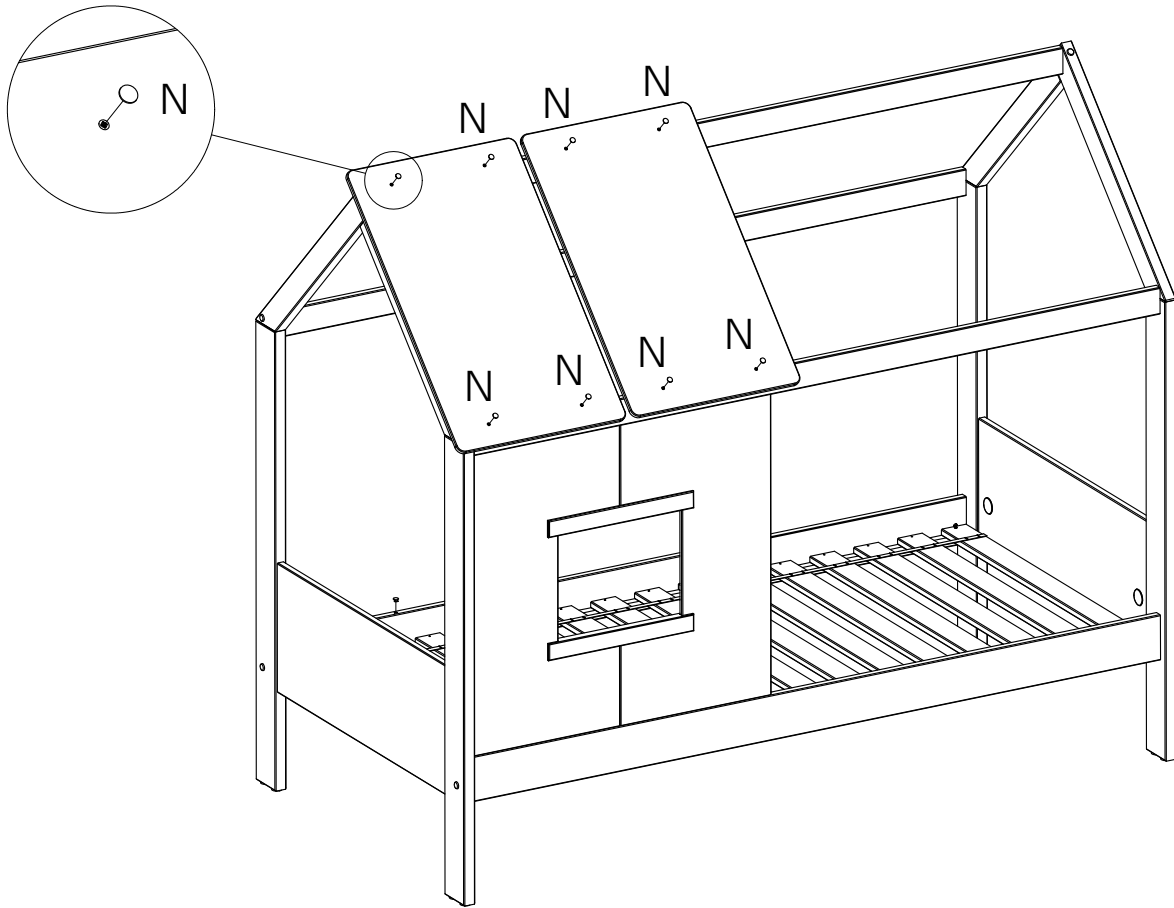
M







3,5x35

x32

14



N		D13	x10
P		D20	x4

R		D5x8	x2
S		D8x13	x4

Important Information

Warning: This bed is not suitable for children under 4 years old.

Warning: Do not place this child's bed near heat sources, windows or other furniture.

Warning: Do not use this child's bed if any part is broken, torn or missing.

It is recommended that you always follow the manufacturer's instructions to assemble this product. It is also recommended that periodically that all fixings are checked and tightened if required.

IMPORTANT! KEEP ASSEMBLY INSTRUCTIONS FOR FUTURE REFERENCE

This product is intended for use by children over 6 years old.

This bed conforms to BS8509:2008+A1:2011

This Playhouse Single Bed is distributed by Kids-Avenue, BD17 7AD.

Replacement parts are available through Kids Avenue at an additional cost.

Children are likely to play, bounce, jump and climb on beds, therefore the child's bed should not be placed too close to other furniture or windows, blind cords, curtain pulls or other strings or cords and should be placed either tight to the wall or have a gap of 300mm between the wall and the side of the bed.

Recommended Mattress size: 190*90 (UK single) with a depth no more than 23cms.

General Care: Wipe clean with a slightly damp soft cloth. Avoid using all household cleaners and abrasives.

When moving your furniture, carefully lift into place.

Never drag or push across the floor as this will cause damage to the joints and could result in failure to the product that will invalidate the warranty.