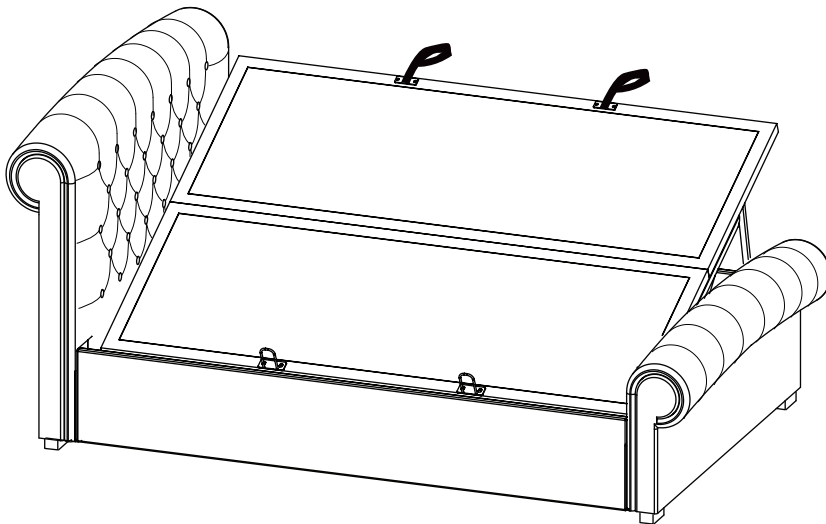
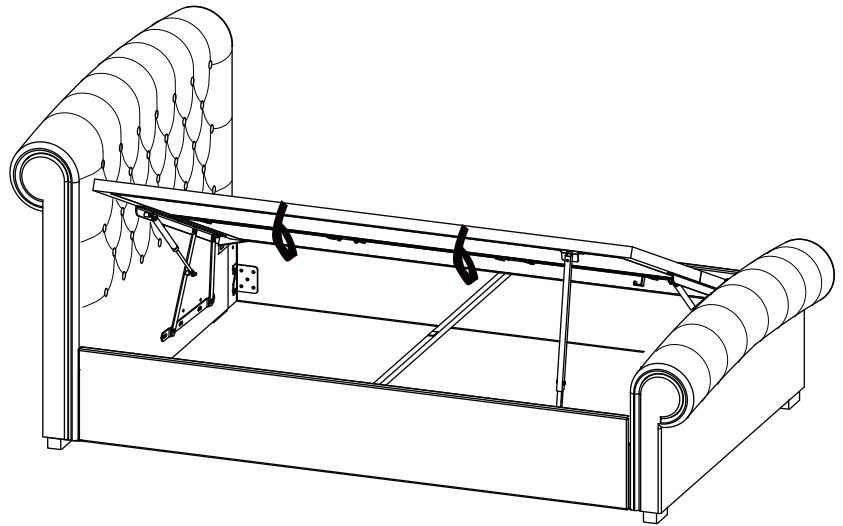


# Paris Ottoman Bed with O.S.B.



1.5 hour approx  
assembly time

Mk1 240823



Two person  
assembly

# Dreams

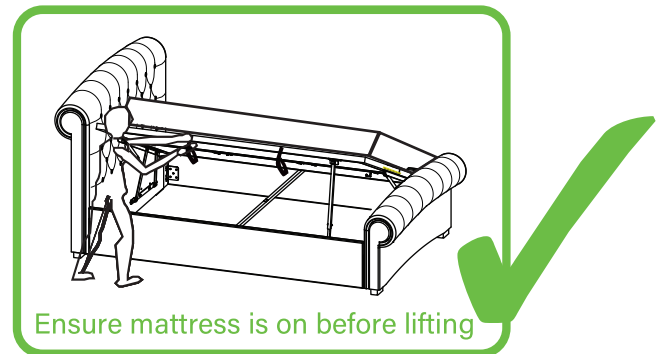
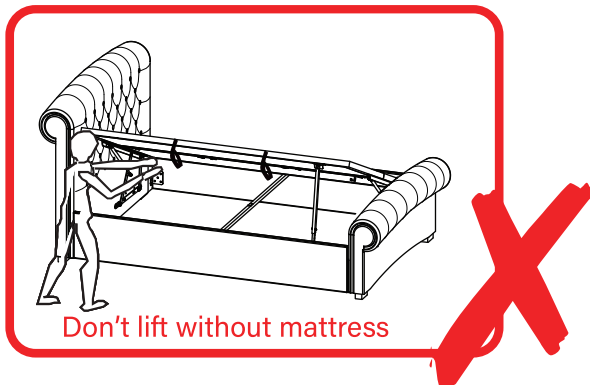
Love your bed

# **IMPORTANT OTTOMAN SAFETY WARNINGS**

- **IMPORTANT - READ CAREFULLY - RETAIN FOR FUTURE REFERENCE**
- **You must ensure that the mattress is on the bed frame before operating the lift mechanism - Failure to do so could result in injury.**
- **Keep hands clear of the mechanism when opening or closing the ottoman.**
- **Beware of entrapment - Never reach in through the mechanism to access the storage area.**
- **Always ensure that the ottoman is FULLY opened before accessing the storage area.**
- **Do not exceed the maximum weight as specified in the table below:**

Bed	Bed Size	Min Weight (kg)	Max Weight (kg)
Paris	Double	20	55
	King	20	60
	Super King	30	70

## **IMPORTANT OTTOMAN SAFETY WARNINGS Cont.**



- **Use caution when operating, always use the handle when lifting.**
- **Note: This bed uses a pressurised mechanism.**
- **To be operated by adults only.**
- **Please ensure that children and pets are kept away from the bed when operating the lift mechanism.**
- **Keep children and pets away from the storage area.**
- **Do not overload the internal storage base.**
- **Do not stand inside the internal storage area of the bed.**
- **Before removing the mattress secure the frame to ensure it does not open unexpectedly.**
- **Do not attempt to lie on the mattress when the ottoman is in the raised position.**
- **When lifting the ottoman, remove all bedding except the fitted sheet.**

# Ottoman Beds - Important Safety Features

Our aim is always to give you the best experience and to ensure every effort has been made to guarantee your comfort and safety. Please take time to look at these instructions as they will help remind you how to operate your ottoman bed safely.

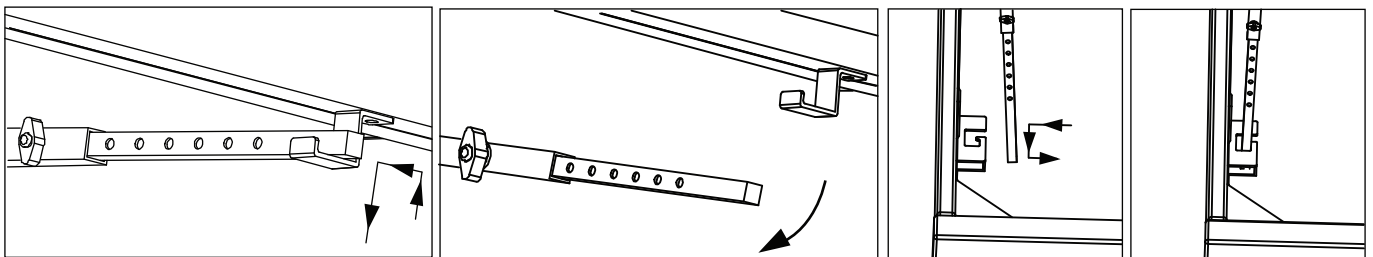
## **Here's a few things you need to remember;**

- ✓ **Pistons are already assembled, or occasionally need to be fitted, in their correct orientation - this improves piston performance and durability.**
- ✓ **"Break in " the piston seals on first use by raising & lowering the platform at least five times.**
- ✓ **Recommended mattress weights - do not exceed the maximum relevant weight specified in this Assembly Instruction.**
- ✓ **Ottoman support bar - always engage the support bar when accessing the ottoman storage area.**

Read all the instructions before using your Ottoman bed-frame and save the instruction booklet for future reference.

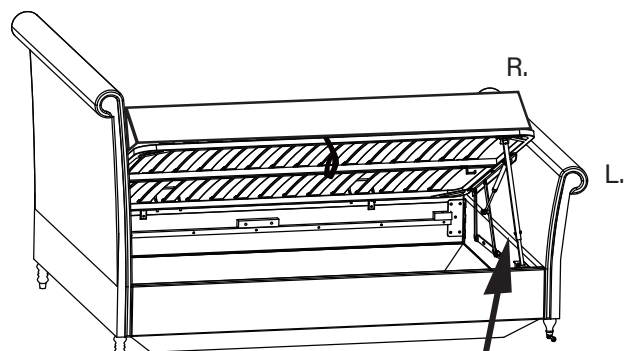
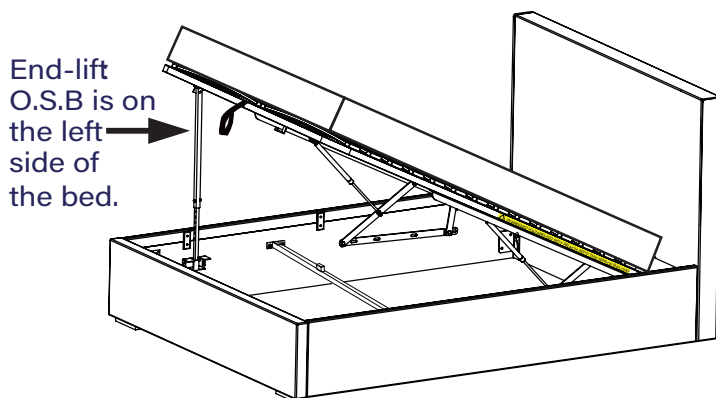
## **Ottoman Support Bar (O.S.B.)**

**For optimal safety during operation, always ensure the O.S.B. is engaged when accessing the ottoman storage area.**



1. Always raise the ottoman slat-frame to it's highest position before using the storage area.  
Locate the end of the O.S.B and insert into the fixed retaining bracket on the bed frame.
2. When you are ready to lower the ottoman platform, return the O.S.B to its original parking position.
3. Always ensure that the O.S.B is in position when the ottoman is open, this prevents injury, or damage to the product.

## **Location of the O.S.B**



Side-lift: O.S.B is on either the left side or right side of the footend or side rail.

## **WARNING! Risk of Entrapment**

- The pistons on the ottoman bed frame can support a maximum load (evenly spread) as indicated in the Minimum and Maximum load table, on Page 2 of this Assembly Instruction.
- Overloading the sleeping platform may contribute to damage to the product resulting in potential serious injury.
- Do not sit on the mattress whilst the platform is in motion or is in the raised position.
- Users should only get in and out of bed when platform is in the flat (horizontal) position.

# Thank you

Hello, thanks for choosing to purchase your bed from Dreams - you're now on your way to your best ever night's sleep. Before you begin building your bed, please take a moment to read through the instructions and make sure that you've got all the relevant parts listed on the following pages.



## Assembly tips

Before you begin, it's best to identify all parts and fittings to build your bed. We advise laying these out on the floor to check you have everything, and familiarising yourself before building.



## Top tip

We recommend that you build your new bed in the room you'd like it to be located - this will help prevent any risk of damage to your newly built bed whilst moving it.



## Safety and care

It's really important to ensure children and animals are kept away from the assembly area, as there are small components used in this bed which could present a choking hazard. All plastic and wrapping materials should also be kept away from children and animals to prevent any risk of suffocation. To keep your little ones busy, there is a colouring page inside the back cover.



## Help and support

At Dreams, it's our mission to give the whole nation a great night's sleep - this means that the quality of our products is of utmost importance to us. If there are any issues with your product or any missing parts, please visit our website at [www.dreams.co.uk/help](http://www.dreams.co.uk/help)



## Recycling

As part of our zero to landfill policy, we're more than happy to collect and recycle your old bed or mattress, ensuring no part goes to waste. We will also take away all your packaging for recycling at point of delivery. Please check out our services on [www.dreams.co.uk/recycling-services](http://www.dreams.co.uk/recycling-services) for more information. If you do not want us to do this, please check with your local recycling centre on the best recycling method.

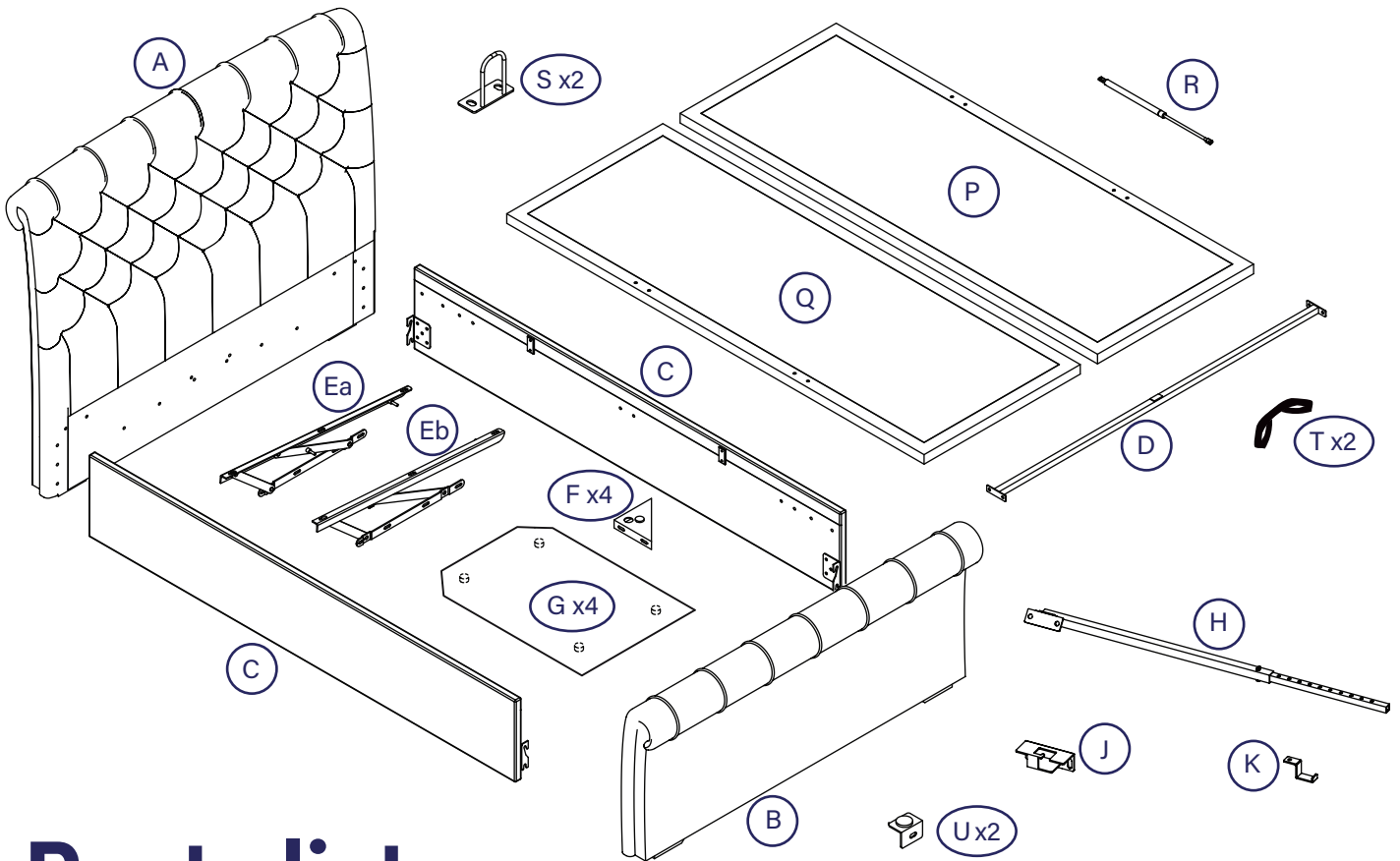
# Parts

## Important information

The bed you have purchased comes with two different base options, mattress base board or Sleepmotion base. Identify which base you have purchased as the assembly method may change.

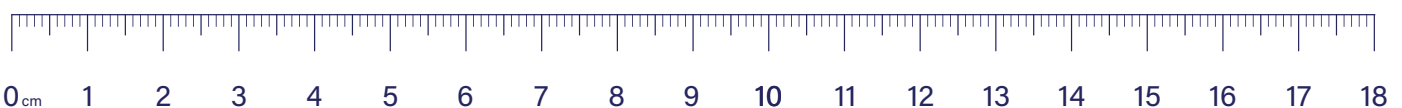
If you have purchased the mattress base board please follow the instructions below in the current order.

If you have purchased a Sleepmotion base, please follow the assembly instructions provided in the Sleepmotion side rail pack 2L. Once the base is built please follow the AI provided in pack 2L to build your frame around the Sleepmotion Base.



## Parts list

Code	Description	Qty	Pack	Code	Description	Qty	Pack
A.	Headboard	1	1	<u>Ottoman Support Bar pack (O.S.B.)</u>			
B.	Footboard	1	3	H.	Ottoman support bar	1	2
C.	Side Rails	2	2	J.	Fixed retaining bracket	1	2
D.	Side Rail Cross Bar	1	2	K.	Parking bracket	1	2
Ea & Eb.	Gas Lift Mechanisms	1 Pair	2	P.	Mattress Base Board - Lower	1	4B
F.	Angled Corner Brackets	4	2	Q.	Mattress Base Board - Upper	1	4B
G.	Storage Base Boards	4	5	R.	Gas Lift Pistons	2	4B
				S.	Mattress Stoppers	2	4B
				T.	Fabric Hand Straps	2	4B
				U.	Support Brackets	2	4B
					Only for Super King Size		



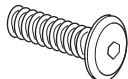


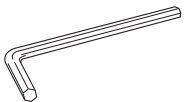
# Fittings

Please check you have all the fittings listed below with your product:



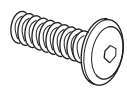
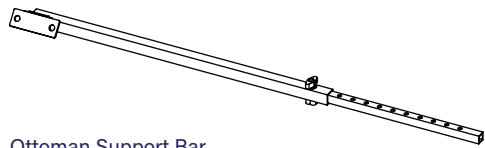
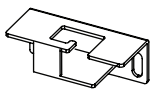
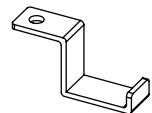
**PLEASE NOTE:** There are bolts which have been pre-fitted to the Headboard & Footboard (A&B) not included below - please study Step 2 carefully.

## Hardware needed for fixing gas-lift mechanisms to headboard & footboard

### Packed in side rail carton Pack 2 - hardware pack (A)

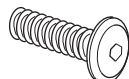




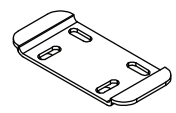
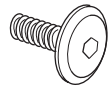
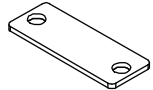
<p>a Double &amp; King x28 Super King x30</p>  <p>Bolts (M8x30mm)</p>	<p>b Double &amp; King x28 Super King x30</p>  <p>Spring Washer for M8 bolt</p>	<p>c Double &amp; King x28 Super King x30</p>  <p>Flat Washer for M8 bolt</p>	<p>d x1</p>  <p>Allen Key for M8 bolt</p>
--	--	--	--

## Hardware needed for fixing ottoman support bar (O.S.B) to the side rail Packed inside the Ottoman Support Bar carton, inside Pack 2

<p>b x5</p>  <p>Spring washer for M8 bolts</p>	<p>c x5</p>  <p>Flat washer for M8 bolts</p>	<p>m x5</p>  <p>Bolts (M8x25mm) for fitting ottoman support bar</p>	<p>H x1</p>  <p>Ottoman Support Bar</p>
<p>J x1</p>  <p>Fixed retaining bracket</p>	<p>K x1</p>  <p>Parking bracket</p>		

## Hardware needed for fitting the mattress base boards

### Packed in mattress base board Pack 4B - hardware pack (C)

<p>a Double &amp; King x20 Super King x22</p>  <p>Bolts (M8x30mm) for fitting metal connection plates (n) to mattress base boards (P&amp;Q)</p>	<p>b Double &amp; King x20 Super King x22</p>  <p>Spring washer for M8 bolts</p>	<p>c Double &amp; King x20 Super King x22</p>  <p>Flat washer for M8 bolts</p>	<p>h x4</p>  <p>Flanged lock-nuts (M8) for gas-lift pistons</p>
<p>j x1</p>  <p>Spanner for M8 nuts</p>	<p>n x4</p>  <p>Metal connection plates for mattress base board (P&amp;Q)</p>	<p>p x8</p>  <p>Big Head Bolts (M8x20mm) for fitting metal plate (q) and mattress stoppers (S)</p>	<p>q x2</p>  <p>Metal plate for fabric hand strap</p>

# Tools required



Tape measure



Cross head screwdriver

1a

For Double or King Size, prepare headboard & footboard choosing from which side to lift up the mattress base.

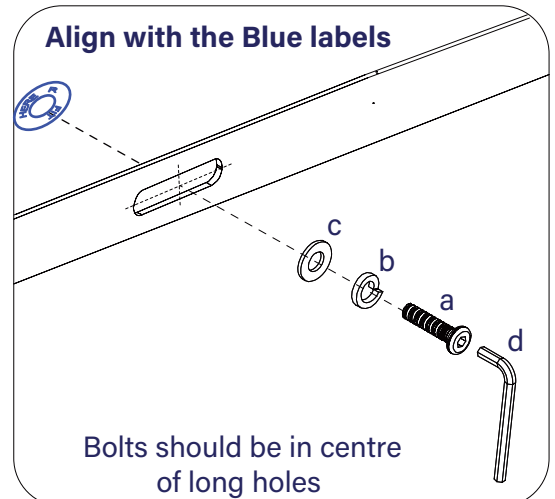
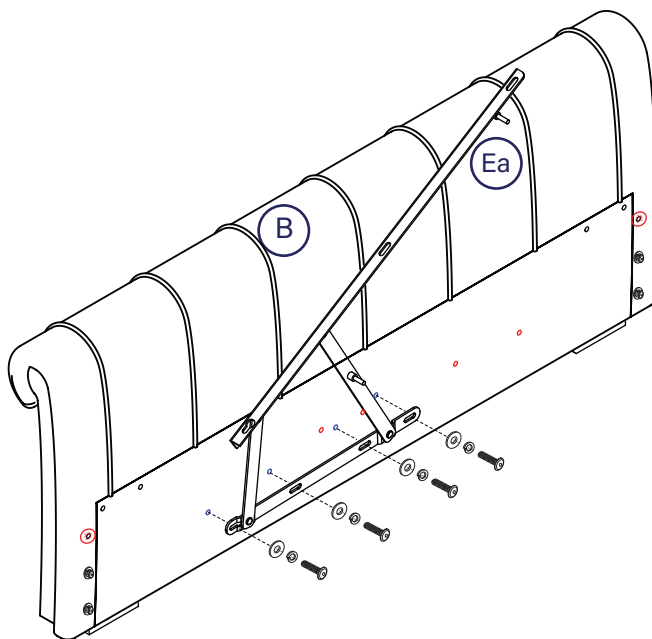
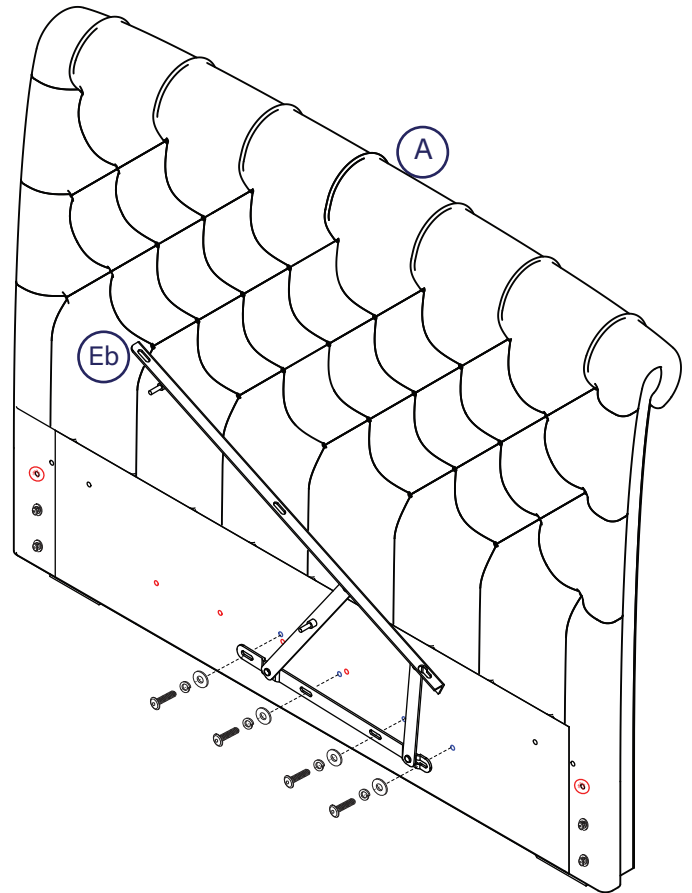
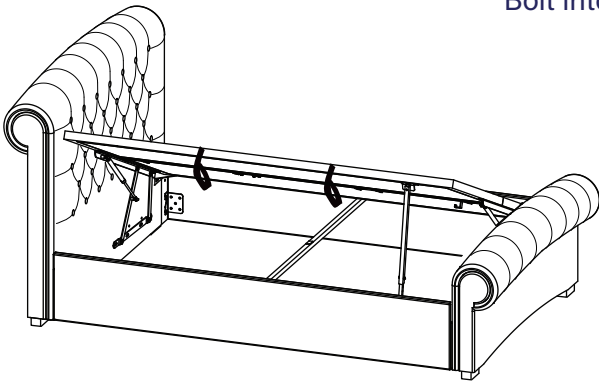
Follow these instructions if you want to lift the base up from the LEFT side of the bed.



### Double or King Size

Check this diagram and if access is needed from the left side, fit both lift mechanisms to right side of the headboard & footboard. Bolt into the holes marked (R) with blue labels.

The mechanisms are labeled E(a) & E(b). Please carefully follow the diagram below.



**1b** Follow these instructions if you want to lift the frame up from the **LEFT** side of the bed.

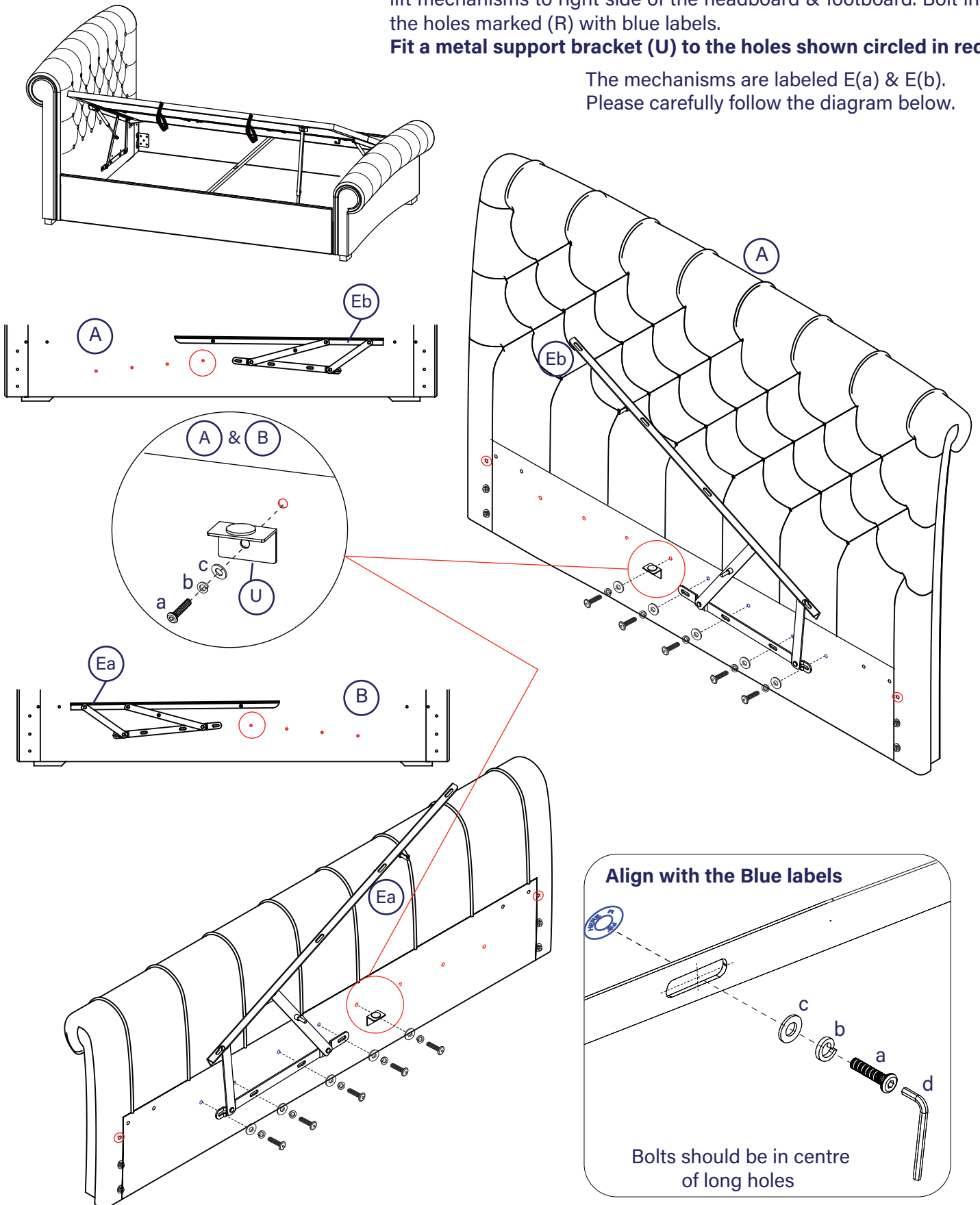


**Super King Size**

Check this diagram and if access is needed from the left side, fit both lift mechanisms to right side of the headboard & footboard. Bolt into the holes marked (R) with blue labels.

**Fit a metal support bracket (U) to the holes shown circled in red.**

The mechanisms are labeled E(a) & E(b). Please carefully follow the diagram below.





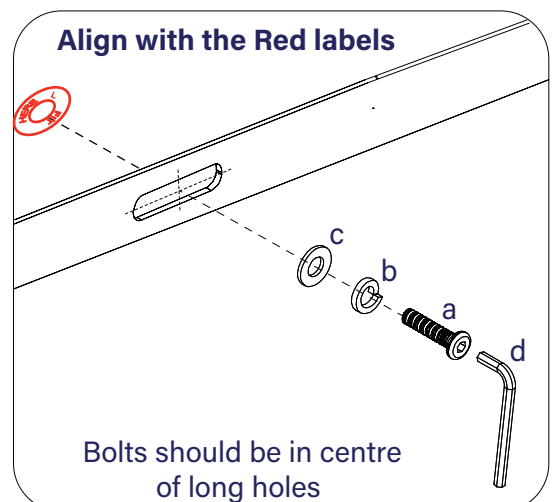
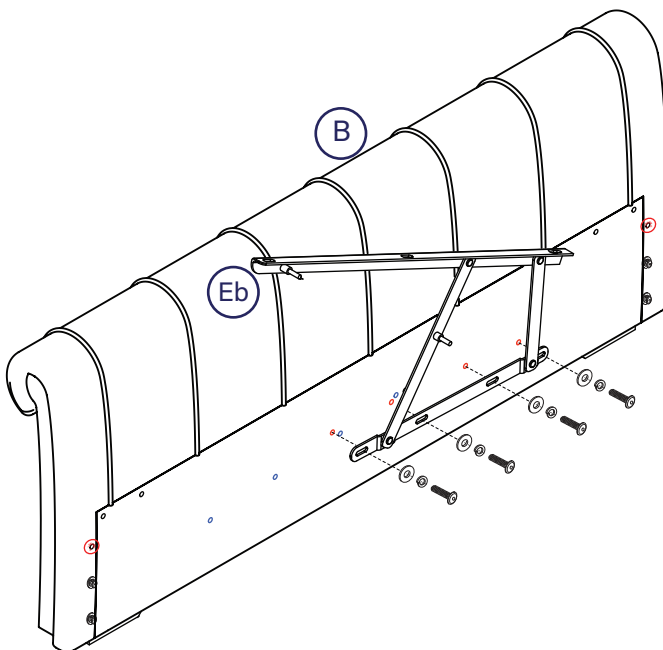
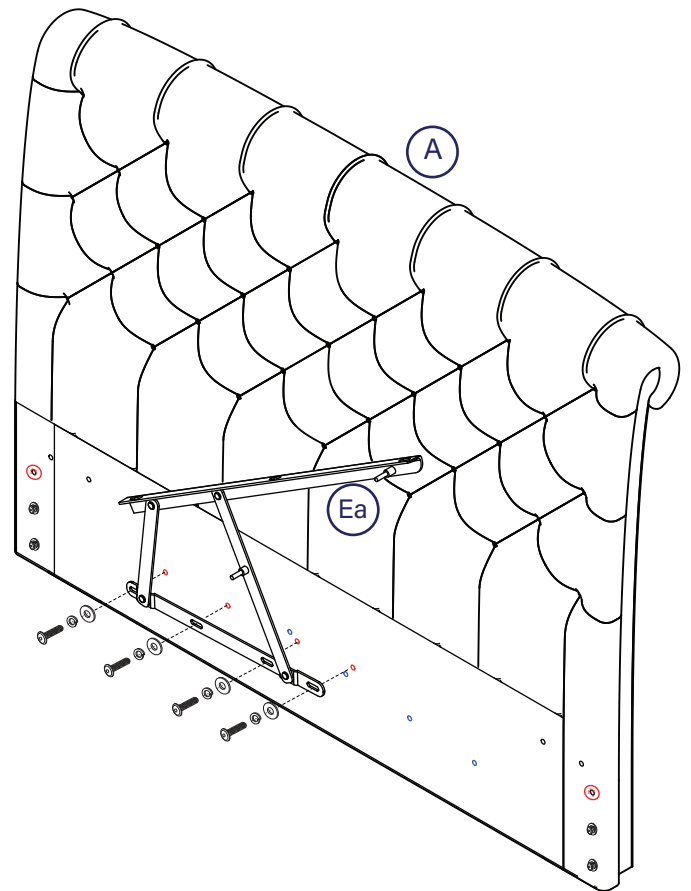
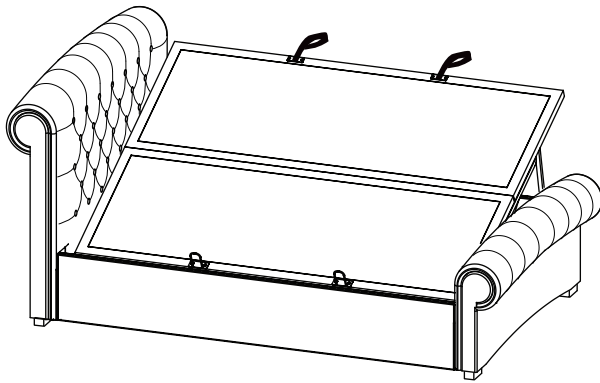
**1C** Follow these instructions if you want to lift the frame from the **RIGHT** side of the bed.



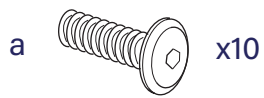
### Double & King

Check this diagram and if access is needed from right side, fit both lift mechanisms to left side of the headboard & footboard.  
Bolt into the holes marked (L) with red labels.

The mechanisms are labeled E(a) & E(b)  
please carefully follow the diagram below.



**1d** Follow these instructions if you want to lift the frame up from the **RIGHT** side of the bed.

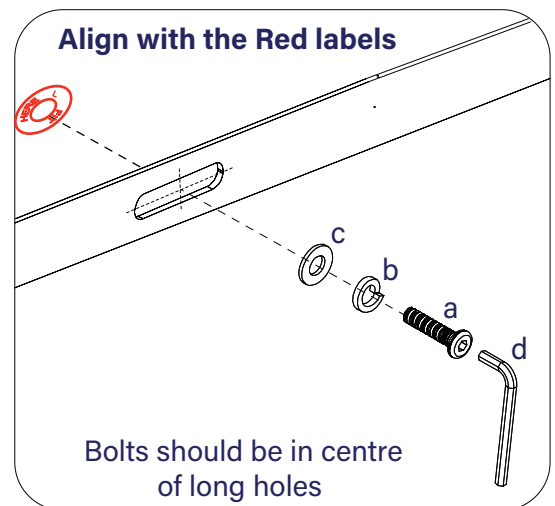
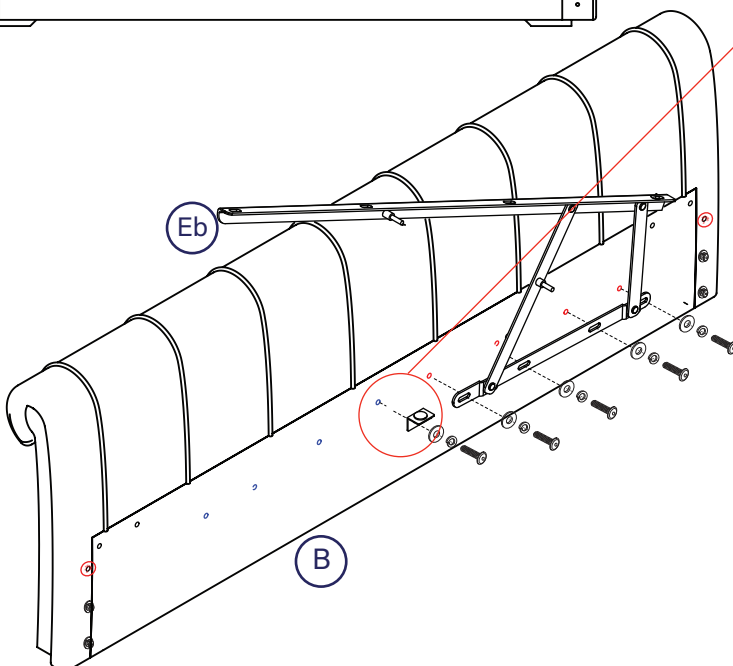
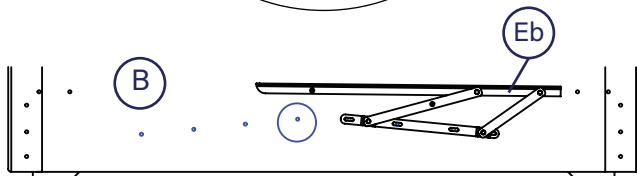
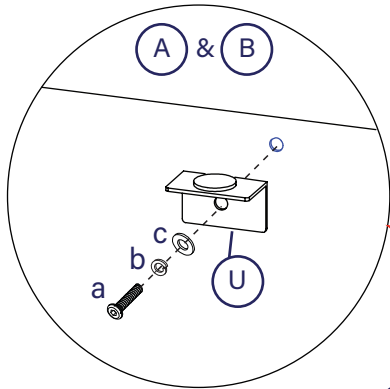
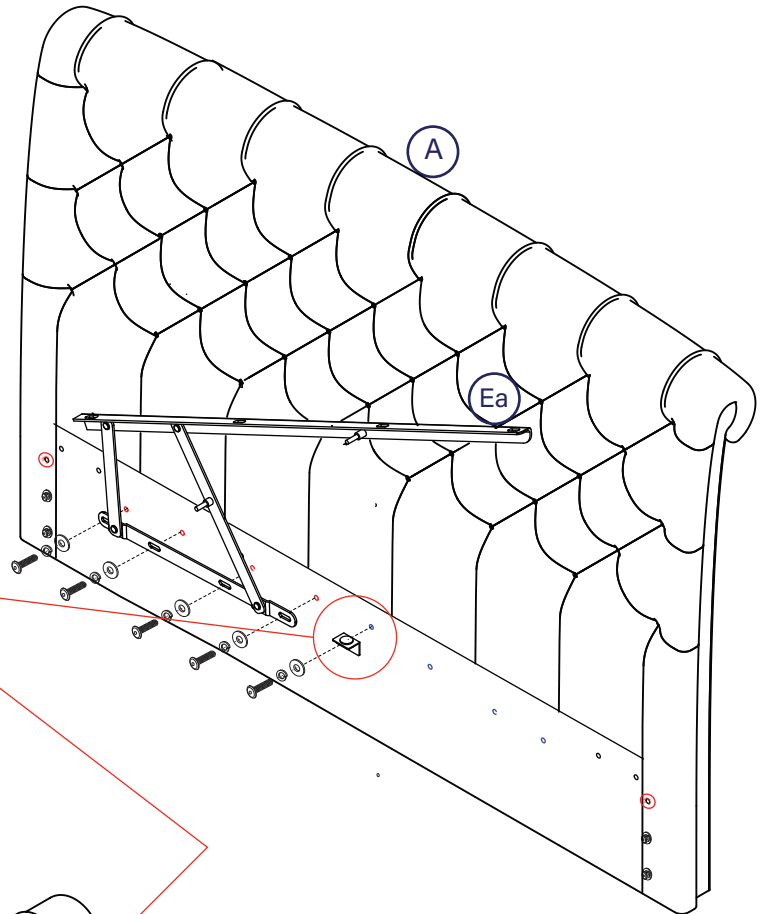
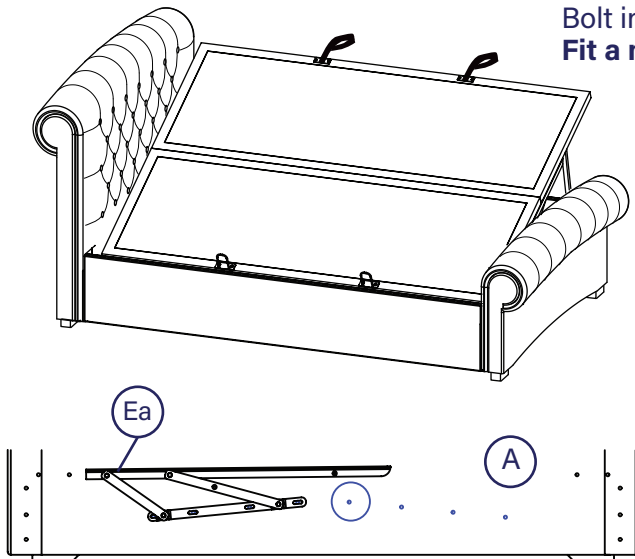


**Super King**

Check this diagram and if access is needed from right side, fit both lift mechanisms to left side of the headboard & footboard. Bolt into the holes marked (L) with red labels.

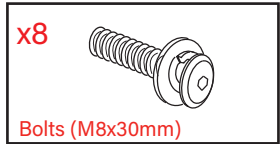
**Fit a metal support bracket (U) to the holes shown circled in blue**

The mechanisms are labeled E(a) & E(b) please carefully follow the diagram below.

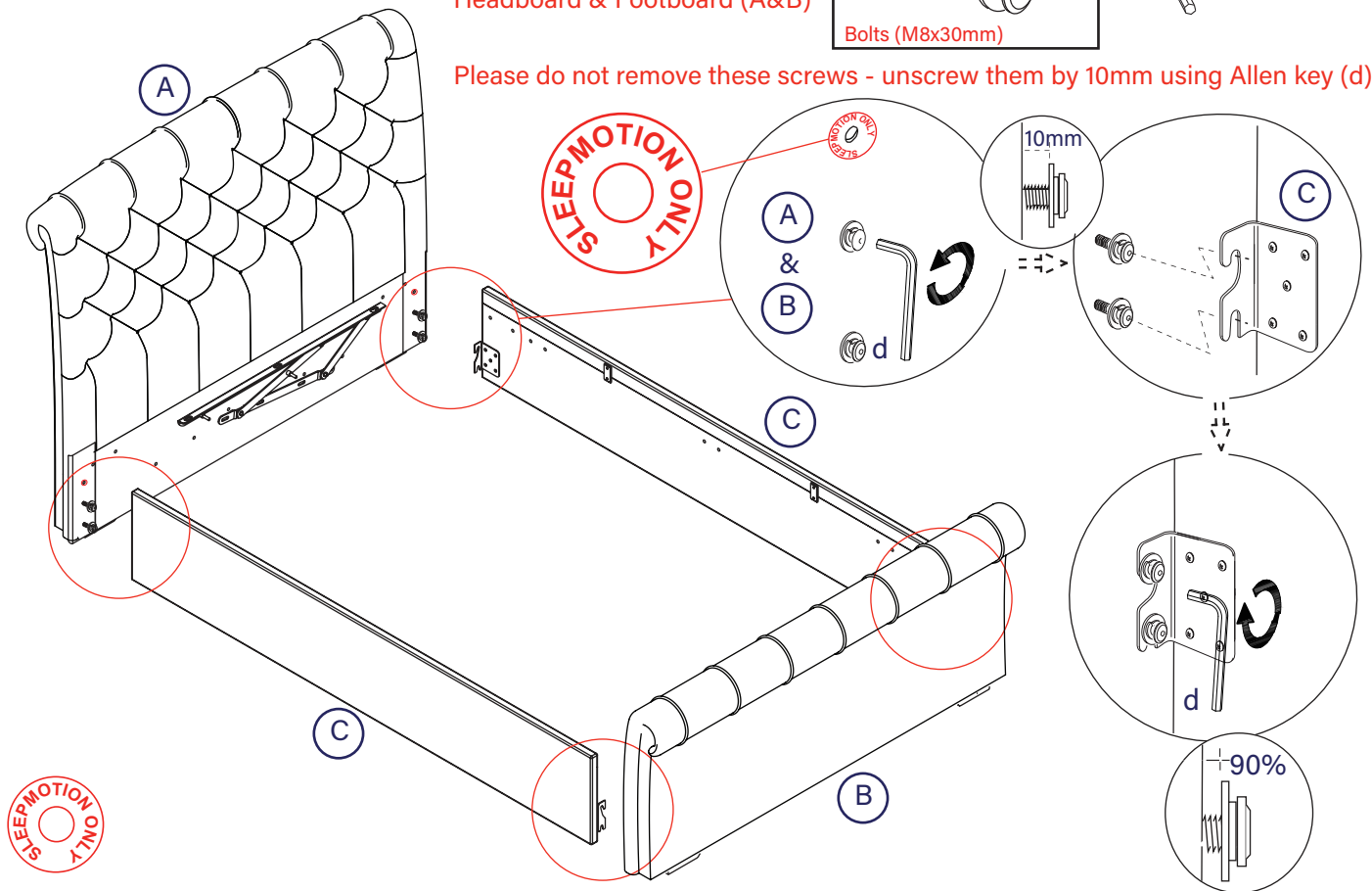


## 2 Assemble the bed

Hardware pre-fitted to the Headboard & Footboard (A&B)

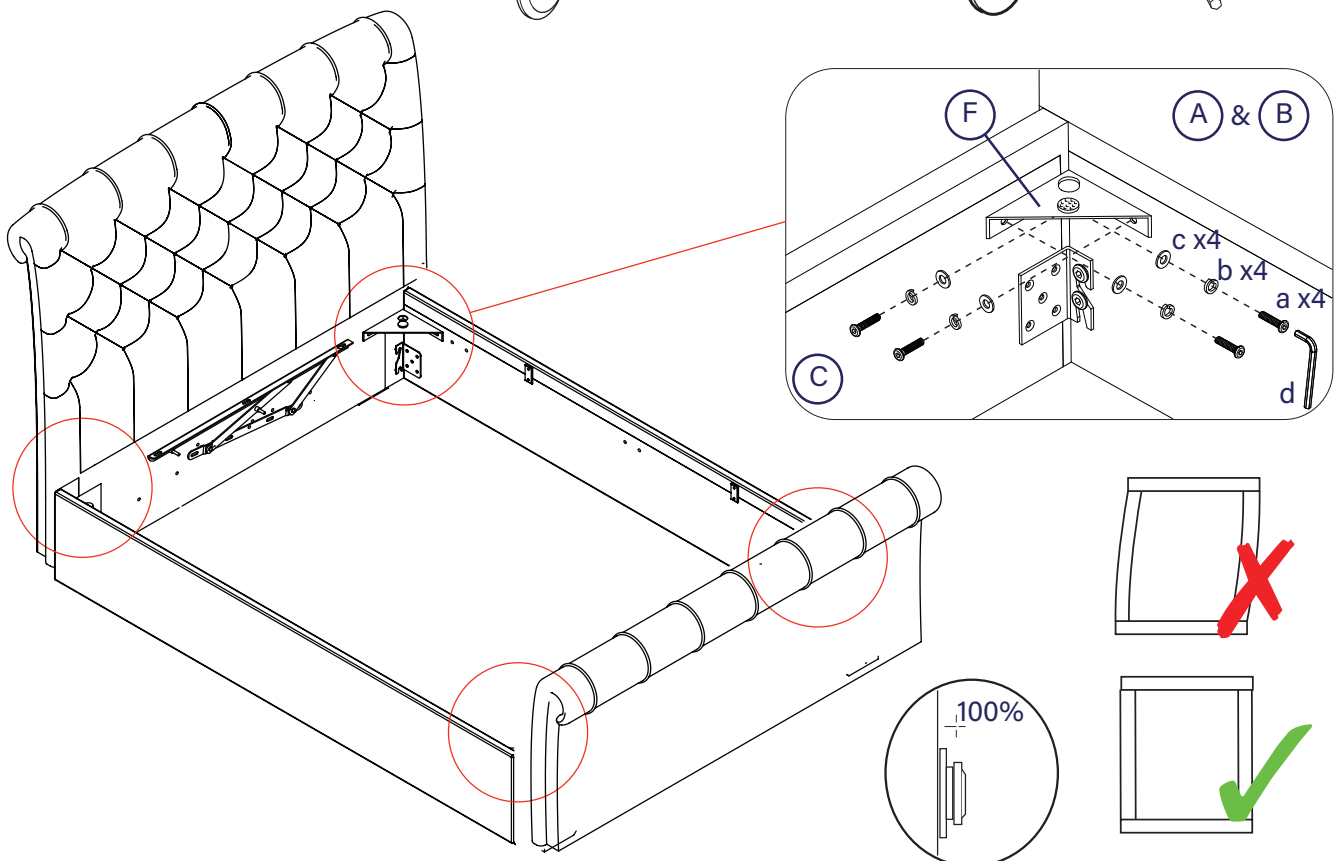


Please do not remove these screws - unscrew them by 10mm using Allen key (d)



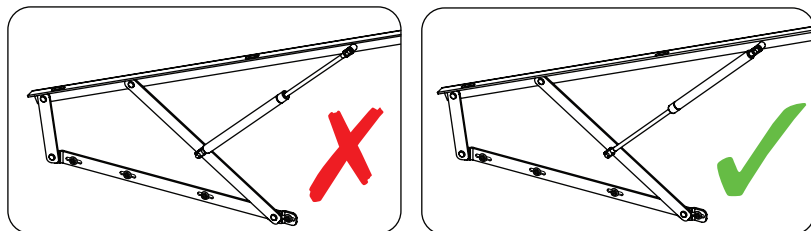
When you purchase the sleepmotion version of the bed base, these holes marked above are then used to connect the side rails. For the normal bed they are used for the headboard angle brackets (F).

## 3

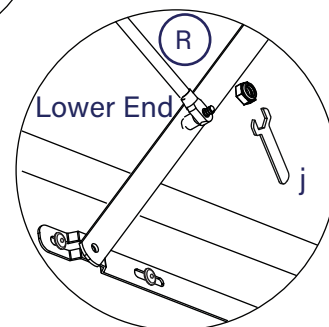
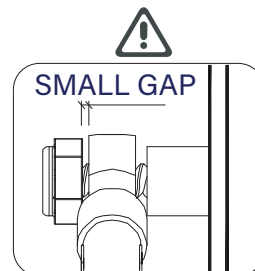
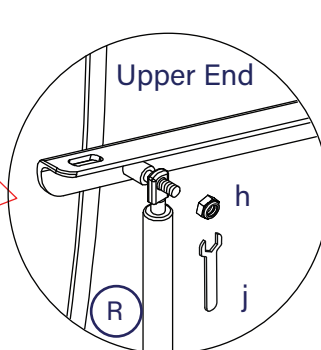
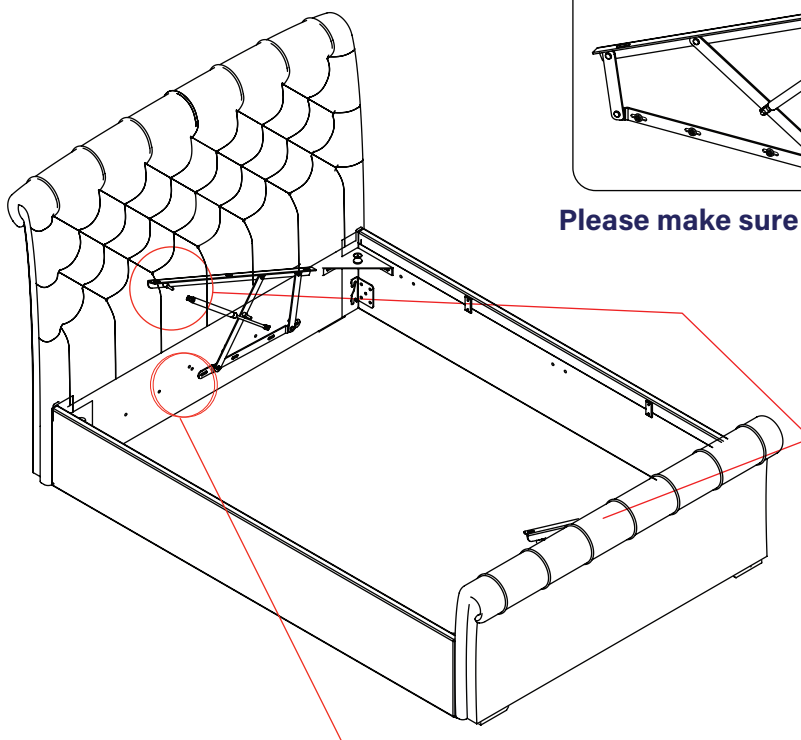


#### 4 Loosely fit both piston stems to the axles.

h  x4 j  x1



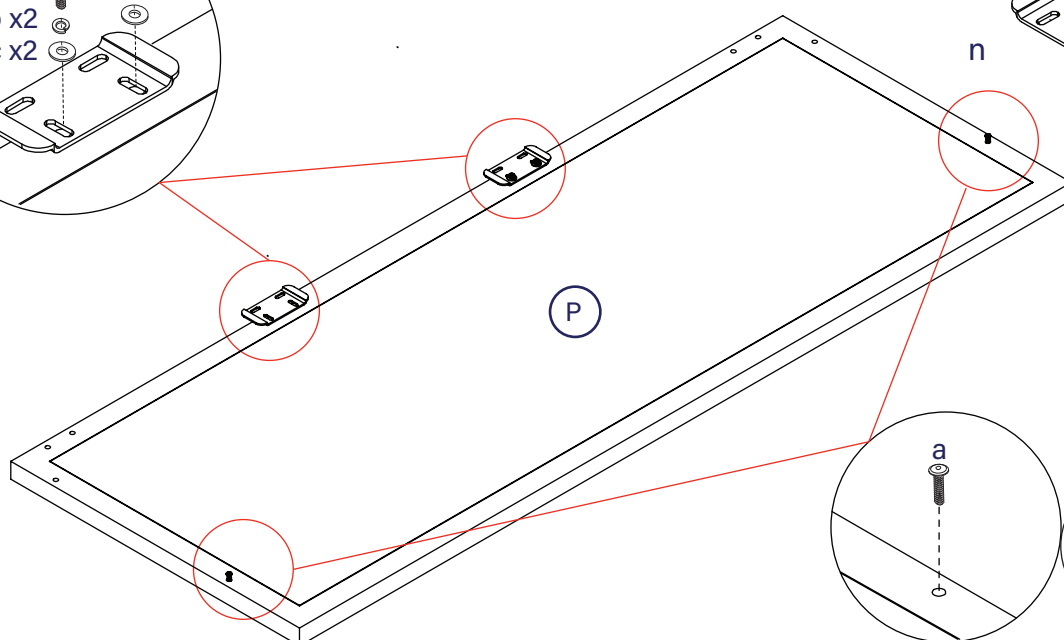
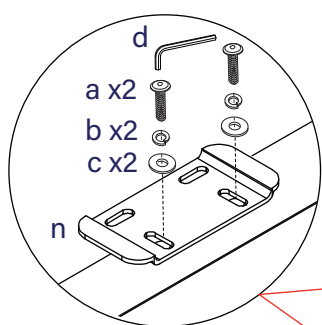
Please make sure the cylinder (largest diameter) is at the top.

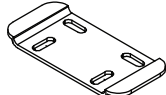


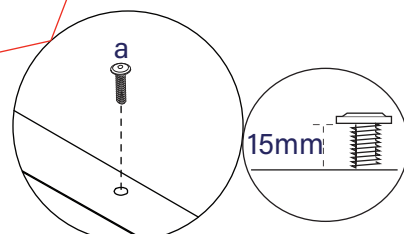
If you purchased super king size, please make certain you have fitted a support bracket (U) to the headboard & footboard next to the mechanisms - as shown in Step (1b & 1d).

#### 5 Prepare the lower mattress base board (P).

a  x6 b  x4 c  x4 d  x1

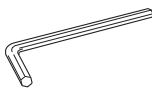


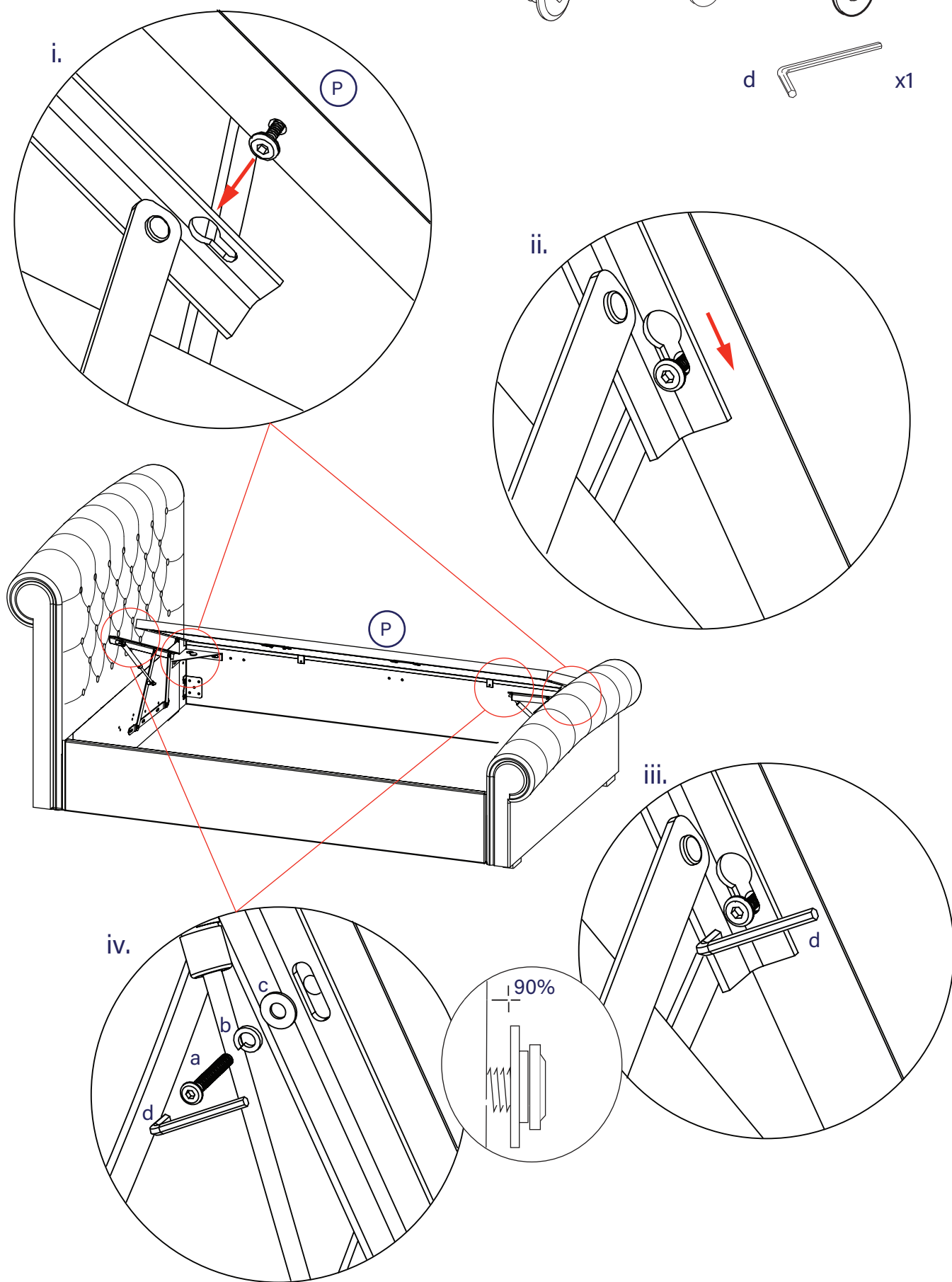
n  x2



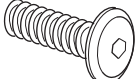


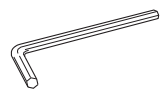
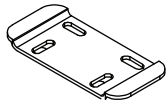
**6** Fit the mattress base board (P) at the bottom of the support arms.

- a  x2
- b  x2
- c  x2

- d  x1

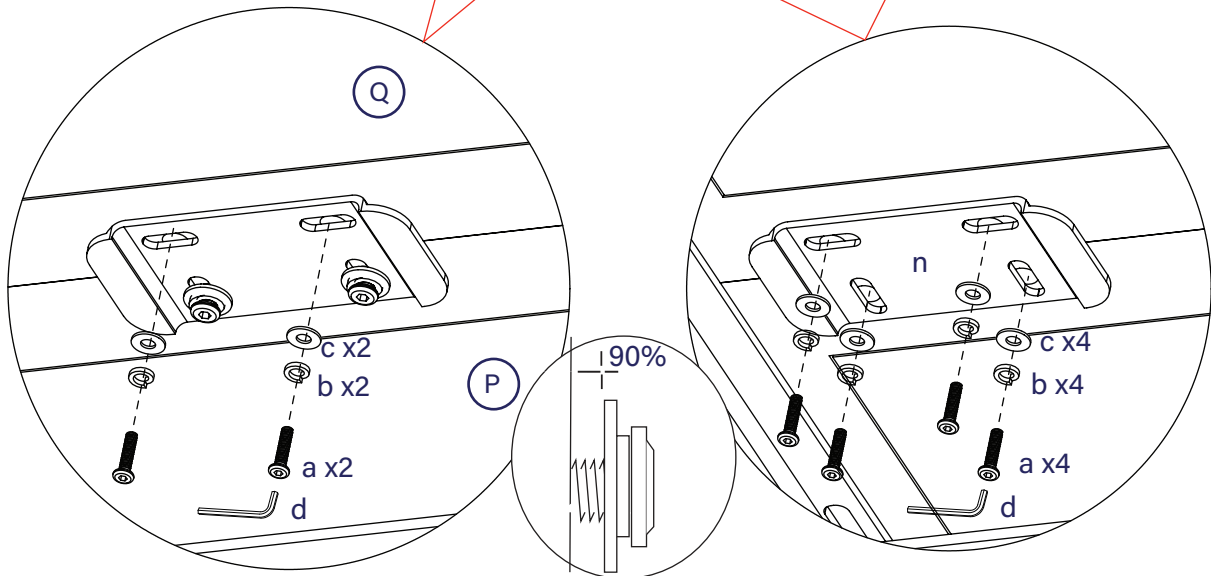
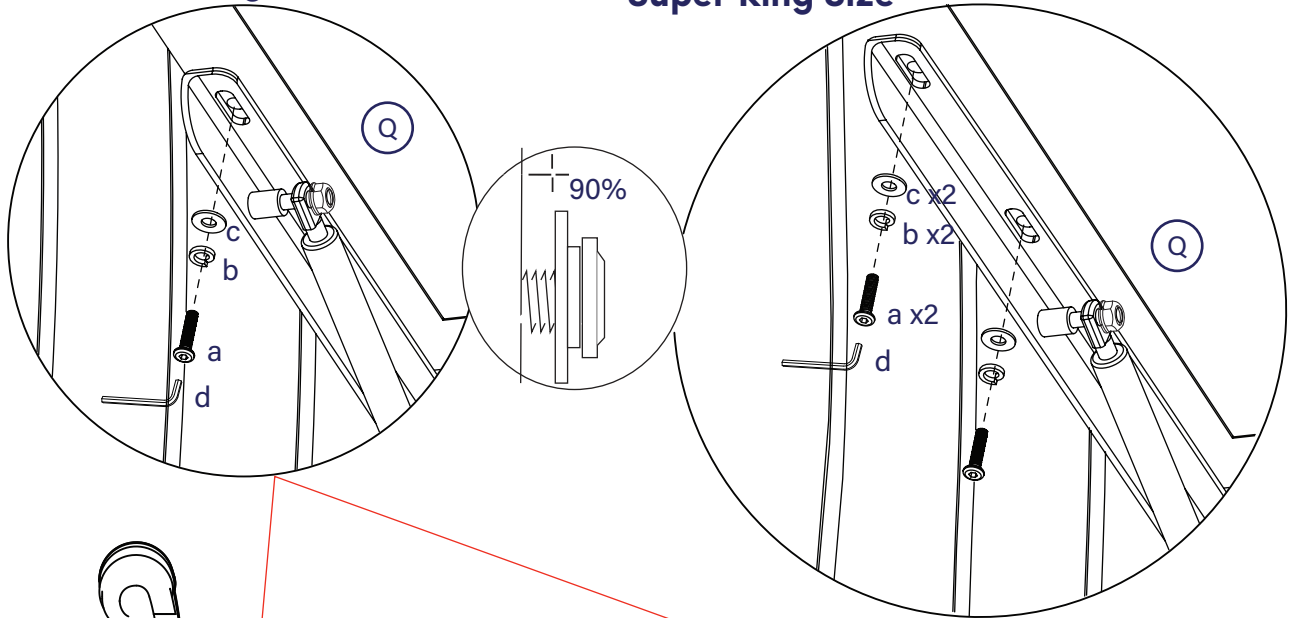


**7** Fit the mattress base board (Q) at the top of the support arms.

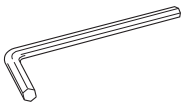
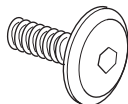
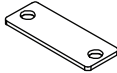
- a  Double & King x14  
Super King x16
- b  Double & King x14  
Super King x16
- c  Double & King x14  
Super King x16
- d  x1
- n  x2

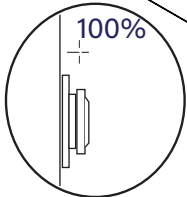
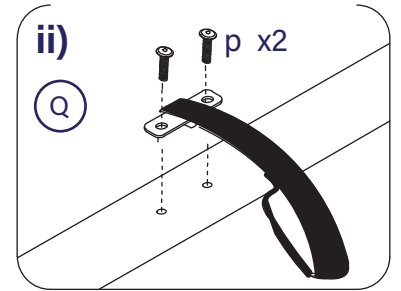
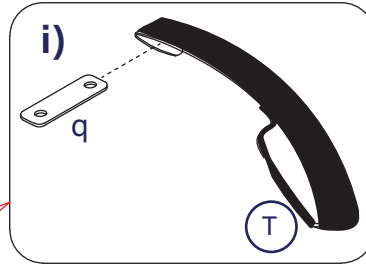
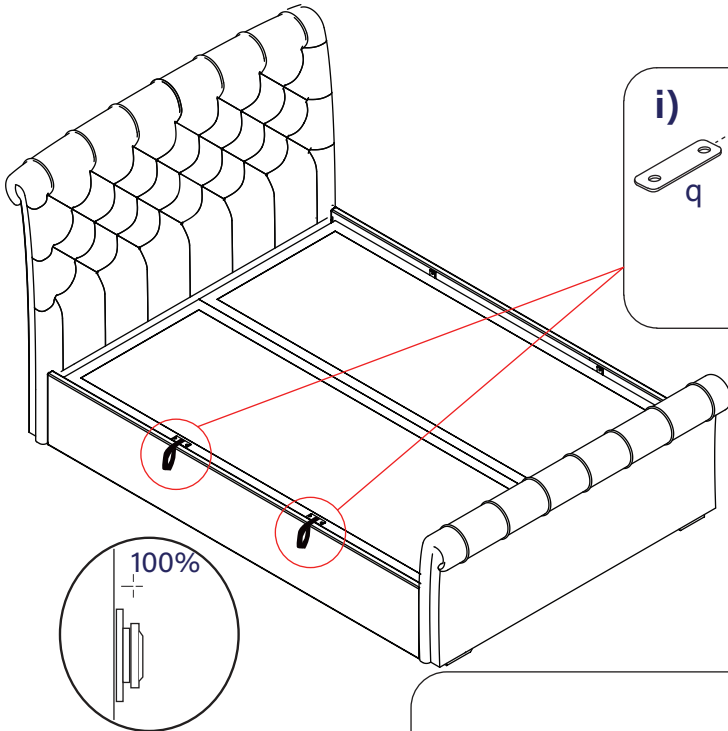
**Double & King Size**

**Super King Size**

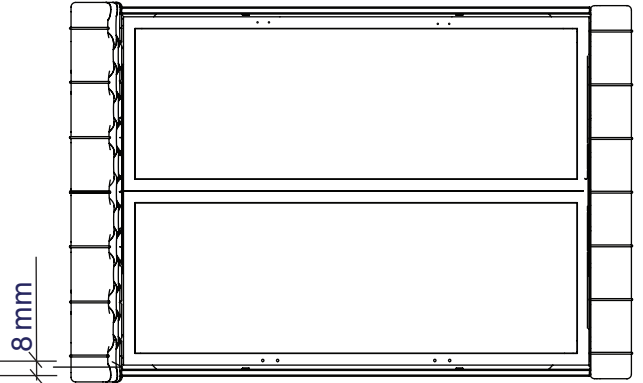
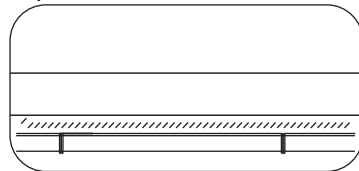


**8** Fit the fabric hand straps as shown.



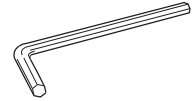
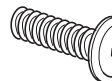
- d  x1
- p  x4
- q  x2

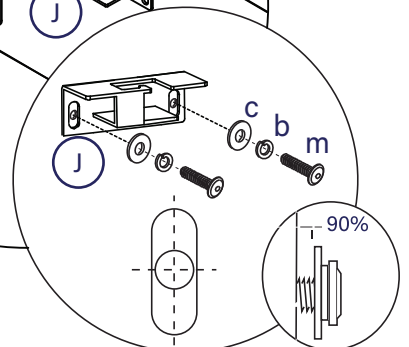
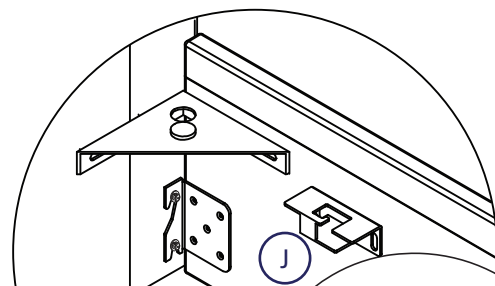
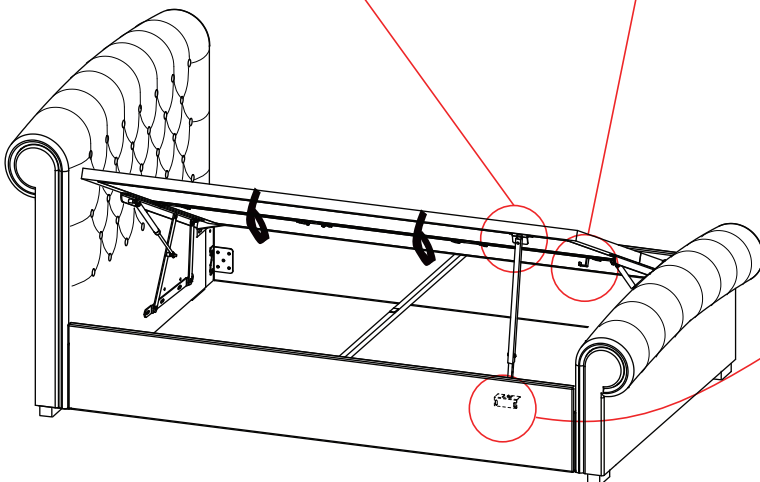
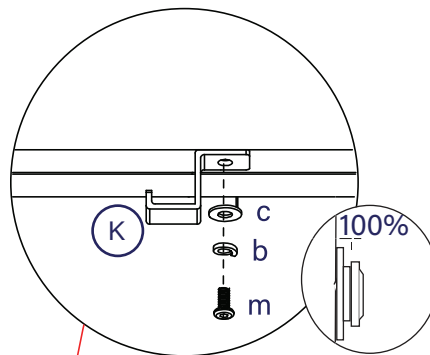
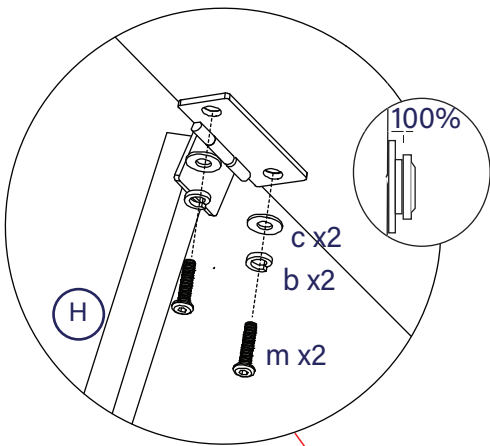


Finally, tighten all bolt sets 100% using Allen key (d).



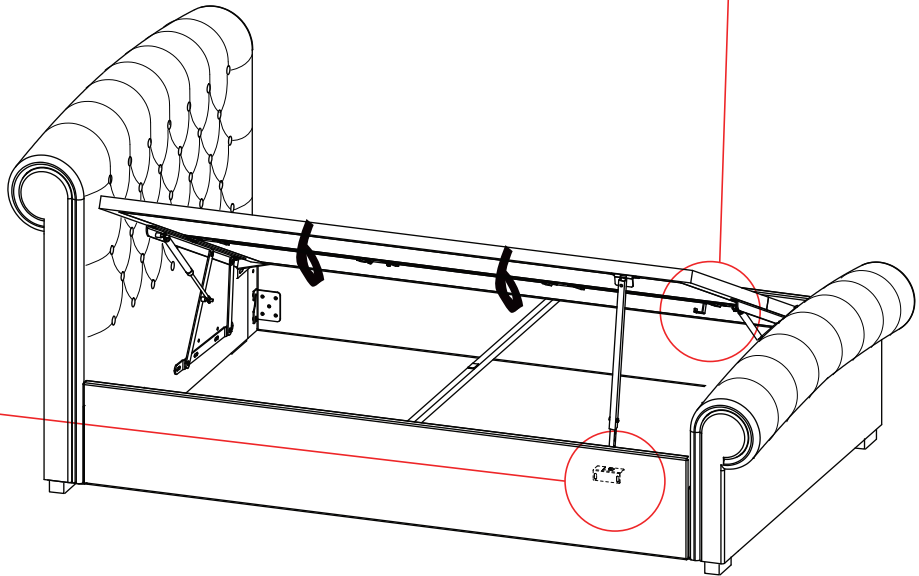
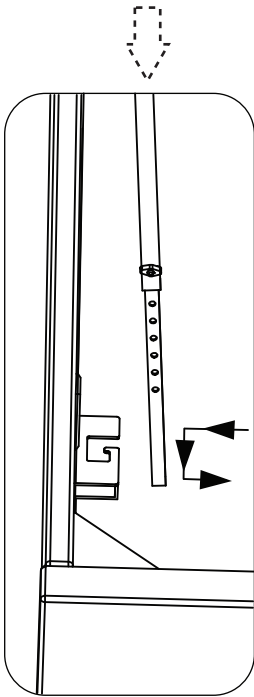
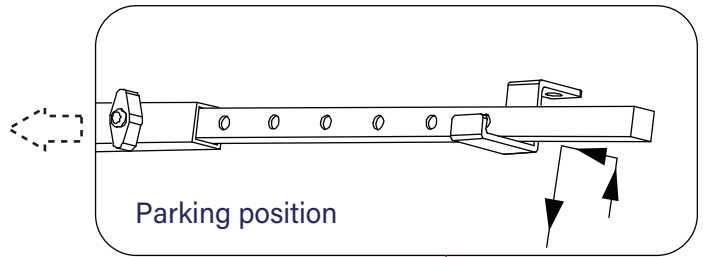
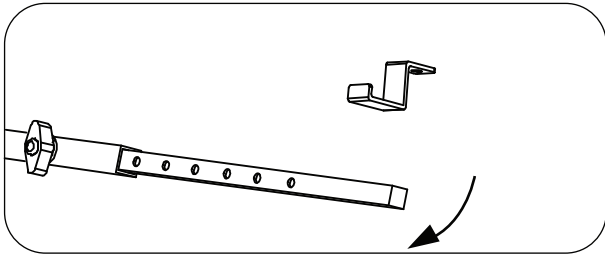
**9** Unpack the contents of the Ottoman Support Bar (O.S.B.) from it's carton - this is packed inside Pack 2.

- b  x5
- c  x5
- d  x1
- m  x5

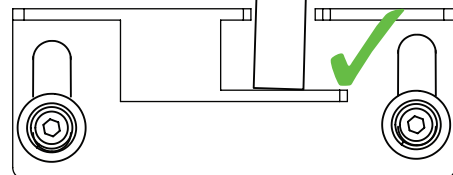
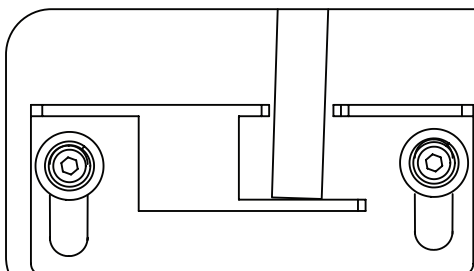
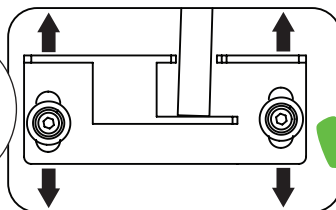
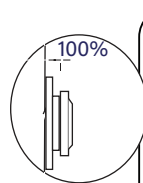
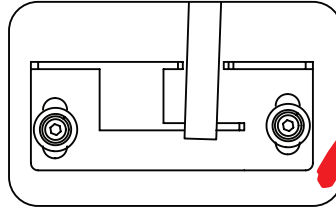
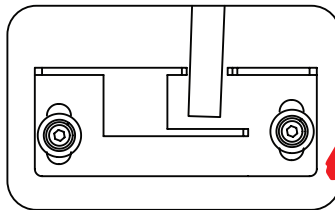


10

Setting the inner stem of the support bar (H), adjust the inner stem to the correct length



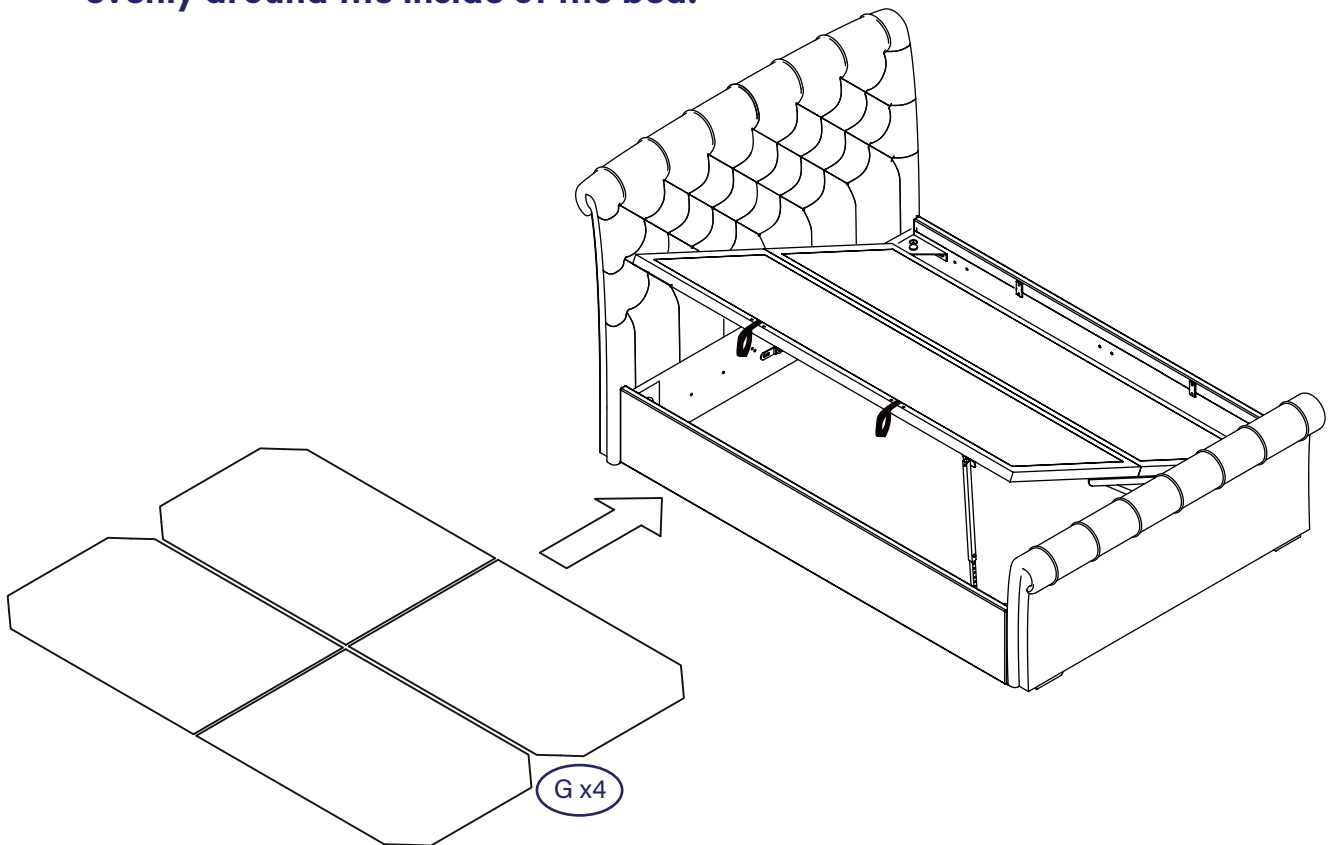
Set the inner stem to the correct length so the end just touches the retaining bracket - it needs to touch to hold it in position.



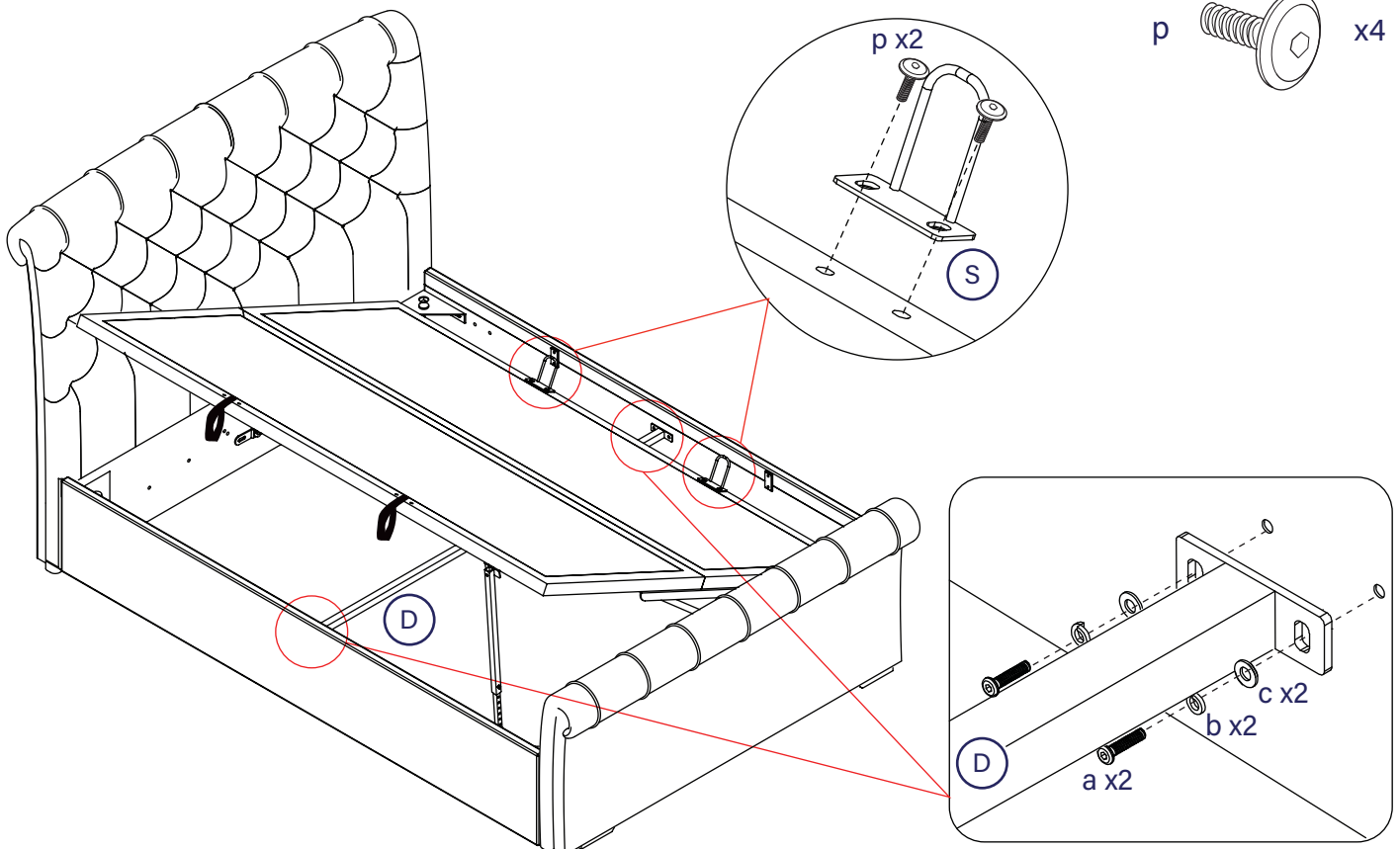
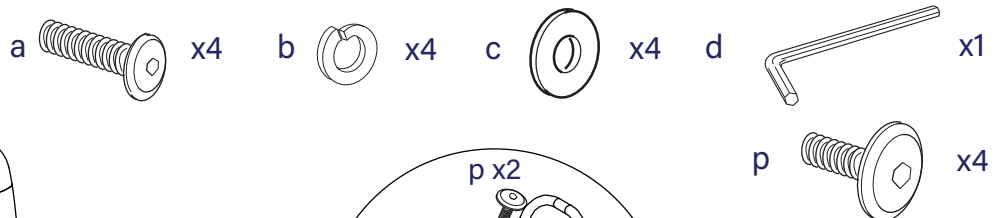
Adjust the retaining bracket (J) so the stem end scrapes the surface.



- 11** With the bed in its final location, fit the storage base boards (G) evenly around the inside of the bed.

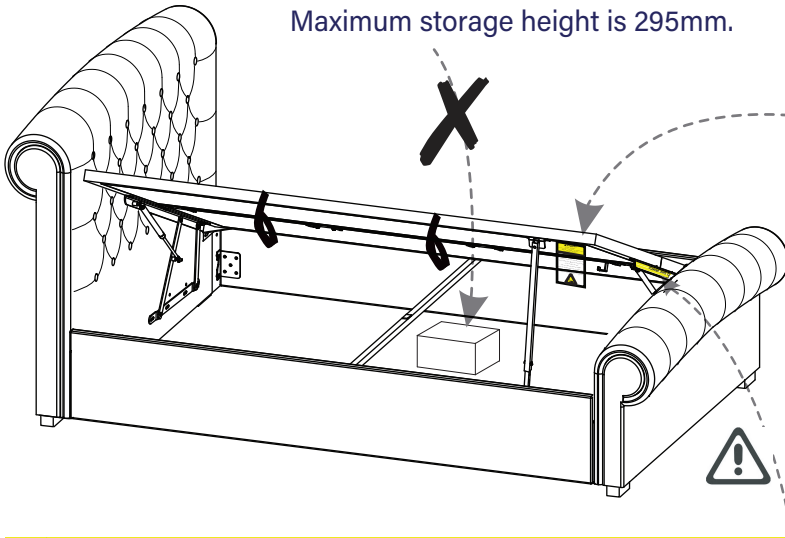


- 12** Carefully fit the side rail support bar (D) taking care not to damage the side rail fabric. Fit the mattress stoppers (S).



Note: Be very careful what you store under the bed - the top of an item, like a suitcase or a box, must not touch the mattress base or they may be damaged.

Maximum storage height is 295mm.



## WARNING

TO AVOID ACCIDENTS  
To access the storage area, the ottoman frame  
MUST BE FULLY OPENED and then  
FULLY CLOSED afterwards.

## CAUTION

To be operated by ADULTS ONLY.

Keep children and pets away from the storage area.

Avoid trapping your fingers by using the handle  
to lift & lower the base.

Only lift when the mattress is in place.

Ensure the ottoman support bar is secure when the  
base is open.

Regularly air internal storage area and contents.



**! WARNING! HAZARD - DO NOT REACH INTO THE SPACE BELOW!**

# Care and maintenance

Here are some tips to keep your new furniture in tip-top condition



## Cleaning

To clean your new furniture, we'd advise using a warm damp cloth or if fabric, remove dust using a low suction vacuum cleaner - please do not use abrasive chemicals or bleach as this may damage the product.



## Checking and moving

Periodically we recommend you check that the screws or fixtures haven't been become loose, over time. To move your new furniture, we recommend lifting it where possible, as dragging or pushing it could cause damage to the legs or flooring.



## Wood

Please note each of our wooden pieces are unique, meaning that markings and shade can vary slightly between beds. Over a period of time, the wood might lighten or fade slightly due to light exposure.



## Fabric

Please note depending on the lighting, positioning and surroundings of your room, the shade of the colour can sometimes appear slightly different. Over a period of time, the colour might lighten or fade slightly due to light exposure.



## Metal

Metal tends to be more resilient to everyday wear and tear. We recommend to gently dust your metal furniture and keep it dry to maintain its look.

**Thank you for shopping with us - we hope you have a great night's sleep**

*Sleep well*



# Little dreamers

Keep the little ones entertained while you assemble your new purchase.



**Dreams**

Love your bed