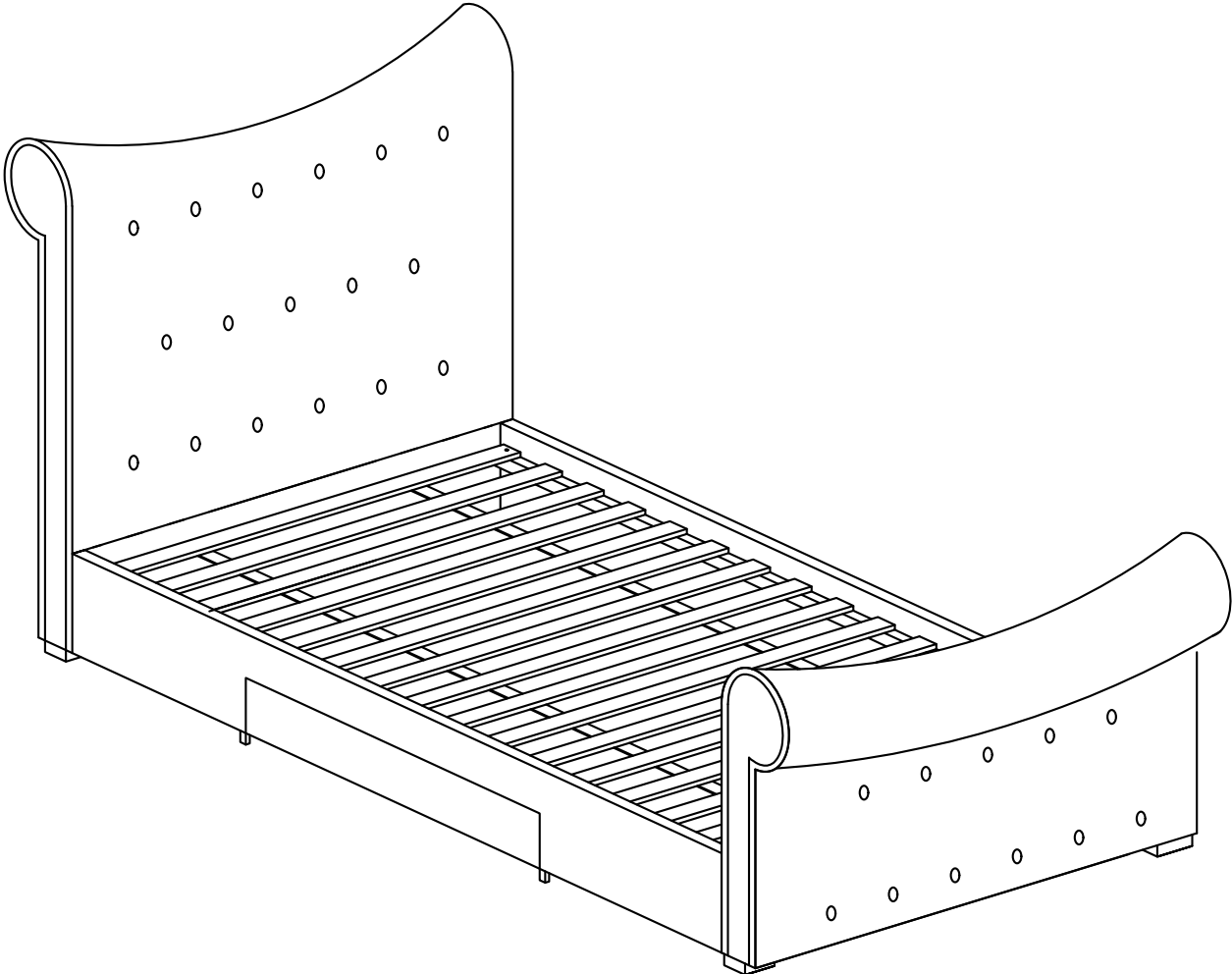


Paige Single Bed



1 hour approx
assembly time



Two person
assembly

Dreams

Thank you

Hello, thanks for choosing to purchase your bed from Dreams - you're now on your way to your best ever night's sleep. Before you begin building your bed, please take a moment to read through the instructions and make sure that you've got all the relevant parts listed on the following pages.



Assembly tips

Before you begin, it's best to identify all parts and fittings to build your bed. We advise laying these out on the floor to check you have everything, and familiarising yourself before building.



Top tip

We recommend that you build your new bed in the room you'd like it to be located - this will help prevent any risk of damage to your newly built bed whilst moving it.



Safety and care

It's really important to ensure children and animals are kept away from the assembly area, as there are small components used in this bed which could present a choking hazard. All plastic and wrapping materials should also be kept away from children and animals to prevent any risk of suffocation. To keep your little ones busy, there is a colouring page inside the back cover.



Help and support

At Dreams, it's our mission to give the whole nation a great night's sleep – this means that the quality of our products is of utmost importance to us. If there are any issues with your product or any missing parts, please visit our website at www.dreams.co.uk/help



Recycling

Please ensure that packaging is disposed of in a safe and environmentally friendly way, and recycle where possible. Our assembly instructions are printed on recycled paper. Please keep your assembly instructions safe to refer back to in the future.

IMPORTANT!

KEEP FOR FUTURE REFERENCE

WARNING. Do not place this child's bed near heat sources, windows, and other furniture.

WARNING. Do not use this child's bed if any part is broken, torn or missing.

WARNING. Not suitable for children under 4 years.

Care and Maintenance of your Furniture

- Please periodically check all fittings and re-tighten as necessary.
- To clean your item, wipe with a cloth slightly dampened with water. Then buff with a dry clean cloth.
- Routinely check that the fittings are secure and tighten any fittings using the appropriate tools.
- The child's bed conforms to BS8509: 2008 + A1:2011 standards.
- This child's bed is intended for children above 4 years old.
- The age range of the child bed is 4 - 10 years old.
- The size of the mattress to be used with the child's bed is 900mm x 1900mm.
- This child's bed should not be placed too close to other furniture or windows and should be placed either tight against a wall or have a gap of 300mm between the wall and side of the bed.
- Periodically check the condition of your bed slats and plastic locating caps to ensure they are in good condition and not become loose.
- When moving your assembled bed it is best to remove the mattress and bedding and lift the bed, never drag the frame.
- Never allow any kind of liquid to remain on your furniture. Absorption can cause finishes to delaminate.

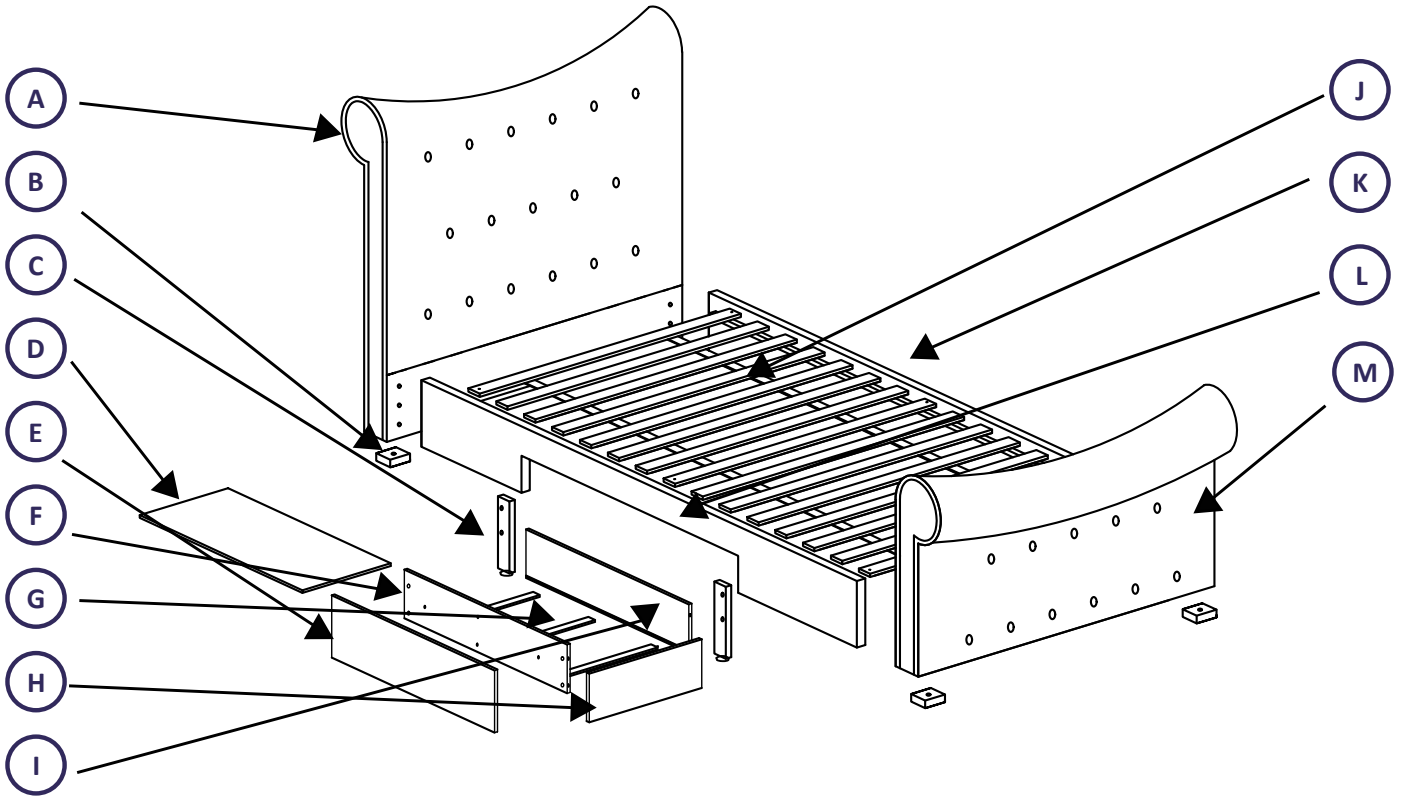
WARNING! Do not place this bed near direct heat sources.

WARNING! Do not use this bed if any part is broken, torn or missing.

WARNING! Assembly by adult only.

WARNING! Once assembled this bed is not designed to be disassembled and reassembled.

Parts

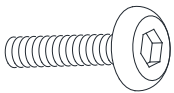


Parts list

A.	HEADBOARD	QTY	1	H.	SIDE PANEL	QTY	2
B.	WOODEN FEET	QTY	4	I.	BACK PANEL	QTY	1
C.	SUPPORT LEG	QTY	2	J.	SLATS	QTY	1
D.	DRAWER BOTTOM BOARD	QTY	1	K.	SIDE RAIL	QTY	1
E.	DRAWER FRONT	QTY	1	L.	SIDE RAIL WITH DRAWER	QTY	1
F.	FRONT PANEL	QTY	1	M.	FOOTBOARD	QTY	1
G.	SUPPORT RAIL	QTY	3				

Fittings

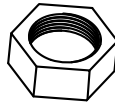
Please check you have all the parts listed below with your product:



H1: M8 x 30mm
Qty: x12



H2: M6 x 50mm
Qty: x6



H3: M6 Nut
Qty: x6



H4: M8 Flat Washer
Qty: x12



H5: M8 Allen key
Qty: x1



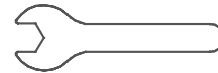
H6: M6 Allen Key
Qty: x1



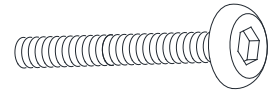
H7: Spring Washer
Qty: x12



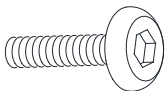
H8: M6 Flat Washer
Qty: x14



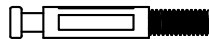
H9: M6 Spanner
Qty: x1



H10: M8 x 50mm
Qty: x4



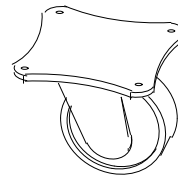
H11: M6 x 35mm
Qty: x8



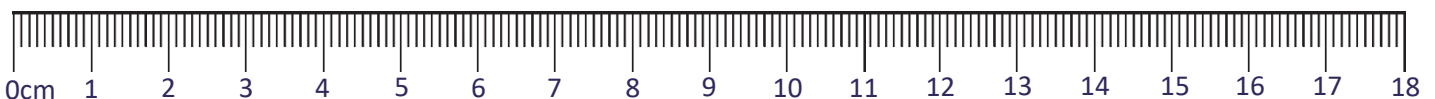
H12: Hidden Dowel
Qty: x20



H13: Hidden Cam
Qty: x20



H14: Caster
Qty: x4



Tools required

Please check you have all these below:



Flathead
screwdriver



Scissors



Spanner



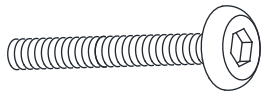
Tape measure



Cross head
screwdriver

Bed assembly

1

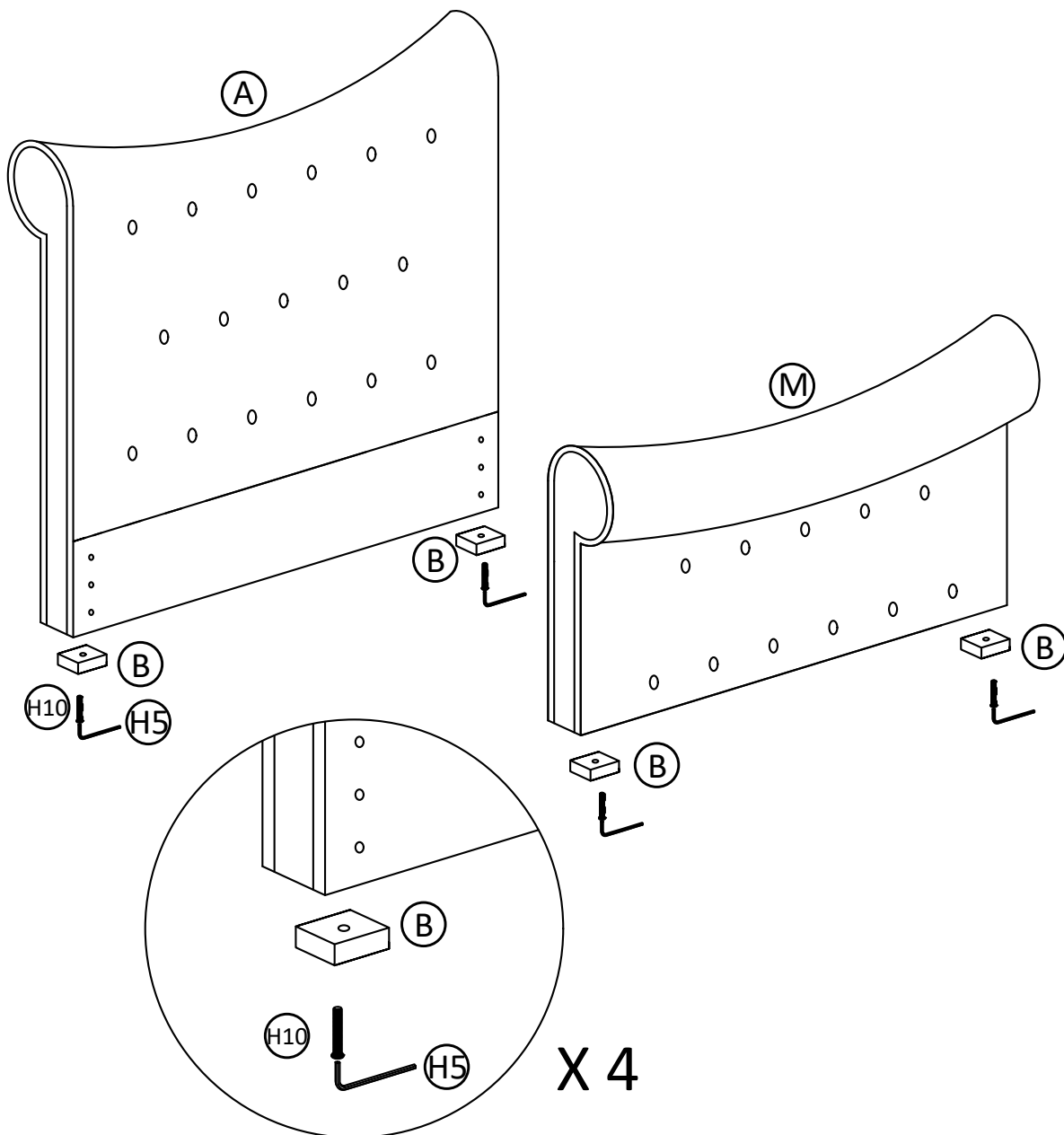


H10:M8 x 50mm
Qty: x4



H5: M8 Allen key
Qty: x1

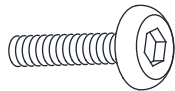
Fix the Wooden Feet (B) to the Headboard(A) and Footboard(M) by using Bolt (H10) with Allen key M8(H5).



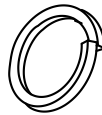
Bed assembly



H5: M8 Allen key
Qty: x1



H1: M8 x 30mm
Qty: x12



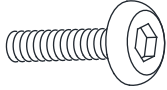
H7: Spring Washer
Qty: x12



H4: M8 Flat Washer
Qty: x12



H6: M6 Allen Key
Qty: x1



H11: M6 x 35mm
Qty: x4



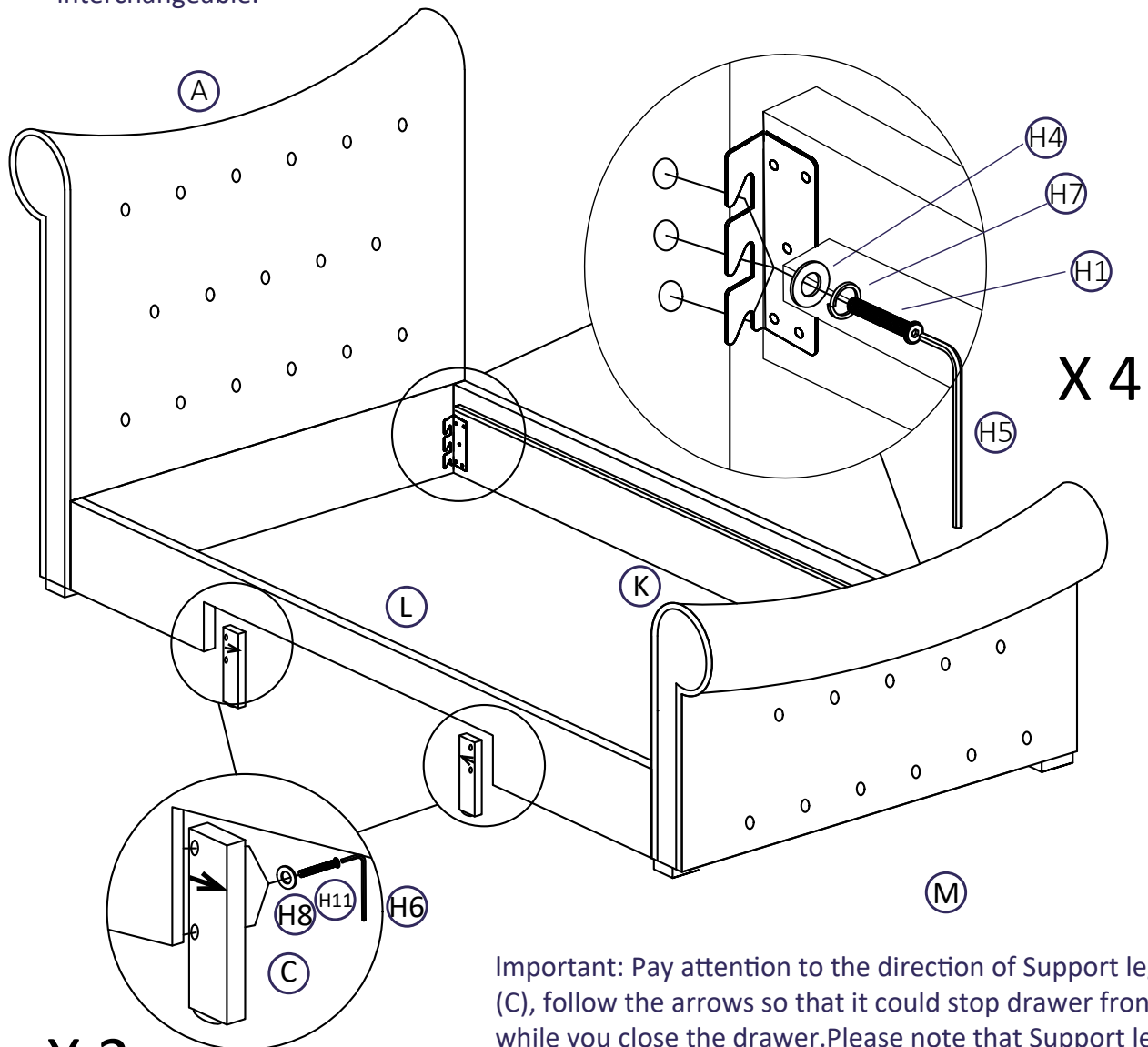
H8: M6 Flat Washer
Qty: x 4

2

Use Bolt (H1), Spring washer (H7) and Flat washer (H4) to fix the Side Rail (K and L) onto Headboard (A) and Footboard (M) by using Allen Key (H5).

Use Bolt (H11) and Flat Washer (H8) to fix the Support Leg (C) onto Side Rail (L) by using Allen Key (H6).

Please note that position of Side Rail (K) and Side Rail (L) are interchangeable.



Important: Pay attention to the direction of Support legs (C), follow the arrows so that it could stop drawer front while you close the drawer. Please note that Support legs (C) are adjustable, please adjust the height after assembly so that it's 5mm above the floor

Bed assembly



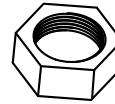
H6: M6 Allen Key
Qty: x1



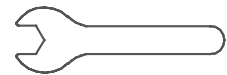
H2: M6 x 50mm
Qty: x6



H8: M6 Flat Washer
Qty: x 6



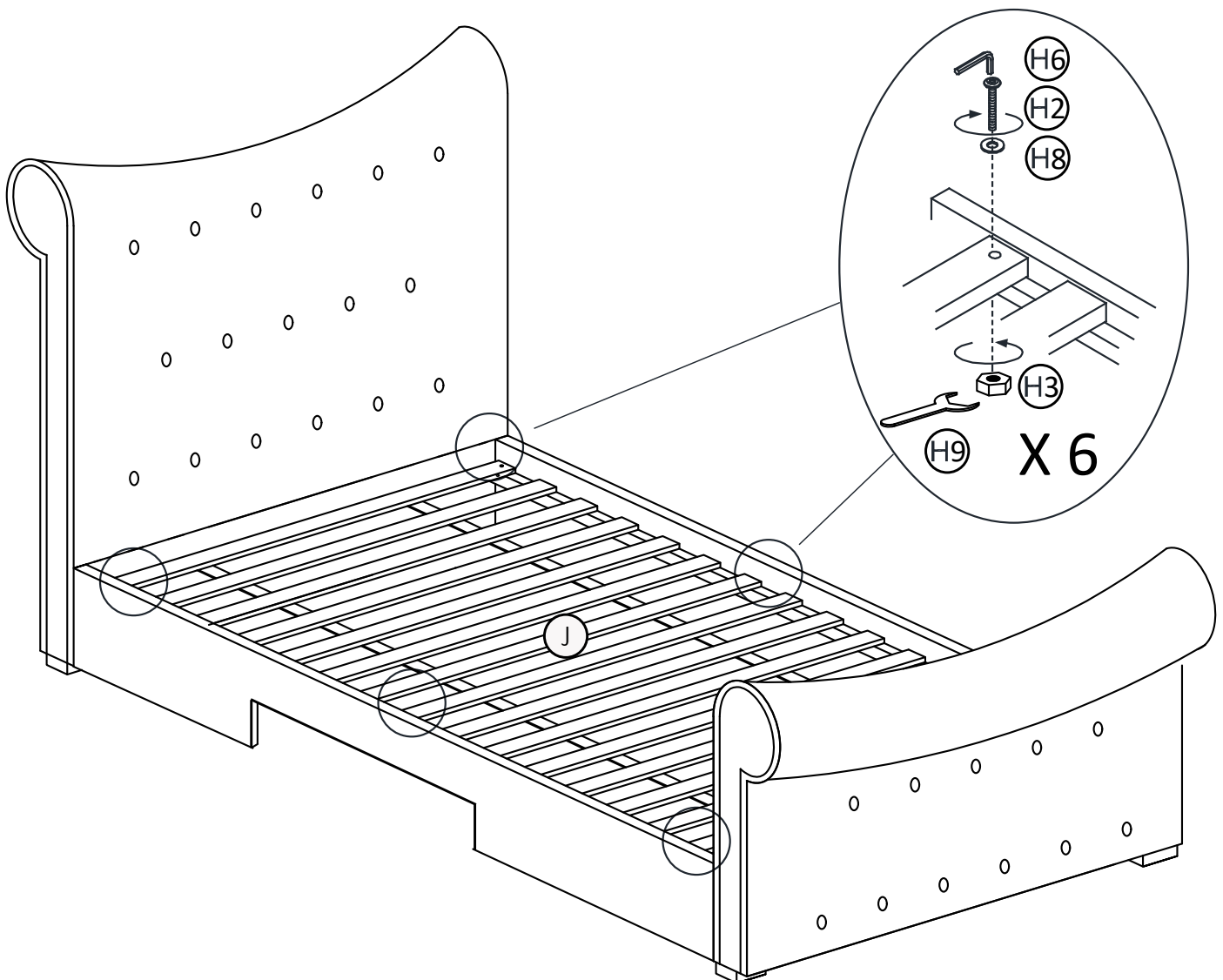
H3: M6 Nut
Qty: x6



H9: M6 Spanner
Qty: x1

3

Carefully locate the slats(J) onto the unit. Use Bolt (H2), Flat Washer (H8) and M6 Nut (H3) to fix the unit using Allen Key (H6) and Spanner Key (H9).

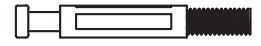


SPECIAL TIPS FOR FITTING HIDDEN DOWEL AND HIDDEN CAM

HIDDEN CAM



HIDDEN DOWEL



Important: No power drill for the drawer cross nuts tightening.

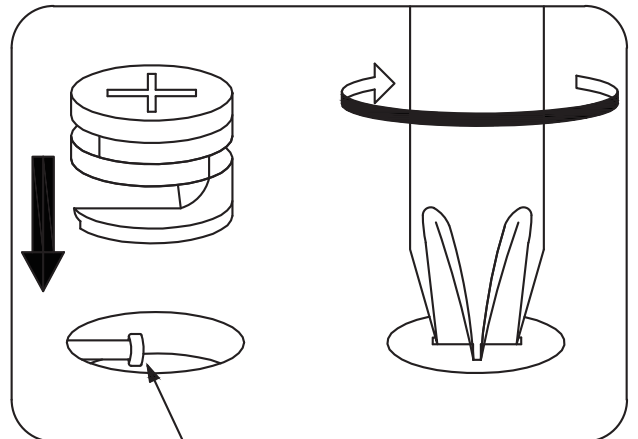
Align with long point of cross.

WHEN FITTING CAMS

ENSURE STARTING POSITION IS CORRECT BEFORE YOU INSERT CONNECTING HIDDEN DOWEL TURN CLOCKWISE UNTILE SECURE.

CORRECT

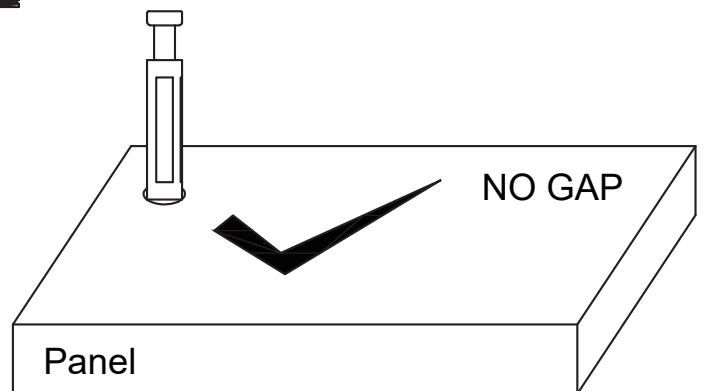
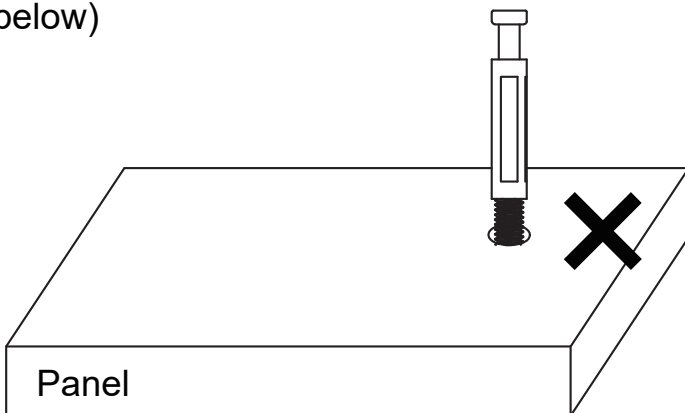
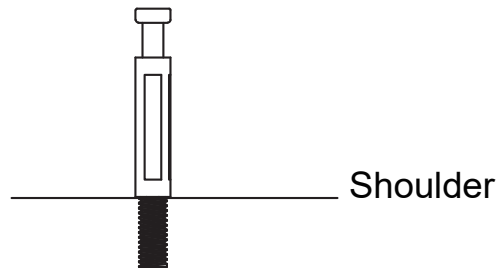
WRONG



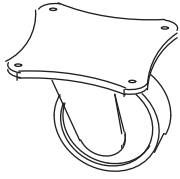
Dowel head needs to be in centre.

HIDDEN DOWEL

Tighten until shoulder is flush with panel. Do not overtighten or undrtighten(see example below)

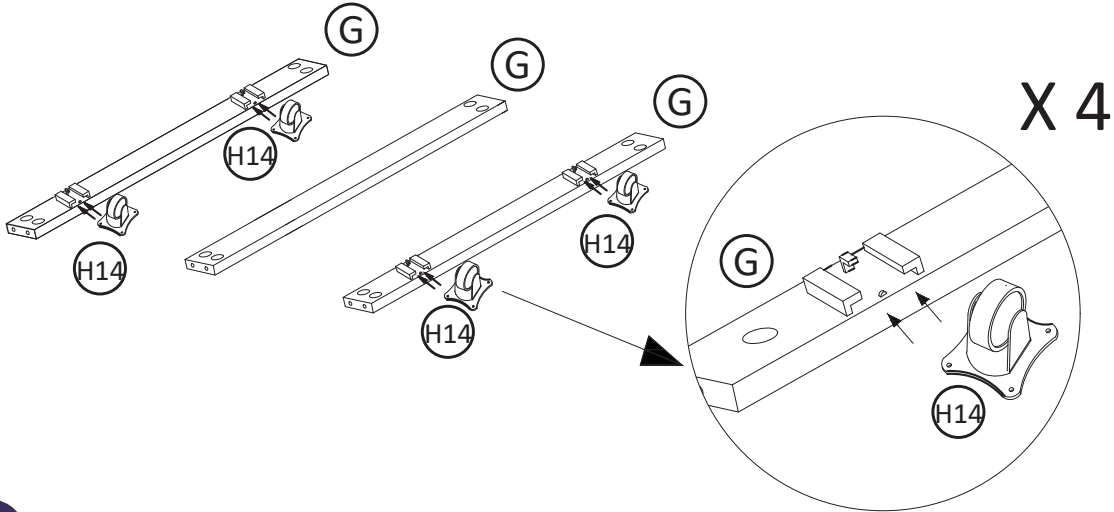


Bed assembly



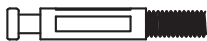
H14: Caster
Qty: x4

4 Fix the Casters (H14) to Support Rail (G).



5 **KIND REMINDER:**
Please refer to special tips (Page 8) when fixing hidden dowel and hidden cam.
Fix the Support Rail (G) to panel (F and I) by using hidden dowel (H12) and hidden cam (H13).

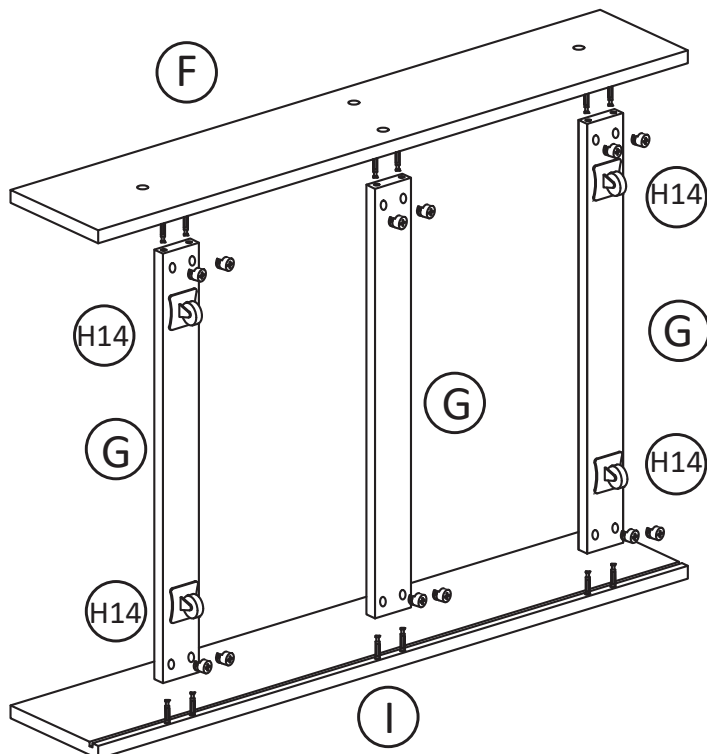
Important: No power drill for the drawer cross nuts tightening.



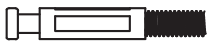
H12: Hidden Dowel
Qty: x12



H13: Hidden Cam
Qty: x12



Bed assembly

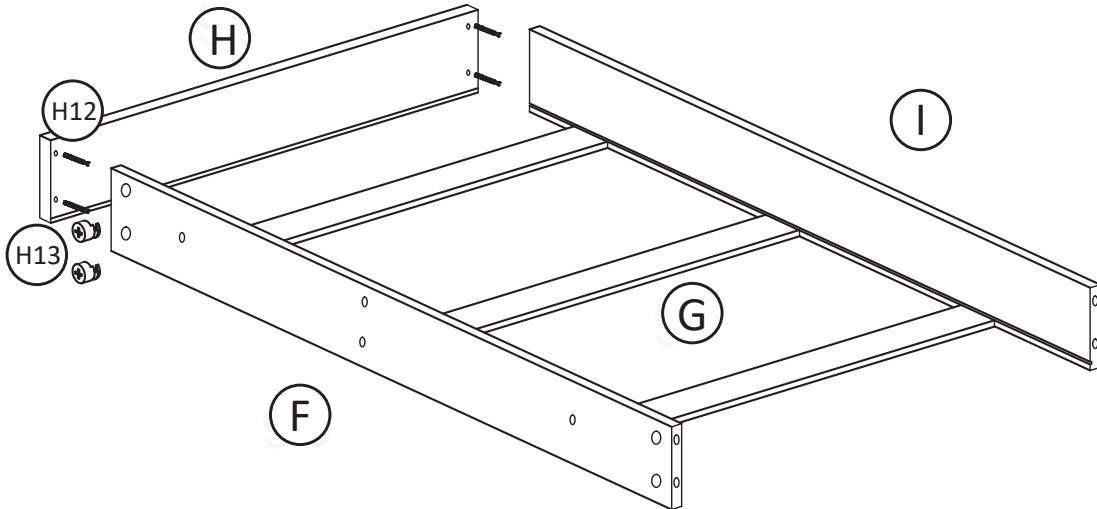


H12: Hidden Dowel
Qty: x4

H13: Hidden Cam
Qty: x4

6

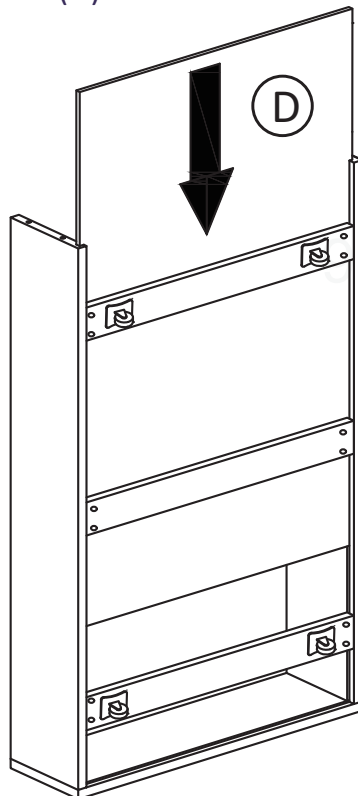
Fix side panel (H) to panel (F and I) by using hidden dowel (H12) and hidden cam(H13).



Important: No power drill for the drawer cross nuts tightening.

7

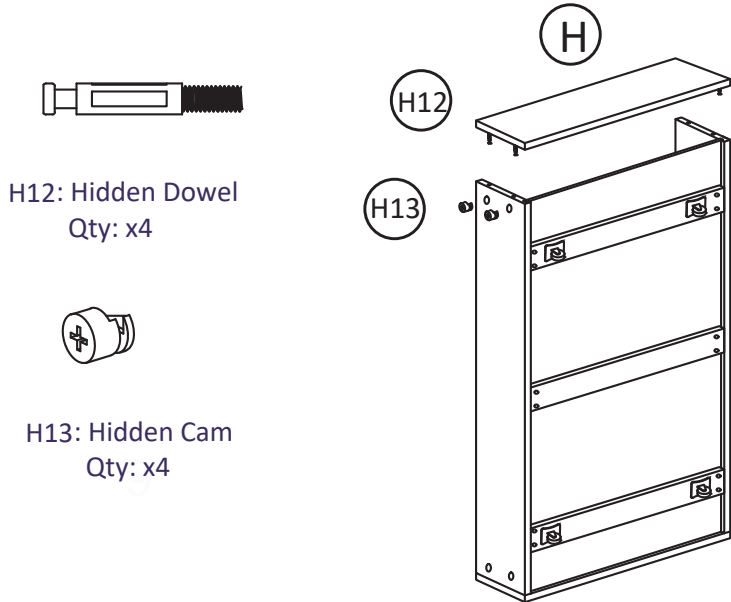
Insert the bottom board (D).



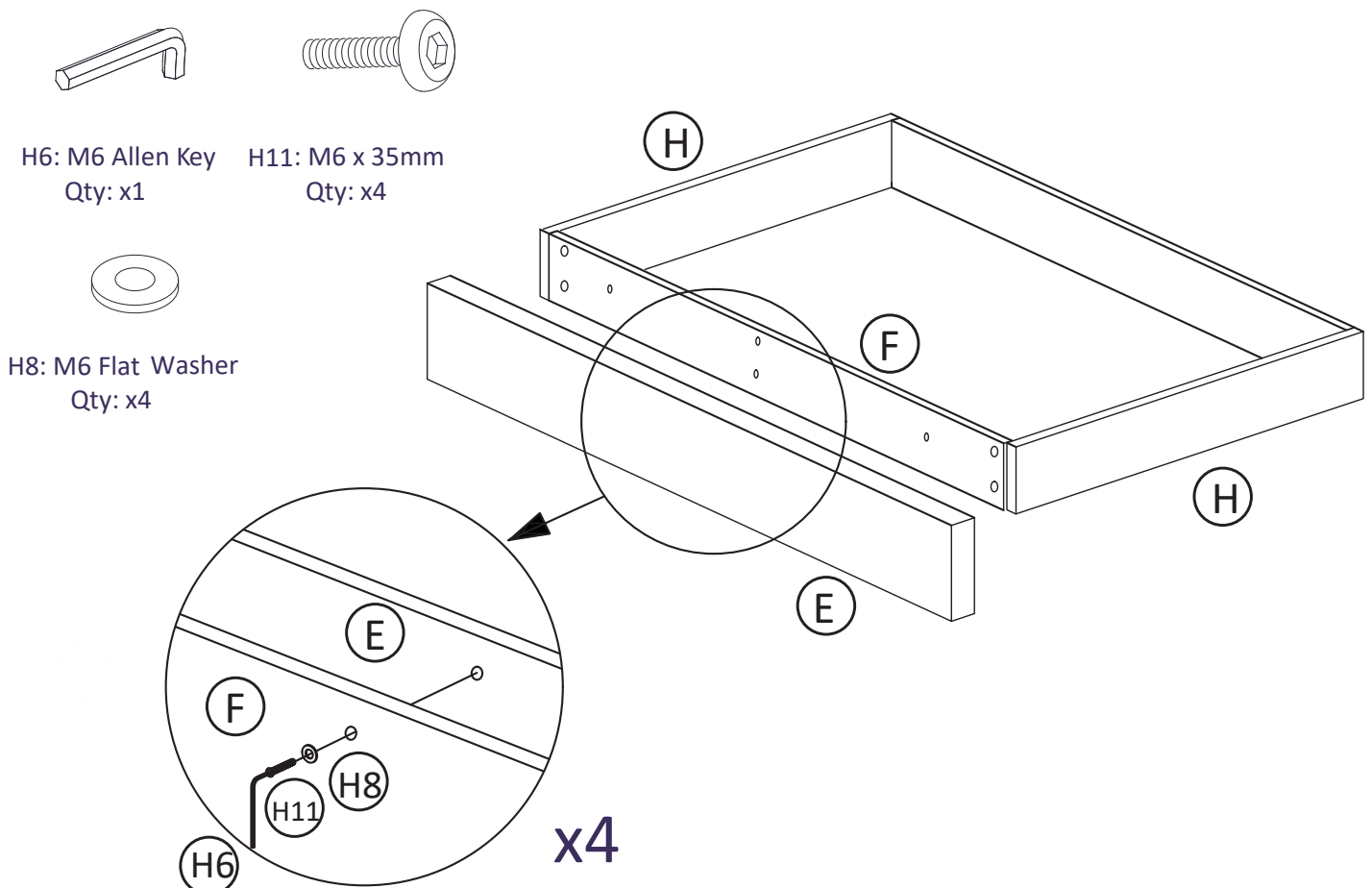
Bed assembly

- 8** Fix the other piece of side panel (H) by using hidden dowel (H12) and hidden cam (H13).

Important: No power drill for the drawer cross nuts tightening.



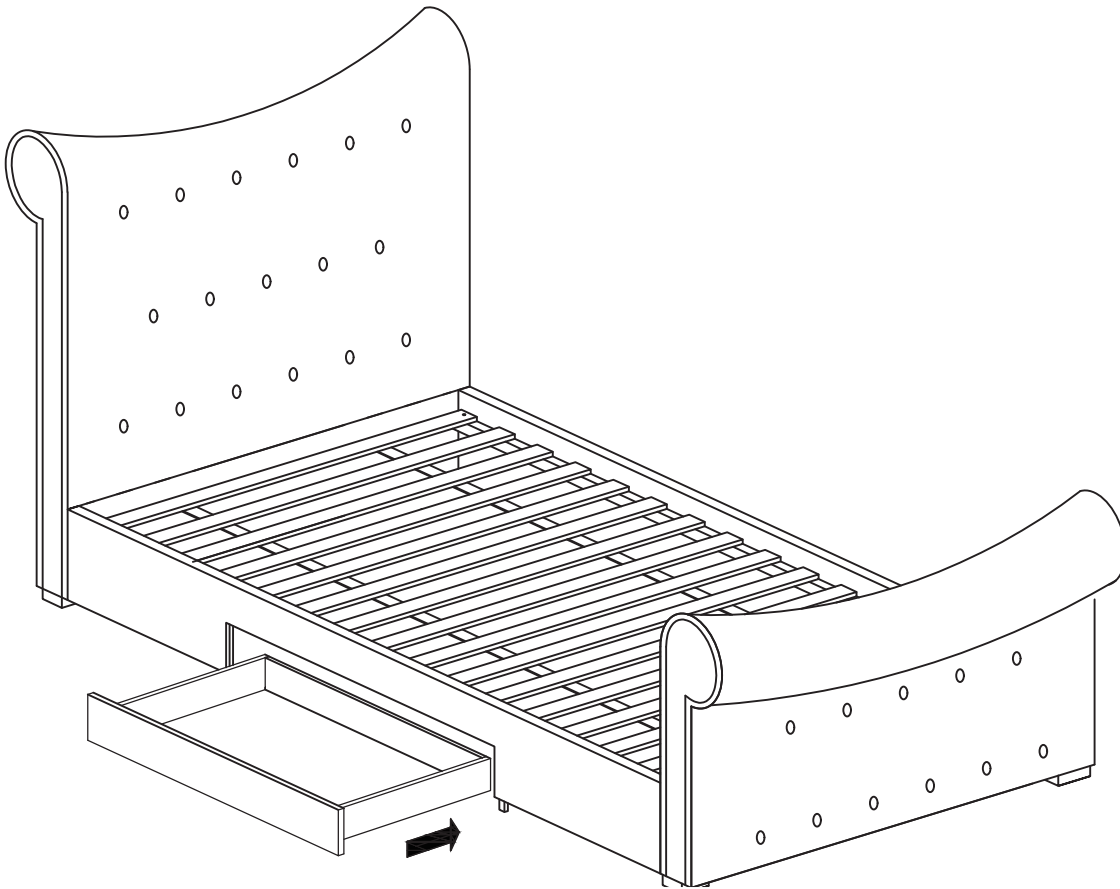
- 9** Fix the drawer front (E) to the front panel (F) by using bolt (H11) and flat washer (H8) with allen key (H6).



Bed assembly

10

Important: If drawer front is not aligned with side rail, please unscrew the bolts inside to adjust height of of drawer front until it's aligned with side rails, and then tighten all bolts.



Care and maintenance

Here are some tips to keep your new bed in tip-top condition



Cleaning

To clean your new bed, we'd advise using a warm damp cloth - please do not use abrasive chemicals or bleach as this may damage the product.



Checking and moving

Periodically we recommend you check that the screws or fixtures haven't been become loose, over time. To move your new bed, we recommend lifting it where possible, as dragging or pushing it could cause damage to your flooring.



Wood

Please note each of our wooden pieces are unique, meaning that markings and shade can vary slightly between beds. Over a period of time, the wood might lighten or fade slightly due to light exposure.



Fabric

Please note depending on the lighting, positioning and surroundings of your room, the shade of the colour can sometimes appear slightly different. Over a period of time, the colour might lighten or fade slightly due to light exposure.



Metal

Metal tends to be more resilient to everyday wear and tear. We recommend to gently dust your metal furniture and keep it dry to maintain its look.

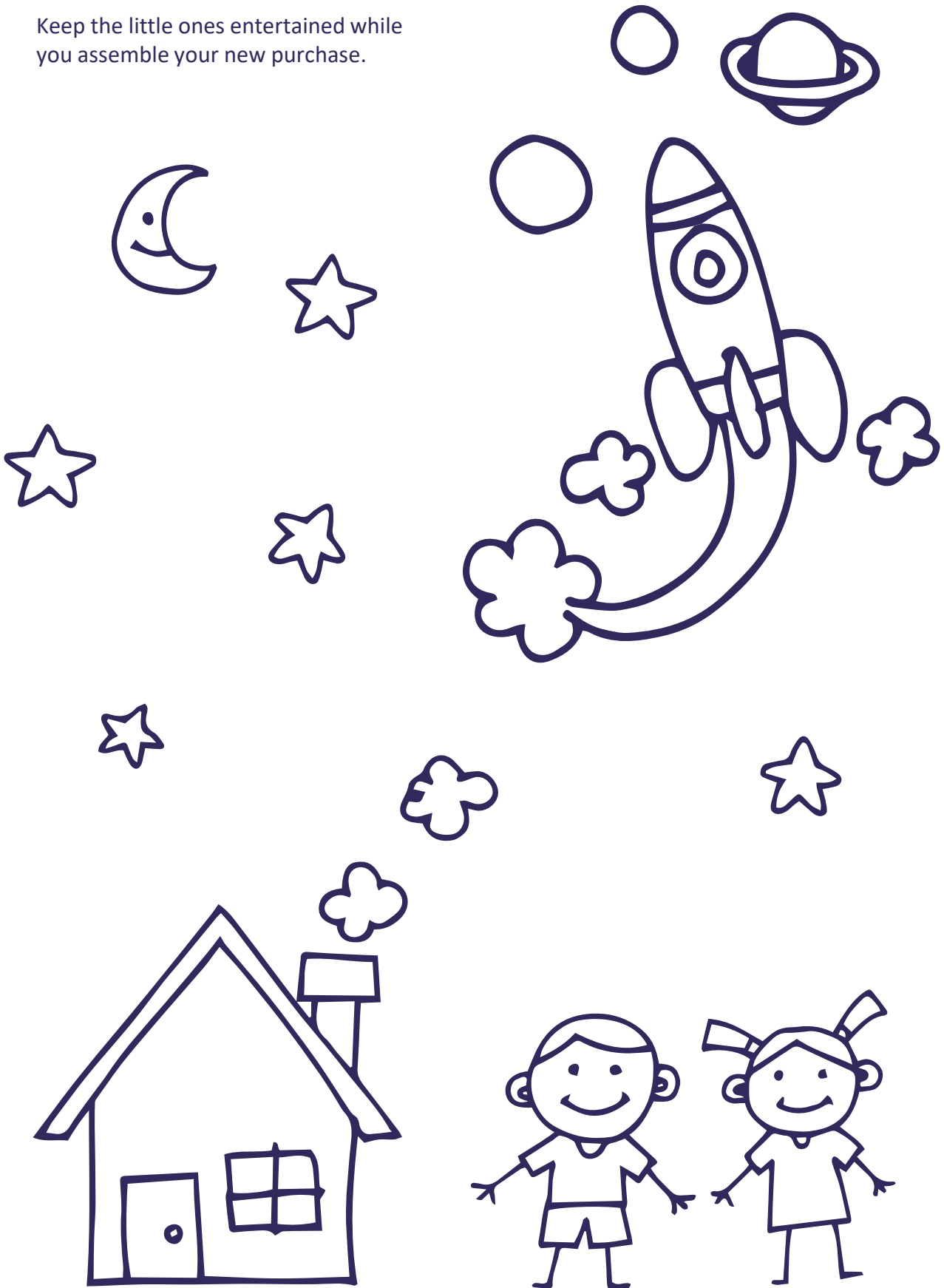
Thank you for shopping with us - we hope you have a great night's sleep

Sleep well



Little dreamers

Keep the little ones entertained while you assemble your new purchase.



Dreams