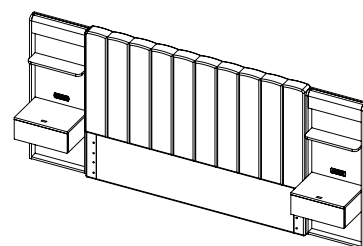
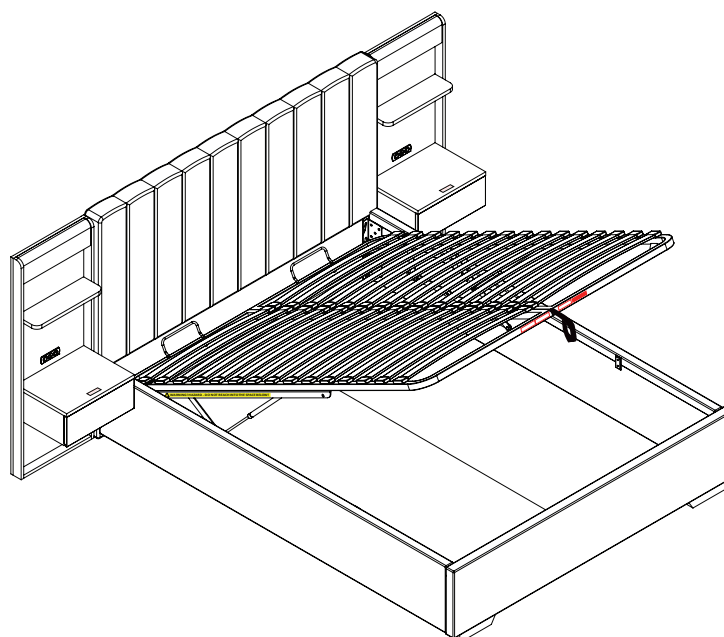


# OWEN OTTOMAN BED

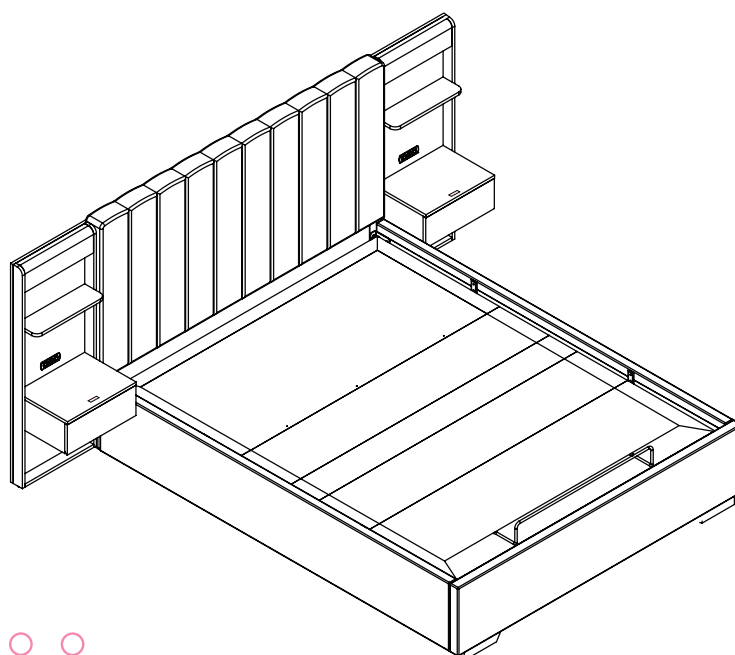
## SECTION A: FITTING THE XL WINGS TO THE HEADBOARD



## SECTION B: ASSEMBLING THE OTTOMAN STORAGE BED



## SECTION C: ASSEMBLING THE SLEEPMOTION 200i ELECTRIC BED



1.5 hour approx  
assembly time



Two person  
assembly

MK1 221013

**Dreams**

# Thank you

Hello, thanks for choosing to purchase your bed from Dreams - you're now on your way to your best ever night's sleep. Before you begin building your bed, please take a moment to read through the instructions and make sure that you've got all the relevant parts listed on the following pages.



## Assembly tips

Before you begin, it's best to identify all parts and fittings to build your bed. We advise laying these out on the floor to check you have everything, and familiarising yourself before building.



## Top tip

We recommend that you build your new bed in the room you'd like it to be located - this will help prevent any risk of damage to your newly built bed whilst moving it.



## Safety and care

It's really important to ensure children and animals are kept away from the assembly area, as there are small components used in this bed which could present a choking hazard. All plastic and wrapping materials should also be kept away from children and animals to prevent any risk of suffocation. To keep your little ones busy, there is a colouring page inside the back cover.



## Help and support

At Dreams, it's our mission to give the whole nation a great night's sleep - this means that the quality of our products is of utmost importance to us. If there are any issues with your product or any missing parts, please contact our Help Centre on 0800 652 6750, where a member of our team will be happy to help. (For customers based in Northern Ireland, please call 028 9050 8300)



## Recycling

Please ensure that packaging is disposed of in a safe and environmentally friendly way, and recycle where possible. Our assembly instructions are printed on recycled paper. Please keep your assembly instructions safe to refer back to in the future.

**At the time of purchase the XL Wings were chosen and also the type of bed base was chosen, be it an Ottoman Lift up style or a Sleepmotion Lifestyle 200i electric bed base.**

**AFTER ASSEMBLING AND ATTACHING THE WINGS TO THE HEADBOARD AS PER SECTION - 'A' FOLLOW-ON BY USING EITHER SECTION 'B' -OR- SECTION 'C' TO FINISH OFF ASSEMBLING YOUR BED.**

# Parts

## Important information

The bed you have purchased comes with either an Ottoman lift up base or a Sleepmotion Lifestyle 200i electric base, for either of these two bed types - please ignore the assembly instructions supplied in Pack 3 or 3L.

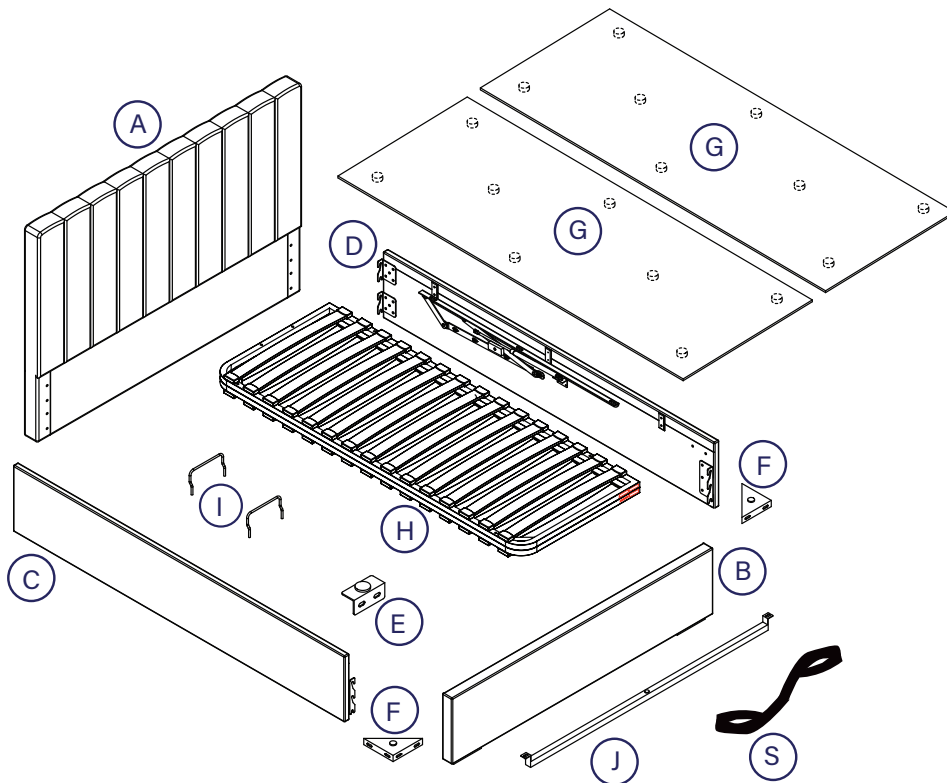
Section (A) shows how to assemble the wings, fit the leads and connect the power supply.

Section (B) shows how to assemble the Ottoman to the winged headboard.

Section (C) shows the best way to assemble the bed around the winged headboard and electric base.

Before you begin building your new bed please take a moment to read through the instructions and make sure that you've got all the relevant parts listed on the following pages.

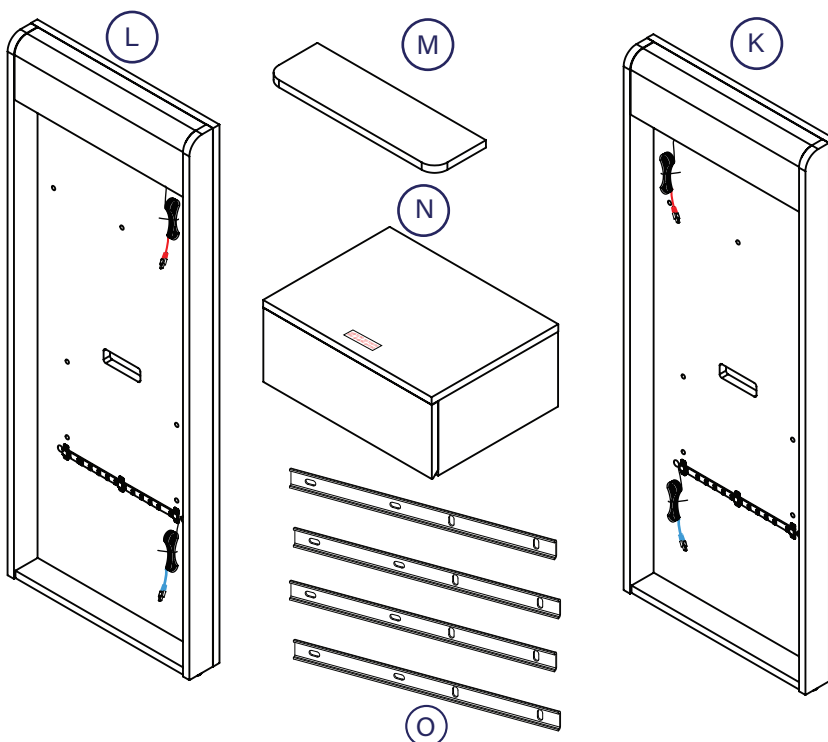
### These are the parts for the standard Ottoman Storage Bed inside Packs 1, 2, 3 & 4



## Parts list

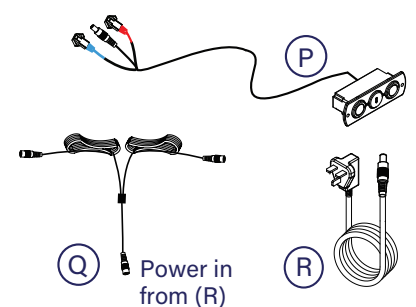
A.	Headboard	1
B.	Footboard	1
C.	Side rail - Left	1
D.	Side rail - Right	1
E.	Frame support bracket	1
F.	Angled corner bracket	2
G.	Storage base board	2
H.	Metal ottoman slat frame	1
I.	Mattress stopper	2
J.	Cross bar	1
S.	Fabric hand strap	1

### These are the parts for the pair of XL Wings that are packed in Pack 5



## Parts list

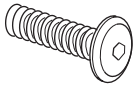



K.	Back panel - Right	1
L.	Back panel - Left	1
M.	Upper decor shelf	2
N.	Drawer unit	2
O.	Metal joint bracket	4
P.	USB/Switch module	2
Q.	Internal 'Y' 12V lead	1
R.	Mains power adapter	1



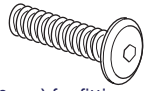





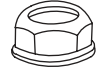
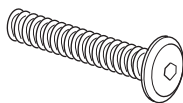

# Fittings

Please check you have all the parts listed below with your product:



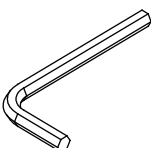
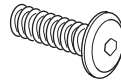
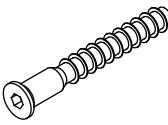
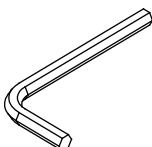
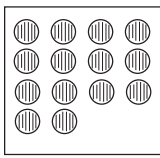
## Hardware needed for fixing side rails to headboard & footboard Packed in side rail pack 2 - hardware pack (A).

<p>a x14</p>  <p>Bolts (M8x30mm) for fitting side rails (C&amp;D) to headboard &amp; footboard (A&amp;B)</p>	<p>b x14</p>  <p>Spring washer for M8 bolts</p>	<p>c x14</p>  <p>Flat washer for M8 bolts</p>	<p>d x1</p>  <p>Allen Key for M8 bolts</p>
---	--	--	---

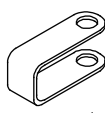
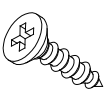


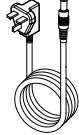
## Hardware needed for fitting the metal ottoman slat frame Packed in ottoman pack 3 - hardware pack (B).

<p>a x10</p>  <p>Bolts (M8x30mm) for fitting angle brackets (F) to side rails (C&amp;D) &amp; footboard (B) and fitting frame support bracket (E) to footboard (B)</p>	<p>b x20</p>  <p>Spring washer for M8 bolts</p>	<p>c x28</p>  <p>Flat washer for M8 bolts</p>	<p>e x6</p>  <p>Nut for M8 bolts</p>	<p>f x6</p>  <p>Bolts (M8x20mm) for fitting metal connection plates (g) and cross bar (J) to metal slat frame (H)</p>
<p>g x2</p>  <p>Metal Connection Plates</p>	<p>h x2</p>  <p>Flange lock-nuts (M8) for gas-lift pistons</p>	<p>i x6</p>  <p>Bolts (M8x45mm) for fitting metal slat frame (H) to gas-lift mechanisms</p>	<p>j x1</p>  <p>Spanner for M8 nuts</p>	

## Hardware needed for assembling and fitting the pair of XL Wings to the main headboard Packed inside Pack 5.

<p>b x16</p>  <p>Spring washer for M8 bolts</p>	<p>c x16</p>  <p>Flat washer for M8 bolts</p>	<p>d x1</p>  <p>Allen key for M8 bolt</p>	<p>k x16</p>  <p>Bolt (M8x20mm)</p>	<p>l x14</p>  <p>Carcass screw</p>
<p>m x1</p>  <p>Allen key for carcass screw</p>	<p>n x14</p>  <p>Decor pads</p>			

## Hardware needed for fitting the USB/LED module (P) and connecting the mains power. Packed inside the accessory box in PACK 5 is the hardware for the two XL Wings.

<p>o x6</p>  <p>Clip</p>	<p>p x10</p>  <p>Clip Screw</p>	<p>P x2</p>  <p>Module</p>	<p>Q x1</p>  <p>Y Cable</p>	<p>R x1</p>  <p>Power Adapter</p>
--	--	---	---	--



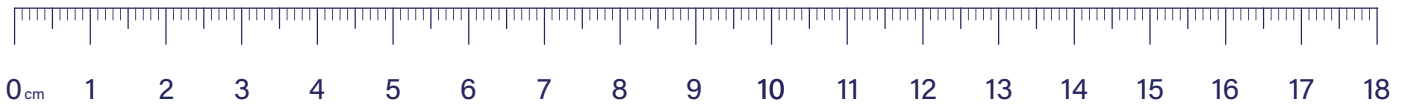
# Tools required



Tape measure



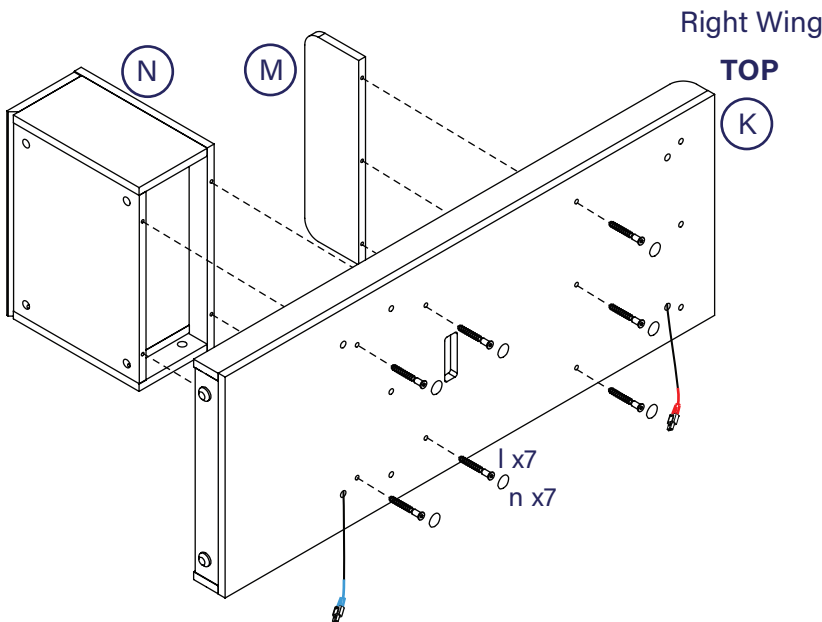
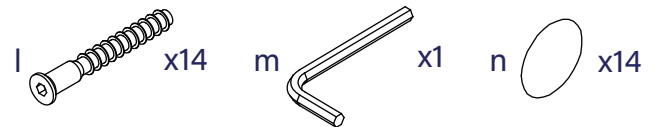
Cross head screwdriver



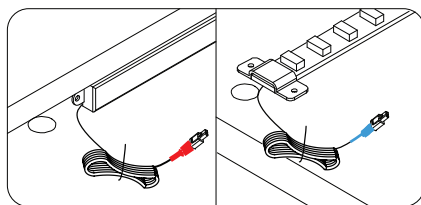
## SECTION A - BUILDING THE WINGS AND FITTING THE XL WINGS TO THE HEADBOARD

AT THE TIME OF PURCHASE, THE XL BEDSIDE WINGS WERE CHOSEN.  
TO BUILD THE WINGS PLEASE CAREFULLY FOLLOW THESE INSTRUCTIONS IN THE FOLLOWING ORDER.

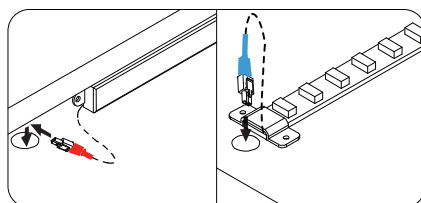
### 1 Assemble the two wings.



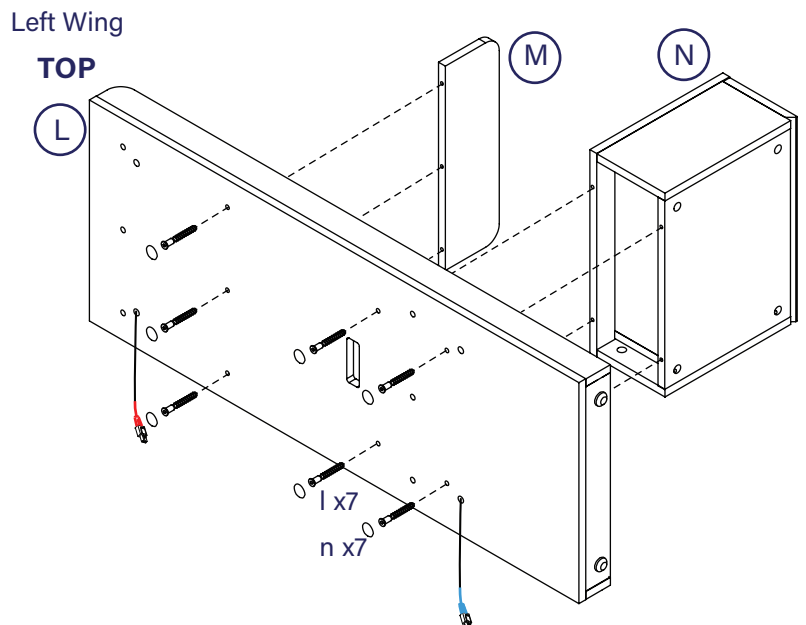
- i)** One at a time, put each wing back panel (K or L) on it's side with the cables at the bottom.
- ii)** Make sure the drawer unit is correct way up then fit it to the back panel using carcass screws (l) Fit the decor shelf to the back panel. - use Allen key (m) to tighten all 7 screws but please do not over-tighten.
- iii)** Cover the heads of the screws (l) with the decor pads (n).
- iv)** Untie the LED leads and pass the plugs through the adjacent holes as shown then stand the wings back up.



Un-tie the two cables.

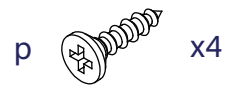


Pass plugs through the adjacent holes.



## 2 Fit the USB/switch modules (P).

Take care that the coloured dot labels are in the positions shown.

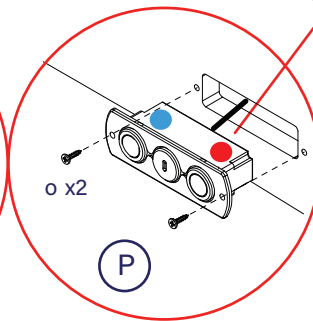
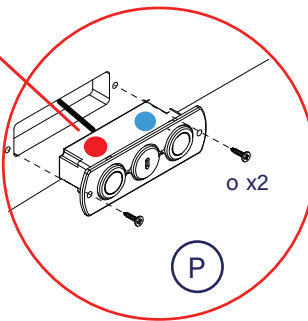
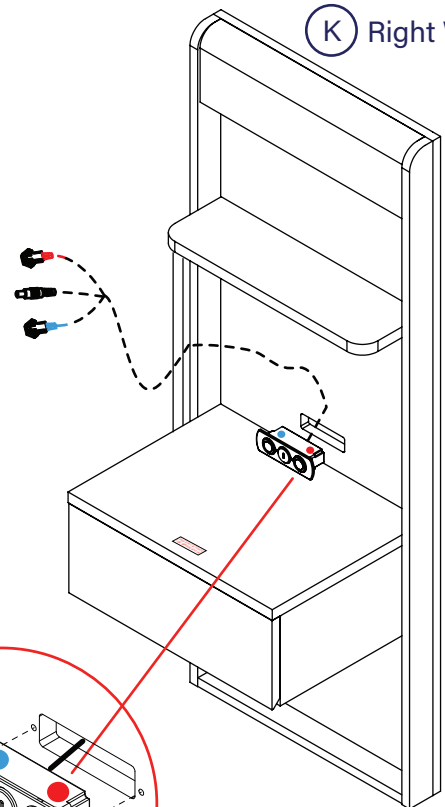
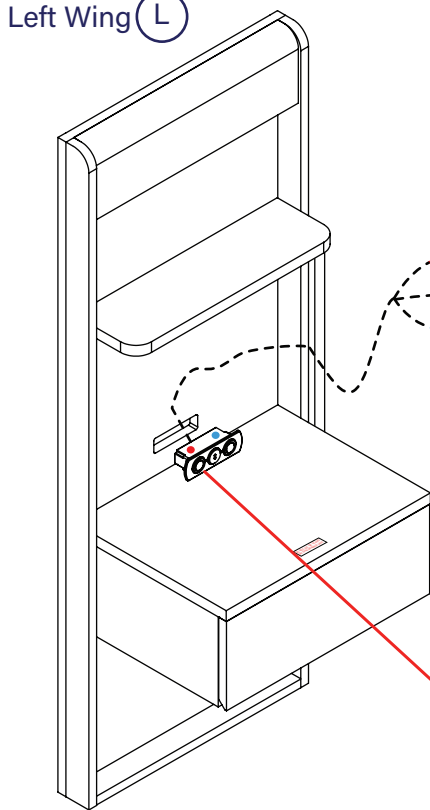


View from front of the headboard

Left Wing (L)

(K) Right Wing

- i) Pass the plugs on the module leads (P) through each cut-out hole. The modules are marked with coloured dot labels, make sure they are positioned as in the sketches.
- ii) Switch marked red operates the upper reading light and marked blue the lower night lights. If this is not to your liking, turn the module over.
- iii) Level the module case and secure with screws (o).



## 3 Fit the brackets (O) - horizontal slotted holes are on the headboard.

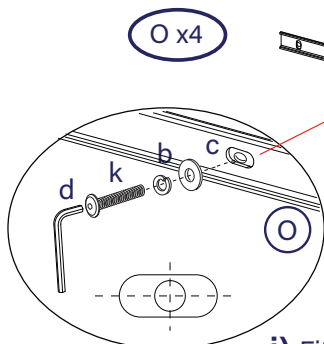


View from rear of the headboard

(K) RH wing will fit here

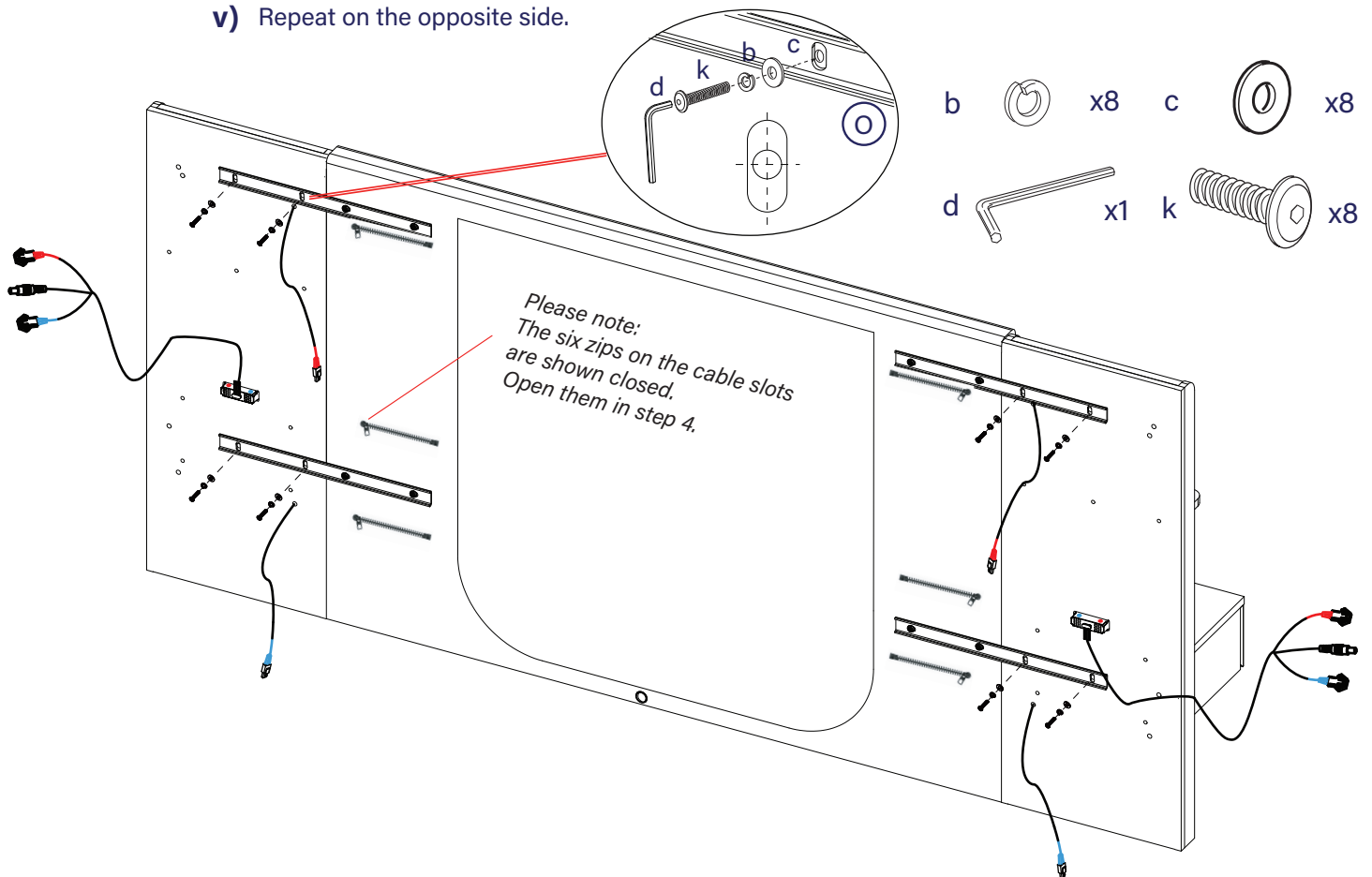
Please note:  
The six zips on the cable slots are shown closed.  
Open them in step 4.

(L) LH wing will fit here



- i) Fit x4 brackets (O) to each side of the headboard - tighten each of the four bolt sets (k, b & c) 90%. Do not tighten fully yet.

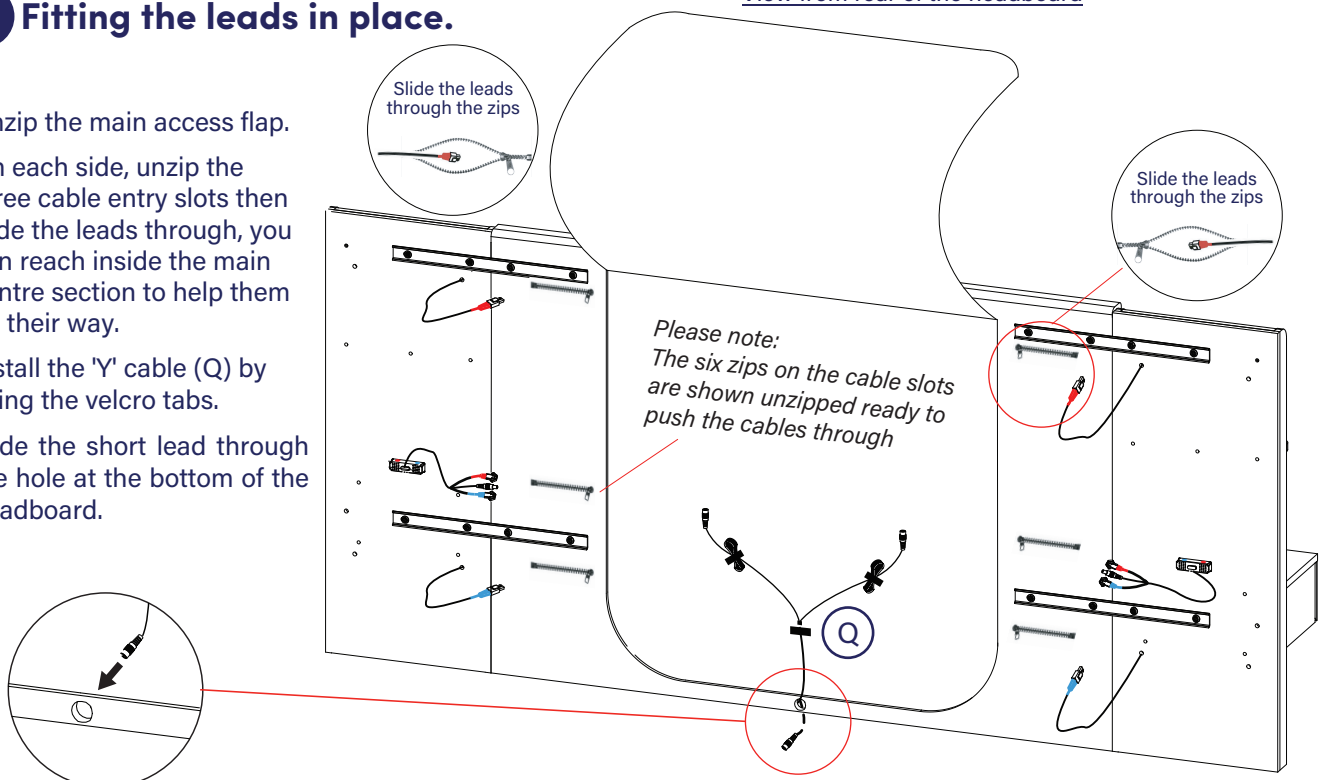
- ii) Your assistant should support the headboard making sure it cannot fall over whilst the next steps are carried out.
- iii) Fit each wing in turn connecting to the four brackets making sure there are no leads trapped behind them.
- iv) Before tightening the eight bolts on the rear of the first wing, make sure the feet on the bottom rail of the wing are touching the floor, then gently push the side of the wing evenly up against the side of the headboard so there is no gap. Make sure the edges are evenly aligned then, using Allen key (d), tighten the bolts 100%.
- v) Repeat on the opposite side.



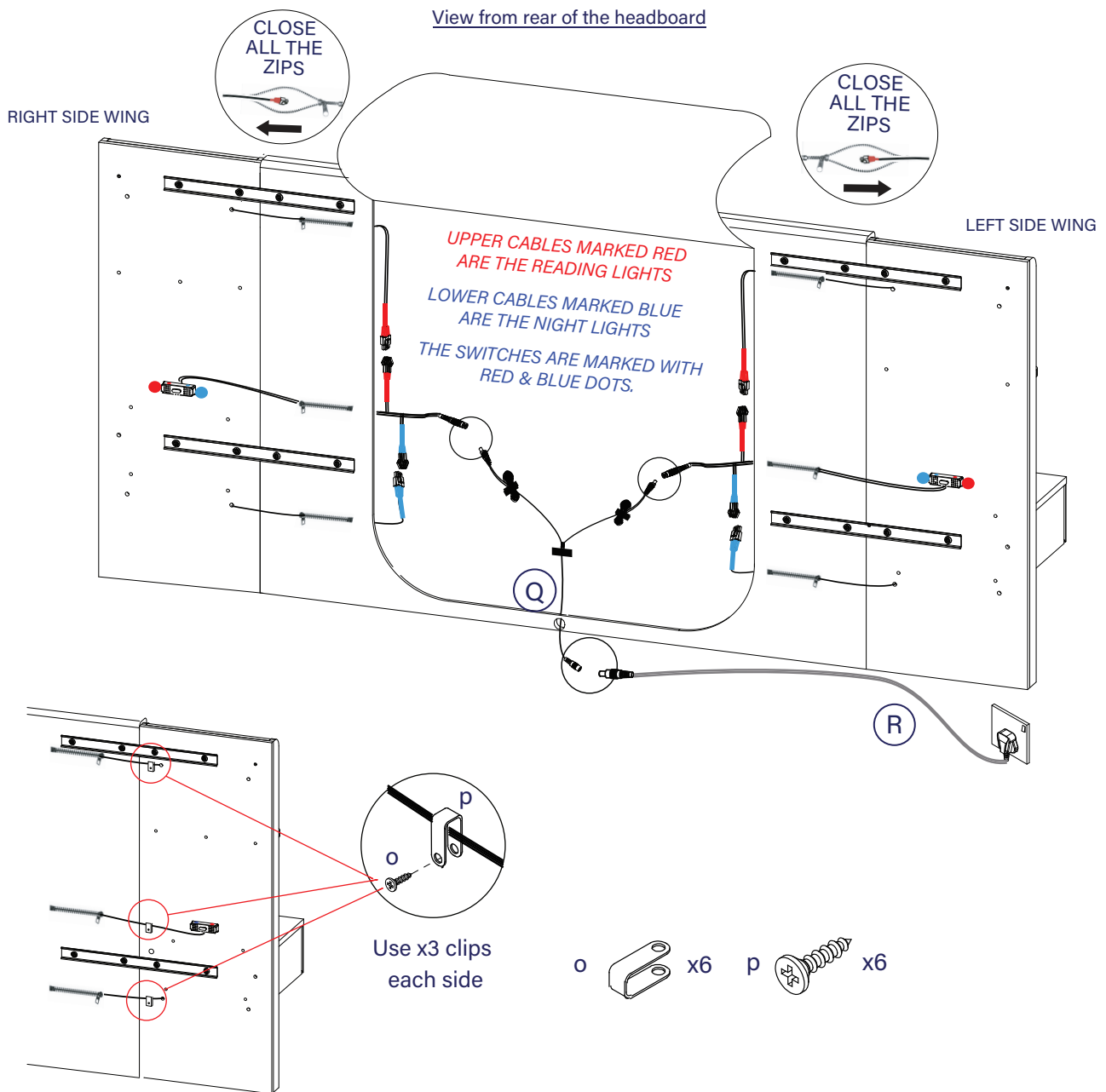
#### 4 Fitting the leads in place.

View from rear of the headboard

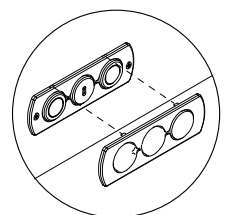
- i) Unzip the main access flap.
- ii) On each side, unzip the three cable entry slots then slide the leads through, you can reach inside the main centre section to help them on their way.
- iii) Install the 'Y' cable (Q) by using the velcro tabs.
- iv) Slide the short lead through the hole at the bottom of the headboard.



**5** Connect the three plugs on 'Y' cable (Q) to their respective sockets and connect the red & blue connectors together for the LEDs.



- i) Using three clips (o) on the rear of each back panel, fasten the three leads, tight & horizontal, so all is neat and no leads are hanging loose. Push any spare lead through the zipped slots into the rear of the main headboard. Close each zipper.
- ii) Before moving the headboard into its final location. check that the lights are working correctly and that the switches are operating the lights in the way you would like them to. The lights are set so both lower night-lights are on the inside, next to the bed - if you would like the reading lights closer to the bed, turn the one or both switch modules (P) over. Fit the fascias to the front of both of the switch modules, as per the sketch on the right.
- iii) Zip up the main access flap then, with help, move the headboard close to the wall into its final location, do not drag it or the wings may become loose or damaged.
- iv) Be careful that the power cable doesn't become trapped and that the plug remains within easy reach.

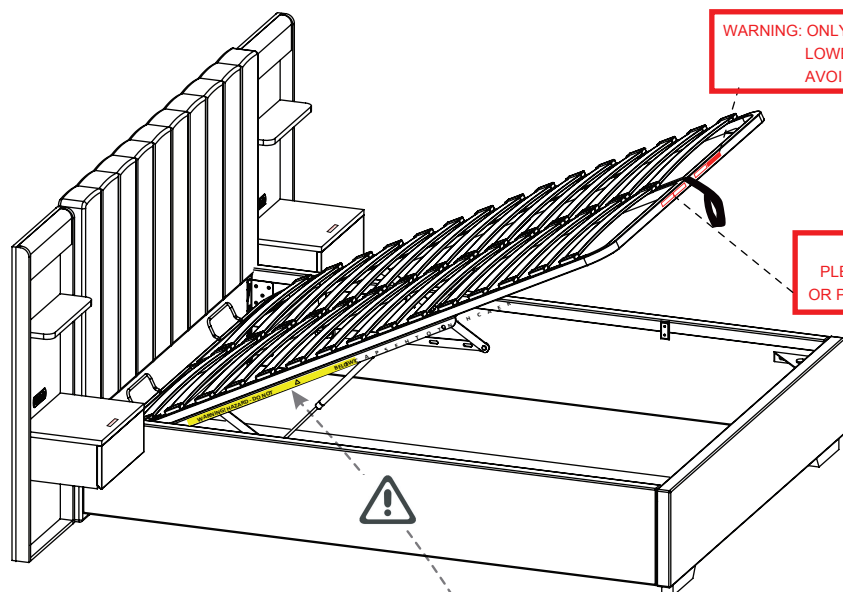


**AT THE TIME OF PURCHASE THE TYPE OF BED WOULD HAVE BEEN CHOSEN.**

**FOR THE OTTOMAN BED PLEASE CAREFULLY FOLLOW THE NEXT SET OF INSTRUCTIONS - 'B'  
FOR THE ELECTRIC BED INSTRUCTIONS, PLEASE GO TO THE LAST SECTION - 'C'**

## SECTION B - FITTING THE OTTOMAN BED TO THE HEADBOARD.

PLEASE CAREFULLY FOLLOW THE INSTRUCTIONS IN THE FOLLOWING ORDER



**WARNING: ONLY USE THE HANDLE TO LIFT & LOWER THE BED FRAME TO AVOID TRAPPING FINGERS!**

**TO AVOID ACCIDENTS TO ACCESS THE STORAGE AREA THE OTTOMAN FRAME MUST BE FULLY OPENED AND THEN FULLY CLOSED AFTERWARDS**

**SAFETY WARNING**  
PLEASE DO NOT ALLOW CHILDREN OR PETS INSIDE THE STORAGE AREA.

**SAFETY WARNING**  
PLEASE BE CAREFUL WHEN LIFTING. ONLY LIFT WITH MATTRESS ON TOP. TO BE OPERATED BY ADULTS ONLY.

**! WARNING! HAZARD - DO NOT REACH INTO THE SPACE BELOW!**

### Warning

- You must ensure that the mattress is on the bed frame before operating the lift mechanism – Failure to do so could result in injury.
- Keep hands clear of the mechanism when opening or closing the ottoman.
- Beware of entrapment – Never reach in through the mechanism to access the storage area.
- Always ensure that the ottoman is FULLY opened before accessing the storage area.
- Do not exceed the maximum weight as specified in the table below:

Bed	Bed Size	Min Weight (kg)	Max Weight (kg)
OWEN	Double	20	50
	King	20	50



Don't lift without mattress

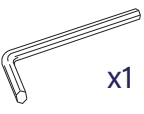


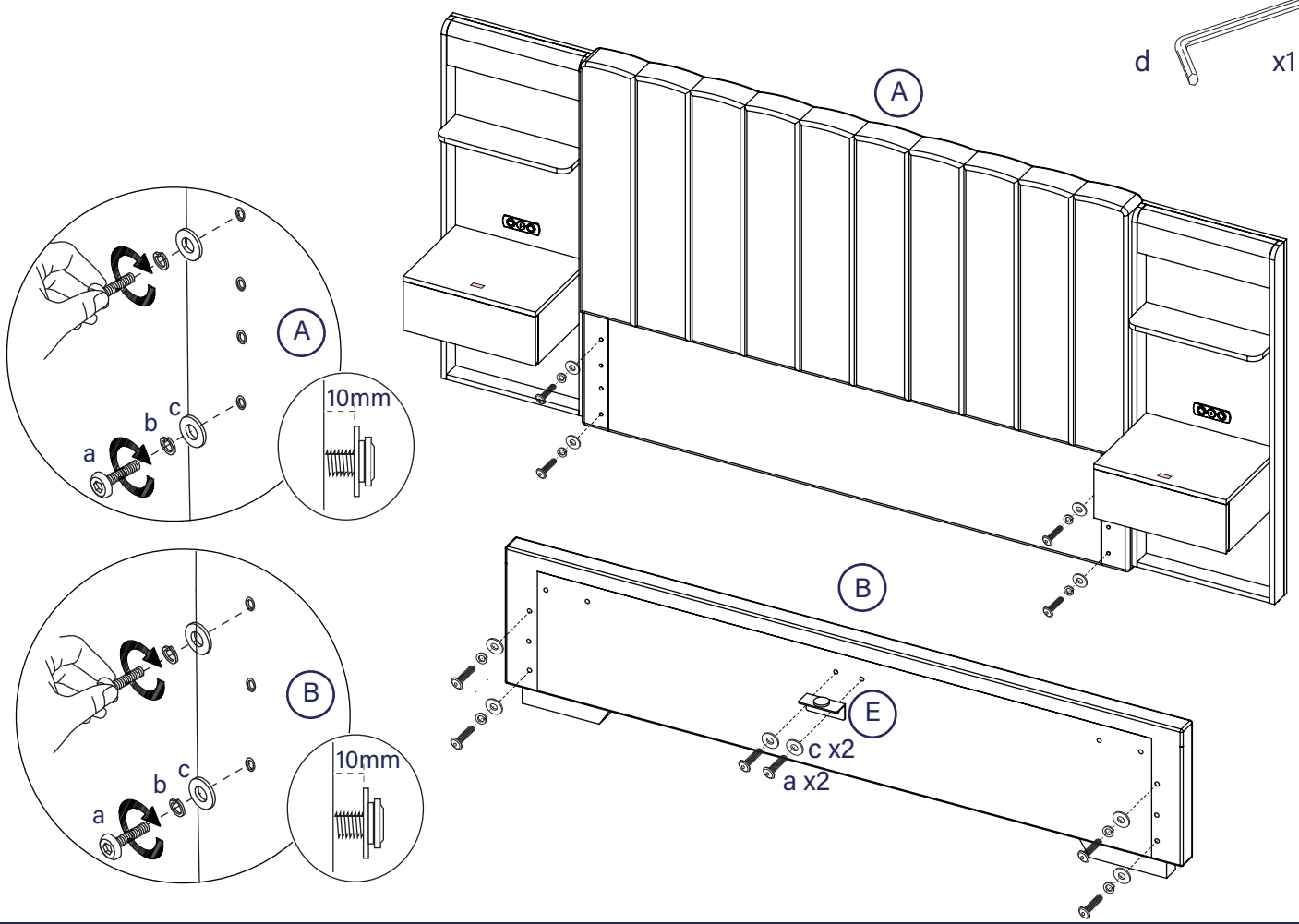
Ensure mattress is on before lifting

- Use caution when operating, always use the handle when lifting.
- Note: This bed uses a pressurised mechanism.
- To be operated by adults only
- Please ensure that children and pets are kept away from the bed when operating the lift mechanism. Keep children and pets away from the storage area.
- Do not overload the internal storage base.
- Do not stand inside the internal storage area of the bed.
- Before removing the mattress secure the frame to ensure it does not open unexpectedly.
- Do not attempt to lie on the mattress when the ottoman is in the raised position.
- When lifting the ottoman remove all bedding except the fitted sheet.

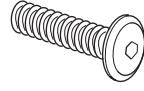
**6** With the headboard in it's final location, plug in the power adapter then prepare the headboard & footboard for assembly.

- a  x10
- b  x8
- c  x10

- d  x1

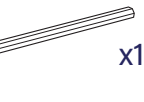


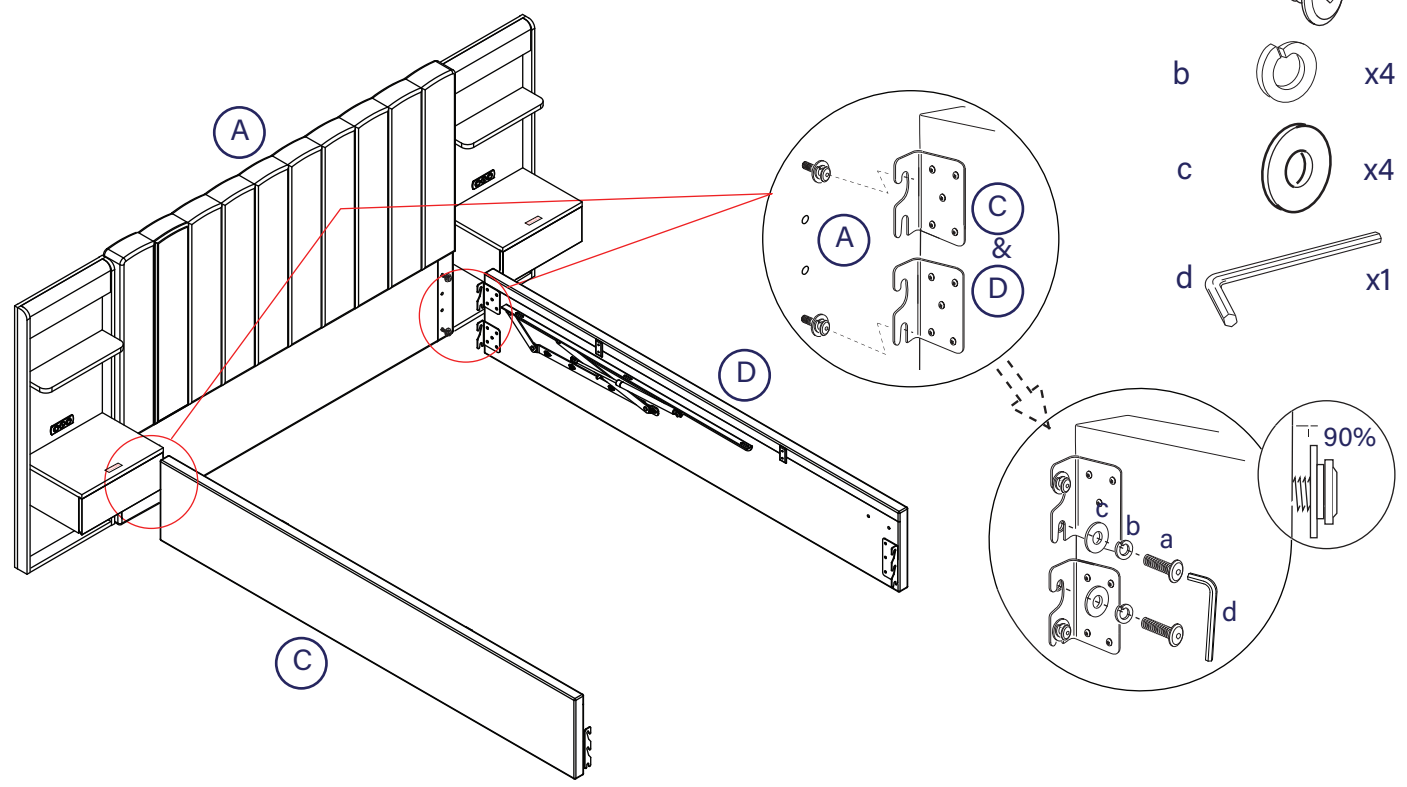
**7** Fit both side rails to the headboard, tighten all bolts 90%.

- a  x4

- b  x4

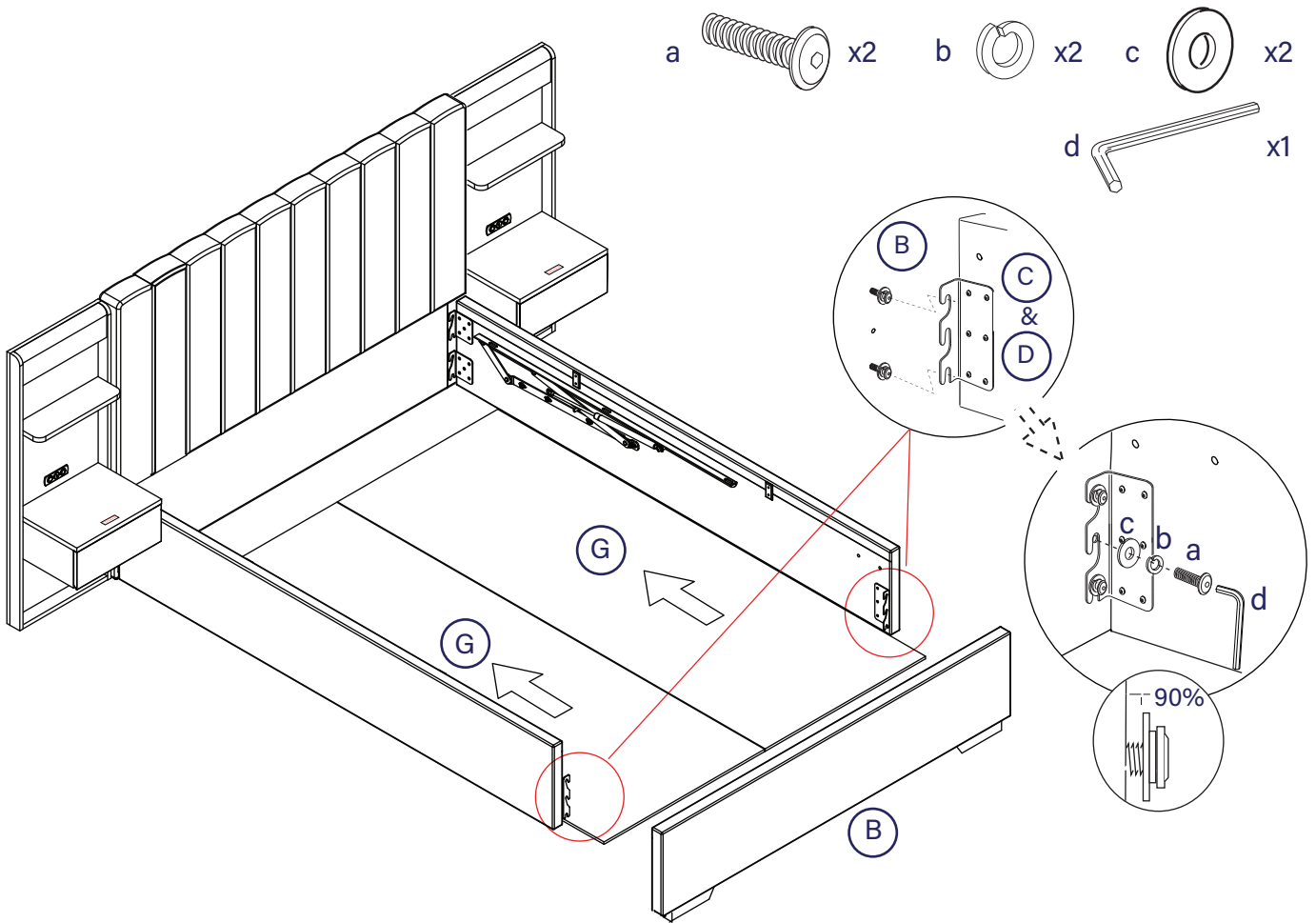
- c  x4

- d  x1

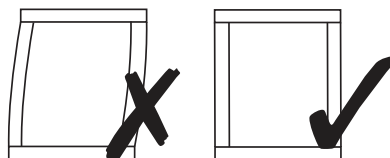
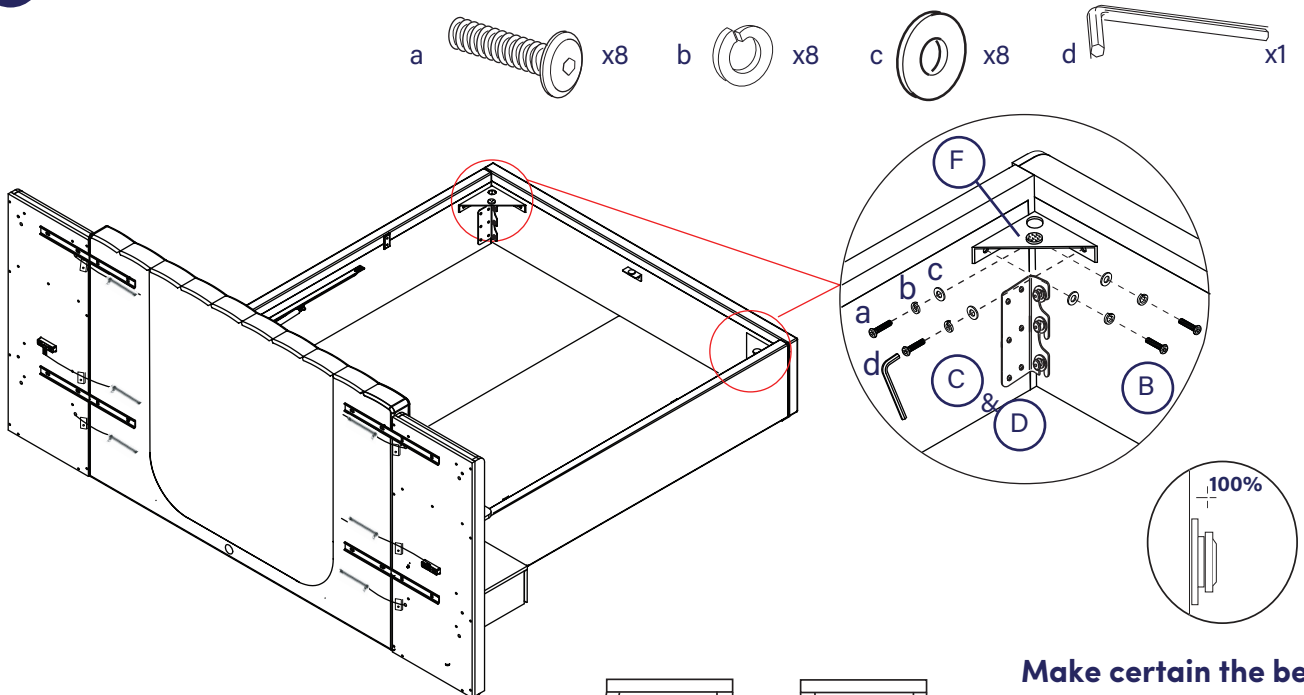




**8** Slide in the storage base boards, then fit the footboard to the side rails, tighten the bolts 90%.



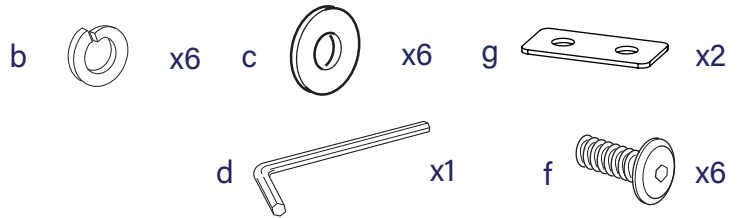
**9** Fit the angled corner brackets and tighten the bolts 90%.



**Make certain the bed is squared up as shown in the diagram then tighten all bed assembly bolts 100%.**

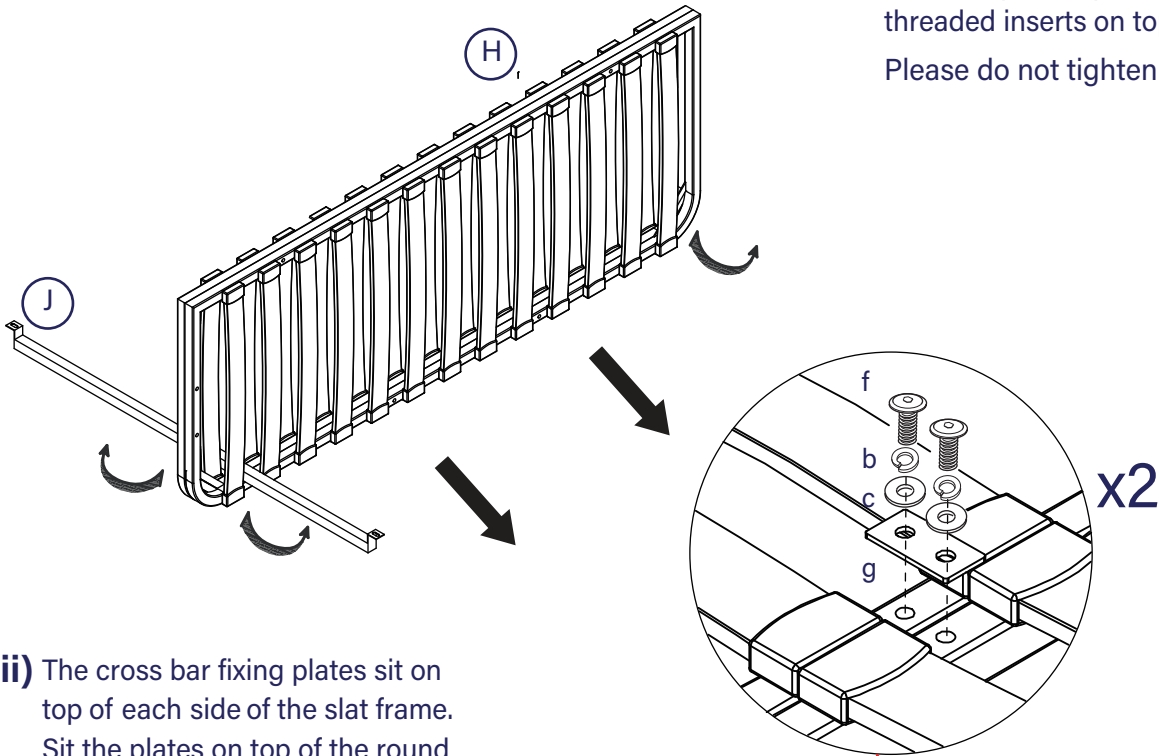


## 10 Assemble the slat frame.



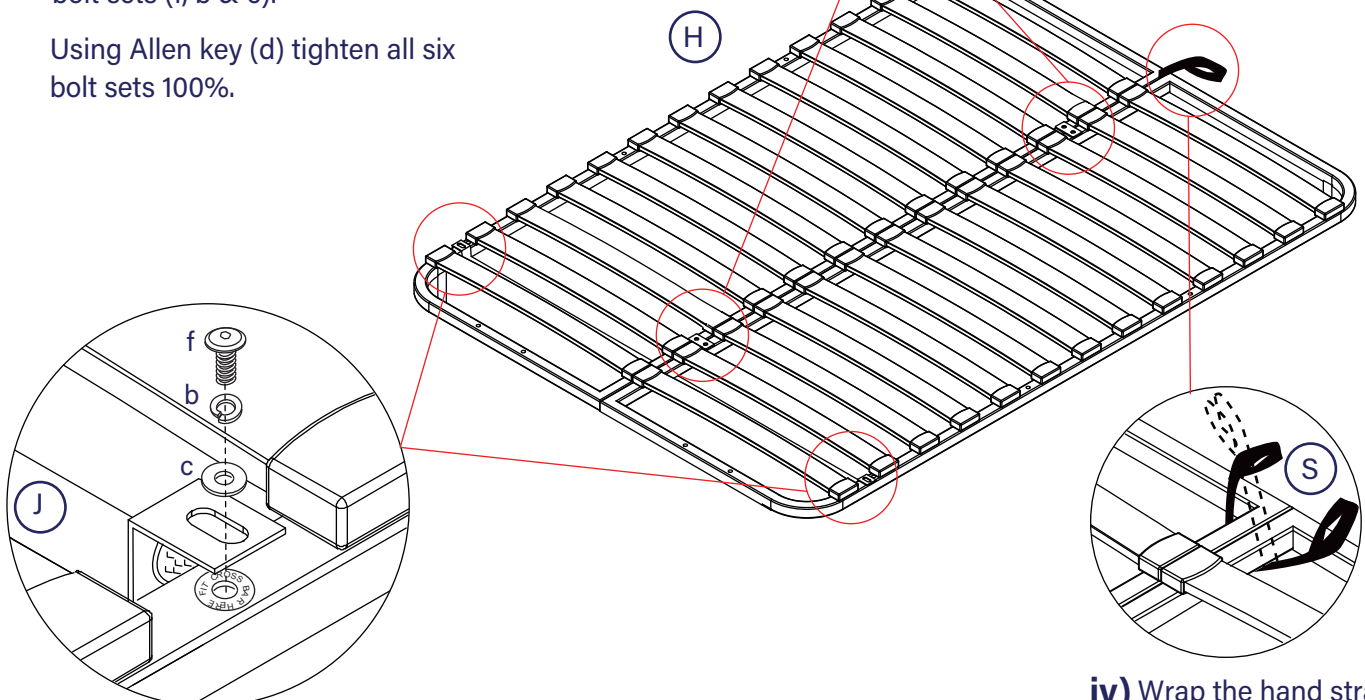
i) The fitting position for cross bar (J) is clearly labeled on top of the slat frame (H). Pass the bar through the gap between first & second slat. Carefully unfold the frame.

ii) Fit two connection plates (g) to the top of the slat frame (H) using four bolt sets (f, b & c), screw into the threaded inserts on top of the frame. Please do not tighten 100% yet.



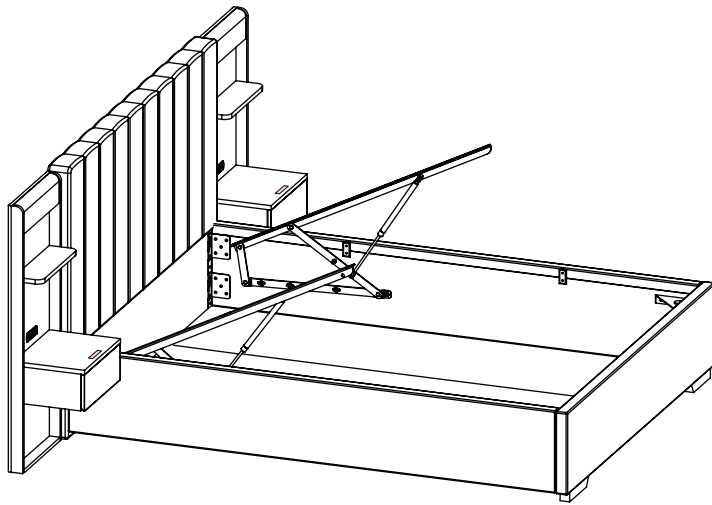
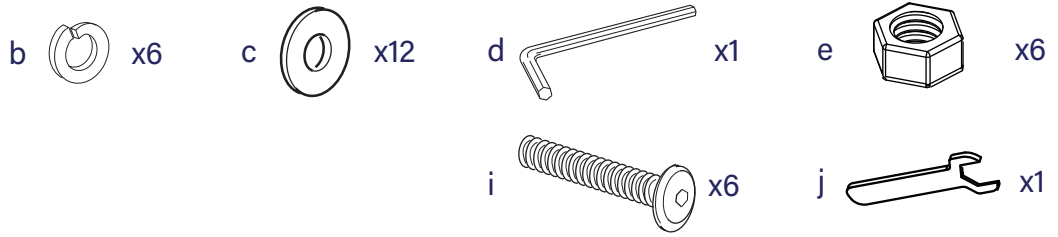
iii) The cross bar fixing plates sit on top of each side of the slat frame. Sit the plates on top of the round labels and align with the threaded holes. Loosely fit the bolt sets (f, b & c).

Using Allen key (d) tighten all six bolt sets 100%.

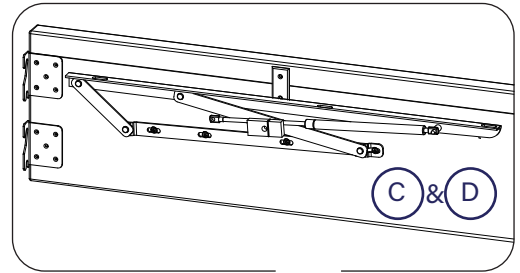


iv) Wrap the hand strap around the end of the frame.

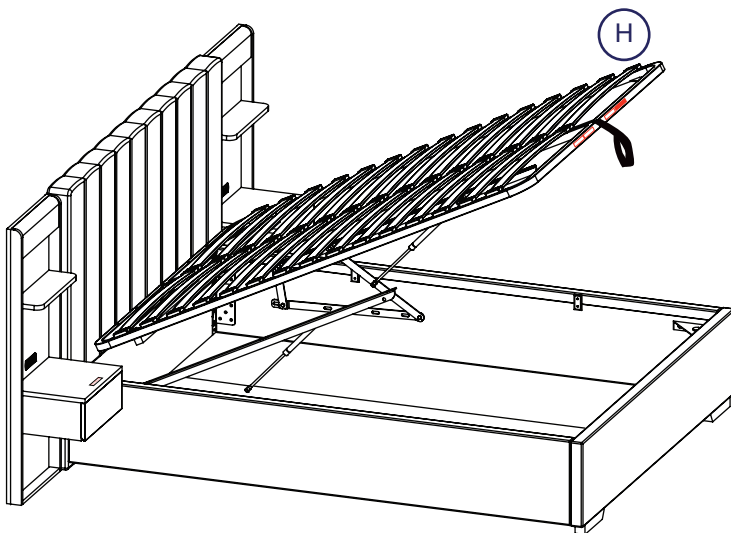
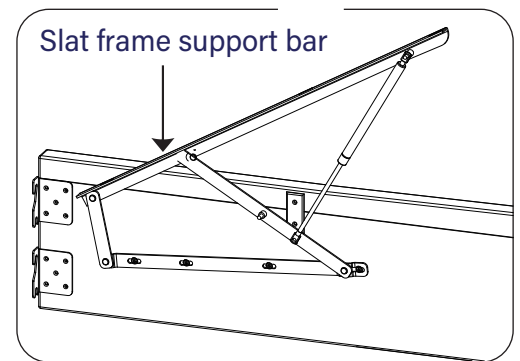
**11** Lift up the support bars then bolt the slat frame to them.



**i)** Un-tie the hinge mechanism, and take out the transit block.

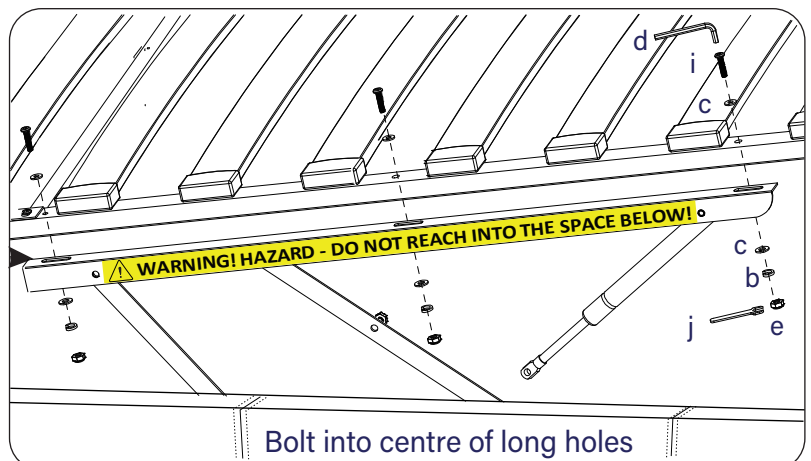


**ii)** Hold the bars forward



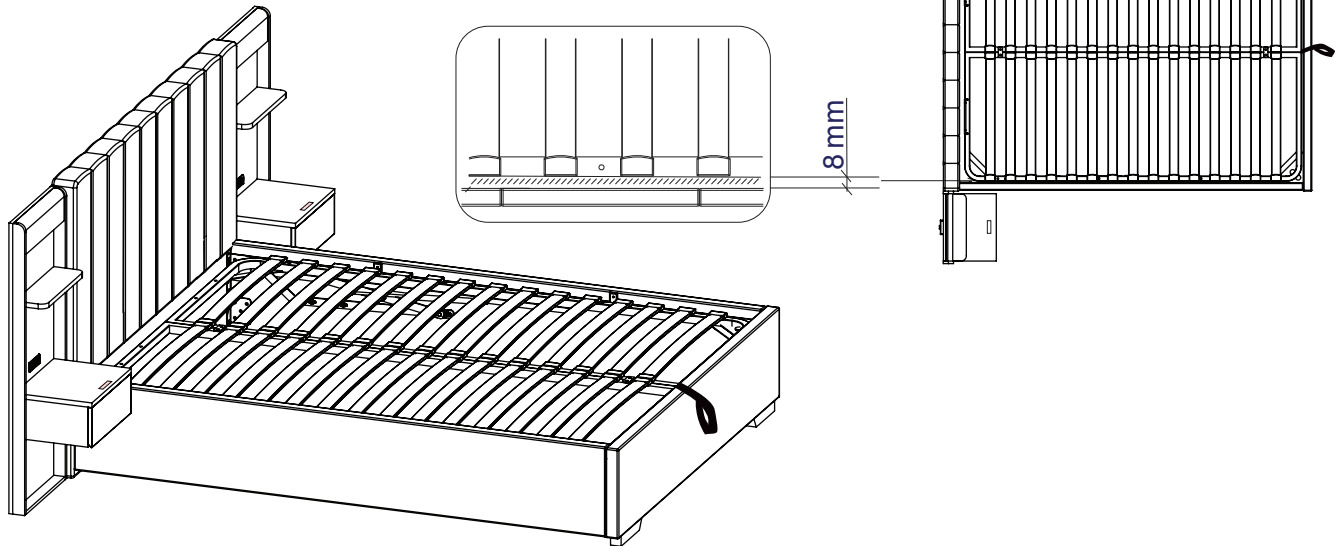
**iii)** With help from your assistant lift the slat frame onto the support bars aligning first set of holes on the slat frame with first set of holes in the support bars (nearest to headboard).

**iv)** Using three bolt sets on each side (i, c, c, b, & e), fix slat frame to the support bars but do not tighten fully yet.

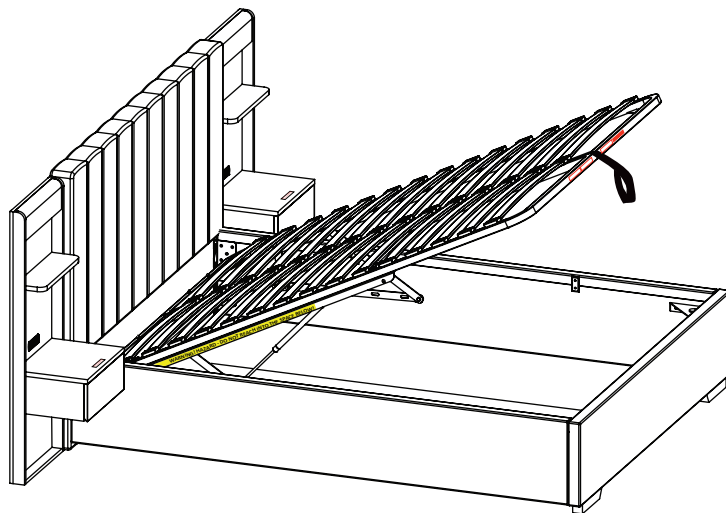


v) Carefully lay the frame down making sure there is an even gap all round as in the sketch.

vi) Hold the frame securely then tighten all six bolt sets 100% using spanner (j) & Allen key (d).



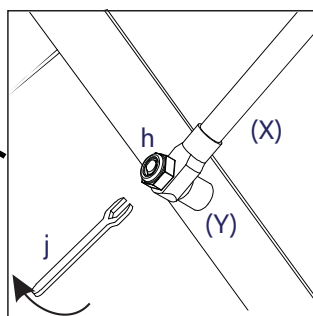
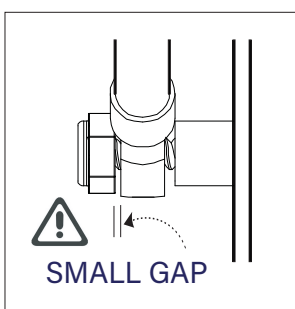
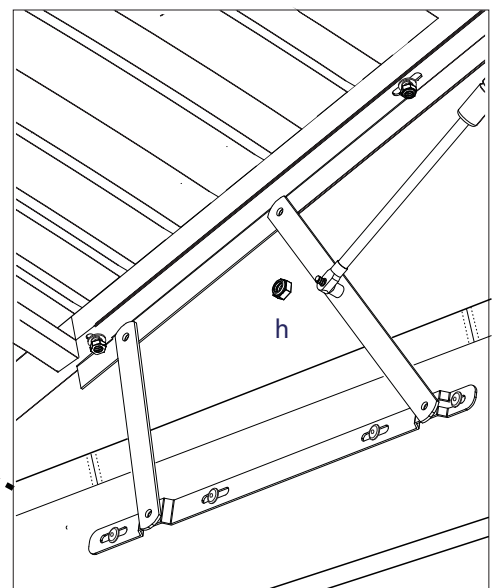
## 12 Fit the gas-lift pistons to the mechanisms.



i) During this next step, the assistant should hold up the slat frame.

On the gas-lift mechanisms, on both side rails, slide the gas-lift piston stem (X) onto the axle (Y) then fit the flanged lock-nuts (h).

ii) Tighten nuts with spanner (j) - but do not over-tighten. A small gap is needed so stems can move freely - this is important - see sketch below.

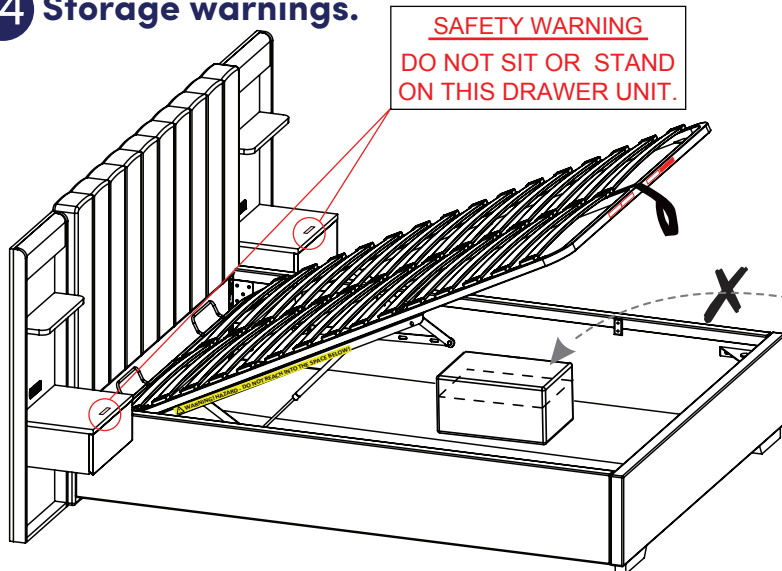


### 13 Fit the accessories.



Push x2 mattress stoppers (I) into the slat frame, they should go all the way through the upper & lower metal sections.

### 14 Storage warnings.



- i) Whilst the fixings are very strong, please DO NOT allow anyone, especially children playing, to sit or stand on the bedside drawer units as these are not designed to hold more than 25Kg.
- ii) Be very careful what you store under the bed - the top of an item, like a suitcase or a box, must not touch the slats or they may be damaged. Maximum storage height is 270mm .

### Technical Specifications

#### Overall Dimensions (LWH mm)

Double: 2090 x 2334 x 1105

King: 2190 x 2484 x 1105

#### Internal Dimensions (LWH mm)

Double: 1950 x 1380 x 270

King: 2050 x 1530 x 270

#### Distance between slats (mm)

Double & King: 70

#### Tall Bedside Dims, (WDH mm)

427 x 312 x 1095

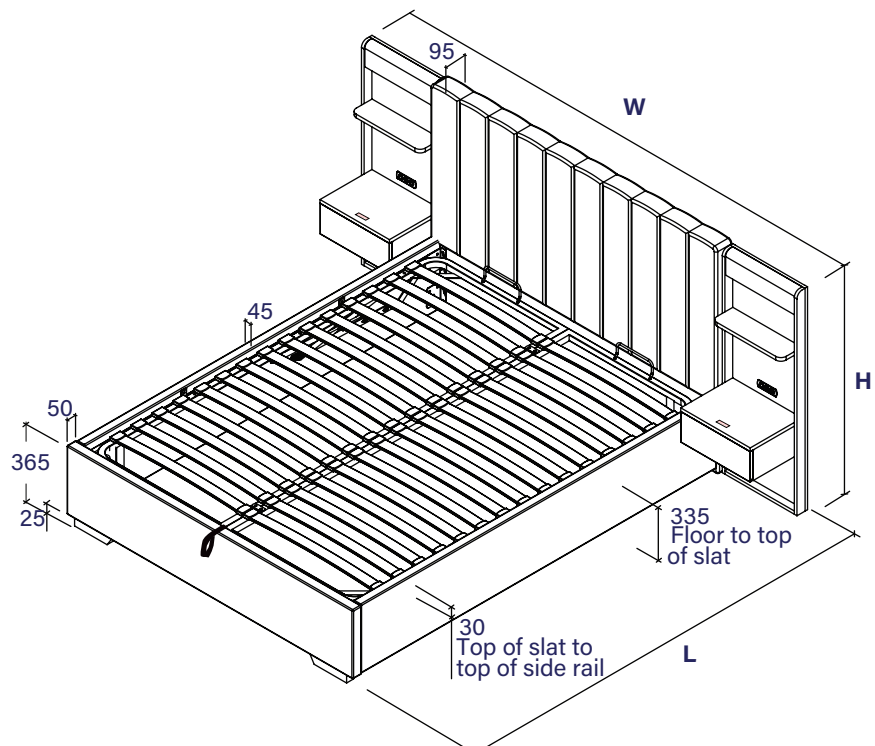
#### Ottoman Piston Rating

Double & King: 900 N

#### Slat Dimensions (LWH mm)

Double: 670 x 53 x 9

King: 745 x 53 x 9



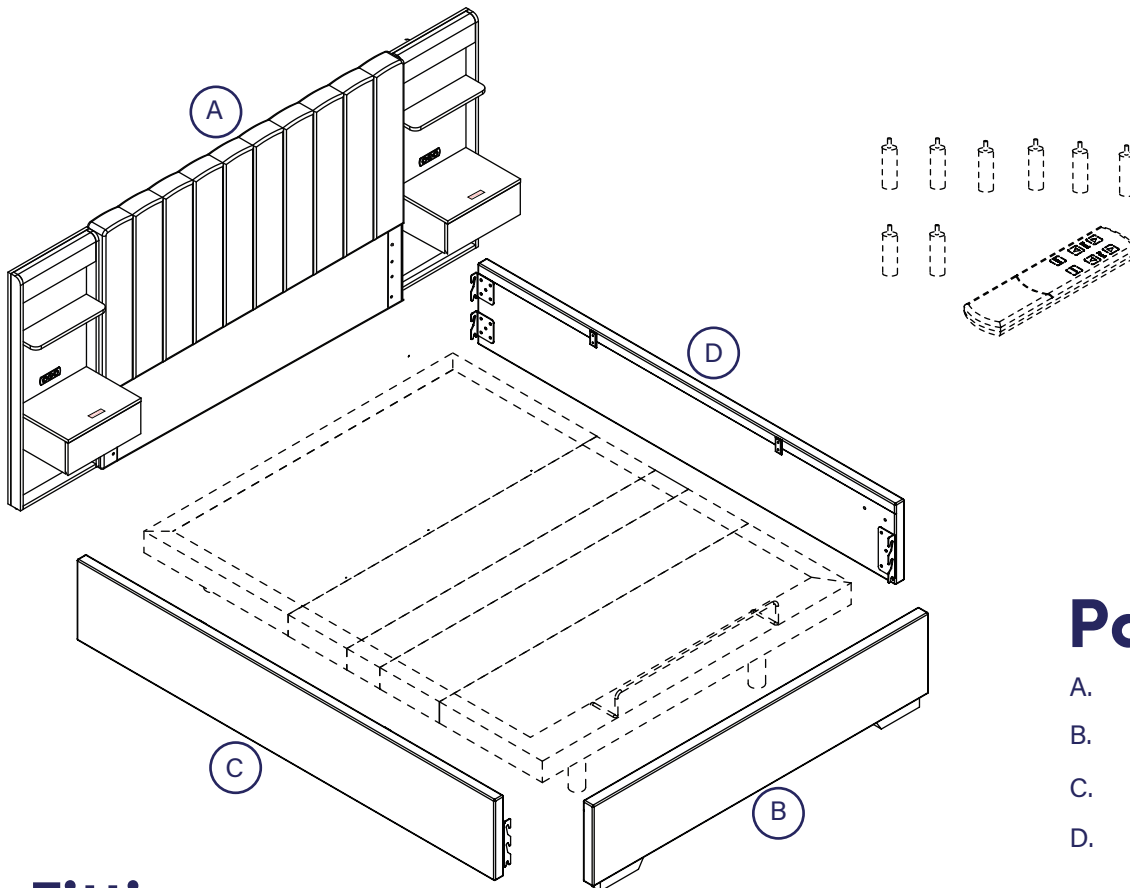
## SECTION C – FIT THE LIFESTYLE 200i BED TO THE HEADBOARD.

PLEASE CAREFULLY FOLLOW THE INSTRUCTIONS IN THE FOLLOWING ORDER

These are the bed parts & fittings for the Sleepmotion Lifestyle 200i electric base packed in box 1, 2L & 4. The electric bed base is delivered in it's own carton - the dotted parts shown below come packed with it.

### Parts

The bed you have purchased comes with a Lifestyle 200i electric base. Once the base is built, place it in the location where it shall be used then please follow the steps in this assembly instruction to build your bed-frame around the base, disregarding the assembly guide packed inside Pack 2 or 2L.



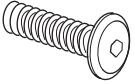



### Parts list

- A. Headboard 1
- B. Footboard 1
- C. Side rail - Left 1
- D. Side rail - Right 1

### Fittings

Please check you have all the parts listed below with your product:

#### Hardware needed for fixing side rails to headboard & footboard Packed in side rail pack 2L.

<p>a x14</p>  <p>Bolts (M8x30mm) for fitting side rails (C&amp;D) to headboard &amp; footboard (A&amp;B)</p>	<p>b x14</p>  <p>Spring washer for M8 bolts</p>	<p>c x14</p>  <p>Flat washer for M8 bolts</p>	<p>d x1</p>  <p>Allen Key for M8 bolts</p>
---	--	--	---



Before starting assembly please refer to the owners manual supplied with your sleepmotion 200i bed base and follow the instructions taking note of any safety precautions or operational safety requirements of the installation.

In the room where bed will be used, first prepare the bed base by fitting the eight long legs - 6" (15cm), see Step 15 on the next page..

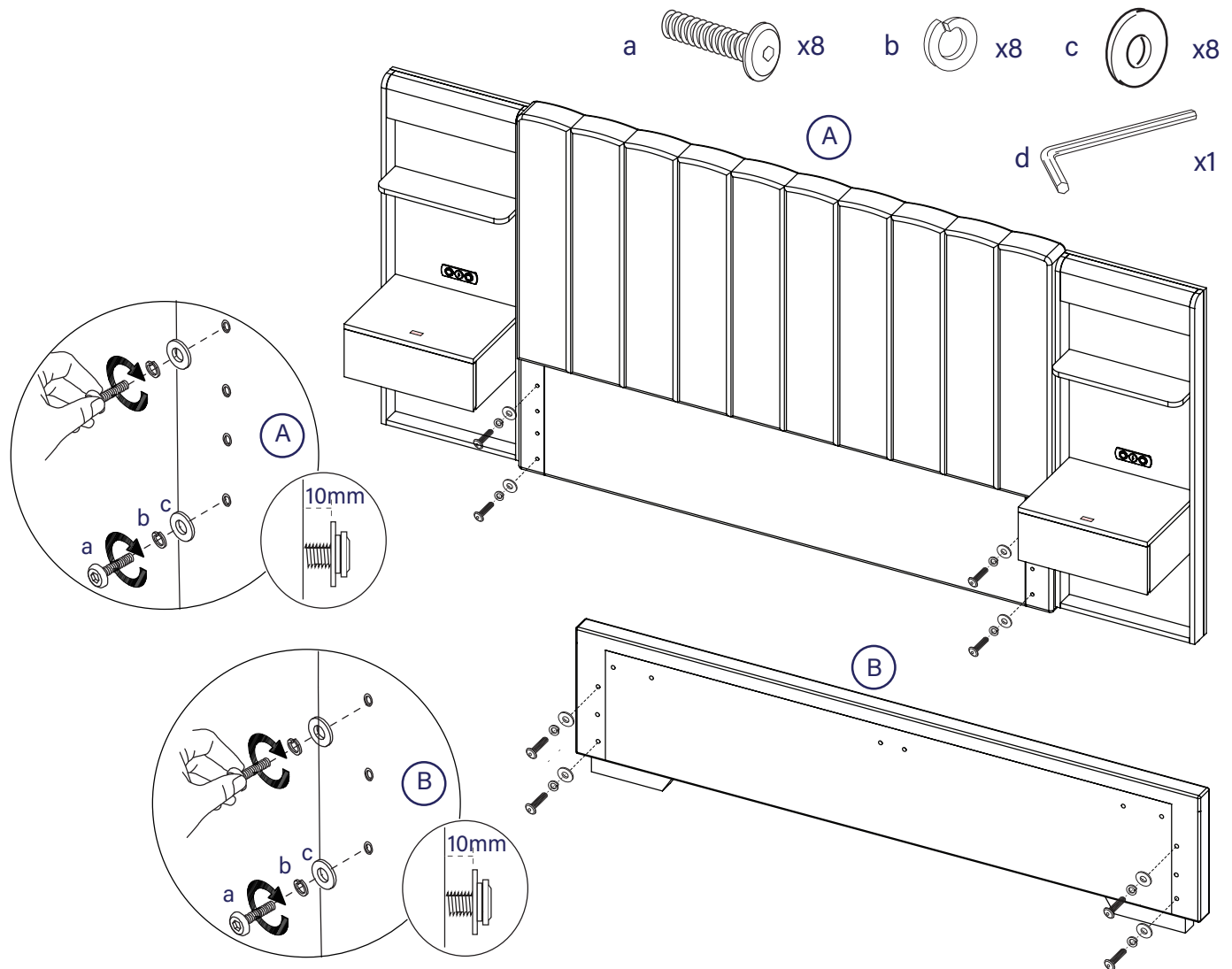
Connect the power and check the operation then, step by step, follow the bed assembly instructions, to build the bedstead around the sleepmotion 200i bed base.



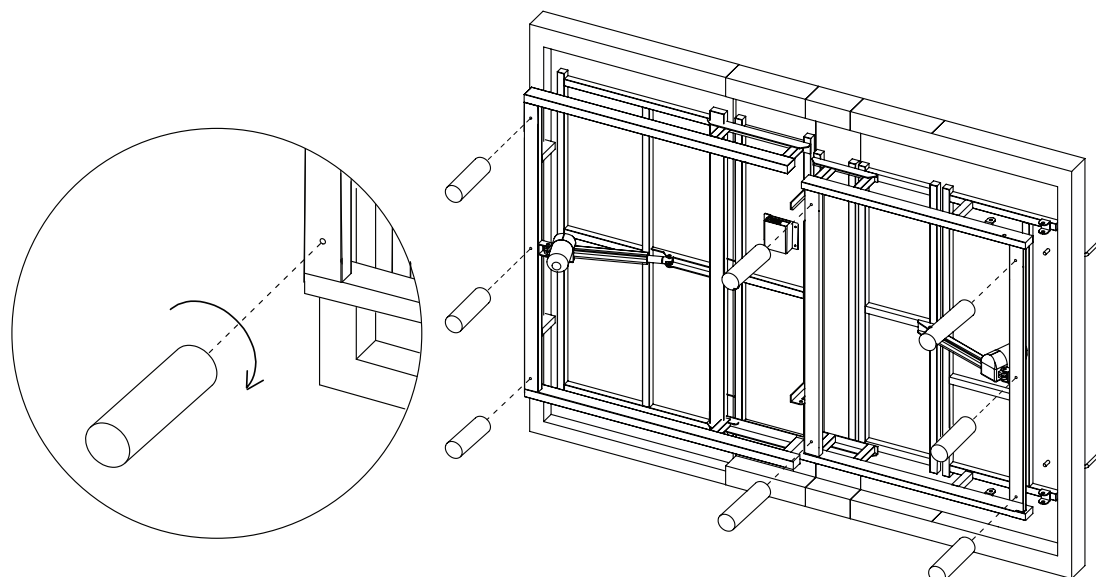
## 15 Prepare the Lifestyle 200i bed for assembly.

i) Follow steps 1 to 5 fitting the wings to each side of the main headboard then with the headboard against the wall in it's final position - plug in the power and check all is prepared in the way you want it to work. If not refer to Step (5i).

ii) Prepare the headboard & footboard for assembly by inserting the screw sets (a, b & c).

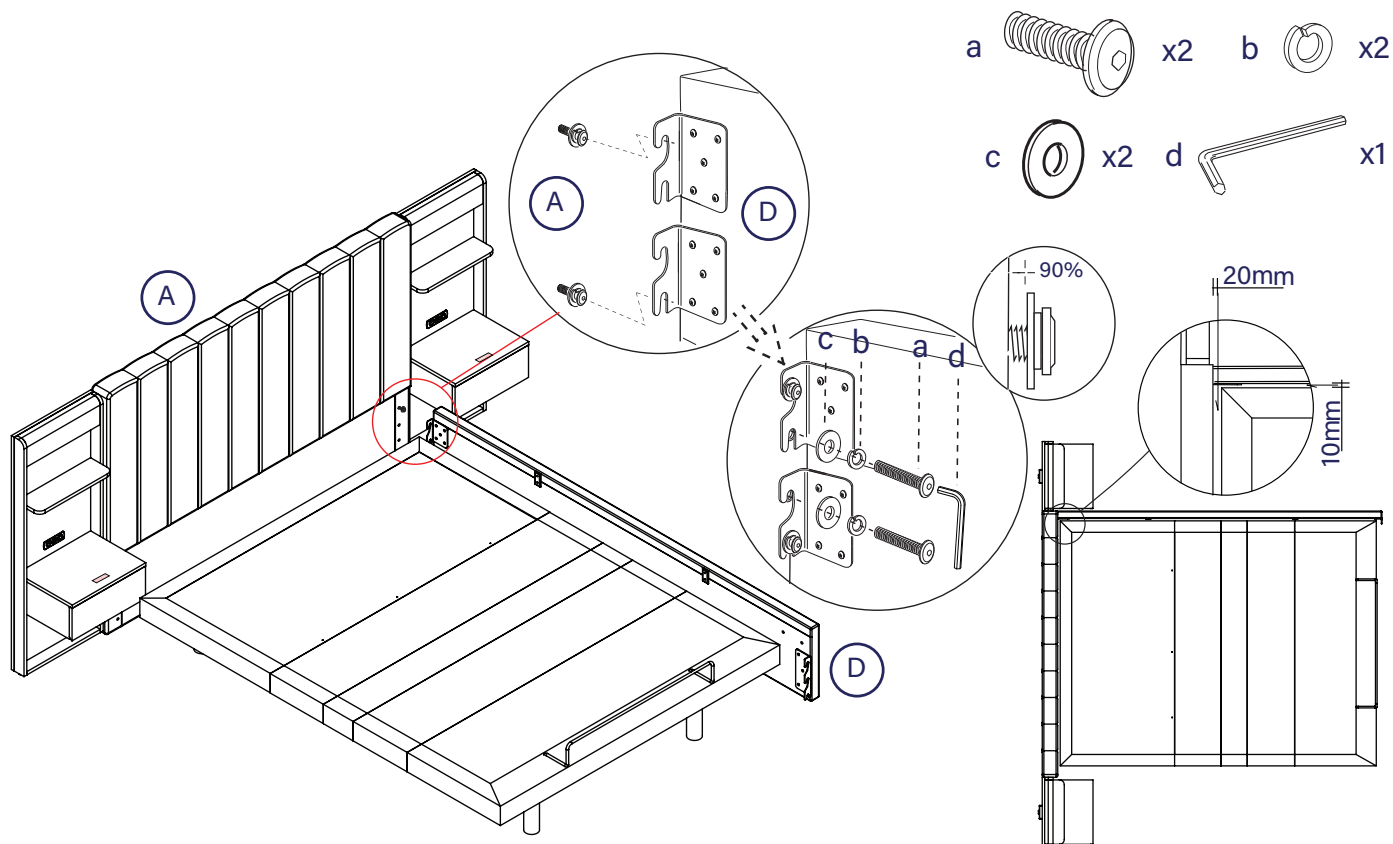


iii) Into the underside of the bed base, screw in the eight 6" (15cm) legs as shown.



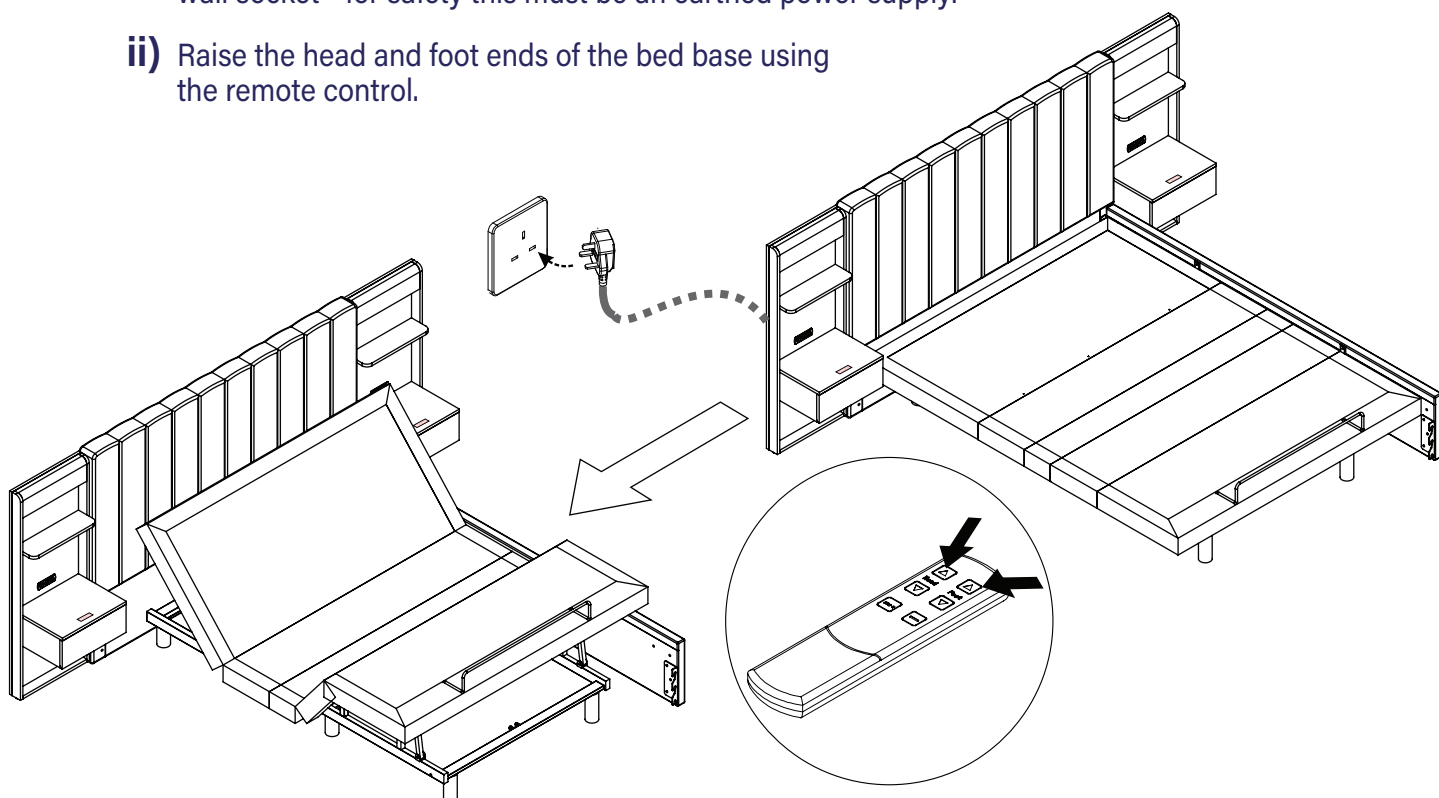
## 16 Position the electric bed base.

With the headboard in the final location in which it shall be used, attach the right hand side rail to it. Make sure the electric bed base is the correct way round with mattress stopper at the footend. Carefully lift and place the electric bed base into the corner between headboard and side rail as shown - it is heavy so please get help. Leave an even gap around the perimeter, see sketch below right.



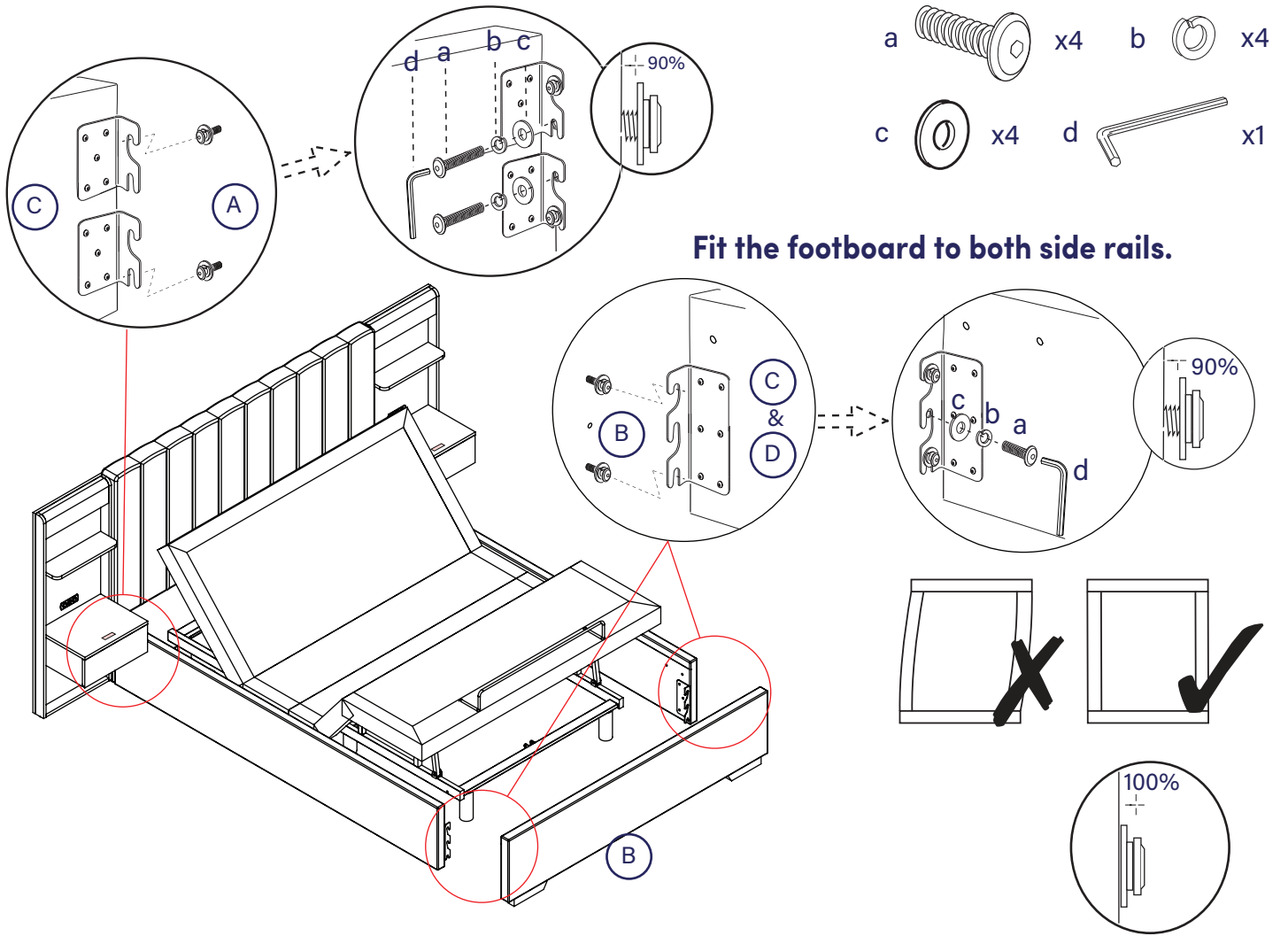
## 17 Connect the power to the electric bed base.

- i) Route the plug & lead under the headboard and connect the power lead to your wall socket - for safety this must be an earthed power supply.
- ii) Raise the head and foot ends of the bed base using the remote control.



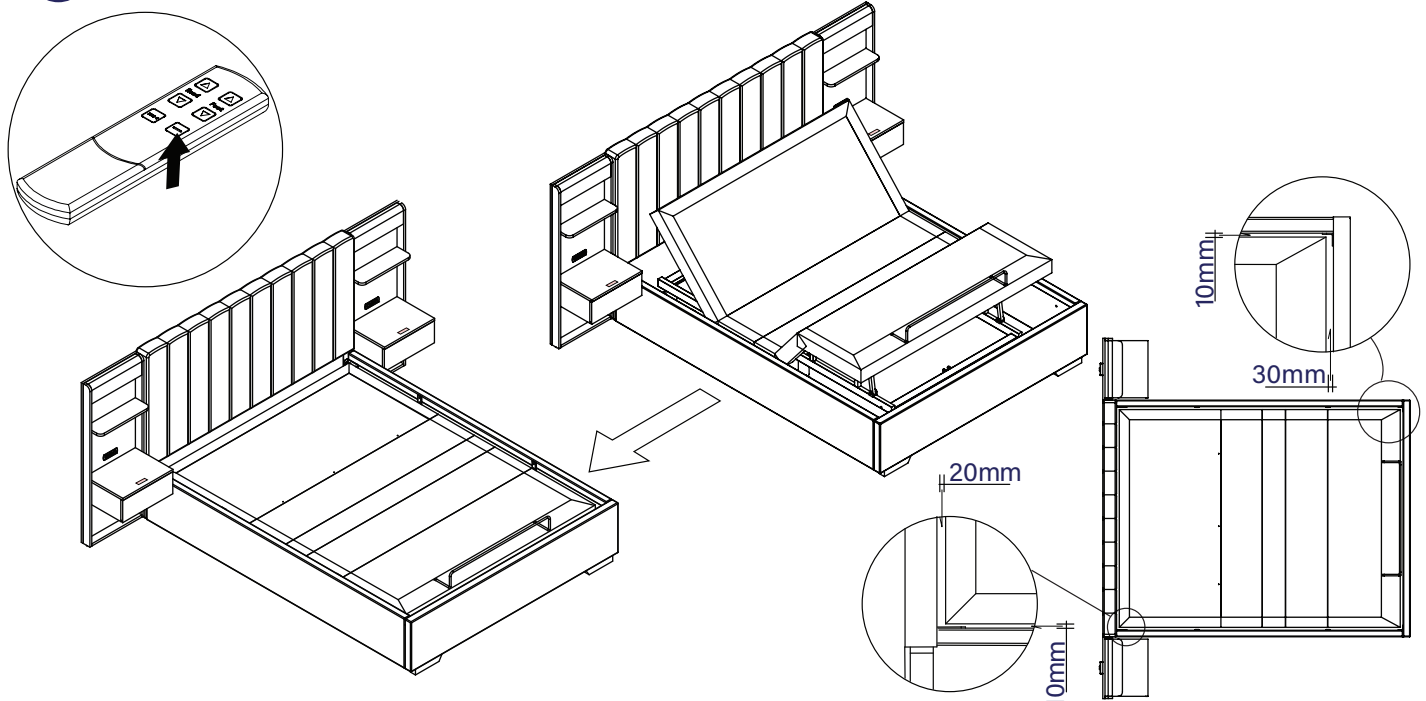


**18** Firstly, position the LH side rail and bolt it to the headboard.



Make certain the bed is squared up as shown in the diagram then tighten all bed assembly bolts 100%.

**19** Flatten the bed and check the gaps are as per the sketch below



## Technical Specifications

### Overall Dimensions (LWH mm)

Double: 2090 x 2334 x 1105

King: 2190 x 2484 x 1105

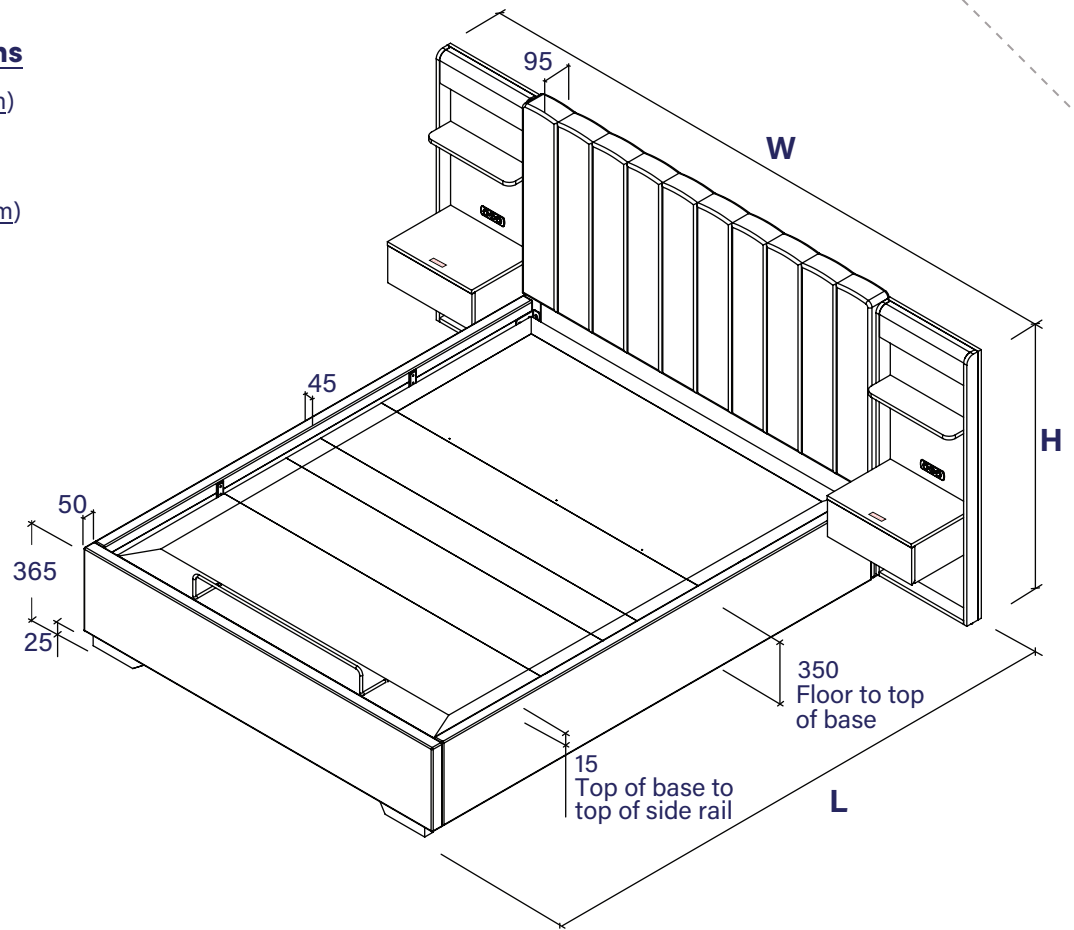
### Internal Dimensions (LWH mm)

Double: 1950 x 1380 x 270

King: 2050 x 1530 x 270

### XL Wing Dims, (WDH mm)

427 x 312 x 1095



Owen Sleepmotion Lifestyle Bed - Assembly guide 'C' - Page 20

## Care and maintenance

Here are some tips to keep your new bed in tip-top condition



### Cleaning

To clean your new bed, we'd advise using a warm damp cloth or if fabric, remove dust using a low suction vacuum cleaner.

Please do not use abrasive chemicals or bleach as this may damage the product.



### Checking and moving

Periodically we recommend you check that the screws or fixtures haven't become loose over time. To move your new bed, we recommend lifting it where possible, as dragging or pushing it could cause damage to the legs or flooring.



### Wood

Please note each of our wooden pieces are unique, meaning that markings and shade can vary slightly between beds. Over a period of time, the wood might lighten or fade slightly due to light exposure.



### Fabric

Please note depending on the lighting, positioning and surroundings of your room, the shade of the colour can sometimes appear slightly different. Over a period of time, the colour might lighten or fade slightly due to light exposure.



### Metal

Metal tends to be more resilient to everyday wear and tear. We recommend to gently dust your metal furniture and keep it dry to maintain its look.

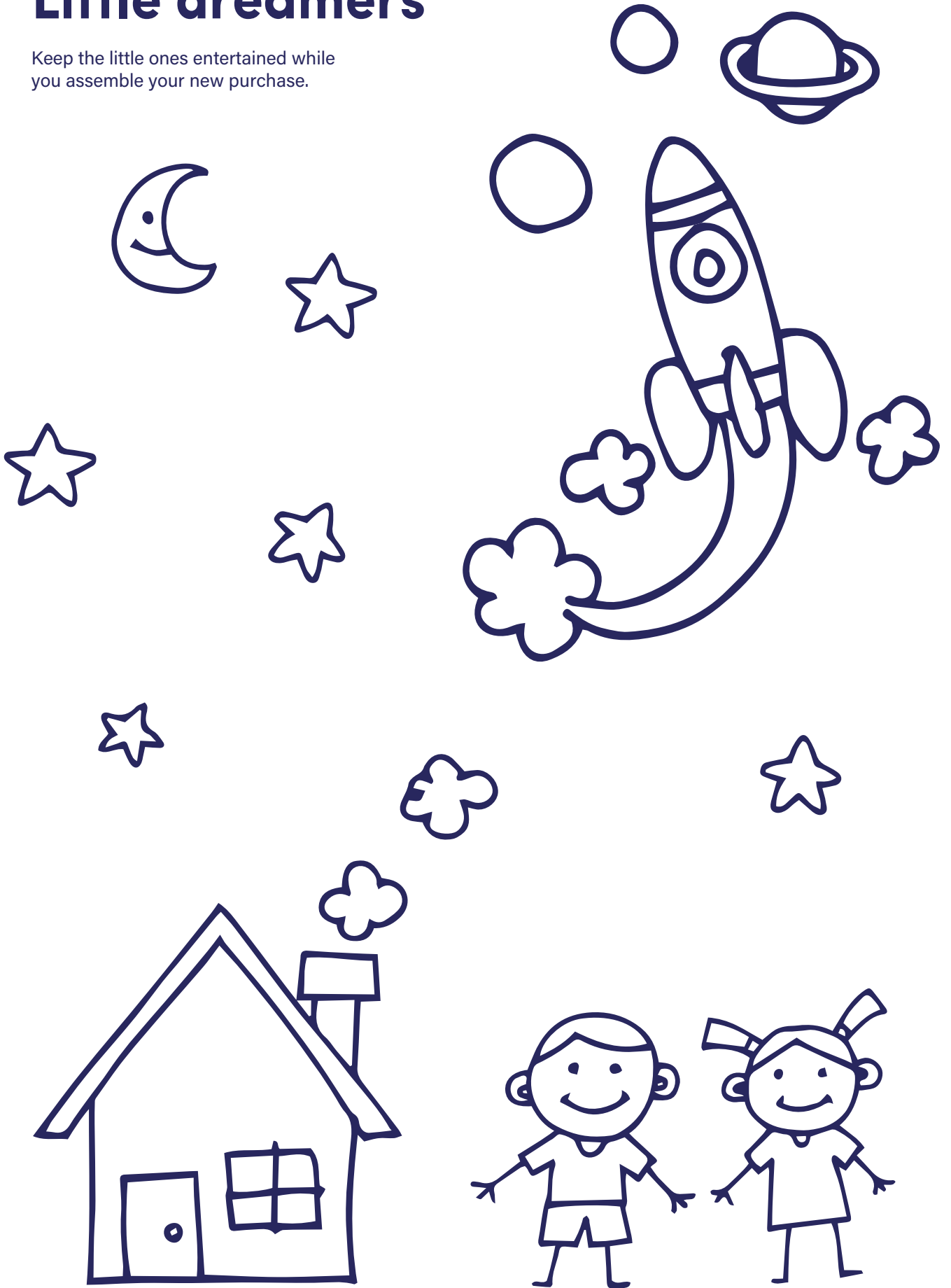
**Thank you for shopping with us - we hope you have a great night's sleep.**

*Sleep well*



# Little dreamers

Keep the little ones entertained while you assemble your new purchase.



**Dreams**

