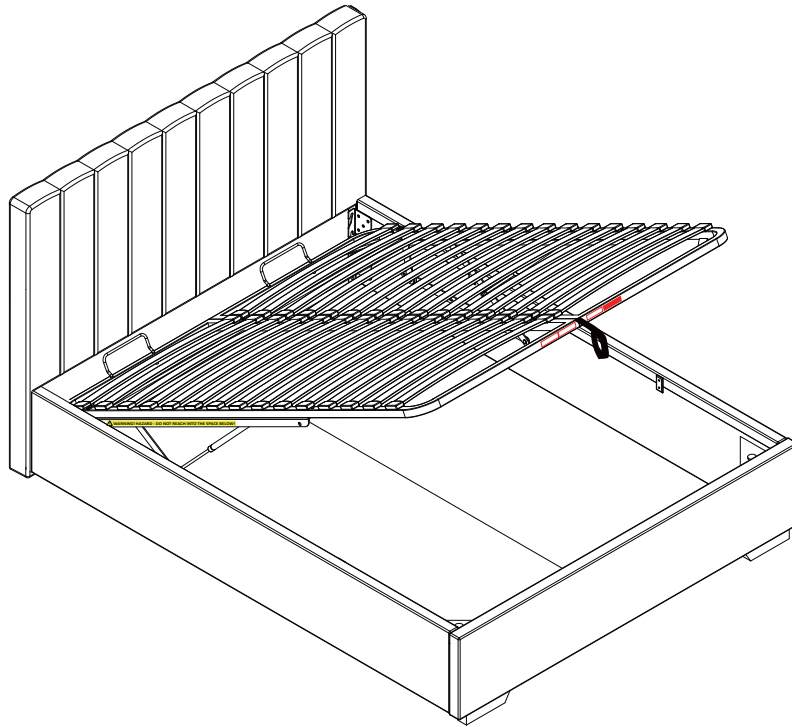


Owen Ottoman Storage Bed



Important - read this guide carefully and retain for future reference.

Ottoman Safety Warnings

- You must ensure that the mattress is on the bed frame before operating the lift mechanism - Failure to do so could result in injury.
- Keep hands clear of the mechanism when opening or closing the ottoman.
- Beware of entrapment - Never reach in through the mechanism to access the storage area.
- Always ensure that the ottoman is FULLY opened before accessing the storage area.
- Do not exceed the maximum weight as specified in the table below:

Bed	Bed Size	Min Weight (kg)	Max Weight (kg)
Owen	Double	20	50
	King	20	50



1.5 hour approx
assembly time



Two person
assembly

Dreams

Thank you

Hello, thanks for choosing to purchase your bed from Dreams - you're now on your way to your best ever night's sleep. Before you begin building your bed, please take a moment to read through the instructions and make sure that you've got all the relevant parts listed on the following pages.



Assembly tips

Before you begin, it's best to identify all parts and fittings to build your bed. We advise laying these out on the floor to check you have everything, and familiarising yourself before building.



Top tip

We recommend that you build your new bed in the room you'd like it to be located - this will help prevent any risk of damage to your newly built bed whilst moving it.



Safety and care

It's really important to ensure children and animals are kept away from the assembly area, as there are small components used in this bed which could present a choking hazard. All plastic and wrapping materials should also be kept away from children and animals to prevent any risk of suffocation. To keep your little ones busy, there is a colouring page inside the back cover.



Help and support

At Dreams, it's our mission to give the whole nation a great night's sleep - this means that the quality of our products is of utmost importance to us. If there are any issues with your product or any missing parts, please contact our Help Centre on 0800 652 6750, where a member of our team will be happy to help. (For customers based in Northern Ireland, please call 028 9050 8300)



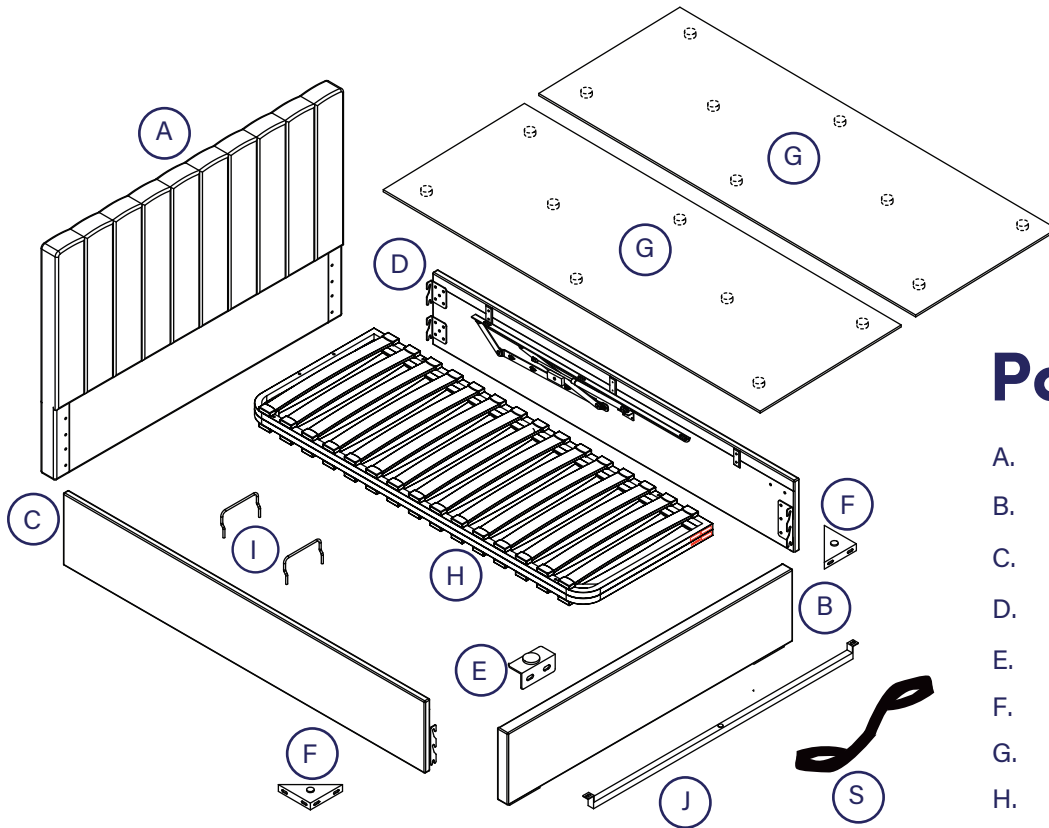
Recycling

Please ensure that packaging is disposed of in a safe and environmentally friendly way, and recycle where possible. Our assembly instructions are printed on recycled paper. Please keep your assembly instructions safe to refer back to in the future.

Parts

Important information

The bed you have purchased comes with an ottoman lift up base, please follow the instructions below in the current order. Before you begin building your new bed please take a moment to read through the instructions and make sure that you've got all the relevant parts listed on the following pages.



Parts list

A.	Headboard	1
B.	Footboard	1
C.	Side rail - Left	1
D.	Side rail - Right	1
E.	Frame support bracket	1
F.	Angled corner brackets	2
G.	Storage base boards	2
H.	Metal ottoman slat frame	1
I.	Mattress stoppers	2
J.	Cross bar	1
S.	Fabric hand strap	1

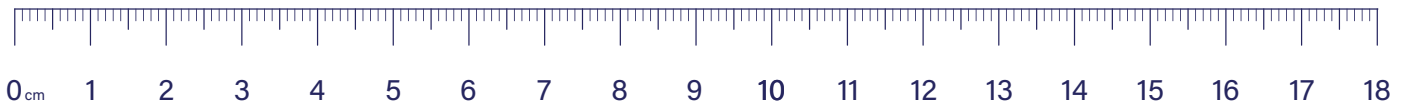
Tools required



Tape measure



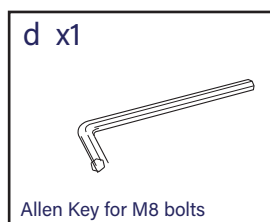
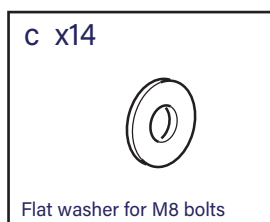
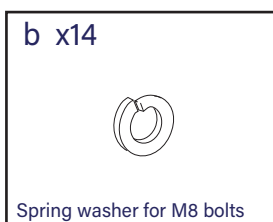
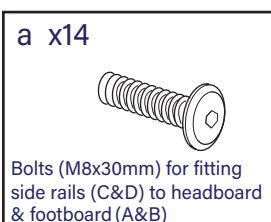
Cross head screwdriver






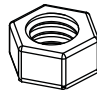



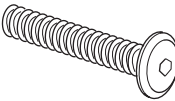

Fittings

Please check you have all the parts listed below with your product:

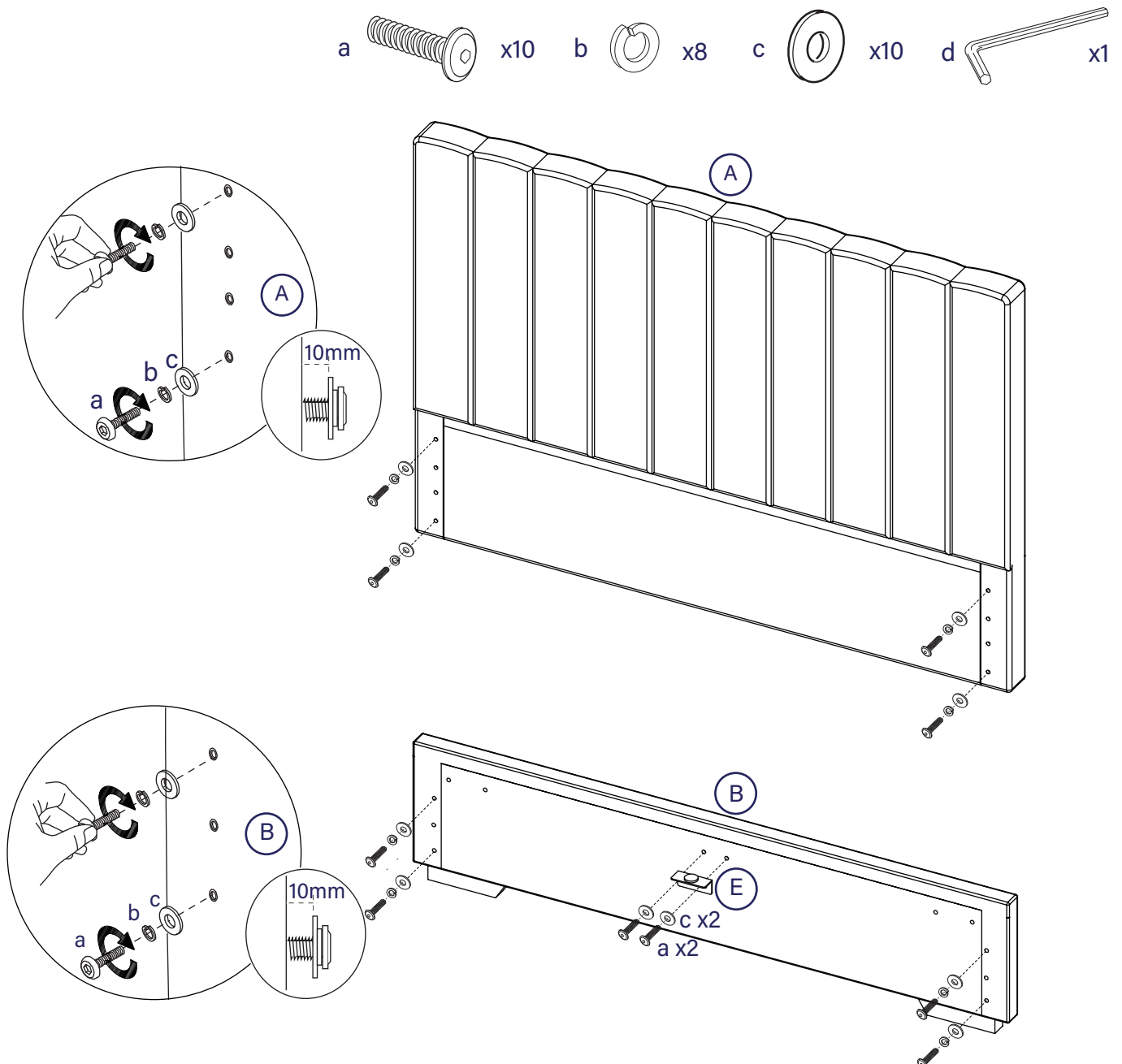
Hardware needed for fixing side rails to headboard & footboard
Packed in side rail pack 2 - hardware pack (A).



Hardware needed for fitting the metal ottoman slat frame Packed in ottoman pack 3 - hardware pack (B).

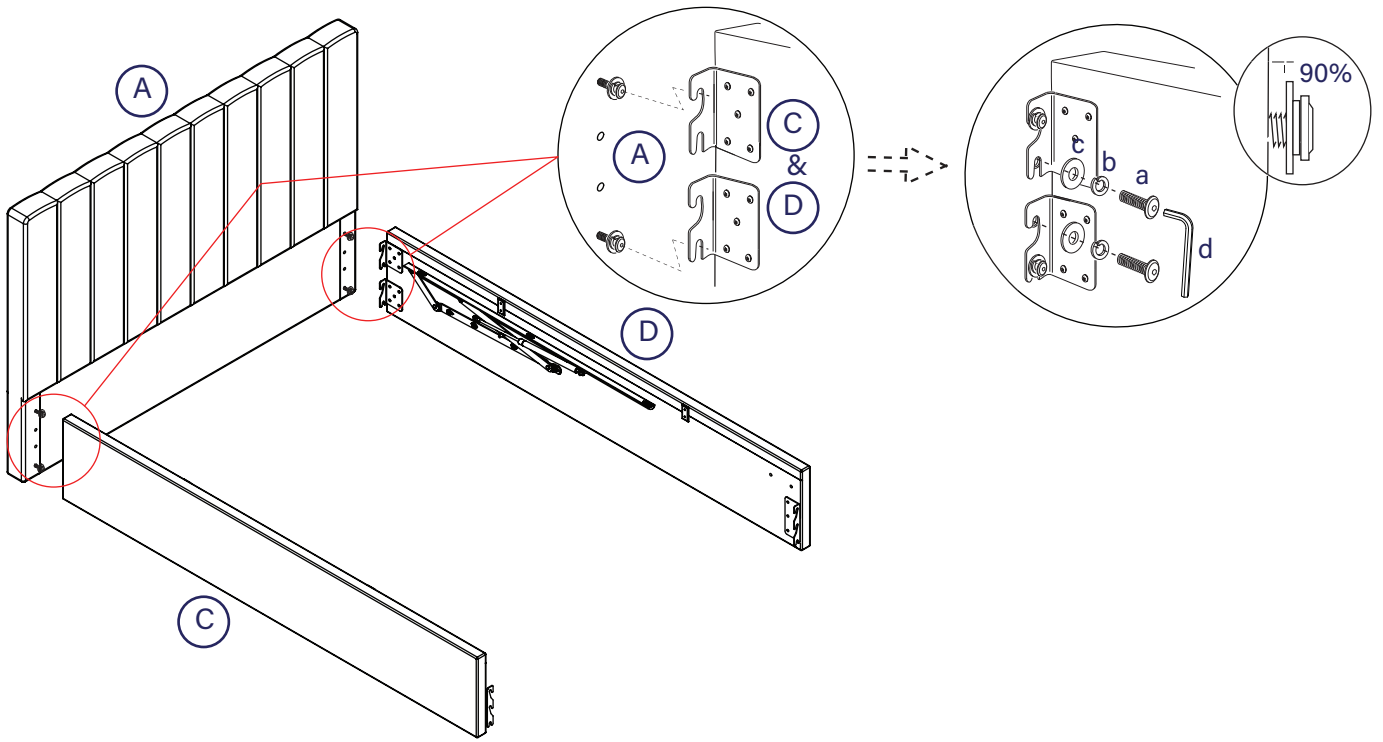
<p>a x10</p>  <p>Bolts (M8x30mm) for fitting angle brackets (F) to side rails (C&D) & footboard (B), fitting slat frame support bracket (E) to footboard (B)</p>	<p>b x20</p>  <p>Spring washer for M8 bolts</p>	<p>c x28</p>  <p>Flat washer for M8 bolts</p>	<p>e x6</p>  <p>Nut for M8 bolts (i)</p>	<p>f x6</p>  <p>Bolts (M8x20mm) for fitting metal connection plates (g) and cross bar (J) to metal slat frame (H)</p>
<p>g x2</p>  <p>Metal Connection Plates</p>	<p>h x2</p>  <p>Flanged lock-nut (M8) for gas-lift pistons</p>	<p>i x6</p>  <p>Bolts (M8x45mm) for fitting metal slat frame (H) to gas-lift mechanisms</p>	<p>j x1</p>  <p>Spanner for M8 nuts</p>	

1 Prepare the headboard & footboard for assembly

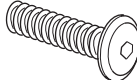


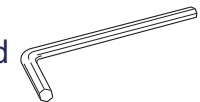


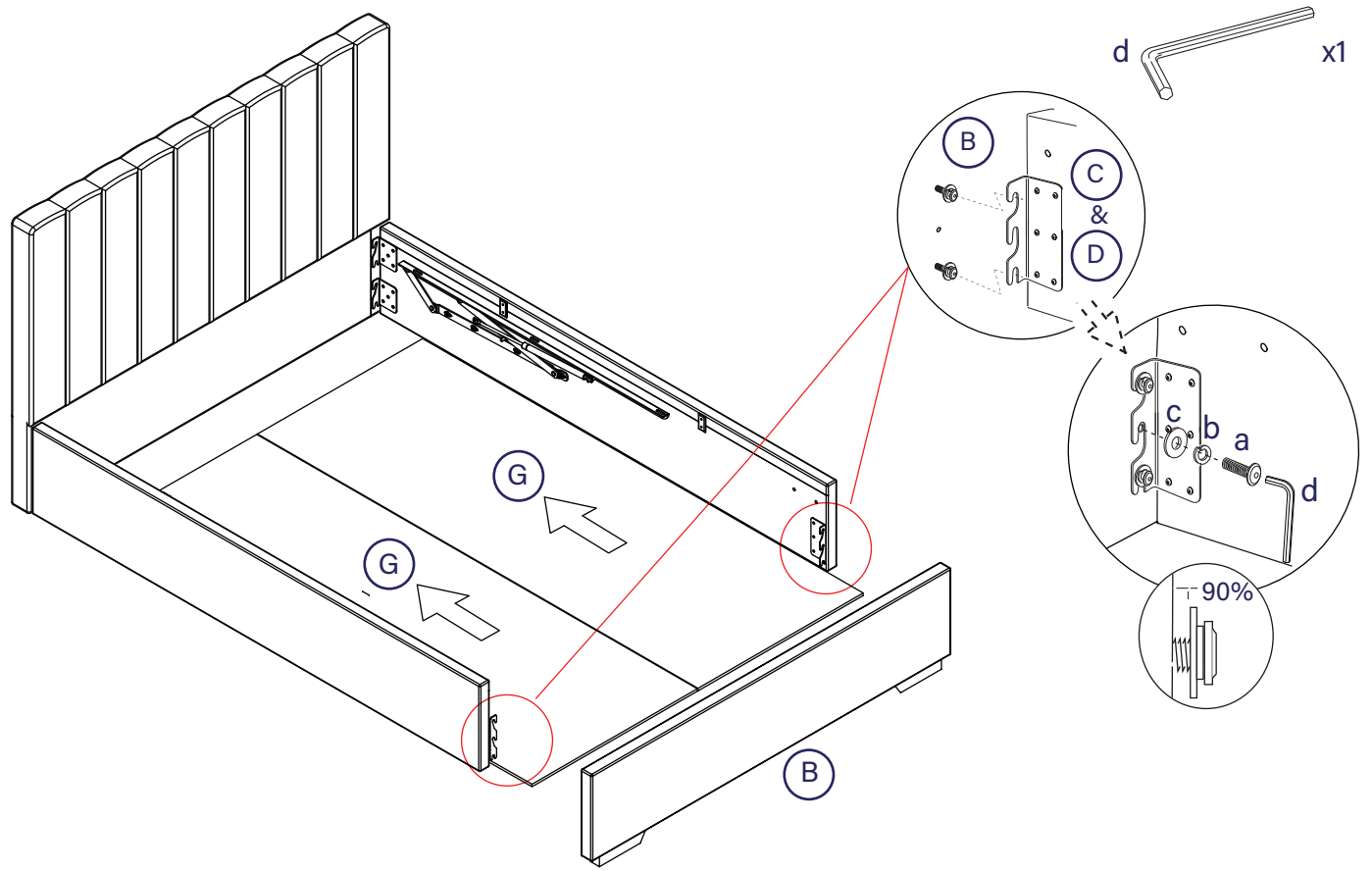
2 Fit both side rails to headboard, tighten all bolts 90%.

- a  x4
- b  x4
- c  x4
- d  x1



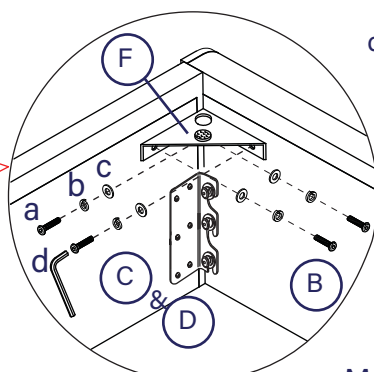
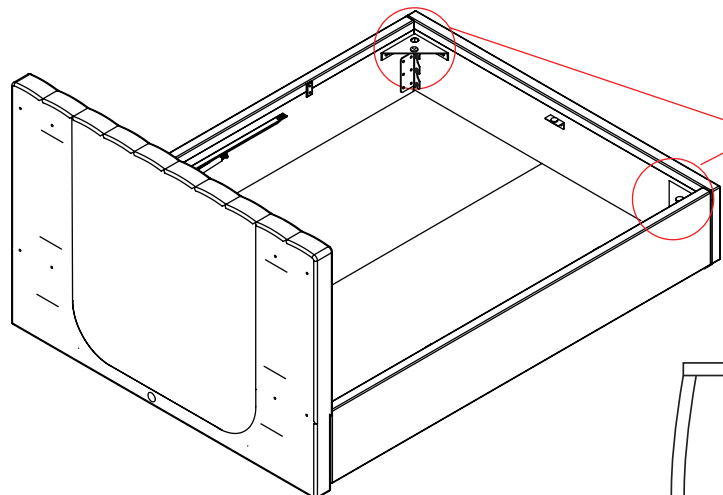
3 Slide in the storage base boards (G), then fit the footboard (B) to the side rails, tighten all bolts 90%.

- a  x2
- b  x2
- c  x2
- d  x1

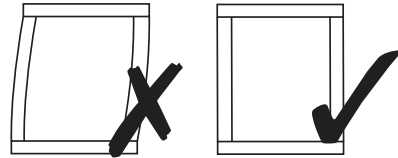
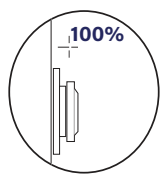


4 Fit the angled corner brackets and tighten all bolt sets 90%.

- a  x8
- b  x8
- c  x8





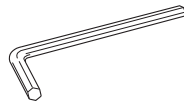
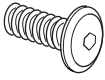

- d  x1

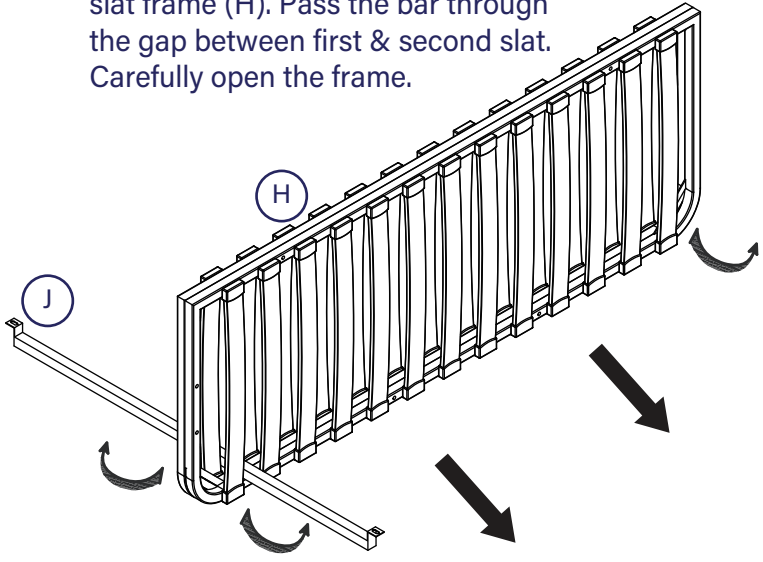


Make certain the bed is squared up as shown in the diagram then tighten all bed assembly bolts 100%.

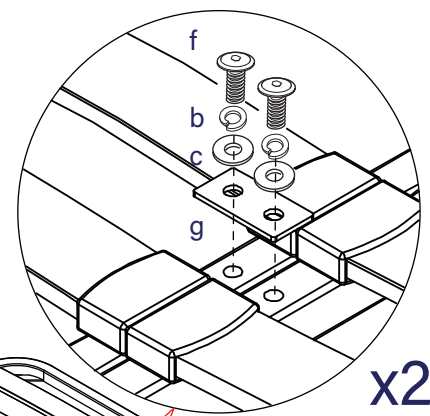
5 Assemble the slat-frame.

i) Fitting location for the cross bar (J) is clearly labeled at the end of the slat frame (H). Pass the bar through the gap between first & second slat. Carefully open the frame.

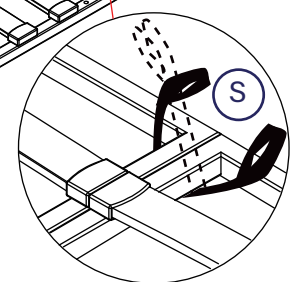
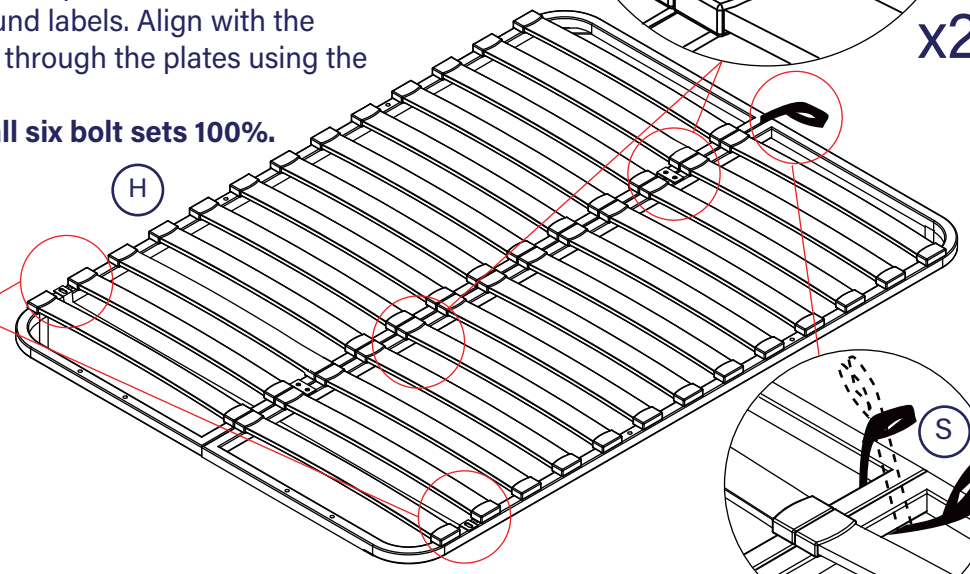
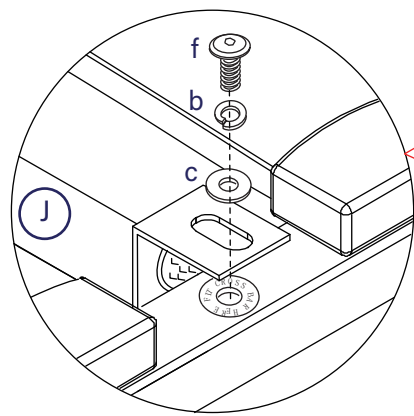
- b  x6
- c  x6
- d  x1
- f  x6
- g  x2



ii) To top of the slat frame (H), fit two connection plates (g) using four bolt sets (f, b & c), screw into the threaded inserts on top of the frame. **Please do not tighten 100% yet.**

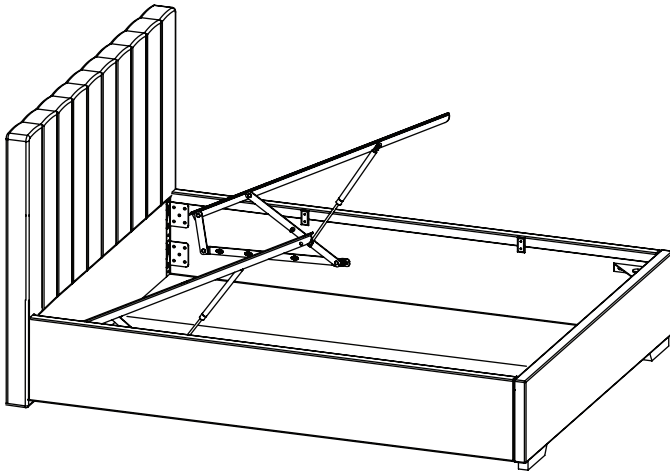
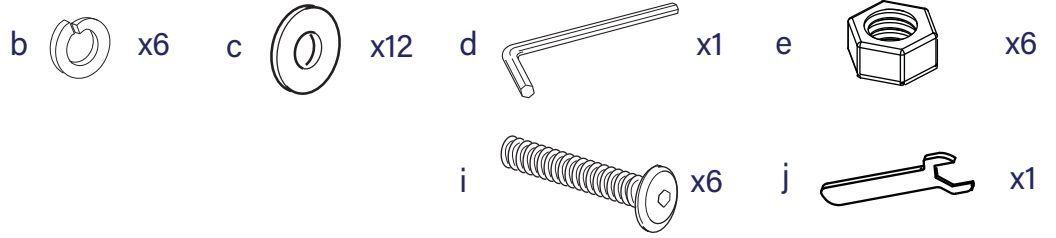


iii) The cross bar fixing plates sit on top of each side of the slat frame, sit the plates on the round labels. Align with the threaded holes and loosely fix through the plates using the bolt sets as in step (ii). **Using Allen key (d) tighten all six bolt sets 100%.**

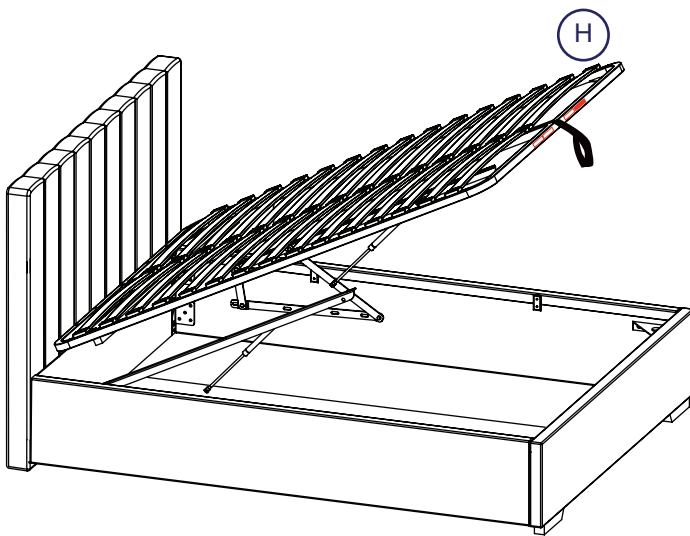
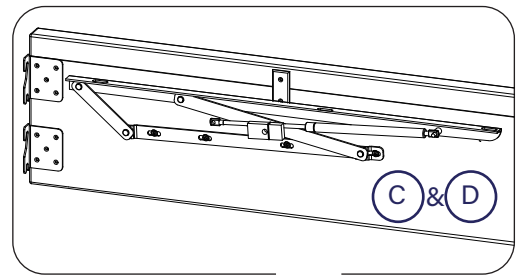


iv) Wrap the hand strap around the end of the frame.

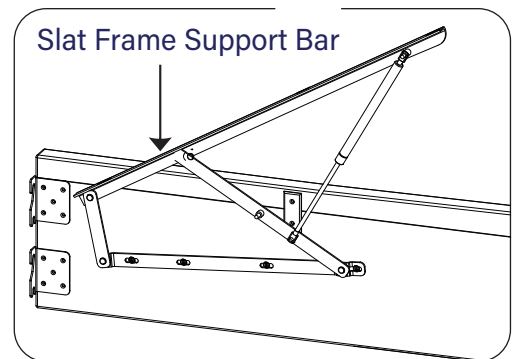
6 Lift up the support bars then fit the slat frame to them.



i) Un-tie the hinge mechanism, and take out the transit block.

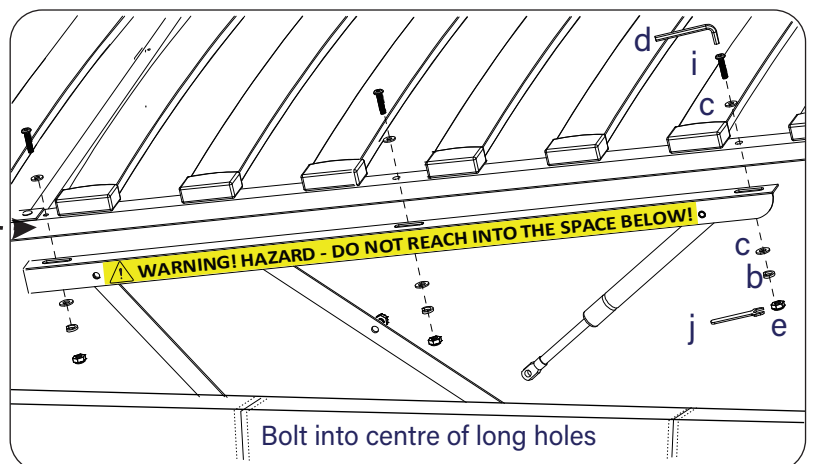


ii) Hold the bars forward



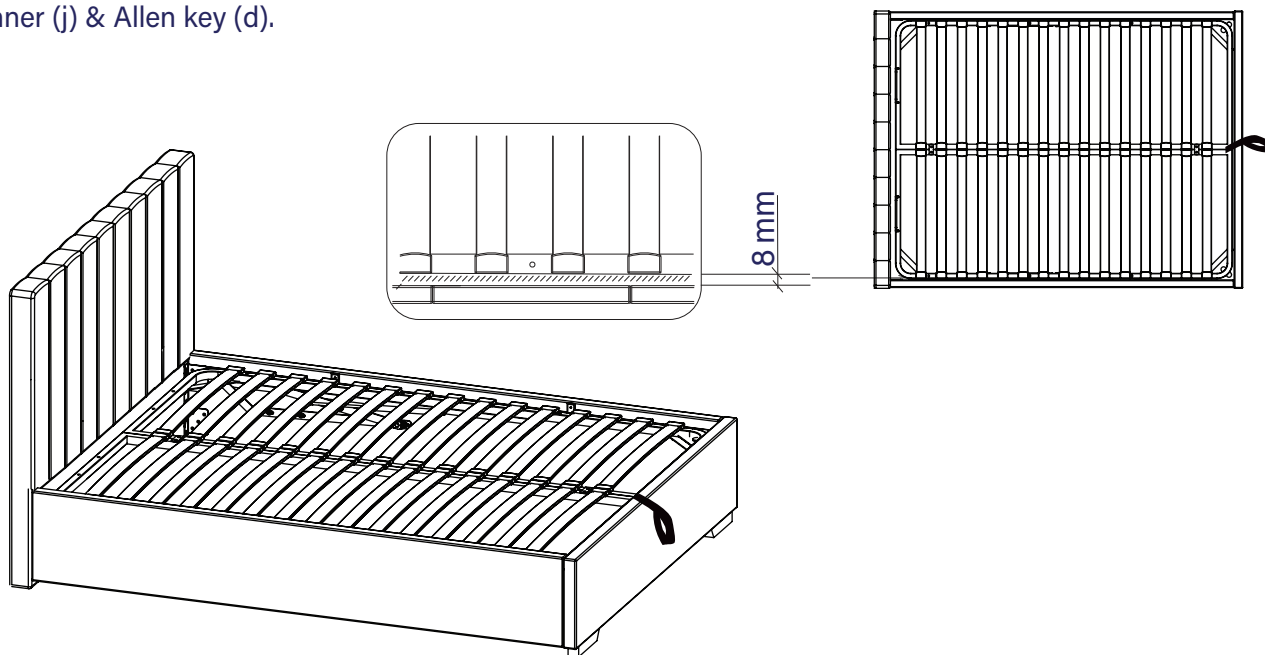
iii) With help from an assistant lift the slat frame onto the support bars aligning first set of holes on the slat frame with first set of holes in the support bars (nearest to headboard).

iv) Using three bolt sets on each side (i, c, c, b & e), fix slat frame to the support bars but do not tighten fully yet.

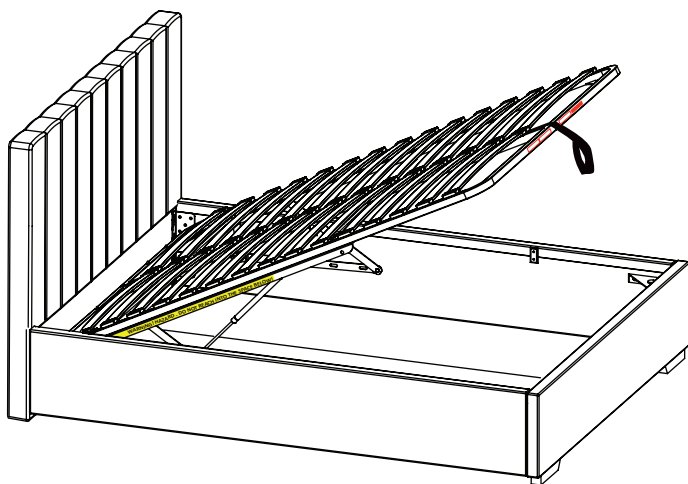


v) Carefully lay the frame down making sure there is an even gap all round as in the sketch.

vi) Hold the frame securely then tighten all six bolt sets 100% using spanner (j) & Allen key (d).

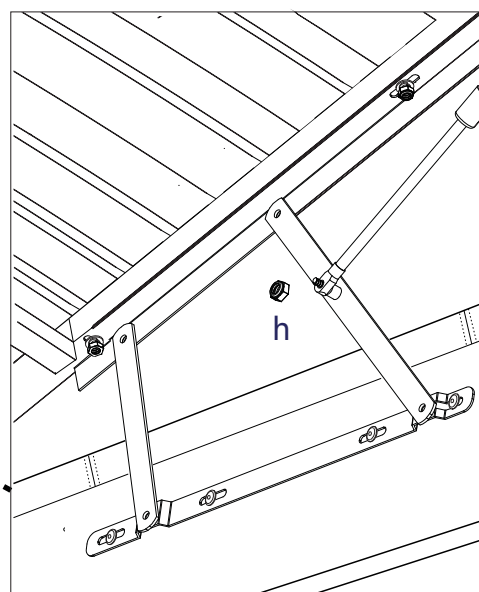


7 Fit the gas-lift pistons to the mechanisms.

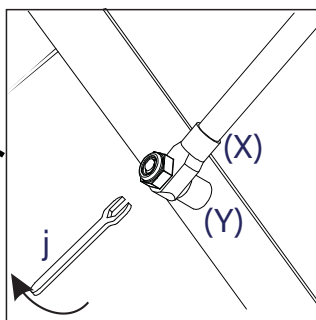
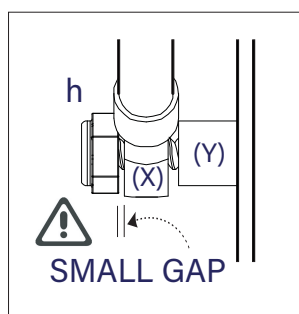


During this next step, the assistant should hold up the slat frame.

On the mechanism on each side rail slide each gas-lift piston stems (X) onto the axles (Y) then fit the flange lock-nuts (h).

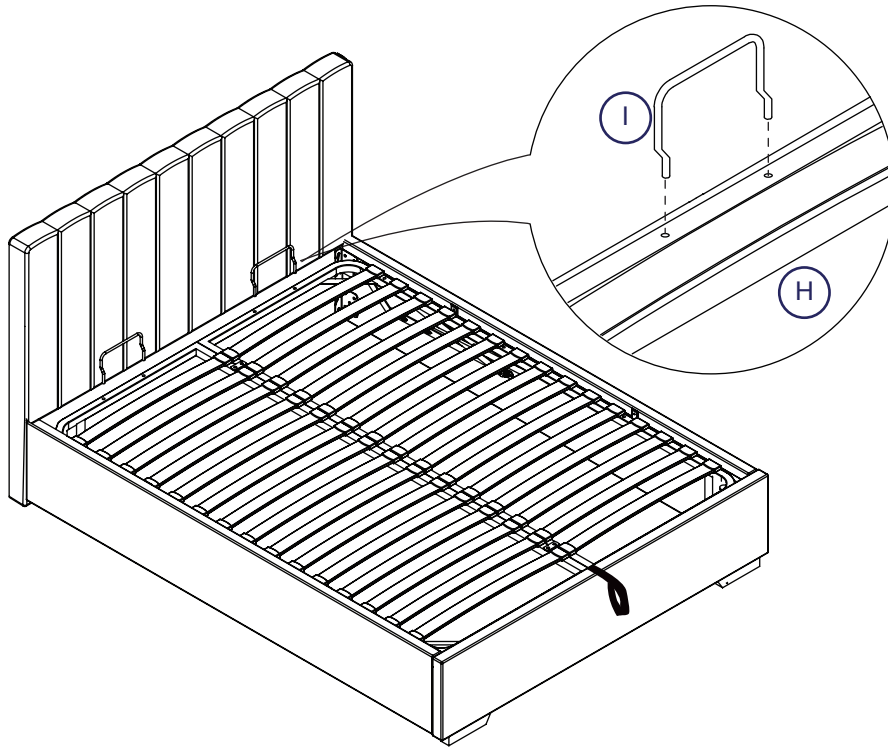


Tighten nuts with spanner (j) - but do not over-tighten. A small gap is needed so stems can move freely - this is important - see sketch below.

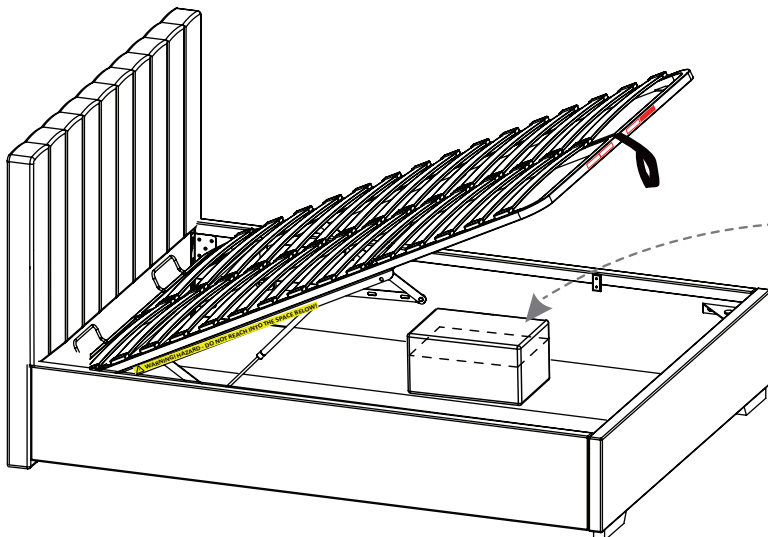


8 Fit the accessories.

Push x2 mattress stoppers (I) into the slat frame, they should go all the way through the upper & lower metal sections.



9 Storage warnings.



Note: Be very careful what you store under the bed - the top of an item, like a suitcase or a box must not touch the slats or they may be damaged. Maximum storage height is 270mm.

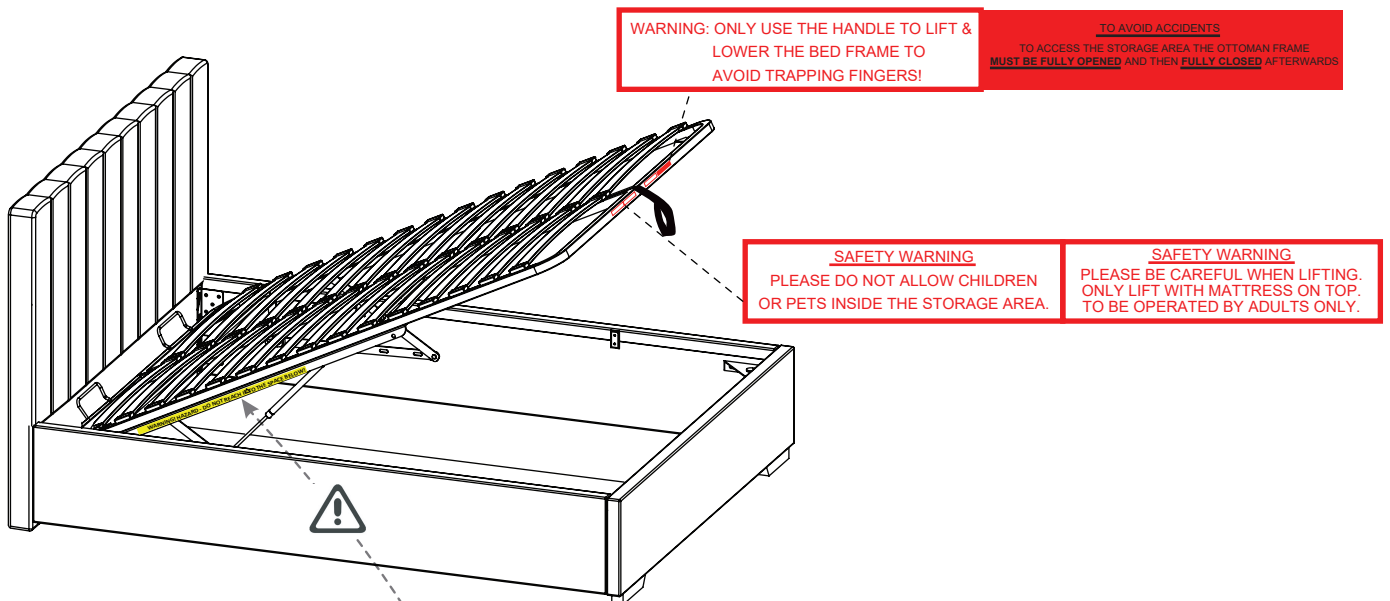
Warning

- You must ensure that the mattress is on the bed frame before operating the lift mechanism – Failure to do so could result in injury.
- Keep hands clear of the mechanism when opening or closing the ottoman.
- Beware of entrapment – Never reach in through the mechanism to access the storage area.
- Always ensure that the ottoman is FULLY opened before accessing the storage area.
- Do not exceed the maximum weight as specified in the table below:

Bed	Bed Size	Min Weight (kg)	Max Weight (kg)
OWEN	Double	20	50
	King	20	50



- Use caution when operating, always use the handle when lifting.
- Note: This bed uses a pressurised mechanism.
- To be operated by adults only
- Please ensure that children and pets are kept away from the bed when operating the lift mechanism.
- Keep children and pets away from the storage area.
- Do not overload the internal storage base.
- Do not stand inside the internal storage area of the bed.
- Before removing the mattress secure the frame to ensure it does not open unexpectedly.
- Do not attempt to lie on the mattress when the ottoman is in the raised position.
- When lifting the ottoman remove all bedding except the fitted sheet.



! WARNING! HAZARD - DO NOT REACH INTO THE SPACE BELOW!

Technical Specifications

Overall Dimensions (LWH mm)

Double: 2090 x 1480 x 1105

King: 2190 x 1630 x 1105

Internal Dimensions (LWH mm)

Double: 1950 x 1380 x 270

King: 2050 x 1530 x 270

Distance between slats (mm)

Double & King: 70

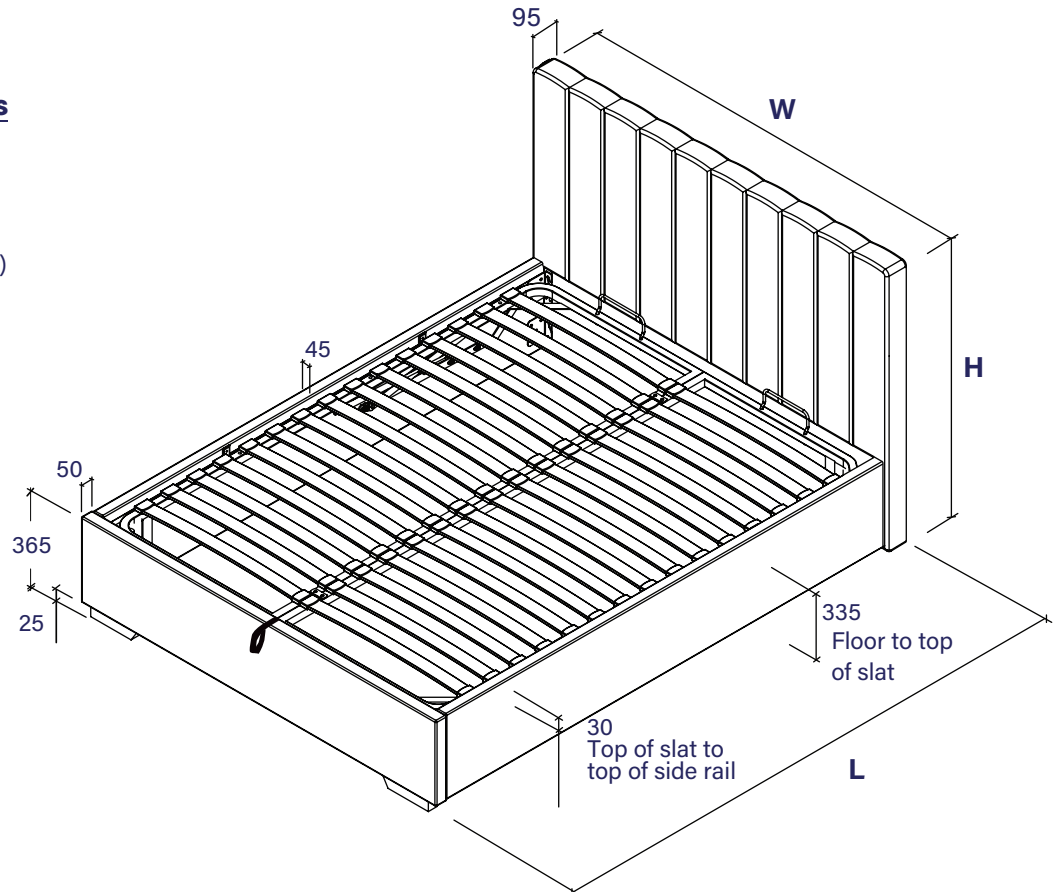
Ottoman Piston Rating

Double & King: 900 N

Slat Dimensions (LWH mm)

Double: 670 x 53 x 9

King: 745 x 53 x 9



Care and maintenance

Here are some tips to keep your new bed in tip-top condition



Cleaning

To clean your new bed, we'd advise using a warm damp cloth or if fabric, remove dust using a low suction vacuum cleaner.

Please do not use abrasive chemicals or bleach as this may damage the product.



Checking and moving

Periodically we recommend you check that the screws or fixtures haven't become loose over time. To move your new bed, we recommend lifting it where possible, as dragging or pushing it could cause damage to the legs or flooring.



Wood

Please note each of our wooden pieces are unique, meaning that markings and shade can vary slightly between beds. Over a period of time, the wood might lighten or fade slightly due to light exposure.



Fabric

Please note depending on the lighting, positioning and surroundings of your room, the shade of the colour can sometimes appear slightly different. Over a period of time, the colour might lighten or fade slightly due to light exposure.



Metal

Metal tends to be more resilient to everyday wear and tear. We recommend to gently dust your metal furniture and keep it dry to maintain its look.

Thank you for shopping with us - we hope you have a great night's sleep.

Sleep well



Little dreamers

Keep the little ones entertained while you assemble your new purchase.



Dreams

