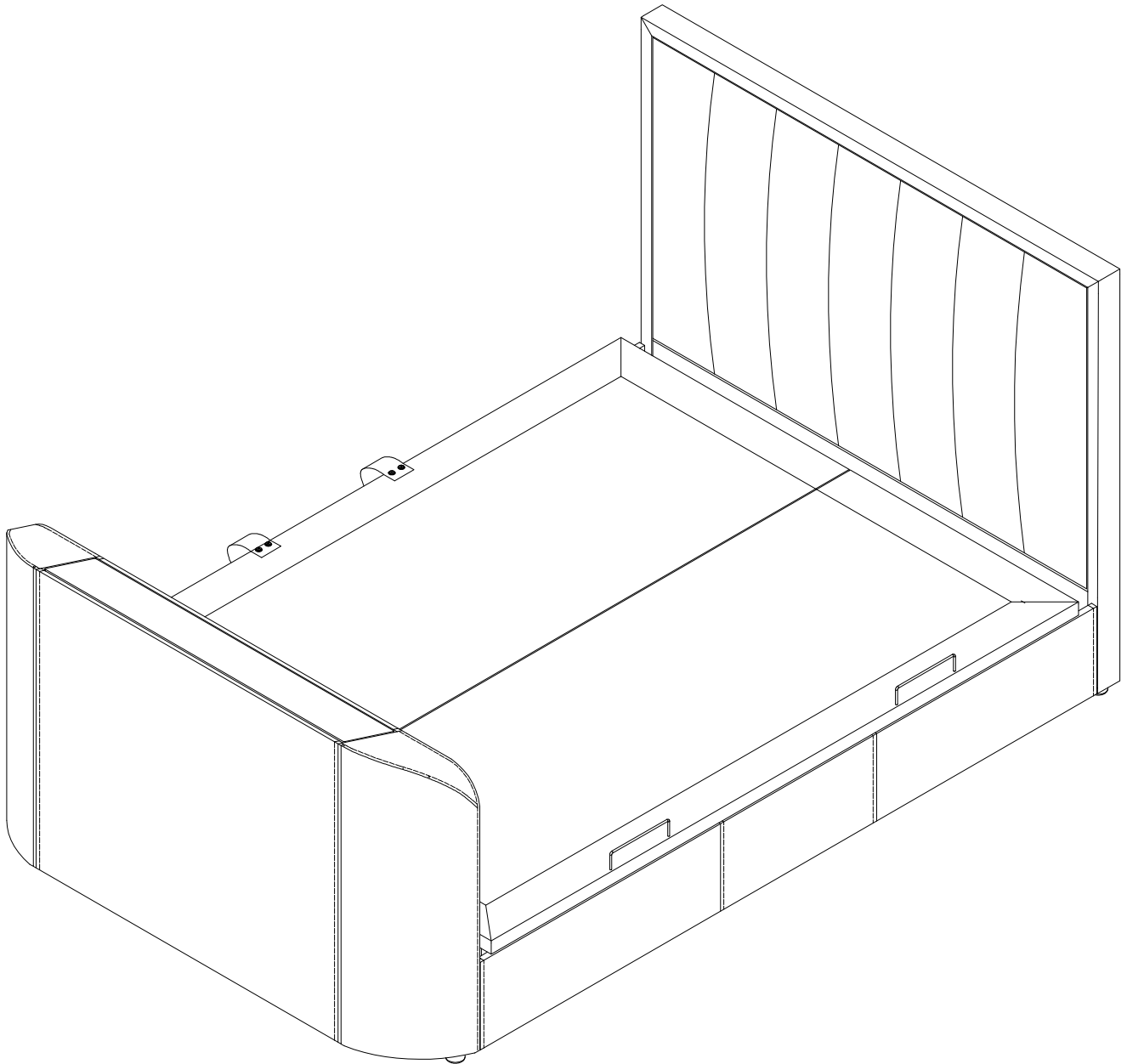


Osaka Ottoman TV Bed



1 hour approx
assembly time



Two person
assembly

Dreams

IMPORTANT OTTOMAN SAFETY WARNINGS

- **IMPORTANT-READ CAREFULLY-RETAIN FOR FUTURE REFERENCE**
- You must ensure that the mattress is on the bed frame before operating the lift mechanism-Failure to do so could result in injury.



- Keep hands clear of the mechanism when opening or closing the ottoman.
- Beware of entrapment - Never reach in through the mechanism to access the storage area.
- Always ensure that the ottoman is FULLY opened before accessing the storage area.
- Do not exceed the maximum weight as specified in the table below :

Bed Size	Min Weight (kg)	Max Weight (kg) (Recommended)
Double	25	50
King	25	60
Super King	35	65

- Use caution when operating, always use the handle when lifting.
- Ottoman Support Bar - Always engage the support bar when accessing the storage area.
- Note: This bed uses a pressurised mechanism.
- To be operated by adults only.
- Please ensure that children and pets are kept away from the bed when operating the lift mechanism.
- Keep children and pets away from the storage area.
- Do not overload the internal storage base.
- Do not stand inside the internal storage area of the bed.
- Please lift open the mattress base before removing the mattress to prevent the base opening unexpectedly.
- Do not attempt to lie on the mattress when the ottoman is in the raised position.
- When lifting the ottoman remove all bedding except the fitted sheet.

Thank you

Hello, thanks for choosing to purchase your bed from Dreams - you're now on your way to your best ever night's sleep. Before you begin building your bed, please take a moment to read through the instructions and make sure that you've got all the relevant parts listed on the following pages.



Assembly tips

Before you begin, it's best to identify all parts and fittings to build your bed. We advise laying these out on the floor to check you have everything, and familiarising yourself before building.



Top tip

We recommend that you build your new bed in the room you'd like it to be located - this will help prevent any risk of damage to your newly built bed whilst moving it.



Safety and care

It's really important to ensure children and animals are kept away from the assembly area, as there are small components used in this bed which could present a choking hazard. All plastic and wrapping materials should also be kept away from children and animals to prevent any risk of suffocation. To keep your little ones busy, there is a colouring page inside the back cover.



Help and support

At Dreams, it's our mission to give the whole nation a great night's sleep - this means that the quality of our products is of utmost importance to us. If there are any issues with your product or any missing parts, please visit our website at www.dreams.co.uk/help



Recycling

Please ensure that packaging is disposed of in a safe and environmentally friendly way, and recycle where possible. Please keep your assembly instructions safe to refer back to in the future.

Important Information

- We suggest you spend a short time reading through this leaflet and then follow the simple step-by-step instructions.
- Carefully check that you have all the parts before beginning assembly.
- Keep fittings out of children's reach and keep children well away from construction area.
- We suggest you retain these instructions for future reference.

Product Information

- TV bed.
- Upholstered Bed. Conforms to BS EN 1725 & BS 5852.
- TV Lift system has a maximum load capacity of 80lbs (37kg)
- Compatible with slimline LED televisions with a screen size of 20" to 42".
- Can accommodate some TV's up to 43", however the TV size must be within the maximum T.V dimensions.
- Maximum T.V dimensions D75mm x W970mm x H580mm (WITHOUT STAND)

Care Instructions

- Avoid exposing the furniture to excessive heat or direct sunlight as this can cause cracking and deterioration of the color.
- Periodically check & re-tighten any fastener.
- Periodically dust lightly with a clean soft cloth.
- Do not use silicone based furniture polish.
- Any spills should be removed immediately with a soft damp cloth.
- Never store damp items of clothing, textiles or products in the ottoman storage area.
- Ensure that a routine airing of ottoman storage area is carried out (seasonally).
- Do not over fill the ottoman storage area.
- **TAKE CARE WHEN MOVING THE FURNITURE AND NEVER DRAG THE PIECES ACROSS THE FLOOR, AS THIS WILL CAUSE DAMAGE TO THE JOINTS.**

Care Instructions for Velvet Fabric

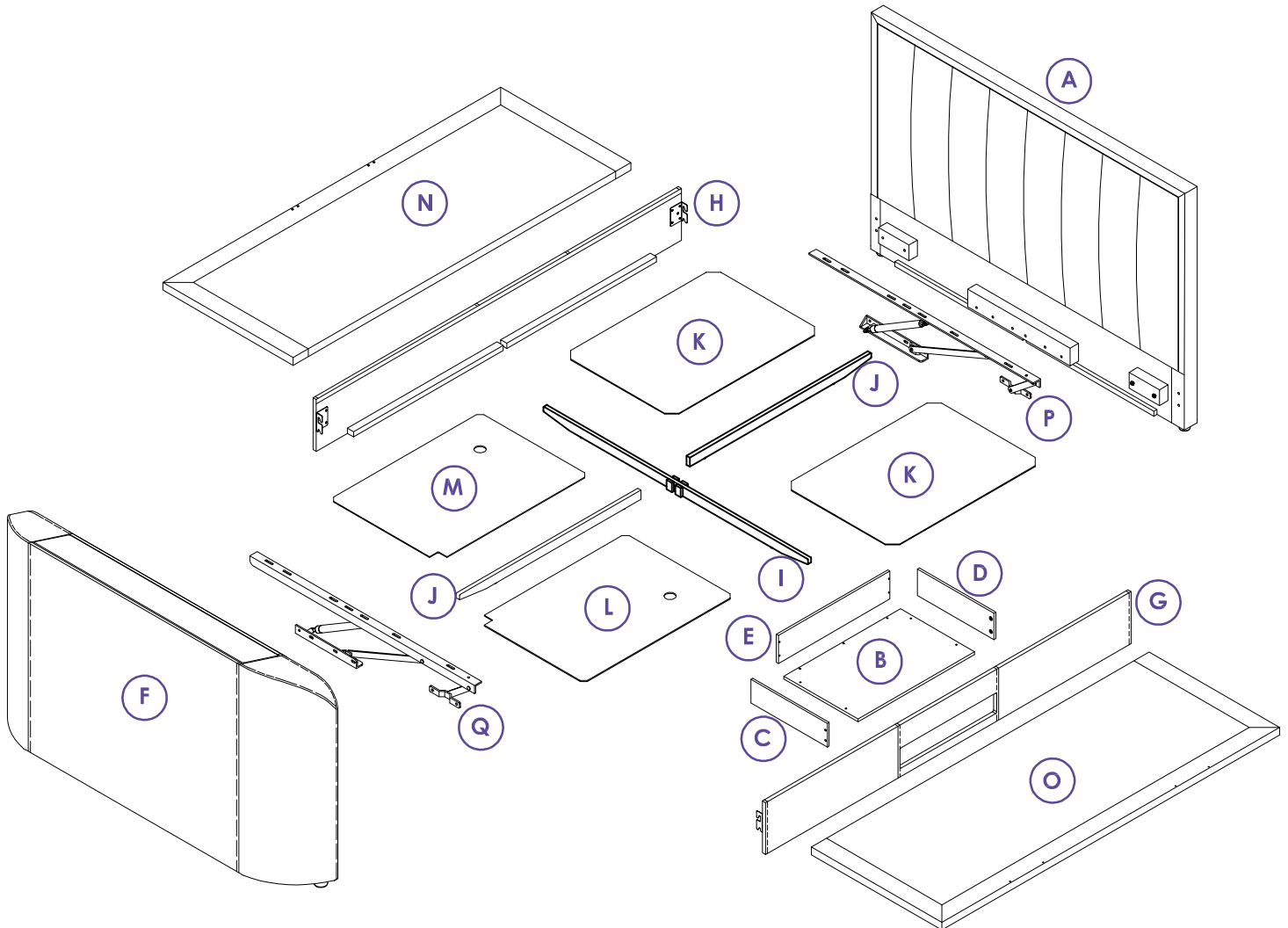
- If liquid has spilled onto the velvet, soak it up with a paper towel or cloth. Make sure there is no food or debris left on the material. Combine a small amount of dish soap and water in a bucket, mixing it until it become soapy. Soak the cloth in the soapy water and apply it gently to the stain. Use the soapy cloth to blot the stain until it disappears. It is important for the velvet fabric to dry quickly. Use a hair dryer luke warm to accelerate the drying process.
- Carefully apply the upholstery cleaner to velvet with soft sponge, leaving the velvet's pile undisturbed. After it is clean, be sure to vacuum and brush the velvet follow the grain always.
- A steam cleaner is perfect for removing stains, dirt and debris, disinfecting the velvet fabric, without leaving any damage to it. If you have it, apply it on your velvet upholstery for cleaning it with better results.
- If you have concerns regarding liquid/stain removal on your product, please consult a professional cleaning company.

Whereas every effort has been made to allow this product to utilise the maximum number of TV's available it is not possible to accommodate every product in an ever changing market. It is the responsibility of the customer to ensure suitability of the TV to the TV bed before attempting operation. It is the customers responsibility to ensure all wiring is correctly placed in accordance with both the TV and TV bed manufacturer.

Parts

Important information

Once you have identified you have all of the relevant parts and fittings, please follow the instructions for your chosen daybed below;

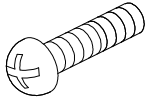


Parts list

A.	Headboard	<input type="checkbox"/>	J.	Bottom Cross Rail (Short)	<input type="checkbox"/>
B.	DVD/Media Compartment Top Panel	<input type="checkbox"/>	K.	Base Panel-1	<input type="checkbox"/>
C.	DVD/Media Compartment Side Panel (L)	<input type="checkbox"/>	L.	Base Panel-2	<input type="checkbox"/>
D.	DVD/Media Compartment Side Panel (R)	<input type="checkbox"/>	M.	Base Panel-3	<input type="checkbox"/>
E.	DVD/Media Compartment Rear Panel	<input type="checkbox"/>	N.	Lift Base-1	<input type="checkbox"/>
F.	Footboard	<input type="checkbox"/>	O.	Lift Base-2	<input type="checkbox"/>
G.	Side Rail-1	<input type="checkbox"/>	P.	Lift Up Mechanism-1	<input type="checkbox"/>
H.	Side Rail-2	<input type="checkbox"/>	H.	Lift Up Mechanism-2	<input type="checkbox"/>
I.	Bottom Cross Rail (Long)	<input type="checkbox"/>			

Fittings

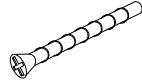
Please check you have all the parts listed below with your product:



(R) M8 x 25
x 20 pcs
(Pre-Installed)



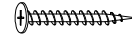
(S) M8 x 18
x 12 pcs
(Pre-Installed)



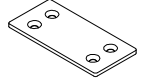
(T) M5 x 35
x 11 pcs



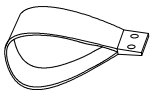
(U) M8 x 16
x 4 pcs



(V) #8 x 1-1/4"
x 16 pcs



(W) 3 x 40 x 86mm
x 4 pcs



(X) Strap Handle
x 2 pcs



(Y) M8 x 13mm
x 4 pcs



(Z) Gas Spring
x 2 pcs

* DOUBLE 650N
* KING 800N
* SUPER KING 1100N



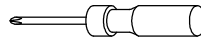
(AA) M6 x 20mm
x 7 pcs
x 12 pcs (Pre-Installed)



(AB) M6 x 16mm
x 4 pcs
x 12 pcs (Pre-Installed)



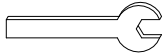
(AC) Ø5 x 80 x 200mm
x 2 pcs



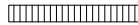
(AD) Screwdriver
x 1 pc



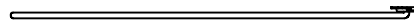
(AE) Allen Key (M4)
x 1 pc



(AF) Spanner
x 1 pc



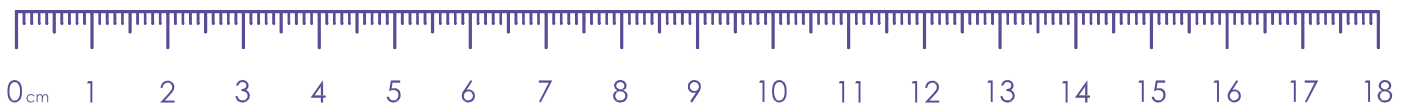
(AG) Stud Bolt M6 x 40mm
x 2 pcs



(AH) Ottoman Support Bar
x 1 pc



(AI) Plastic Hook
x 1 pc



Tools required

Please check you have all these below:



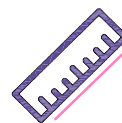
Flathead
screwdriver



Scissors



Spanner



Tape measure



Cross head
screwdriver

Tips before you start!

1. Please check that all parts are present before you start the assembly of your furniture.
2. For ease and speed of assembly, we recommend that before you commence each step of the assembly, that you identify all the parts required for that step.
3. For larger items, please ensure that you have sufficient space and people (as indicated on page 1) to assemble your product safely. (Minimum Two Persons)
4. We recommend where possible, all items are assembled near to the area where they will be placed in use, to avoid moving the product unnecessarily once assembled.
5. Please ensure that your bed is placed on a level floor area. (Avoid setting up and installing your bed on uneven floor surface.)
6. For the protection of your furniture, we recommend that the product is placed on a protected surface during assembly to prevent any damage.
7. During assembly please take care not to over-tighten any fittings, as this may damage the product.

Care and Maintenance of your Furniture

- Please do not jump on your furniture.
 - Never allow any kind of liquid to remain on your furniture. This can cause finishes to de-laminate. Take care when spraying Perfume and deodorants etc as the vapour can settle on the fabric surface and cause damage.
 - The bed should always be lifted into position if moved for cleaning.
- A. This Lift Mechanism provides assistance with the lift of the mattress fitted to the base - it does not lift the mattress for you. The system has been designed to effectively lift the base system fitted with a variety of mattress weights and combinations of depth. The combination of mattress weight and depth determines the degree of assistance provided by the mechanism.
- B. Following installation of the mechanism lift / pull the base up and down a few times to free off the system - the gas cylinders fitted to the system may be stiff when first used or if the system has not been operated for a period of time. The mattress must be fitted to the base.
- C. Use the strap handle to lift up the mattress base using two hands - Pull the mattress base down using two hands equally spaced from the centre of the mattress base. **DO NOT** pull down on one side of the base only as this is likely to damage the base system with potential failure of the mattress base system and lift mechanism. Do not operate the lift up mechanism without the mattress fitted to the base.

CAUTION :

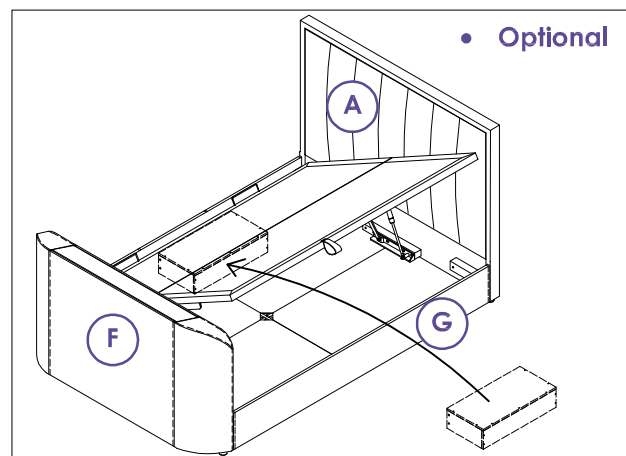
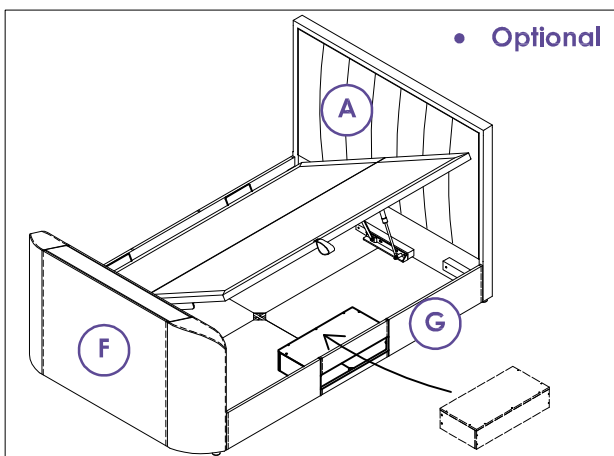
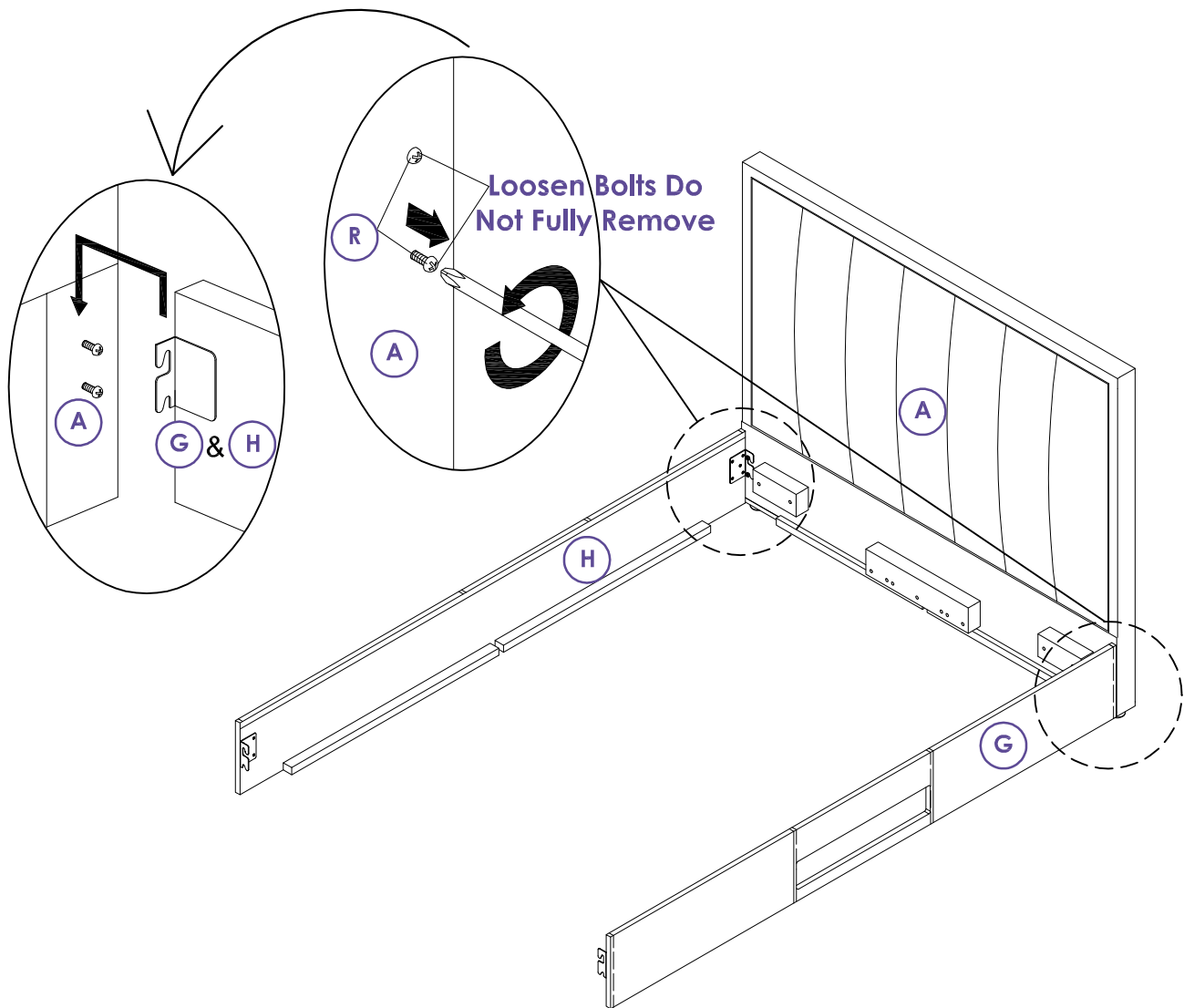
- Do not allow children to operate the lift Mechanism.**
- Do not allow children near the lift base when operating the Mechanism.**
- Do not allow children in the area of the internal storage base.**
- Keep hands clear of the mechanism when operating the base system.**
- Do not stand inside the bed / on the internal storage base.**
- Do not overload the internal storage base.**

**DO NOT USE ANY POWER TOOLS AS THIS MAY DAMAGE THE FRAME AND WILL
INVALIDATE ANY CLAIM**

Side Rail Assembly

1

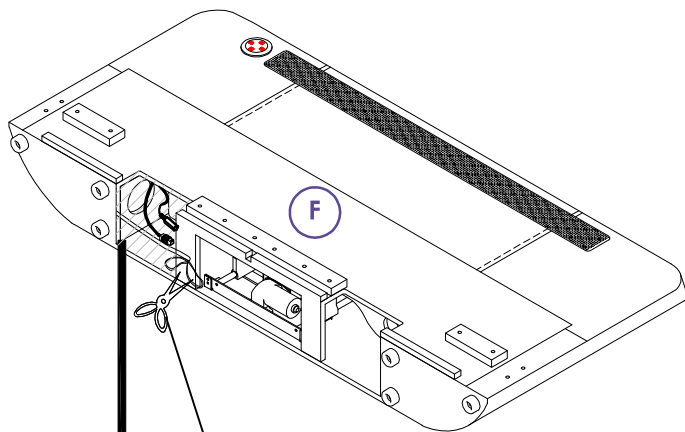
- Before assembly please decide which side you require the "DVD / Media Compartment" Part 'G' side rail with opening will need to be placed at that side.
- Loosen the bolts located in the head end. (Note: only loosen the bolts Do NOT remove them.)
- Hook the side rail over the bolts as shown.
- Repeat the action on the opposite side.



Foot Board Hardware Box Remove

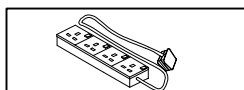
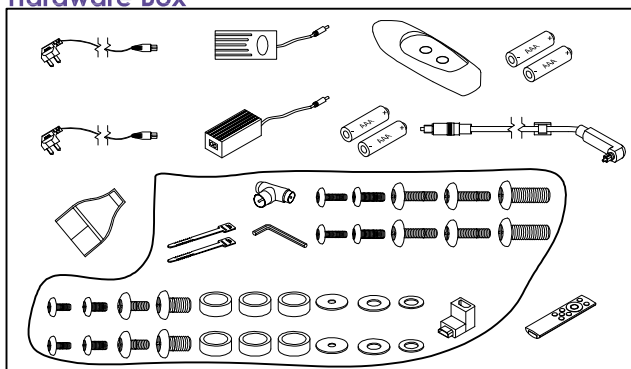
2

- Carefully remove the footboard from carton 2, remove the Hardware Box and all extra transportation packaging from inside.
- To do this you will need to gently lay the foot end on it's back. Before doing so please ensure the area is completely free of anything that may cause damage or press into the fabric. Place a protective cover on the floor to avoid possible damage.
- The controls and hardware are held in place by string please carefully cut these and remove.

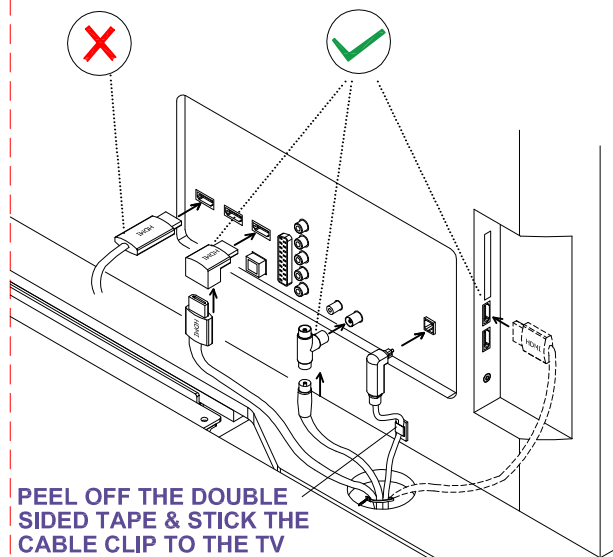


CAUTION:
PLEASE USE SCISSORS TO CUT THE STRING.
TAKE CARE WHEN REMOVING THE ACCESSORY BOXES NOT TO CATCH YOUR HANDS ON THE SIDES.

Hardware Box

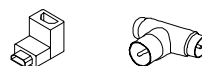


YOUR TELEVISION REAR VIEW HDMI CABLE PLUG POSITION POSSIBLE SCENARIO'S



Attention Please Note : Connecting Your HDMI or Aerial Cable as shown in diagram (X) can seriously Damage Your TV sockets.

To reduce this possibility we have supplied 90 degree adaptors for both HDMI and Aerial connections.



This will reduce the cable protrusion and lessen the possibility of the cable colliding with the bed frame. These can be found in the bed frame hardware pack located in Box 2 (foot end). Please refer to the diagram above for the correct fitting of cables. More detailed information can also be found on page 16 (step 12) of your assembly instructions.

The manufacturer or retailer will not accept responsibility for any damages arising from incorrect installation.

ATTENTION! PLEASE NOTE:

In the event you are experiencing any technical difficulties and you require additional assistance/support with your product 'Mechanical/ Electrical' function - Please contact:

SUPPORT EMAIL : support@bssbfurnitureinnovation.com

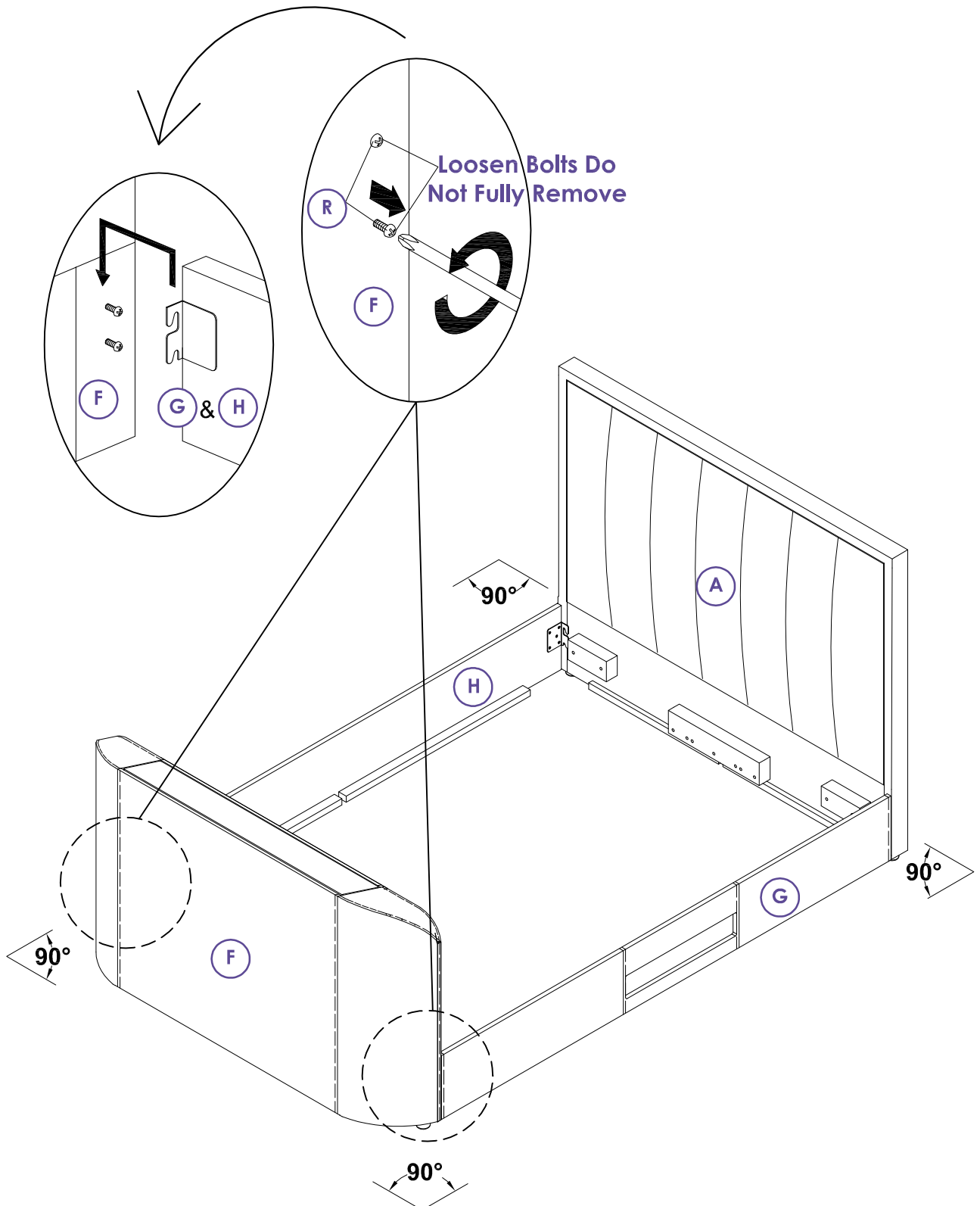
UK PRODUCT SUPPORT HOTLINE : 01462600064

Contact your retailer for all other issues such as damage, missing or faulty components (non electrical) or anything else of a non technical/electrical nature.

Foot Board Assembly

3

- Carefully lift the foot end back to its upright position.
- Loosen the bolts located in the foot end.
- Please note these should only be loosened and NOT removed.
- Hook the side rail brackets over the bolts on both sides.
- Make sure the four bedframe interior angles are at 90°.
- Fully tighten all screws on the head and foot ends.



Wireless Remote Control Batteries Installed

4

- Installing Batteries in the TV mechanism Wireless Remote Control.

Battery:

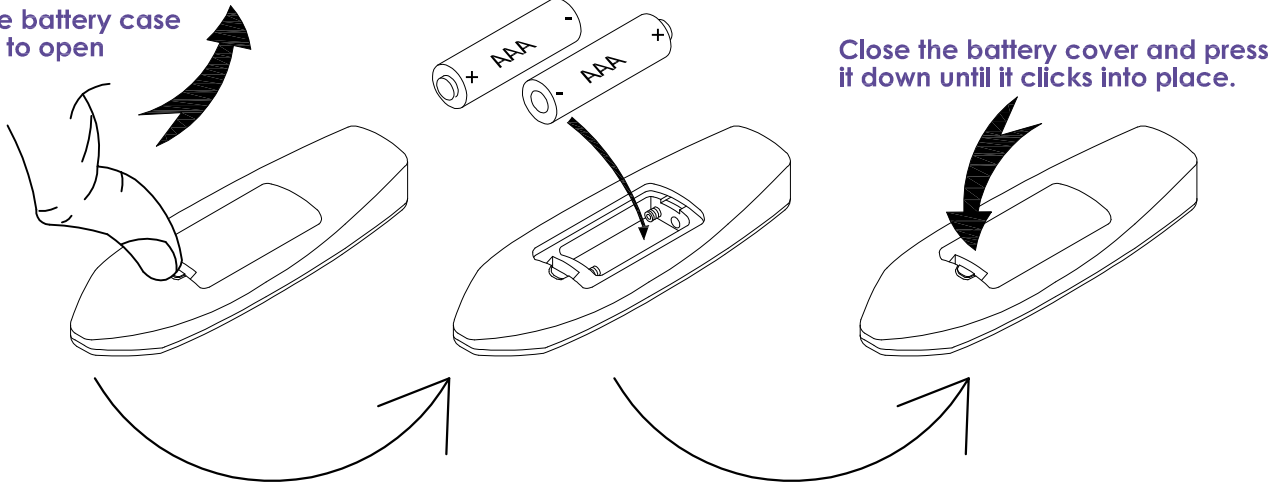
Size: AAA - Ø10.5 X T44.5mm

Spec.: 1.5V

(AAA) Batteries x 2pcs (provided) install to battery case.

Caution: May explode or leak if recharged, inserted improperly, mixed with different battery types. Do not open battery. Dispose of used batteries promptly. Keep away from children.

Pull out the battery case from here to open



5

- Installing Batteries in the Audio System Wireless Remote Control.

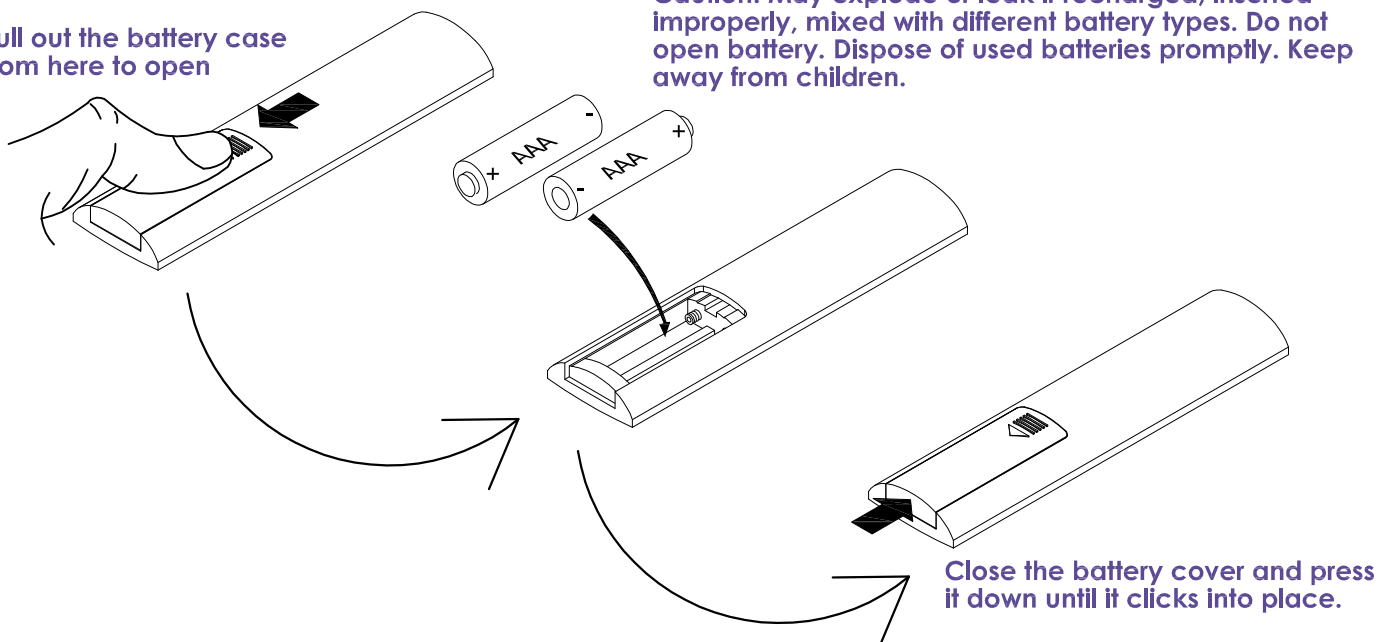
Battery:

Size: AAA - Ø10.5 X T44.5mm

Spec.: 1.5V

Caution: May explode or leak if recharged, inserted improperly, mixed with different battery types. Do not open battery. Dispose of used batteries promptly. Keep away from children.

Pull out the battery case from here to open



TV & Audio Adaptor Assembly

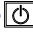

6

- Connecting the TV mechanism cable & Audio system cable as shown. It is essential that connecting to the power supply is done in this order. Failure to do so will result in damage to your product.

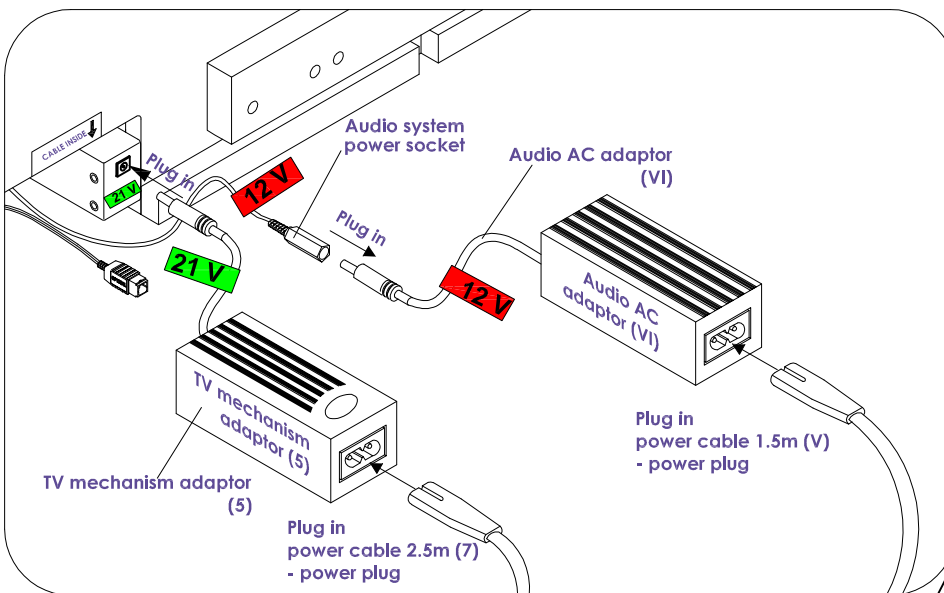
Step6-1(a) Connect the Power Cable (V) to the Audio system AC adaptor (VI), then plug the Audio AC adaptor power plug into the Audio system power socket, which is pre-installed in the footboard, as shown.

Step6-1(b) Connect the Power Cable (7) to the TV mechanism adaptor (5), then plug the TV mechanism adaptor power plug into the TV mechanism receiver, which is pre-installed in the footboard, as shown.

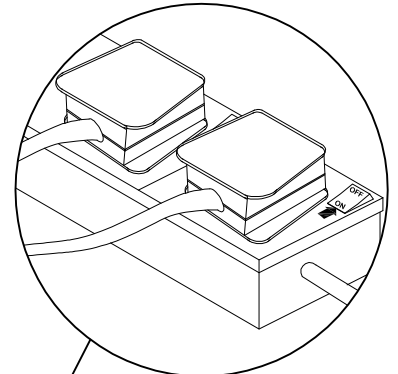
Step6-2 Connect the power cable (7) power plug & power cable (V) power plug into an 4 socket extension lead , then switch on.

Step6-3 Switch on the main power supply, the  red light will appear on the footboard Audio touchpad. (note: The audio touchpad  red standby light will automatic go out after 15sec) (This feature is in place to avoid light disturbance, when trying to sleep.)

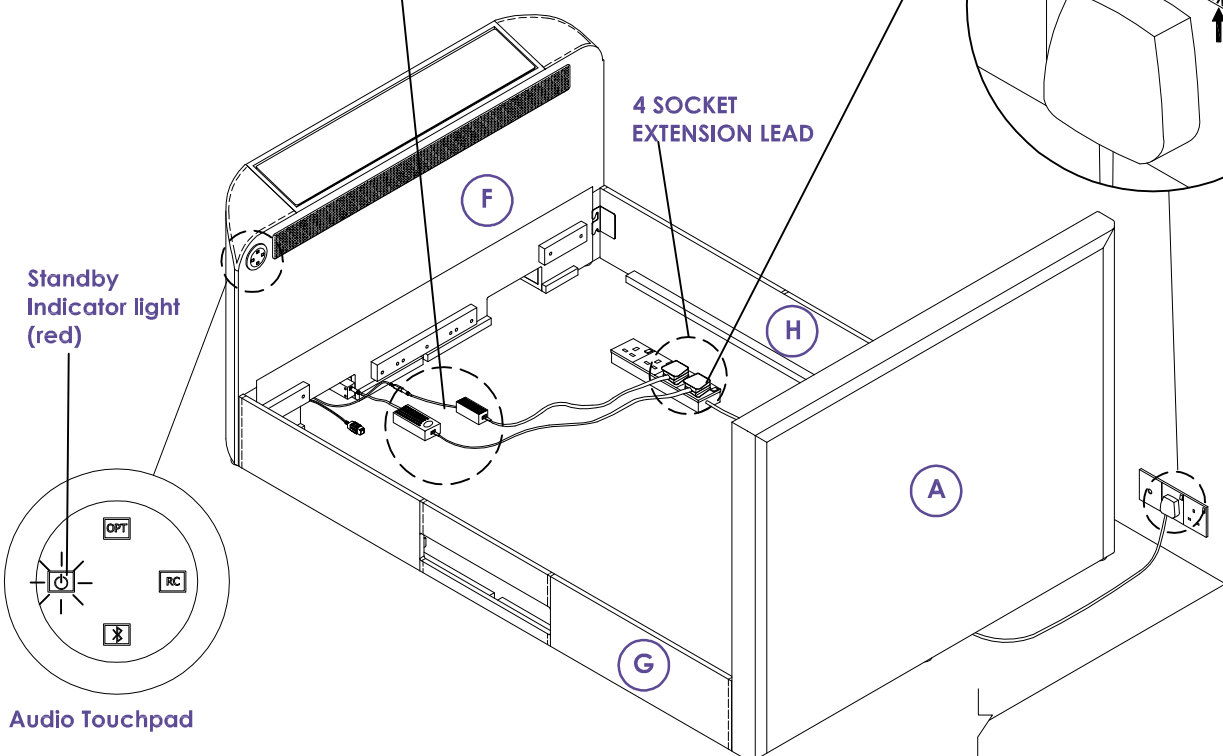
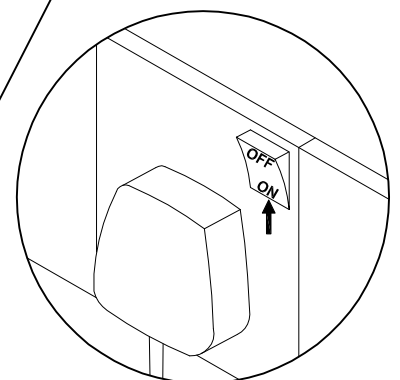
STEP 1



STEP 2



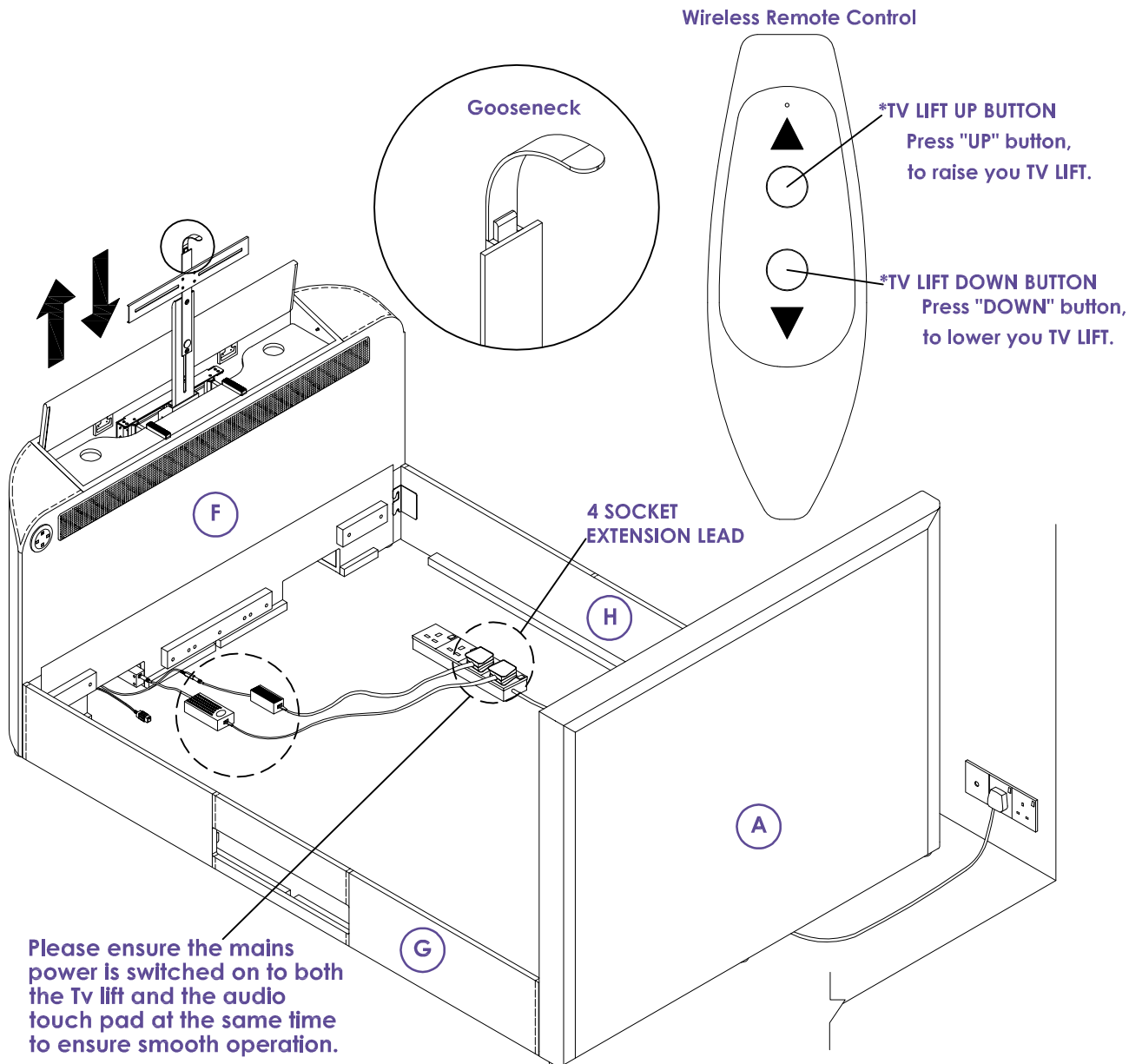
STEP 3



TV Mechanism Setup

7

- Press and release (one time press) "UP" button on the wireless remote control, which will then lift the TV mechanism up until the footboard TV lid opens to its full extent. Press and release the "DOWN" button on the wireless remote control to lower the TV mechanism.
- If the wireless remote control does not operate the TV lift mechanism, please follow the SYNCHRONIZED SETTING shown in below.



TV LIFT MECHANISM CONTROL BOX SYNCHRONIZATION

- The wireless 'Radio Frequency' Remote Control is designed to operate your TV lift Mechanism.
 - Ensure there are two working batteries fitted correctly inside the remote control.
- A) Ensure the power is switched "off" at the mains power supply.
 - B) Press and (continuously) hold the TV Lift "UP" button on the remote control.
 - C) While continuously pressing the "UP" Button, Power on the mains power supply socket. (Do not take you finger off the Remote Control TV Lift "UP" Button).
 - D) Only release the TV Lift Up Button Once the TV Lift starts to operate (Should not take any longer than 5 seconds).

Repeat if necessary.....

In the event the remote control is not synchronizing with the TV Lift Mechanism.
Please contact UK Support: 01462 600 064

TV Cable Connection Plan

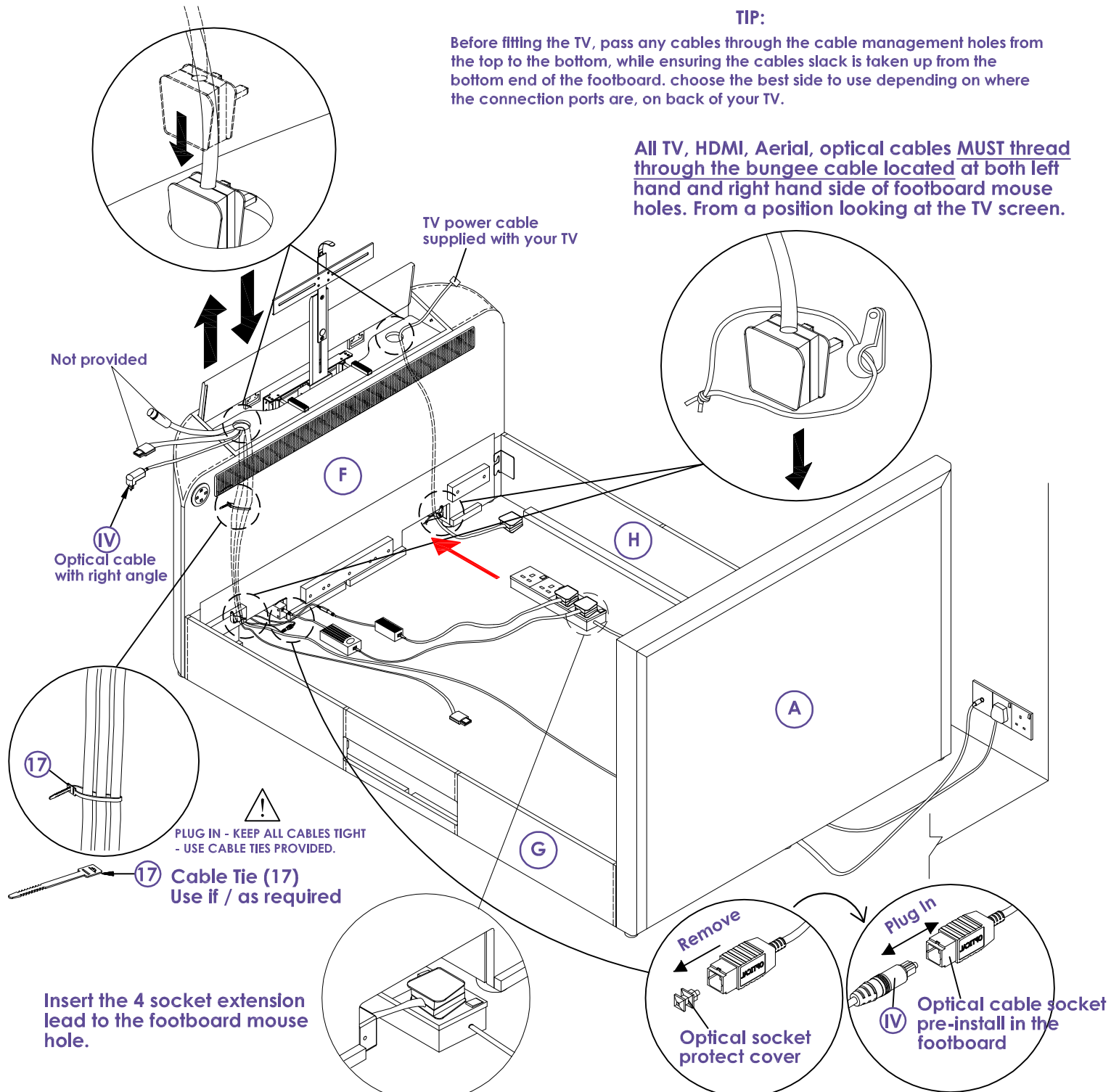
8

- TV cable connection plan. Make sure you have all the relevant cable connections required (HDMI cable, TV Aerial cable, TV power cable, Optical cable etc...) before you install the TV.
- The cable management holes are provided in the TV Tray to help you manage the cable's to keep them tidy and free from snags. Pass all cables cleanly through these holes. While ensuring any cable slack is taken up from the bottom end of the footboard.

TIP:

Before fitting the TV, pass any cables through the cable management holes from the top to the bottom, while ensuring the cables slack is taken up from the bottom end of the footboard. choose the best side to use depending on where the connection ports are, on back of your TV.

All TV, HDMI, Aerial, optical cables MUST thread through the bungee cable located at both left hand and right hand side of footboard mouse holes. From a position looking at the TV screen.



Insert the 4 socket extension lead to the footboard mouse hole.

⚠️
PLUG IN - KEEP ALL CABLES TIGHT
- USE CABLE TIES PROVIDED.

17 Cable Tie (17)
Use if / as required

Remove
Optical socket protect cover

Plug In
Optical cable socket pre-install in the footboard

Place all cables through the 'Cable Management' holes to prevent any damage to the cable when the TV Lift Mechanism is operating. Make sure all your the cables are long enough to let the TV Lift Mechanism move freely.

All the cables MUST be carefully pulled and fully extended.

Group the cables together as required below the TV Tray using cable tie(17) provided.

TV Tray Adjustment

9

- To adjust the TV tray to suit the height of your TV (without stand). Please follow step below

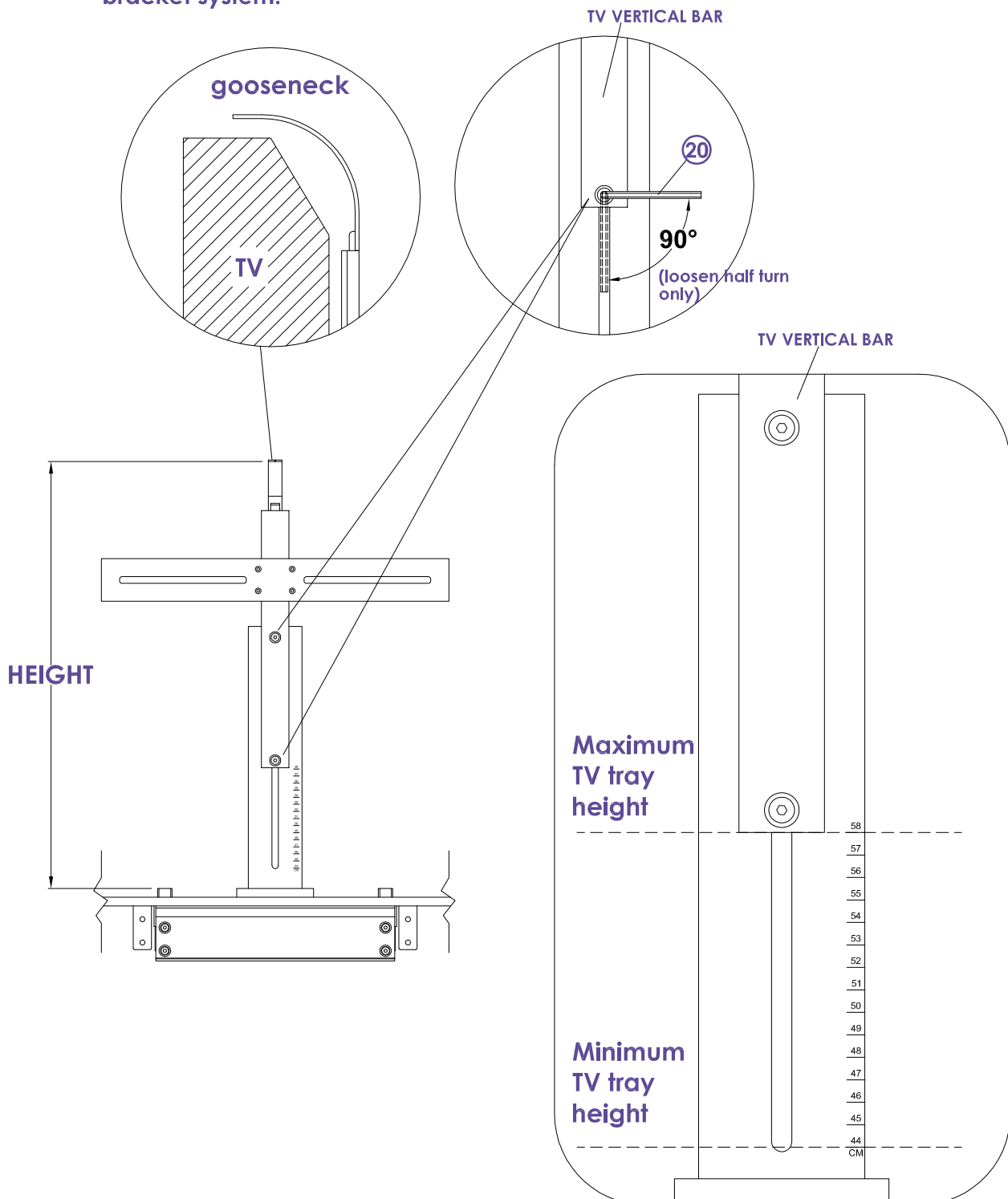
9.1 : Measure and make a note of the height (without stand!).

9.2 : Use the Allen key (20) to slightly loosen the up/down adjuster bolts-half turn only, do not remove all. (Please refer diagram below)

9.3 : Slide "the TV vertical bar up/down, while using the measure line matching the noted measurement height of your TV. Then fully tighten the bolts.

9.4 : When the TV is mounted it should sit neatly just beneath the lid opening Gooseneck.

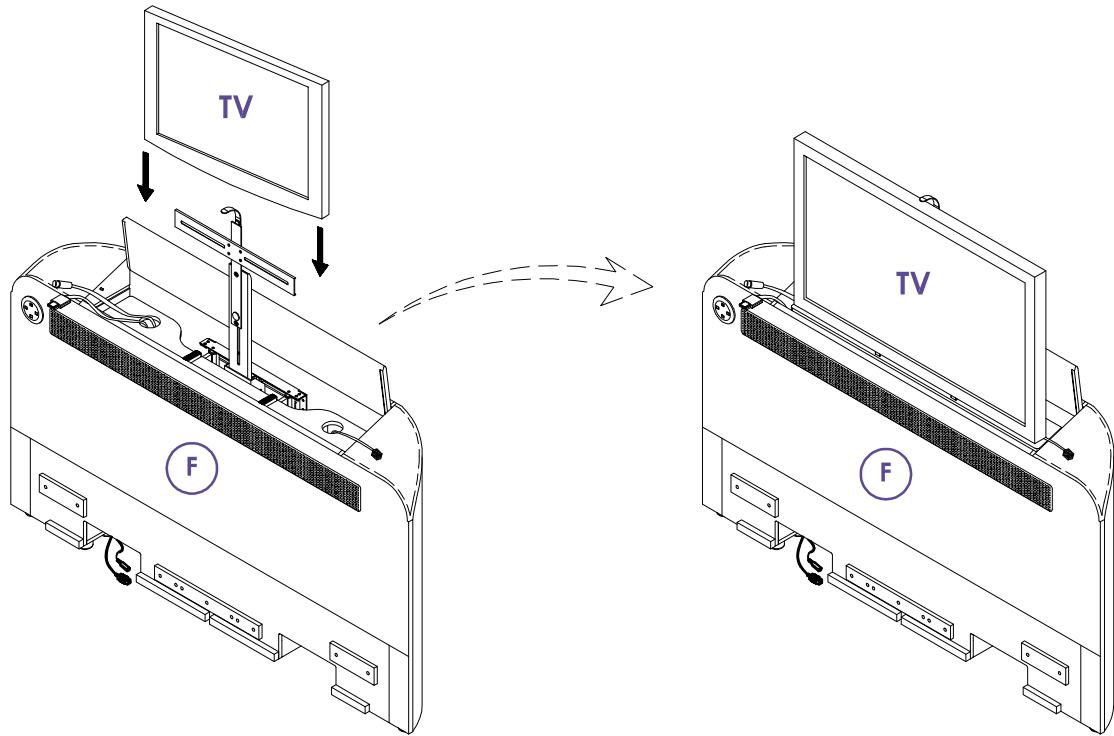
Note: TV's lower than the minimum height of 440mm, are not compatible with the TV mounting bracket system.



TV Install

10

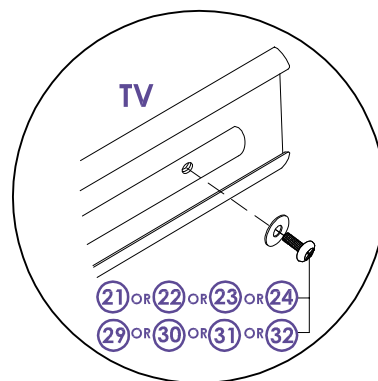
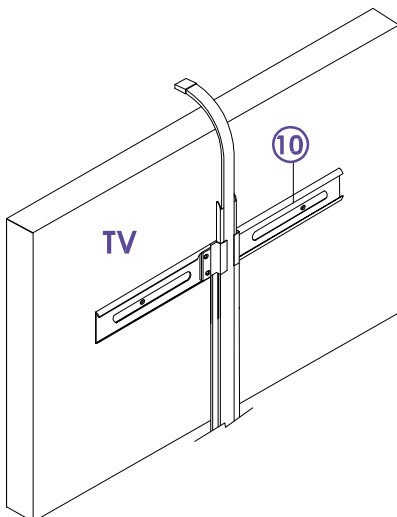
- You are now ready to install your TV.
- Raise the mechanism to it's highest position.
- While standing behind your television (on the outside end of the footboard). - 'Facing the headboard'
- Carefully place the TV on top of the two rubber TV mounting pedestals - ensuring the Gooseneck arm is perfectly inline with the 'centre' of the TV.



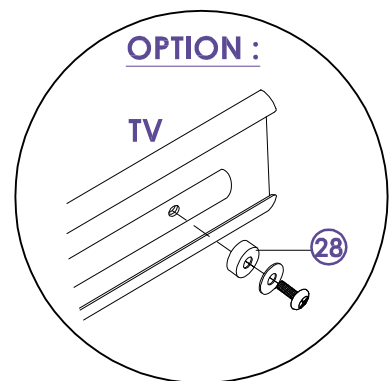
11

• TV Flat Bracket (vesa bracket).

Please note : Item (21), (22), (23), (24), (29), (30), (31) or (32) TV fixing screws are compatible with most TV models. However sizes may differ depending on the TV model. If smaller or larger size screws are required these should be sourced from your local hardware store or TV specialist. Washers may also be required. Your retailer may also supply alternative fixings depending on the TV model supplied at the time.



BOLT	(21)	(22)	(23)	(24)
BOLT	(29)	(30)	(31)	(32)
WITH				
WASHER	(25)	(25)	(26)	(27)

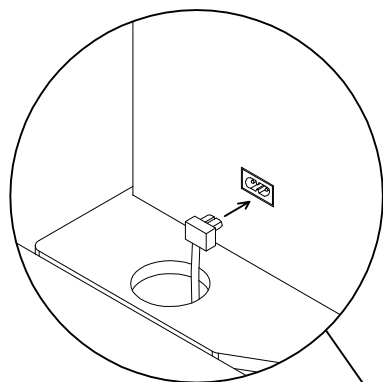


In the event you find the screws are too long for the TV with bracket please use Plastic collar (28) if required.

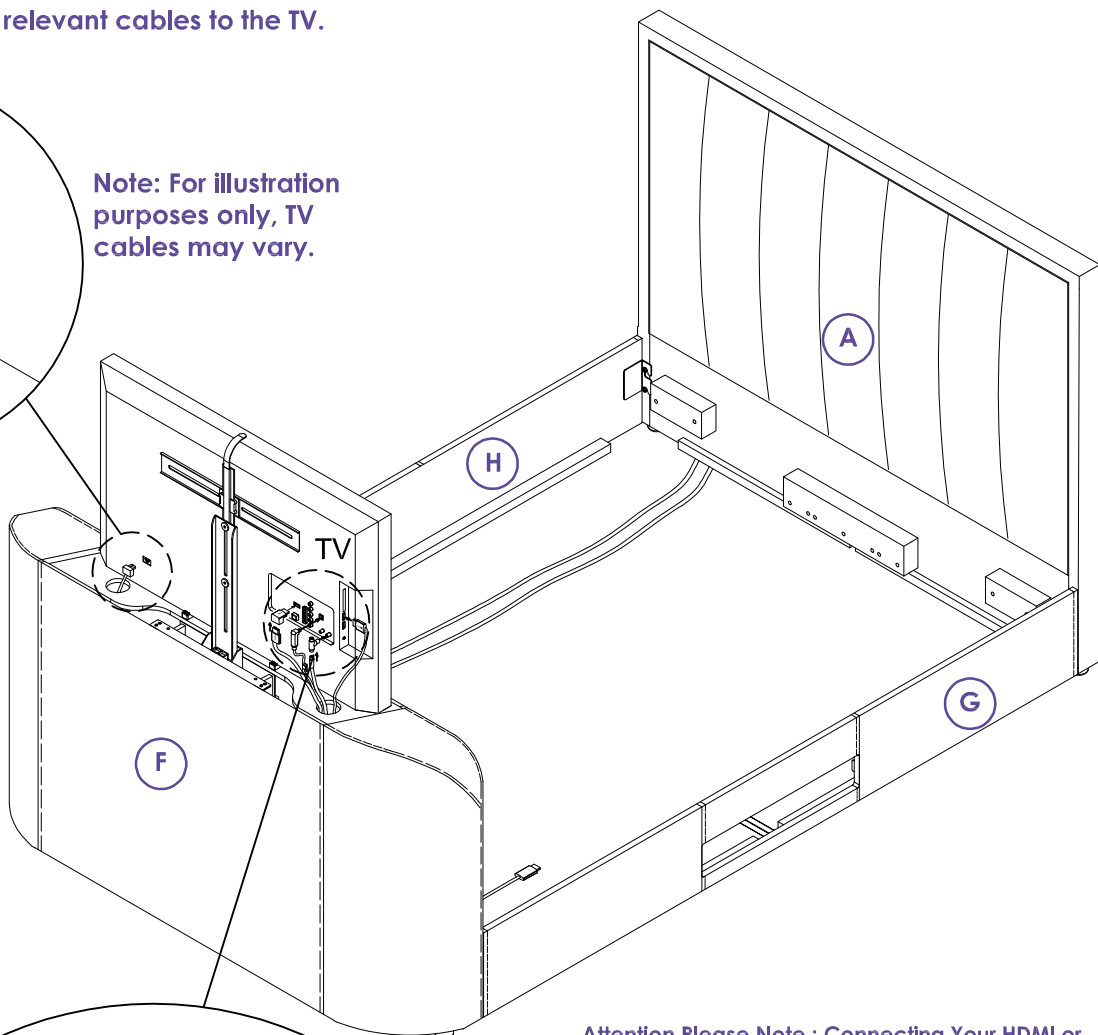
TV Cable Connection

12

- Connect all relevant cables to the TV.

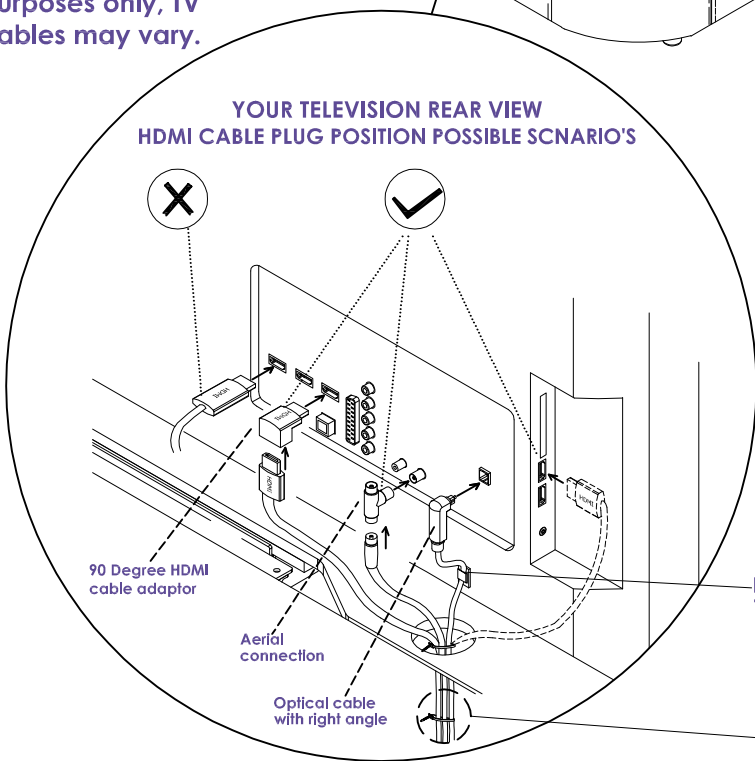


Note: For illustration purposes only, TV cables may vary.



Note: For illustration purposes only, TV cables may vary.

YOUR TELEVISION REAR VIEW HDMI CABLE PLUG POSITION POSSIBLE SCENARIO'S



Attention Please Note : Connecting Your HDMI or Aerial Cable as shown in diagram (X) can seriously Damage Your TV sockets.

To reduce this possibility, we have supplied 90 degree adaptors for both HDMI and Aerial connections.



This will reduce the cable protrusion and lessen the possibility of the cable colliding with the bed frame. These can be found in the bed frame hardware pack located in Box 2 (foot end). Please refer to the above diagram for the correct fitting of cables. More detailed information can also be found on above diagram of your assembly instructions.

The manufacturer or retailer will not accept responsibility for any damages arising from incorrect installation.

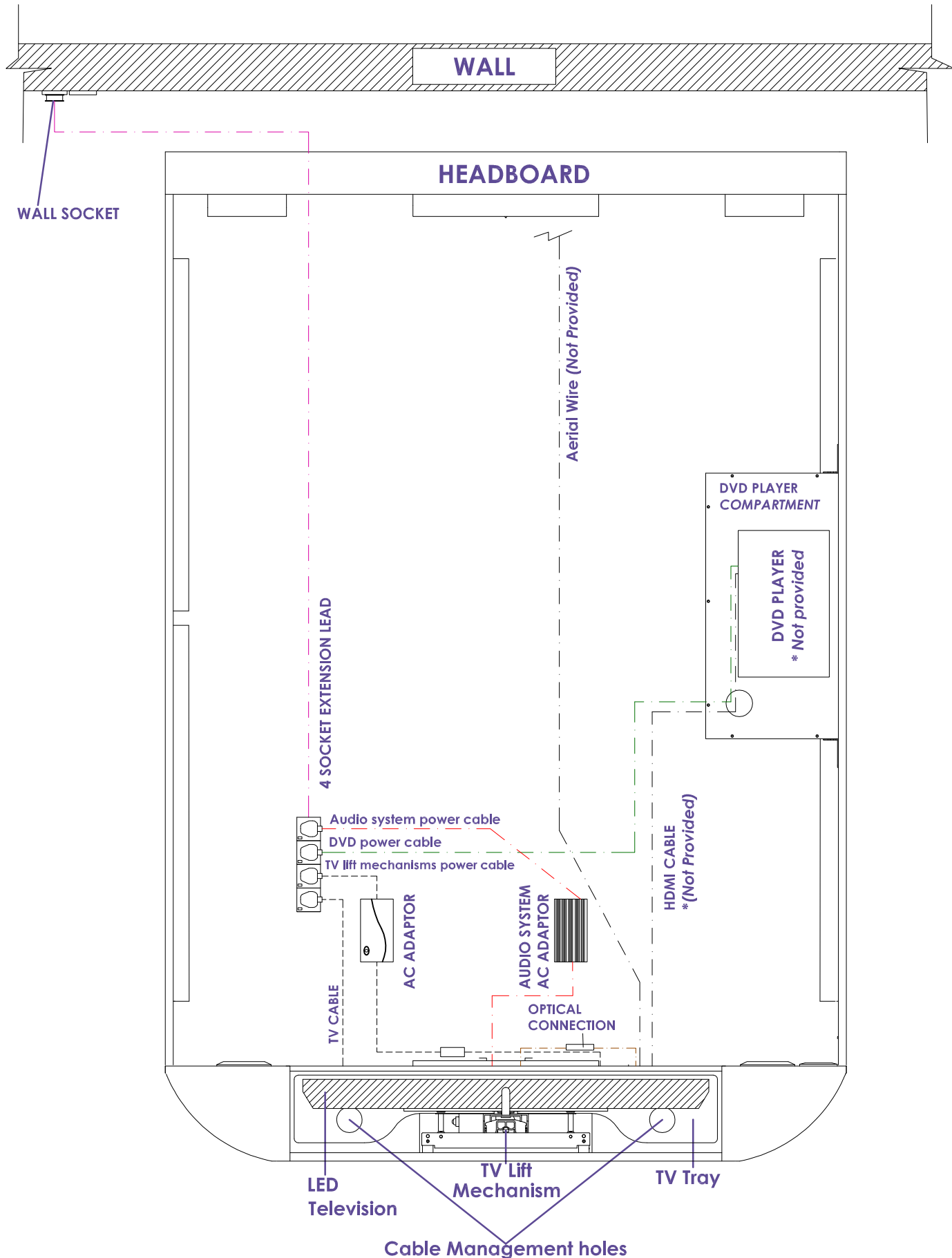
PEEL OFF THE DOUBLE SIDED TAPE & STICK THE CABLE CLIP TO THE TV

17 Cable Tie(17)
Use if / as required

NOTE: The cable ports for televisions, DVD, TV aerial, Optical etc may not be the same as shown above and may vary depending on TV models.

Detail Connection Plan

13

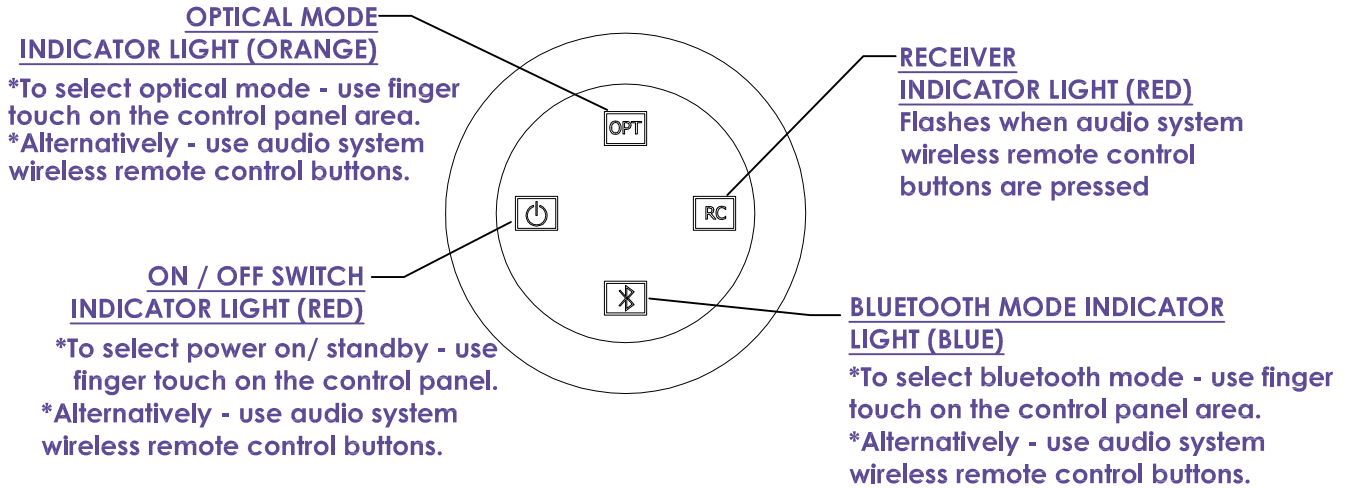


Note: Please ensure you thread the relevant TV connection cables through the provided holes in the TV Tray - please avoid crossing cables across the rear of the TV lift mechanism area.

Using the Touchpad

14

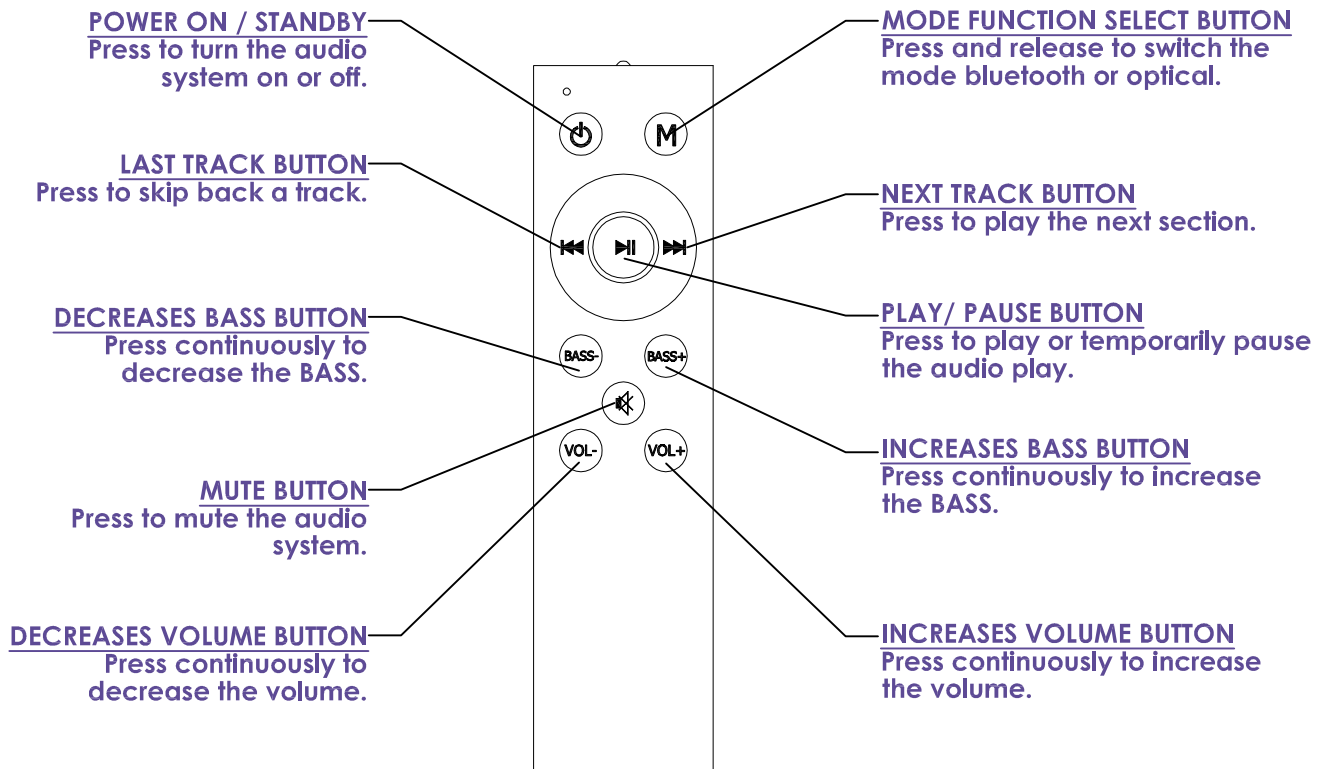
- Audio touchpad control panel detail.
- The touchpad power/standby light will automatically go out after 15 seconds. (This feature is in place to avoid light disturbance, when trying to sleep.)



Using the Remote Control

15

- Audio system wireless remote control detail.



Playing Sound Through The TV - (Optical Mode)

16

- Ensure the optical cable is correctly connected to both the television and bed speaker connectors (see page 13 - step 8 & page 16 - step 12 of your assembly instructions).
- Ensure the speaker system is powered on.
- Ensure the Television is powered on and playing a picture with sound.
- Using the remote control - press 'M' until the 'OPT' light is illuminated on the touchpad or - using the touchpad - press OPT.
- Adjust the volume/base/according to your sound preferences, on the remote control.

TROUBLE SHOOTING

- In the event all the 'above' steps have been followed and there is no optical sound coming from the speaker system - please check the following:
- The OPT light is illuminated on the touchpad.
- YES: Check the Television Optical Setting Instruction, on the Television user manual and ensure its instructions are carefully followed.
- NO: If all power and cable connections are correct, as per the bed system user manual - please call the product support line 01462 600 064 (PLEASE ENSURE YOU HAVE YOUR PURCHASE INFORMATION TO HAND AND YOU ARE IN CLOSE PROXIMITY TO THE PRODUCT BEFORE CALLING!!) 9am - 5pm.

Playing Sound Through Bluetooth Connection - (Bluetooth Mode)

17

- Using the remote control - press 'M' until the 'BT' light is illuminated on the touchpad or - using the touchpad - press BT button.
- On your audio player device - look for 'Inv Spk' or 'BSSB 2.1' under BT Connection Settings.
- Select 'Inv Spk' or 'BSSB 2.1'.
- The BT connection should automatically take place with a connected audio bleep notification - no connection code is required!
- Adjust the volume/ base/ according to your sound preferences, on the remote control.

PLEASE NOTE: IN ORDER TO CONNECT AN ALTERNATIVE DEVICE, YOU WILL NEED TO DISCONNECT THE CONNECTED DEVICE FIRST!!

TROUBLE SHOOTING

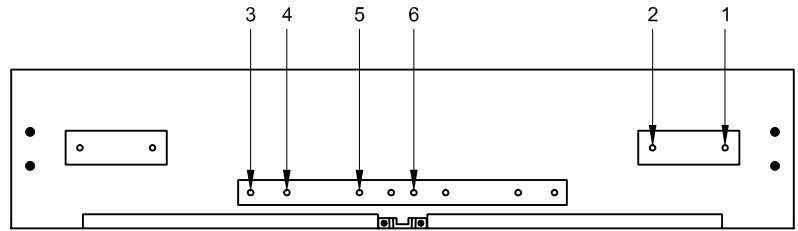
- In the event all the 'above' steps have been followed and there is no BT sound coming from the speaker system - please check the following:
- The BT light is illuminated on the touchpad.
- YES: Power OFF - then ON, both the speaker system and device. Repeat above connection processes.
- NO: If all power and cable connections are correct, as per the bed system user manual - please call the product support line 01462 600 064 (PLEASE ENSURE YOU HAVE YOUR PURCHASE INFORMATION TO HAND AND YOU ARE IN CLOSE PROXIMITY TO THE PRODUCT BEFORE CALLING!!) 9am - 5pm.

Holes Detail For Fixing Lift Up Mechanism

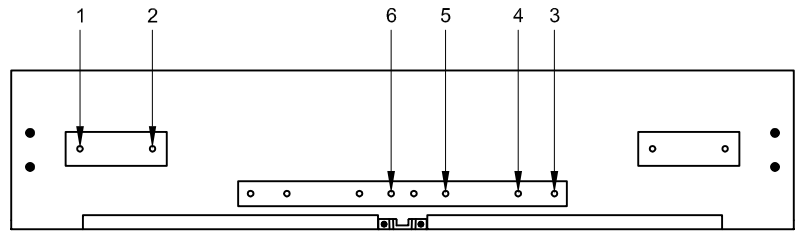
18

DOUBLE BED

LEFT SIDE LIFT UP
FOR DOUBLE BED
(VIEW ON HEAD END)

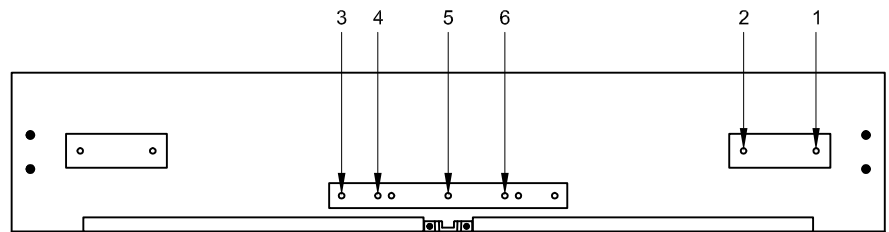


RIGHT SIDE LIFT UP
FOR DOUBLE BED
(VIEW ON HEAD END)

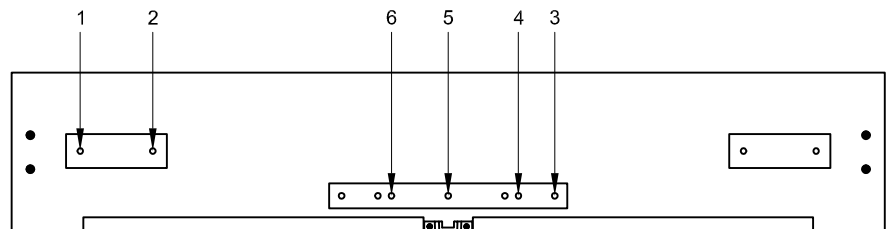


KING BED

LEFT SIDE LIFT UP
FOR KING BED
(VIEW ON HEAD END)

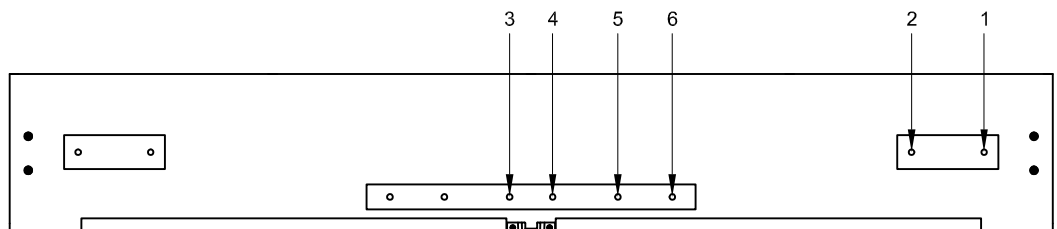


RIGHT SIDE LIFT UP
FOR KING BED
(VIEW ON HEAD END)

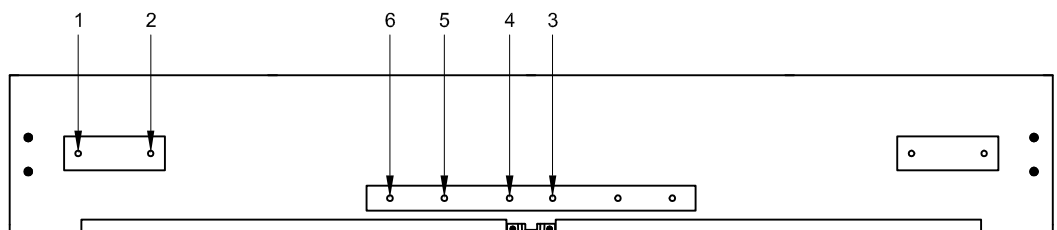


SUPER KING BED

LEFT SIDE LIFT UP
FOR SUPER KING BED
(VIEW ON HEAD END)



RIGHT SIDE LIFT UP
FOR SUPER KING BED
(VIEW ON HEAD END)

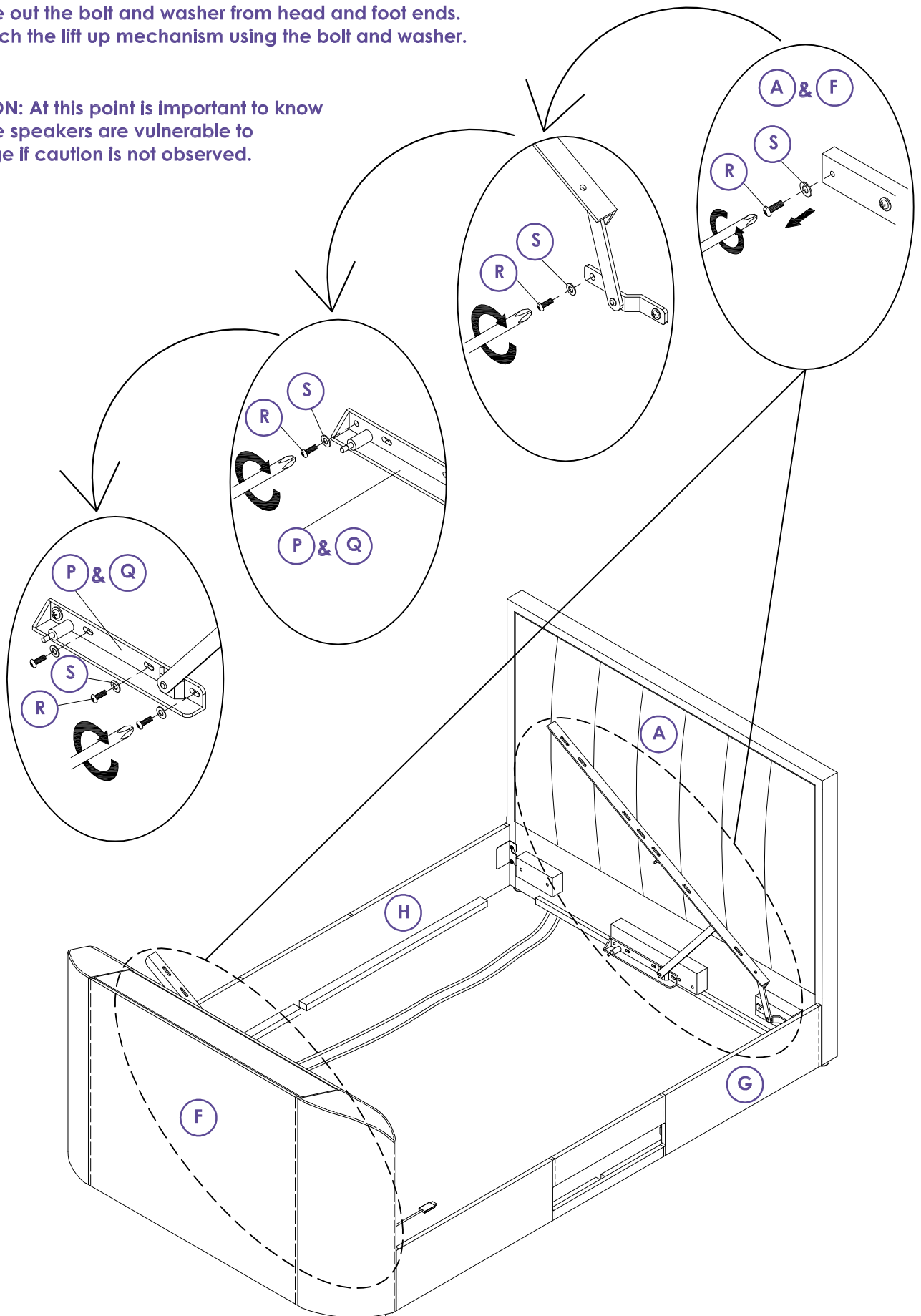


Fixing The Lift Up Mechanism

19

- Take out the bolt and washer from head and foot ends.
- Attach the lift up mechanism using the bolt and washer.

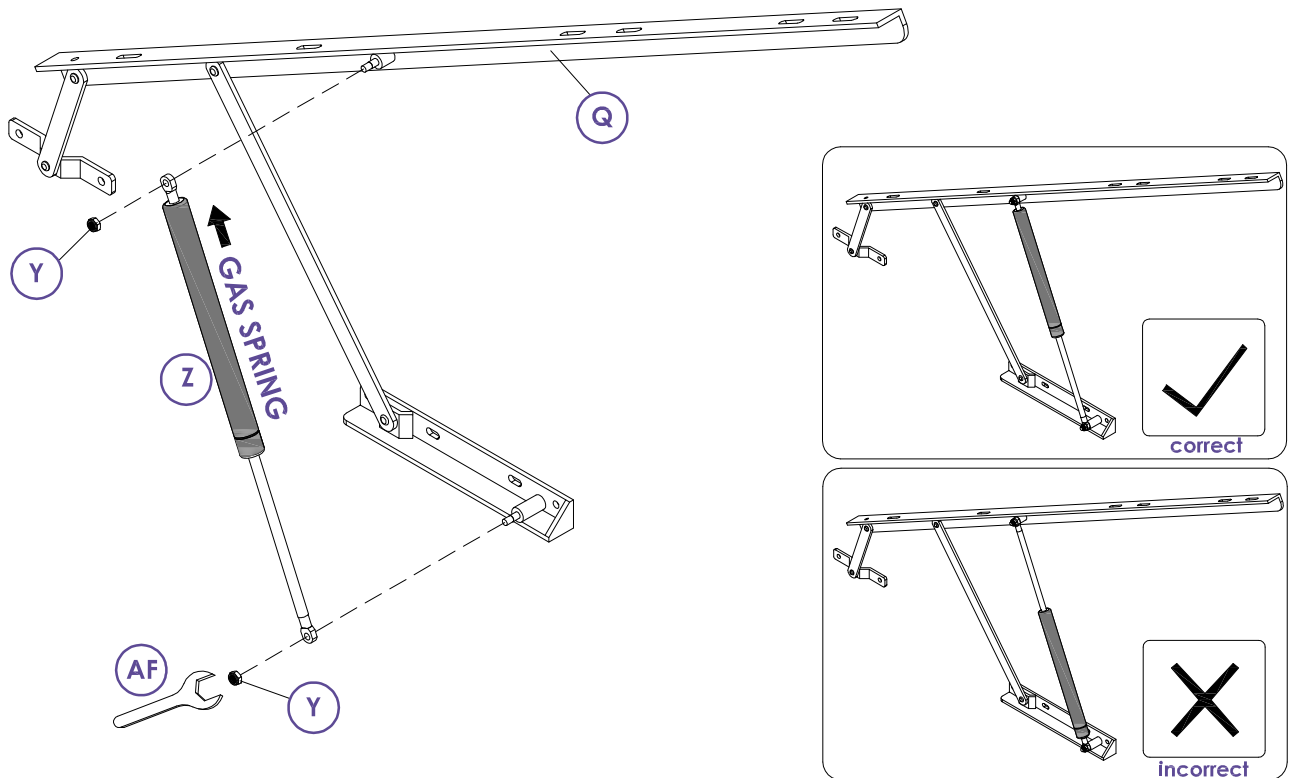
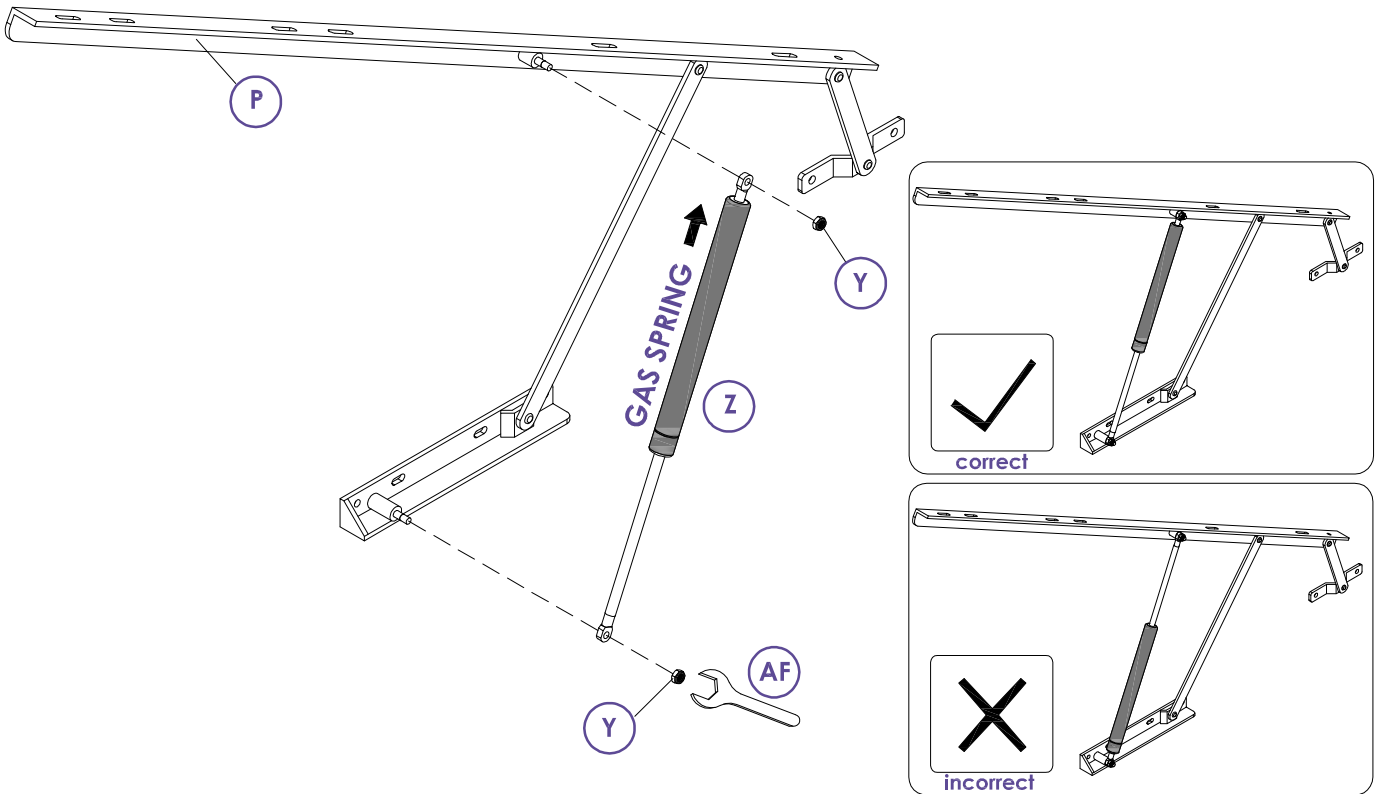
CAUTION: At this point is important to know that the speakers are vulnerable to damage if caution is not observed.



Attach The Gas Spring To The Lift Up Mechanism

20

- Attach the gas spring to the lift up mechanism using the nylon nut.

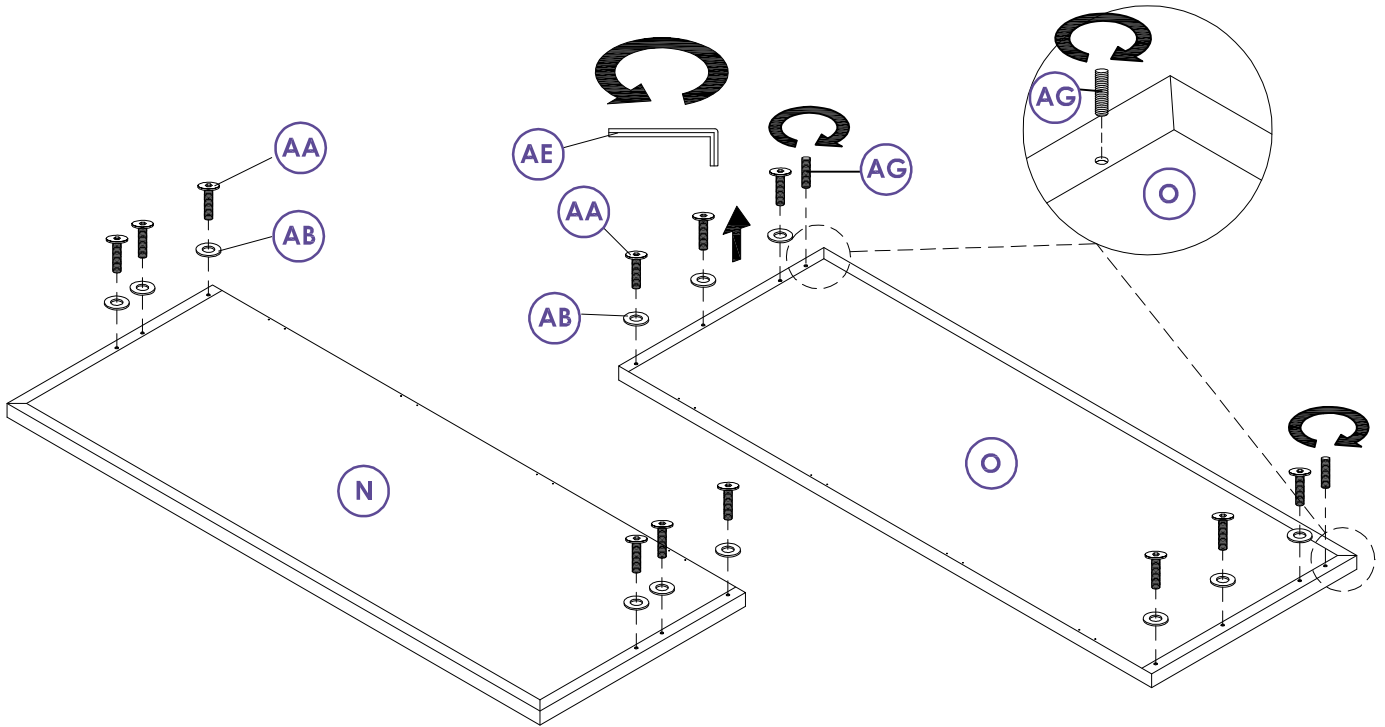


FULLY TIGHTEN ALL NUTS AFTER ATTACHING THE PISTONS.

Lift Base Hardware

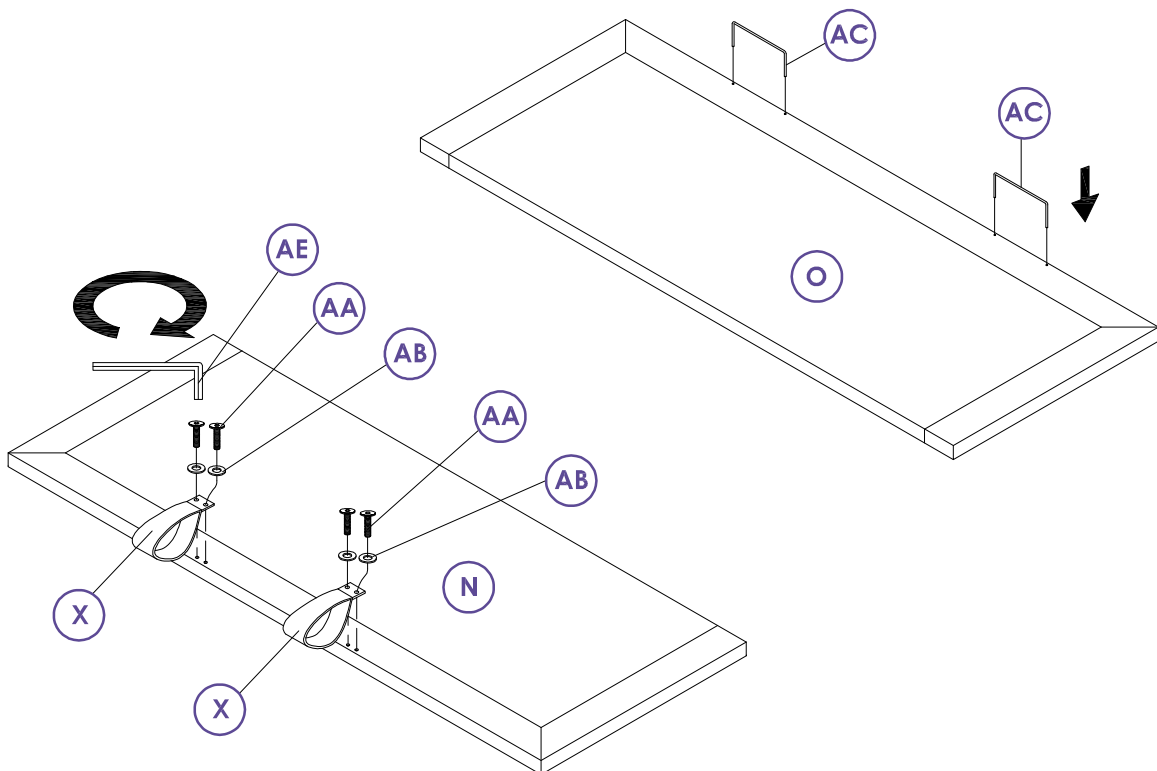
21

- Take out the all the screw and washer from lift base (N) and lift base (O) as shown.
- Assemble the stud bolt 'AG' to the first hole for back lift base 'O'.

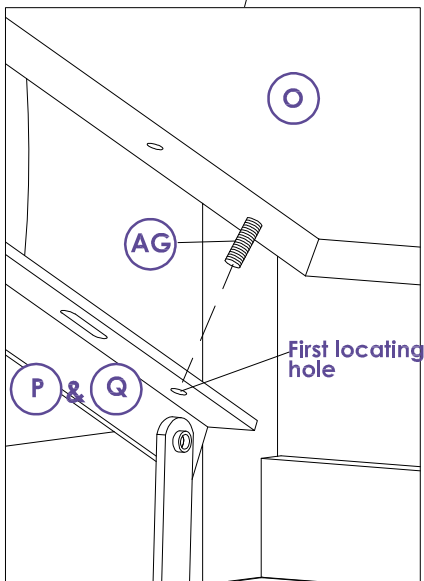
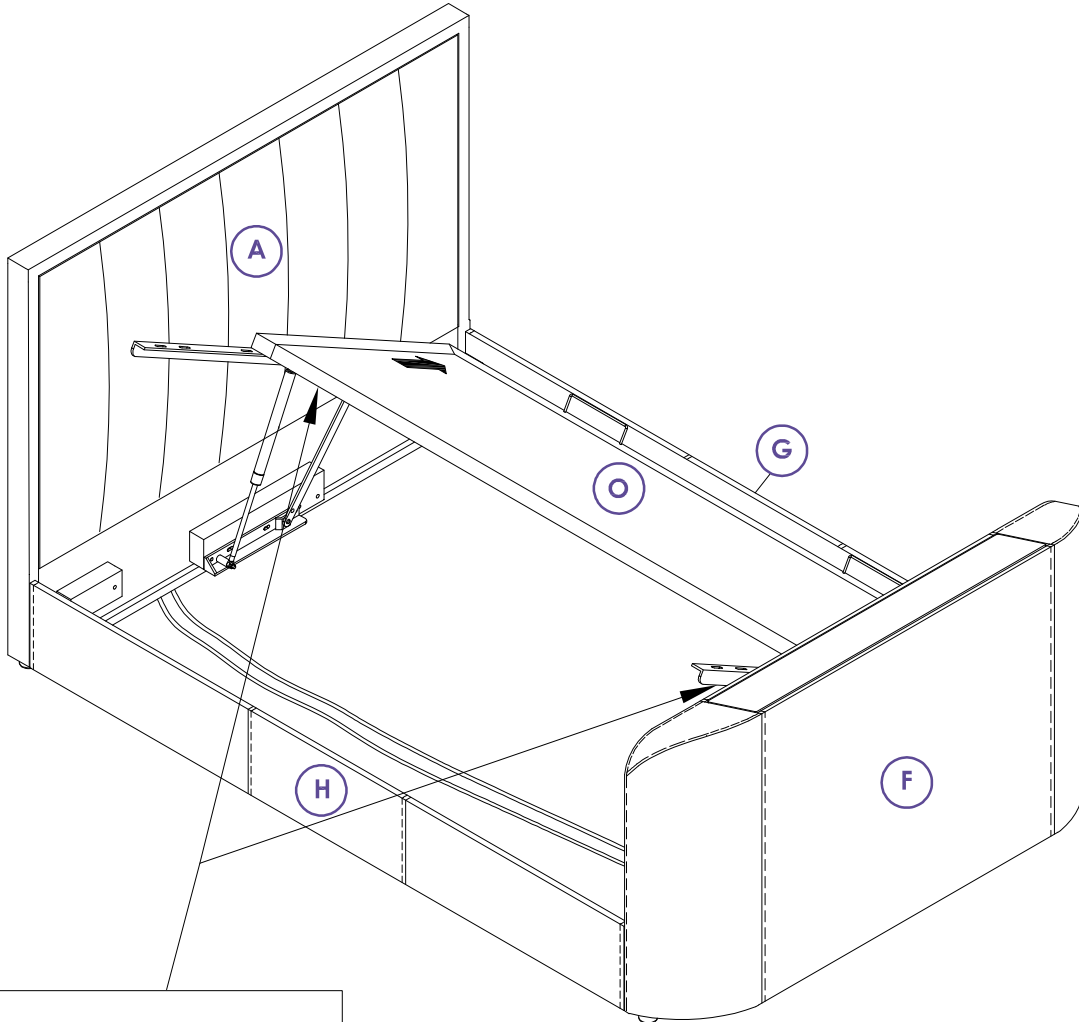


22

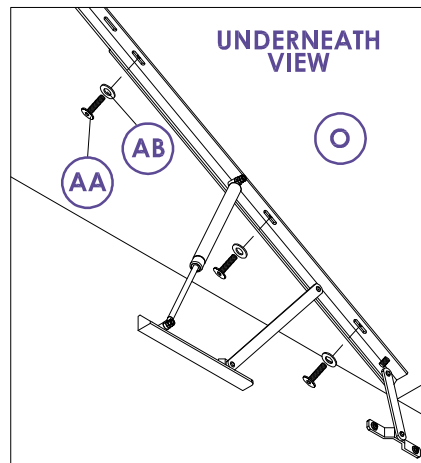
- Attach the handle to lift base (N) with screw (AA) and washer (AB).
- Attach the mattress stopper (AC) to list base (O) .



- First put the back lift base 'O' on top of lift up mechanism 'P' and 'Q' with the provided stud bolts (AG) as per step 21 to the first hole for safety and to prevent the lift base from dropping down.
- Then affix all the screws and washers to the underside of lift base (O), using the allen key to tighten all the screws as shown.



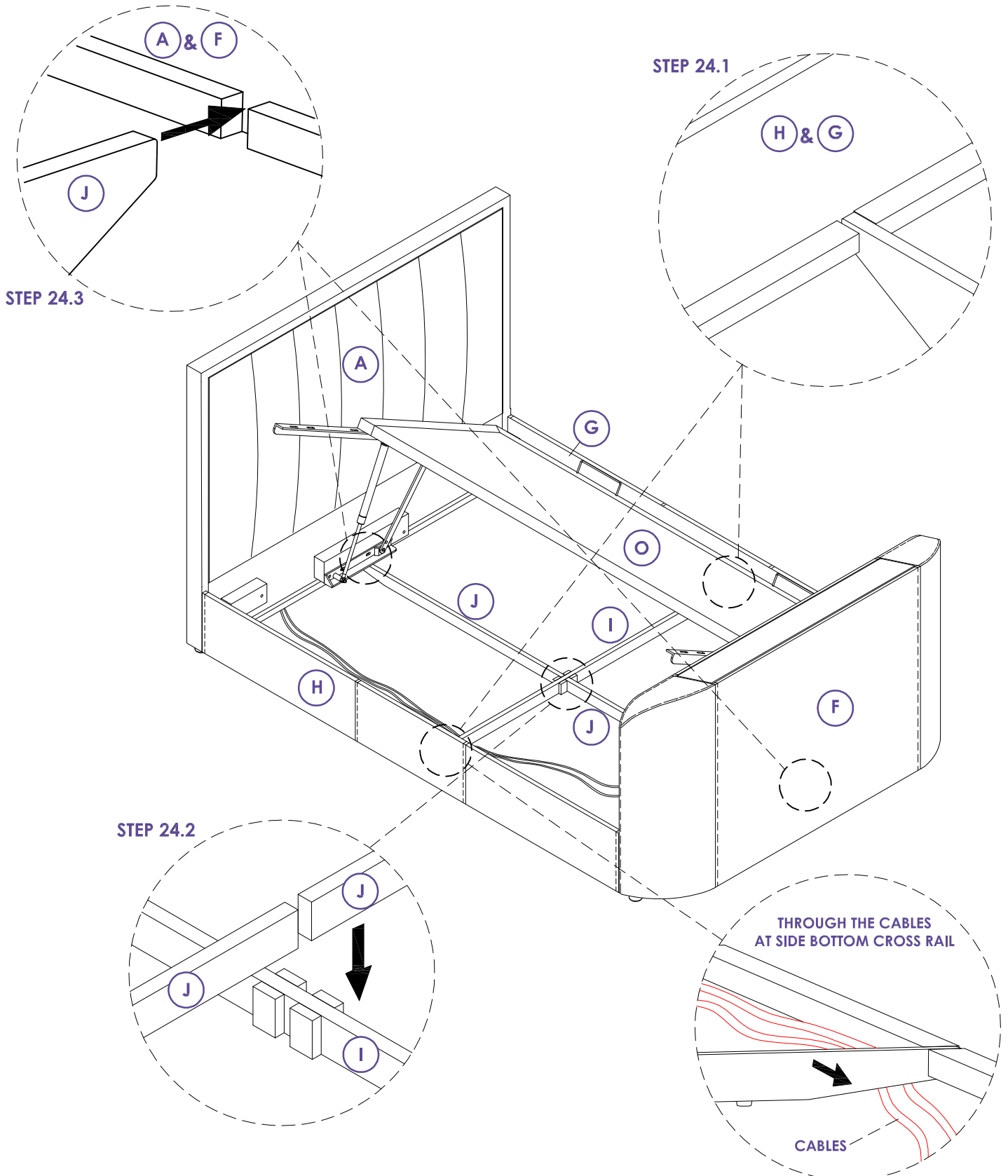
UNDERNEATH VIEW



UNDERNEATH VIEW

24

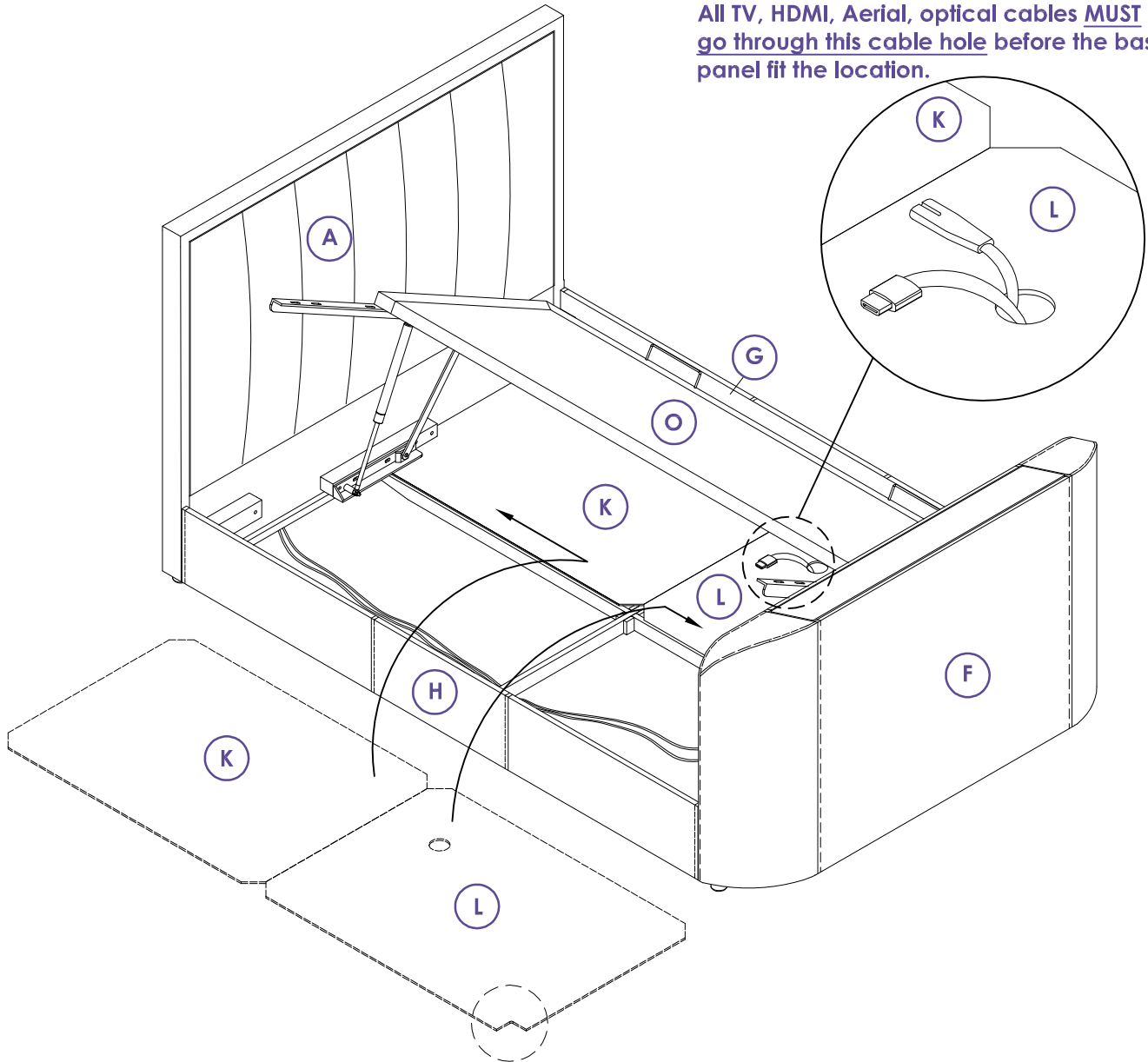
- Attach the bottom cross rail (long) (I) & bottom cross rail (short) (J) to the headboard, footboard and side rail as shown. Being carefull not to catch the fabric.
- Attach the bottom cross rail (long) (I) to the side rail (H) & (G) and the bottom cross rail (short) X2 pcs (J) to the headboard (A) and footboard (F) as shown (STEP 24.1),(STEP 24.2) & (STEP 24.3).



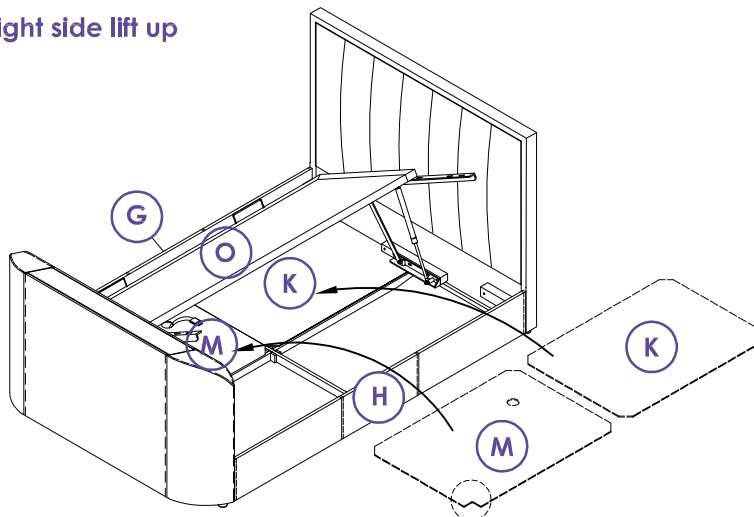
25

- Place the base panel (L) & base panel (K) on top of the bottom cross rail.
- Then carefully slide the base panel to fit the location.

All TV, HDMI, Aerial, optical cables **MUST** go through this cable hole before the base panel fit the location.

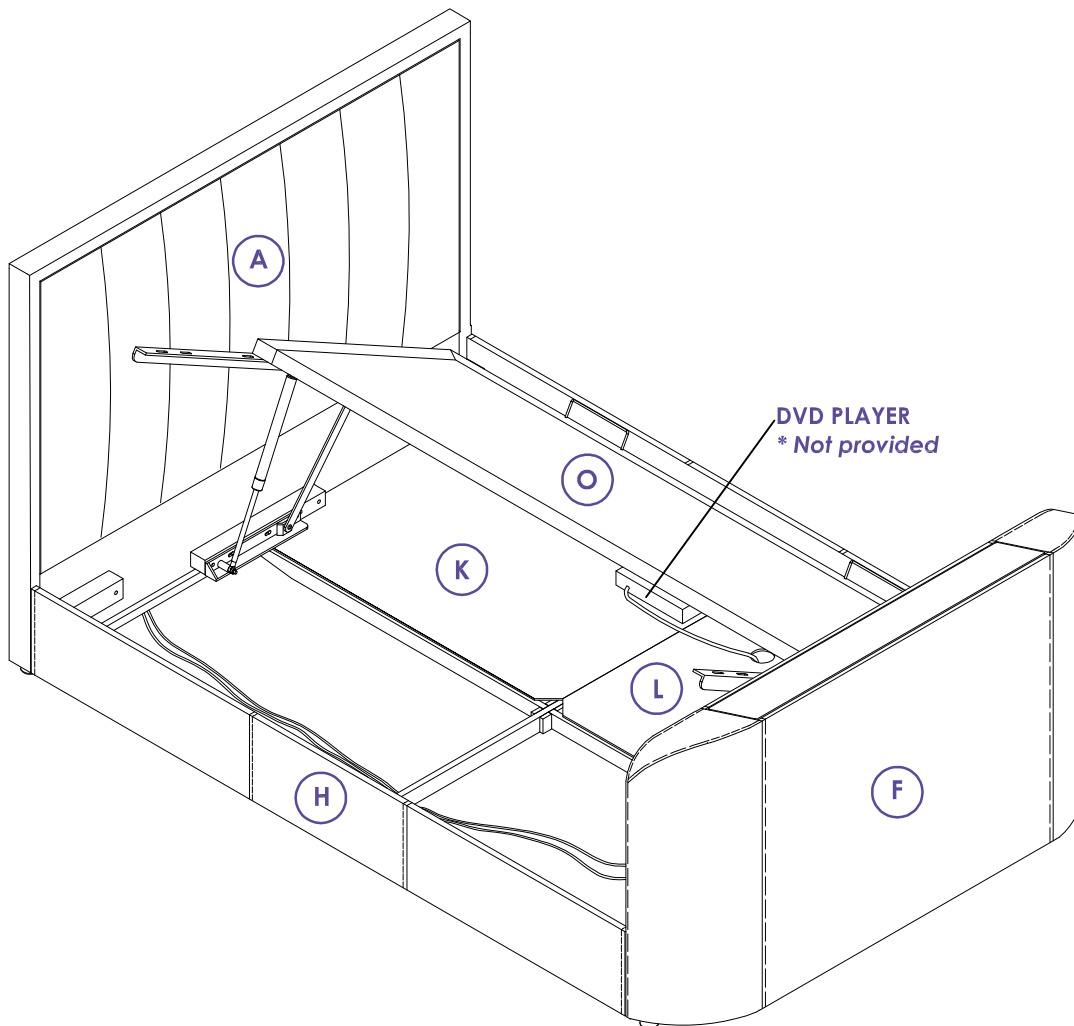


- Optional-Right side lift up



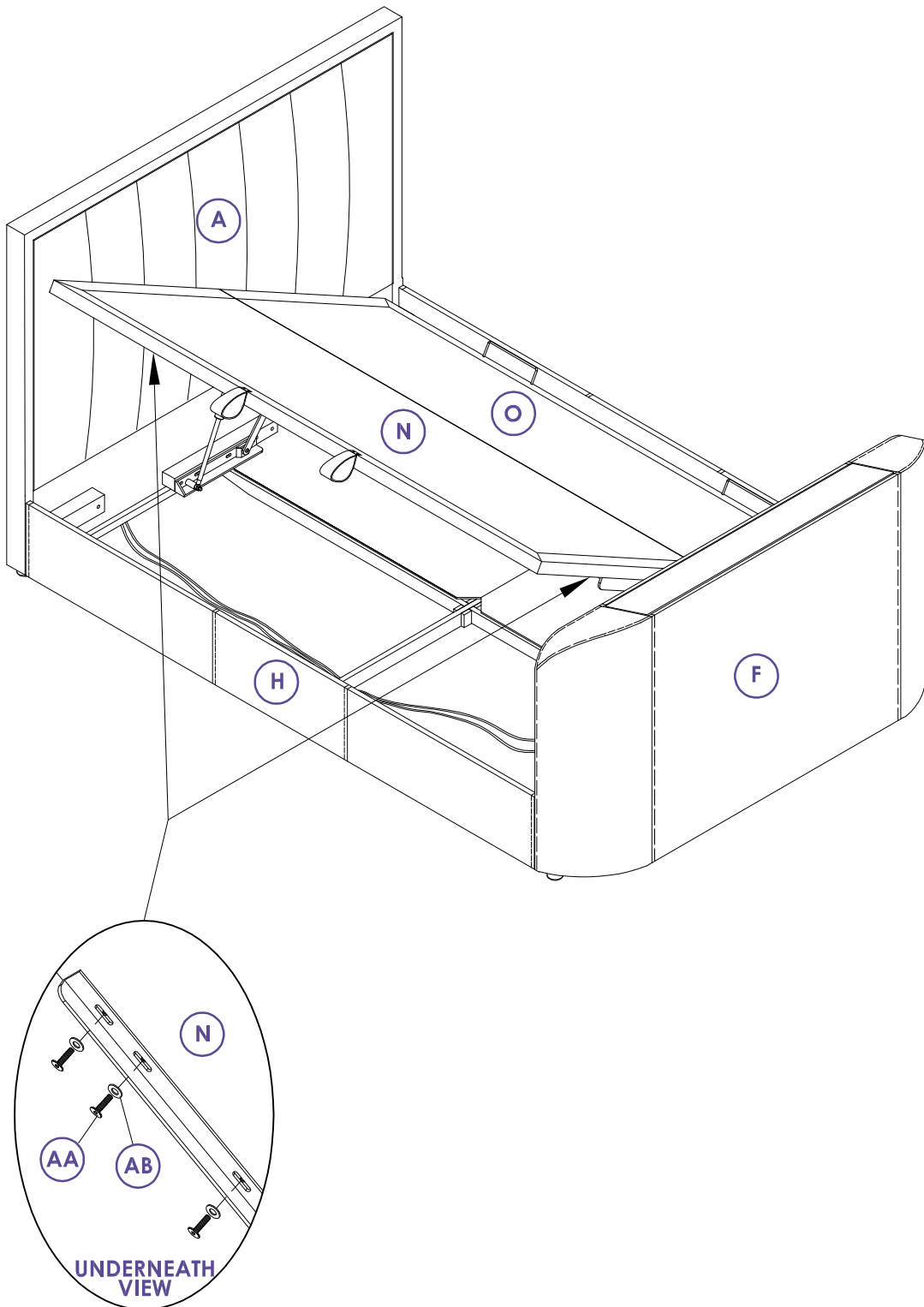
26

- You can now setup your media devices near the opening side.

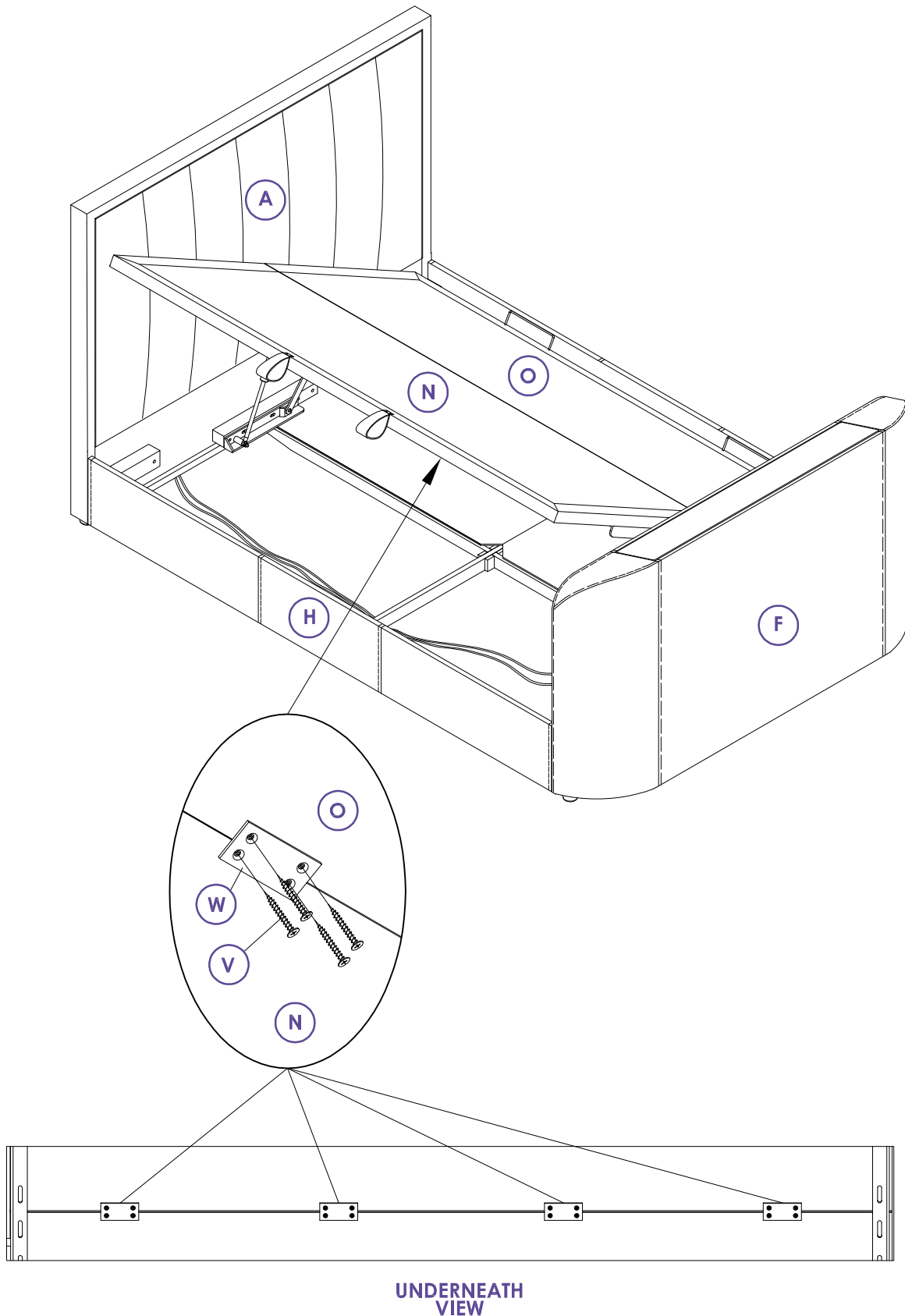


27

- Attach the lift base (N) on lift up mechanism using screw and washer as shown.

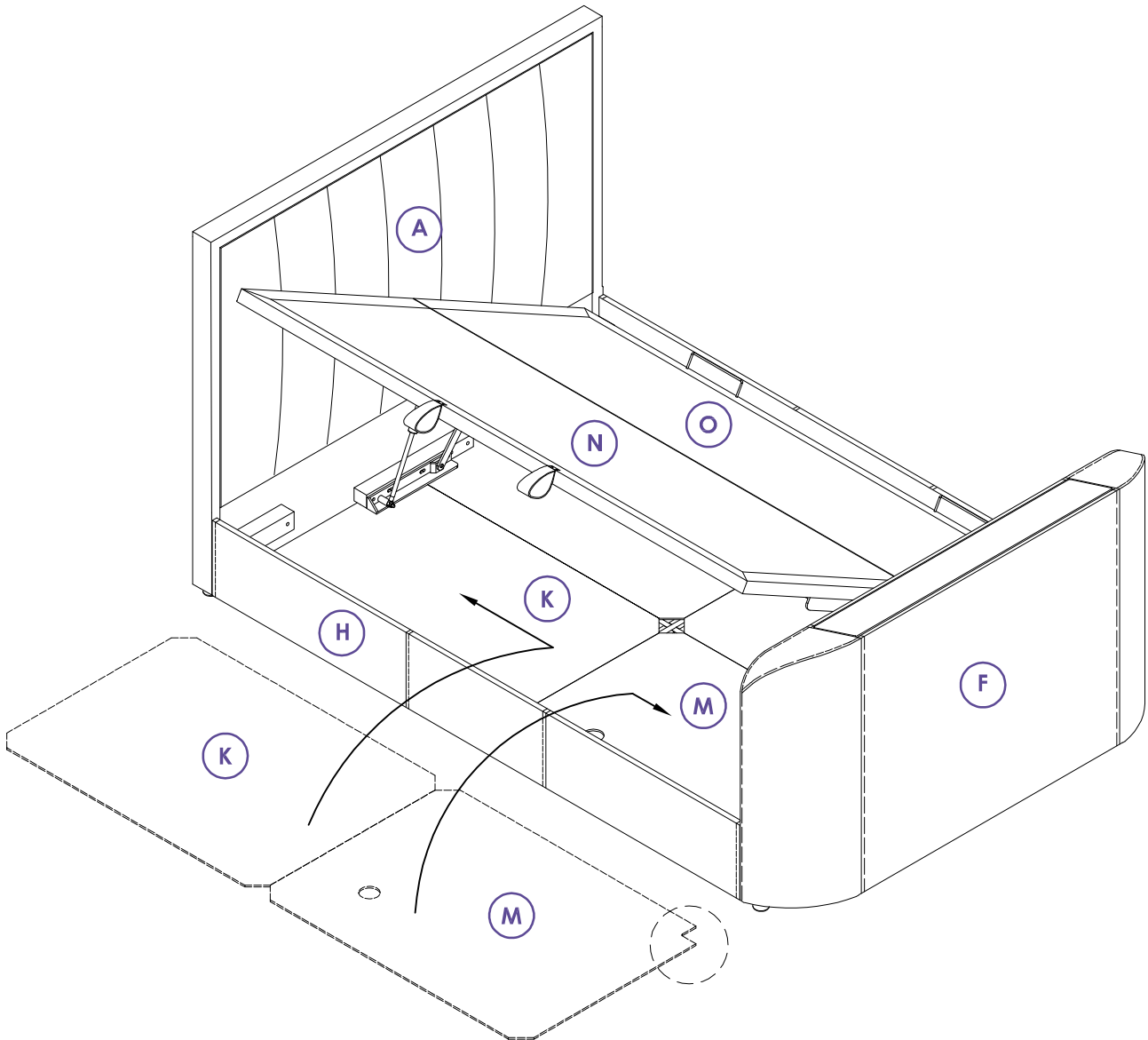


- Attach the metal plate (W) to the bottom of lift base (N) & (O) with screw (V) as shown.

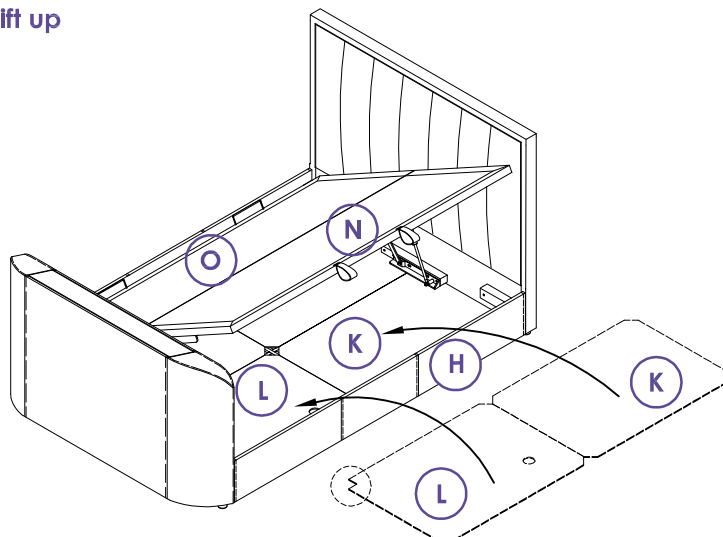


29

- Place the base panel (K) & base panel (M) on top of the bottom cross rail.
- Then carefully slide the base panel to fit the location.

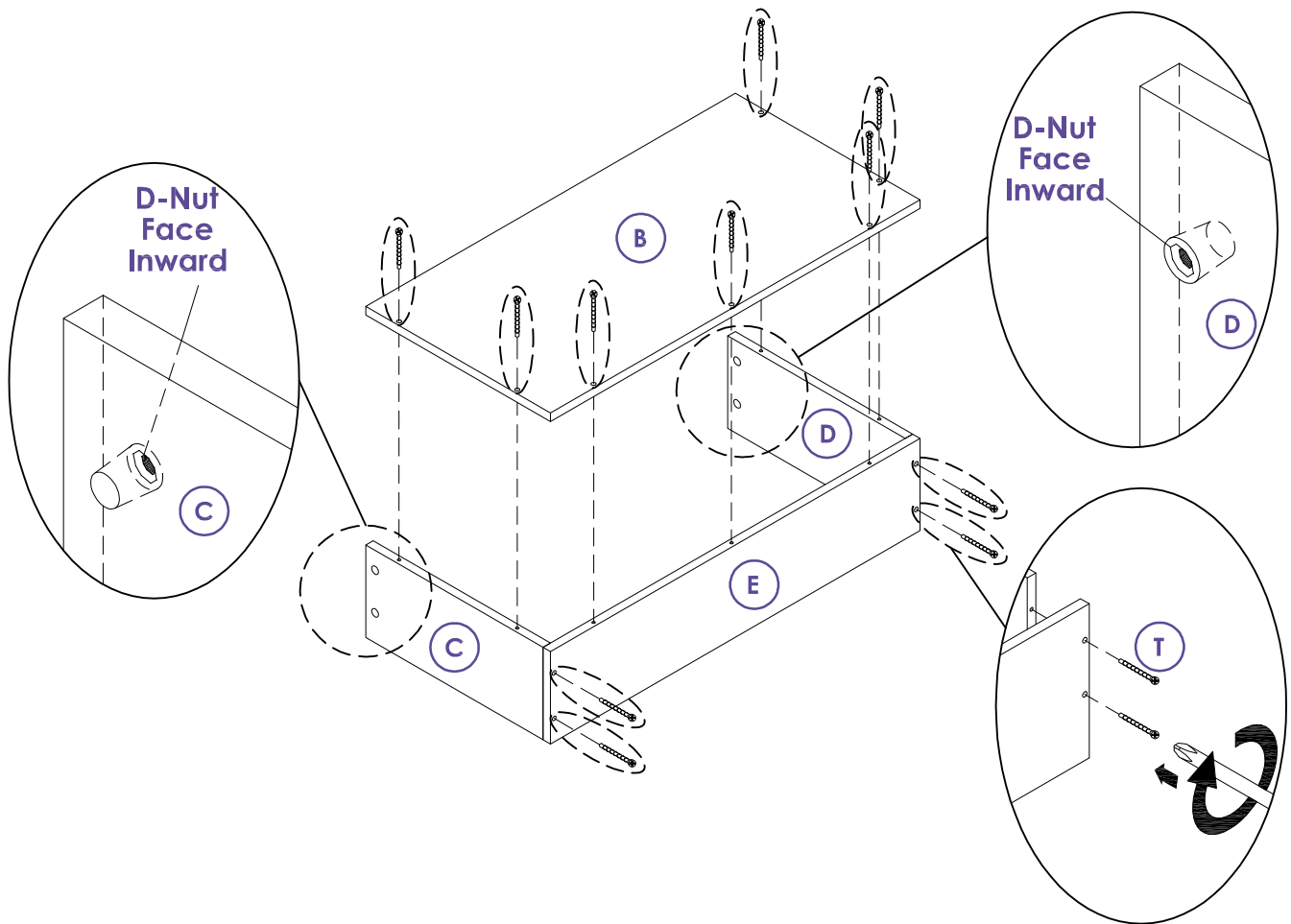


- Optional-Right side lift up



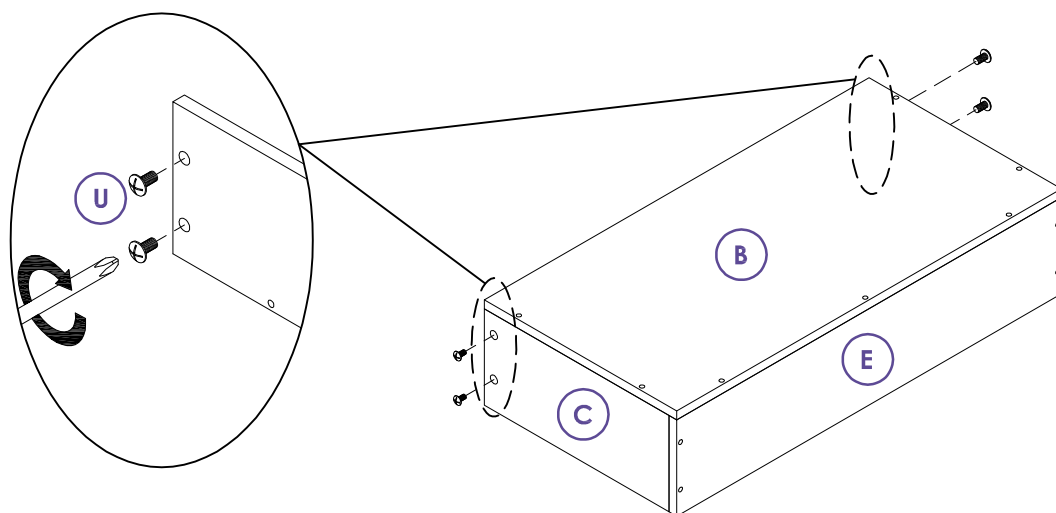
30

- Attach "DVD / Media Compartment" side and back panels to "DVD / Media Compartment" top panel as shown.

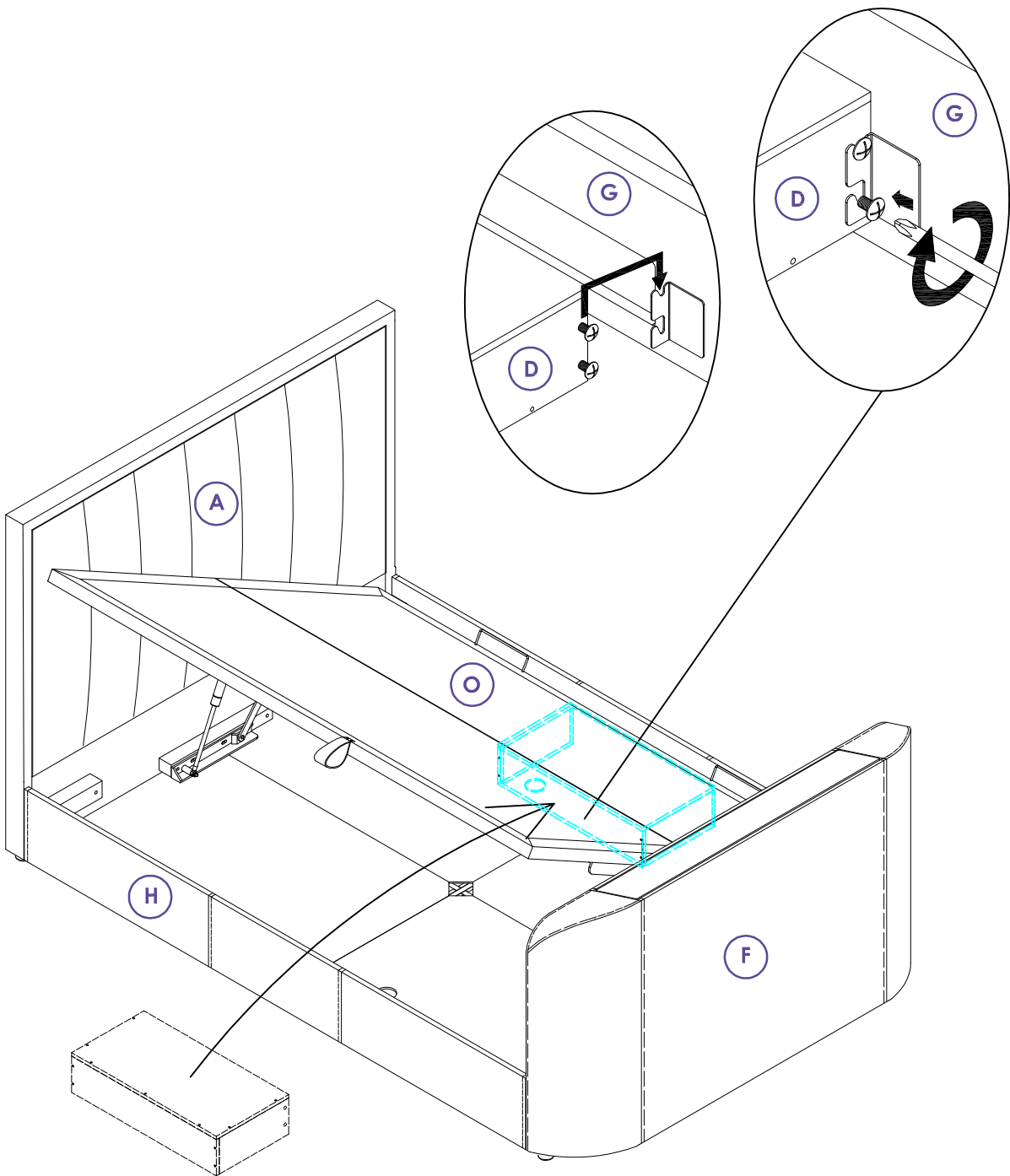


31

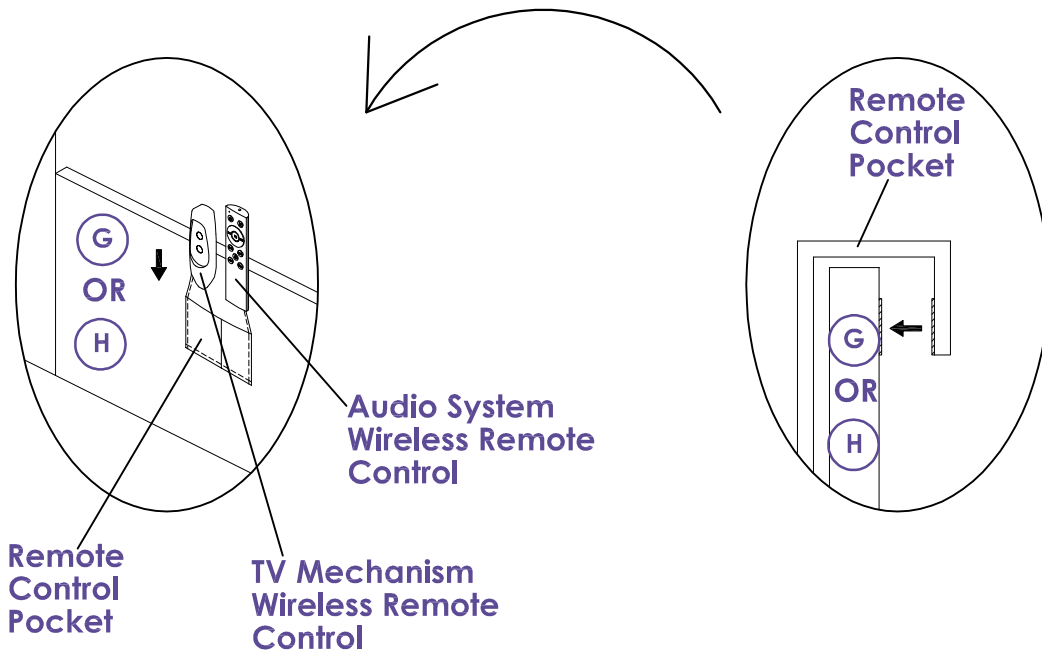
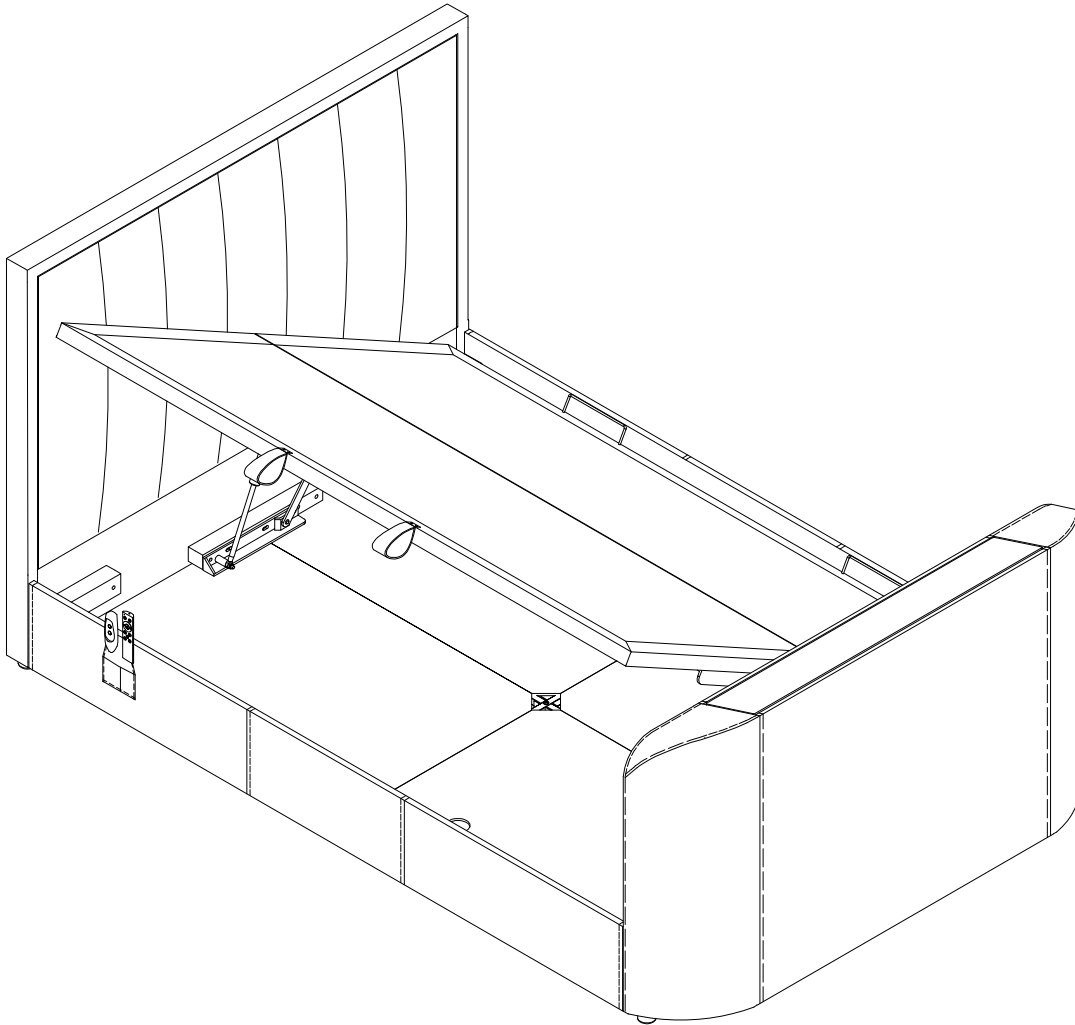
- Attach the bolts (U) to the outside of "DVD / Media Compartment" side panels as shown.



- Attach the "DVD / Media Compartment" to the side rail and fully tighten bolts (U) as shown.

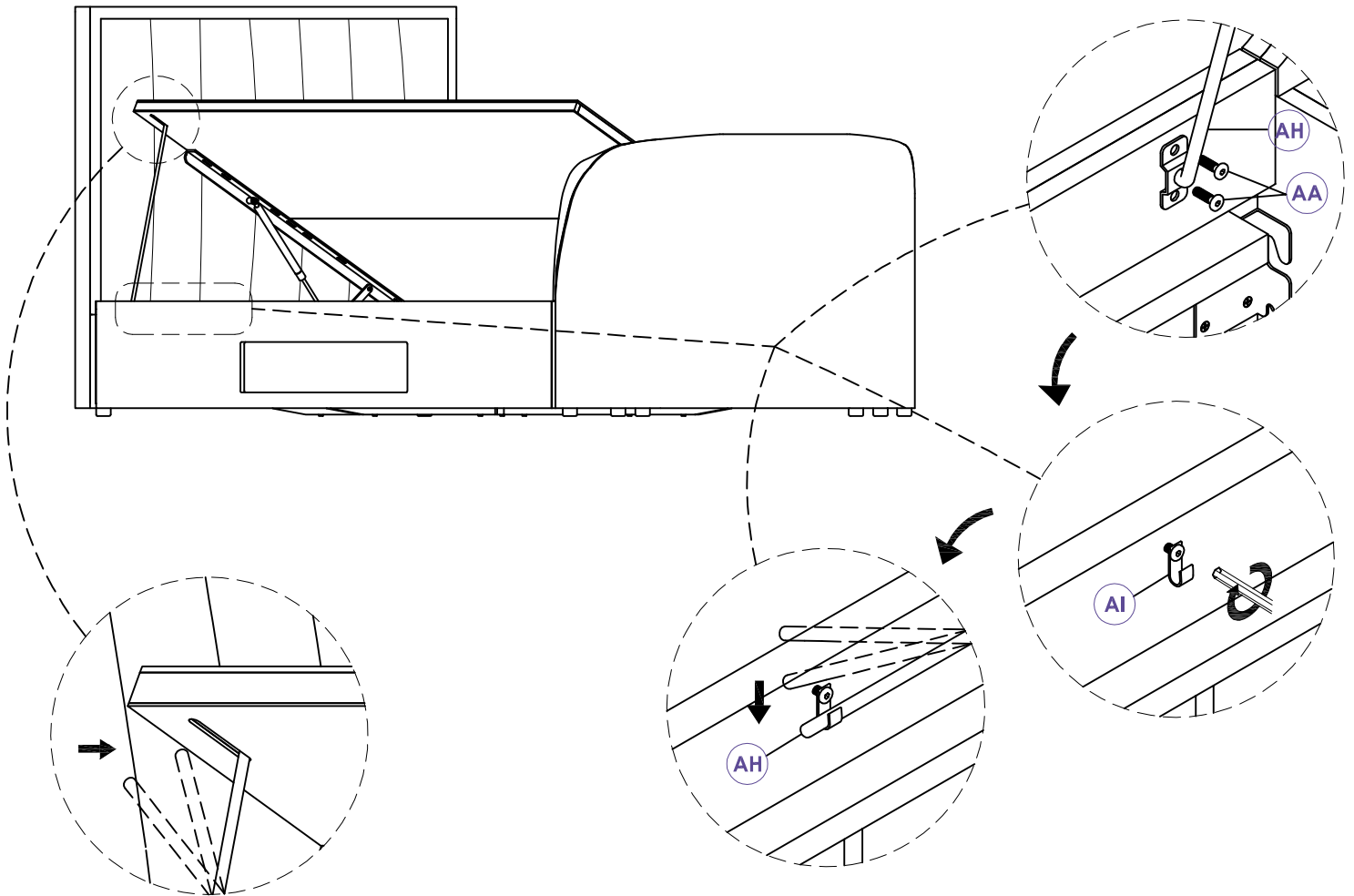


- Attach the remote control pocket to the left or the right side rail as preferred.



34

- Fix the Ottoman Support Bar (AH) and Plastic Hook (AI) to the siderail with bolt (AA) as shown.
- Tighten the bolts.

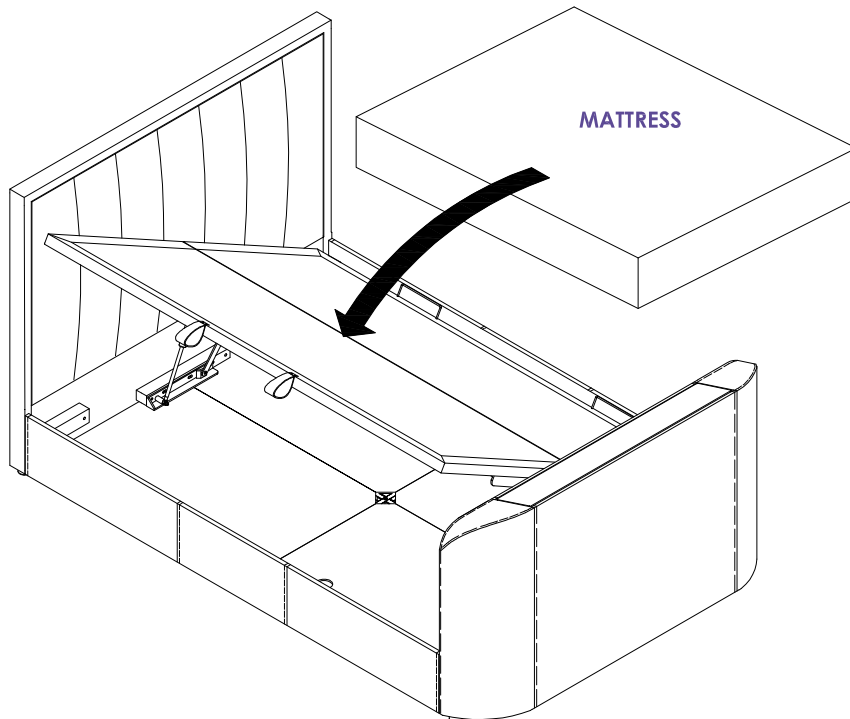


HOW TO USE

1. WHEN ENGAGING THE OTTOMAN SUPPORT BAR, ENSURE THE LIFT BASE IS RAISED TO THE MAXIMUM OPENING EXTENSION.
2. LOCATE THE OTTOMAN SUPPORT BAR FROM UNDER THE LIFT BASE AND GUIDE THE SUPPORT BAR INTO THE BAR SLOT FIXED TO THE BED FRAME.
3. BEFORE CLOSE THE LIFT UP BASE, CAREFULLY HOLD THE LIFT UP BASE AND GUIDE THE SUPPORT BAR BACK INTO THE HOOK PROVIDED.
4. SLOWLY CLOSE THE LIFT UP BASE.

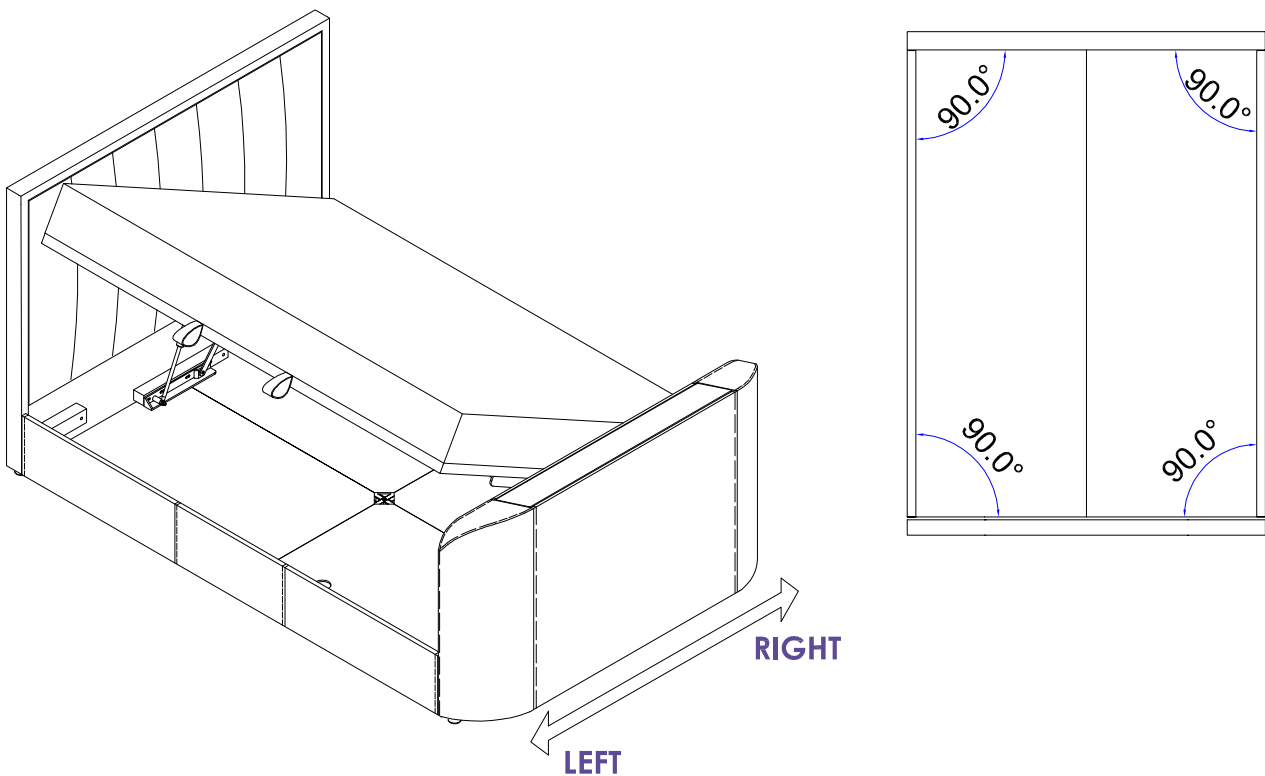
35

- Attach the mattress on the bed as shown.



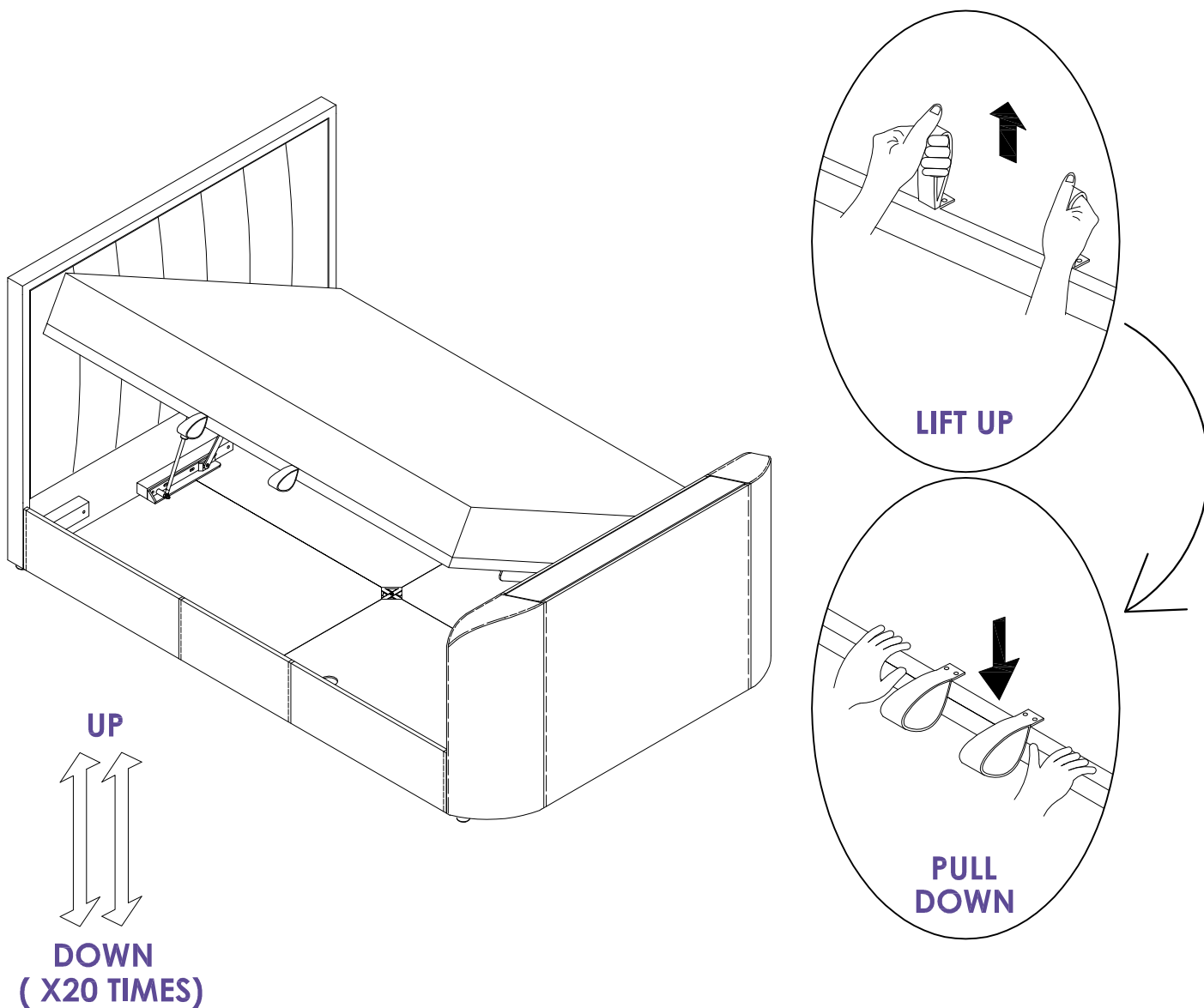
36

- Make sure the bed frame 4 side angles are at 90 degrees before you closing the lift base.

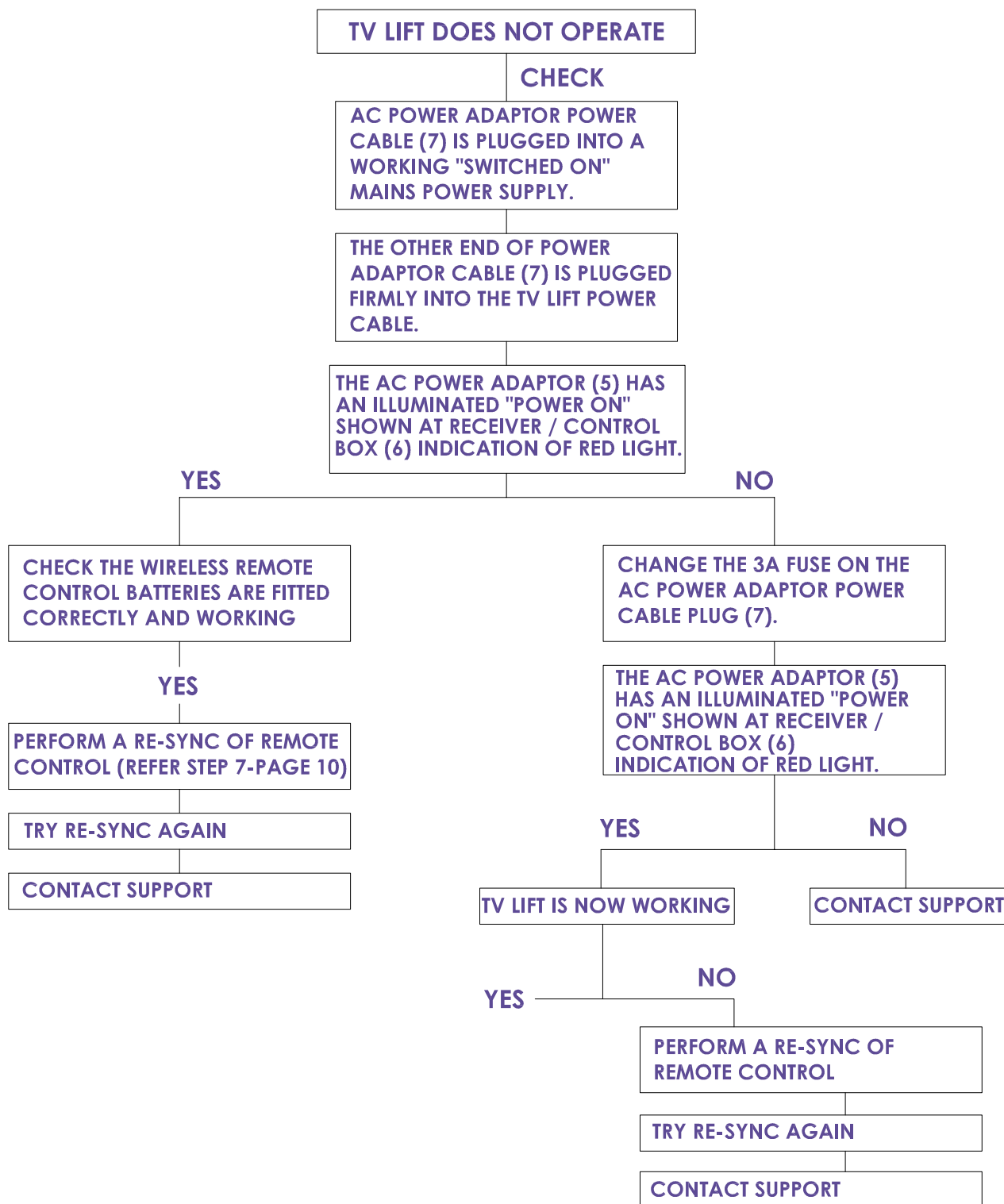


37

- The mattress must be fitted on the lift base. (Do not operate the lift up mechanism without the mattress fitted on the lift base.)
- Lift the frame with the mattress, up and down at least 20 times before use.



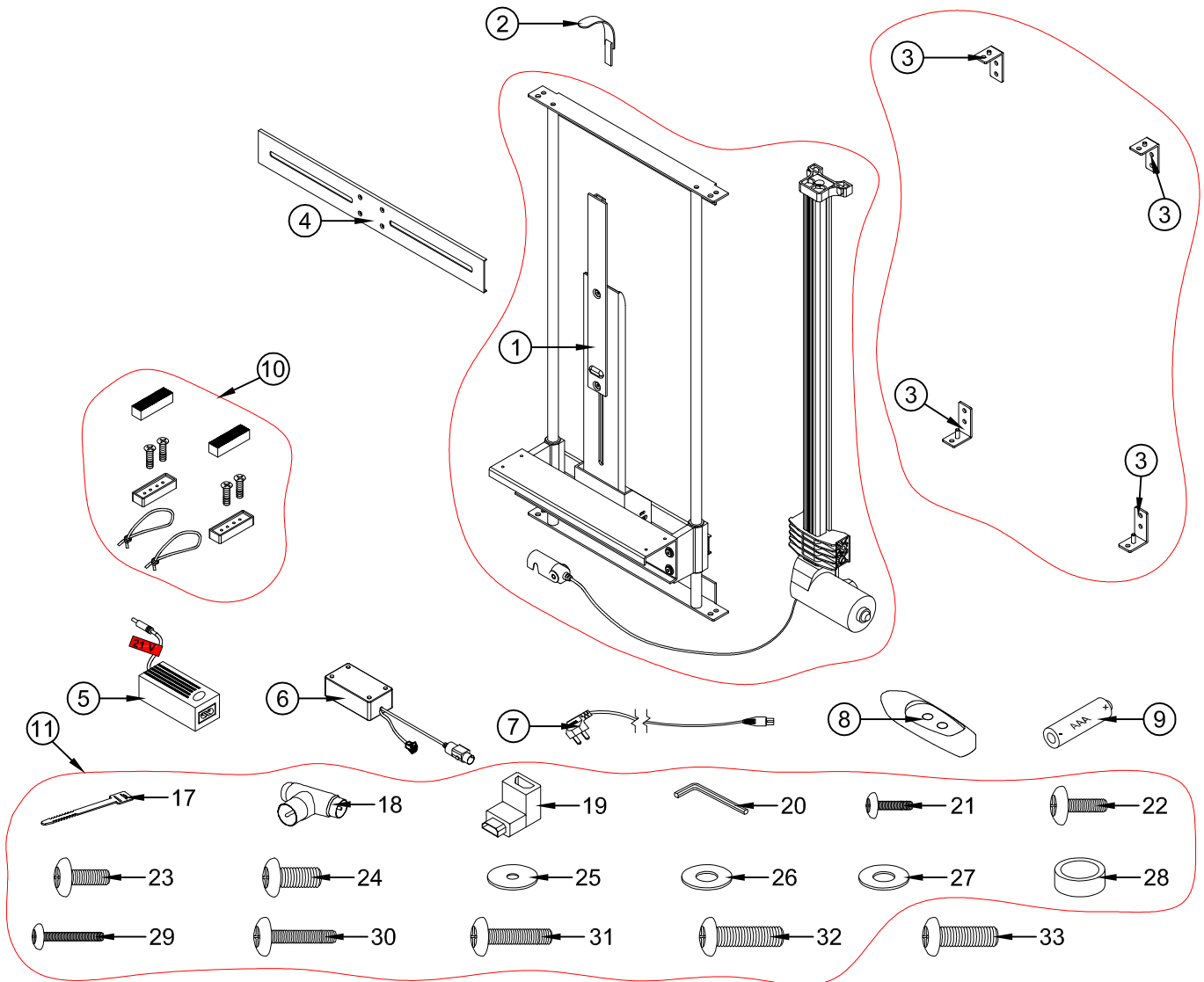
TROUBLE SHOOTING



SPECIFICATION-TV MECHANISM

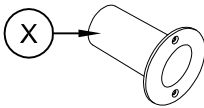
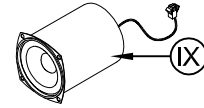
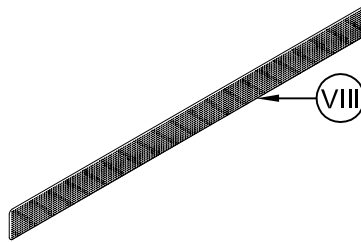
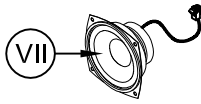
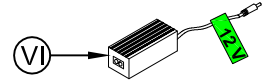
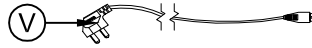
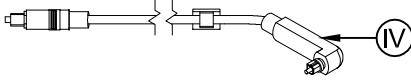
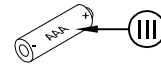
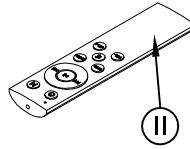
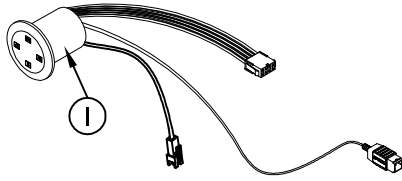
FEATURE	Wireless Remote Control-TV LIFT MECHANISM
INPUT	100V-240V~ 50/60Hz 1500mA
OUTPUT	21V ---- 2A
DUTY CYCLE	MAX 10% ; MAX 2 min / 18 min
BATTERY (WIRELESS REMOTE CONTROL)	Size: AAA - Ø10.5 X T44.5mm - Spec.: 1.5V

G4.02 TV LIFT MECHANISM- OPTI-SERVE SPARE PARTS LIST



ITEM NO.	PART DESCRIPTION	IV CODES
1	Main TV-lift up mechanism (pre- assemble)	IV001802
	TV-linear actuator G4 (pre-fixed)	
	Actuator mounting top spacer (2pcs) (pre-fixed)	
	Cross recessed countersunk flat head wood screw- Top mounting M6 x 30mm (2pcs) (pre-fixed)	
	Cross recessed countersunk flat head wood screw- Top mounting M6 x 20mm (2pcs) (pre-fixed)	
	Actuator mounting bolt- screw M6 x 20mm (4pcs) (pre-fixed)	
2	Gooseneck (pre-fixed)	IV001289
3	Top hanging bracket (2pcs) (pre-fixed)	IV001636
	Bottom hanging bracket (2pcs) (pre-fixed)	
4	TV- flat bracket (Vesa Bracket) (pre-fixed)	IV001290
5	TV-lift up mechanism AC/ DC adapter	IV001806
6	APP TV lift-up mechanism control box (pre-fixed)	IV001970
7	TV-lift up mechanism AC/ power-cable power plug UK	IV000024
8	Wireless remote control	IV001804
9	Battery (2pcs)	IV000991
10	TV block (2pcs), screw M4 x 35mm (4pcs), block rubber cover (2pcs), cable management bungee cable (2pcs) (pre-fixed)	IV001635
11	(17) Cable clip (2pcs)-use to fix wire	IV001634
	(18) Aerial connection (1pc)	
	(19) 90 degree HDMI adaptor (1pc)	
	(20) Allen key (M4) (1pc)	
	(21) Pan head screw M4 x 20mm (2pcs)	
	(22) Pan head screw M5 x 20mm (2pcs)	
	(23) Pan head screw M6 x 20mm (2pcs)	
	(24) Pan head screw M8 x 20mm (2pcs)	
	(25) M5 washer (2pcs)	
	(26) M6 washer (2pcs)	
	(27) M8 washer (2pcs)	
	(28) Plastic collar (6pcs)	
	(29) Pan head screw M4 x 40mm (2pcs)	
	(30) Pan head screw M5 x 40mm (2pcs)	
(31) Pan head screw M6 x 40mm (2pcs)		
(32) Pan head screw M8 x 40mm (2pcs)		
(33) Pan head screw M8 x 30mm (2pcs)	IV000032	

RM-3.4 AUDIO- OPTI-SERVE SPARE PARTS LIST



ITEM NO.	PART DESCRIPTION	IV CODES
I	Control panel (pre- fixed)	IV001971
II	Audio system wireless remote control	IV001327
III	Battery (2pcs)	IV000991
IV	2 meter optical cable + cable clip + turn head adapter	IV000036
V	Audio system AC power-cable power plug UK	IV001331
VI	Audio system AC adapter	IV001316
VII	Woofer	IV001318
VIII	Speaker cover silver	IV001972
VIII	Speaker cover black	IV001973
IX	Speaker	IV001317
X	Air Blow tube	IV001319

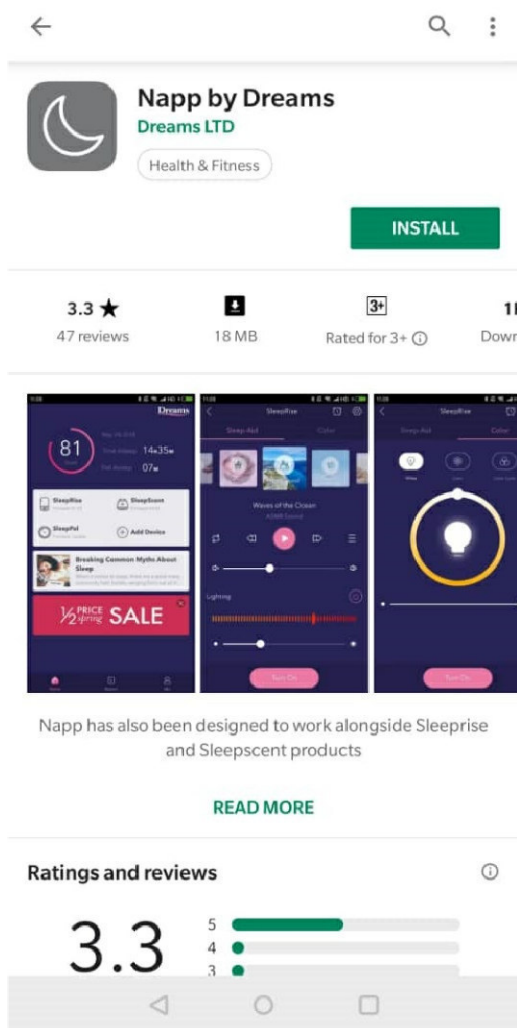
	Comforms To : CE_LIFT_Controller unit Linear actuator in UK/ EU (LVD + EMC + RoHS):
	-EN 60335-1; EN 62233; EN 55014-1; EN55014-2; EN 61000-3-2; EN 61000-3-3; EN 61558-2-16; EN 61558-1; EN 62321
	CE_MEDIA SYSTEM_For Audio System in UK/ EU (LVD + EMC + RoHS):
	-EN 55032; EN 55024; EN 61000-3-2; EN 6100-3-3, EN301489-1; EN301489-17; EN62479; IEC/EN 60065; EN 300 328; EN 1122

Napp by Dreams - Application

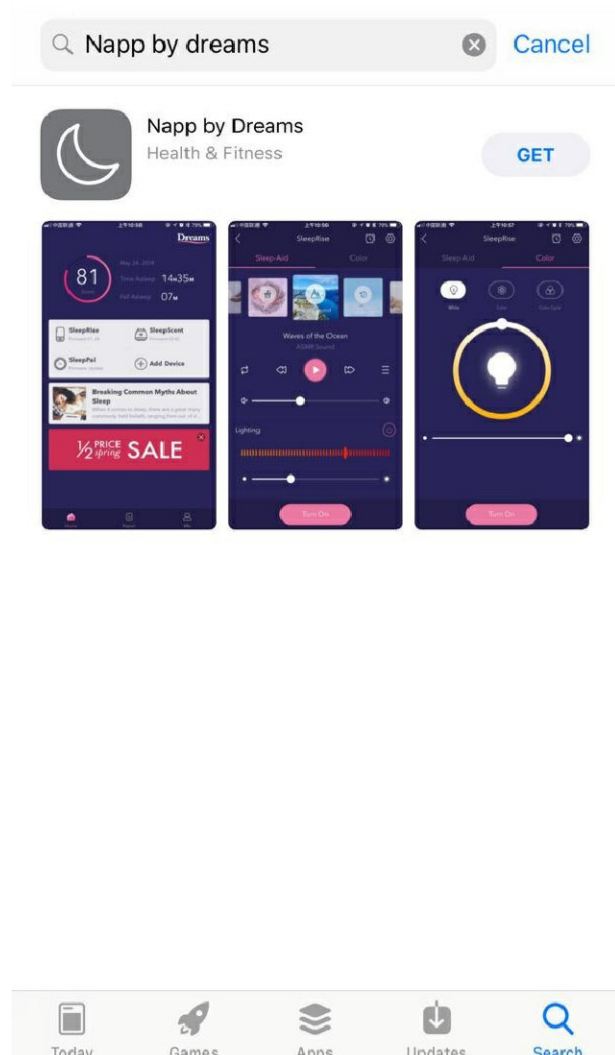


- This Osaka Ottoman TV bed has a built in application called Napp by Dreams.
- This NAPP App is available to download in "Playstore" for Android users and "App Store" for Apple users.
- Please follow the steps below for more detail.

- Search for Napp by Dreams at "Playstore" or "App Store" and it will appear as per below. Click "install" or "get" then open the apps.



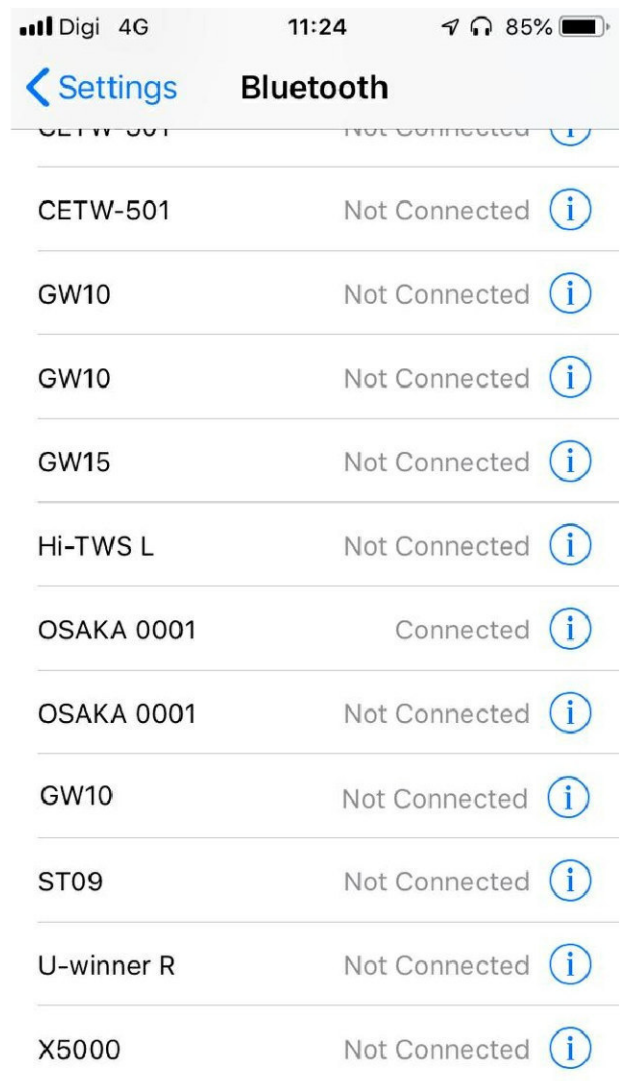
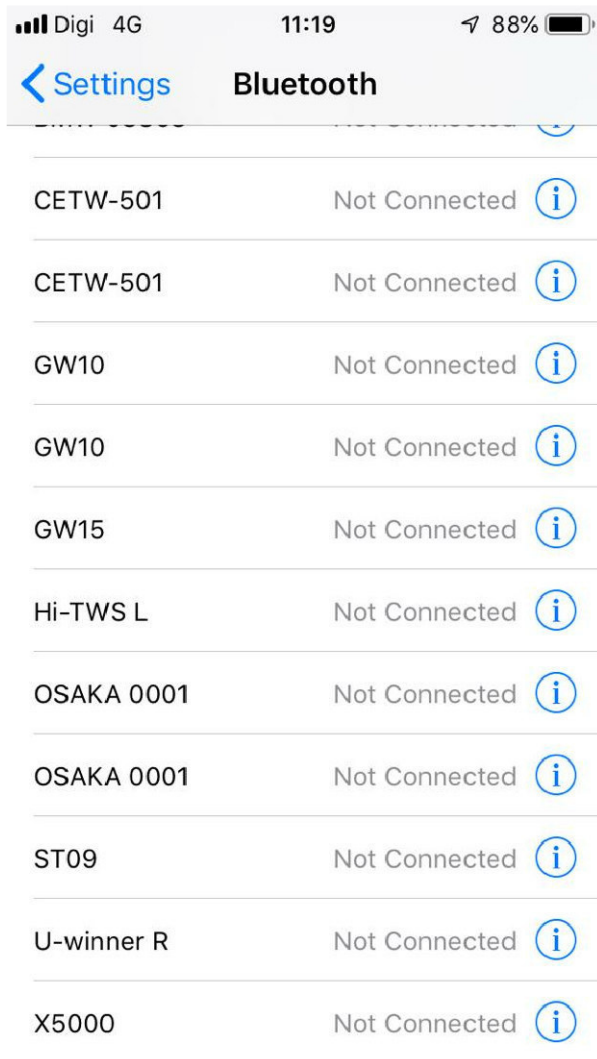
Playstore for android user



App Store for Apple user

1

- Make sure the bed is plugged in and there is power to the bed.
- Touch the On / Off switch on the beds Touchpad. The Bluetooth indicator light will illuminate.
- Turn on Bluetooth on your media device.
- Your device will show up "OSAKA 0001 to 9999" - press connect. (Is a sequence number between 0001 to 9999)
- You will hear the audio notification bleep - this confirms the Bluetooth is enabled and ready to use.



2

- Open the app and your device will appear as per figure 2.1. Then you need to "Log in" your email and password to get through to the next step (figure 2.2).
- If you didn't have the account, click "Create an Account" (figure 2.2) then follow the next step.

Figure 2.1

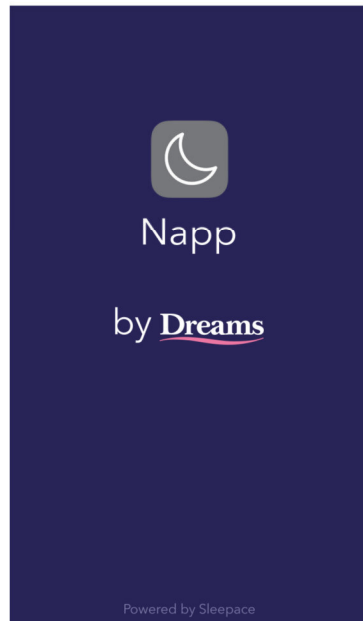
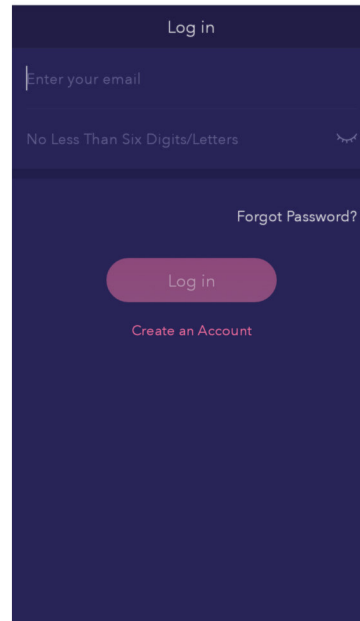


Figure 2.2



3

- Please sign up your valid email address and password. Check the box (I agree with the Dreams Napp License Agreement) then click "Sign Up".
- Follow the instruction and click "Done".

Figure 3.1

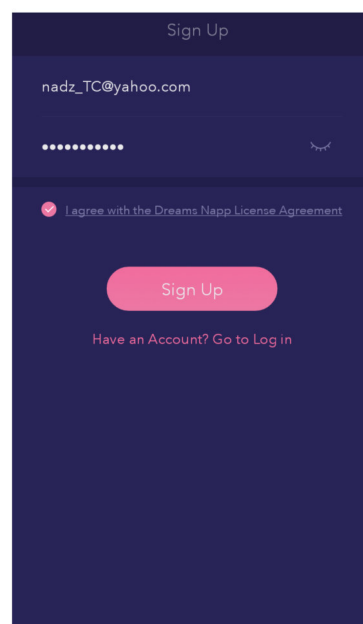
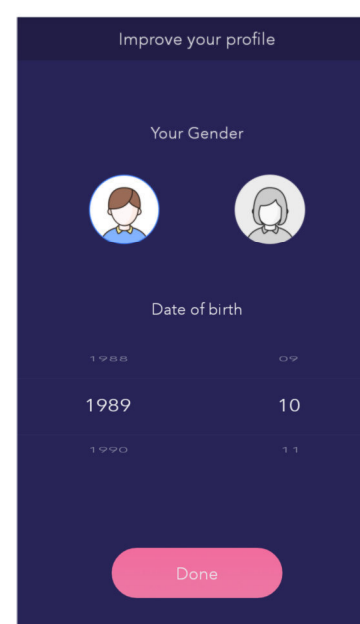


Figure 3.2



4

- Then click "I Want to Add Device".
- Next click at "Add Device".
- After that, scroll down - at the Tech Beds features click "Osaka TV Bed".
- It will show "Install Osaka TV Bed". Make sure your bed is plugged in and switch on the power.
- Then click "Continue".

Figure 4.1

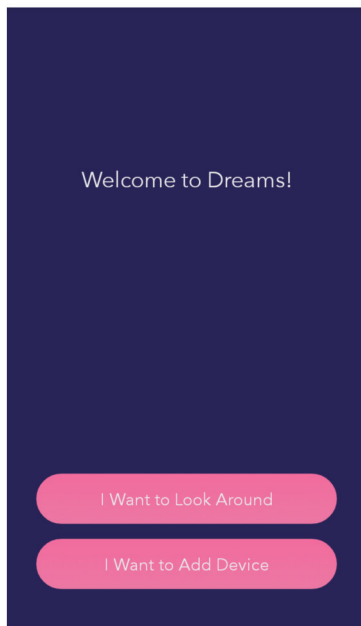


Figure 4.2

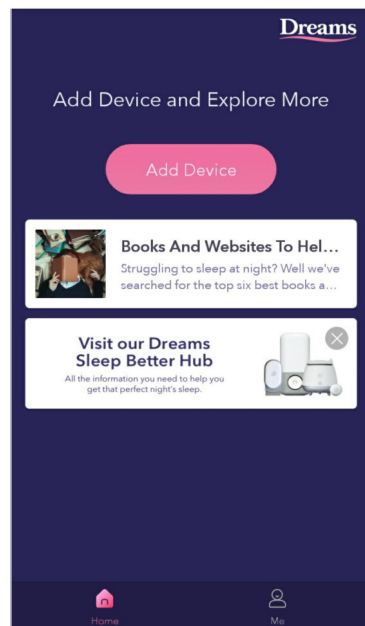


Figure 4.3

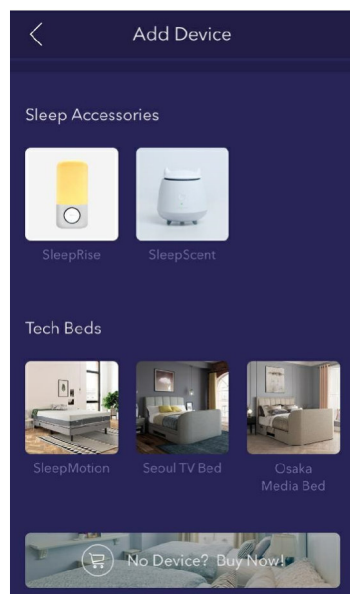
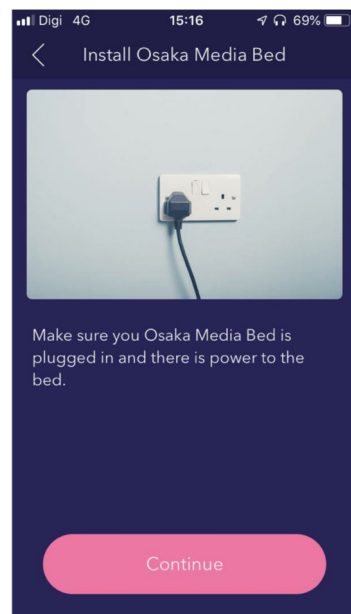


Figure 4.4



5


- Once your device is added successfully, click "Start Navigating". (figure 5.1)
- Control interface will appear (figure 5.2) and start connecting. Then it will automatically connect with your media. (figure 5.3)
- To make sure your device is connected to the media, click on Setting  and it will show "Device ID" "OSAKA_BLE 0001 to 9999". (figure 5.4) (Is a sequence number between 0001 to 9999)

Figure 5.1

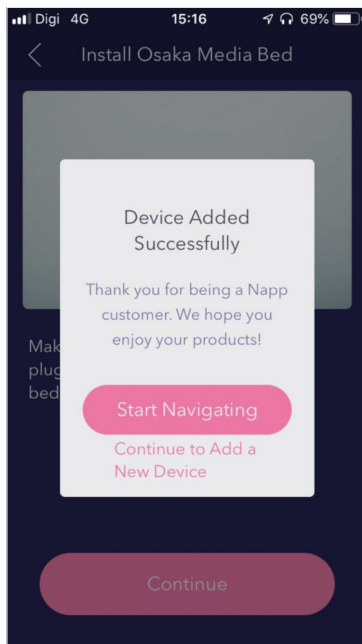


Figure 5.2

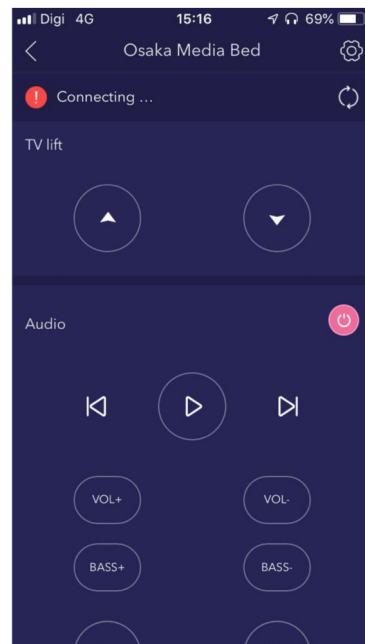


Figure 5.3

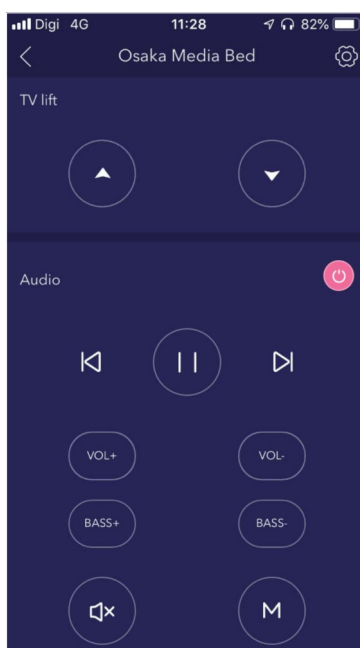
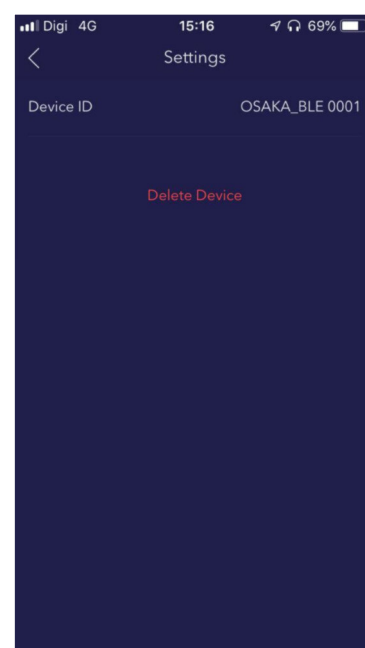
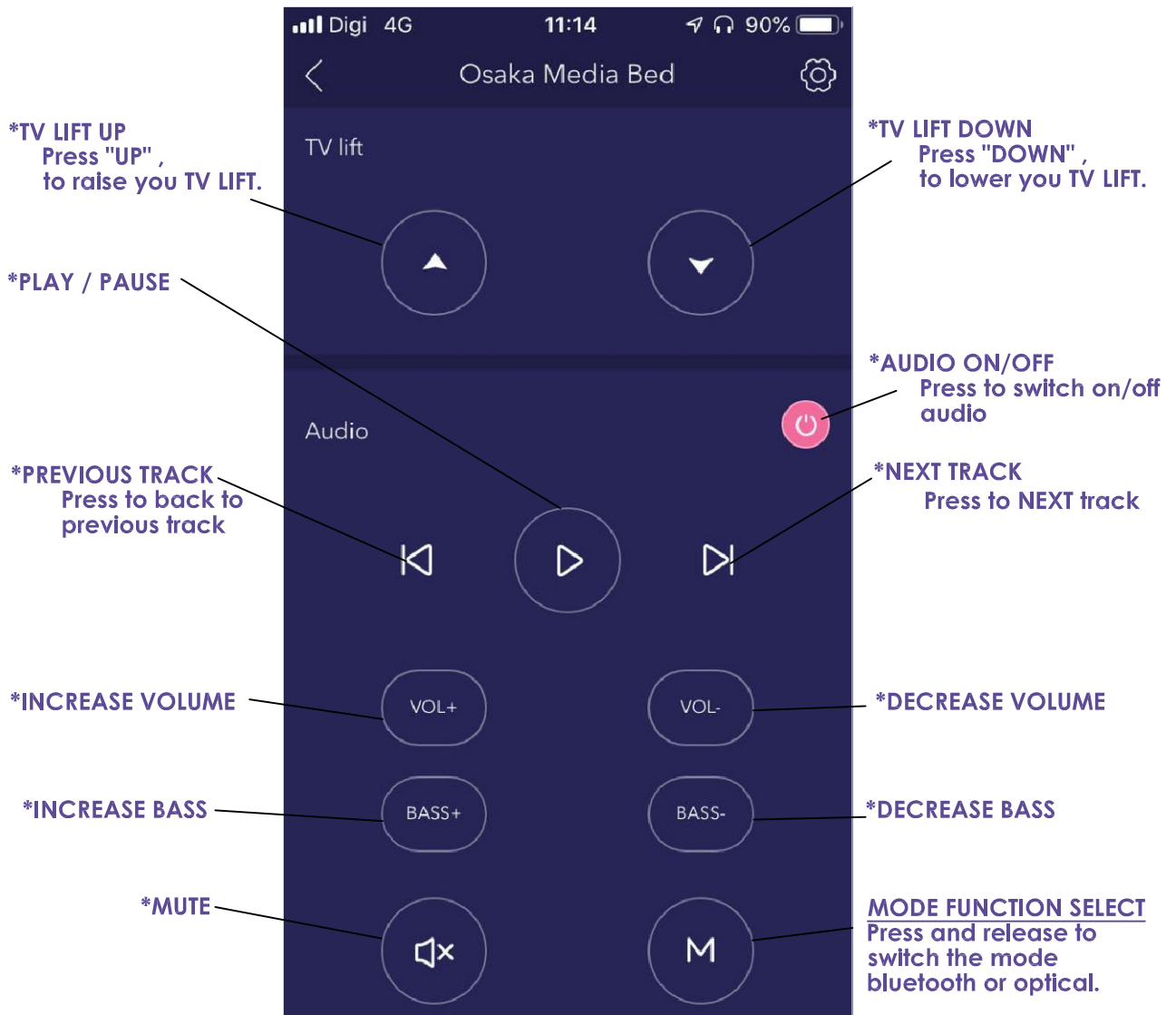


Figure 5.4



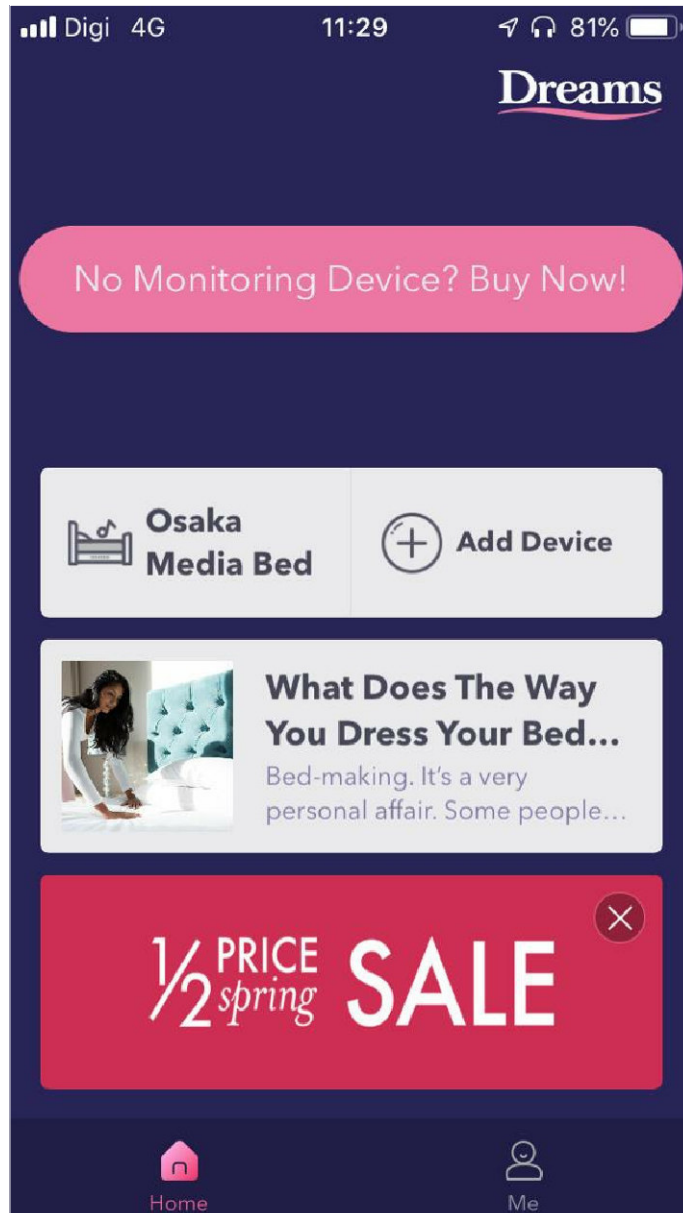
6

- Now you can simply use your devices music player to play audio files - ENJOY.



7

- Once you Log Out the application and you want to connect back again, it is not necessary to add your device again.
- Just click at "Osaka Media Bed" and it will show the control interface. Refer figure 5.3.



Care and maintenance

Here are some tips to keep your new bed in tip-top condition



Cleaning

To clean your new bed, we'd advise using a warm damp cloth - please do not use abrasive chemicals or bleach as this may damage the product.



Checking and moving

Periodically we recommend you check that the screws or fixtures haven't become loose, over time. To move your new bed, we recommend lifting it where possible, as dragging or pushing it could cause damage to your flooring.



Wood

Please note each of our wooden pieces are unique, meaning that markings and shade can vary slightly between beds. Over a period of time, the wood might lighten or fade slightly due to light exposure.



Fabric

Please note depending on the lighting, positioning and surroundings of your room, the shade of the colour can sometimes appear slightly different. Over a period of time, the colour might lighten or fade slightly due to light exposure.



Metal

Metal tends to be more resilient to everyday wear and tear. We recommend to gently dust your metal furniture and keep it dry to maintain its look.

Thank you for shopping with us - we hope you have a great night's sleep

Sleep well

EU Declaration of Conformity

UKCA CE

Product model: OSAKA OTTOMAN TV BED

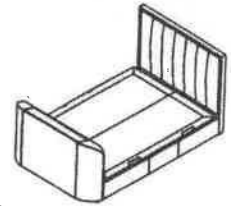
1. Product destination : Dreams-UK
2. Name and address of the manufacturer or his authorised representative:

BSSB FURNITURE SDN BHD
LOT NO.8962, JALAN UDANG GALAH,
TELOK GONG, 42000 PORT KLANG,
SELANGOR DARUL EHSAN, MALAYSIA.
TEL : 603 3134 1278
E-mail : Admin@bssbfurniture innovation.com

3. This declaration of conformity is issued under the sole responsibility of the manufacturer.

4. Object of the declaration:

Equipment: TV MEDIA & STORAGE BED
Brand Name: BSSB FURNITURE
Model / type: OSAKA OTTOMAN TV BED



5. The object of the declaration described above is in conformity with the relevant Union harmonisation legislation:

LVD 2014/35/EU via MD clause 1.5.1	BS EN 60335-1 Household and similar electrical appliances. Safety. General requirements
EMC 2014/30/EU	BS EN 55014-1 Electromagnetic compatibility. Requirements for household appliances, electric tools and similar apparatus. Emission BS EN 55014-2 Electromagnetic compatibility. Requirements for household appliances, electric tools and similar apparatus. Immunity
RoHS 2011/65/EU	BS EN 50581 Technical documentation for the assessment of electrical and electronic product with respect to the restriction of hazardous substances.
MD 2006/42/EC	There is no dedicated Standard related to this type of product, therefore within the hierarchy of compliance this product must comply with all the clauses within the Machinery Directive. The following Standards will support compliance with the clauses in Annex I and can be referred to in the Technical File to further justify compliance. BS EN 1725 Domestic furniture. Beds and mattresses. Safety requirements and test methods BS EN ISO 12100 Safety of machinery. General principles for design. Risk assessment and risk reduction BS EN 349 Safety of machinery - Minimum gaps to avoid crushing of parts of the human body

6. References to the relevant harmonised standards used of references to the other technical specifications in relation to which conformity is declared:

Product code: TV-G4.02(WK), Product name: Mechanism

EMF(LVD+EMC) for mechanism:

EN 55014-2; EN 55014-1; EN 61000-3-3; EN 61000-3-2; EN 60335-1; EN 62233

MD for mechanism:

EN ISO12100

Product code: EM-G1/2.1-APP, Product name: Audio System

LVD+EMC:

EN 60065; EN 55032; EN 55035; EN 61000-3-2; EN 61000-3-3

RED (LVD+EMC+RADIO) for 2.4GHz controller:

EN 301489-17; EN 300328; EN 62479; EN 301489-1; EN 62368-1

Signed for and on behalf of:

MIKE LIM

QC/QA MANAGER
BSSB Furniture (M) SDN BHD

DIONG KAH CHEN

DEVELOPMENT MANAGER
BSSB Furniture (M) SDN BHD



Little dreamers

Keep the little ones entertained while you assemble your new purchase.



Dreams