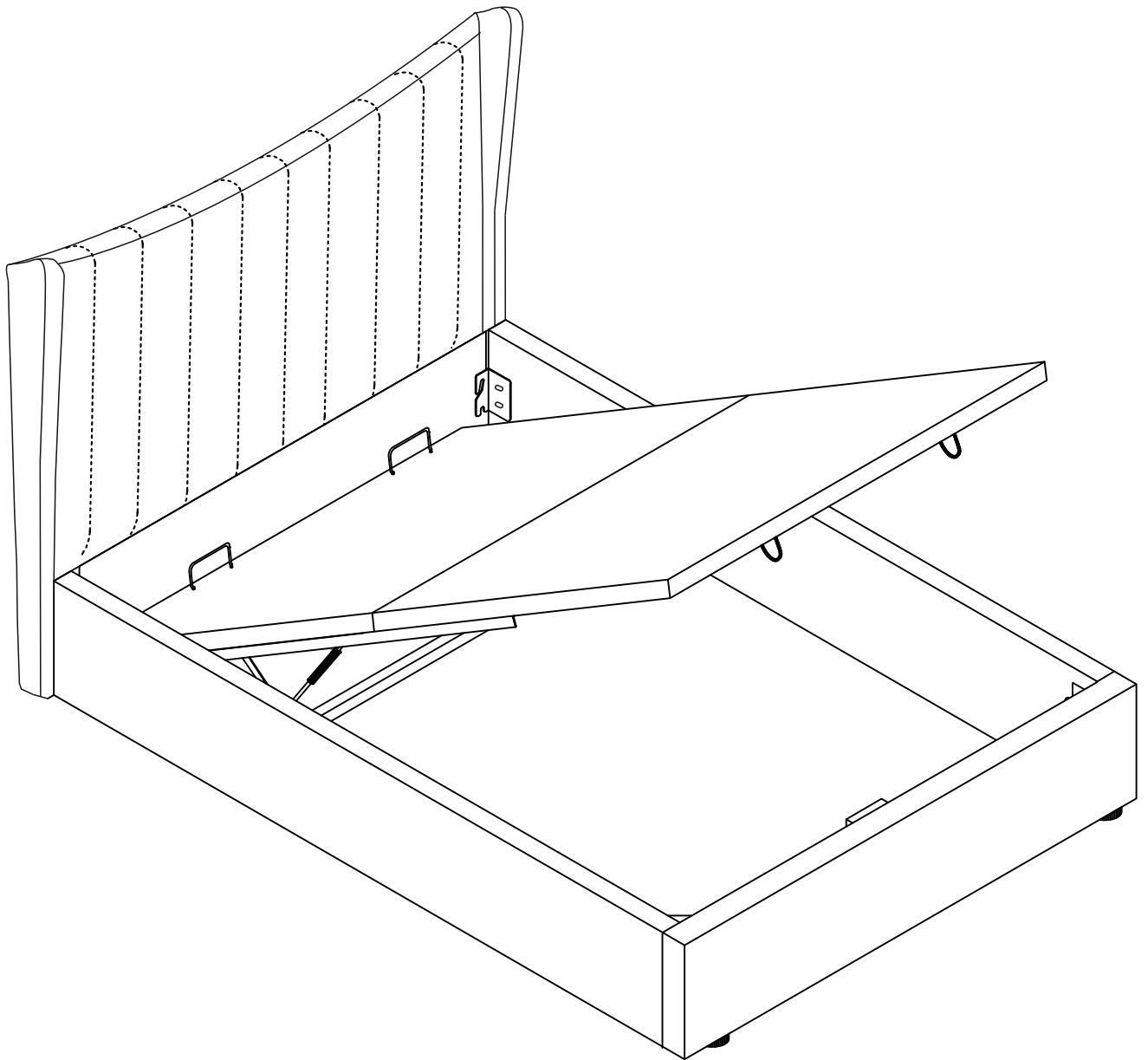


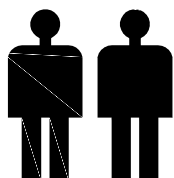
ASSEMBLY & Care Instructions

Octavia-D Boarded Top Gas Lift Frame

(135 - 150 - 180 cm)



Scan to download the setup video instructions.



TWO PERSONS HANDLING



1 hour approx assembly time

Rev. Date: 19.09.2023

Dreams

Thank You

Dear Customer, Thank you for choosing to purchase your bed from Dreams - we hope it brings you your best ever night's sleep. Before you begin building your bed, please take a moment to read through the instructions and make sure that you've got all the relevant parts listed on the following pages.



Assembly tips

Before you begin, it's best to identify all parts and fittings to build your bed. We advise laying these out on the floor to check you have everything, and familiarising yourself before building.



Top tip

We recommend that you build your new bed in the room you'd like it to be located - this will help prevent any risk of damage to your newly built bed whilst moving it.



Safety and care

It's really important to ensure children and animals are kept away from the assembly area, as there are small components used in this bed which could present a choking hazard. All plastic and wrapping materials should also be kept away from children and animals to prevent any risk of suffocation. To keep your little ones busy, there is a colouring page inside the back cover.



Help and support

At Dreams, it's our mission to give the whole nation a great night's sleep - this means that the quality of our products is of utmost importance to us. If there are any issues with your product or any missing parts, please contact our Help Centre on 0800 652 6750, where a member of our team will be happy to help. (For customers based in Northern Ireland, please call 028 9050 8300)



Recycling

Please ensure that packaging is disposed of in a safe and environmentally friendly way, and recycle where possible. Our assembly instructions are printed on recycled paper. Please keep your assembly instructions safe to refer back to in the future.

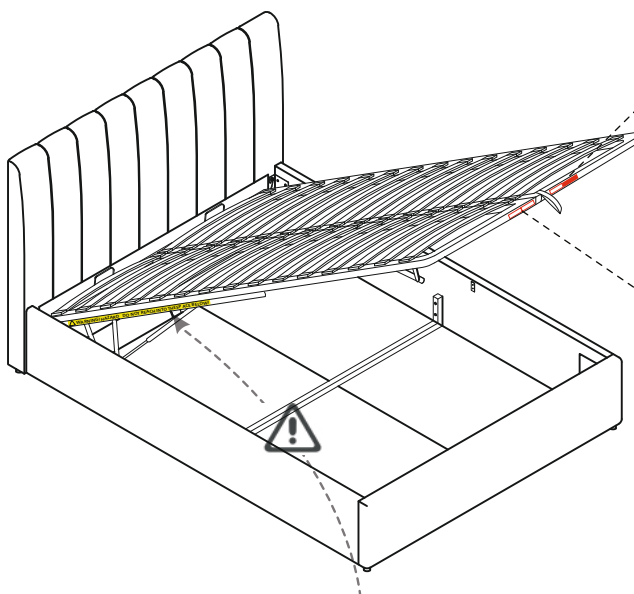
Warning

- You must ensure that the mattress is on the bed frame before operating the lift mechanism – Failure to do so could result in injury.
- Keep hands clear of the mechanism when opening or closing the ottoman.
- Beware of entrapment – Never reach in through the mechanism to access the storage area.
- Always ensure that the ottoman is FULLY opened before accessing the storage area.
- Do not exceed the maximum weight as specified in the table below:

Bed	BedSize	MinWeight (kg)	MaxWeight (kg)
OCTAVIA	Double	20	55
	King	20	60
	Super King	20	65



- Use caution when operating, always use the handle when lifting.
- Note: This bed uses a pressurised mechanism.
- To be operated by adults only
- Please ensure that children and pets are kept away from the bed when operating the lift mechanism.
- Keep children and pets away from the storage area.
- Do not overload the internal storage base.
- Do not stand inside the internal storage area of the bed.
- Before removing the mattress secure the frame to ensure it does not open unexpectedly.
- Do not attempt to lie on the mattress when the ottoman is in the raised position.
- When lifting the ottoman remove all bedding except the fitted sheet.



WARNING: ONLY USE THE HANDLE TO LIFT & LOWER THE BED FRAME TO AVOID TRAPPING FINGERS!



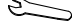




TO AVOID ACCIDENTS, TO ACCESS THE STORAGE AREA THE OTTOMAN FRAME MUST BE FULLY OPENED AND THEN FULLY CLOSED AFTERWARDS

SAFETY WARNING
PLEASE DO NOT ALLOW CHILDREN OR PETS INSIDE THE STORAGE AREA.

SAFETY WARNING
PLEASE BE CAREFUL WHEN LIFTING. ONLY LIFT WITH MATTRESS ON TOP. TO BE OPERATED BY ADULTS ONLY.

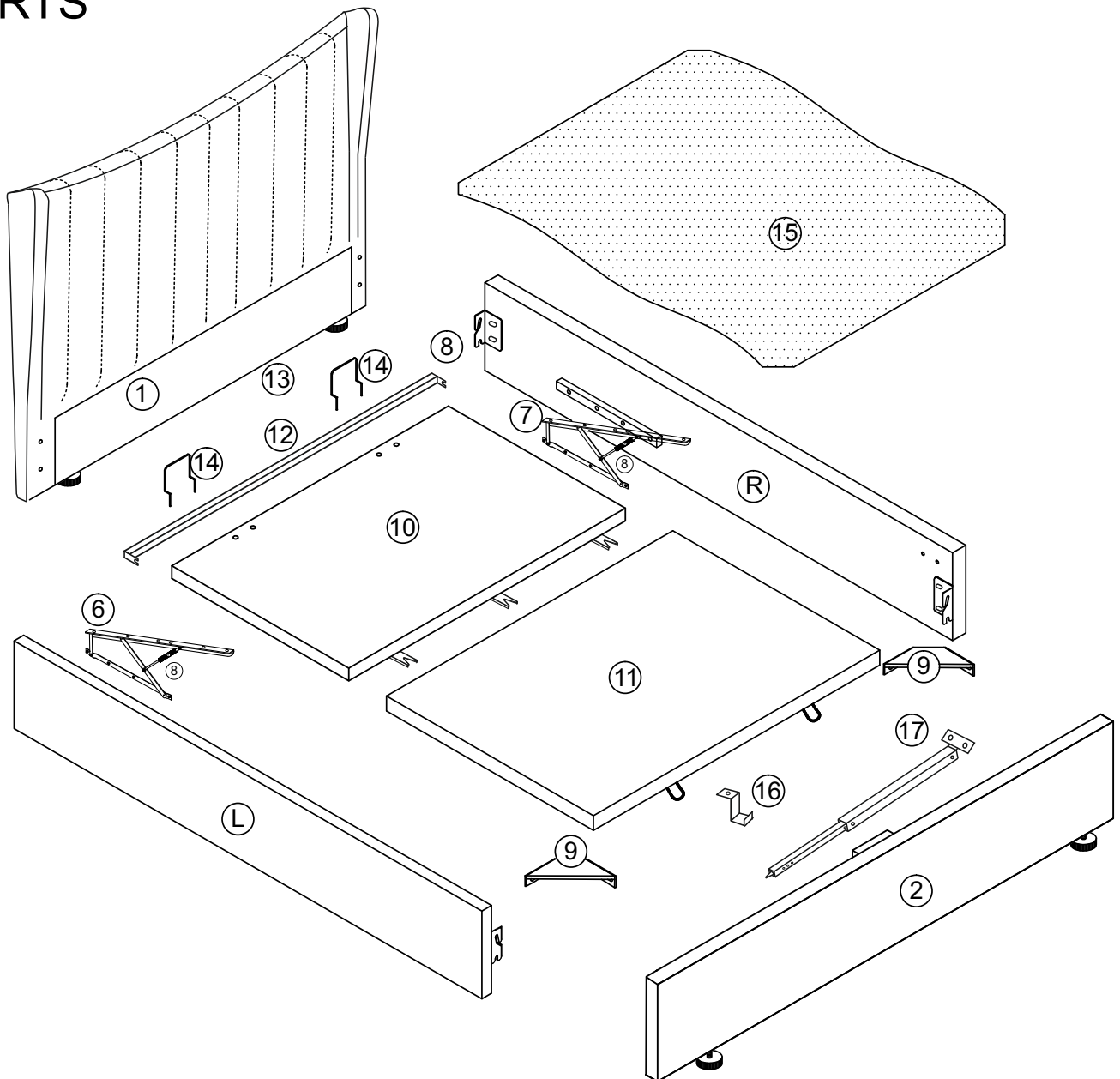
! WARNING! HAZARD-DONOTREACHINTOTHESPACEBELOW!

HARDWARE

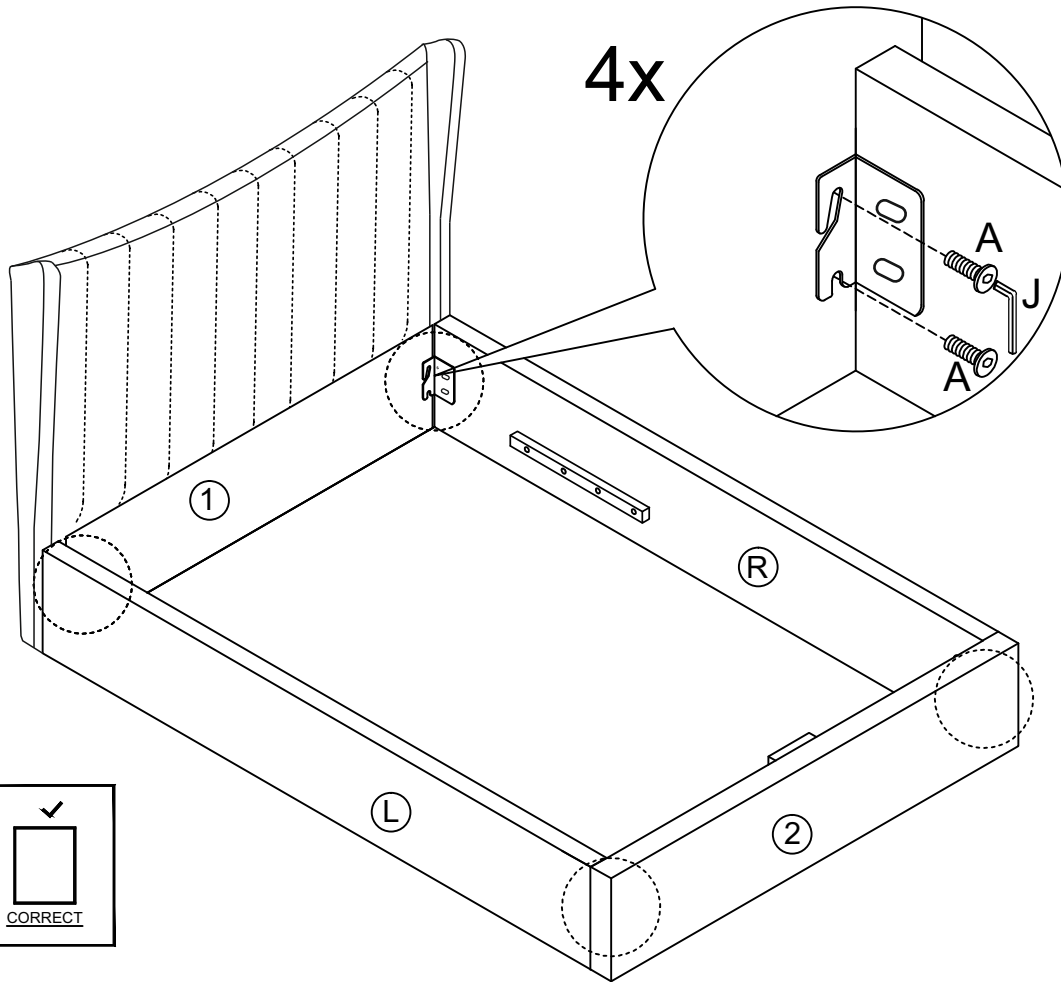
POSITION	HARDWARE	CHARACTER	ICON	135x190	150x200	180x200
HARDWARE BAG	5 mm ALLEN KEY	J		1	1	1
EACH IN TO POSITION	FLAT WASHER (LARGE)	I		8	8	8
HARDWARE BAG	SPANNER	K		1	1	1
EACH INTO POSITION	CHECK NUT	F		4	4	4
EACH INTO POSITION	M8x25	A		30	30	30
EACH INTO POSITION	M8x50	B		16	16	16
EACH INTO POSITION	M8x70	D		10	10	10

All of the M8 bolts are already fitted in to positon.

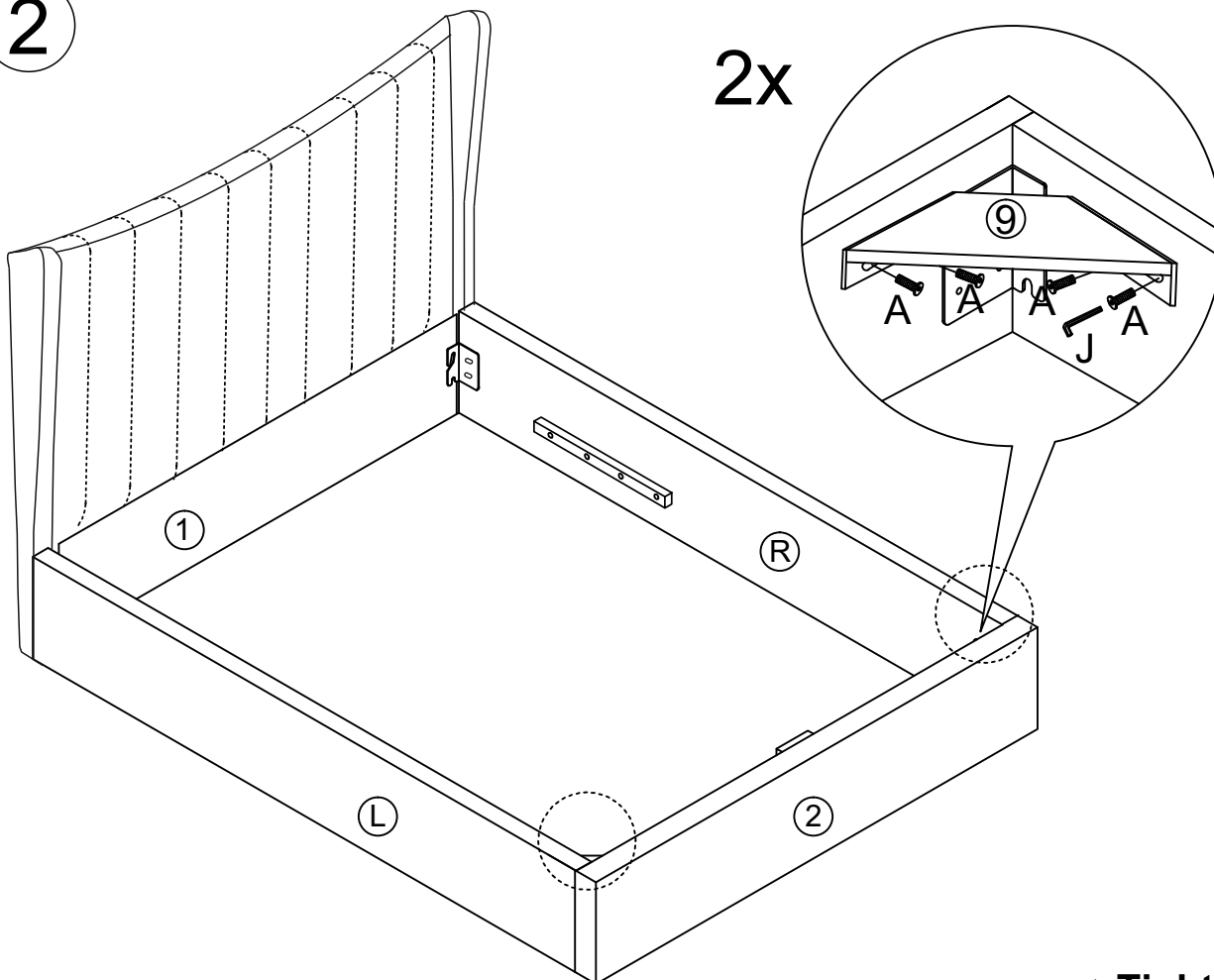
PARTS



1

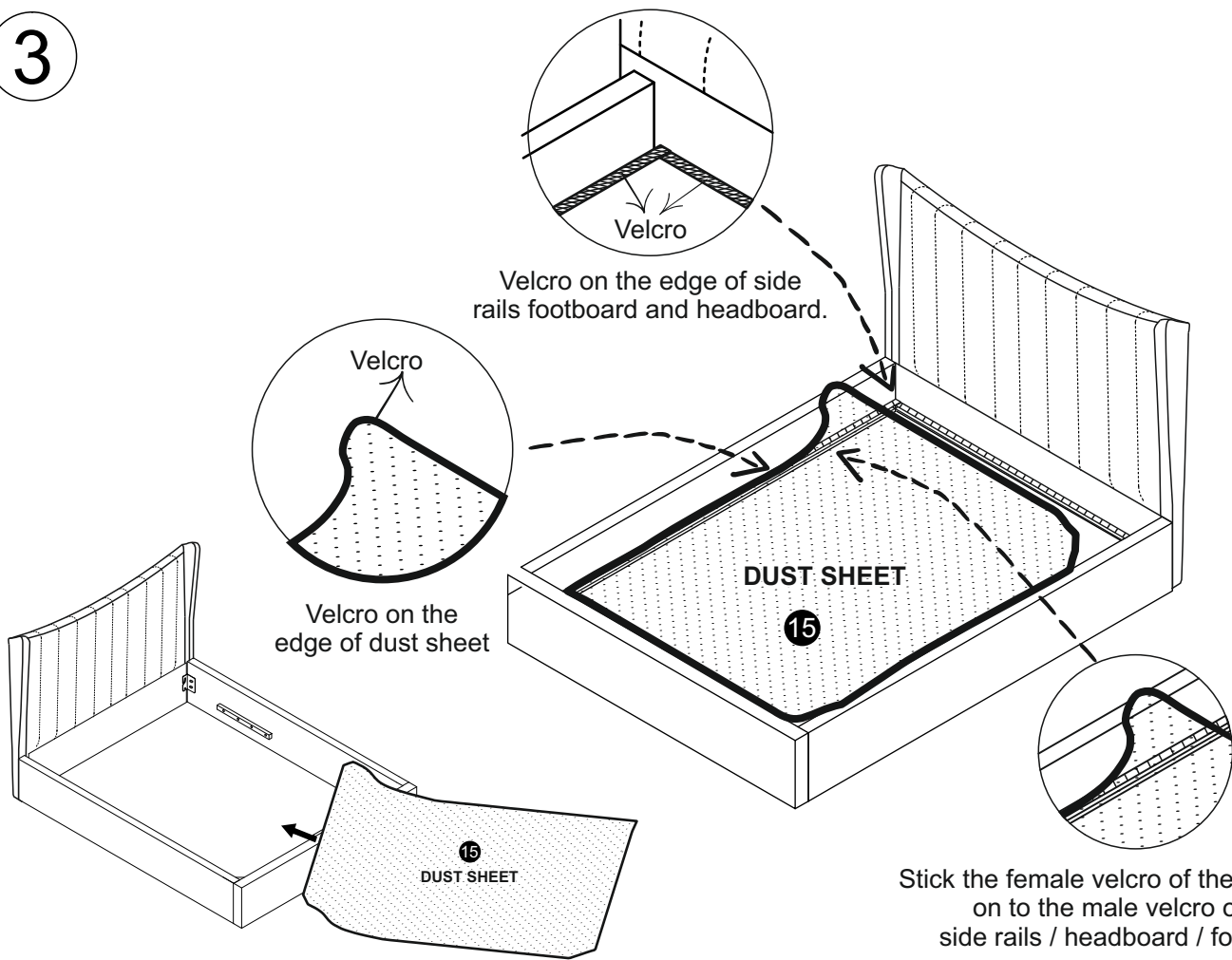


2

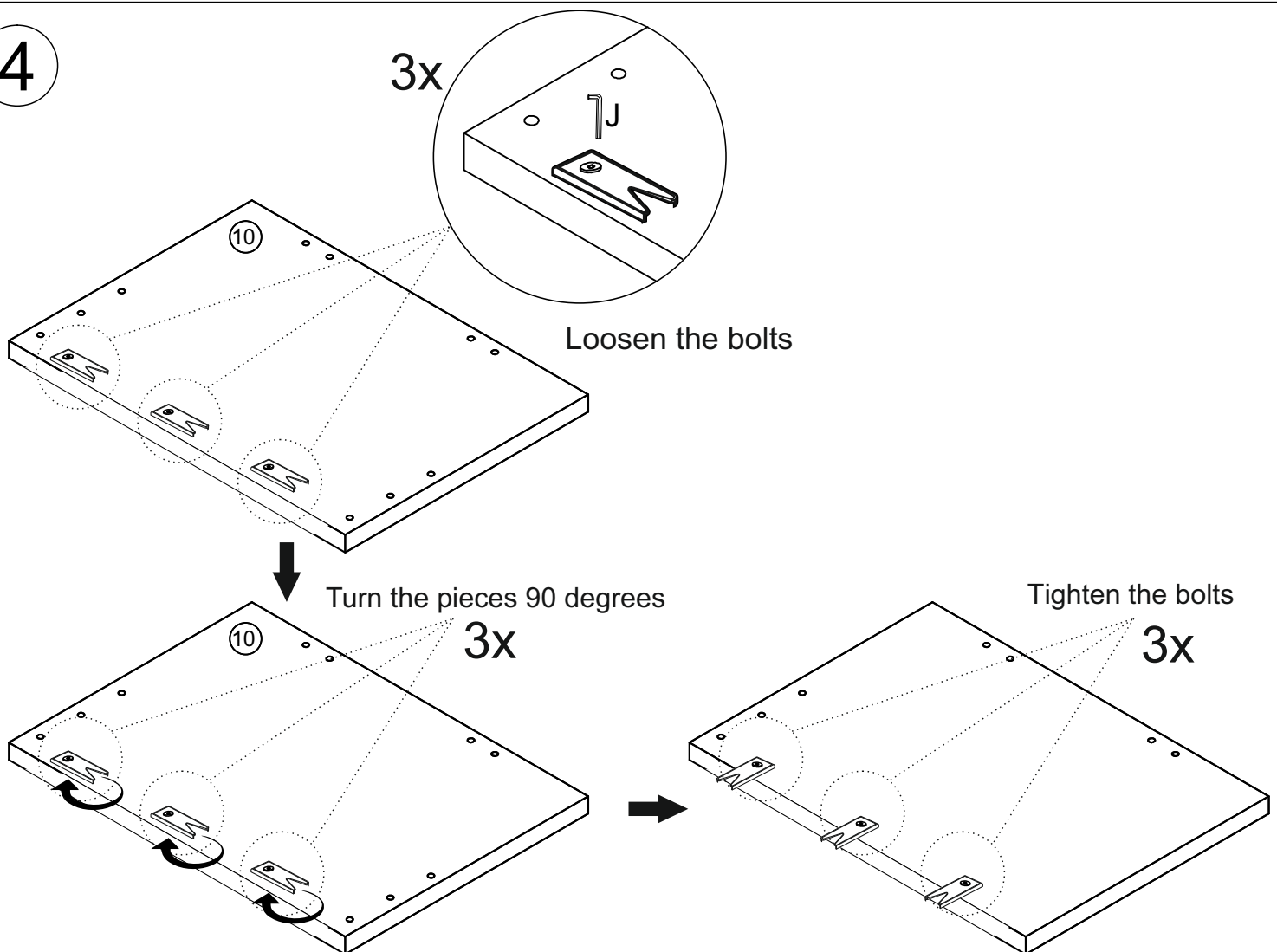


◆ Tighten all bolts

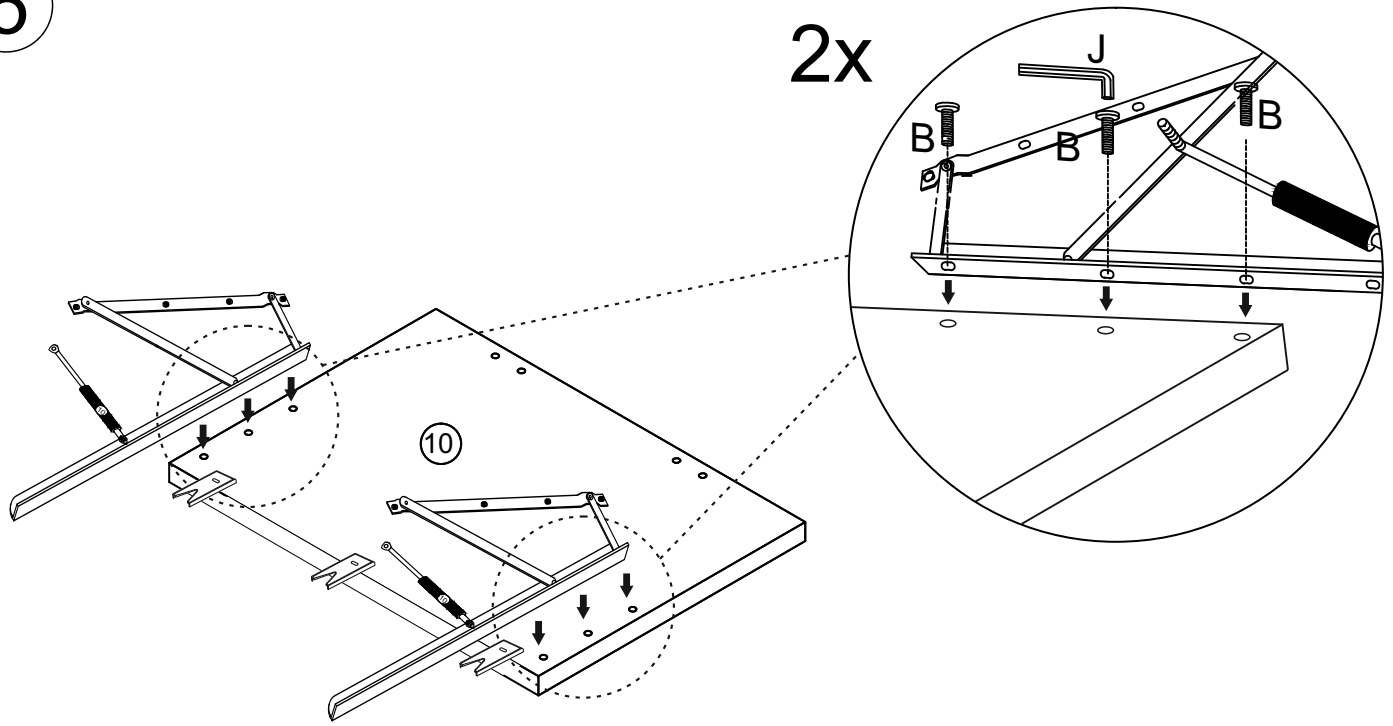
3



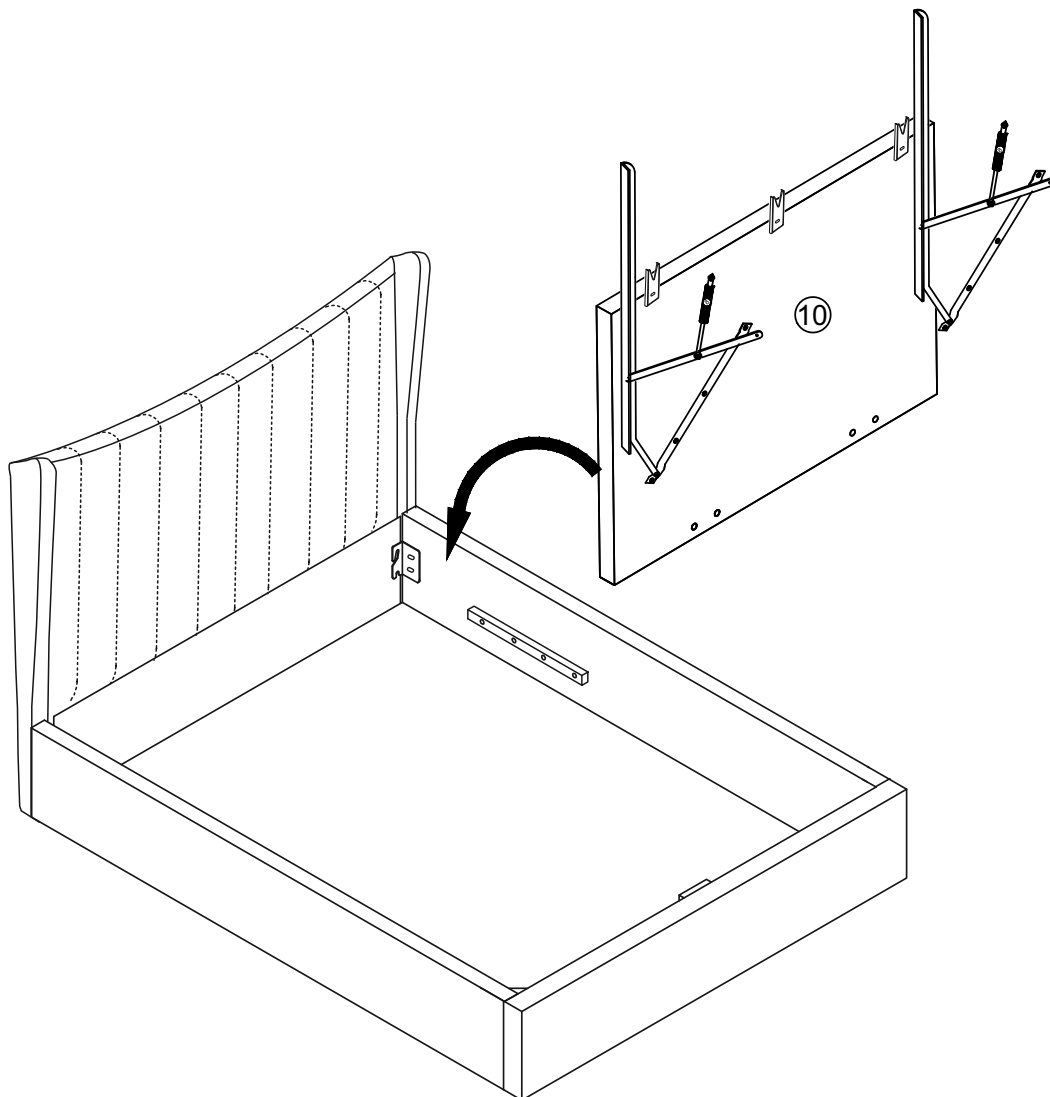
4



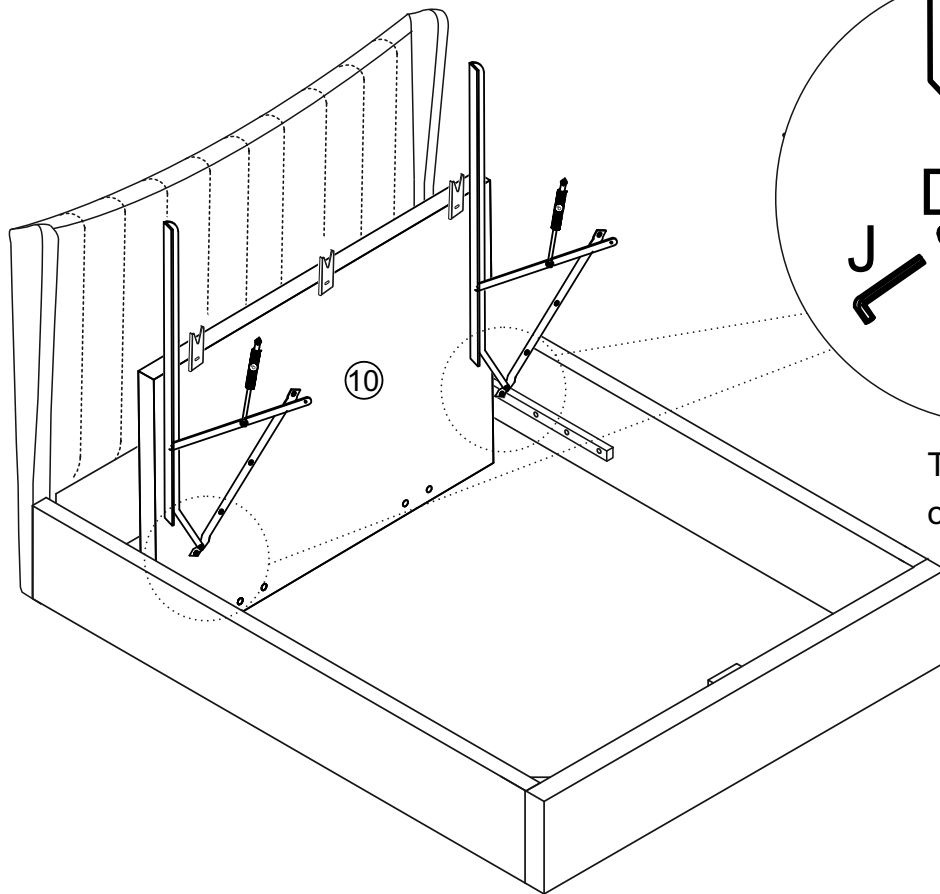
5



6

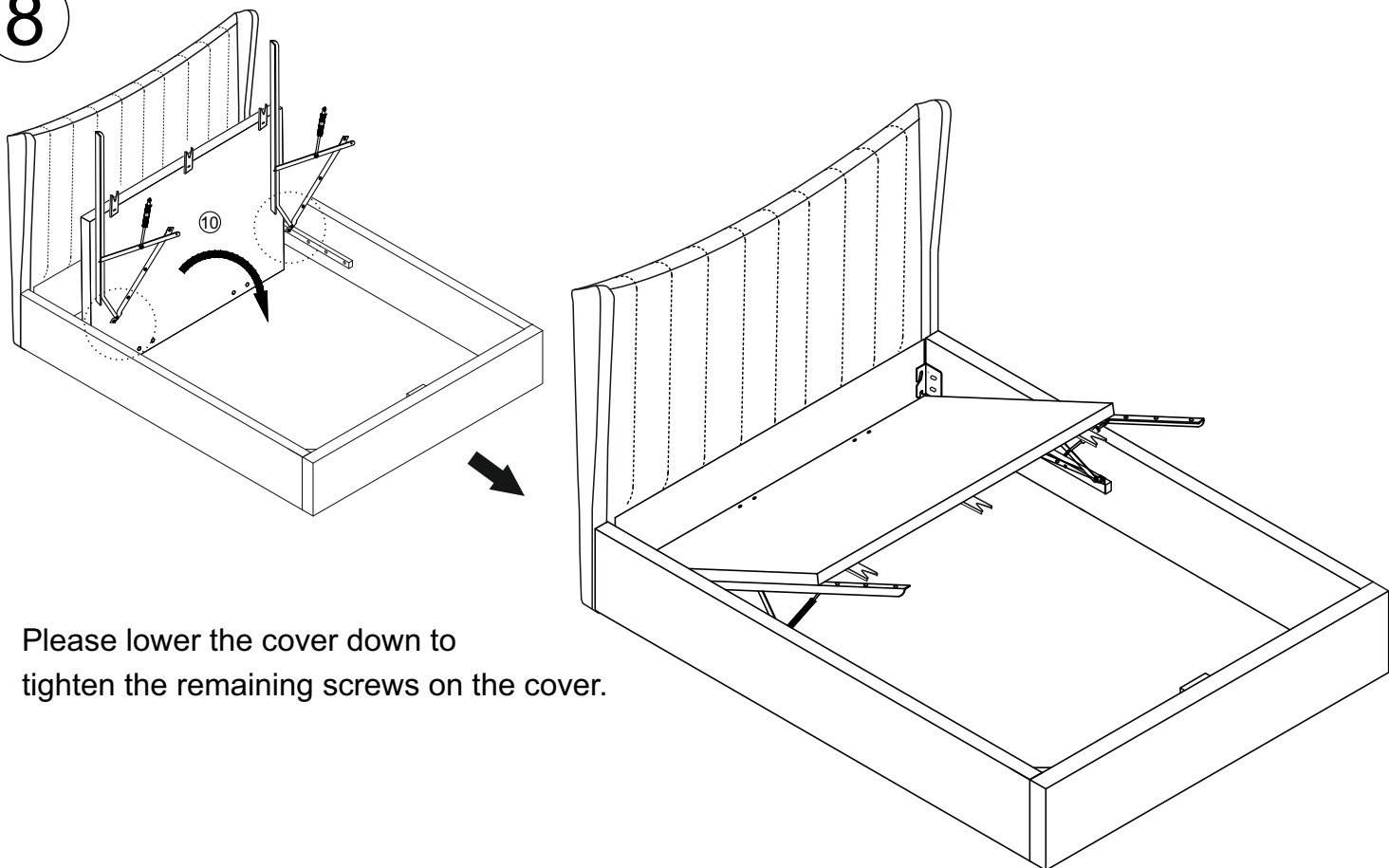


7



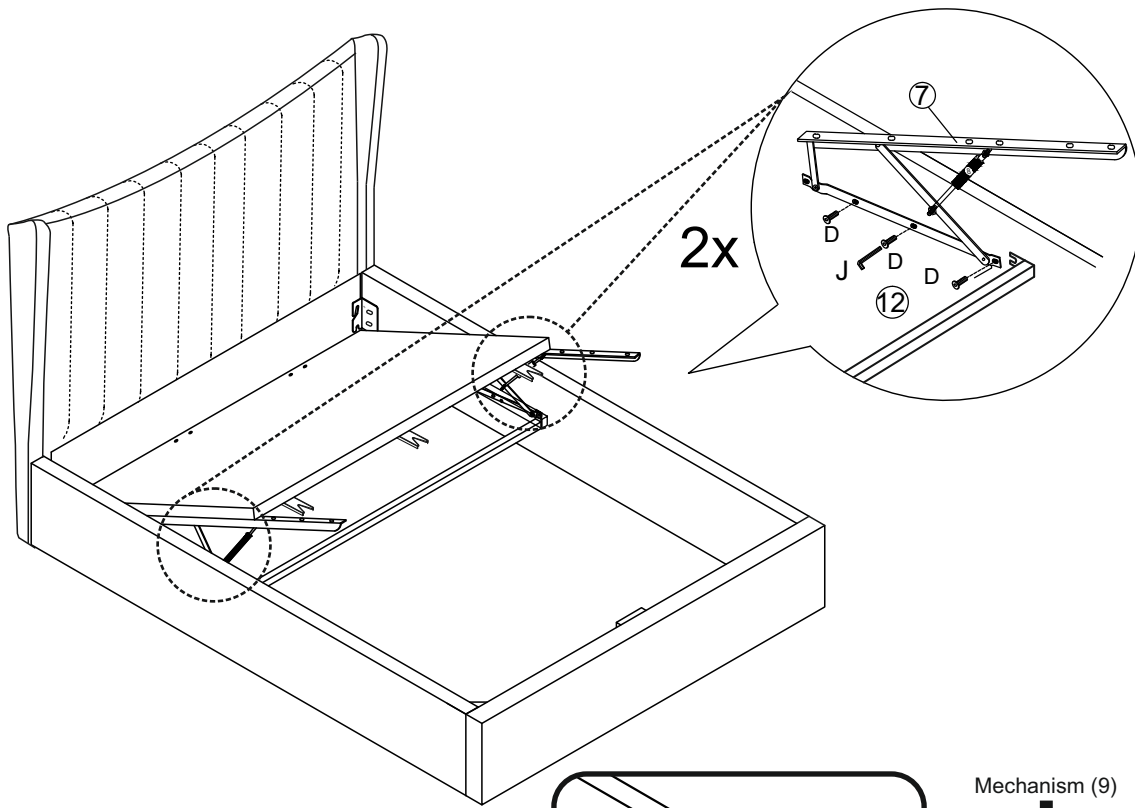
Tighten the first screws
of the two sides

8

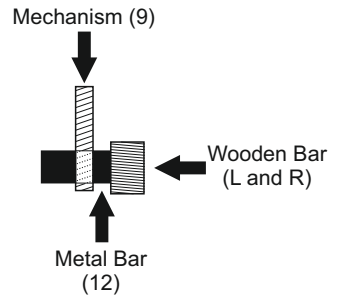
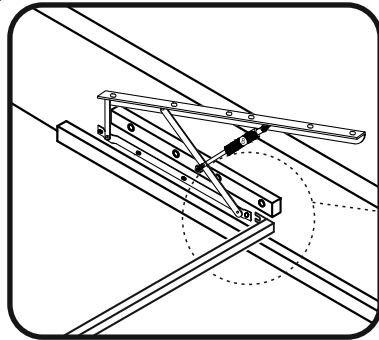
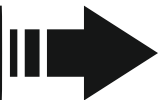


Please lower the cover down to
tighten the remaining screws on the cover.

9



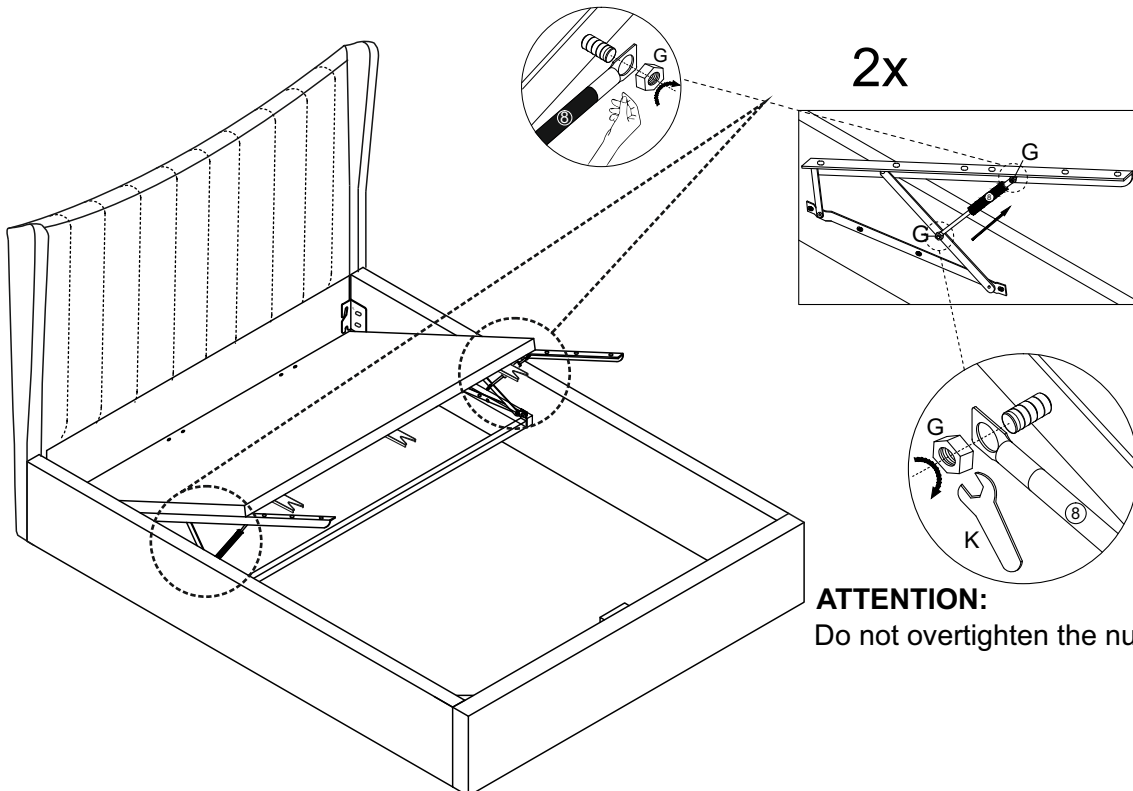
Metal support bar must be inserted between piston arm and side rail.



10

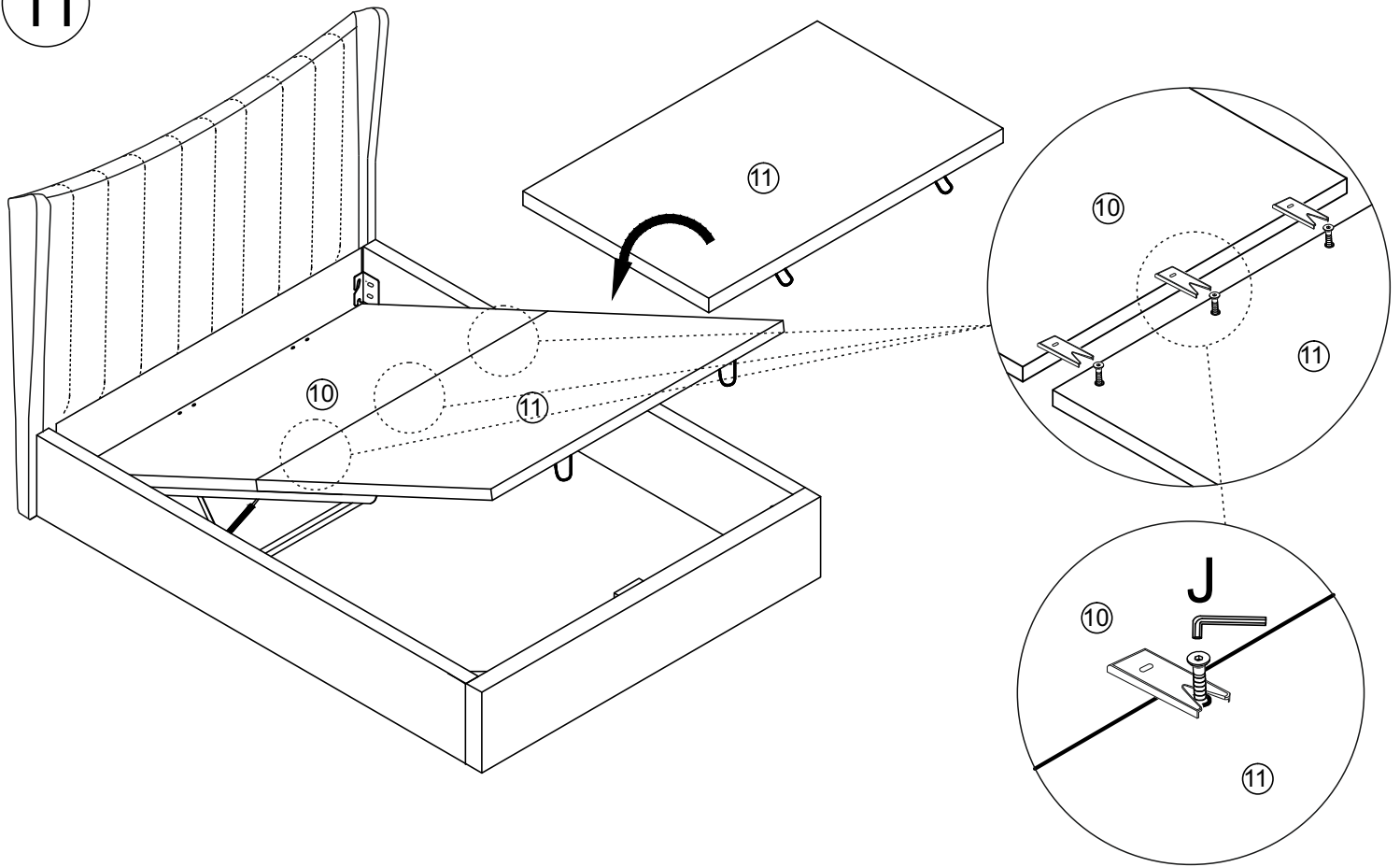
ATTENTION: THE PISTON MUST BE FITTED WIDE END TO THE TOP as shown in the Assembly instruction

IMPORTANT NOTE
The gas piston bolt needs to be unscrewed and piston removed to screw the bolts in to place.



ATTENTION:
Do not overtighten the nuts.

11



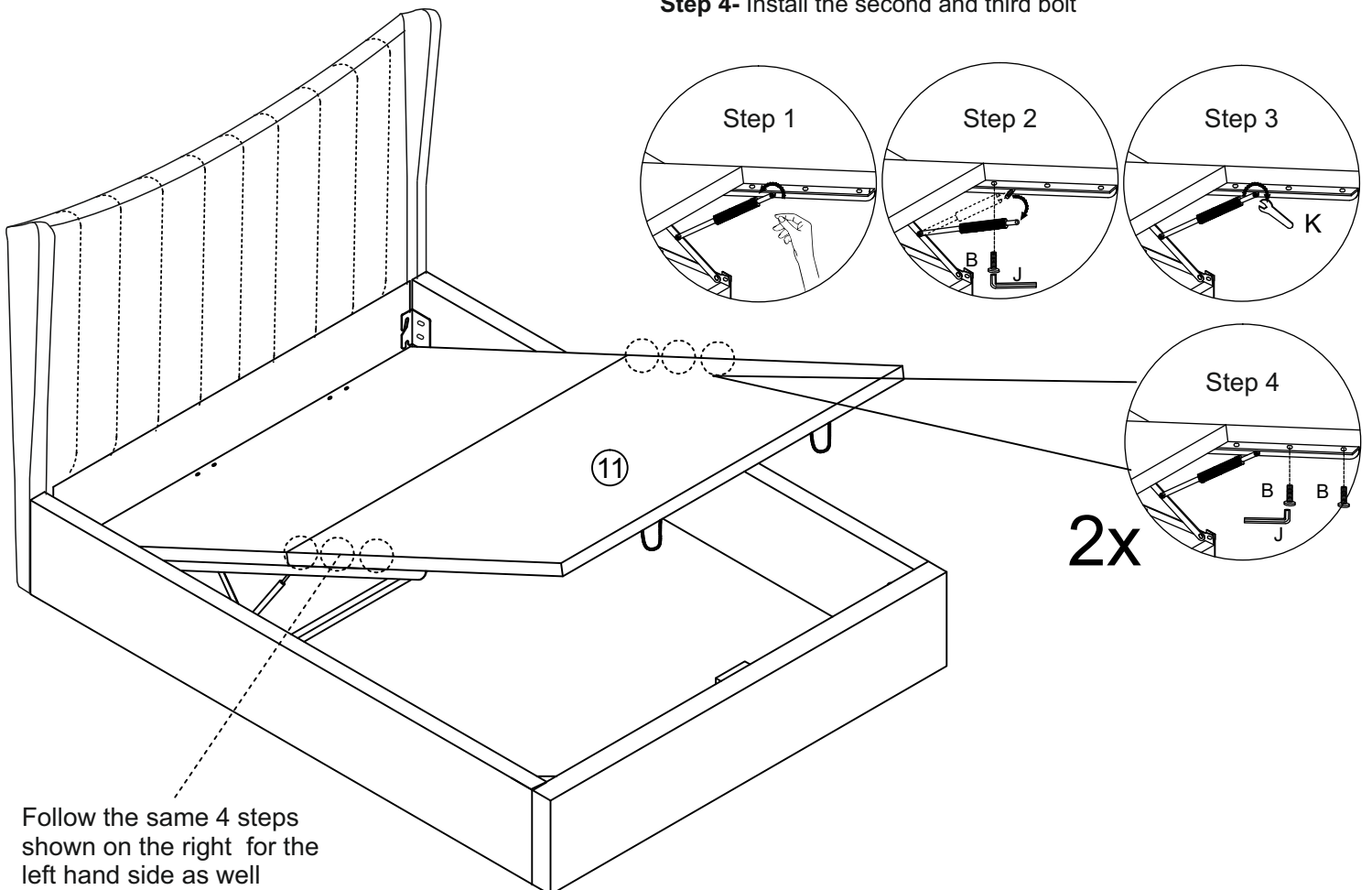
12

Step 1- Loosen and take the nut out and take the piston out of bolt

Step 2- Insert the first bolt B into hole and tighten

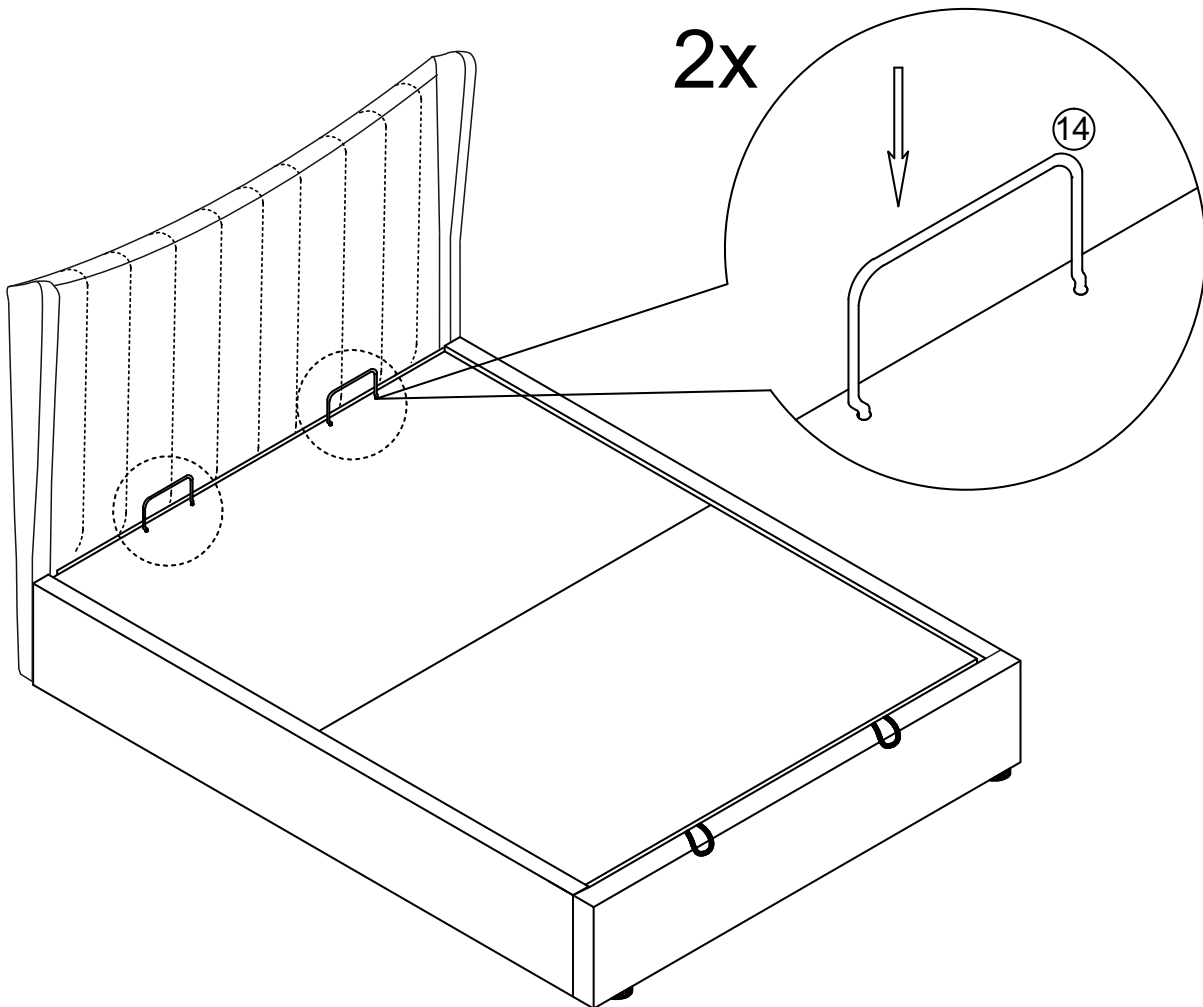
Step 3- Install the nut and tighten it

Step 4- Install the second and third bolt

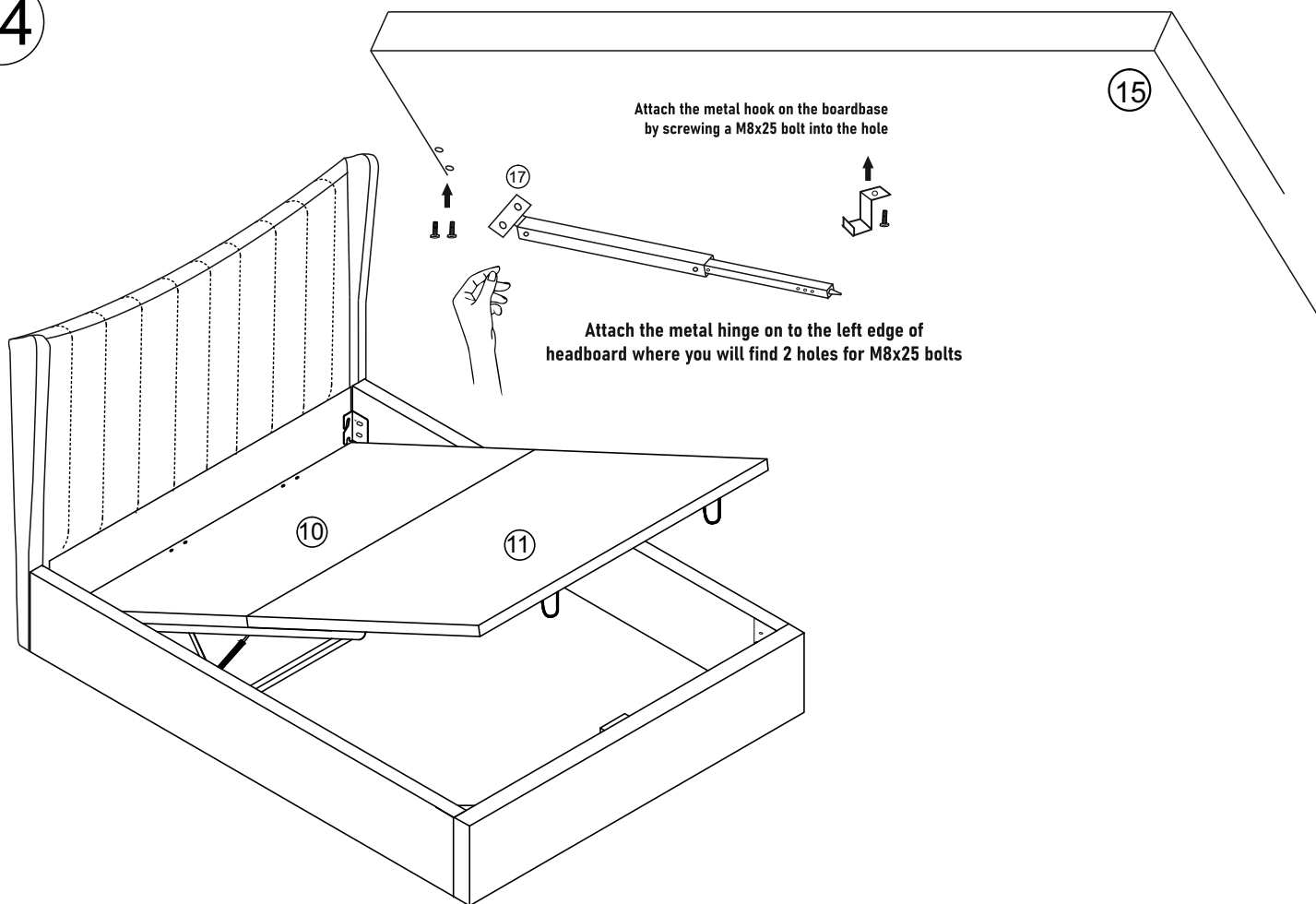


Follow the same 4 steps shown on the right for the left hand side as well

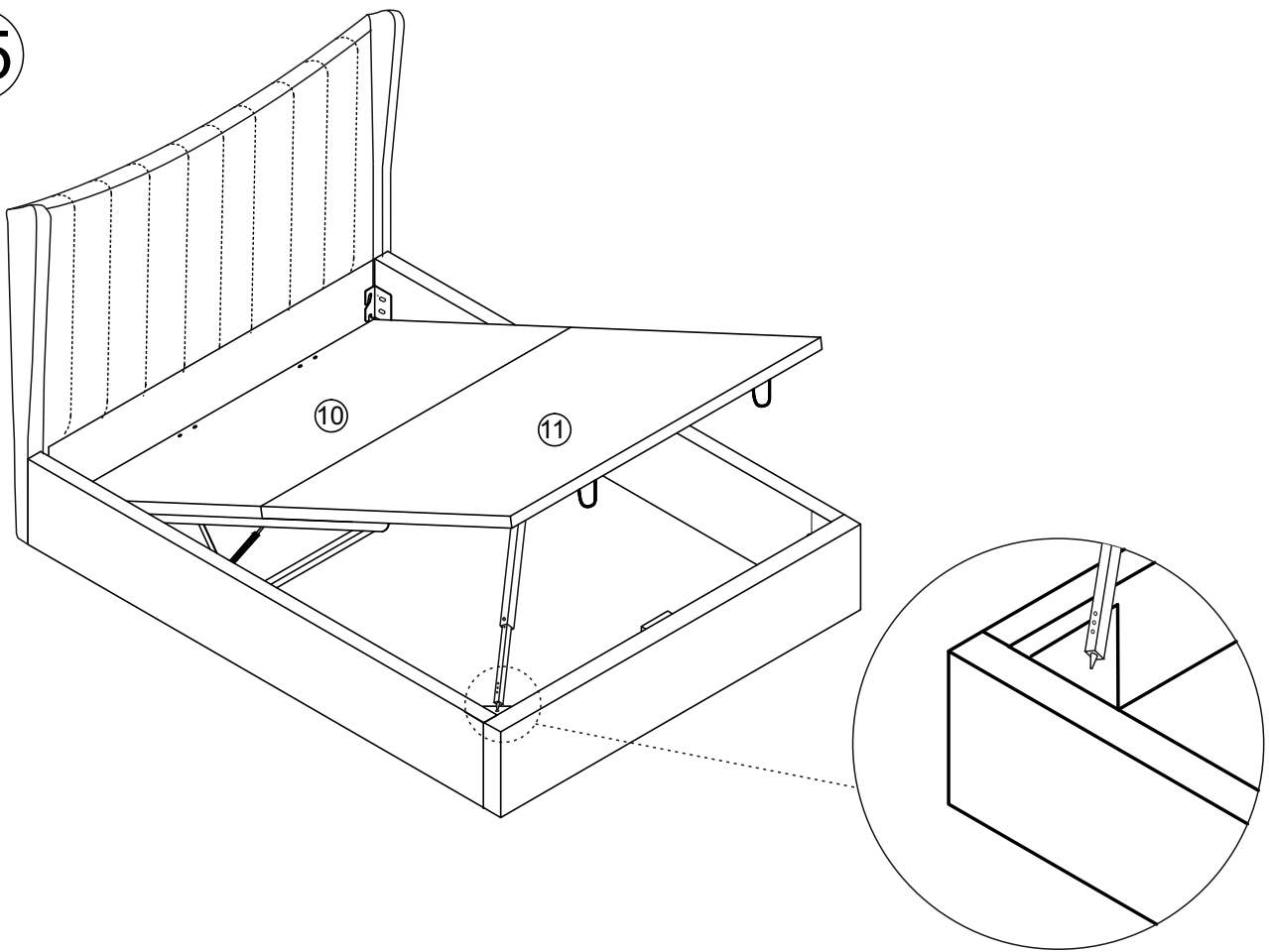
13



14

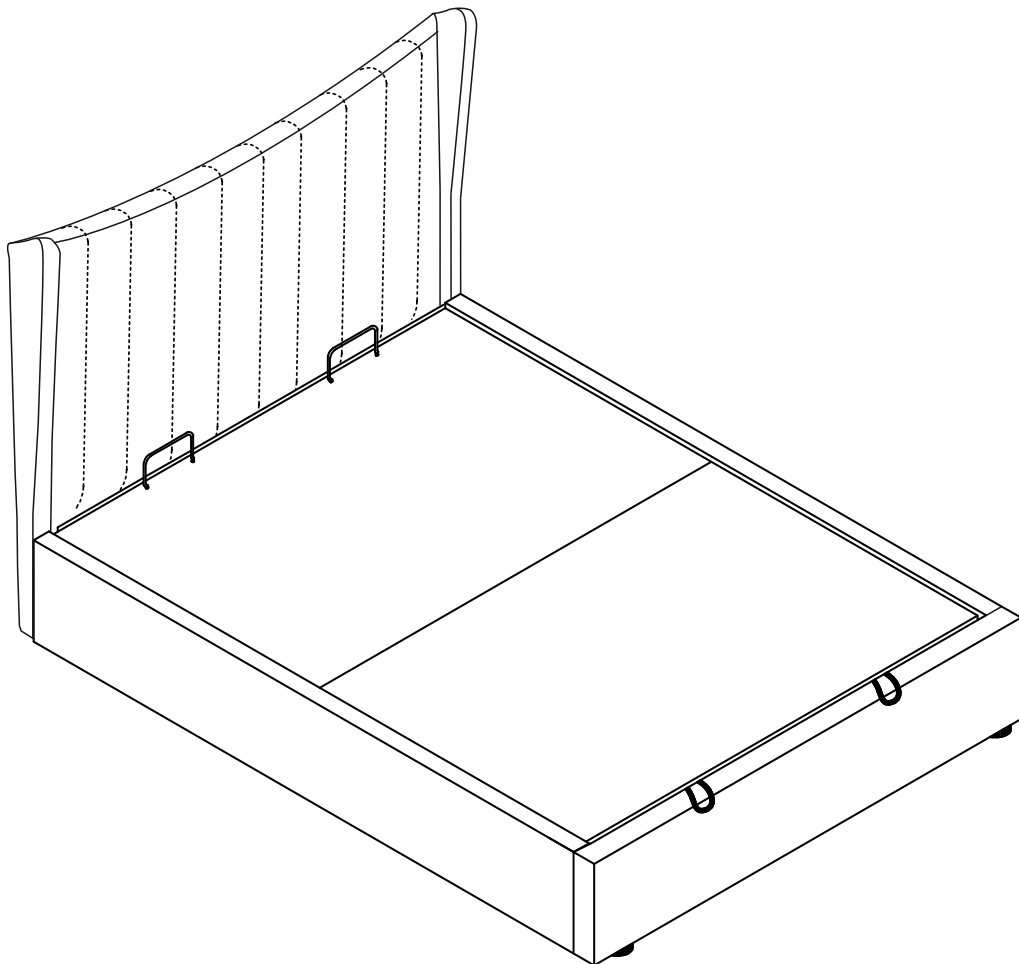


15

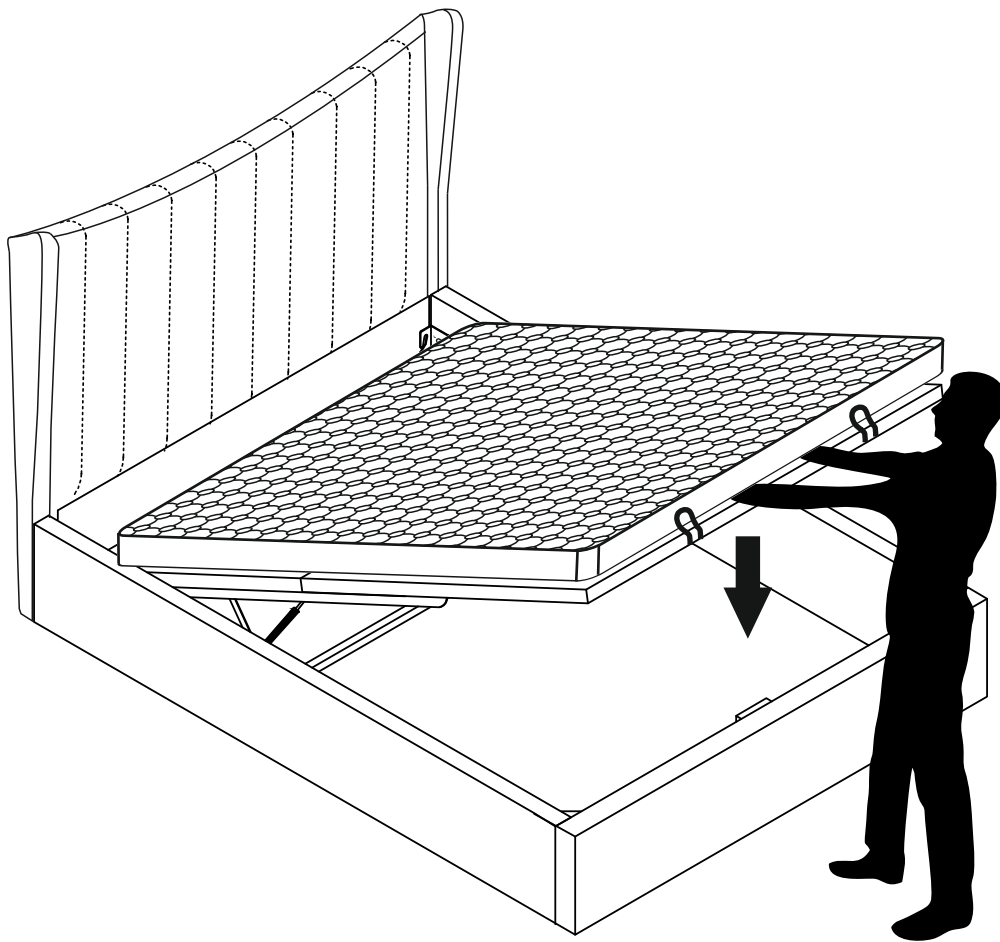


Fix the metal tube to the slot as in the picture.

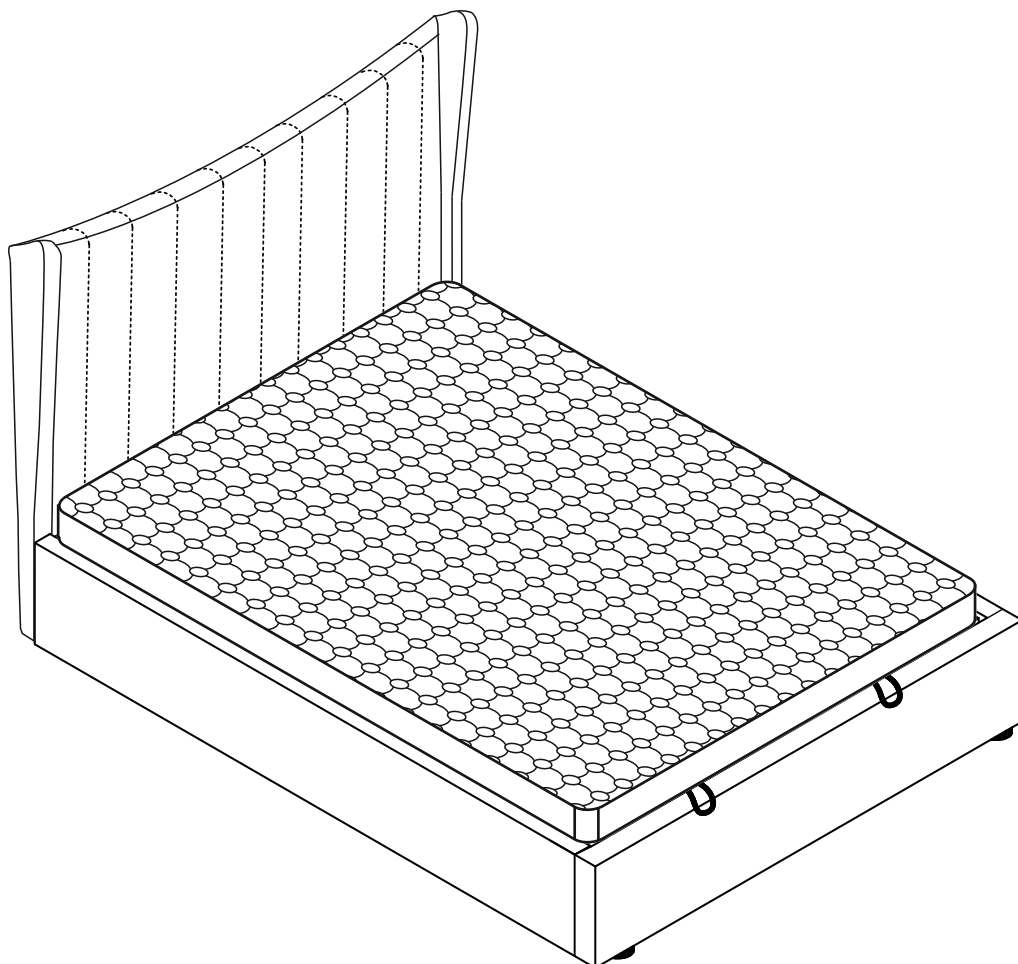
16



17



Ensure handles are in the position upwards when lowering the ottoman



Care and maintenance

Here are some tips to keep your new bed in tip-top condition



Cleaning

To clean your new bed, we'd advise using a warm damp cloth or if fabric, remove dust using a low suction vacuum cleaner. Please dry-clean the pillows if it is necessary to clean them.

Please do not use abrasive chemicals or bleach as this may damage the product.



Checking and moving

Periodically we recommend you check that the screws or fixtures haven't become loose over time. To move your new bed, we recommend lifting it where possible, as dragging or pushing it could cause damage to the legs or flooring.



Wood

Please note each of our wooden pieces are unique, meaning that markings and shade can vary slightly between beds. Over a period of time, the wood might lighten or fade slightly due to light exposure.



Fabric

Please note depending on the lighting, positioning and surroundings of your room, the shade of the colour can sometimes appear slightly different. Over a period of time, the colour might lighten or fade slightly due to light exposure.



Metal

Metal tends to be more resilient to everyday wear and tear. We recommend to gently dust your metal furniture and keep it dry to maintain its look.

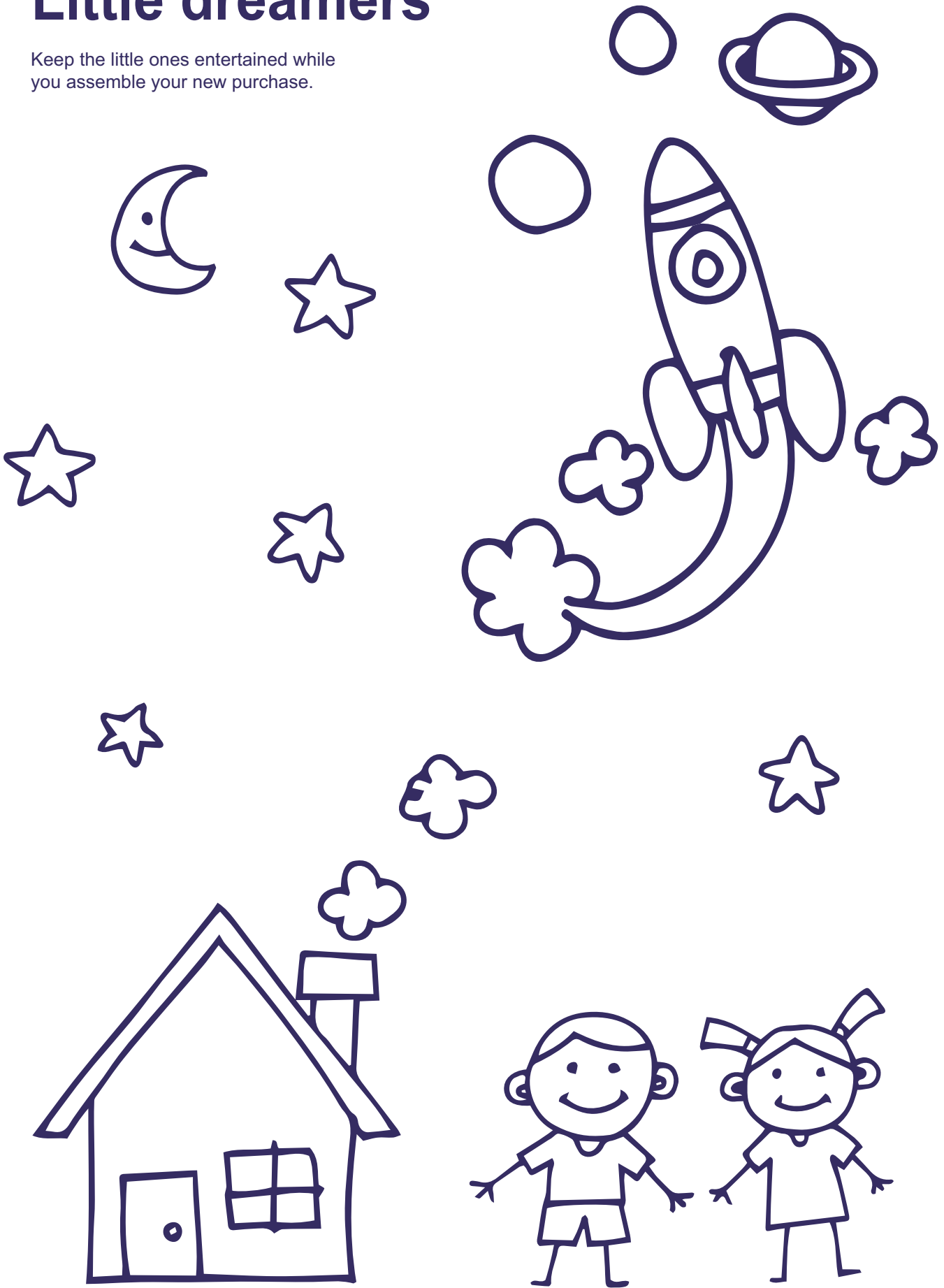
Thank you for shopping with us - we hope you have a great night's sleep.

Sleep well



Little dreamers

Keep the little ones entertained while you assemble your new purchase.



Keep the little ones entertained while you assemble your new purchase.

Dreams

