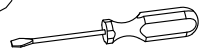
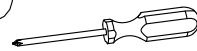
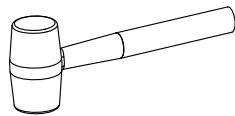
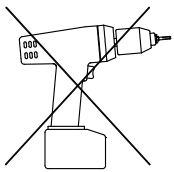
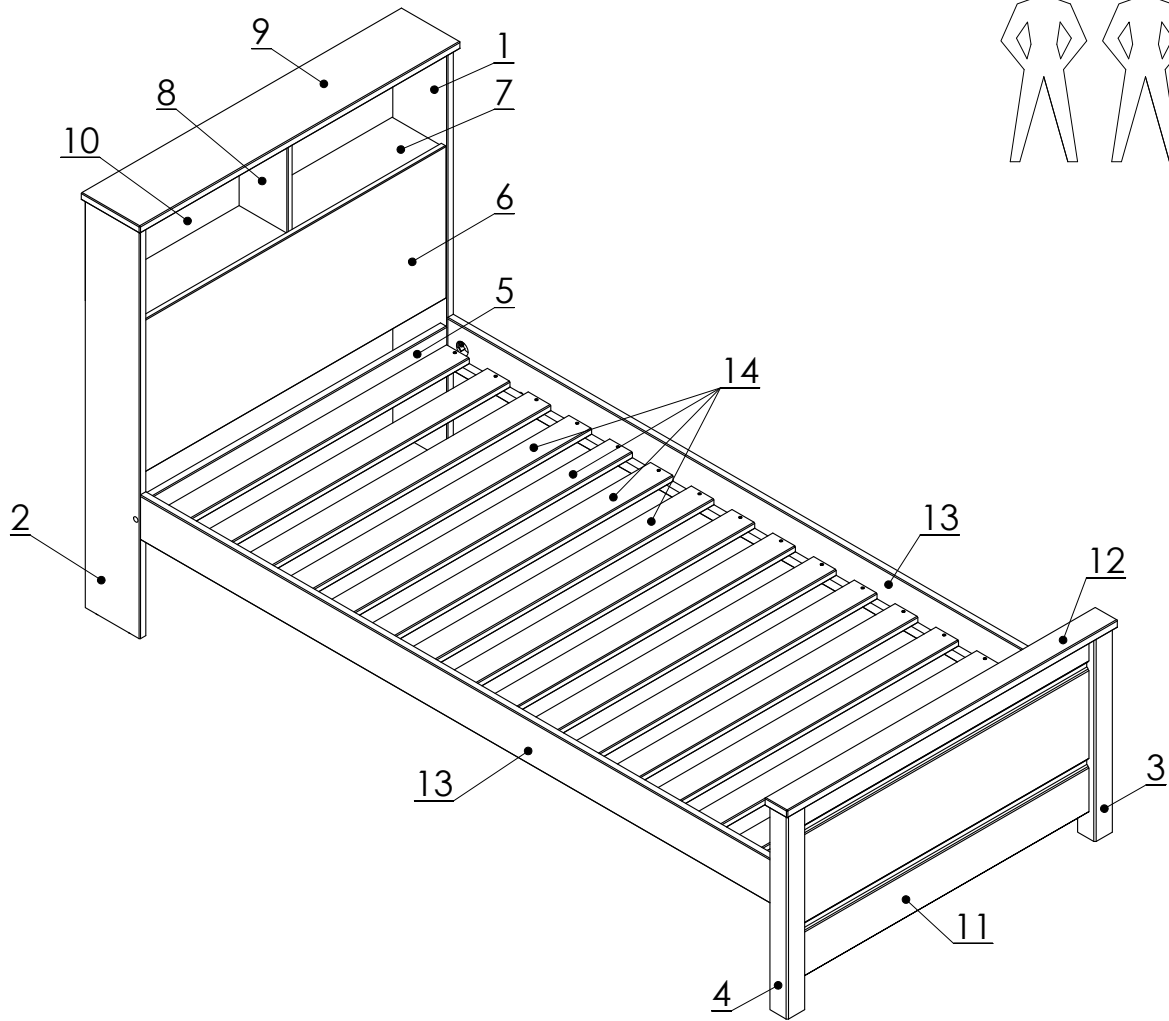
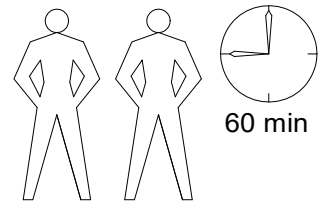


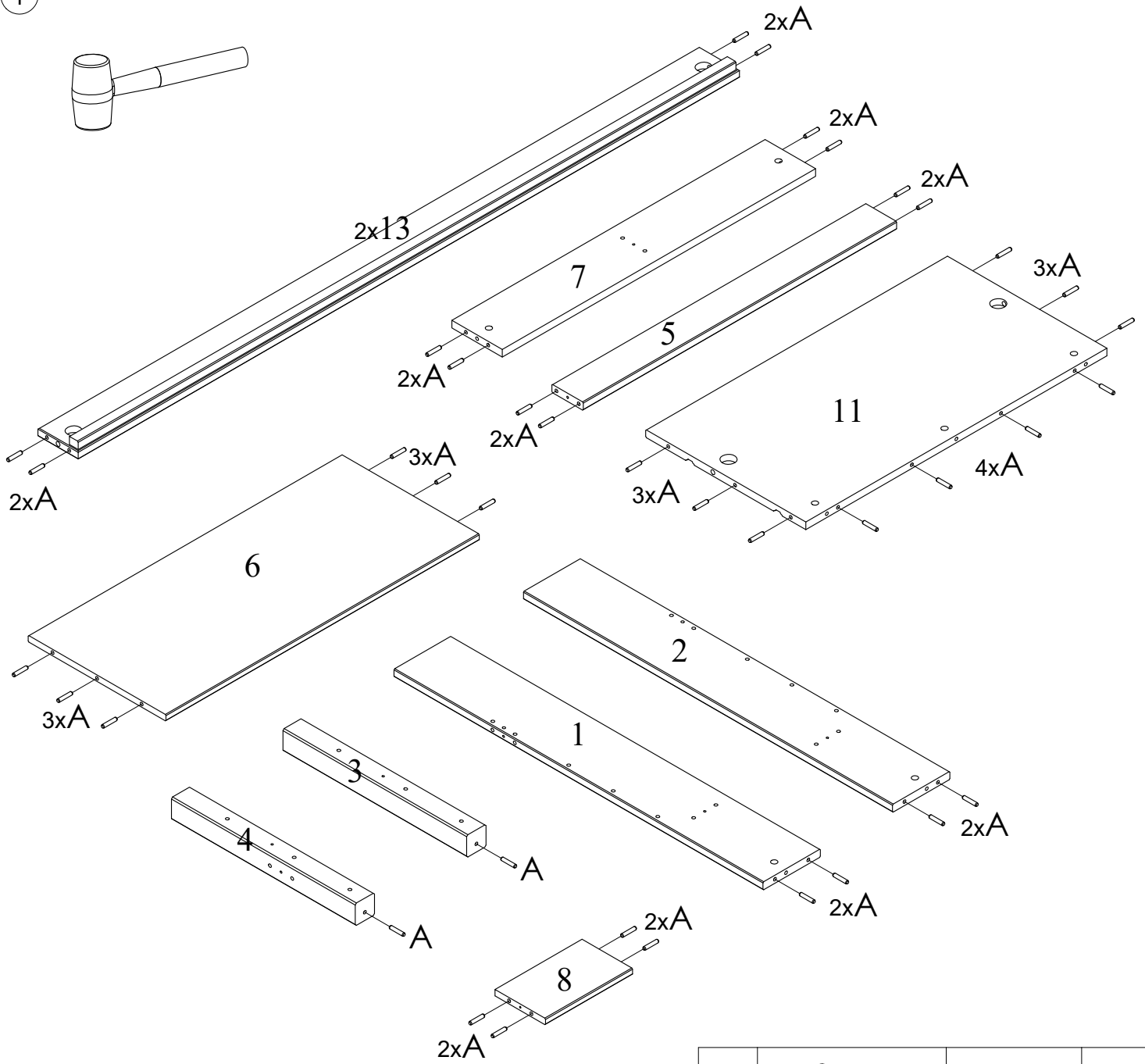
IMPORTANT! KEEP FOR FUTURE REFERENCE



| | | | |
|---|--|--------|-----|
| A | | 8x40 | x42 |
| B | | 7x60 | x6 |
| C | | 7x50 | x2 |
| D | | D35 | x6 |
| E | | 7x34 | x7 |
| F | | 15x12 | x7 |
| G | | 5x38 | x1 |
| H | | 3,5x40 | x32 |

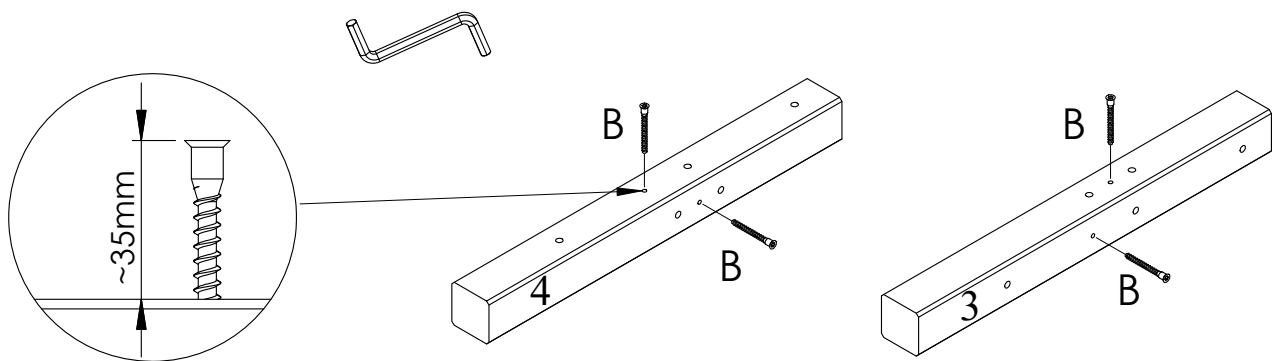
| | | | |
|---|--|---------|-----|
| J | | 1,6x16 | x25 |
| K | | D17x3 | x4 |
| L | | D38 | x2 |
| M | | D4x13 | x2 |
| N | | 1,6x16 | x5 |
| P | | 52x47x3 | x2 |
| R | | 4mm | x1 |
| | | | |

①



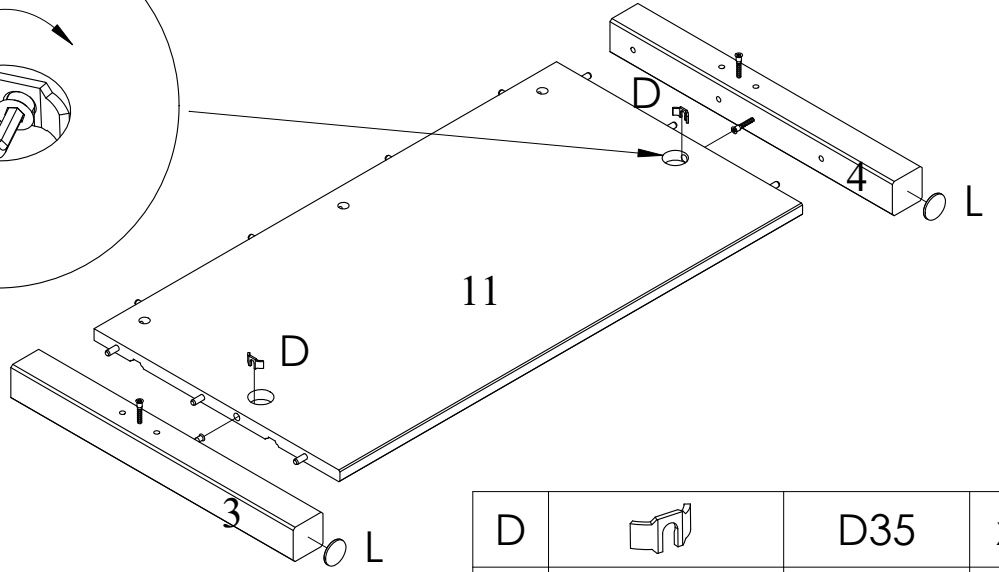
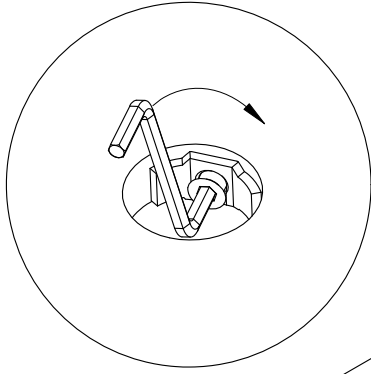
| | | | |
|---|--|------|-----|
| A | | 8x40 | x42 |
|---|--|------|-----|

②



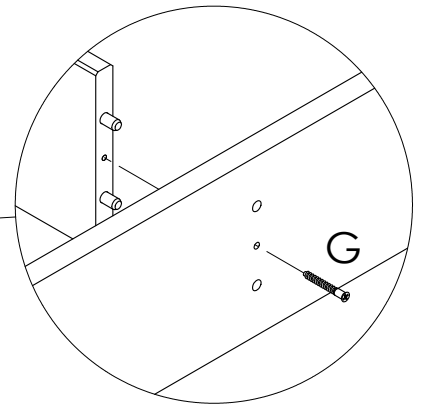
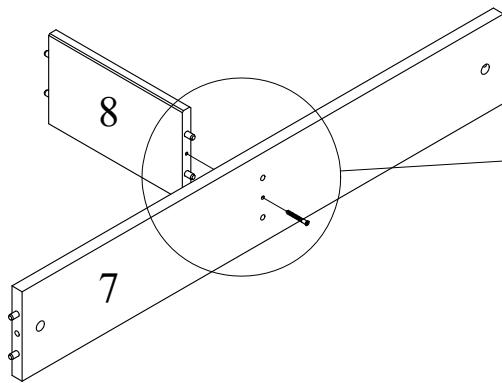
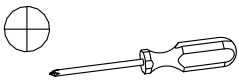
| | | | |
|---|--|------|----|
| B | | 7x60 | x4 |
|---|--|------|----|

3



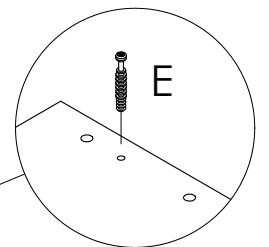
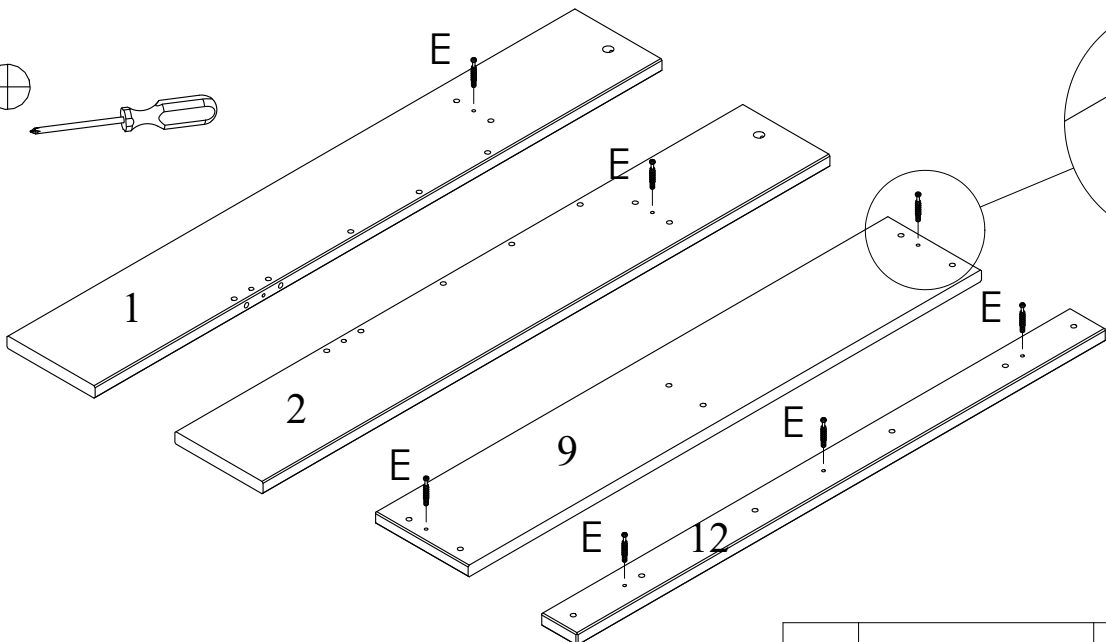
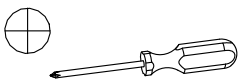
| | | | |
|---|--|-----|----|
| D | | D35 | x2 |
| L | | D38 | x2 |

4



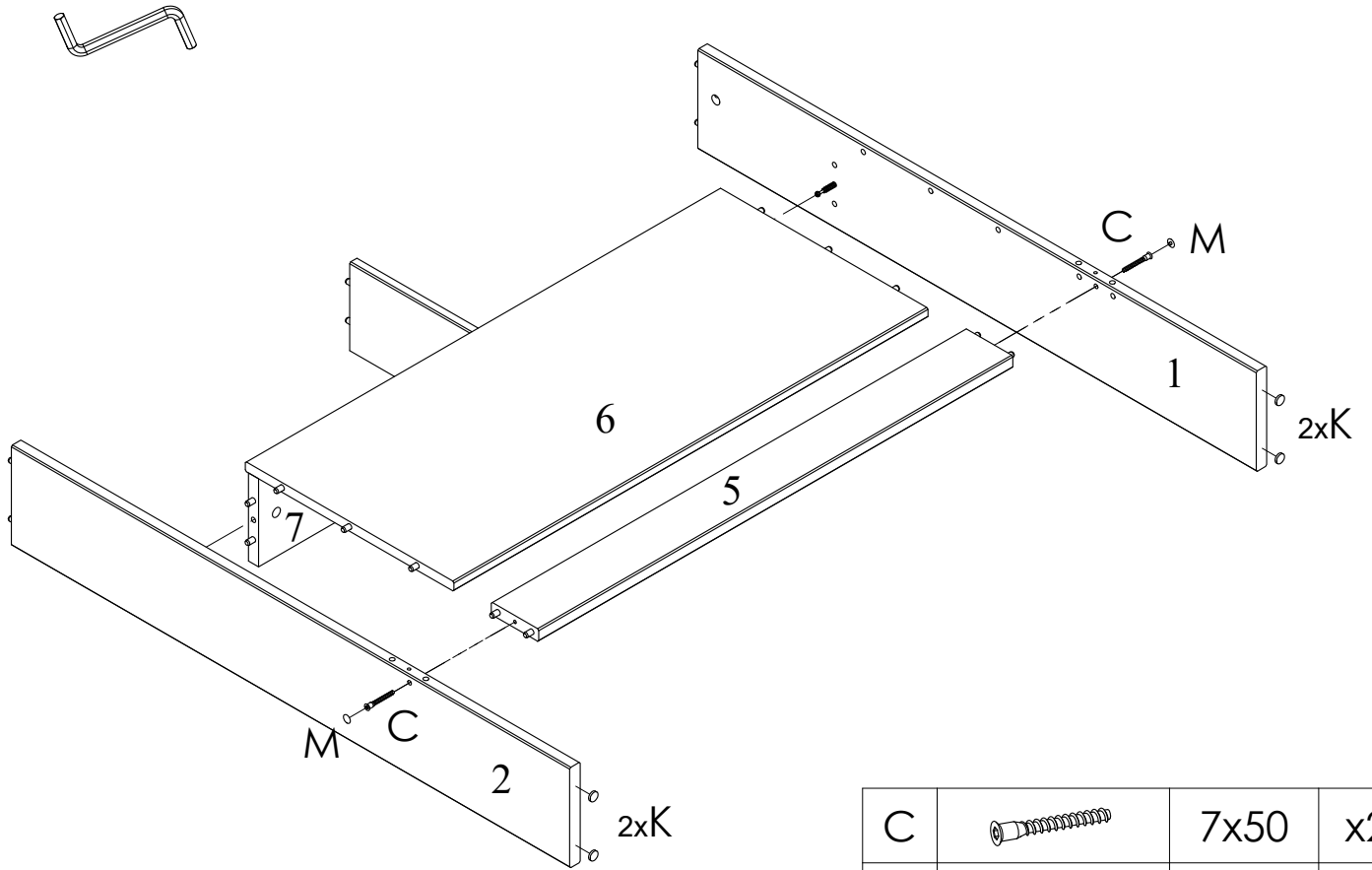
| | | | |
|---|--|------|----|
| G | | 5x38 | x1 |
|---|--|------|----|




5



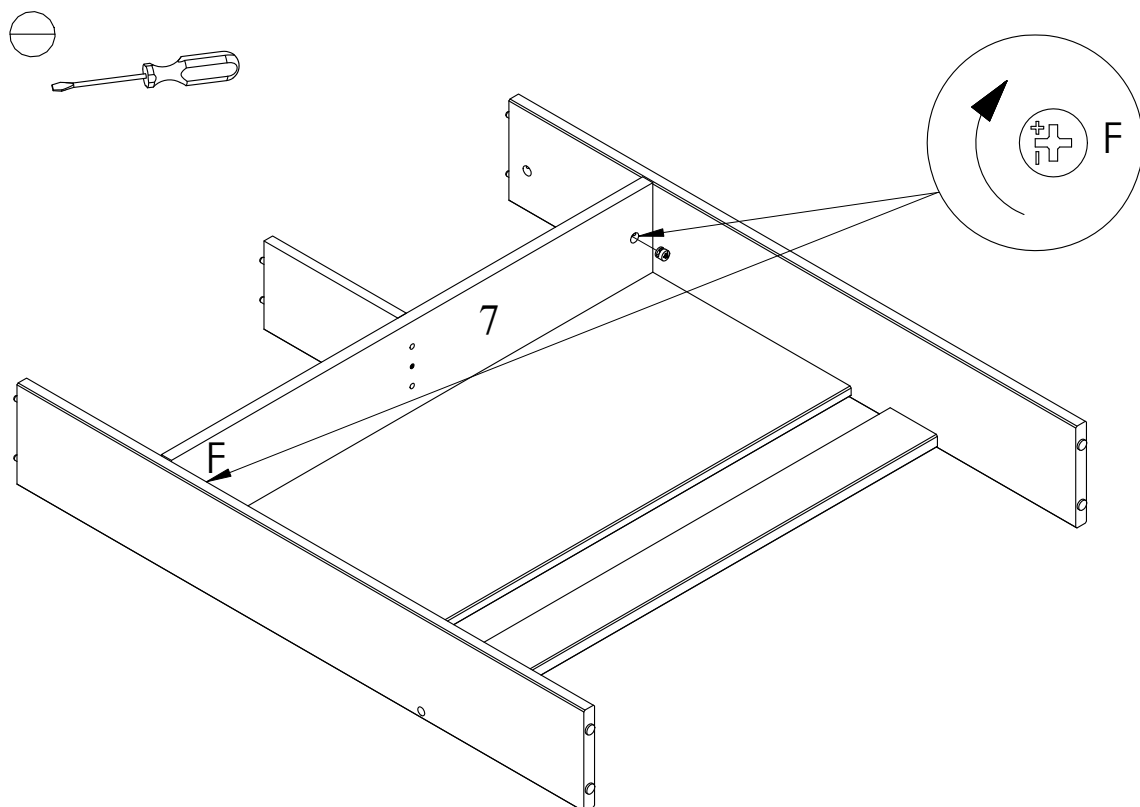
| | | | |
|---|--|------|----|
| E | | 7x34 | x7 |
|---|--|------|----|

6



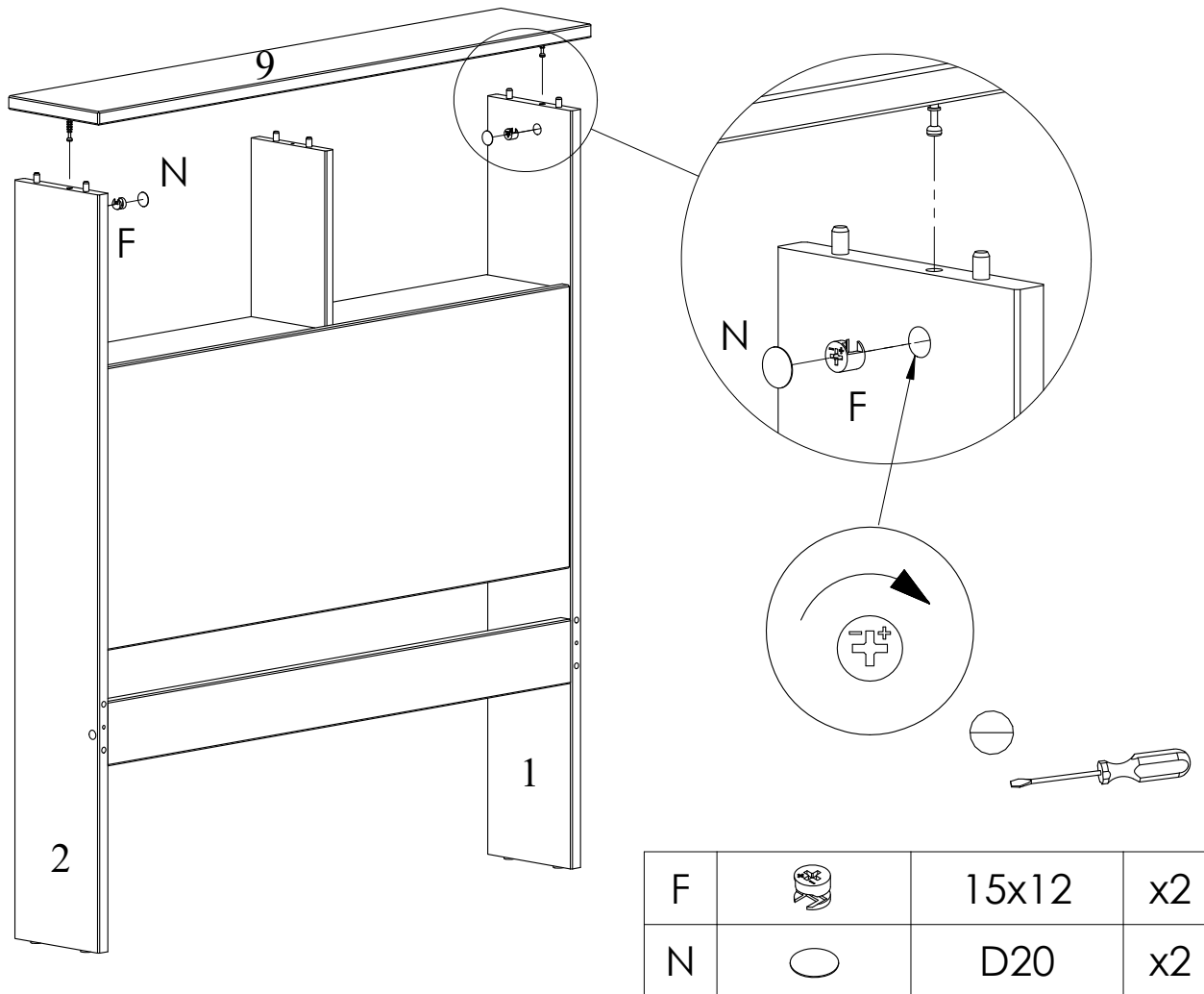
| | | | |
|---|---|-------|----|
| C |  | 7x50 | x2 |
| M |  | D4x13 | x2 |
| K |  | D17x3 | x4 |

7

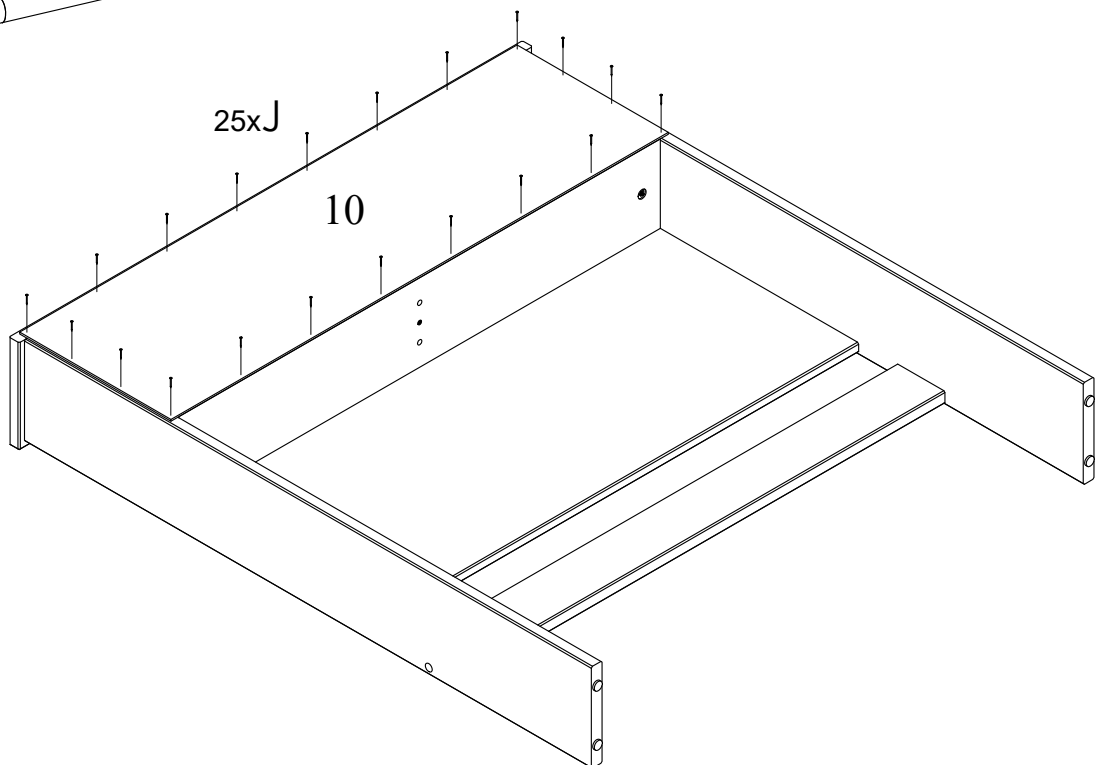
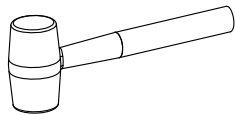


| | | | |
|---|---|-------|----|
| F |  | 15x12 | x2 |
|---|---|-------|----|

8



9



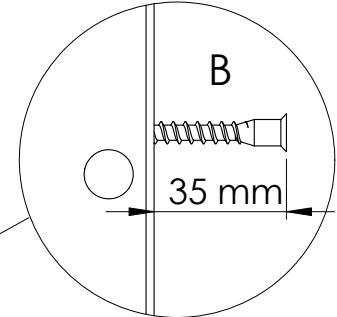
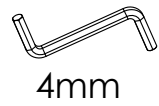
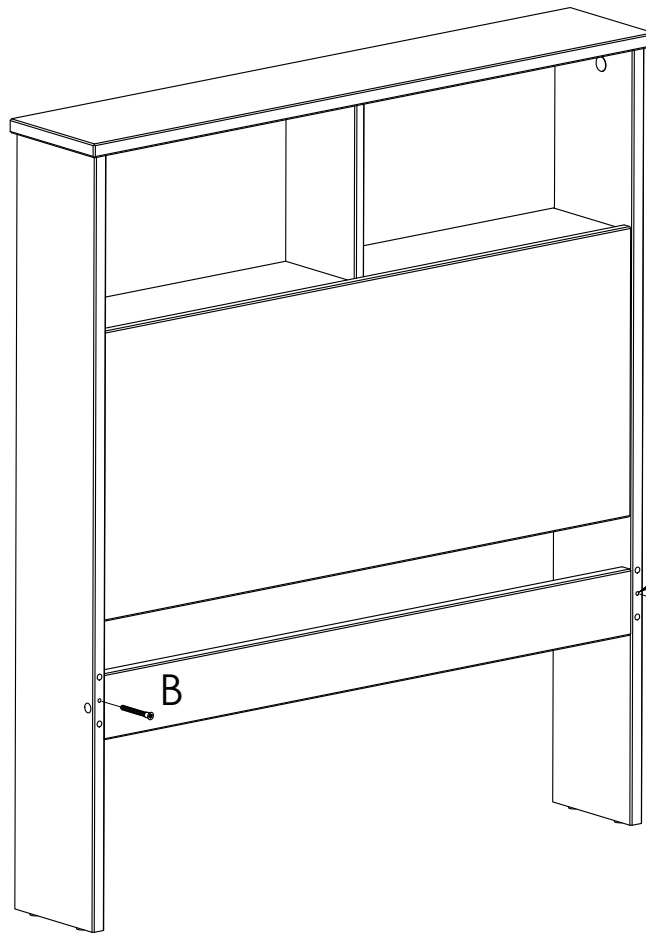
J



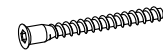
1,6x16

x25

10



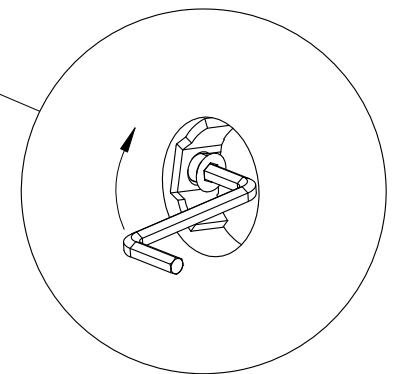
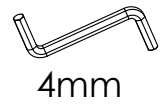
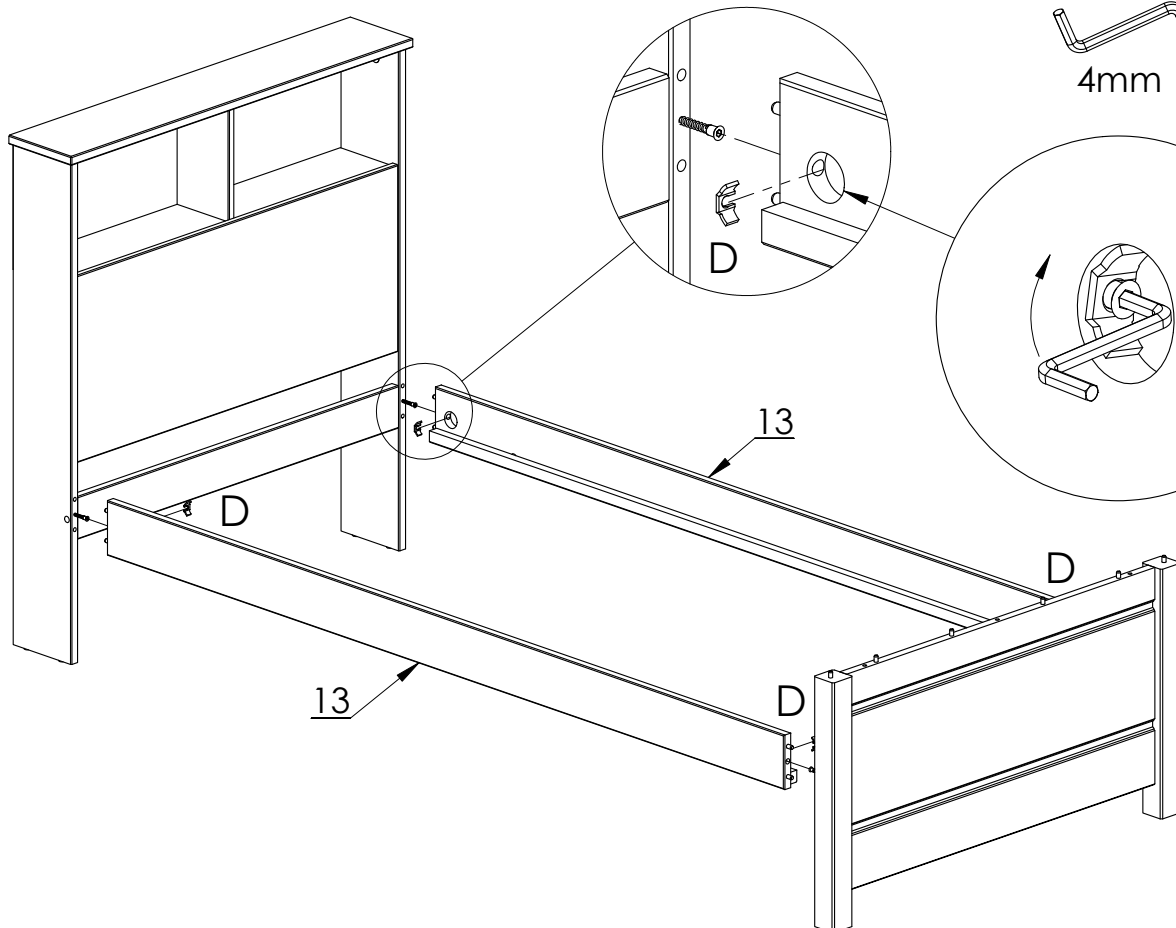
B



7x60

x2

11



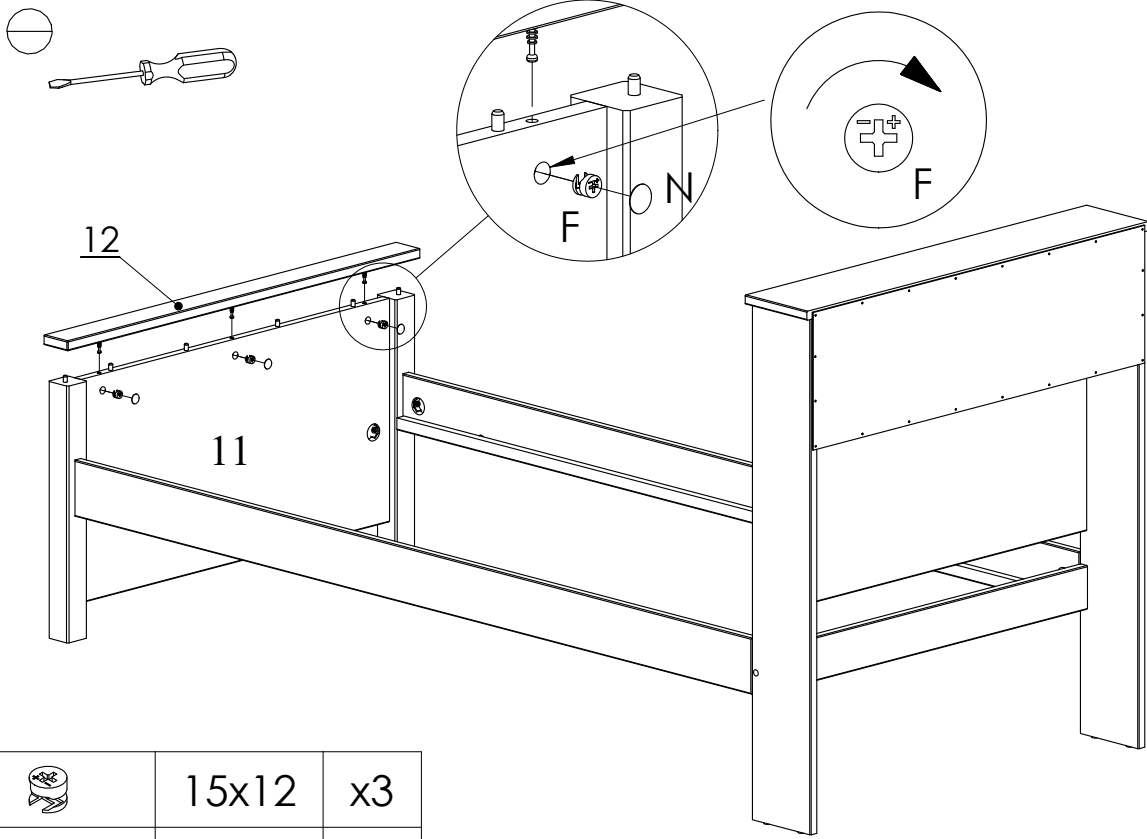
D



D35

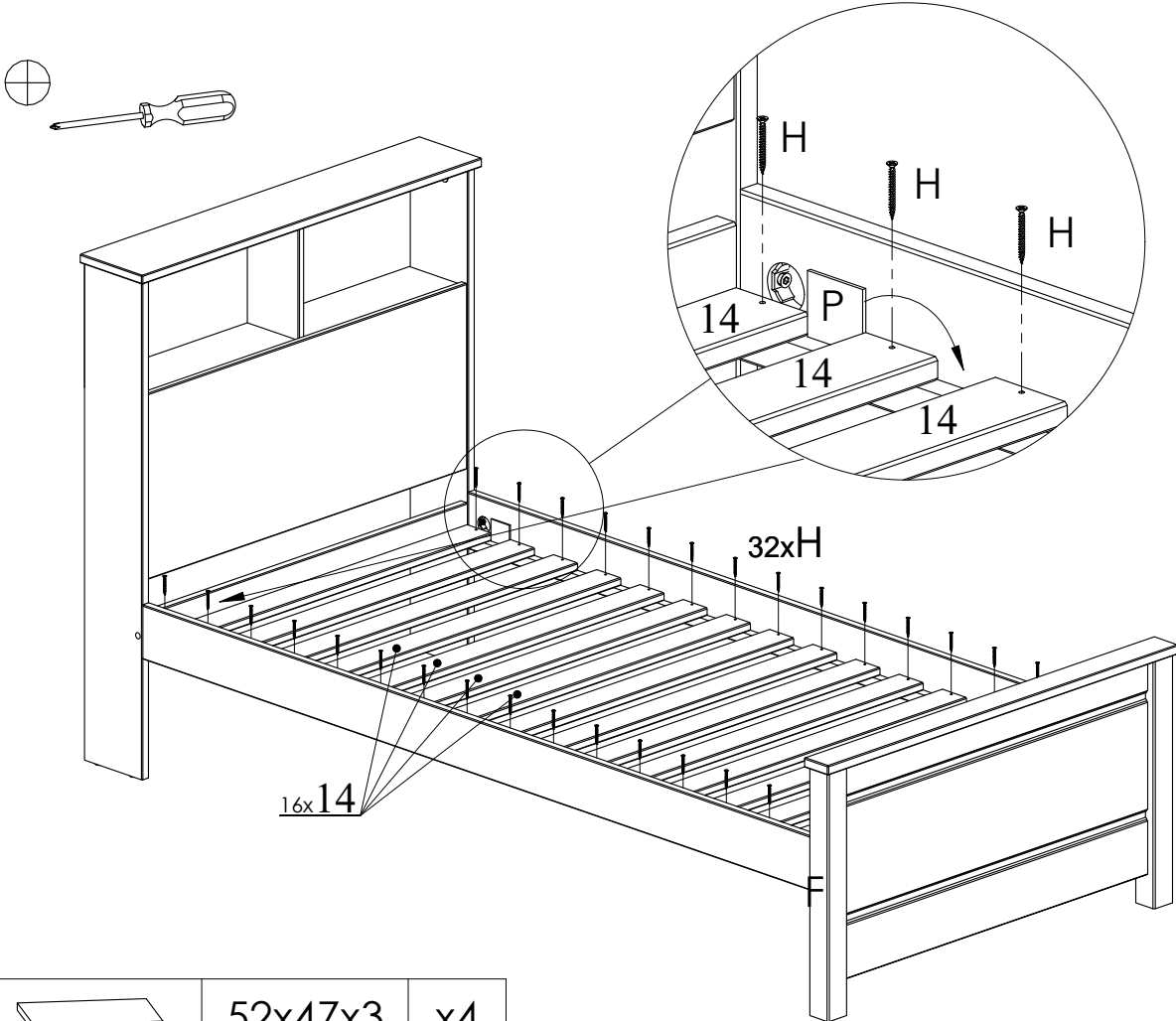
x4

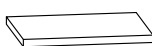

12



| | | | |
|---|--|-------|----|
| F |  | 15x12 | x3 |
| N |  | D20 | x3 |

13



| | | | |
|---|---|---------|-----|
| P |  | 52x47x3 | x4 |
| H |  | 3,5x40 | x32 |

IMPORTANT INFORMATION

It is recommended that you always follow the manufacturer's instructions to assemble this product. It is also recommended that periodically that all fixings are checked and tightened if required.

IMPORTANT! KEEP ASSEMBLY INSTRUCTIONS FOR FUTURE REFERENCE

This bed conforms to EN1725

Recommended Mattress size: 190*90 (UK single) with a depth no more than 23cms.

General Care: Wipe clean with a slightly damp soft cloth.

Avoid using all household cleaners and abrasives.

When moving your furniture, carefully lift into place.

Never drag or push across the floor as this will cause damage to the joints and could result in failure to the product that will invalidate the warranty.