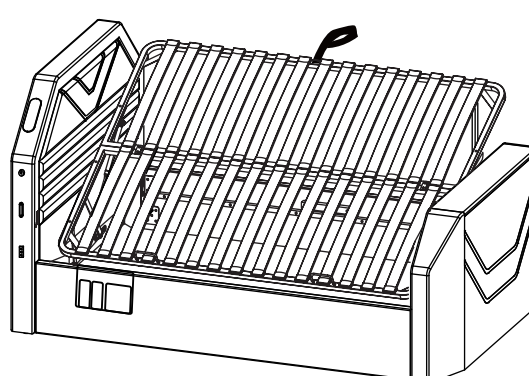
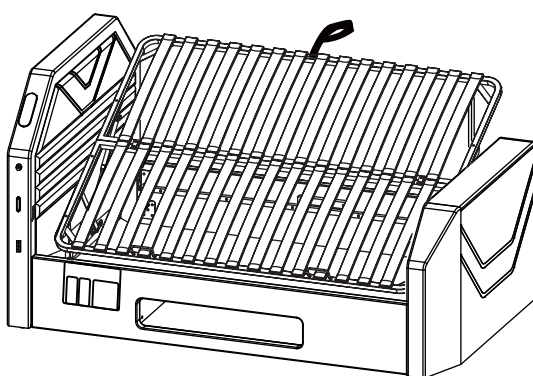
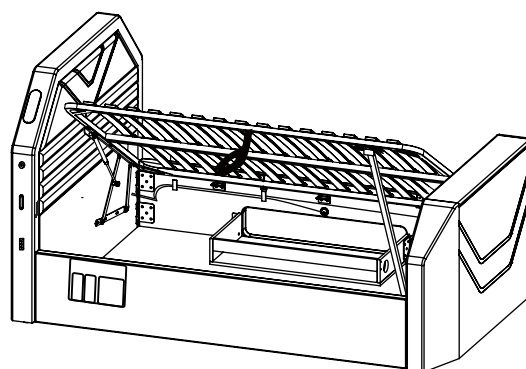
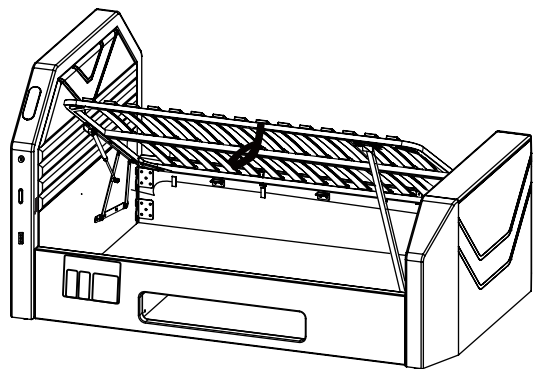


NEBULA TV BED

OTTOMAN FRAME VERSION



IMPORTANT OTTOMAN SAFETY WARNINGS

- **IMPORTANT - READ CAREFULLY - RETAIN FOR FUTURE REFERENCE**
- **You must ensure that the mattress is on the bed frame before operating the lift mechanism - Failure to do so could result in injury.**
- **Keep hands clear of the mechanism when opening or closing the ottoman.**
- **Beware of entrapment - Never reach in through the mechanism to access the storage area.**
- **Always ensure that the ottoman is FULLY opened before accessing the storage area.**
- **Do not exceed the maximum weight as specified in the table below:**

Bed	Bed Size	Min Weight (kg)	Max Weight (kg)
Nebula	Small Double	10	40
	Double	10	40
	King	15	45



1.5 hour approx
assembly time

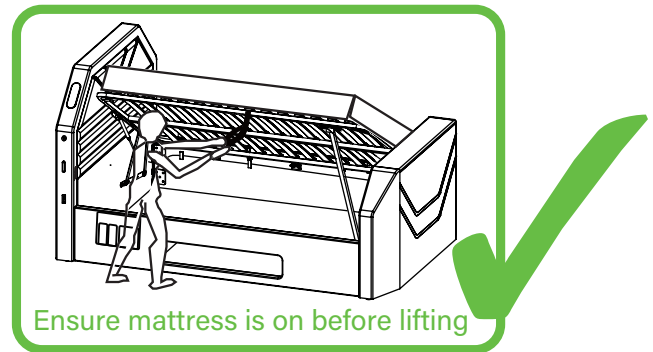


Two person
assembly

MK1 230930

Dreams

IMPORTANT OTTOMAN SAFETY WARNINGS Cont.



- Use caution when operating, always use the handle when lifting.
- Note: This bed uses a pressurised mechanism.
- To be operated by adults only.
- Please ensure that children and pets are kept away from the bed when operating the lift mechanism.
- Keep children and pets away from the storage area.
- Do not overload the internal storage base.
- Do not stand inside the internal storage area of the bed.
- Before removing the mattress secure the frame to ensure it does not open unexpectedly.
- Do not attempt to lie on the mattress when the ottoman is in the raised position.
- When lifting the ottoman, remove all bedding except the fitted sheet.

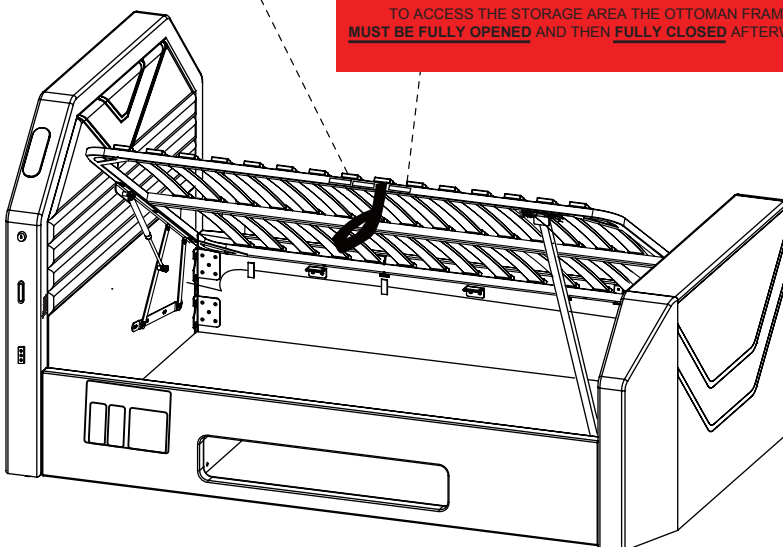
CAUTION

- TO BE OPERATED BY ADULTS ONLY
- KEEP CHILDREN OR PETS AWAY FROM THE STORAGE AREA
- TO AVOID TRAPPING YOUR FINGERS USE ONLY THE HANDLE TO LIFT AND LOWER THE BASE
- BE CAREFUL WHEN LIFTING ONLY LIFT WITH THE MATTRESS IN PLACE

TO AVOID ACCIDENTS

TO ACCESS THE STORAGE AREA THE OTTOMAN FRAME **MUST BE FULLY OPENED AND THEN FULLY CLOSED** AFTERWARDS

- Keep hands clear of the mechanism when operating the base system
- Do not overload the internal storage base
- Do not allow children near the lift base when operating the mechanism
- Do not stand inside the internal storage area of the bed
- Do not reach into the storage area through the hinge mechanism



Ottoman Beds - Important Safety Features

Our aim is always to give you the best experience and to ensure every effort has been made to guarantee your comfort and safety. Please take time to look at these instructions as they will help remind you how to operate your ottoman bed safely.

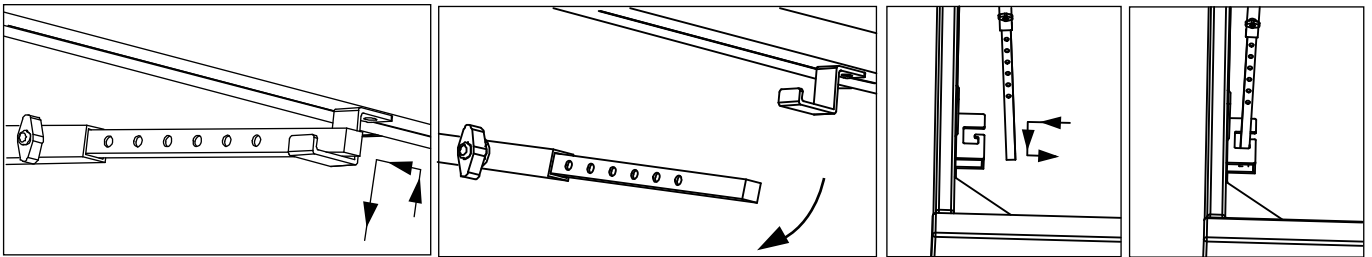
Here's a few things you need to remember;

- ✓ **Pistons are already assembled in their correct orientation - this improves piston performance and durability.**
- ✓ **"Break in " the piston seals on first use by raising & lowering the platform at least five times.**
- ✓ **Recommended mattress weights - do not exceed the maximum relevant weight specified on the Assembly Instruction.**
- ✓ **Ottoman support bar - always engage the support bar when accessing the ottoman storage area.**

Read all the instructions before using your Ottoman bed-frame and save the instruction booklet for future reference.

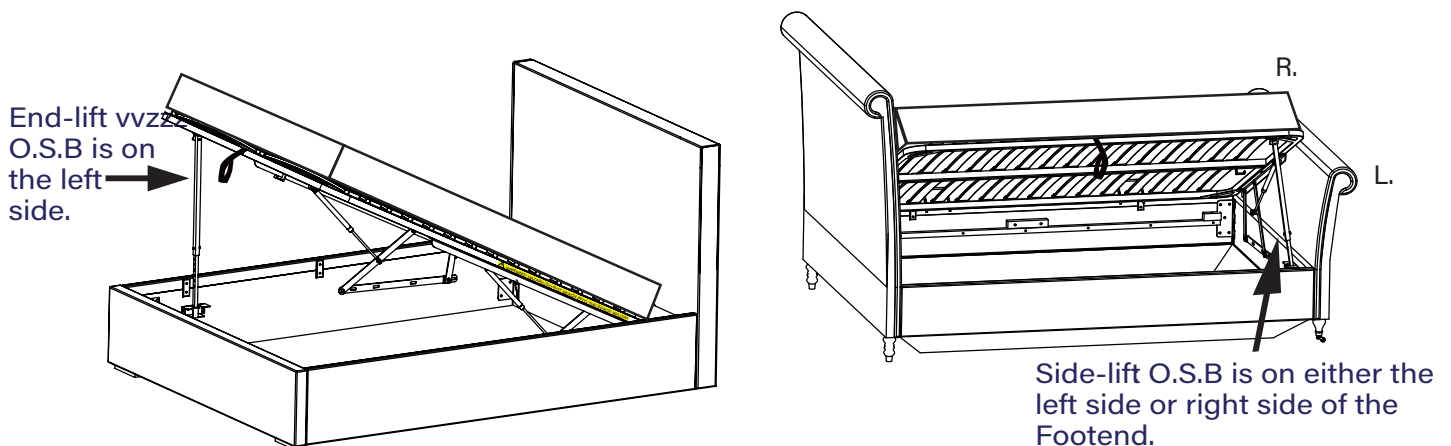
Ottoman Support Bar (O.S.B.)

For optimal safety during operation, always ensure the O.S.B. is engaged when accessing the ottoman storage area.



1. Always raise the ottoman slat-frame to it's highest position before using the storage area.
Locate the end of the O.S.B and insert into the fixed retaining bracket on the bed frame.
2. When you are ready to lower the ottoman platform, return the O.S.B to its original parking position.
3. Always ensure that the O.S.B is in position when the ottoman is open, this prevents injury, or damage to the product.

Location of the O.S.B



WARNING! Risk of Entrapment

- The pistons on the ottoman bed frame can support a maximum load (evenly spread) as indicated in the Minimum and Maximum load table, on page 1 of this Assembly Instruction.
- Overloading the sleeping platform may contribute to damage to the product resulting in potential serious injury.
- Do not sit on the mattress whilst the platform is in motion or is in the raised position.
- Users should only get in and out of bed when platform is in the flat (horizontal) position.

Thank you

Hello, thanks for choosing to purchase your bed from Dreams - you're now on your way to your best ever night's sleep. Before you begin building your bed, please take a moment to read through the instructions and make sure that you've got all the relevant parts listed on the following pages.



Assembly tips

Before you begin, it's best to identify all parts and fittings to build your bed. We advise laying these out on the floor to check you have everything, and familiarising yourself before building.



Top tip

We recommend that you build your new bed in the room you'd like it to be located - this will help prevent any risk of damage to your newly built bed whilst moving it.



Safety and care

It's really important to ensure children and animals are kept away from the assembly area, as there are small components used in this bed which could present a choking hazard. All plastic and wrapping materials should also be kept away from children and animals to prevent any risk of suffocation. To keep your little ones busy, there is a colouring page inside the back cover.



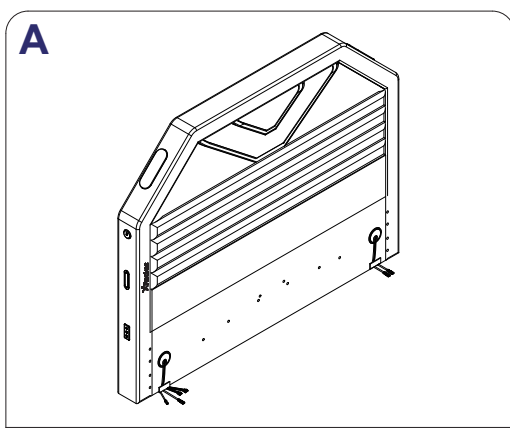
Help and support

At Dreams, it's our mission to give the whole nation a great night's sleep - this means that the quality of our products is of utmost importance to us. If there are any issues with your product or any missing parts, please visit our website at www.dreams.co.uk/help

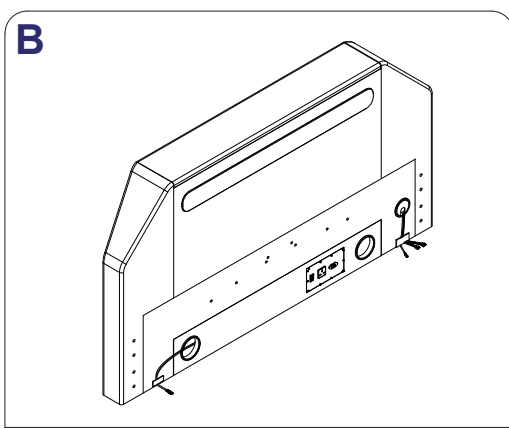


Recycling

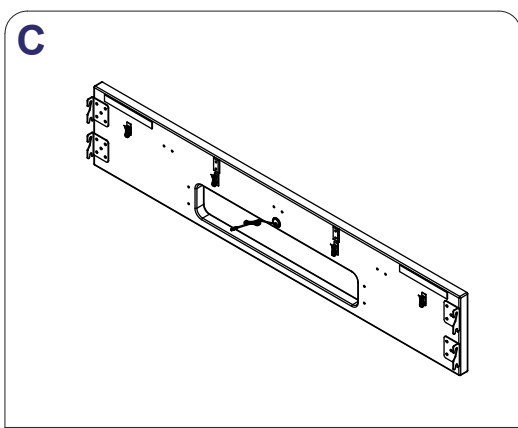
As part of our zero to landfill policy, we're more than happy to collect and recycle your old bed or mattress, ensuring no part goes to waste. We will also take away all your packaging for recycling at point of delivery. Please check out our services on www.dreams.co.uk/recycling-services for more information. If you do not want us to do this, please check with your local recycling centre on the best recycling method.



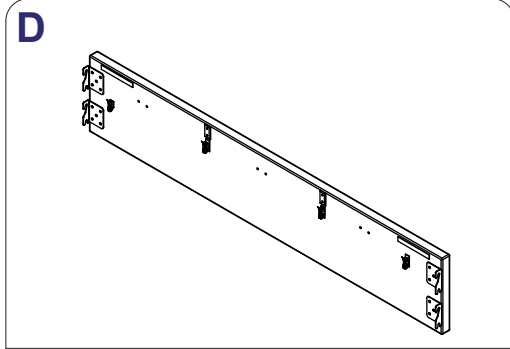
A
Description: Headboard
Qty:1
CTN: 1



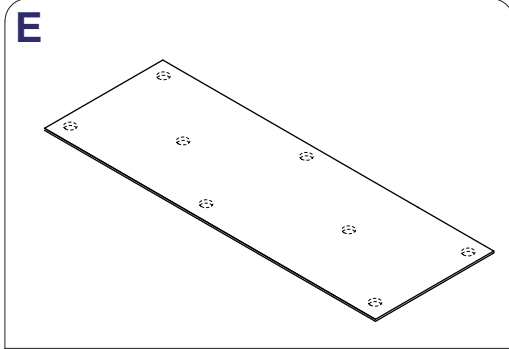
B
Description: Footboard
Qty:1
CTN: 2



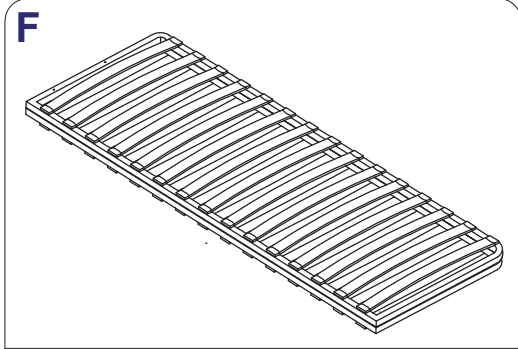
C
Description: Side Rail - with Media tray
Qty:1
CTN: 3



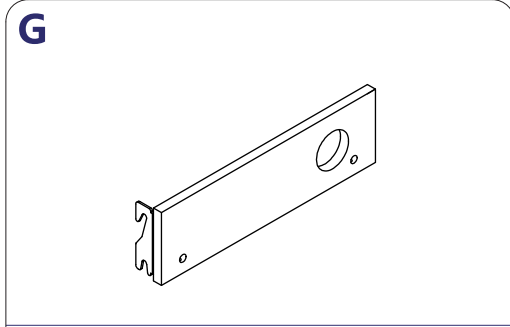
D
Description: Side Rail - without Media tray
Qty:1
CTN: 3



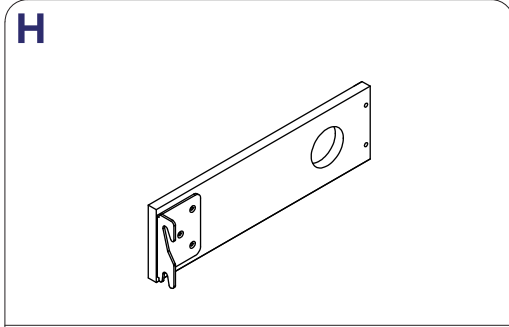
E
Description: Storage Base Boards
Qty: 2
CTN: 4



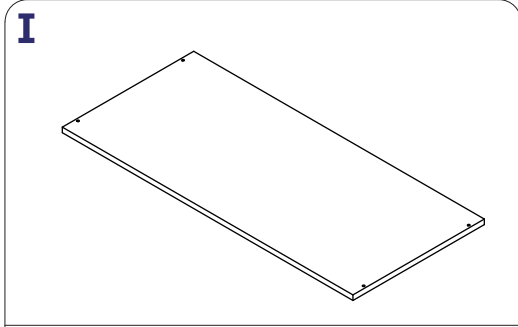
F
Description: Metal Slat frame
Qty: 1
CTN: 4



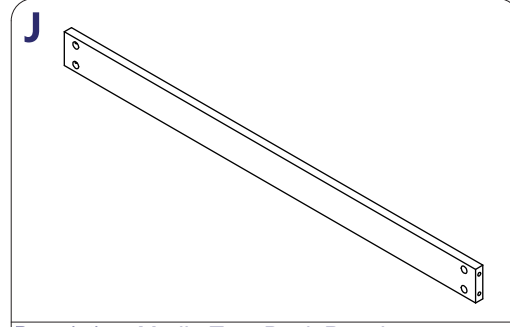
G
Description: Media Tray Side Panel - LH
Qty:1
CTN: 4



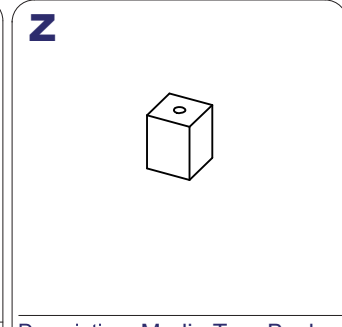
H
Description: Media Tray Side Panel - RH
Qty:1
CTN: 4



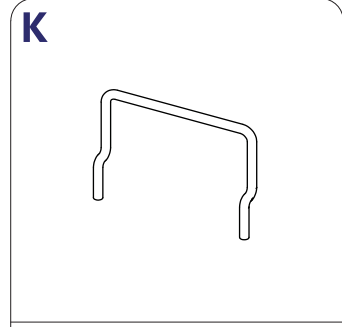
I
Description: Media Tray Base Panel
Qty:1
CTN: 4



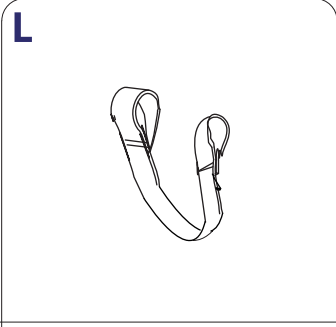
J
Description: Media Tray Back Panel
Qty:1
CTN: 4



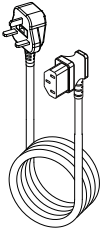
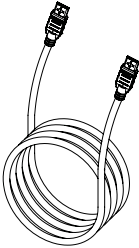
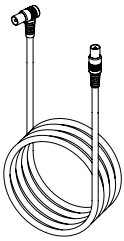
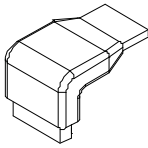
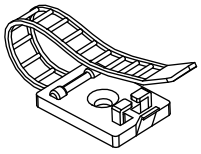
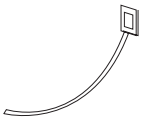
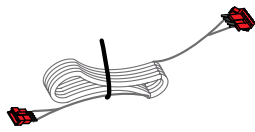
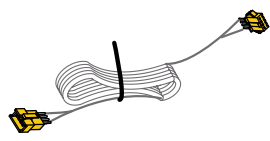
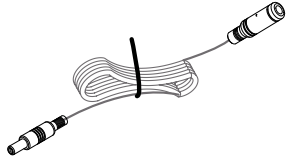
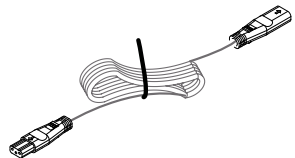
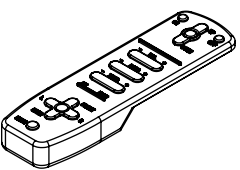

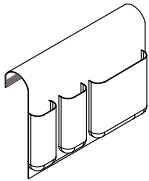
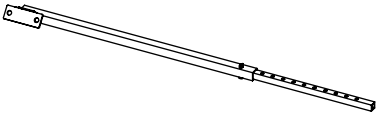
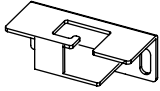
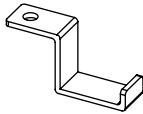
Z
Description: Media Tray Back Support Legs
Qty: 2
CTN: 4



K
Description: Mattress Stoppers
Qty: 2
CTN: 4



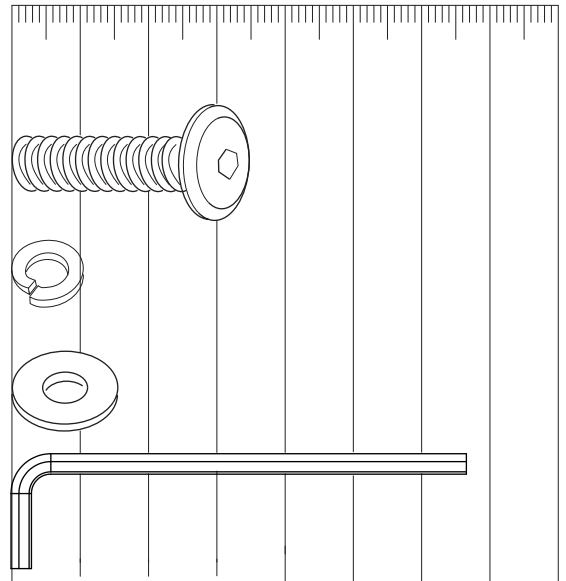
L
Description: Fabric Hand Strap
Qty: 1
CTN: 3

<p>M</p> 	<p>N</p> 	<p>O</p> 	<p>P</p> 	<p>Q</p> 
<p>Description: Power Lead 3.5 metre</p> <p>Qty:1 CTN:2</p>	<p>Description: HDMI Leads 2.8 metre</p> <p>Qty:2 CTN:2</p>	<p>Description: Aerial Lead 4 metre</p> <p>Qty:1 CTN:2</p>	<p>Description: HDMI 90° adaptor</p> <p>Qty:1 CTN:2</p>	<p>Description: Cable Clips</p> <p>Qty:5 CTN:2</p>
<p>R</p> 	<p>S</p> 	<p>T</p> 	<p>U</p> 	<p>V</p> 
<p>Description: Cable Ties</p> <p>Qty:5 CTN:2</p>	<p>Description: Connection Cable (5 Pin) USB/Headphone Module</p> <p>Qty:1 CTN:2</p>	<p>Description: Connection Cable (4 Pin) HB SS Speaker</p> <p>Qty:1 CTN:2</p>	<p>Description: Connection Cable For LED 12V Power</p> <p>Qty:1 CTN:2</p>	<p>Description: Connection Cable For LED on footboard</p> <p>Qty:1 CTN:2</p>
<p>W</p> 	<p>X</p> 	<p>Y</p> 		
<p>Description: 5.1 Audio_TV Lift Remote Control</p> <p>Qty:1 CTN:2</p>	<p>Description:TV Installation Kit</p> <p>Qty:1 CTN:2</p>	<p>Description: Remote Control Holster</p> <p>Qty:1 CTN:2</p>		
<p>AA</p> 	<p>AB</p> 	<p>AC</p> 		
<p>Description: Ottoman Support Bar</p> <p>Qty: 1 CTN: 4</p>	<p>Description: Fixed retaining bracket</p> <p>Qty: 1 CTN: 4</p>	<p>Description: Parking bracket</p> <p>Qty: 1 CTN: 4</p>		

**Hardware needed for fitting side rails to headboard & footboard
Packed in footboard Pack 2 - hardware Pack (A)**

10 20 30 40 50 60 70

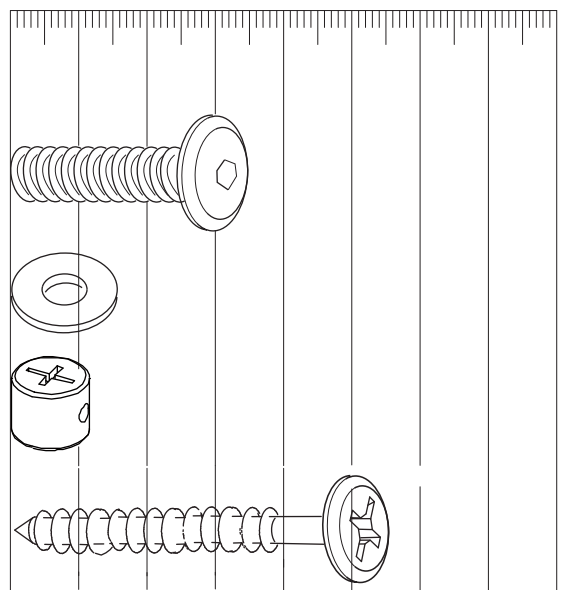
Code	Item	Quantity
1	Bolt (M8x30mm)	16
2	Spring Washer (For M8 bolt)	16
3	Flat Washer (For M8 bolt)	16
4	Allen key (For M8 bolt)	1



**Hardware needed for assembling and fitting media tray to side rail (C)
Packed in ottoman Pack 4 - hardware pack (B)**

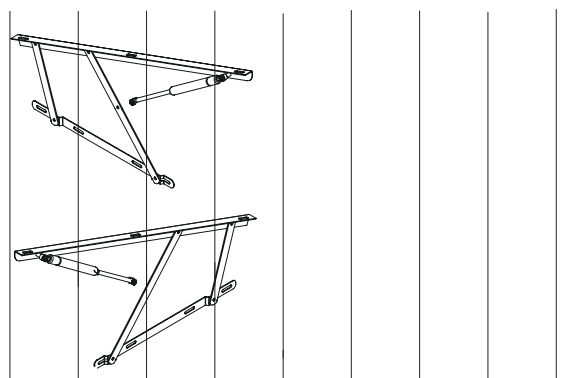
10 20 30 40 50 60 70

Code	Item	Quantity
1	Bolt (M8x30mm)	6
3	Flat Washer (For M8 bolt)	4
5	Plastic barrel nuts	8
6	Screws (5x50mm)	8

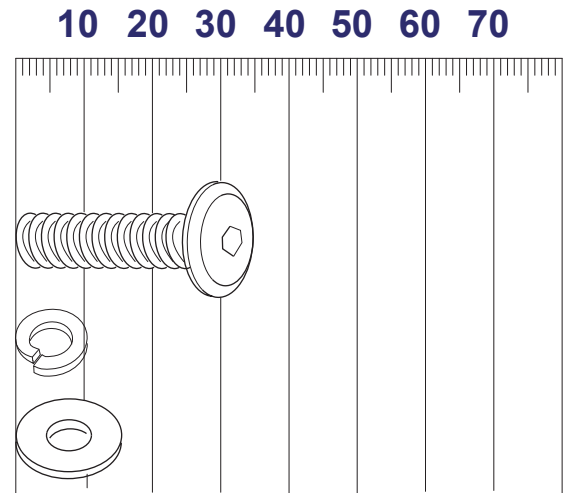


**Hardware needed for fitting gas-lift mechanisms to headboard & footboard
Packed in ottoman Pack 4 - hardware pack (C)**

7	Gas-lift mechanism	1
8	Gas-lift mechanism	1

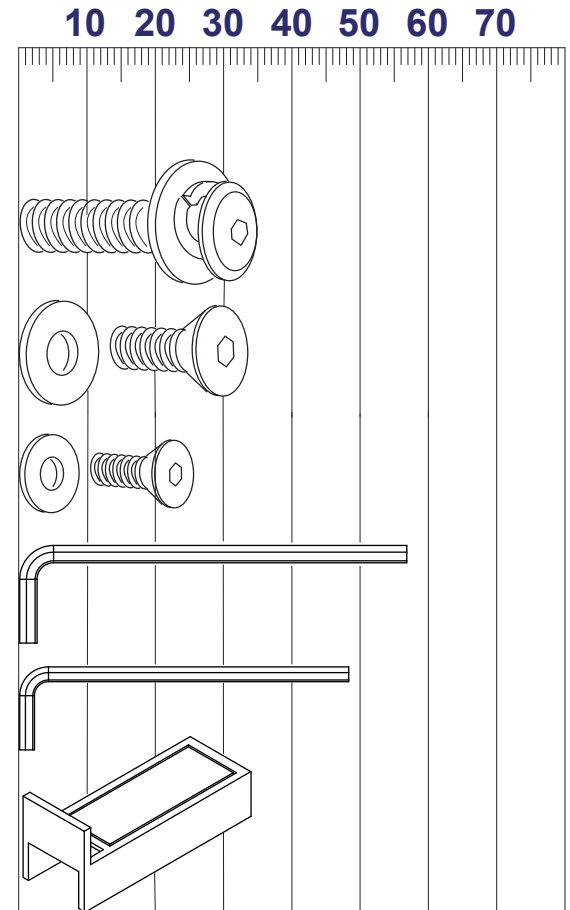


Code	Item	Quantity
①	Bolt (M8x30mm)	8
②	Spring Washer (For M8 bolt)	8
③	Flat Washer (For M8 bolt)	8



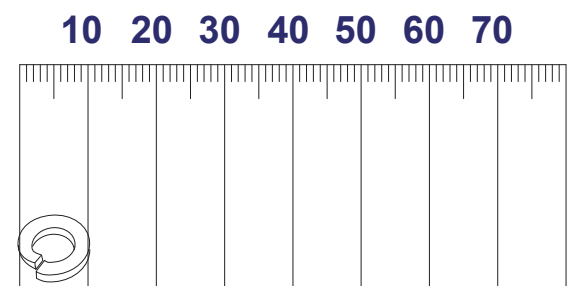
**Hardware needed for installation of the TV
Packed in the accessory box, in the footboard Pack 2**

Code	Item	Quantity
(y) <small>choose a pair of suitable bolt sets</small>	Bolt sets M8 x 25mm	2
	Counter-sunk screw sets (M6x12mm)	2
	Counter-sunk screw sets (M4x12mm)	2
(z) <small>choose a of suitable Allen Key</small>	Allen key (4mm)	1
	Allen key (2.5mm)	1
(o)	TV Support slide	2



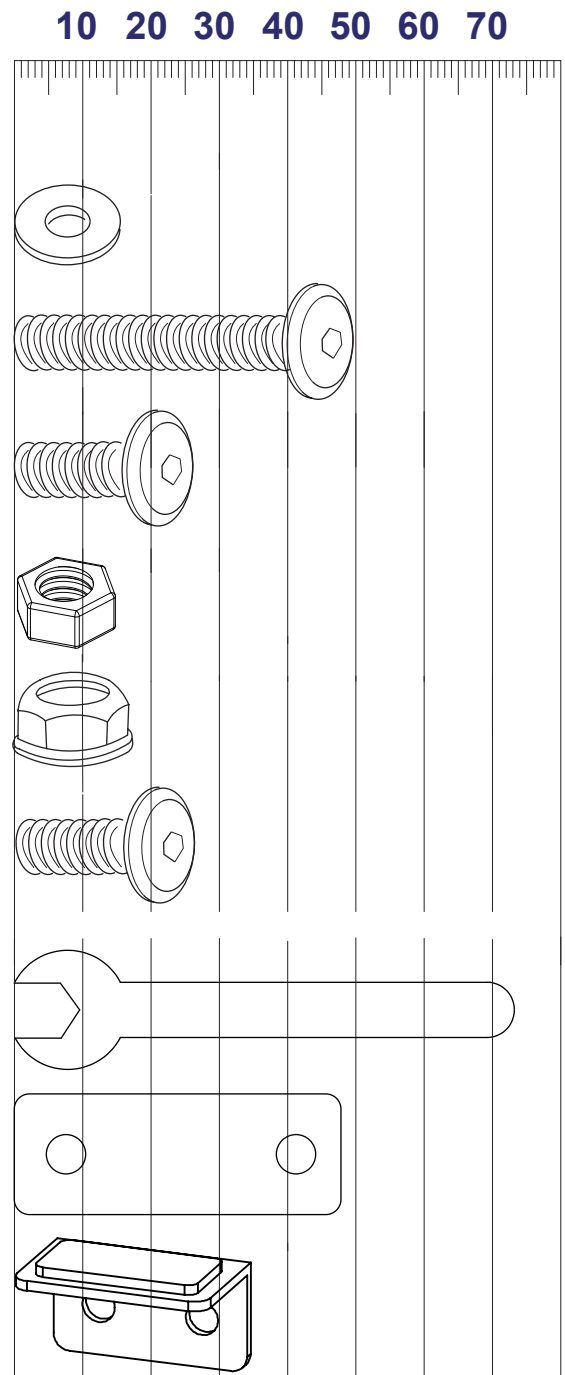
**Hardware needed for fitting the metal slat frame
Packed in ottoman Pack 4 - hardware Pack (D)**

Code	Item	Quantity
②	Spring Washer (For M8 bolt)	22



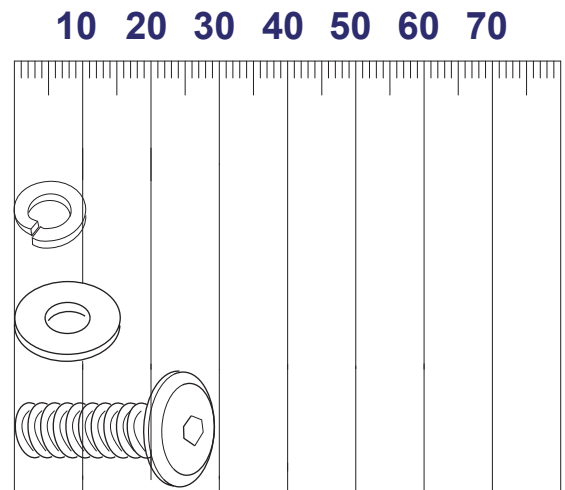
Code	Item	Quantity
3	Flat Washer (For M8 bolt)	28
9	Bolt (M8x45mm)	6
10	Bolt (M8x20mm)	4
11	Nut (For M8 bolt)	6
12	Flanged lock-nuts (M8) for gas-lift pistons	2
13	Bolt (M8x25mm)	12

14	Spanner for M8 nuts	1
15	Metal connection plates	2
16	Support bracket	6



**Hardware needed for fixing ottoman support bar (O.S.B) to the metal slat frame
Packed in ottoman Pack 4 - hardware Pack (E)**

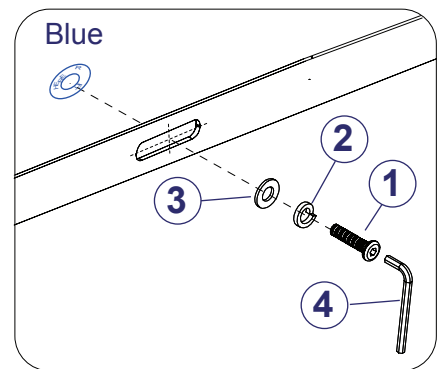
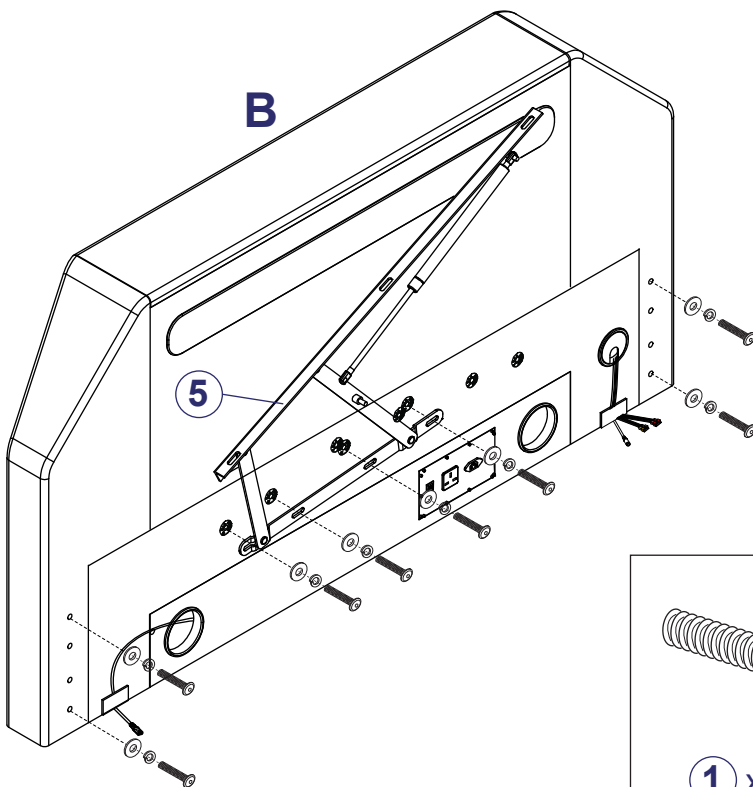
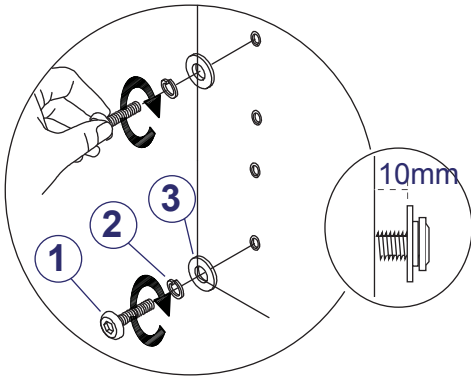
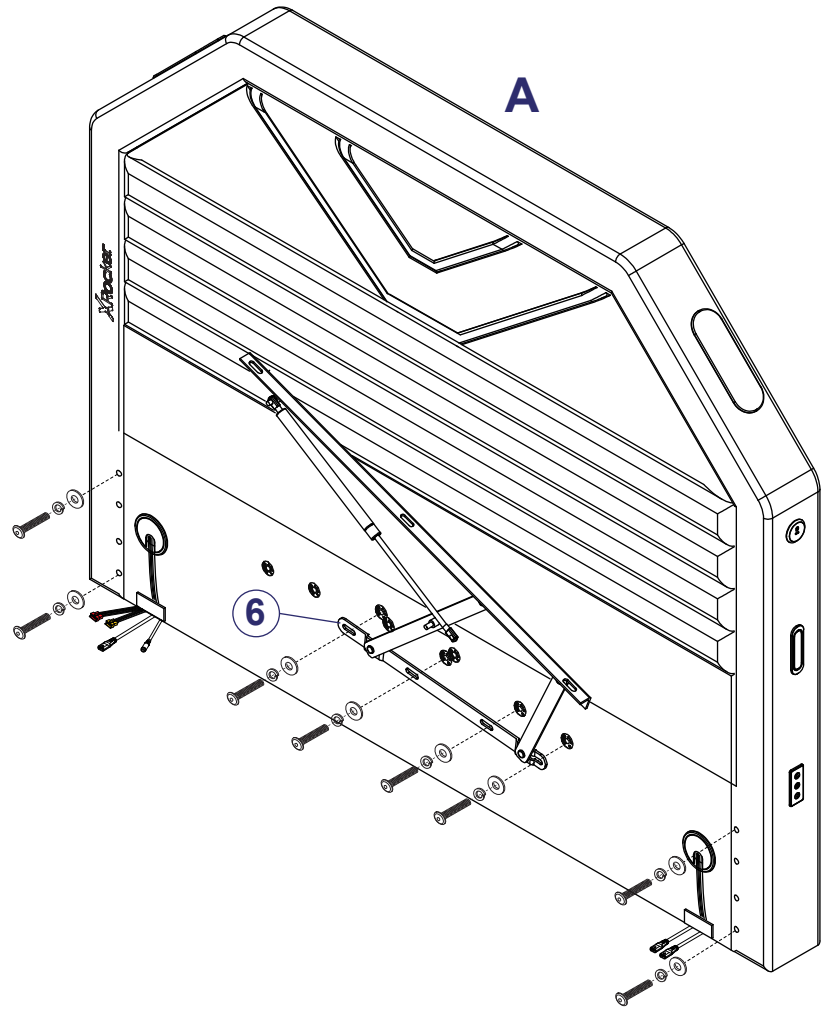
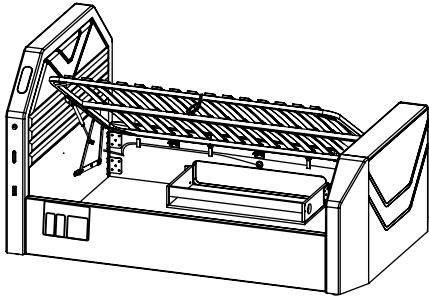
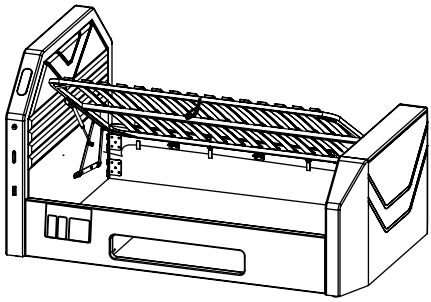
Code	Item	Quantity
2	Spring Washer (For M8 bolt)	5
3	Flat Washer (For M8 bolt)	5
17	Bolt (M8x25mm)	5

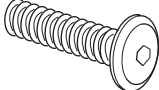


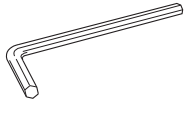


1a

Prepare headboard & footboard choosing from which side to lift up the ottoman.

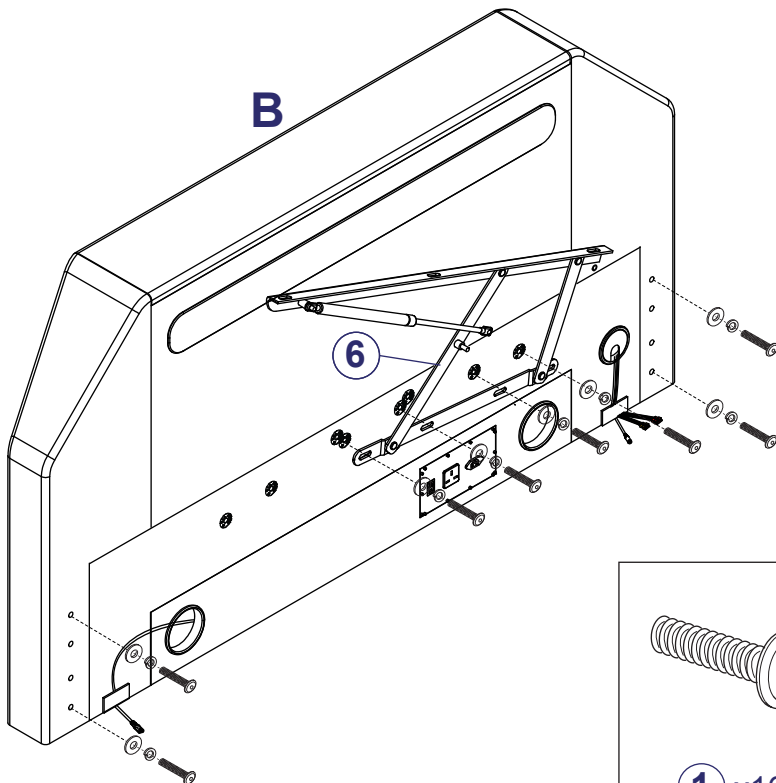
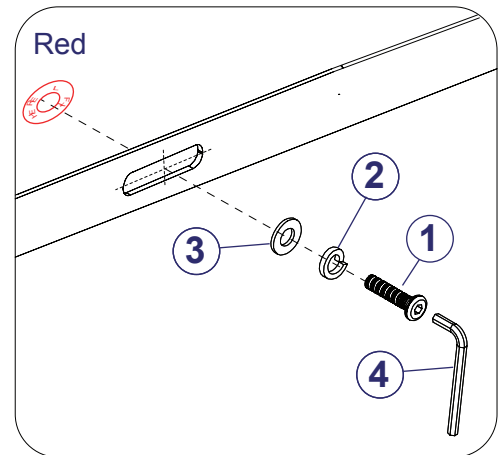
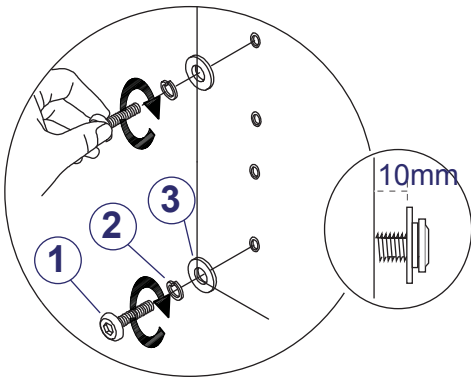
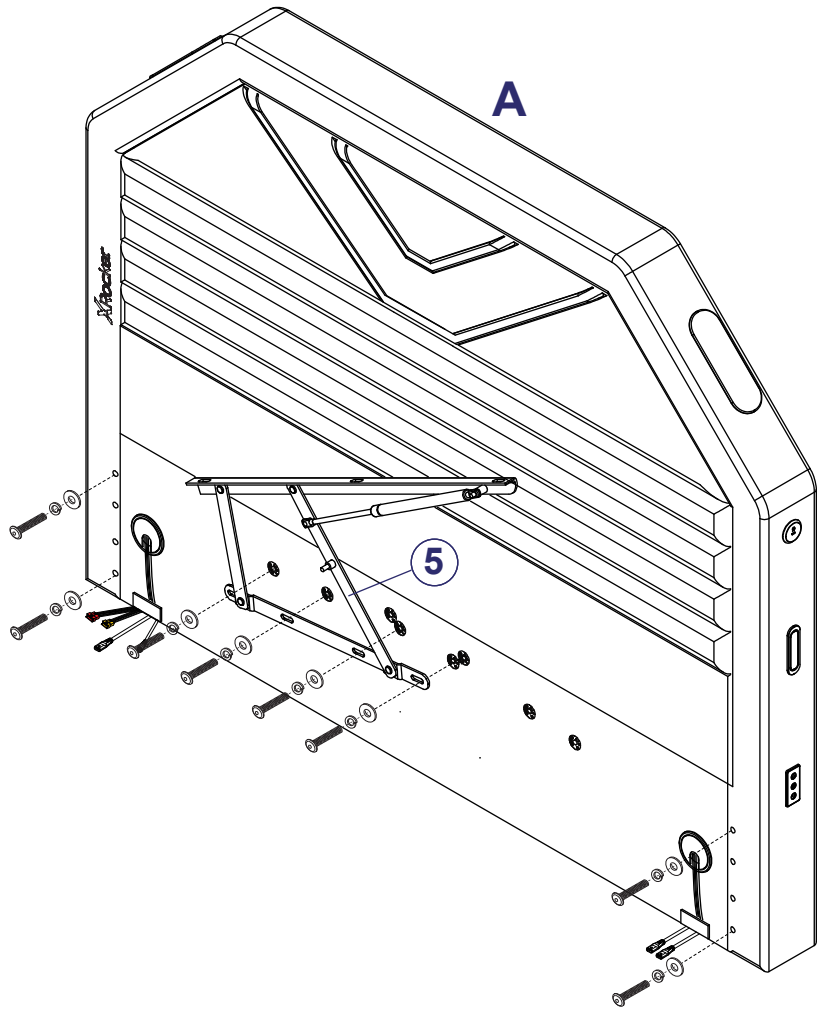
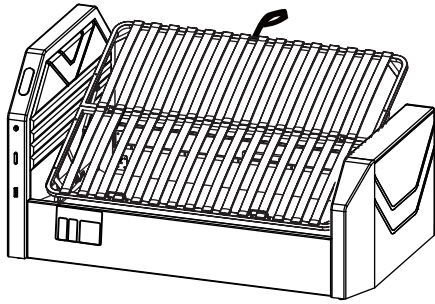
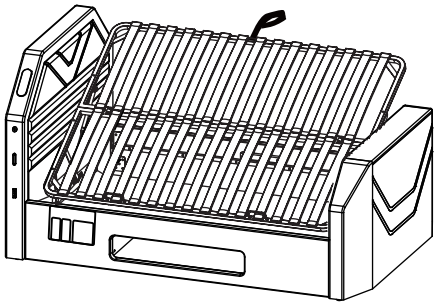
Follow these instructions if you want to lift the frame up from the LEFT side.

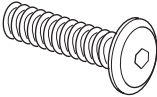





			
① x16	② x16	③ x16	④ x1

1b

Follow these instructions if you want to lift the frame up from the RIGHT side.



			
① x16	② x16	③ x16	④ x1

2

C

D

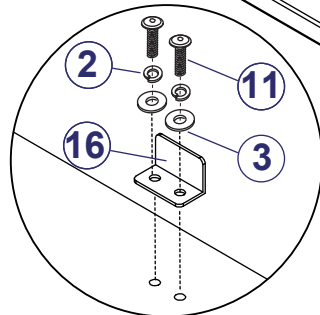
2 x12

3 x12

11 x12

4 x1

16 x6



3

A

C or D

E x2

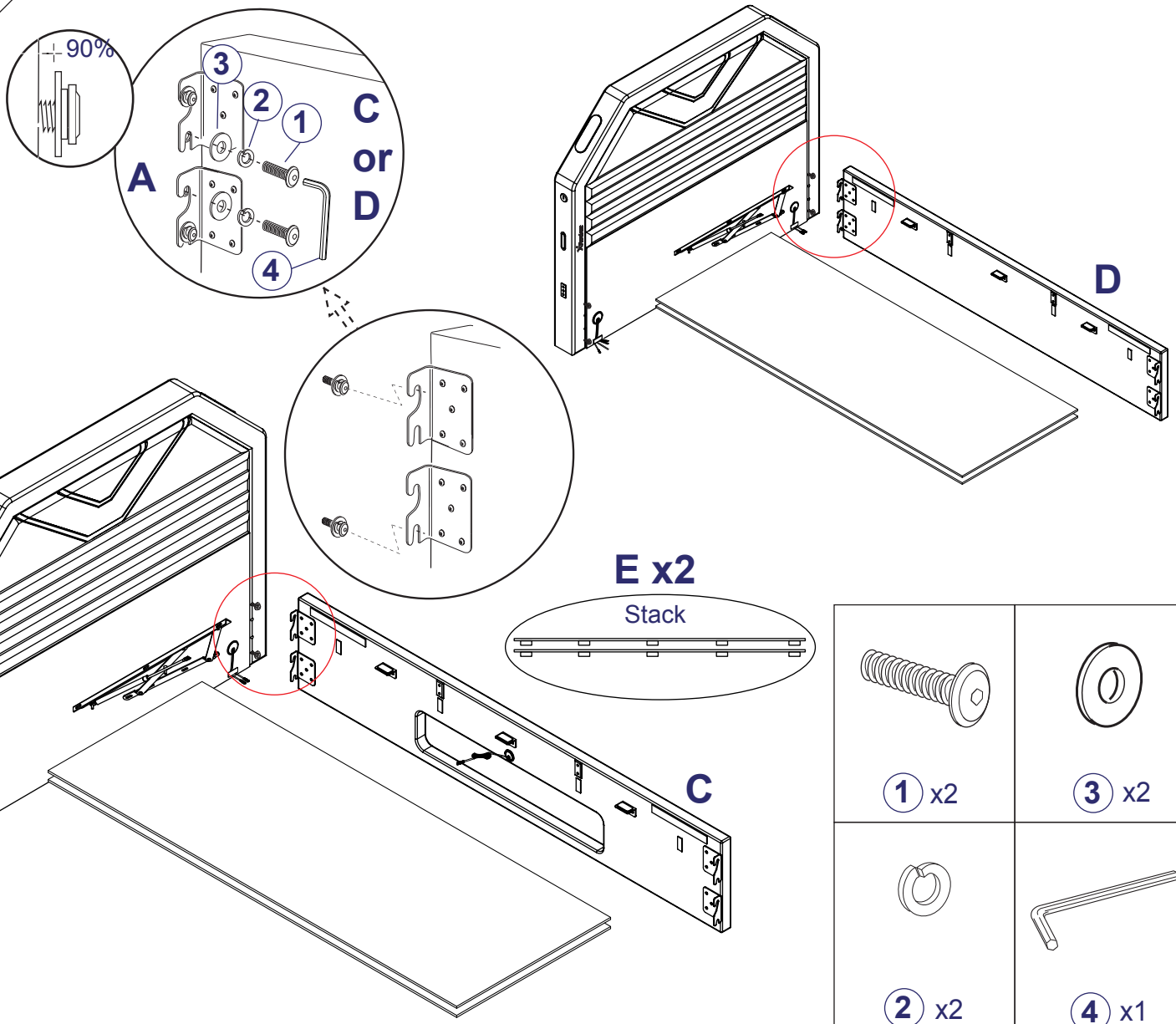
Stack

1 x2

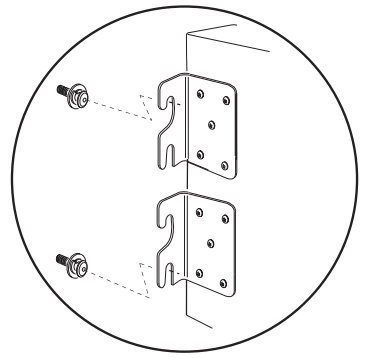
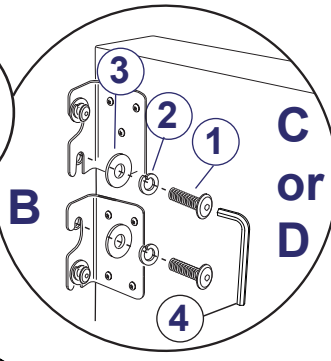
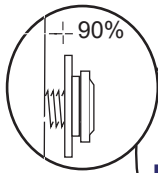
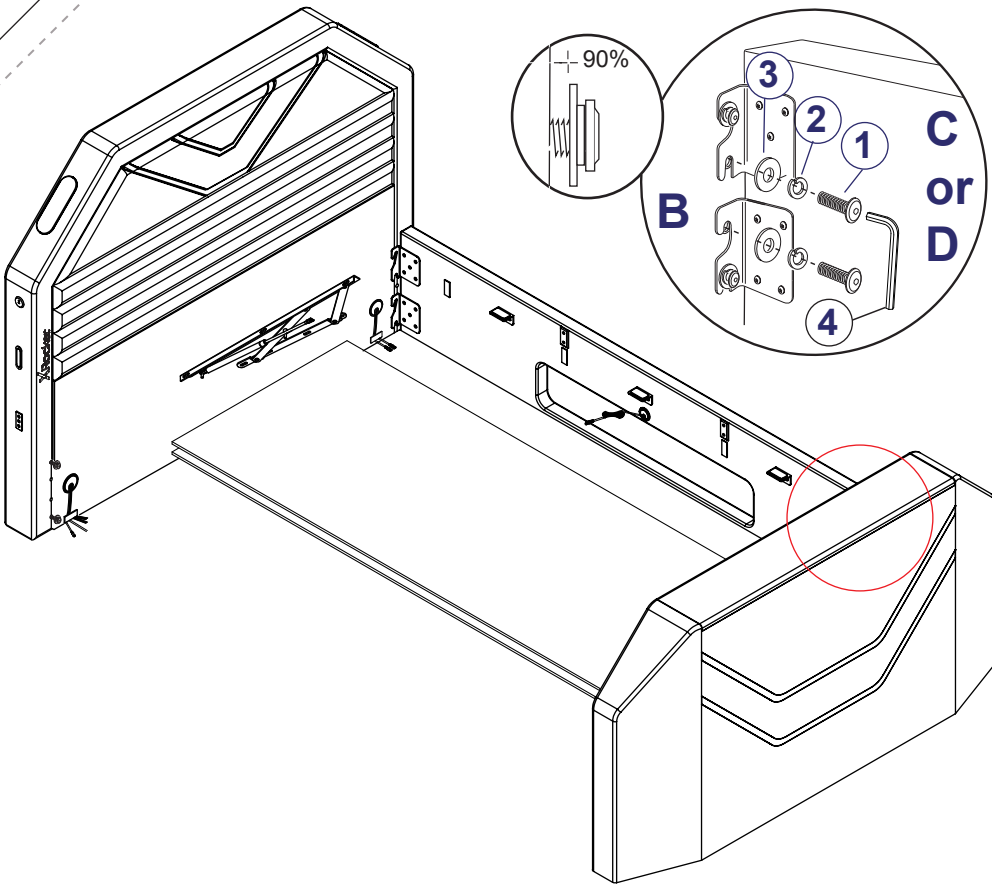
3 x2

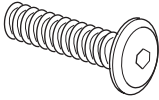


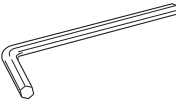
2 x2

4 x1

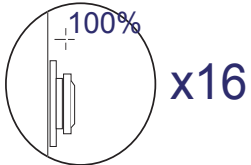
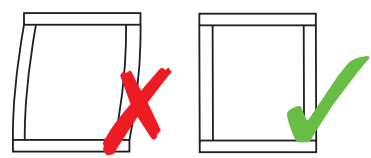
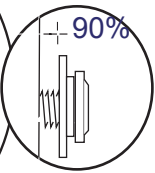
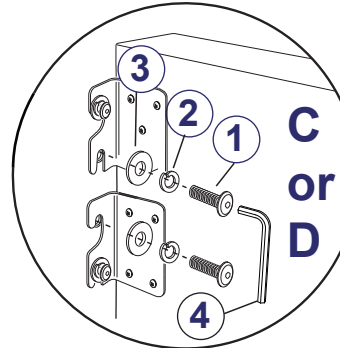
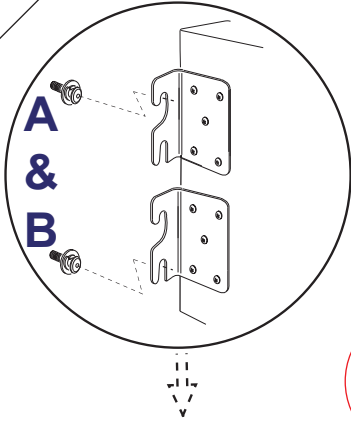
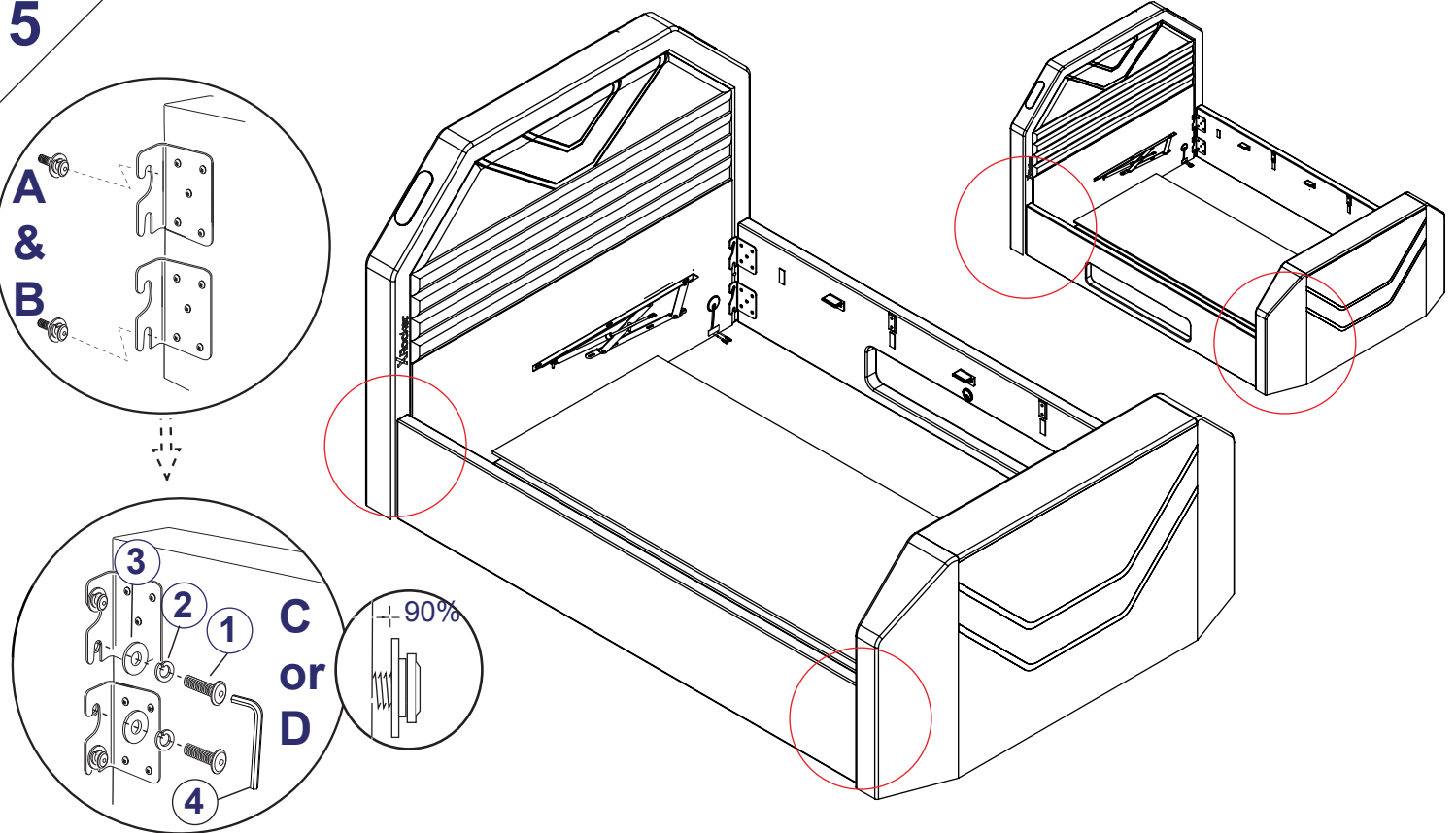


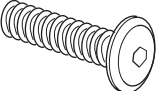


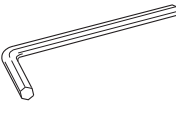
4



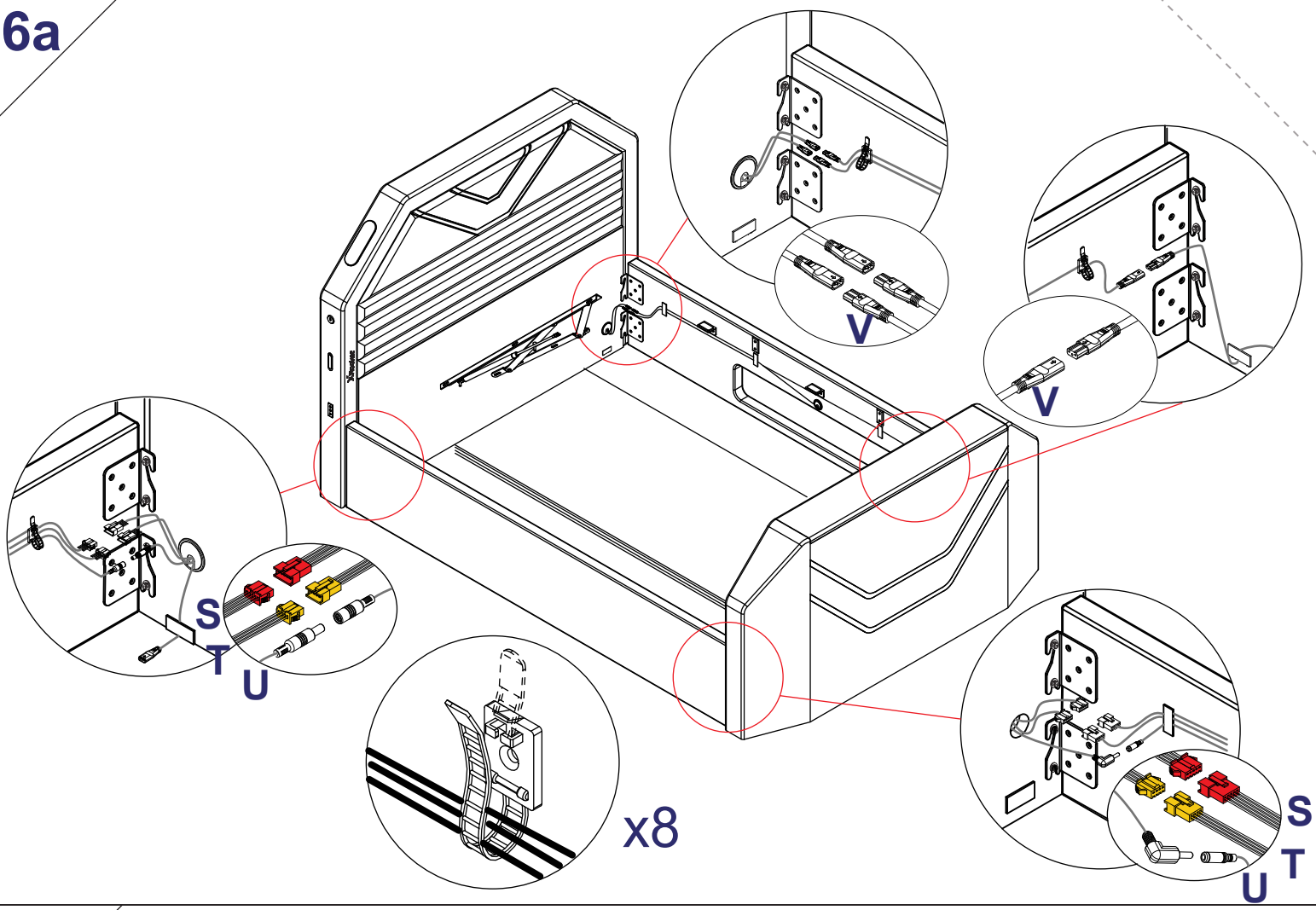
	
1 x2	3 x2
	
2 x2	4 x1

5

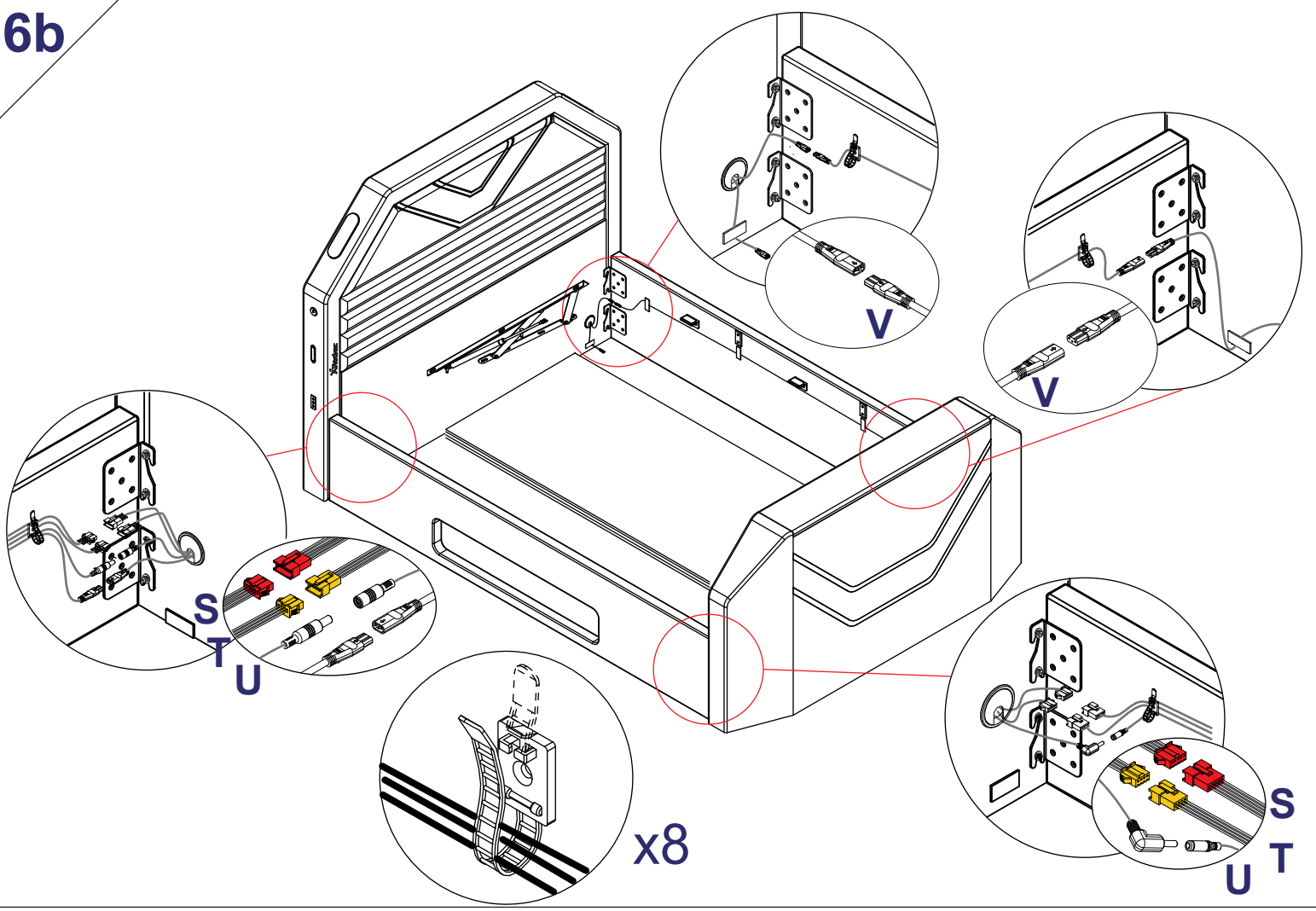


			
1 x4	2 x4	3 x4	4 x1

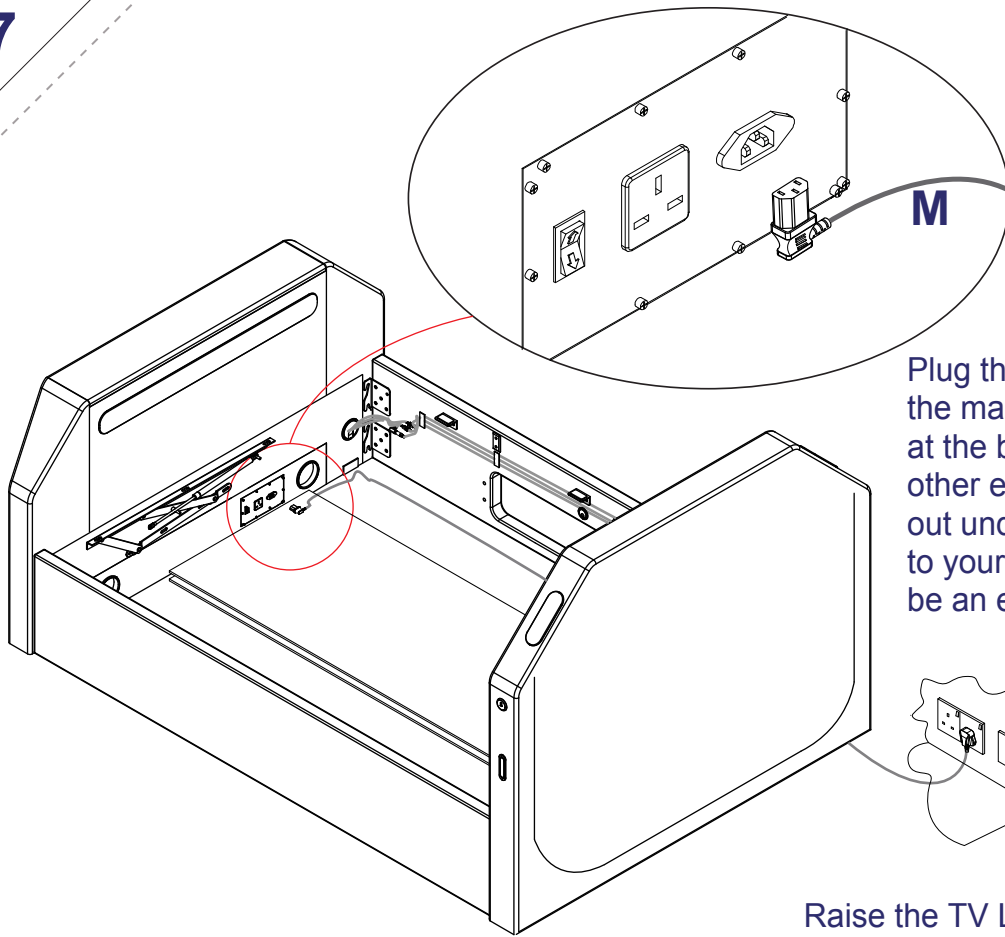
6a



6b

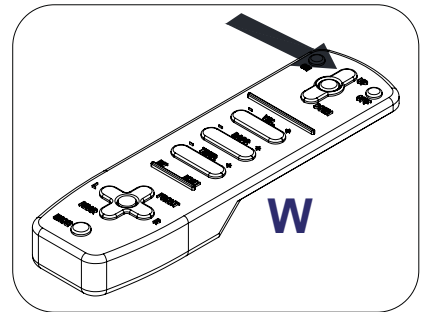


7



Plug the small power plug on one end of the mains power lead (M) into the socket at the bottom of the footboard. On the other end of the lead, bring the 3 pin plug out under the headboard and connect it to your wall socket - for safety this must be an earthed power supply.

Raise the TV Lift.



8

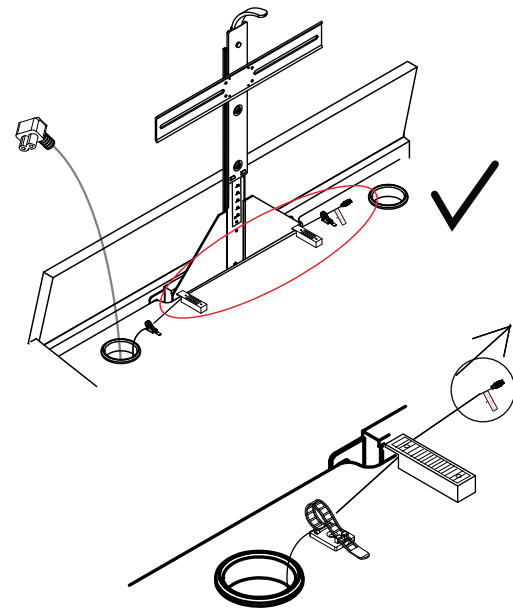
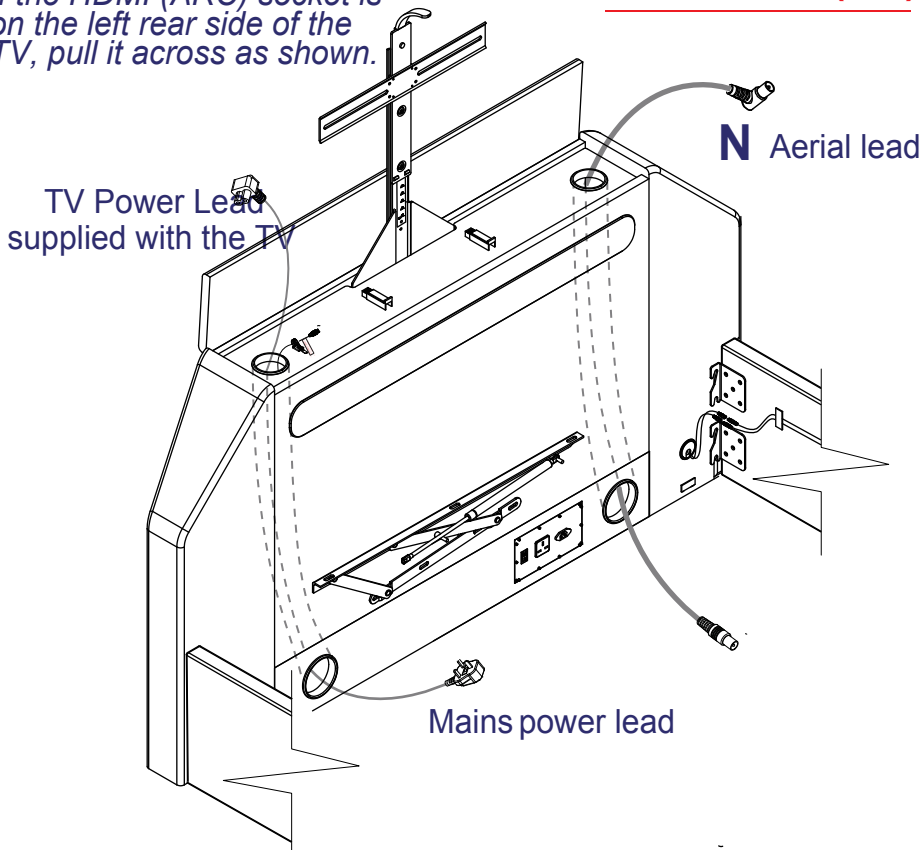
Note: For illustration purposes only, TV connections may vary.

Tip: Before fitting the TV, push any leads through each duct from the top choosing the best side to use depending on where the connection ports are on back of your TV.

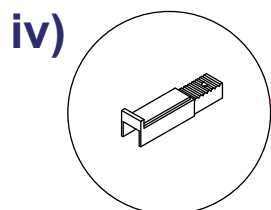
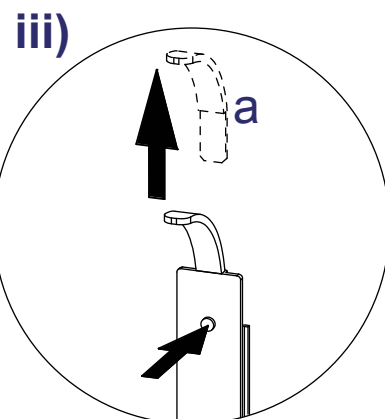
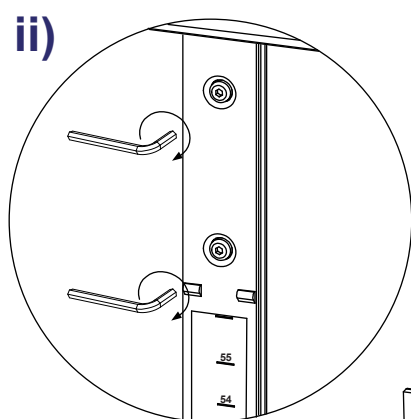
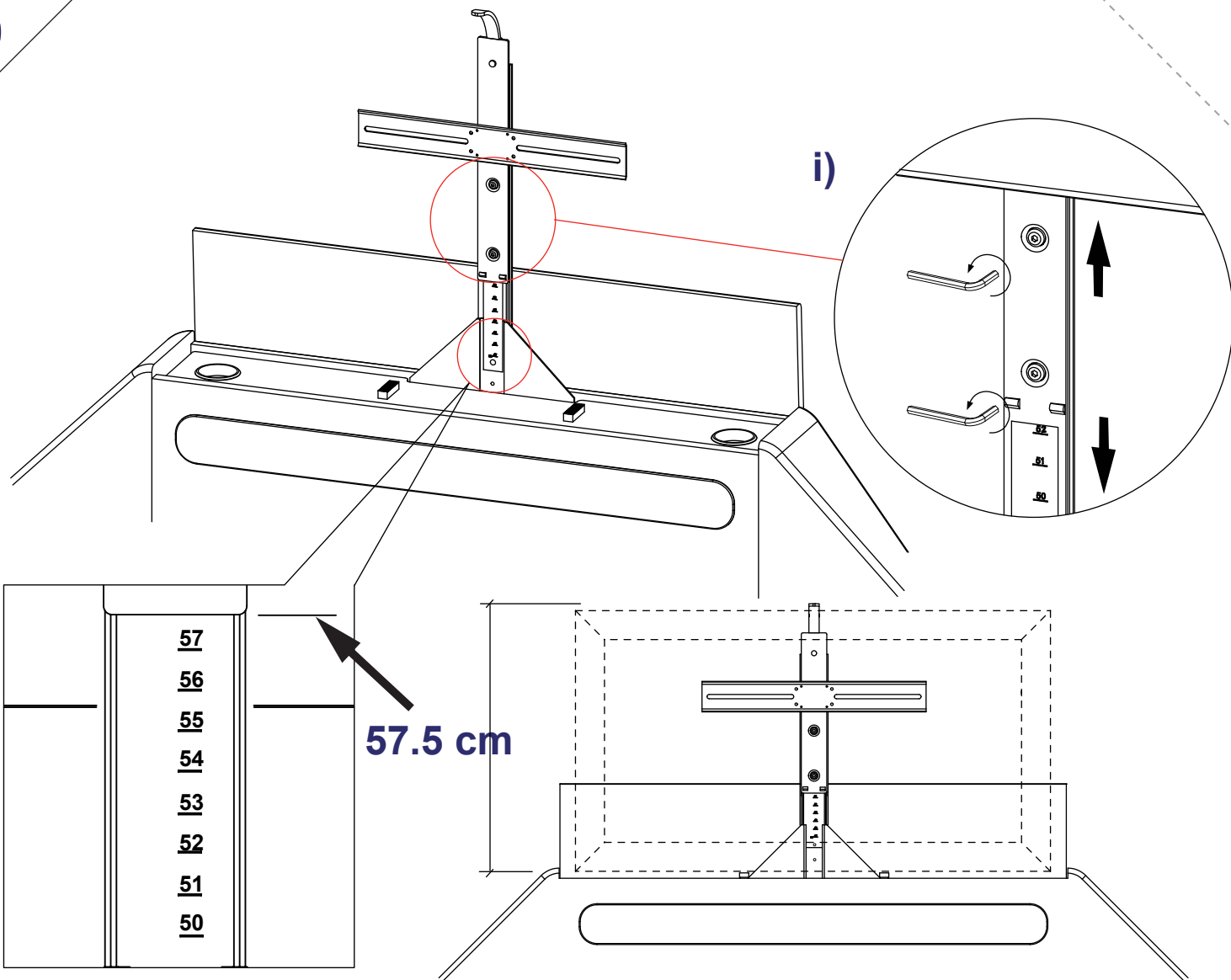
Never cross leads from one side to the other unless as shown in the instruction below

**HDMI PLUG FOR CONNECTION TO HDMI ARC SOCKET ON THE SIDE OF THE TELEVISION
MARKED: HDMI (ARC)**

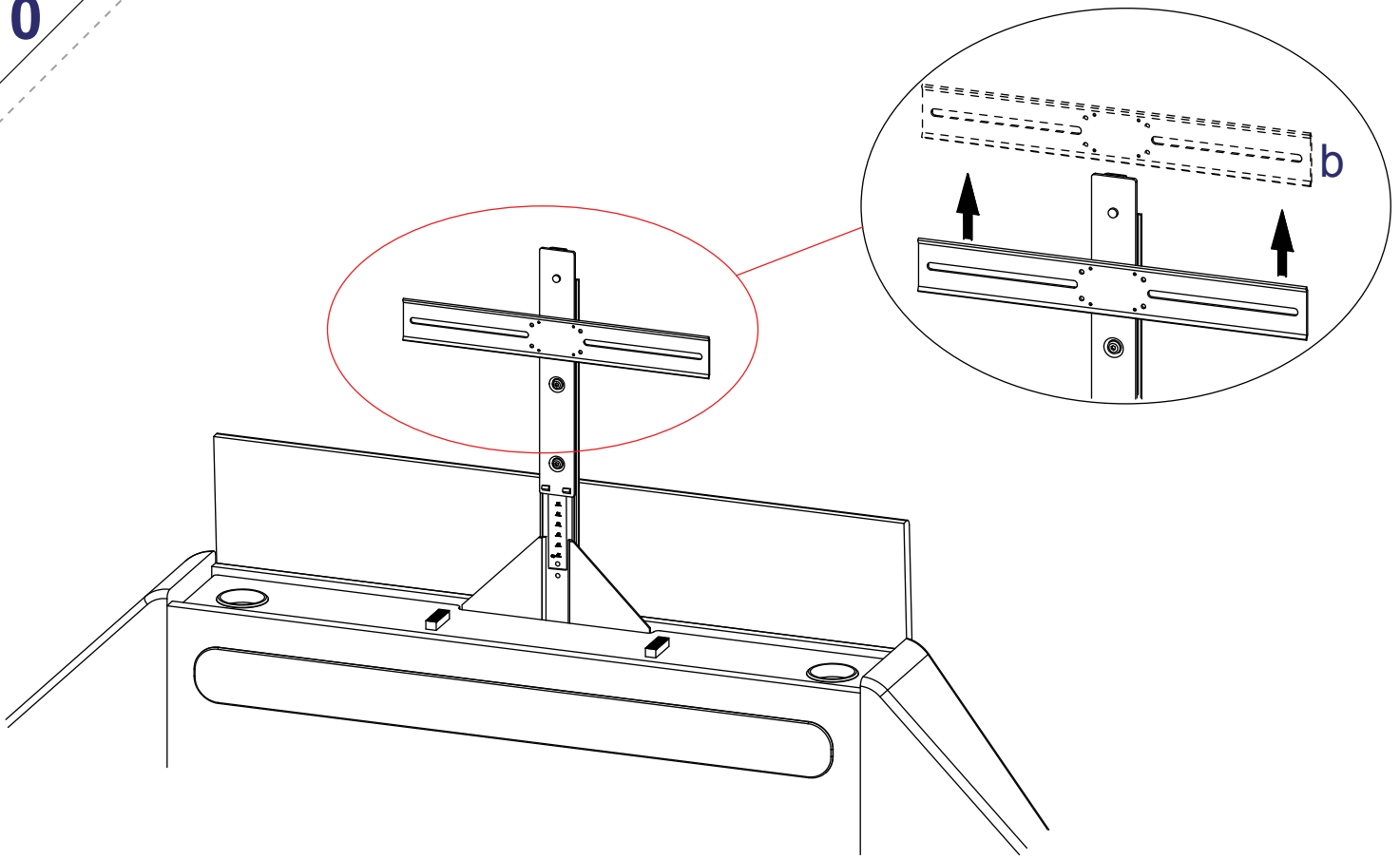
If the HDMI (ARC) socket is on the left rear side of the TV, pull it across as shown.



If the HDMI (ARC) socket is on rear right hand side of the TV, the plug is in the correct position.

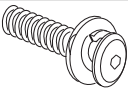
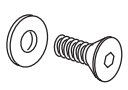
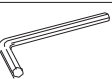


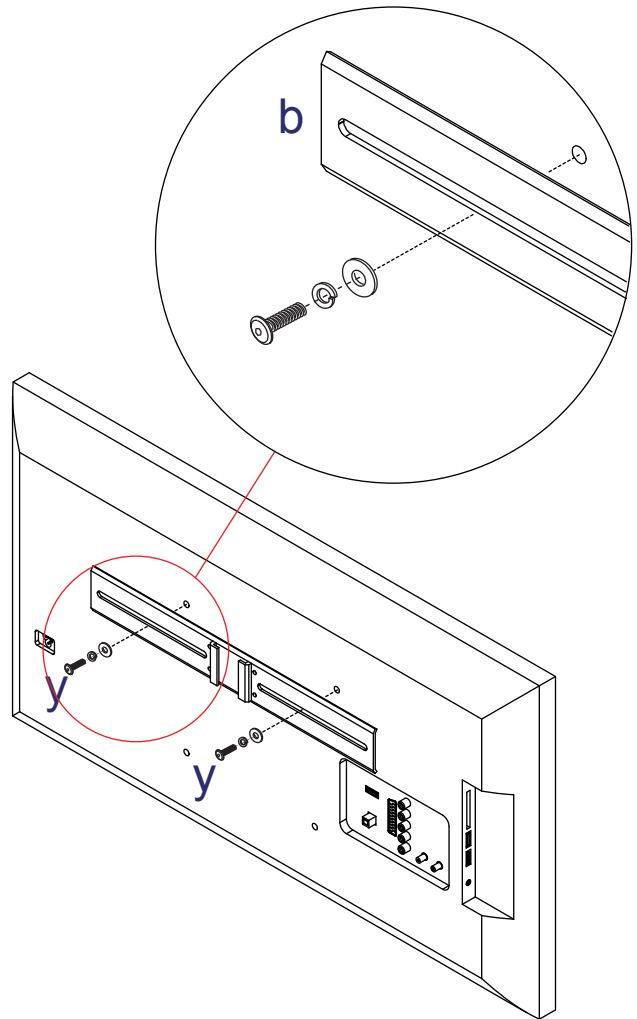
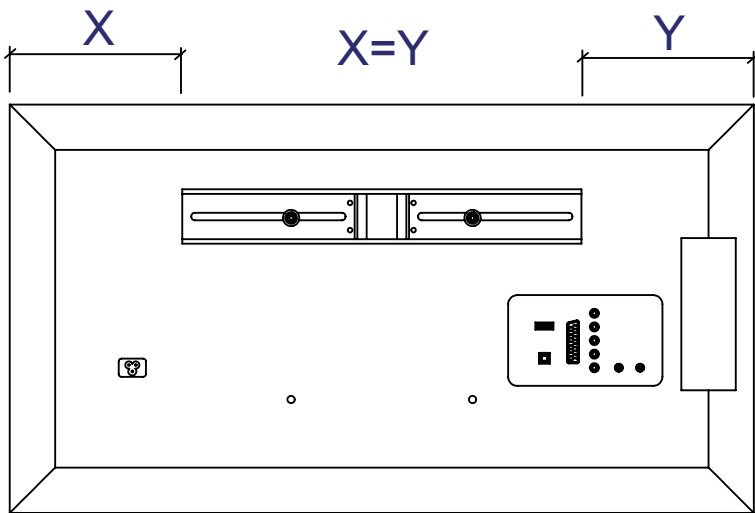
10



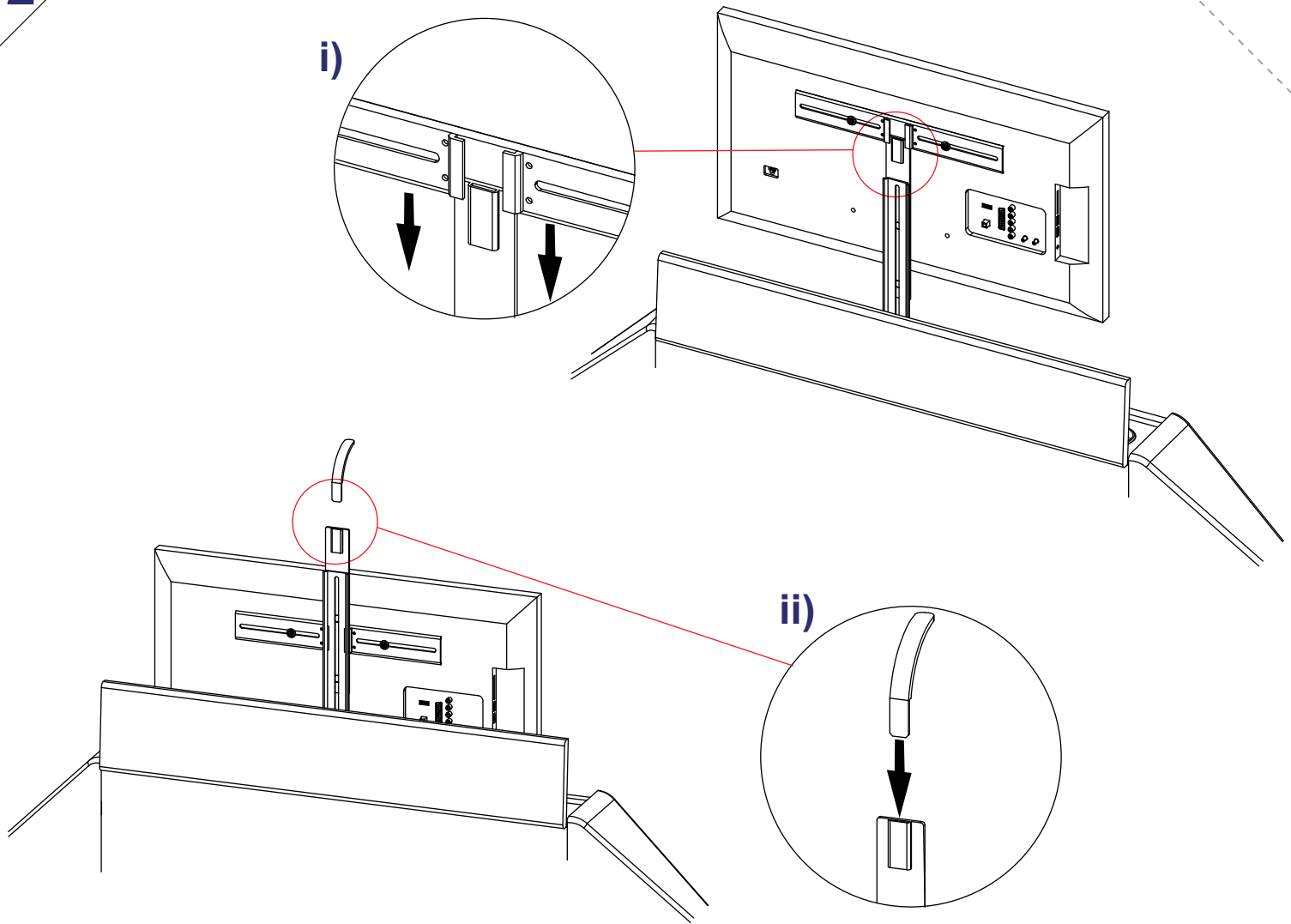
11

If hardware is not supplied with the TV, choose suitable fittings from the TV Kit

	<p>Bolt sets (M8 x 25mm)</p> 
y	<p>Countersunk screw sets (M6x12mm). Countersunk screw sets (M 4 x12mm).</p> 
z	<p>Allen Key (4mm). Allen Key (2.5mm).</p> 



12



13

Before connecting the television, please read the important information below.

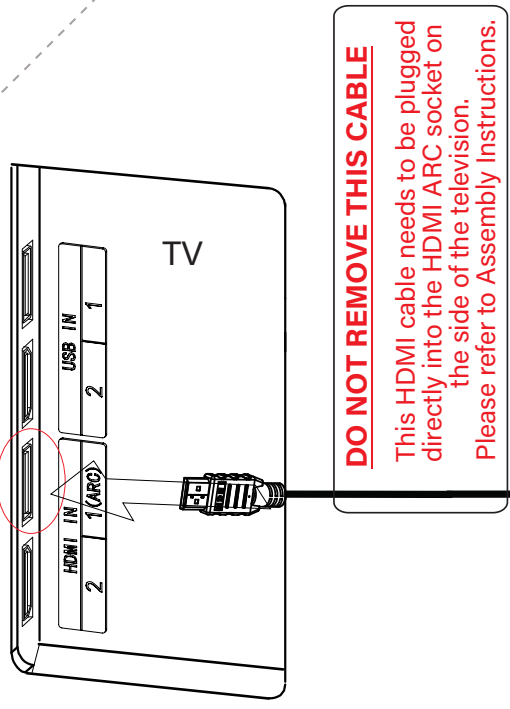
The bed is fitted with a real 5.1 six channel surround sound amplifier that should be connected to the television fitting the HDMI plug into the HDMI ARC socket on the side of the TV.

The HDMI ARC connection on the TV is the OUTPUT of audio from television to the amplifier which is then processed and sent by the amplifier to the various speakers. The other HDMI sockets on the TV only accept INPUT signals from the various devices you might connect to, such as SKY, USB, DVD & Gaming consoles etc..

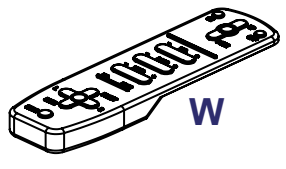
Note that the TV must be transmitting the 5.1 signals from an appropriate audio device to the TV and then each channel is routed to the correct one of the six speakers by the amplifier, this is how surround sound is created.

The amplifier will correctly decode the input signals such as 2.1 Stereo or real 5.1 surround sound as they were recorded and will automatically decode the signals appropriately, depending on the input.

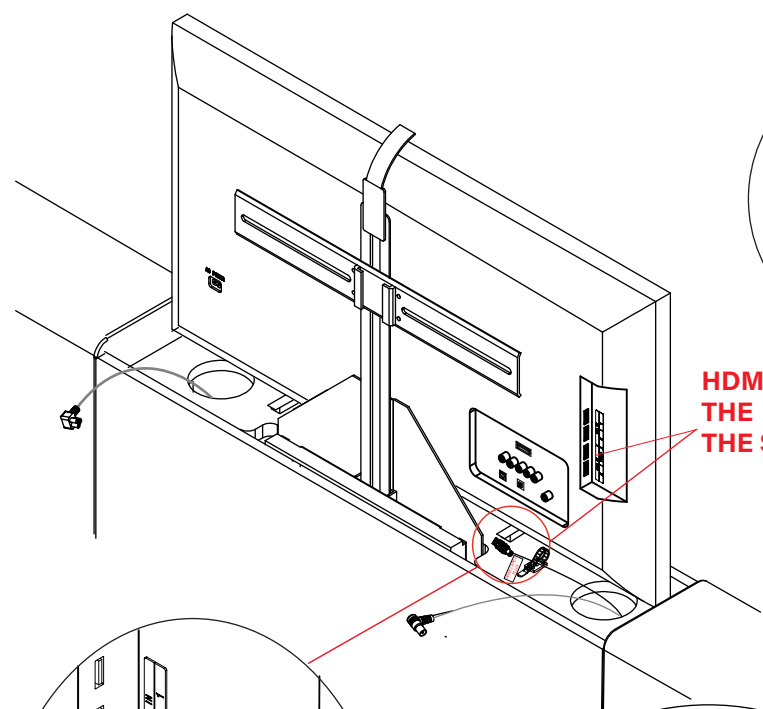
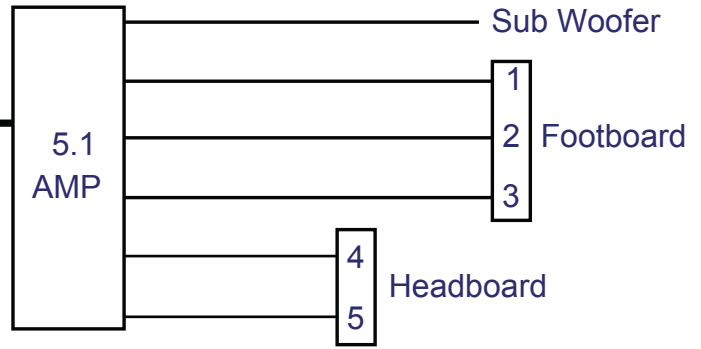
To get the best audio experience when streaming multi-channel or playing a 5.1 Game or movie, please set the TV to the correct 5.1 audio sound output - please read the television user guide for more information.



DO NOT REMOVE THIS CABLE
 This HDMI cable needs to be plugged directly into the HDMI ARC socket on the side of the television. Please refer to Assembly Instructions.

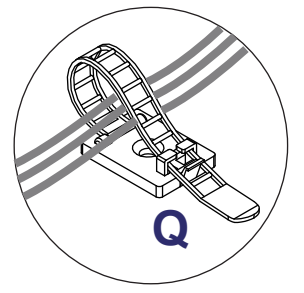
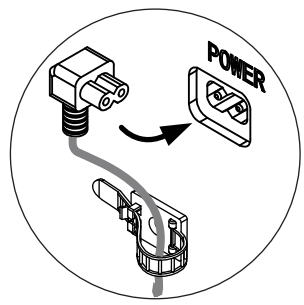


RC controls the 5.1 Surround Sound amplifier, please read the Operation Guide on page 27. The RC is also used to move the TV up or down.



TV Power Lead

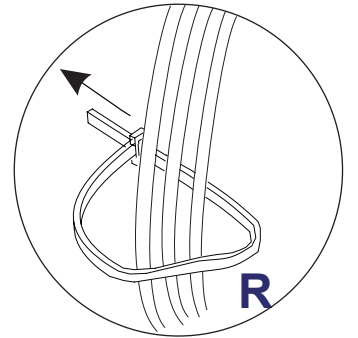
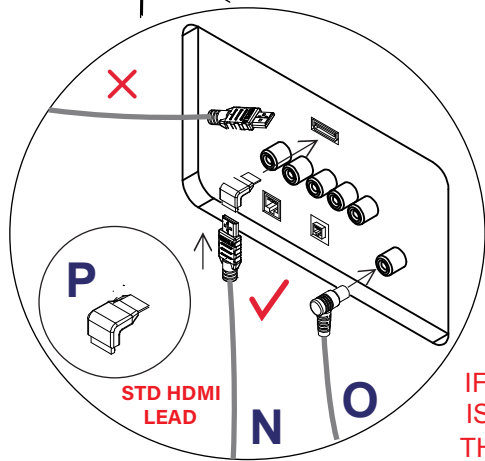
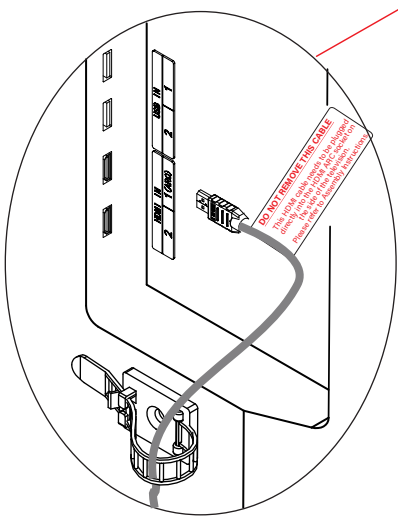
Keep wires tight so they can't get snagged. Peel off cover from cable clips, adhere to back of the TV.



HDMI PLUG TO CONNECT TO THE HDMI ARC SOCKET ON THE SIDE OF THE TELEVISION

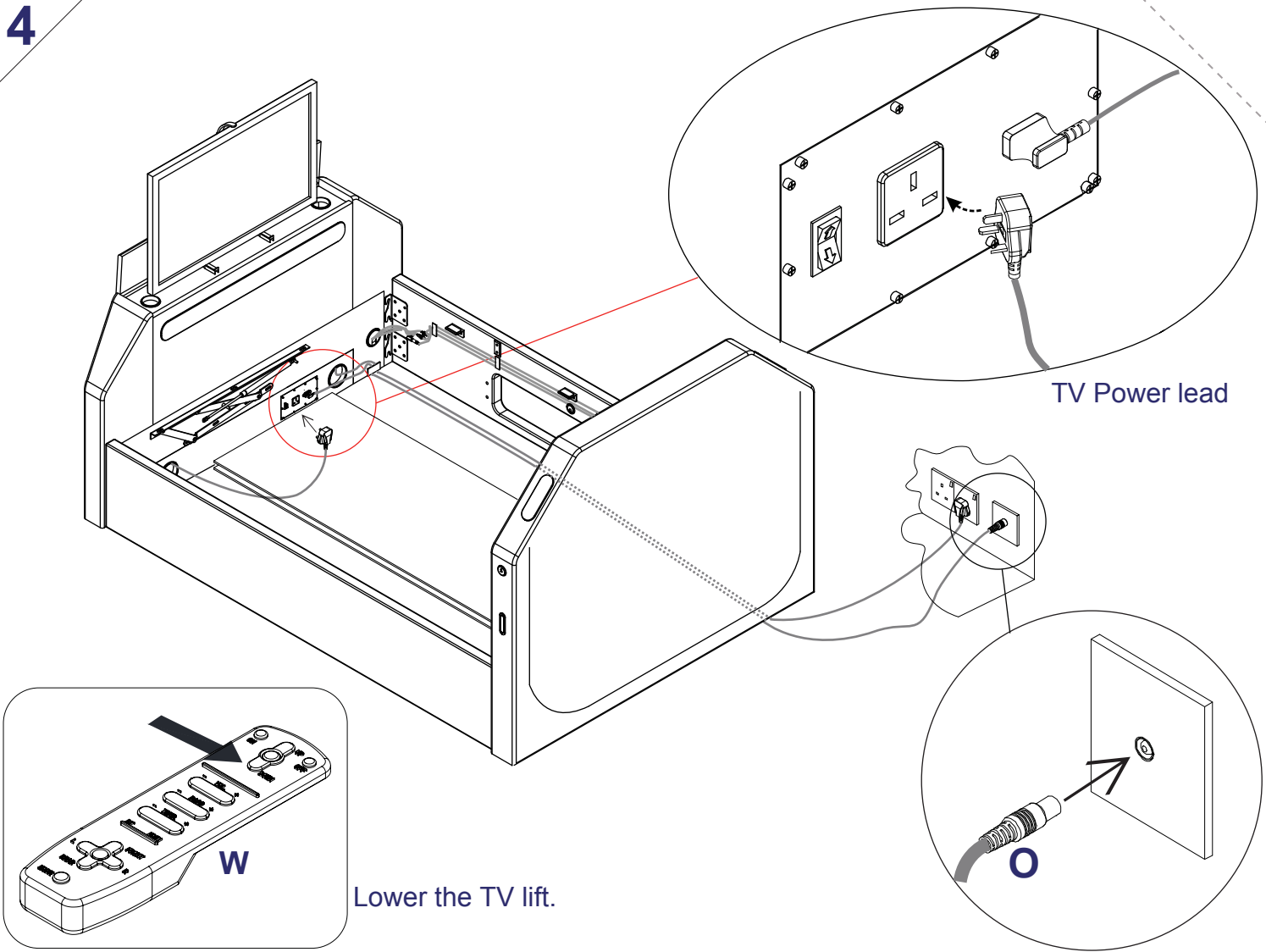


PLUG IN- KEEP ALL LEADS TIGHT - USE CLIPS & TIES PROVIDED

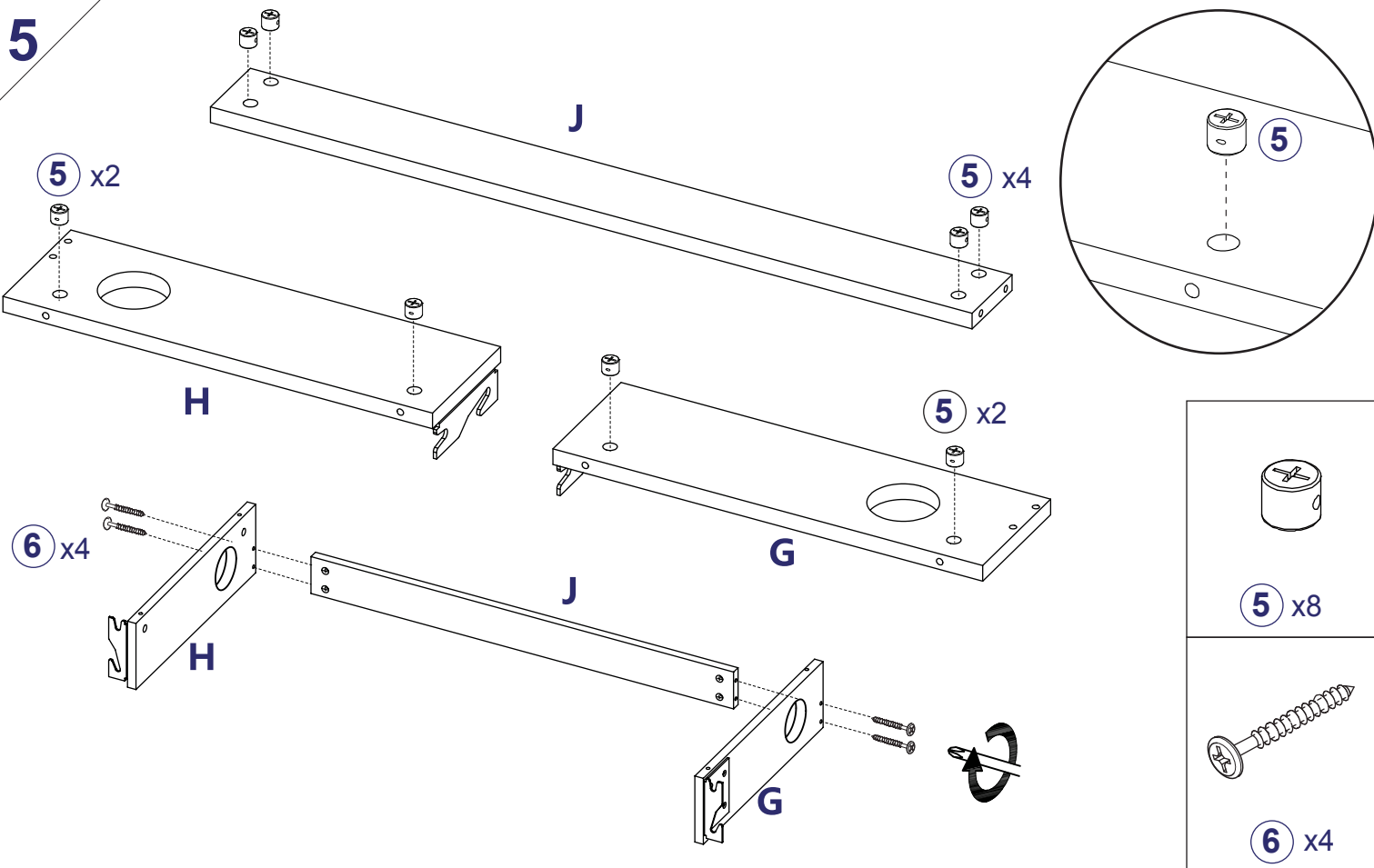


IF A STANDARD HDMI SOCKET IS SITUATED ON THE BACK OF THE TV, PLEASE USE THE HDMI 90° ADAPTER (P)

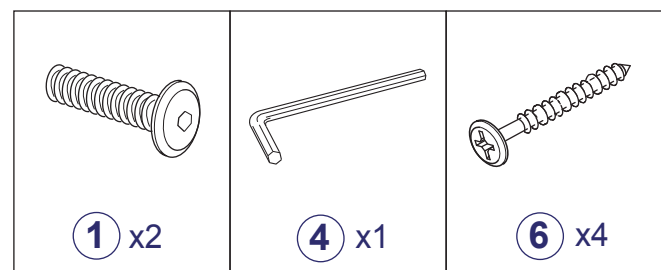
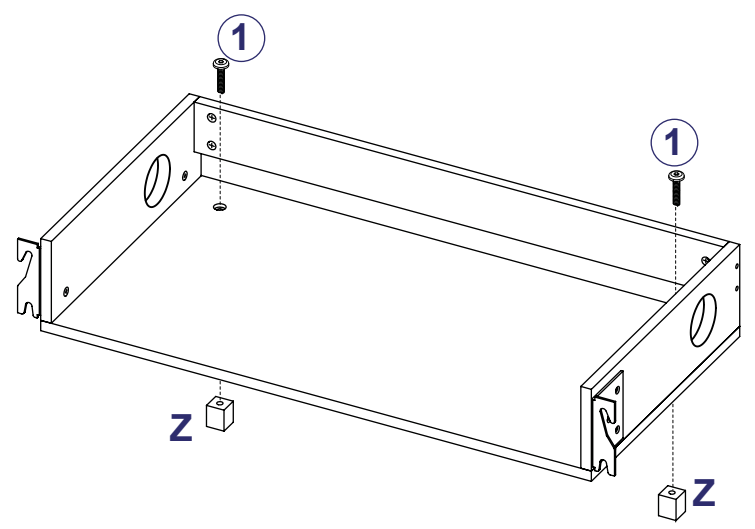
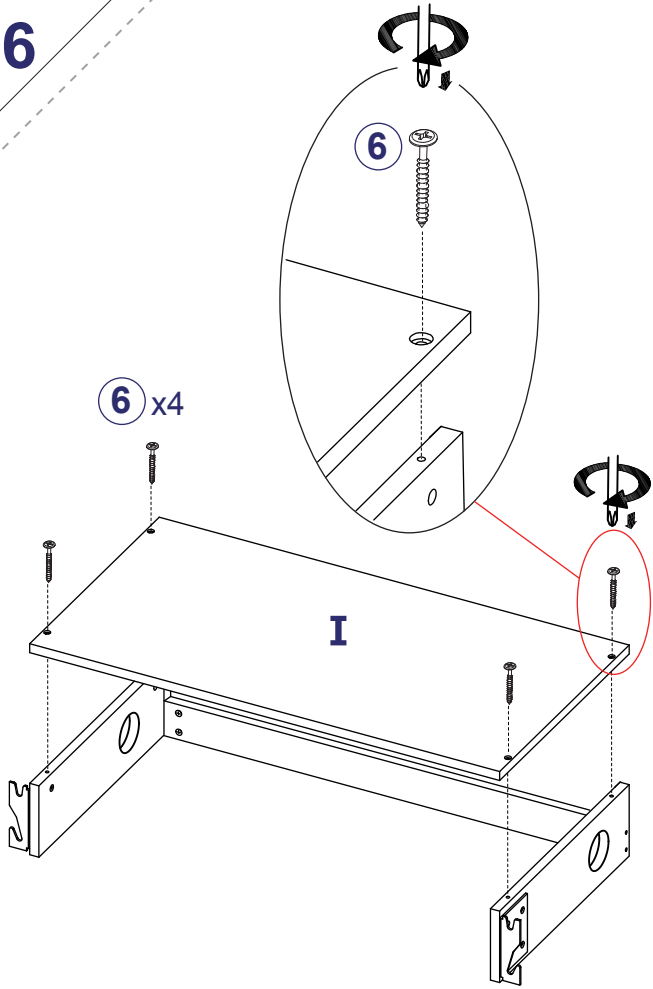
14



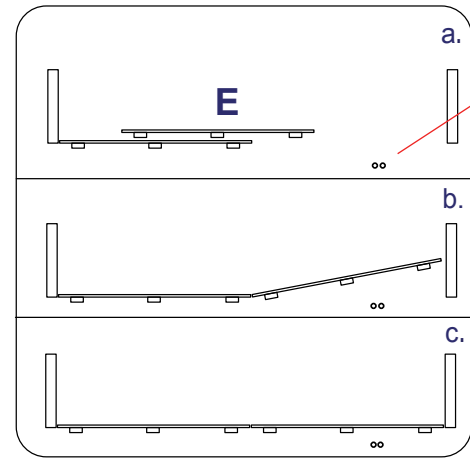
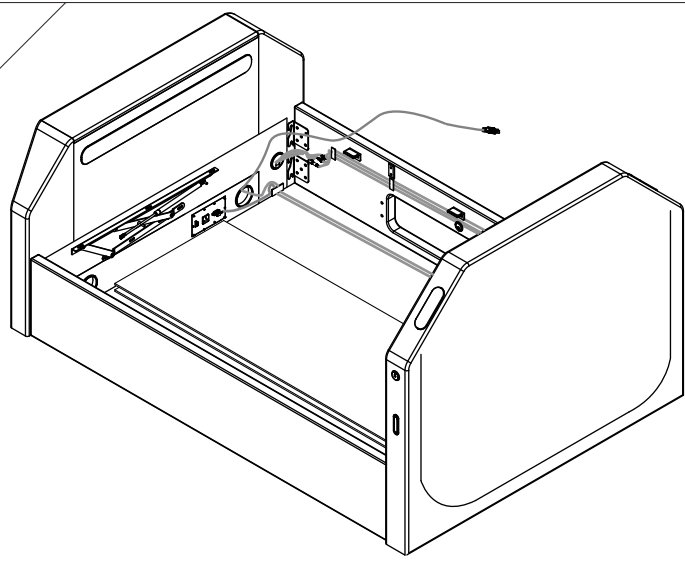
15



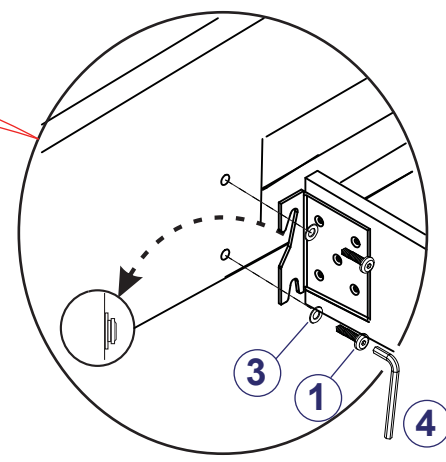
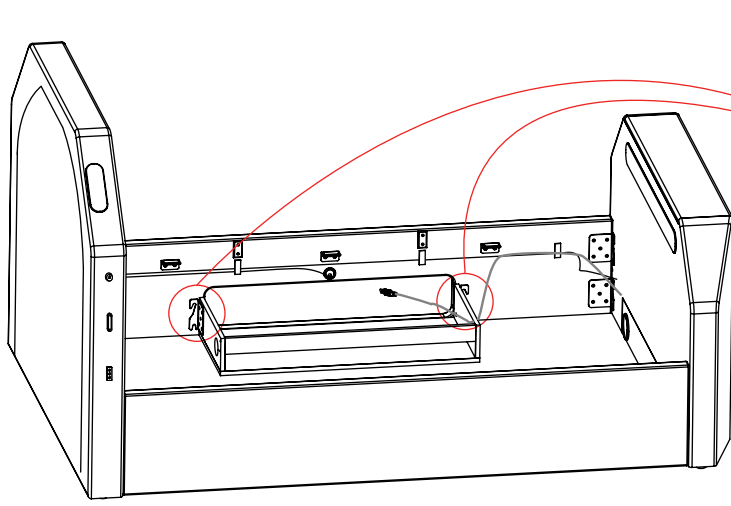
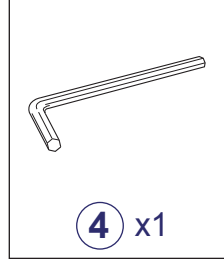
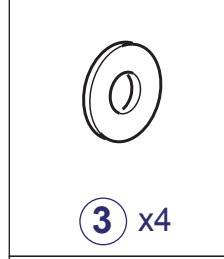
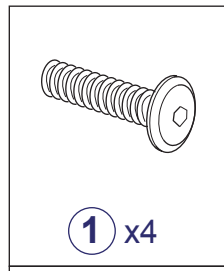
16



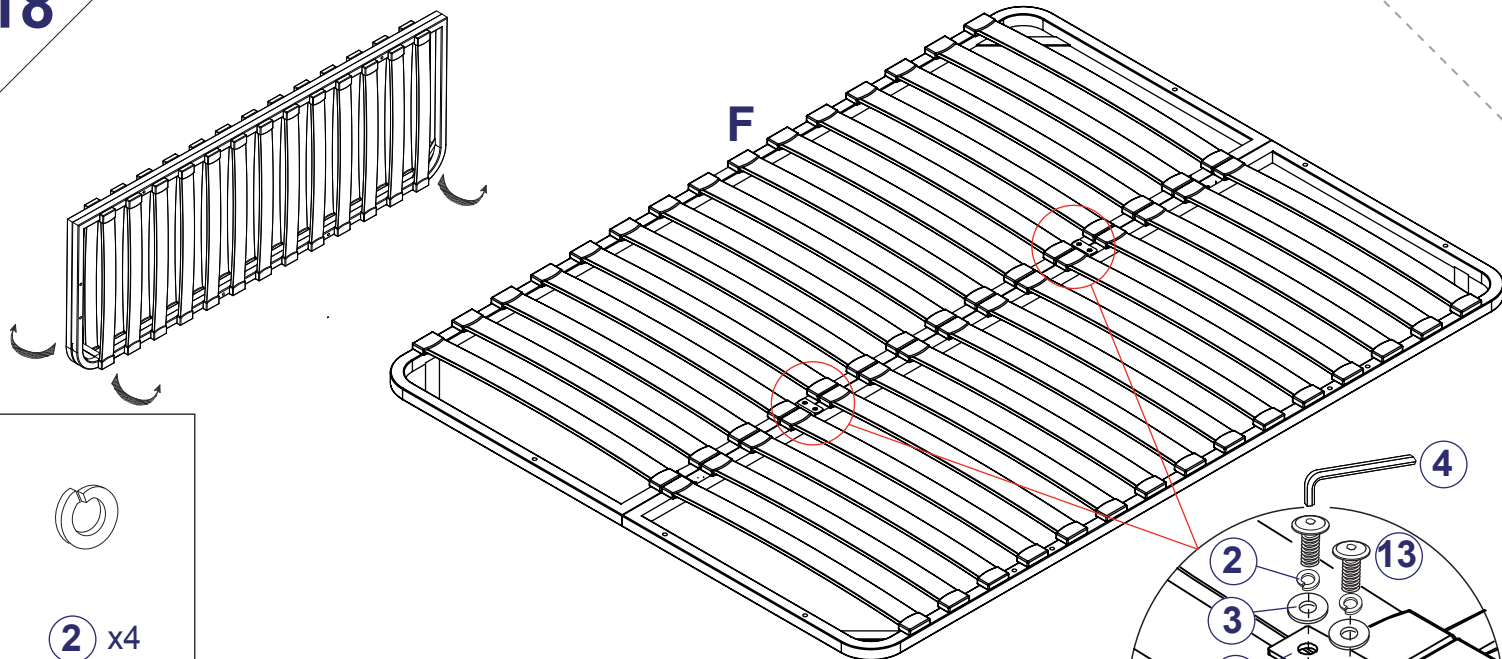
17



MAINS POWER & AERIAL LEADS



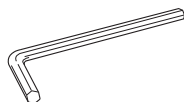
18



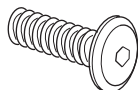
2 x4



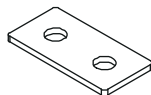
3 x4



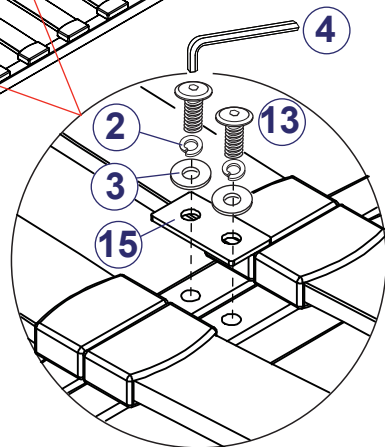
4 x1



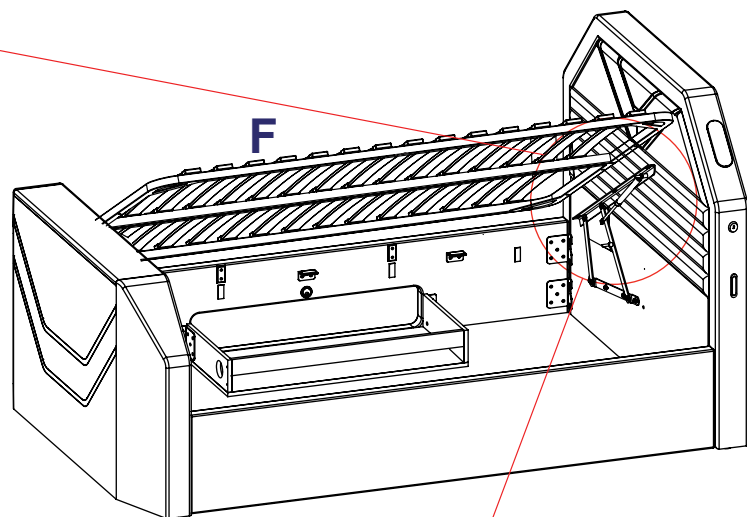
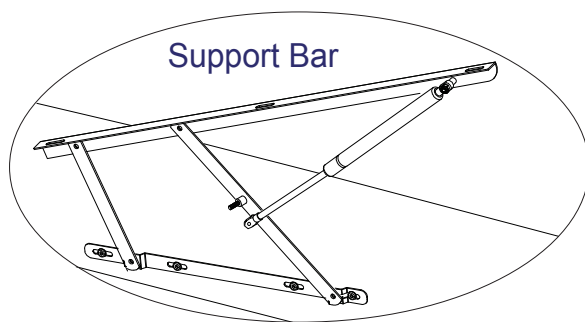
13 x4



15 x2



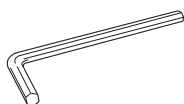
19



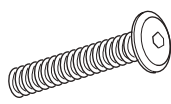
2 x6



3 x12



4 x1



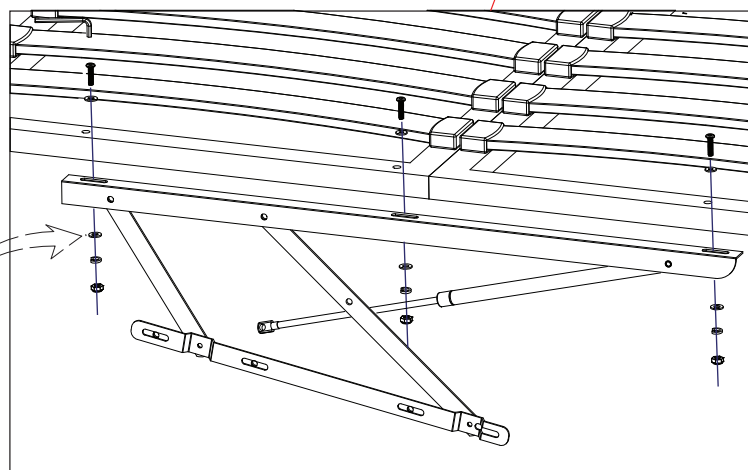
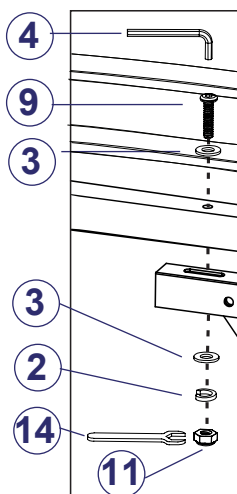
9 x6



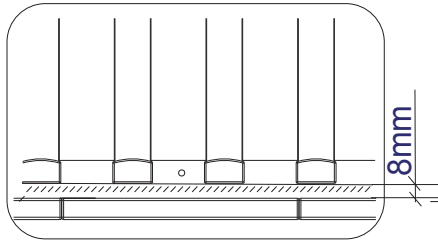
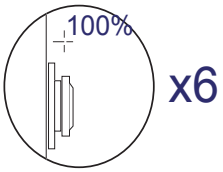
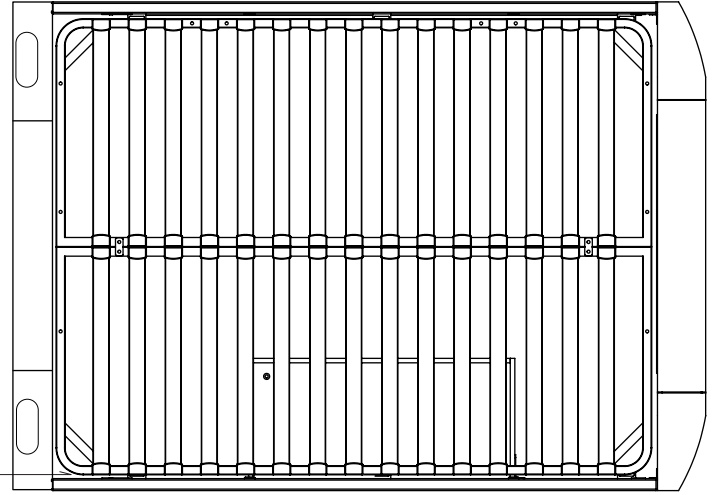
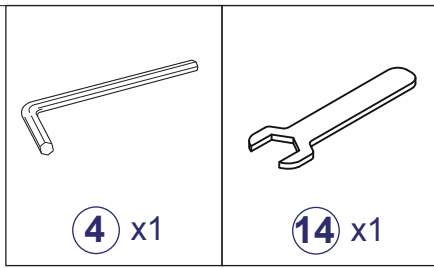
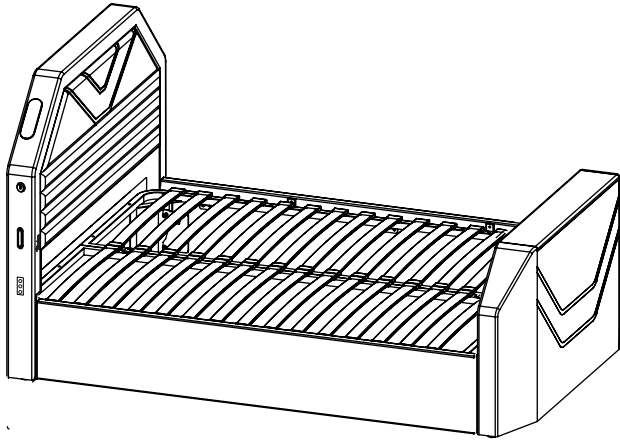
11 x6



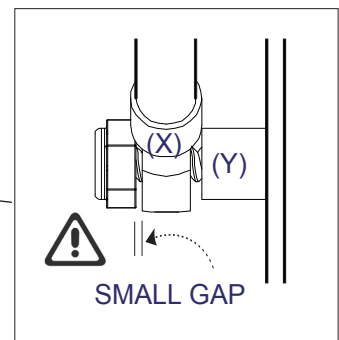
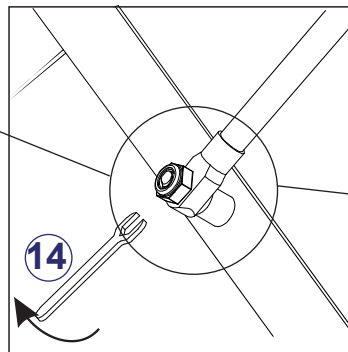
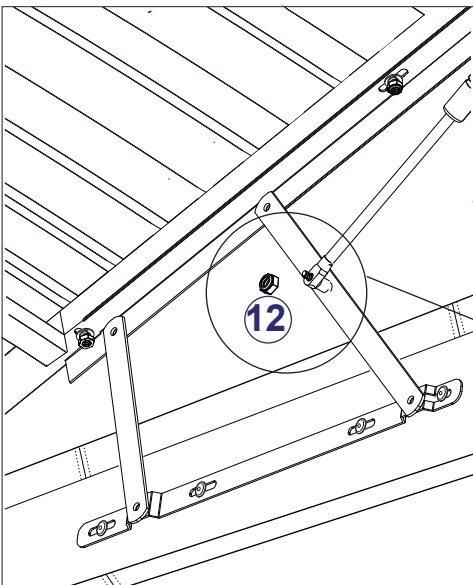
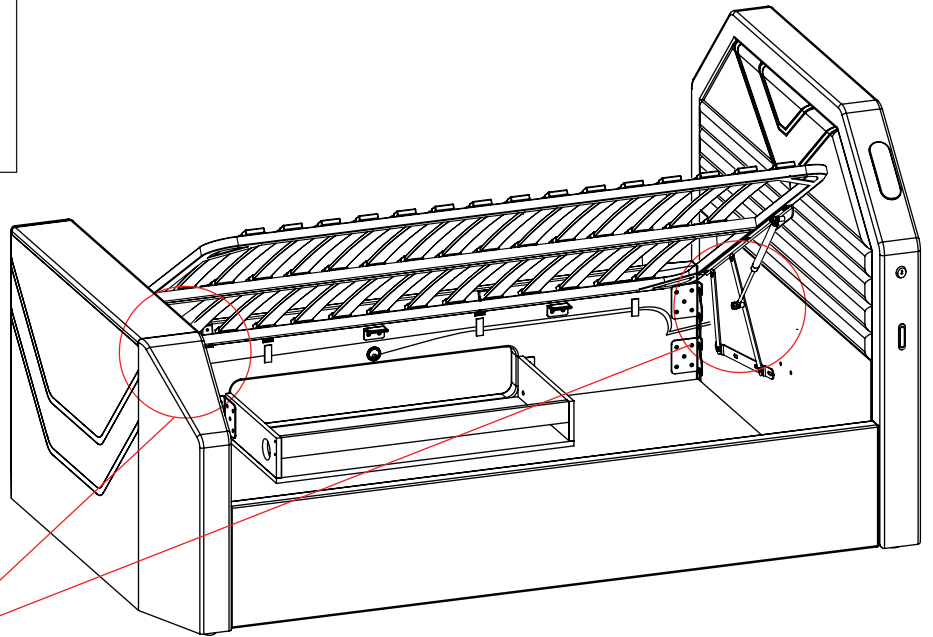
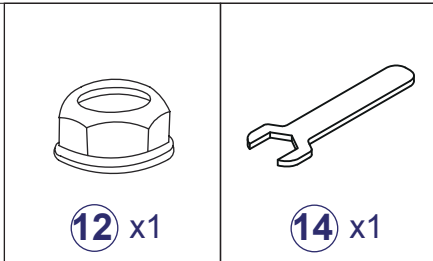
14 x1



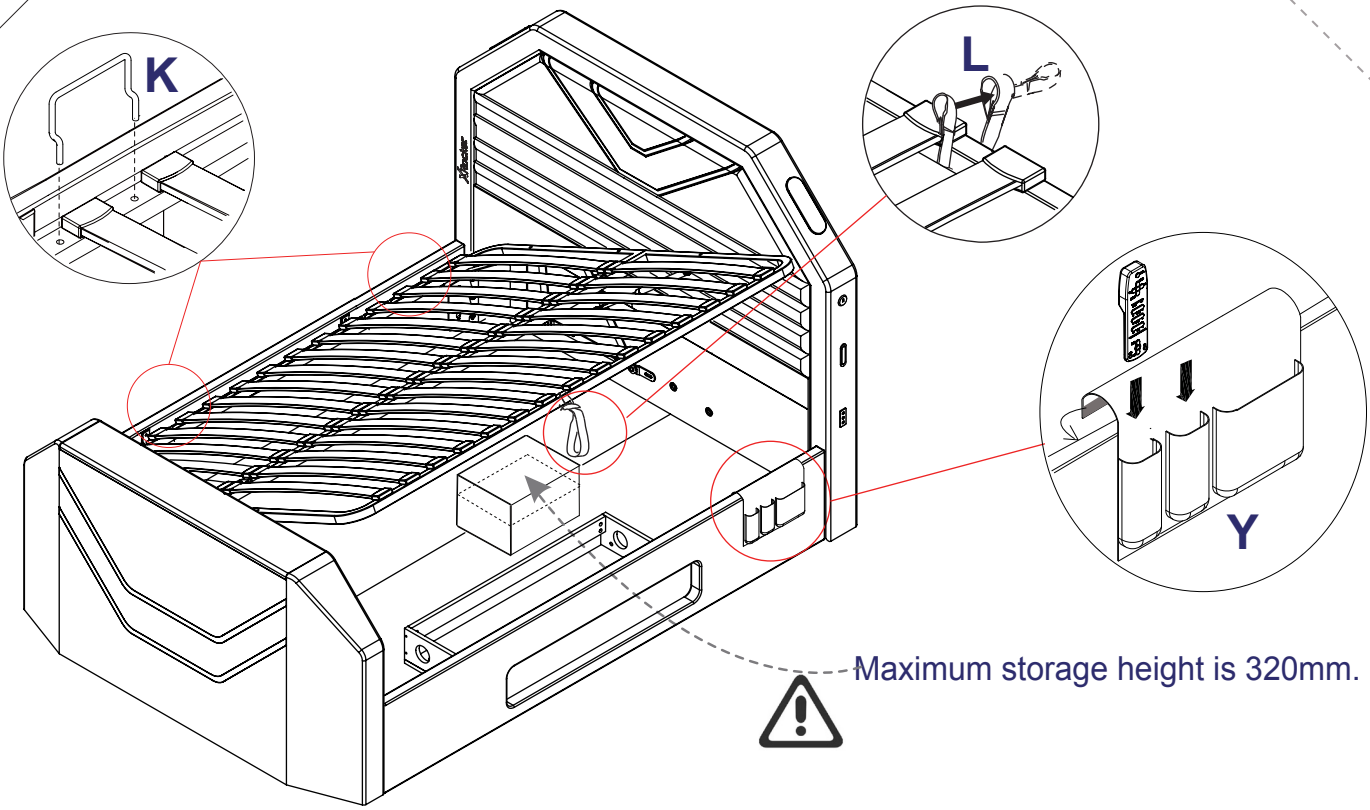
20



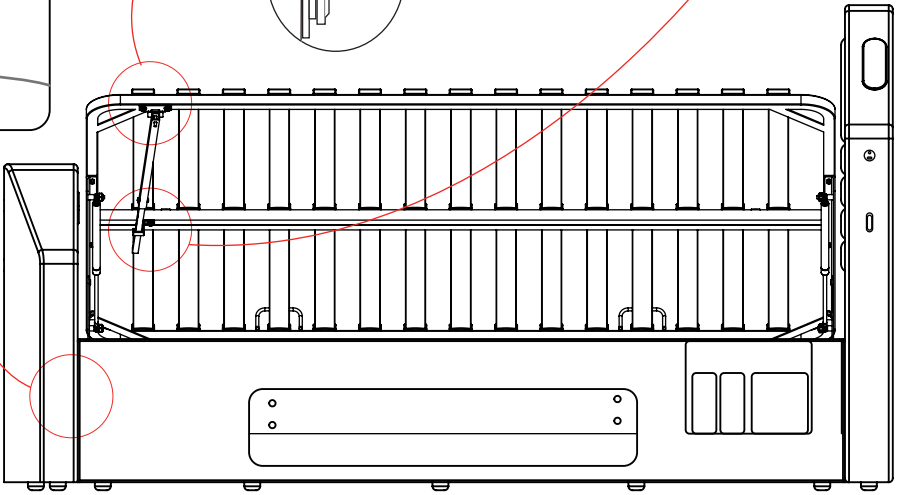
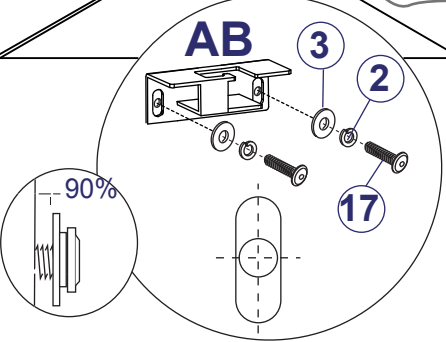
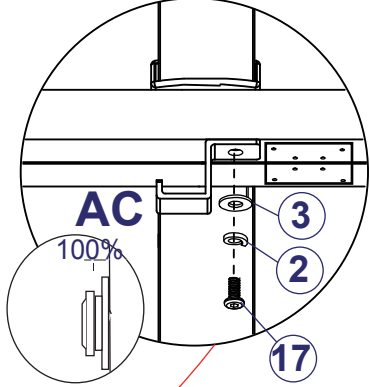
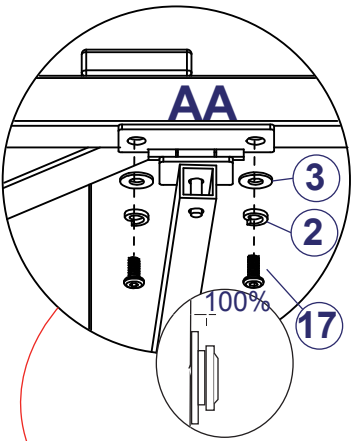
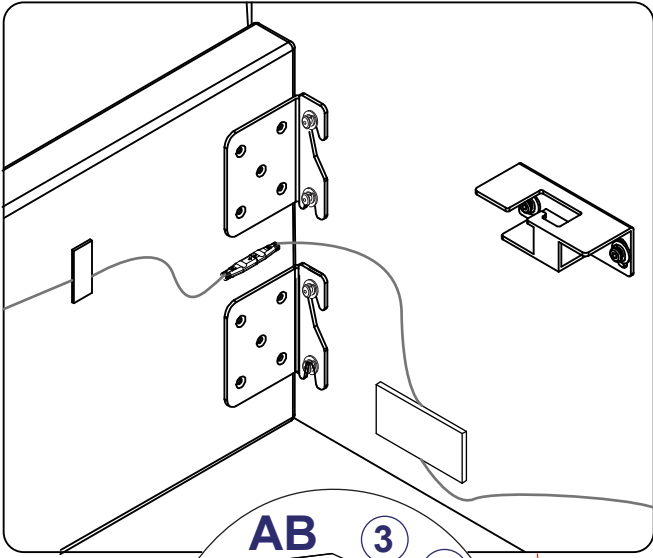
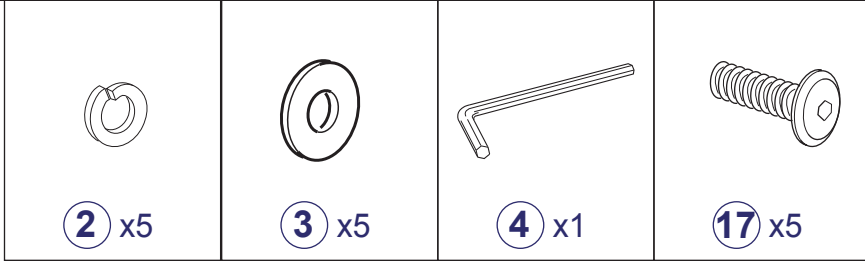
21

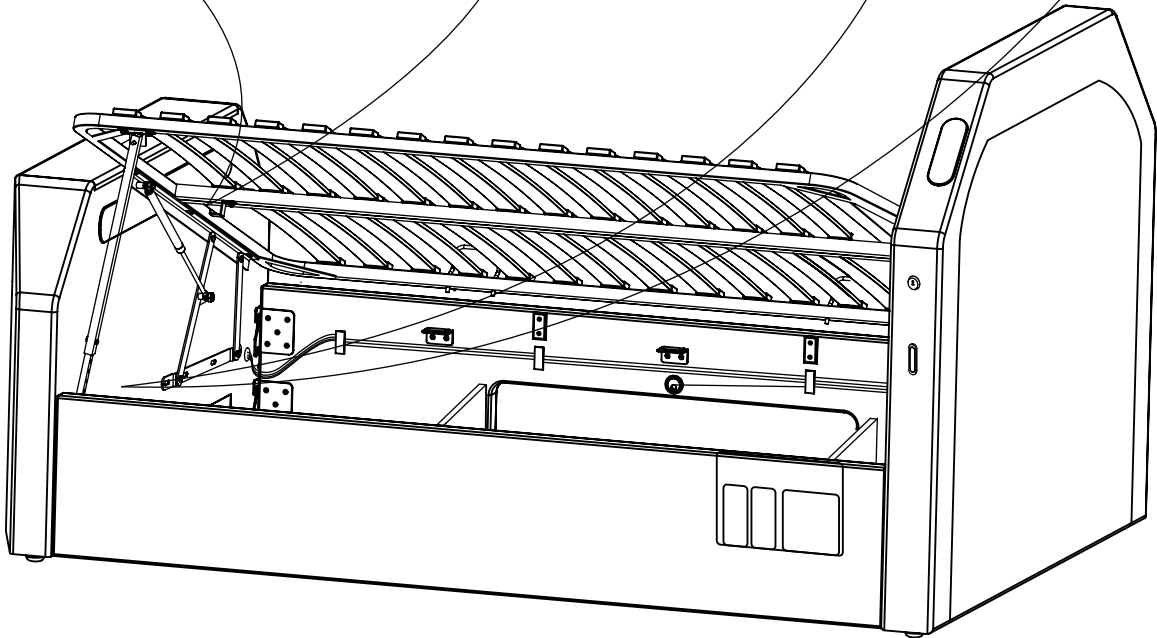
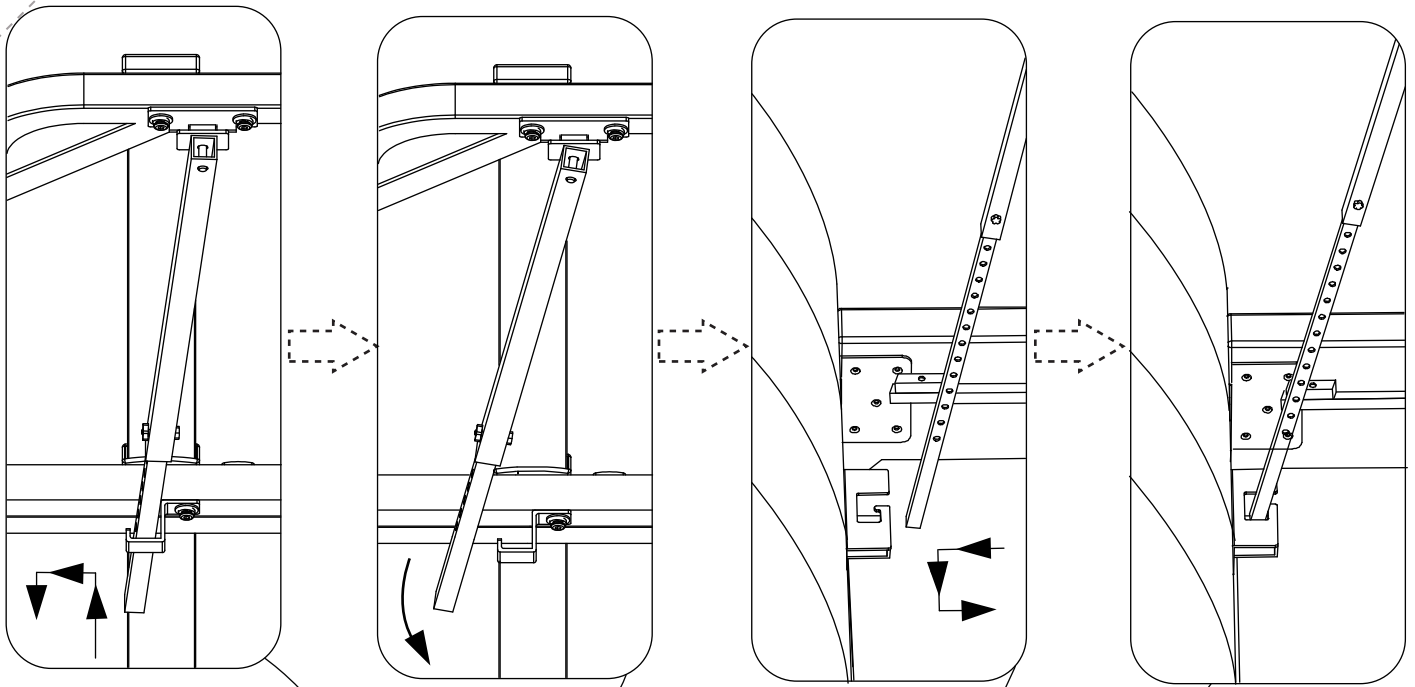


22

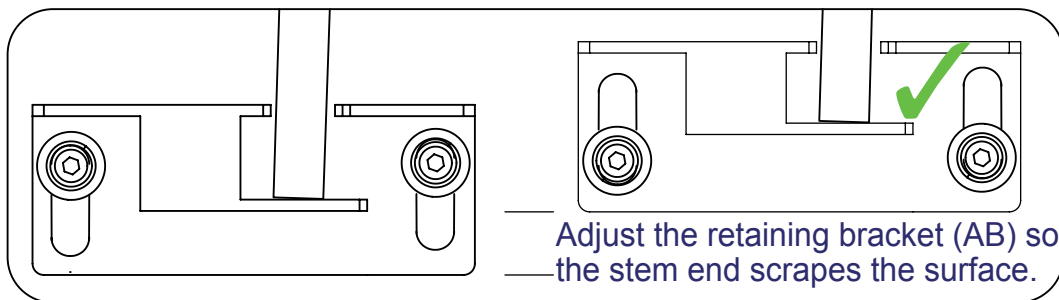
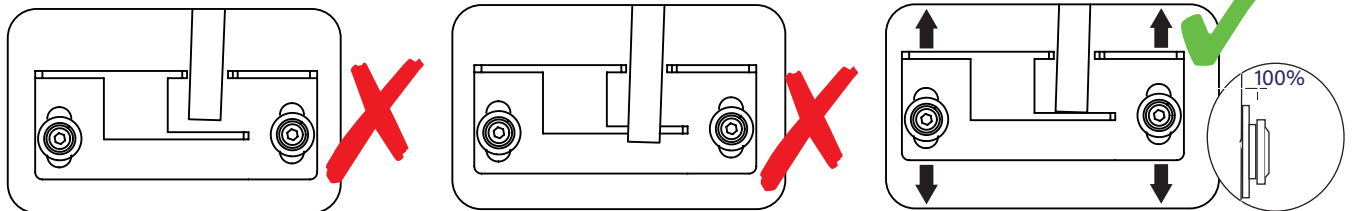


23





Set the inner stem to the correct length so the end just touches the retaining bracket - it needs to touch to hold it in position.



Adjust the retaining bracket (AB) so the stem end scrapes the surface.

Technical Specifications

Max TV Size: 975 x 575 x 85 (WHDmm)

Overall Dimensions (LWH mm)

Small Double: 2265 x 1365 x 1245

Double: 2265 x 1515 x 1245

King: 2365 x 1665 x 1245

Storage Dimensions (LWH mm)

Small Double: 1930 x 1230 x 320

Double: 1930 x 1380 x 320

King: 2030 x 1530 x 320

Media Tray Dims (WDH mm)

885 x 400 x 158

Distance between slats 70 mm

Slat Dimensions (LWH mm)

Small Double: 595 x 53 x 9

Double: 670 x 53 x 9

King: 745 x 53 x 9

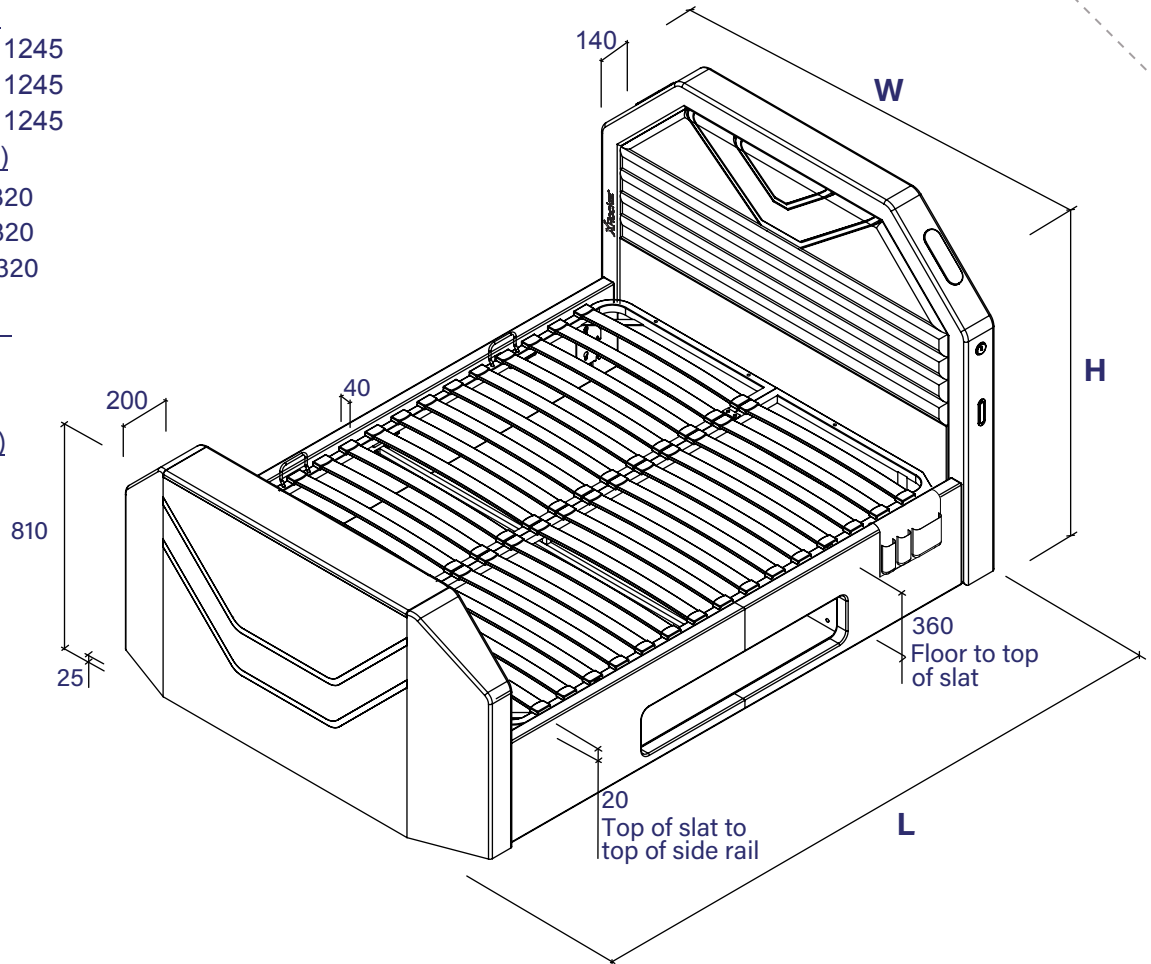
Ottoman Piston Rating

Small Double: 600N

Double & King: 750N

LED Lifespan

15,000 Hours, equal to 10 years of usability (based on 4 hours usage per day)



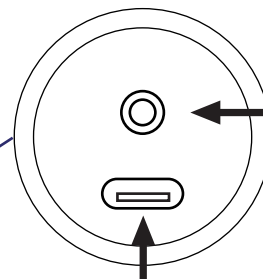
SPEAKER

**TYPE C USB/
Headphone module**

HEADPHONE HOOK

LED CONTROLLER

MODULE FITTED TO EACH SIDE OF THE HEADBOARD

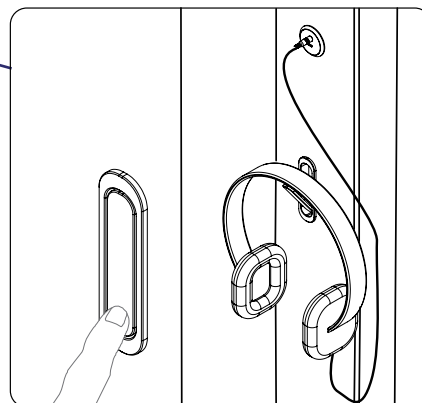


HEADPHONE SOCKET

PLUG A 3.5mm HEAD-PHONE JACKPLUG INTO THIS SOCKET AND SOUND FROM MAIN SPEAKERS IS CUT OFF.

TYPE-C CHARGING SOCKET

PUSH A TYPE 'C' USB PLUG INTO THIS SOCKET TO CHARGE ANY SUITABLE DEVICE -.NOTE THIS USB IS FOR CHARGING ONLY, IT CANNOT PLAY MUSIC OR VIDEOS THROUGH THE SYSTEM.



Real 5.1 SS Audio System HDMI (ARC) amplifier system

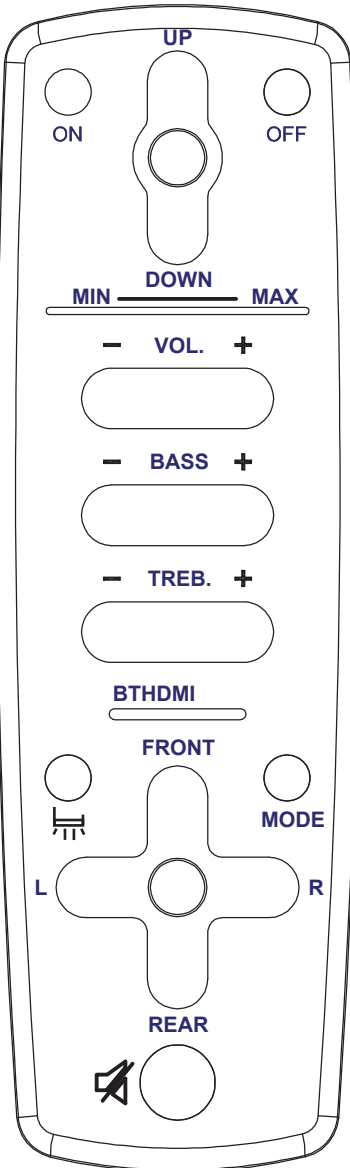
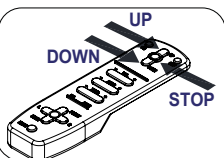
Music Power total = 210 Watts.

Three front speakers x30W

Two Rear speakers x30W

One Sub Woofer x60W

OPERATION GUIDE

<p>Remote Control (W)</p> 	<p>TURN AMPLIFIER ON or OFF.</p> <p>1) Turn on the mains power to the TV Bed. 2) Press the Remote Control (RC) ON button for 2 seconds to synchronise and prepare the system, system voice shall say 'Power On'. 3) When finished watching or listening, press the OFF button for 2 secs.</p> <p>LIFT or LOWER THE TV.</p> <p>Press once and TV will rise to it's upper working position. Power to the TV will be connected automatically - operate the TV using it's Operation Guide. Press central button once and TV Lift will stop.</p> <p>Press once and TV will go down - as soon as the lower resting position is reached the power will be switched off to prevent overheating.</p> <p>NOTE: BLUETOOTH WILL WORK NORMALLY WHEN TV IS UP OR DOWN.</p> <p>The same blue LED light bar is used to show steps for all the following controls: VOLUME, BASS & TREBLE.</p> <p>VOLUME CONTROL</p> <p>Use --- + or - --- button to increase or decrease the volume. Note that this control operates step by step and as it is adjusted, the blue LED light bar follows each step until full volume is reached, then the blue lights are all on.</p> <p>BASS CONTROL</p> <p>Adjust the Bass attenuation - these buttons increase or decrease the lower frequencies of the sound.</p> <p>TREBLE CONTROL</p> <p>Adjust the Treble attenuation - these buttons increase or decrease the higher frequencies of the sound until the preferred sound level is achieved. Note: if higher frequency sound is reduced, the volume of the sound appears to be reduced too - this is normal.</p> <p>BALANCE CONTROL</p> <p>Press the button marked Front and the sound level will be higher at the footend than the headend of the bed.</p> <p>Press the L button and sound level will increase on the left Press the R button and sound level will increase on the right.</p> <p>Press the button marked Rear and the level of the sound will be higher at headend than the footend of the bed.</p> <p>To bring back the sound to middle of the bed, press the central button to reset it.</p> <p>Switch to turn the LEDs ON or OFF. Use the Neo-Motion controller to change the LED program.</p> <p>Switch between Bluetooth and HDMI - Bluetooth will still play music when the TV Lift is down, parked in it's rest position.</p> <p>MUTE BUTTON</p>
<p>To Re-pair RC to system</p> 	<ol style="list-style-type: none"> 1) Disconnect all mains electric power to the bed, for at least 60 seconds. 2) Press either UP or DOWN Button on TV Lift Remote Control and keep holding button down, simultaneously re-connect mains electric power to bed keeping button down for at least a further 5 seconds. The TV Lift unit receives the signal from the Remote Control and TV lift will begin to move UP or DOWN whichever button was pressed. 3) Re-pairing is now complete.



NEO MOTION™ SYNC CONTROL



DOWNLOAD ON THE APP STORE



GET IT ON GOOGLE PLAY

Technical Parameters

Compatible with Android 7 and above / iOS 12.0 and above

LED CONTROLLER TYPES

Furniture Controller



- Light return key: Touch this key to return to the previous light color
- Power button: Long Press to turn on/off the lights
Short Press
 1. Single Colour Modes
 2. Dynamic RGB Modes
 3. Sound Reactive control modes
- Light forward button: Touch this button to select the next colour/light in sequence

Need Help?

Contact X Rocker at: www.dreams.co.uk/help
IMPORTANT: You must keep your original retail receipt as proof of purchase
Please retain for future reference

2

KEEP FOR FUTURE REFERENCE.

DOWNLOADING THE APP / GETTING STARTED

1. Download the "LED SMART" APP with your mobile phones by scanning the QR code on user manual or search the "LED SMART" APP in iPhone APP store or Google play store.
2. After the APP is downloaded, please ensure that Bluetooth and Location settings are switched on for LED Smart.
3. Power on your Neo Motion™ Sync product.
4. Open the LED Smart App, The Neo Motion (Sync) App should automatically be discovered and ready to use.



App Store Icon



X Rocker products in app

Unable to Connect Troubleshooting

1. Please ensure that power is correctly being provided to the Neo Motion™ Sync product
2. Check that location settings and Bluetooth is switched on.
3. If other devices have been used with Neo Motion Sync, the app on that device needs to be closed before another can control the LED.
4. If devices do not show in the pairing screen, please refresh the screen by pressing the refresh button.
5. If paired but no light showing - press the power button in the app to switch the lights on.
6. Please ensure App is up to date by checking Google Play or Apple iOS stores

3

INSTRUCTIONS

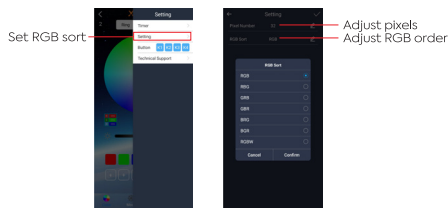
1. Allow Location settings if not done so already
2. Allow the App to connect to nearby devices
3. On the main screen - press the refresh icon to search for nearby Neo Motion™ Sync devices
4. To control a single device - select the Devices menu and click the icon for the device you want to control
5. To control a group of devices - select 'groups' from the top of the screen
6. On the left side of the screen, click on all devices you want to control together, then select 'Add Device'
7. Rename the group of devices and click 'Confirm'
8. Click on the group name to enter control for all

ADDING CUSTOM COLOURS/PATTERNS

Short press on the [+] boxes and select a colour or pattern to add.

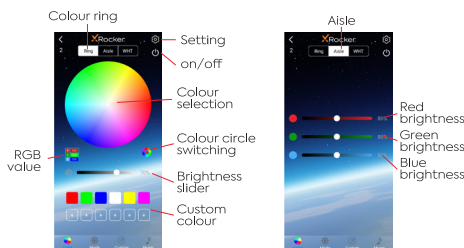
To remove the colour or pattern, long press on the button to delete the selection.

Setting: You can set RGB sorting, timing, shake, and change skin.



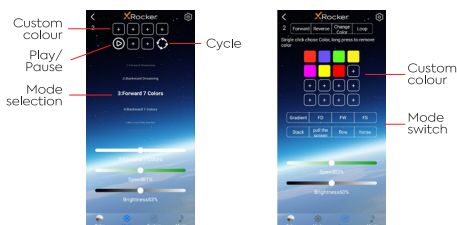
4

Colour interface: This interface has controls single colour. 'Ring' uses a colour ring for control, 'Aisle' lets you set RGB values and 'WHT' controls White LED and brightness.



Mode interface: Use this to choose from over 200 pattern modes, adjust the speed and brightness and store your favourite

Custom interface: Select your favourite colours in sequence and animate your own custom pattern.



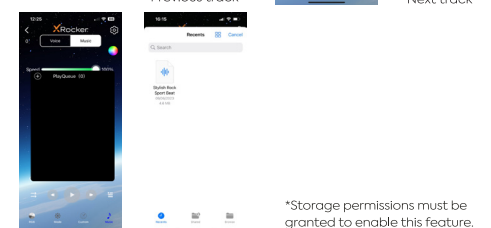
5

Voice Mode: The voice control interface has hundreds of voice control modes to choose from. These react to sounds that happen near the LED Control box.

Music Mode: To play music, press the Song Library icon and then select the songs you want to hear. The app will discover music that is saved on your device*

Once music is playing, press the record icon in the middle of the screen to change the pattern.

Play order

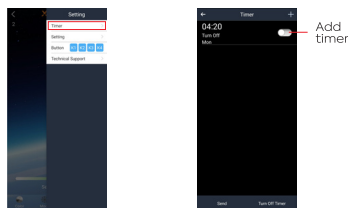


*Storage permissions must be granted to enable this feature.

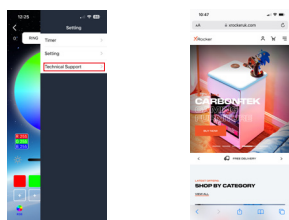
6

(Settings)-Timer Mode:

1. Press [+] To create a new timer
2. Set the function to either turn on/ turn off or a pattern
3. Set the date you would like the instruction to run
4. Once set, click 'Send', the device will flash twice to confirm to send the instruction to the Neo Motion™ Sync devices. NB. If you set a turn off function without a turn on then please ensure you turn the lights back on using the app.



Technical Support:



7

USE OF THE OPTIONAL LED SMART/ NEO MOTION™ SYNC APP

Ownership

The APP offered for use here to control the Neo Motion™ lighting effects via a mobile device is provided by a Third-Party software developer and is made available Free/Gratis to the user via the Google Play Store or Apple APP Store. The LED Smart APP is not affiliated, connected, controlled, or owned by X Rocker or any part of the group of companies which own the X Rocker brand. The use of the APP is voluntary and the decision to download and use the APP is made fully of this knowledge and shall be your own decision to download, install, grant permissions, and use the APP to control Neo Motion lighting from X Rocker.

Permissions

The APP requires several permissions from the mobile device to function correctly. These permissions are (but not limited to): Phone, Contacts, Music, Read & Write, BT and Wi-Fi LAN. The user of the APP upon installing the APP and granting the Third-Party APP developer and APP access to these permissions, does so in the full knowledge that this in no way forms any kind of legal agreement with X Rocker and is a wholly independent relationship between the User and Third-Party APP developer.

Performance

X Rocker makes no guarantees to the user using this APP as to the performance of the APP. The APP will require updates from the applicable APP Store from time to time in order to maintain functionality. X Rocker makes no guarantees over the term or longevity of performance of the APP and its ability to be available for download and control the lighting. For this reason, all the items using this APP also come with a manual function on the item to control the Neo Motion.

8

Warranty

APP control of the item is explicitly excluded from the warranty of the item purchased and should the item not function with the APP, this shall not render the item as having a fault or being faulty. The APP is supported by X Rocker only as a means of adding additional functionality which is open to the user on a gratis basis to decide to us or not. It is not compulsory to use the APP to use the Neo Motion. Returns, refunds or claims made to the manufacturer for failure of the APP are not valid and will not be supported by X Rocker.

Data

X Rocker hereby states that it shall not collect, store or use any data whatsoever from any of the Users of the APP, or request data about the APP Users from the Third-Party APP Developer. X Rocker UK is registered at the ICO for all GDPR matters covered by The Data Protection Act 2018. Any permissions given to the Third-Party by the User of the APP is done in accordance with the understanding that X Rocker is a wholly independent entity and not affiliated with the APP provider for data collection purposes and the use of said data. X Rocker is not able to make any claims and/or guarantees on behalf of the Third-Party APP developer and their use of any data collected by their APP.

Liabilities and Rights to Claim.

By downloading and using the Third-Party APP to control Neo Motion items, the User hereby agrees that X Rocker shall not be liable or responsible in any way whatsoever for a loss of function, service, data, damage, or any other claimed or actual defect claimed or caused as a result of using the APP on any type of mobile or electronic device such as mobile, tablet and computer. The hereby User agrees that they waive all their rights to hold X Rocker liable for any claims or liabilities as a result of the User using the APP.

9

Care and maintenance

Here are some tips to keep your new bed in tip-top condition



Cleaning

To clean your new bed, we'd advise using a warm damp cloth or if fabric, remove dust using a low suction vacuum cleaner.

Please do not use abrasive chemicals or bleach as this may damage the product.



Checking and moving

Periodically we recommend you check that the screws or fixtures haven't become loose over time. To move your new bed, we recommend lifting it where possible, as dragging or pushing it could cause damage to the legs or flooring.



Wood

Please note each of our wooden pieces are unique, meaning that markings and shade can vary slightly between beds. Over a period of time, the wood might lighten or fade slightly due to light exposure.



Fabric

Please note depending on the lighting, positioning and surroundings of your room, the shade of the colour can sometimes appear slightly different. Over a period of time, the colour might lighten or fade slightly due to light exposure.



Metal

Metal tends to be more resilient to everyday wear and tear. We recommend to gently dust your metal furniture and keep it dry to maintain its look.

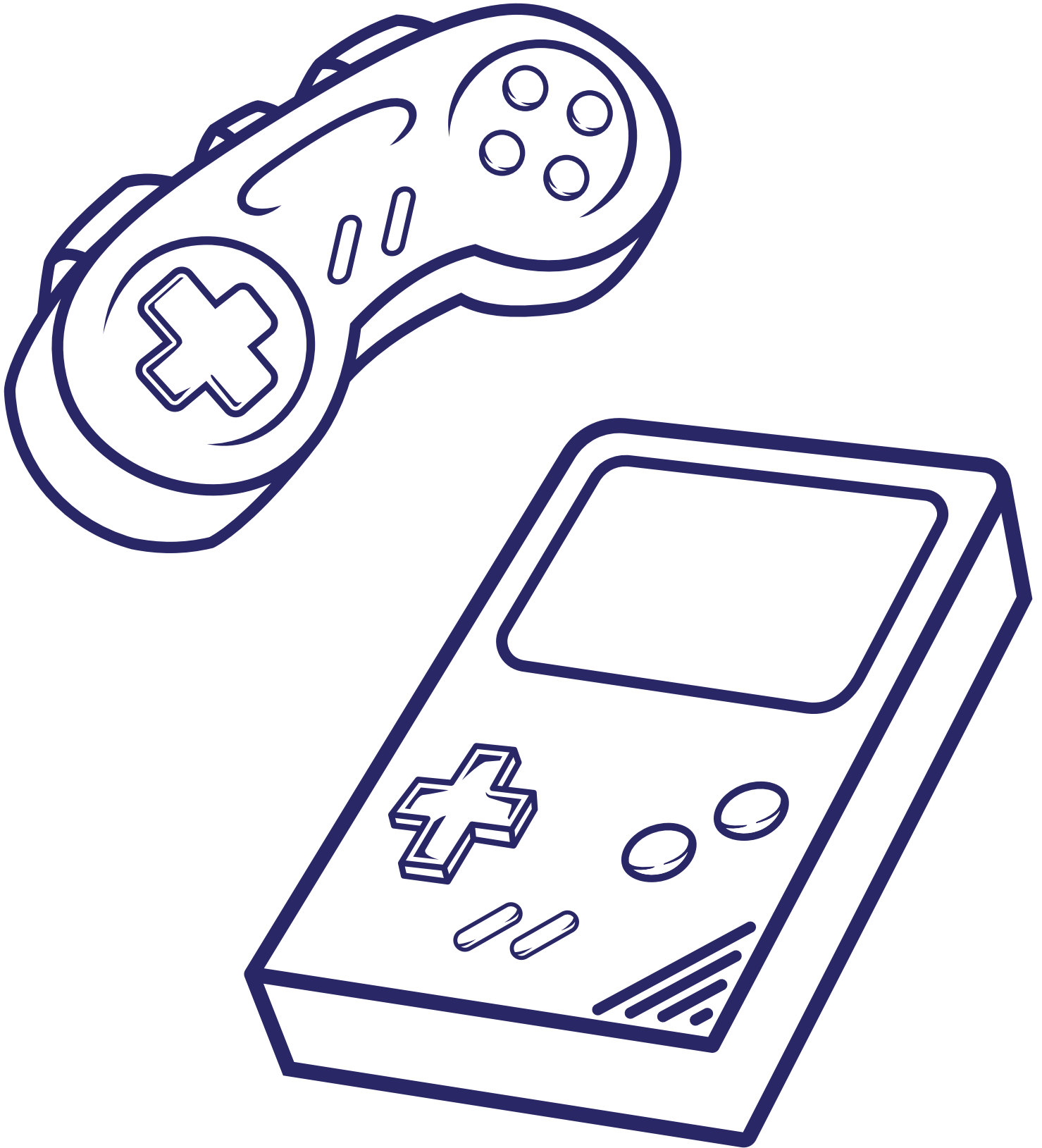
Thank you for shopping with us - we hope you have a great night's sleep.

Sleep well



Little dreamers

Keep the little ones entertained while you assemble your new purchase.



Dreams