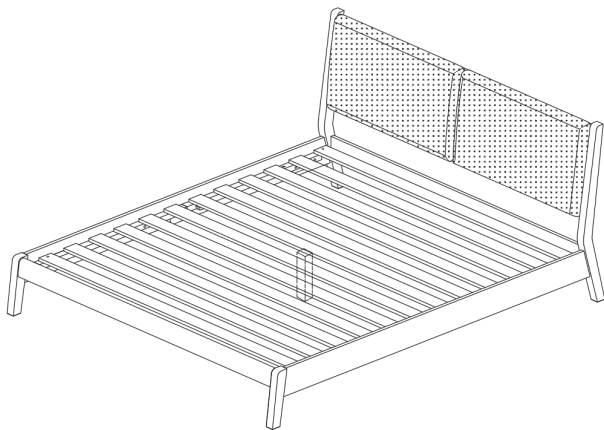


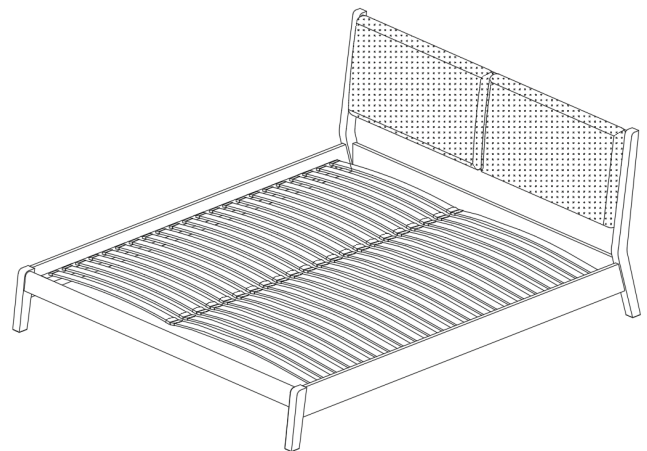
Matisse Bed Double, King & Super King

Assembly Instructions

OPTION 1:
SOLID SLATS



OPTION 2:
SPRUNG SLATS



1/2 hour approx
assembly time



Two person
assembly

Dreams

Thank you

Hello, thanks for choosing to purchase your bed from Dreams - you're now on your way to your best ever night's sleep. Before you begin building your bed, please take a moment to read through the instructions and make sure that you've got all the relevant parts listed on the following pages.



Assembly tips

Before you begin, it's best to identify all parts and fittings to build your bed. We advise laying these out on the floor to check you have everything, and familiarising yourself before building.



Top tip

We recommend that you build your new bed in the room you'd like it to be located - this will help prevent any risk of damage to your newly built bed whilst moving it.



Safety and care

It's really important to ensure children and animals are kept away from the assembly area, as there are small components used in this bed which could present a choking hazard. All plastic and wrapping materials should also be kept away from children and animals to prevent any risk of suffocation. To keep your little ones busy, there is a colouring page inside the back cover.



Help and support

At Dreams, it's our mission to give the whole nation a great night's sleep - this means that the quality of our products is of utmost importance to us. If there are any issues with your product or any missing parts, please visit our website at www.dreams.co.uk/help



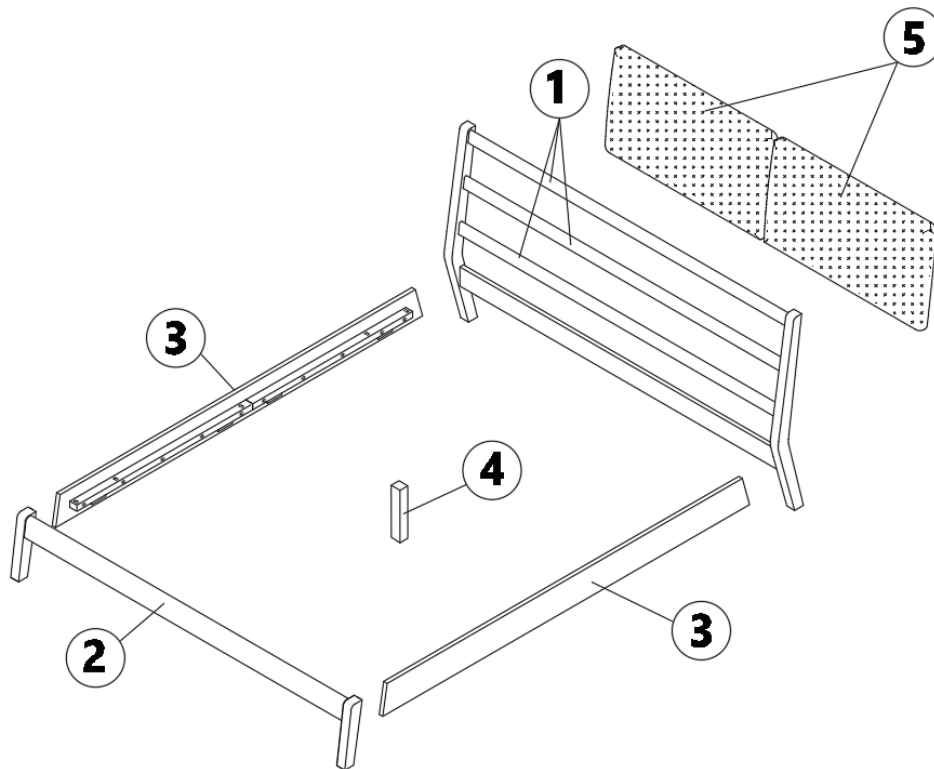
Recycling

Please ensure that packaging is disposed of in a safe and environmentally friendly way, and recycle where possible. Please keep your assembly instructions safe to refer back to in the future.

Parts

Important information

Please check you have all parts listed below.

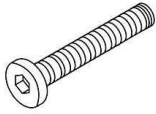


Parts list

1.	Headboard	01 PC
2.	Footboard	01 PC
3.	Side Rail	02 PCS
4.	Support Leg	01 PC
5.	Pillow	02 PCS

Fittings

Please check you have all the fittings listed below, that you can find in Box # 1 in the string tagged plastic bag together with this Assembly Instructions.



A. Allen Bolt
M6 - 6 pcs



B. Allen Cap Nut
M6 - 6 pcs



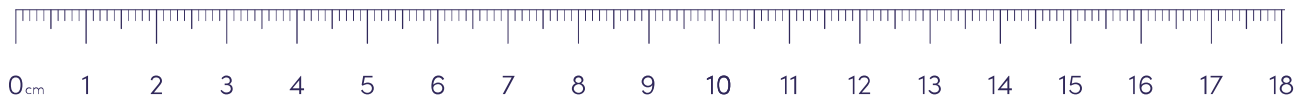
C. Allen Key
M4 - 2 pcs



D. Flat Washer
M6 - 6 pcs



E. Screw
M4 - 1 pc



Tools required

Please check you have all these below:



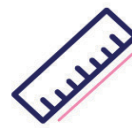
Flathead
screwdriver



Scissors



Spanner

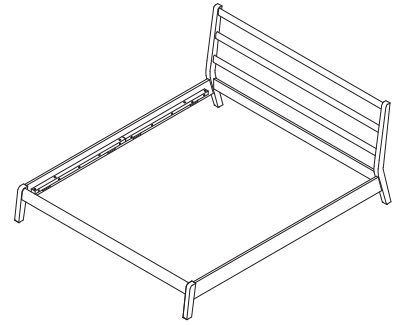


Tape measure



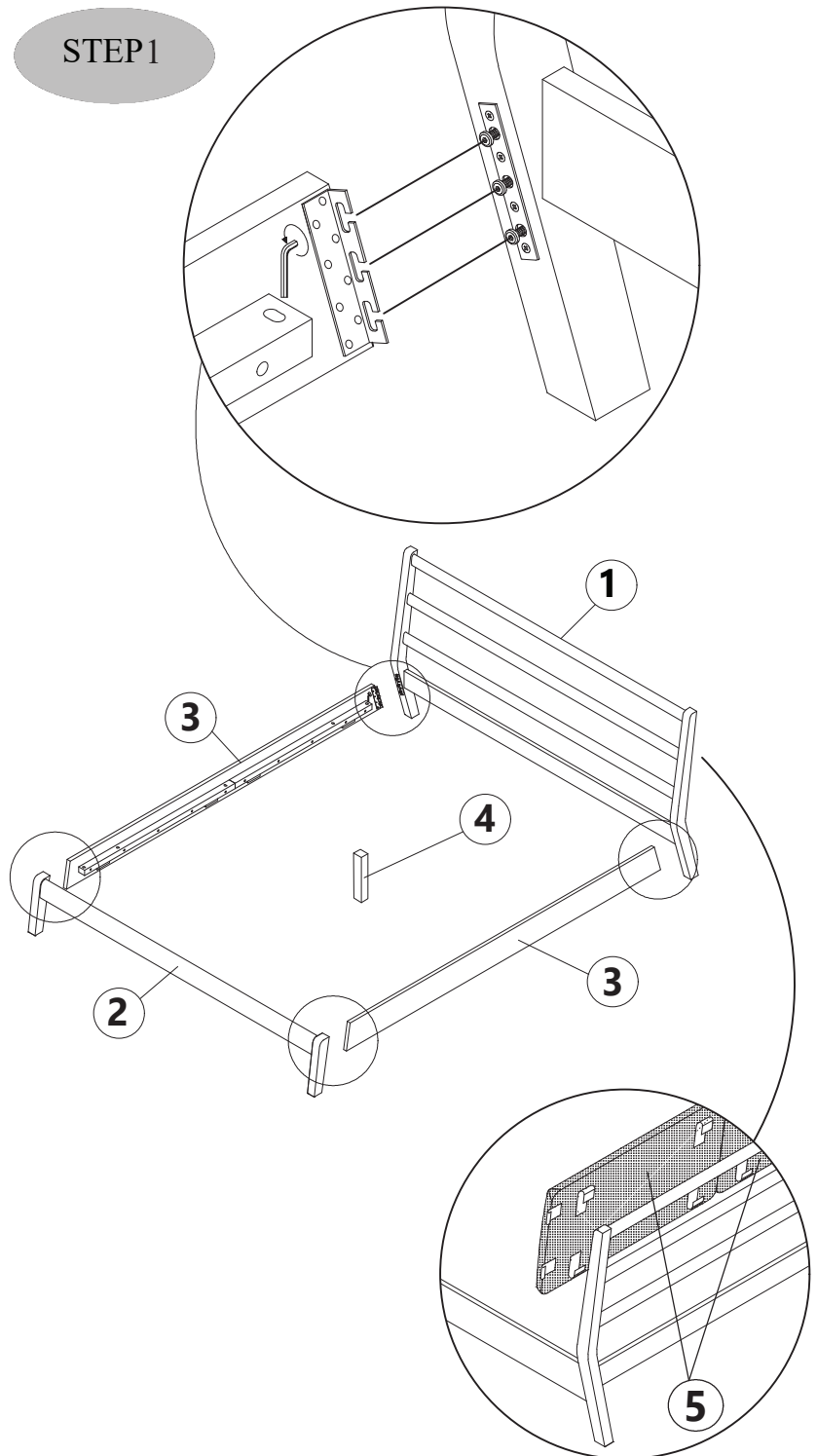
Cross head
screwdriver

ASSEMBLY



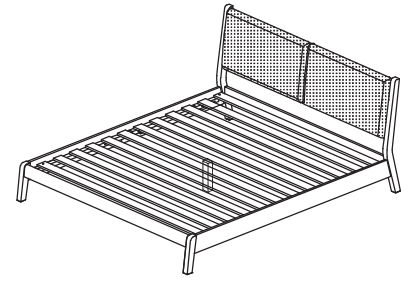
STEP 1

- Use bolt (mounted on the headboard and footboard) to fix the Side Rail (3) onto Headboard (1) and Footboard (2) by using Allen Key (C).
- Fit the adjustable pillow on headboard by velcro



ASSEMBLY

SOLID SLATS OPTION



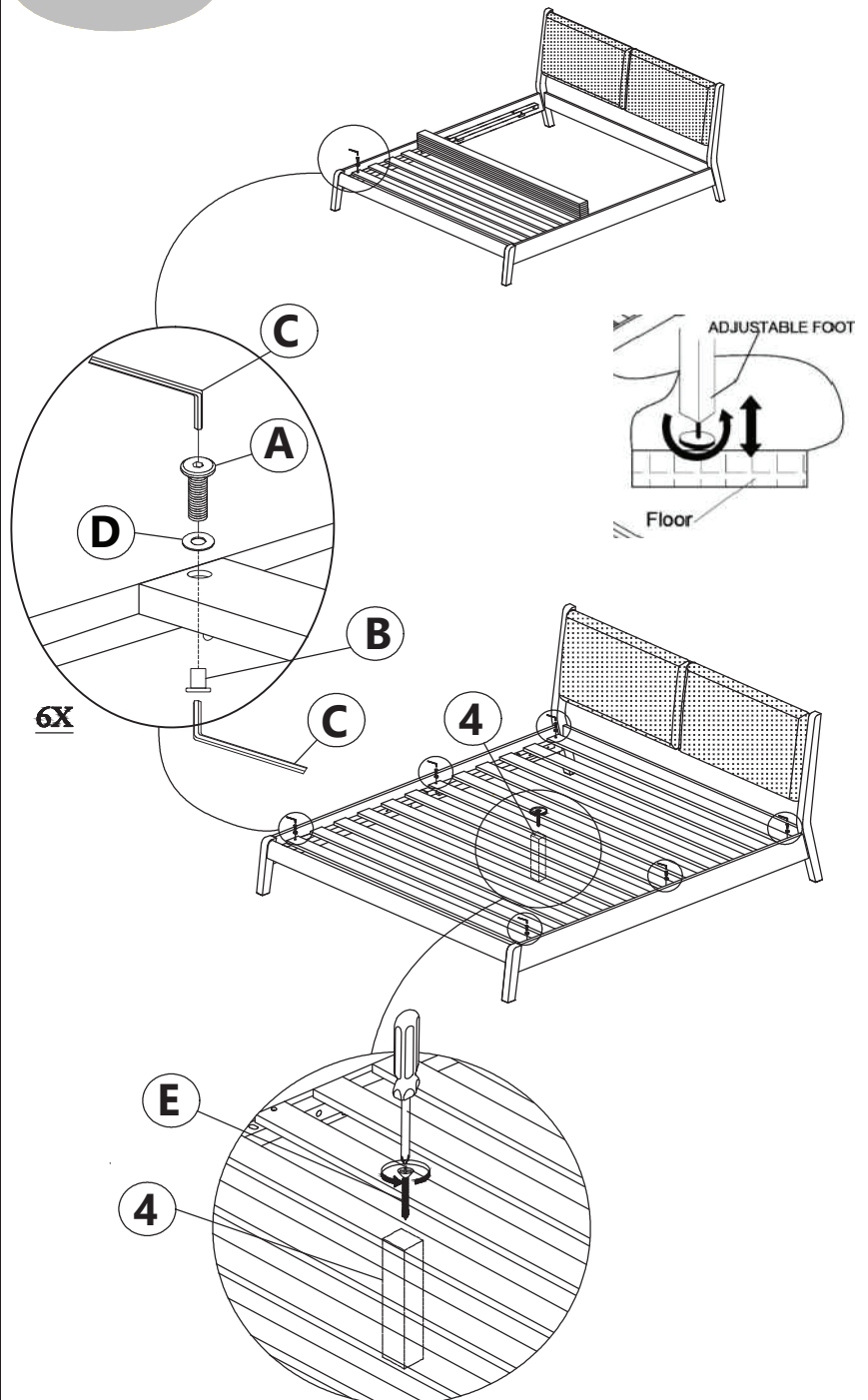
STEP 2

NOTE: You have bought your bed, choosing one of two slat options; either solid or sprung. Although both assembly options are explained here only one will apply to you. Please follow the correct procedure for the slat system which you have chosen.

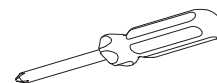
Both slats on "step 2" and "step 3" can be assembled to the bedstead. You can make a choice between the two slats.

OPTION "A": DREAMS FIXED WOOD SLATS

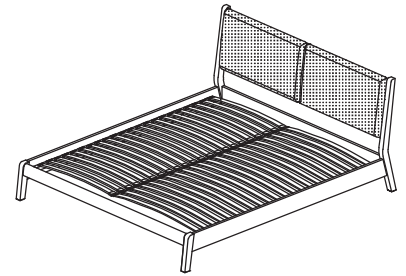
- (1) Carefully locate the slats onto the unit, as step 2: Use bolt (A), washer (D) and JCN nut (B) to fix the unit using Allen Key (C)
- (2) Fit the adjustable Support Leg (4) to the center slat. Secure with Screw (E) using Screwdriver (not provided).



Not included



ASSEMBLY



SPRUNG SLATS OPTION

STEP 3

OPTION "B": DREAMS

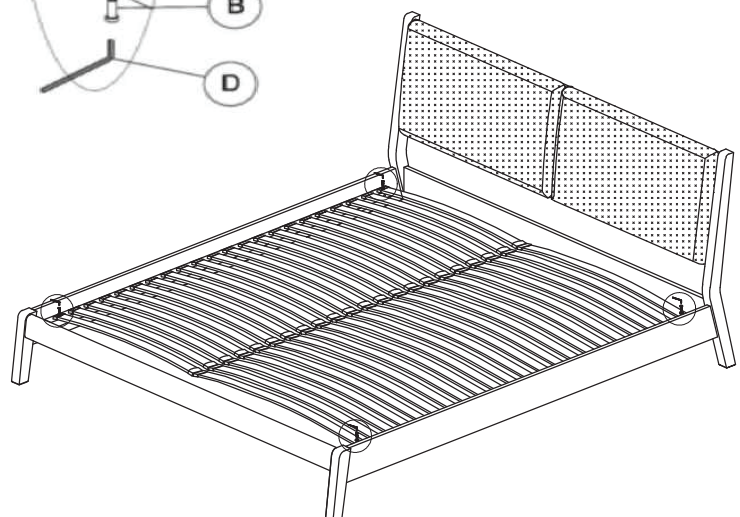
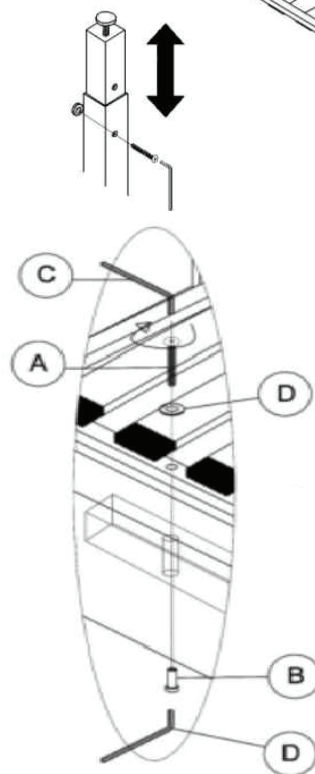
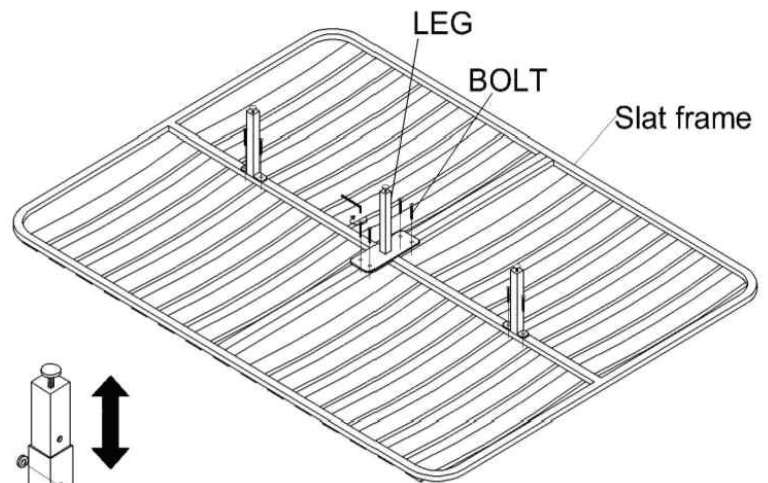
SPRUNG SLATS

(1) Use the bolt to fix support leg onto the slat frame.

Please note that these bolts are to be found inside the slat frame box.

(2) Carefully locate the slats onto the unit.

(3) Use bolt (A) and JCN nut (B) to fix the unit using Allen Key (C).



Care and maintenance

Here are some tips to keep your new bed in tip-top condition



Cleaning

To clean your new bed, we'd advise using a warm damp cloth - please do not use abrasive chemicals or bleach as this may damage the product.



Checking and moving

Periodically we recommend you check that the screws or fixtures haven't been become loose, over time. To move your new bed, we recommend lifting it where possible, as dragging or pushing it could cause damage to your flooring.



Wood

Please note each of our wooden pieces are unique, meaning that markings and shade can vary slightly between beds. Over a period of time, the wood might lighten or fade slightly due to light exposure.



Fabric

Please note depending on the lighting, positioning and surroundings of your room, the shade of the colour can sometimes appear slightly different. Over a period of time, the colour might lighten or fade slightly due to light exposure.



Metal

Metal tends to be more resilient to everyday wear and tear. We recommend to gently dust your metal furniture and keep it dry to maintain its look.

Thank you for shopping with us - we hope you have a great night's sleep

Sleep well



Little dreamers

Keep the little ones entertained while you assemble your new purchase.



Dreams

