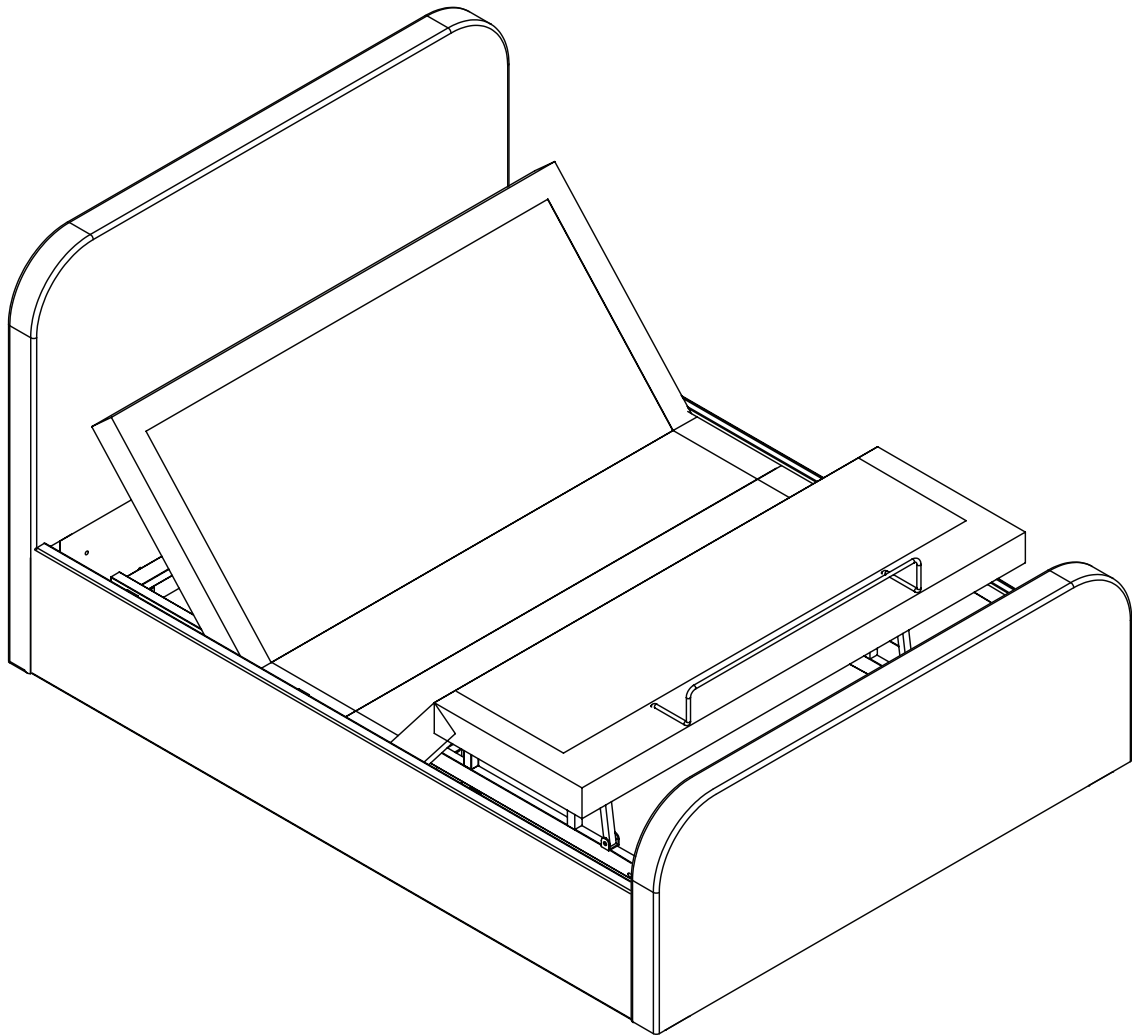


# Margot Lifestyle Bed

Sleepmotion



1 hour approx  
assembly time



Two person  
assembly

**Dreams**

Love your bed

**HouseBeautiful**

# Thank you

Hello, thanks for choosing to purchase your bed from Dreams - you're now on your way to your best ever night's sleep. Before you begin building your bed, please take a moment to read through the instructions and make sure that you've got all the relevant parts listed on the following pages.



## Assembly tips

Before you begin, it's best to identify all parts and fittings to build your bed. We advise laying these out on the floor to check you have everything, and familiarising yourself before building.



## Top tip

We recommend that you build your new bed in the room you'd like it to be located - this will help prevent any risk of damage to your newly built bed whilst moving it.



## Safety and care

It's really important to ensure children and animals are kept away from the assembly area, as there are small components used in this bed which could present a choking hazard. All plastic and wrapping materials should also be kept away from children and animals to prevent any risk of suffocation. To keep your little ones busy, there is a colouring page inside the back cover.



## Help and support

At Dreams, it's our mission to give the whole nation a great night's sleep - this means that the quality of our products is of utmost importance to us. If there are any issues with your product or any missing parts, please contact our Help Centre on 0800 652 6750, where a member of our team will be happy to help. (For customers based in Northern Ireland, please call 028 9050 8300)



## Recycling

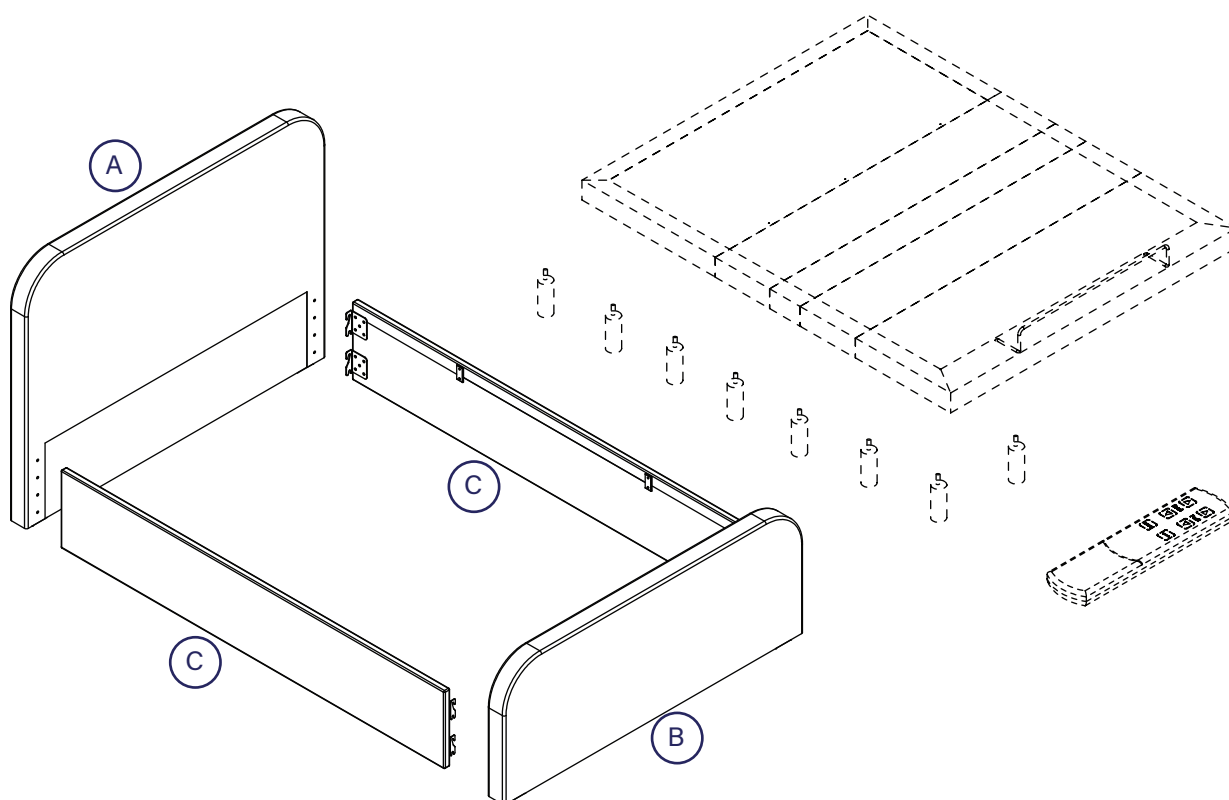
Please ensure that packaging is disposed of in a safe and environmentally friendly way, and recycle where possible. Our assembly instructions are printed on recycled paper. Please keep your assembly instructions safe to refer back to in the future.

# Parts

## Important information

The bed you have purchased comes with an Sleepmotion electric bed base. Please follow the instructions that came with the base in the following order.

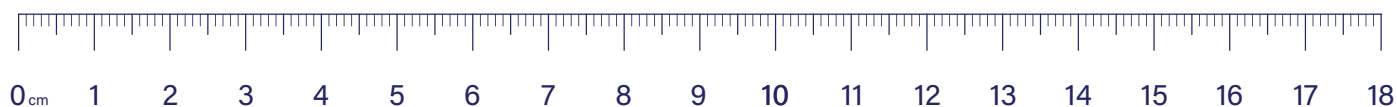
Once the base is built please follow the instructions to build your frame around the Sleepmotion base itself.



Parts shown in dotted lines are packed in the Sleepmotion bed base carton.

## Parts list

Code	Description	Qty	Box
A.	Headboard	1	1
B.	Footboard	1	3L
C.	Side Rails	2	2L





Before starting assembly please refer to the owners manual supplied with your sleepmotion bed base and follow the instructions taking note of any safety precautions or operational safety requirements of the installation.  
Build the bed base first using only the eight longer legs 6" (15cm), see stage 1.

## Important:

Place the base in final position in the room of use, connect the power and check the operation then step by step follow the bed assembly instructions below, to build the bedstead around the bed base itself.

## Please note

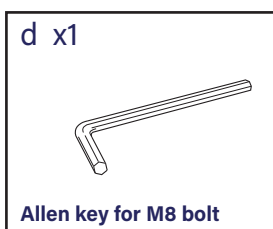
To control the bed via an APP, please go to the APP store or Google Play and download the 'NAPP by Dreams'. Once downloaded and registered stand close to the bed and 'add device' then follow the instructions carefully.

When connection is made you will be able to control the Bed using 'NAPP by Dreams'.

## Fittings

Please check you have all the parts listed below with your product:

**Hardware needed for fixing side rails to headboard & footboard  
Packed in side rail pack 2L - hardware pack (D).**



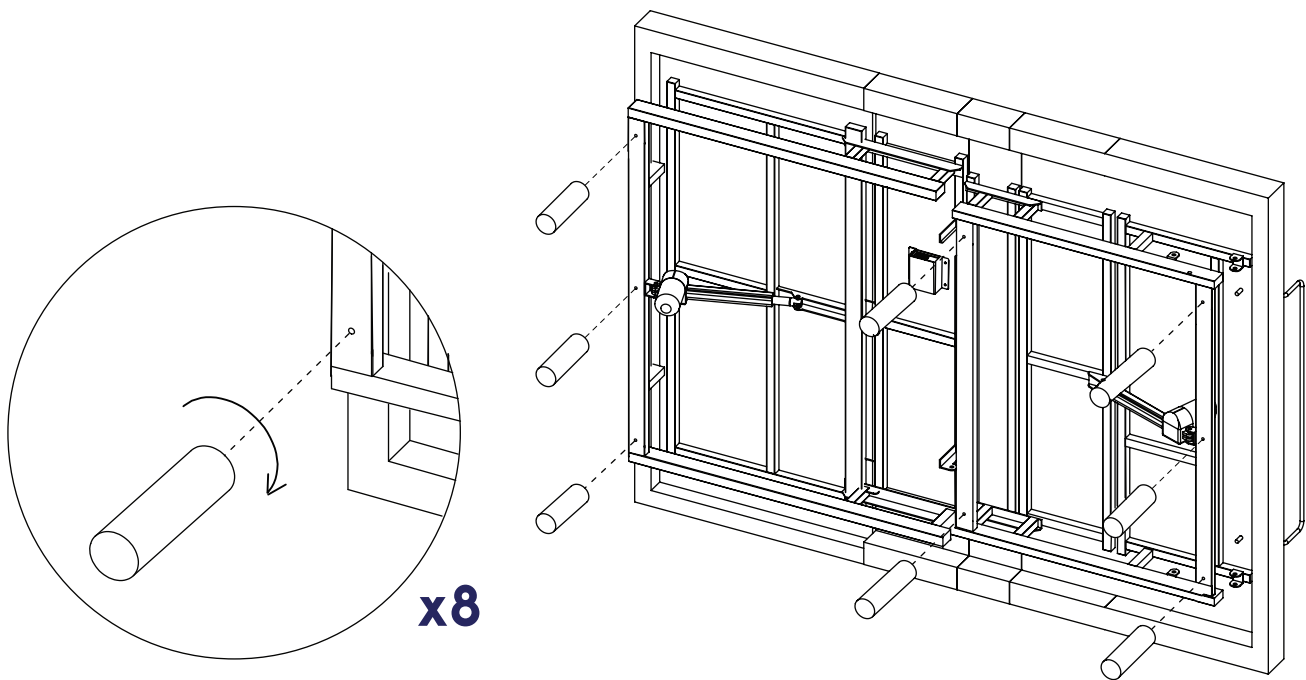
## Tools required

Please check you have all these below

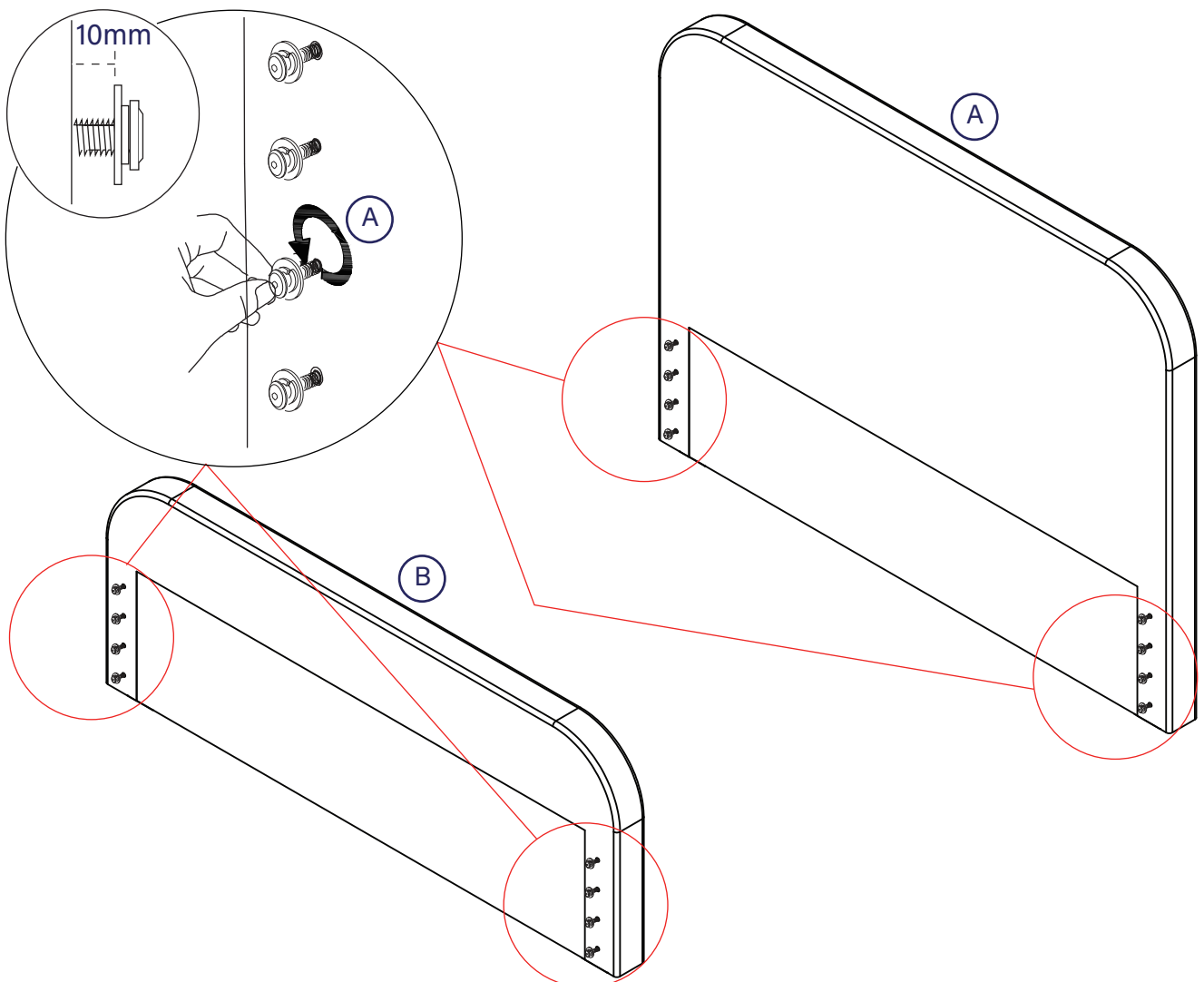


Tape measure

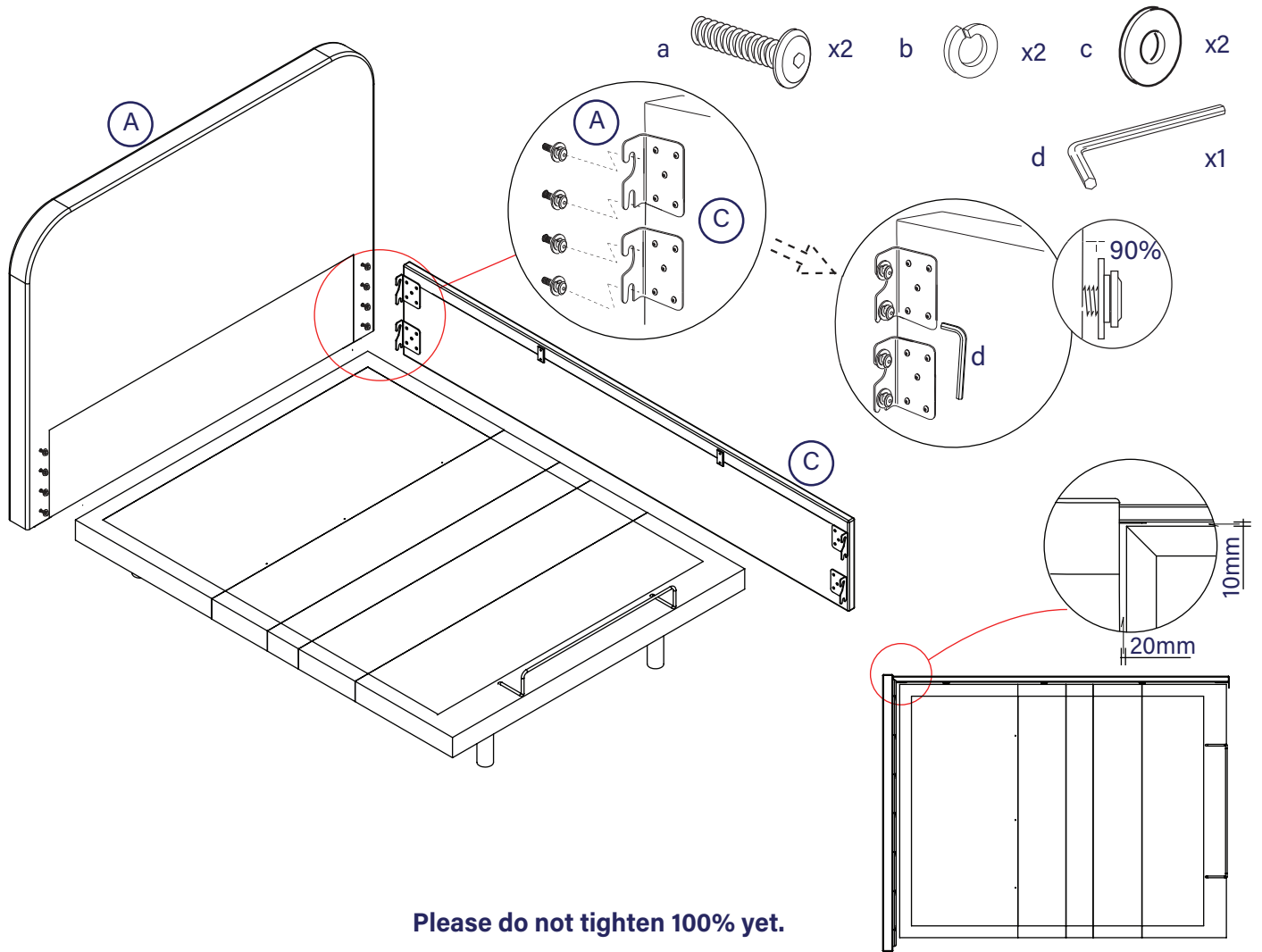
- 1** Screw in the legs and place the electric bed base in the position in which it is to be used



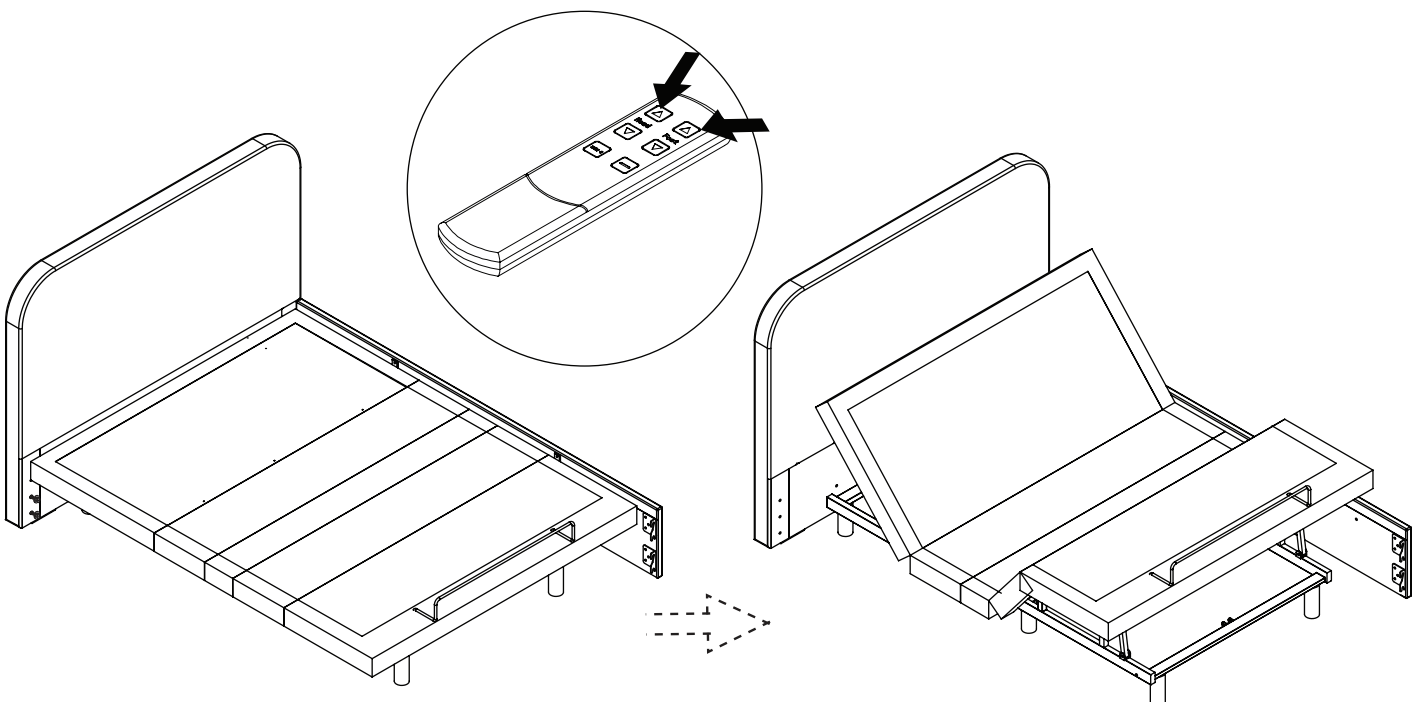
- 2** Prepare headboard & footboard for assembly.



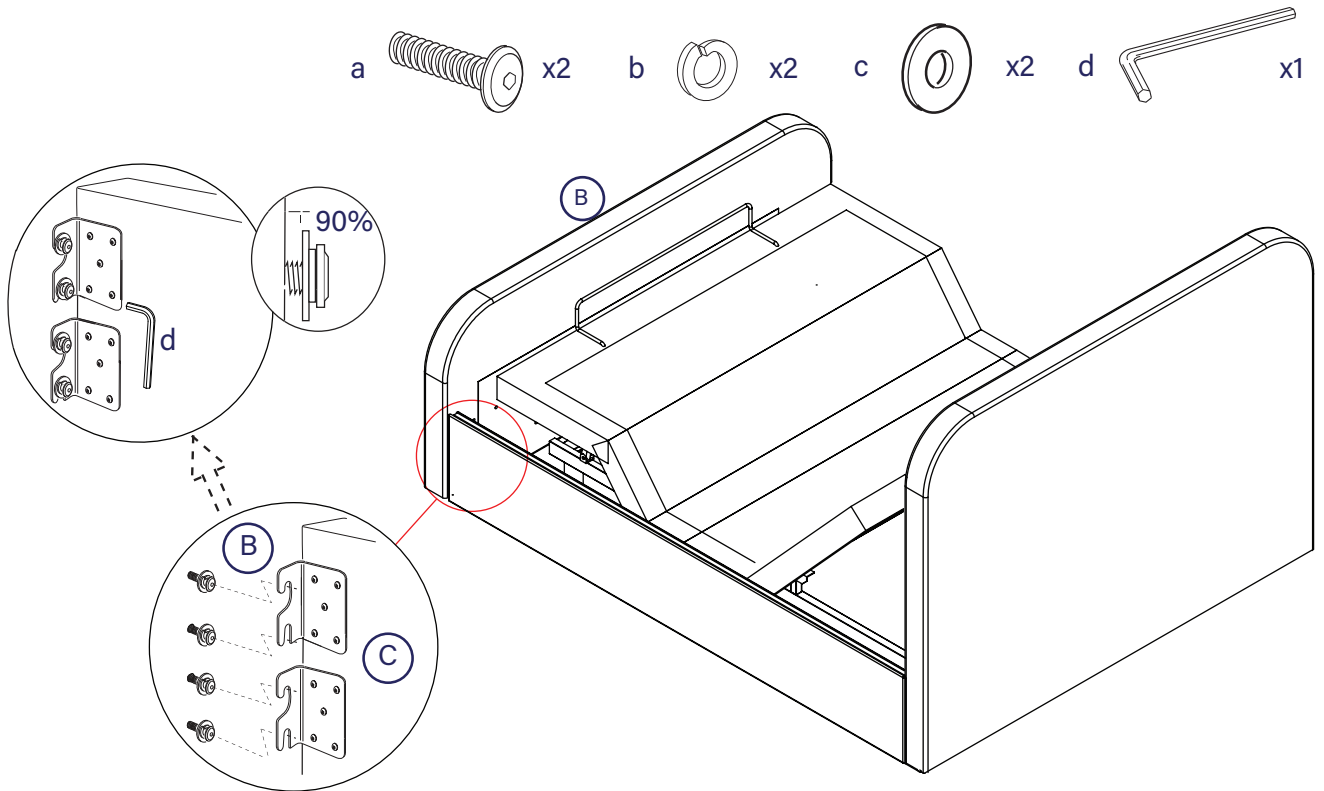
**3** To the pre-assembled headboard, fit the right hand side rail (C).



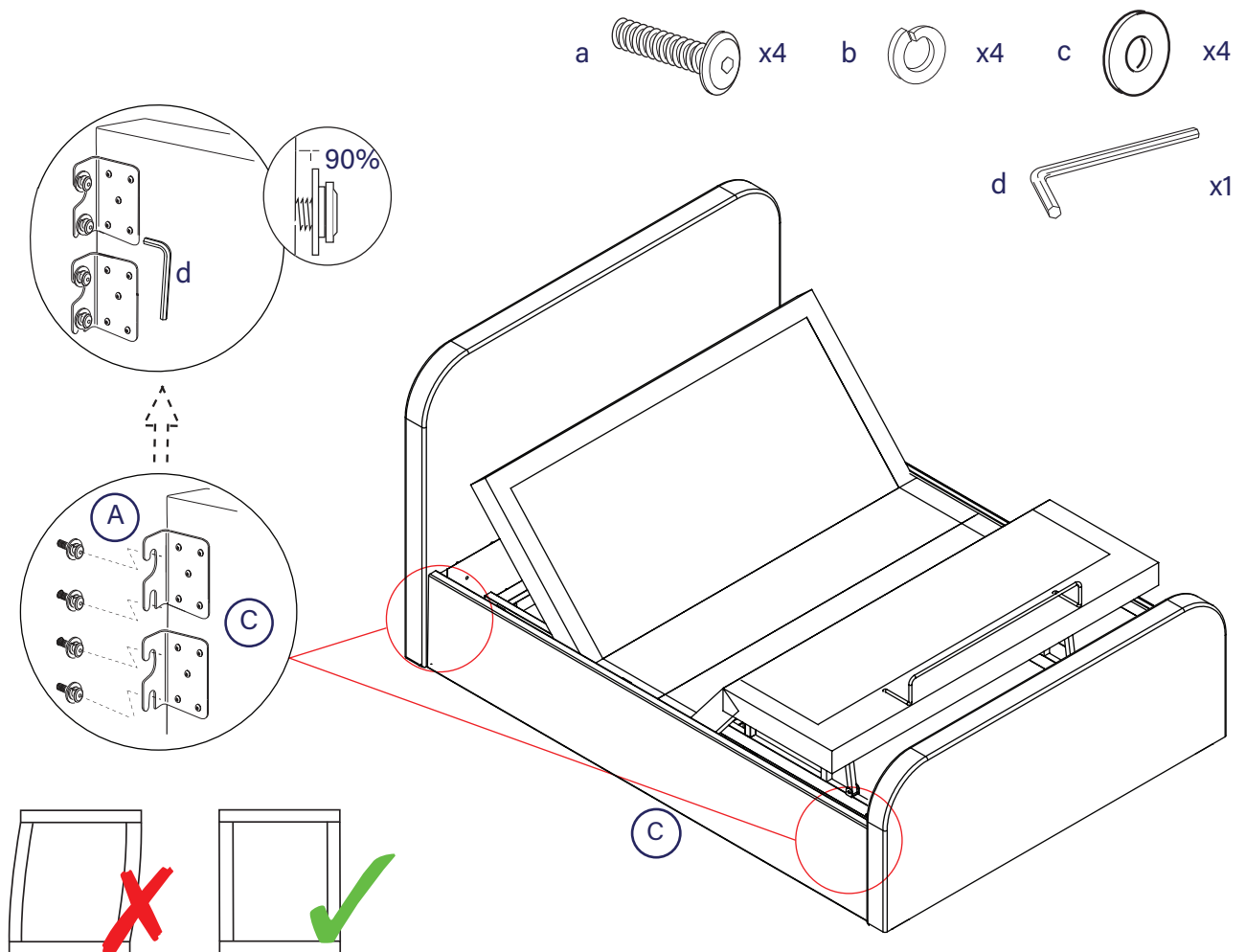
**4** Carefully position the electric bed base and plug in the power cable then raise the head and foot ends.



**5** Connect the footboard (B) to the bracket on the side rail (C).

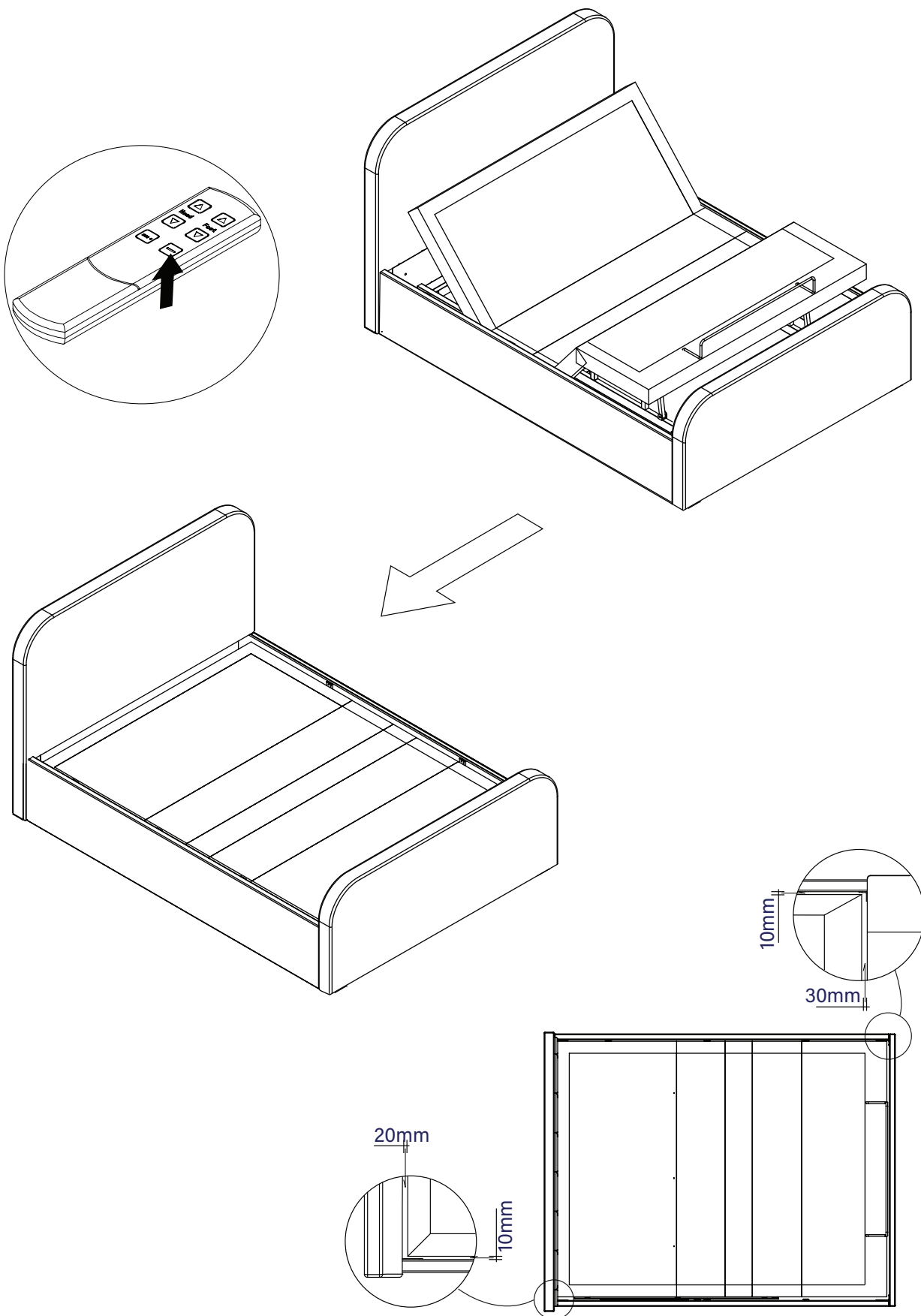


**6** Make sure everything is working properly then fit the second side rail (C).



**Make certain the bed is squared up as shown in the diagram then tighten all bed assembly bolts 100%.**

**7** Make certain the gaps around the bed base are even.





# Care and maintenance

Here are some tips to keep your new bed in tip-top condition



## Cleaning

To clean your new bed, we'd advise using a warm damp cloth or if fabric, remove dust using a low suction vacuum cleaner - please do not use abrasive chemicals or bleach as this may damage the product.



## Checking and moving

Periodically we recommend you check that the screws or fixtures haven't become loose, over time. To move your new bed, we recommend lifting it where possible, as dragging or pushing it could cause damage to your flooring.



## Wood

Please note each of our wooden pieces are unique, meaning that markings and shade can vary slightly between beds. Over a period of time, the wood might lighten or fade slightly due to light exposure.



## Fabric

Please note depending on the lighting, positioning and surroundings of your room, the shade of the colour can sometimes appear slightly different. Over a period of time the colour might lighten or fade slightly due to light exposure.



## Metal

Metal tends to be more resilient to everyday wear and tear. We recommend to gently dust your metal furniture and keep it dry to maintain its look.

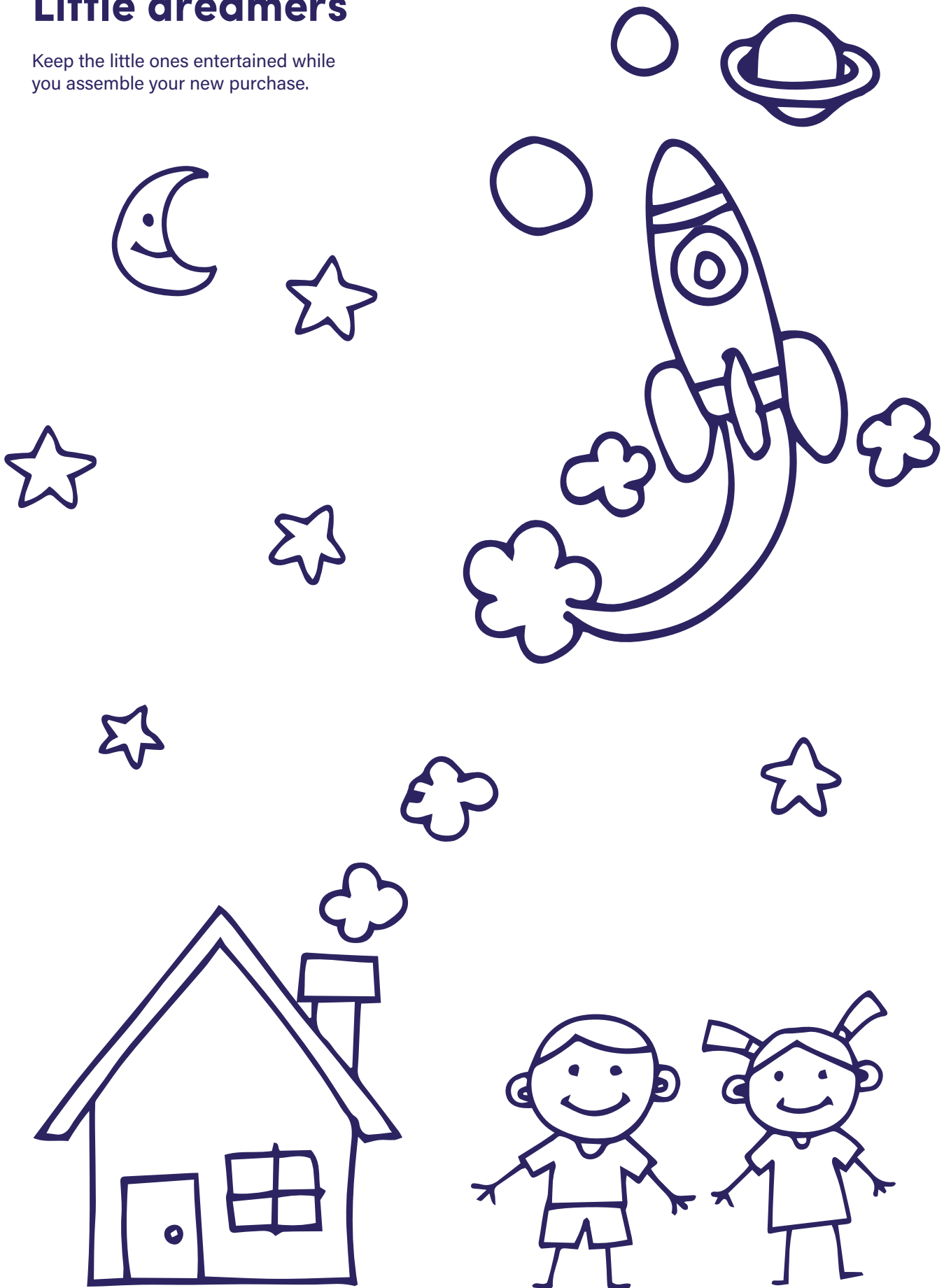
Thank you for shopping with us - we hope you have a great night's sleep

*Sleep well*



# Little dreamers

Keep the little ones entertained while you assemble your new purchase.



**Dreams**

Love your bed

**HouseBeautiful**