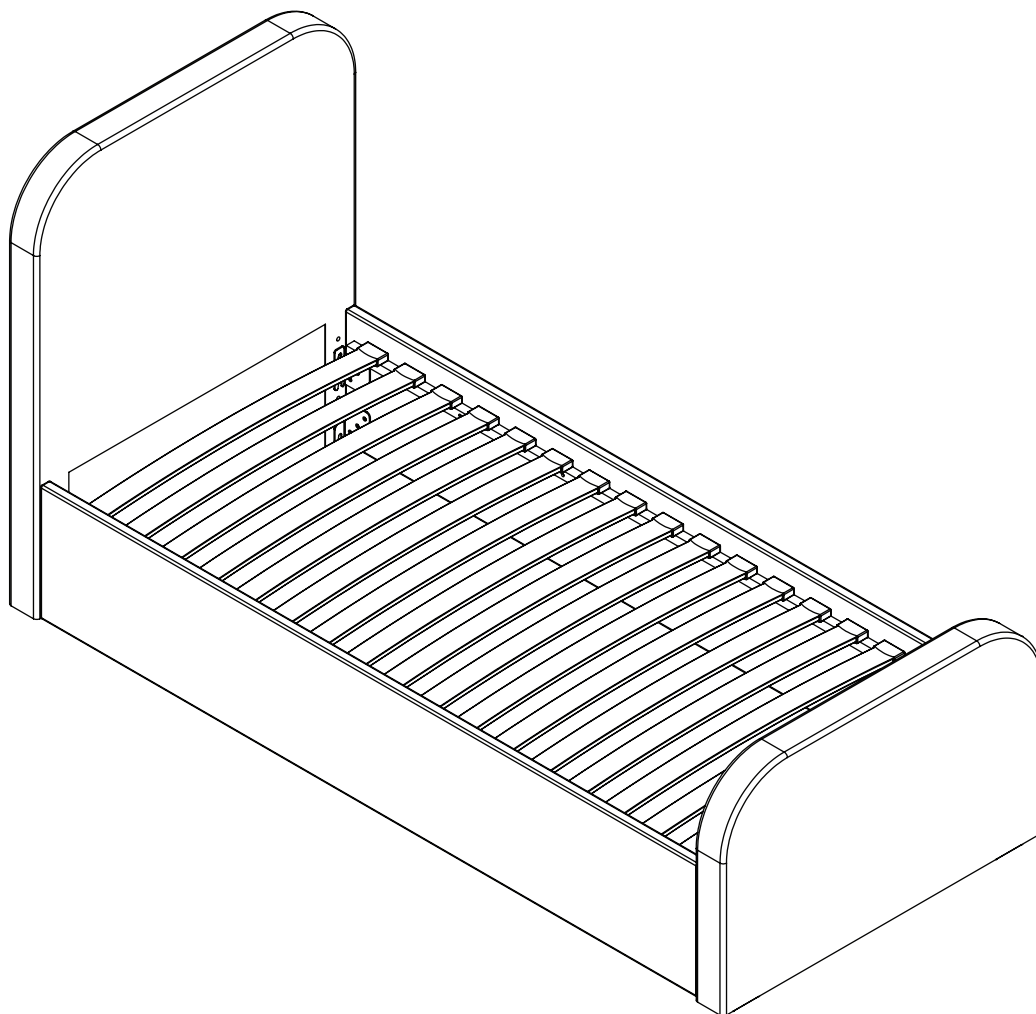


# Margot End Drawer

## Single Size Storage Bed



1.5 hour approx  
assembly time



Two person  
assembly

# Dreams

Love your bed

# HouseBeautiful

# Thank you

Hello, thanks for choosing to purchase your bed from Dreams - you're now on your way to your best ever night's sleep. Before you begin building your bed, please take a moment to read through the instructions and make sure that you've got all the relevant parts listed on the following pages.



## Assembly tips

Before you begin, it's best to identify all parts and fittings to build your bed. We advise laying these out on the floor to check you have everything, and familiarising yourself before building.



## Top tip

We recommend that you build your new bed in the room you'd like it to be located - this will help prevent any risk of damage to your newly built bed whilst moving it.



## Safety and care

It's really important to ensure children and animals are kept away from the assembly area, as there are small components used in this bed which could present a choking hazard. All plastic and wrapping materials should also be kept away from children and animals to prevent any risk of suffocation. To keep your little ones busy, there is a colouring page inside the back cover.



## Help and support

At Dreams, it's our mission to give the whole nation a great night's sleep - this means that the quality of our products is of utmost importance to us. If there are any issues with your product or any missing parts, please visit our website at [www.dreams.co.uk/help](http://www.dreams.co.uk/help)



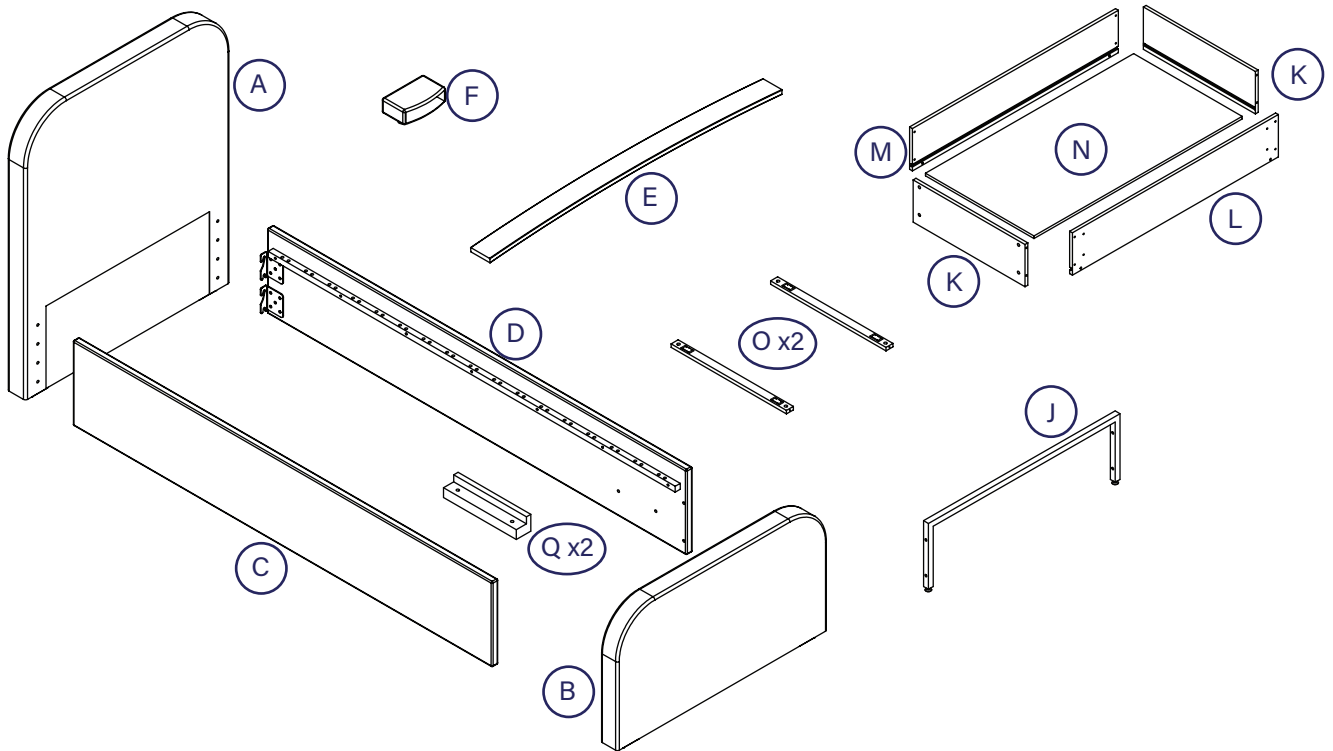
## Recycling

As part of our zero to landfill policy, we're more than happy to collect and recycle your old bed or mattress, ensuring no part goes to waste. We will also take away all your packaging for recycling at point of delivery. Please check out our services on [www.dreams.co.uk/recycling-services](http://www.dreams.co.uk/recycling-services) for more information. If you do not want us to do this, please check with your local recycling centre on the best recycling method.

# Parts

## Important information

The bed you have purchased comes with two different base options, solid wood slats or Sleepmotion electric bed base. If the wooden slat set was selected, please follow the instructions in the following order. If the electric bed base was chosen, ignore these instructions and use those packed in the Sleepmotion side rail Pack 2L.



## Parts list

Code	Description	Qty	Pack	Code	Description	Qty	Pack
A.	Headboard	1	1	K.	Drawer Side Panels	2	4
B.	Footboard	1	3	L.	Drawer Front Panel	1	4
C.	Side rail - Left	1	2	M.	Drawer Back Panel	1	4
D.	Side rail - Right	1	2	N.	Drawer Base Panel	1	4
E.	Wooden Slats	17	3	O.	Drawer Base Support Rail	2	4
F.	Single Plastic Slat Caps	34	3	Q.	Drawer Guide Bars	2	2
J.	"U" Shape Cross Bar	1	4				

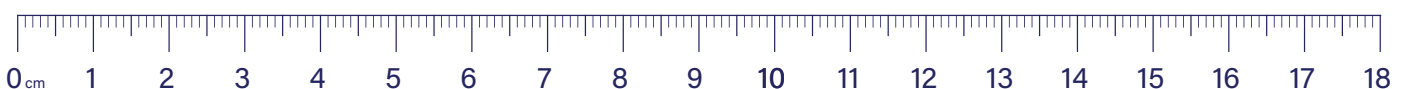
## Tools required



Tape measure



Cross head screwdriver






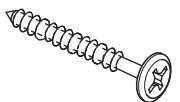
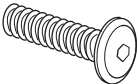

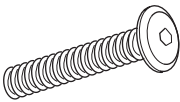
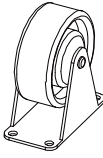


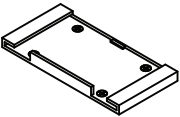
# Fittings

Please check you have all the parts listed below with your product:

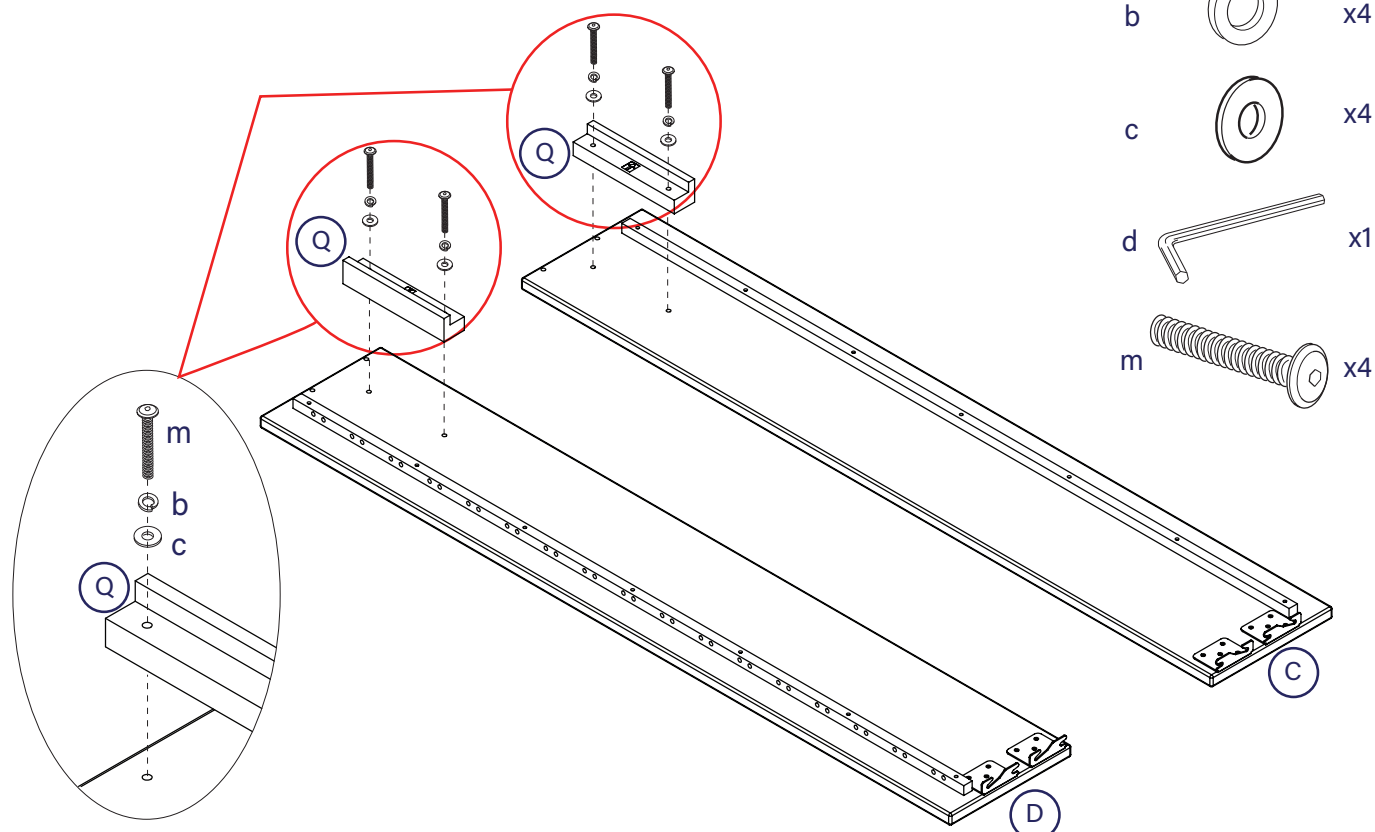
**PLEASE NOTE:** There are bolts which have been pre-fitted to the Headboard (A) and are not included below - please study Step 2 carefully.

**Hardware needed for assembling the drawer and fitting the metal U shaped cross bar (J) and slide support bars (Q) to the side rails.**

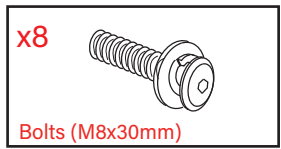
**Packed in drawer carton Pack 4 - hardware pack (A)**

<p>b x8</p>  <p>Spring Washer for M8 bolt</p>	<p>c x8</p>  <p>Flat Washer for M8 bolt</p>	<p>d x1</p>  <p>Allen Key for M8 bolt</p>	<p>j x12</p>  <p>Screws (5x50mm) for assembling drawer panels</p>	<p>k x4 Black</p>  <p>Bolts (M8x35mm) for fitting drawer front panel (L) to footboard (B)</p>
<p>l x6 Black</p>  <p>Spring Washer for M8 bolt</p>	<p>m x8</p>  <p>Bolts (M8x45mm) for fitting "U" shape cross bar (J) to side rails (C&amp;D)</p>	<p>n x4</p>  <p>Drawer Wheels</p>	<p>r x4 Black</p>  <p>Flat Washer for M8 bolt</p>	<p>s x12</p>  <p>Plastic Barrel Nut for assembling drawer panels</p>
<p>t x2 Spare Part</p>  <p>Castor Wheel Clip</p>				

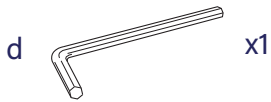
## 1 Prepare the side rails for assembly.



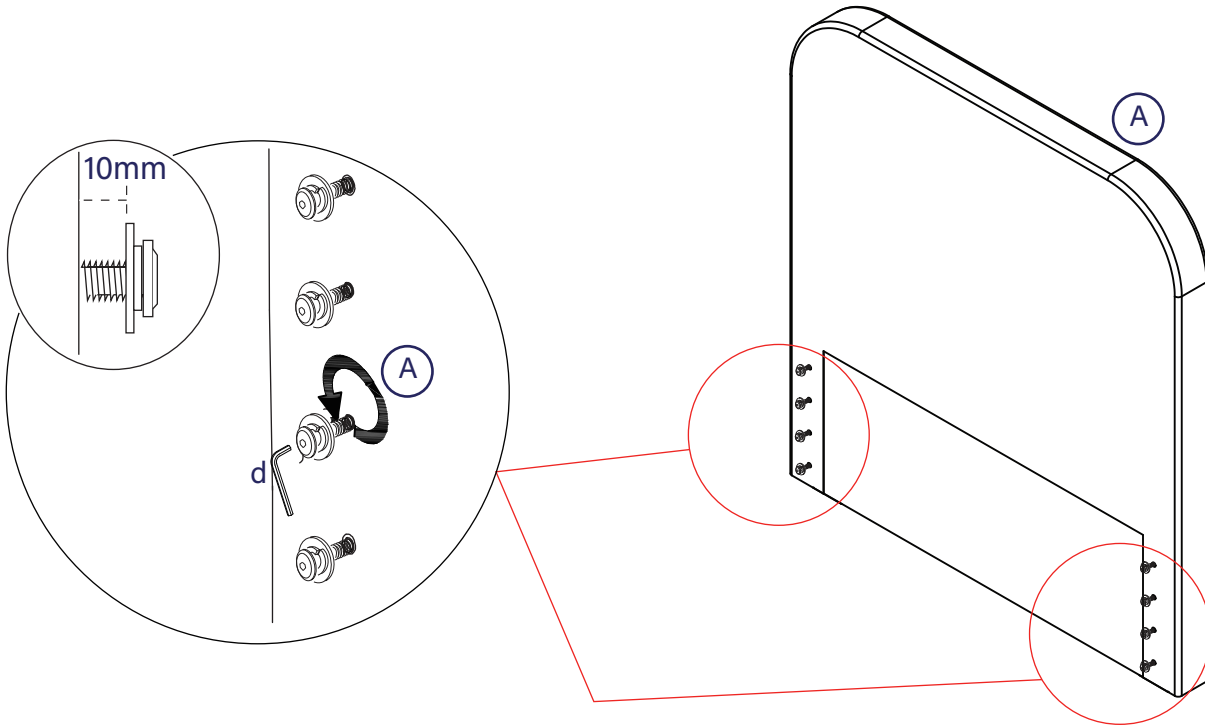
## 2 Prepare the headboard for assembly.



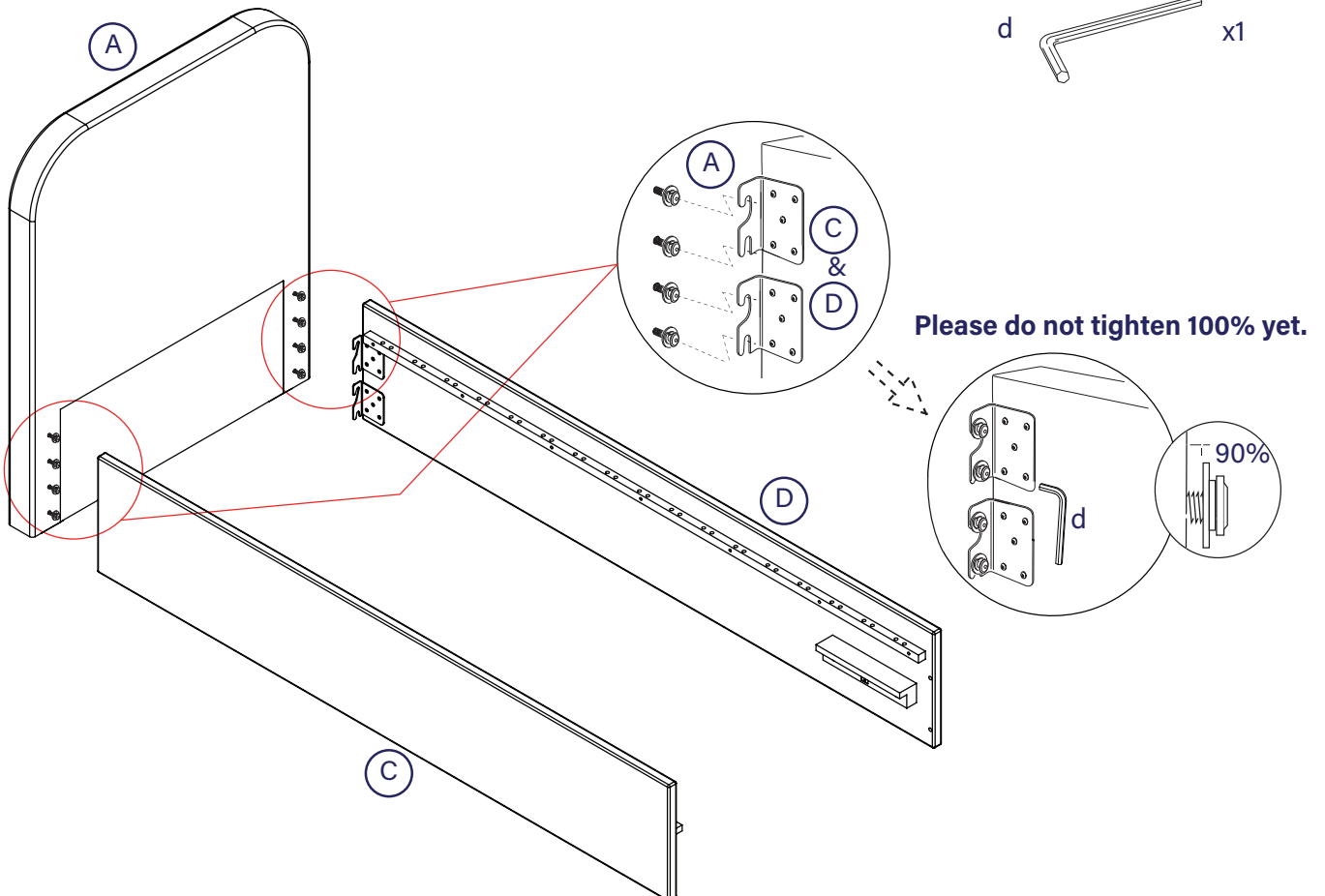
Hardware pre-fitted to the Headboard (A)



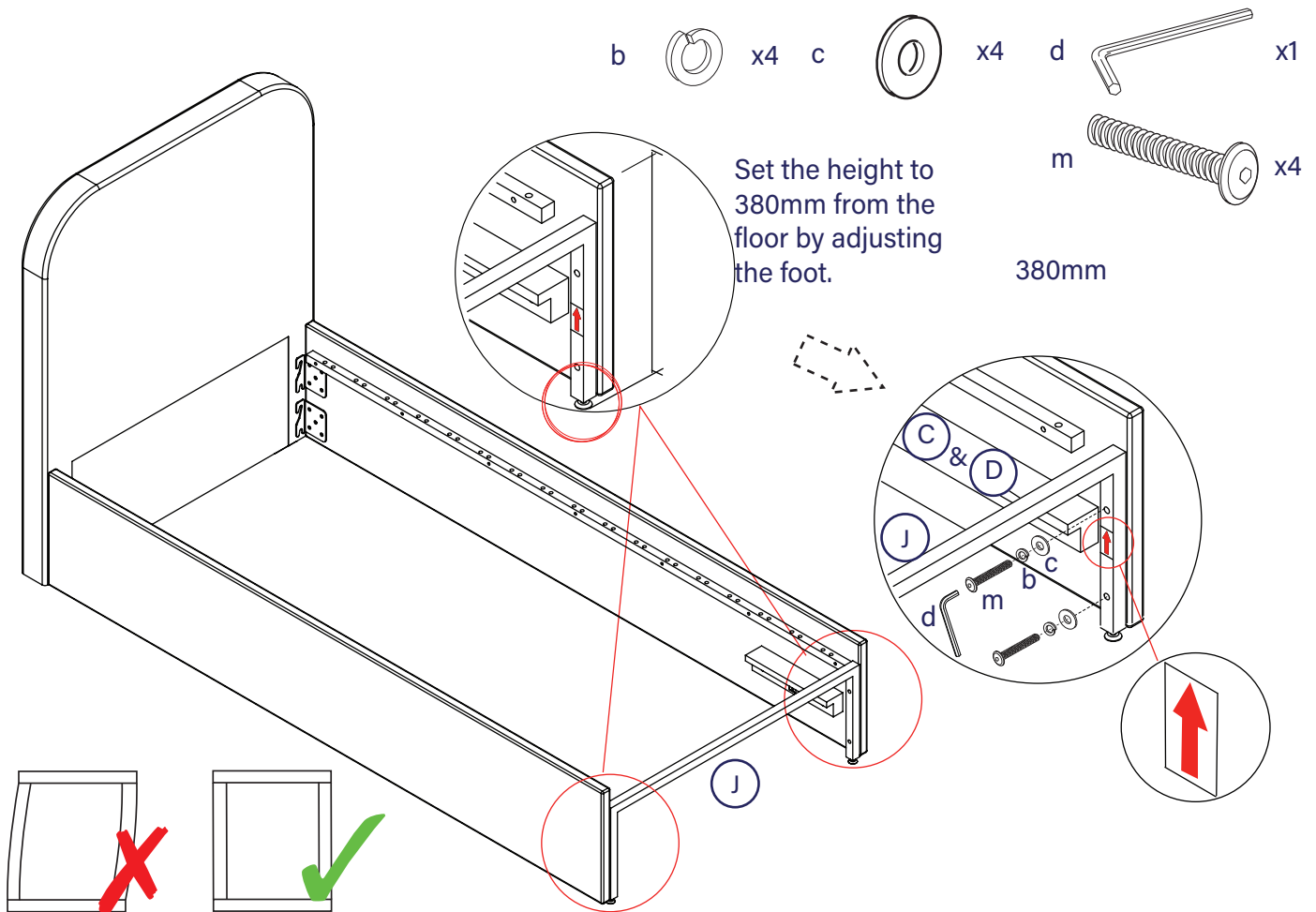
Please do not remove these screws - unscrew them by 10mm using Allen key (d)



## 3 Fit both side rails to headboard, tighten all bolts 90%.

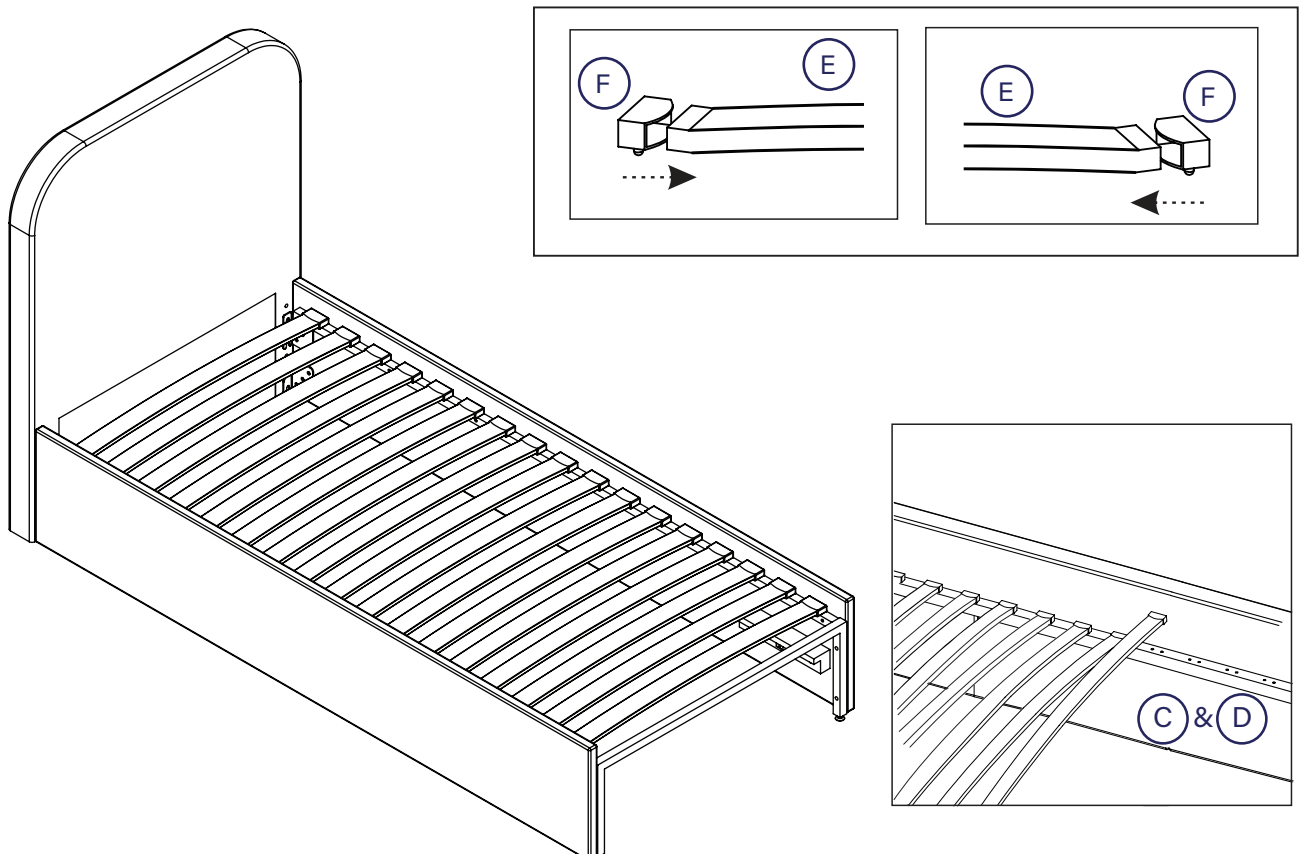


**4 Fit the "U" Shape Cross Bar and tighten all bolt sets 100%.**



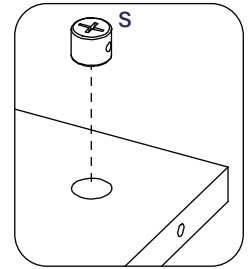
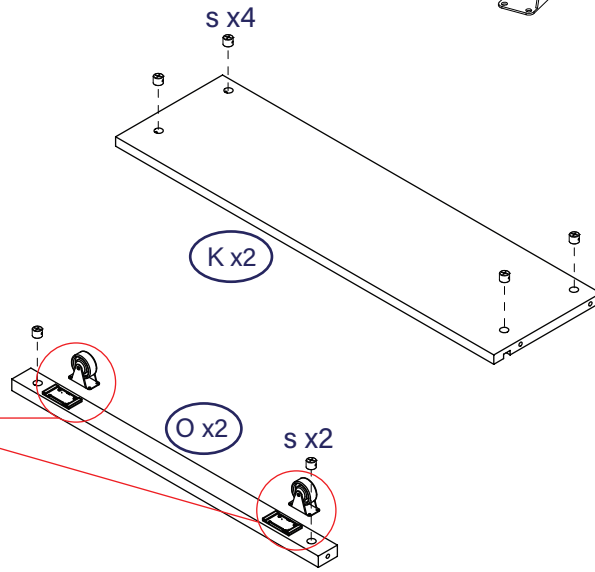
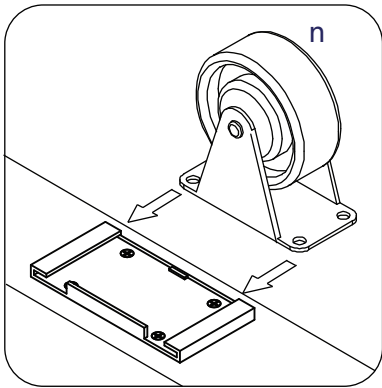
**Make certain the bed is squared up as shown in the diagram then tighten all bed assembly bolts 100%.**

**4 Fit wooden slats (E) and plastic caps (F) on side rail.**

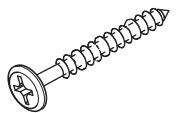


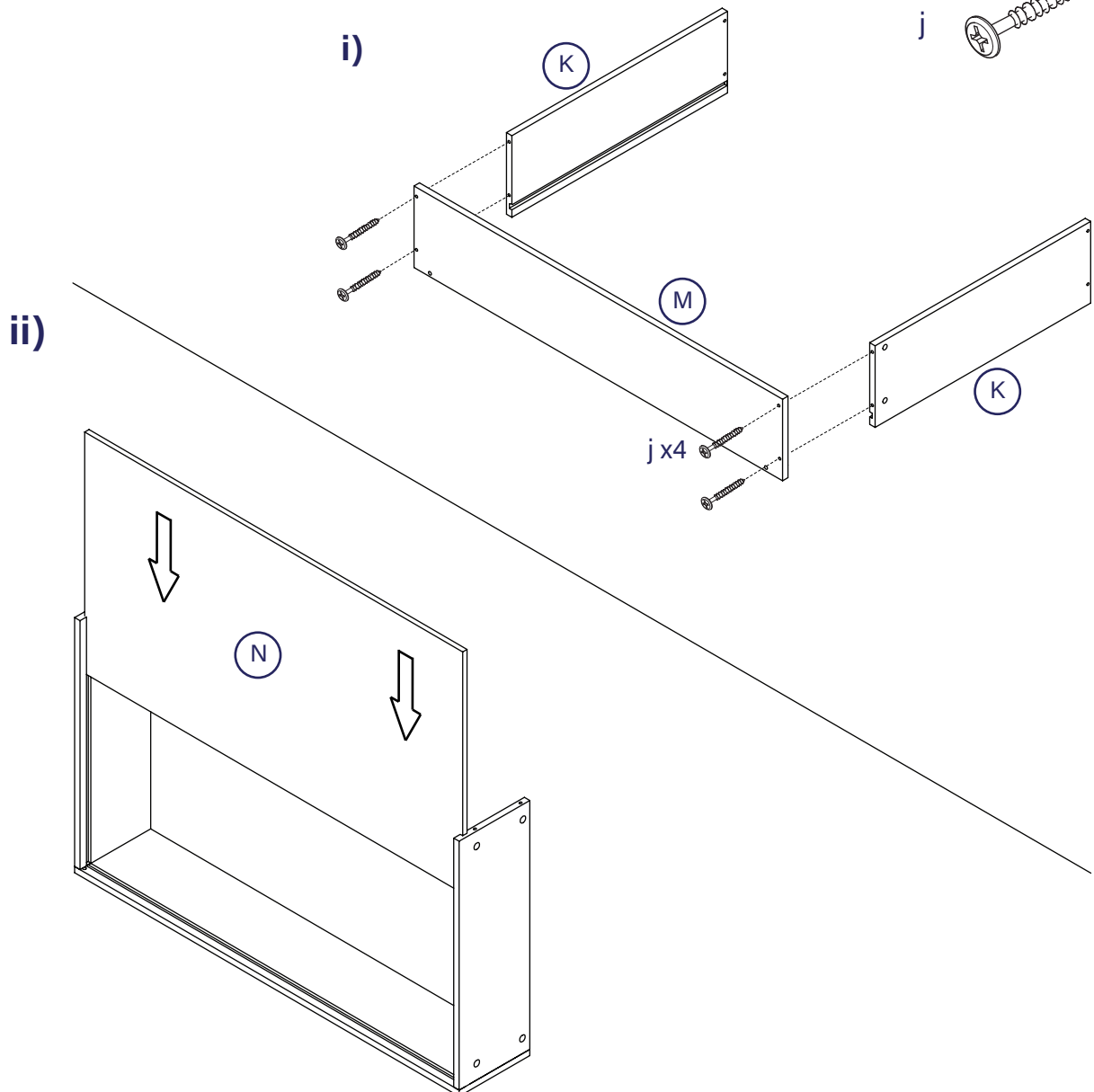
## 6 Assemble the Drawer

n  x4    s  x8

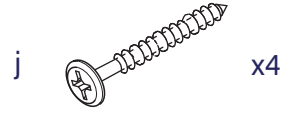
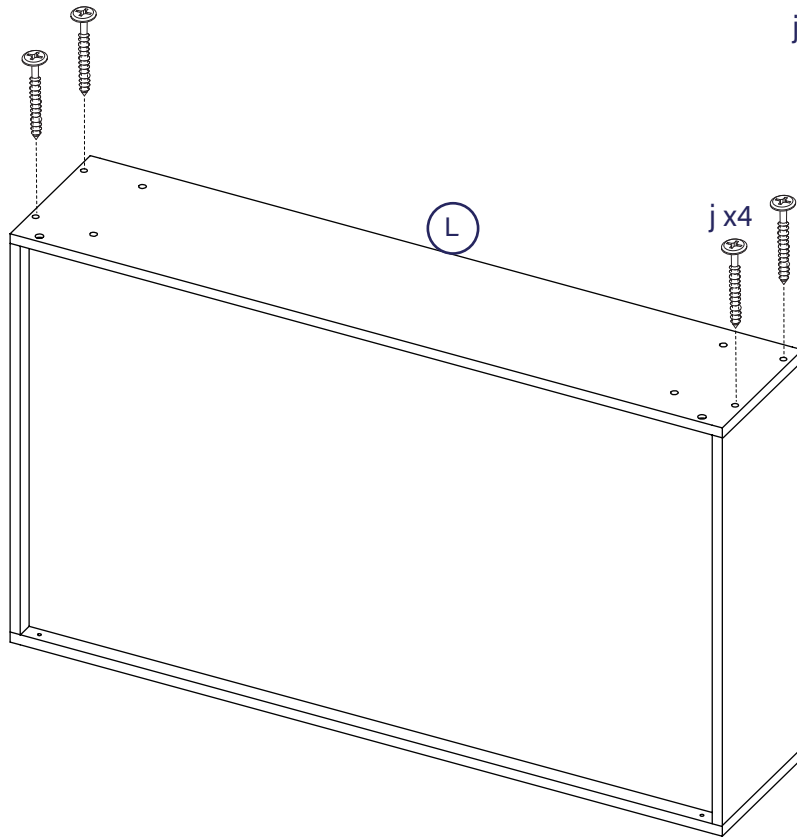


## 7

i)  x4

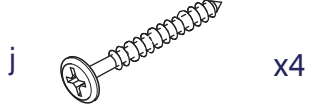
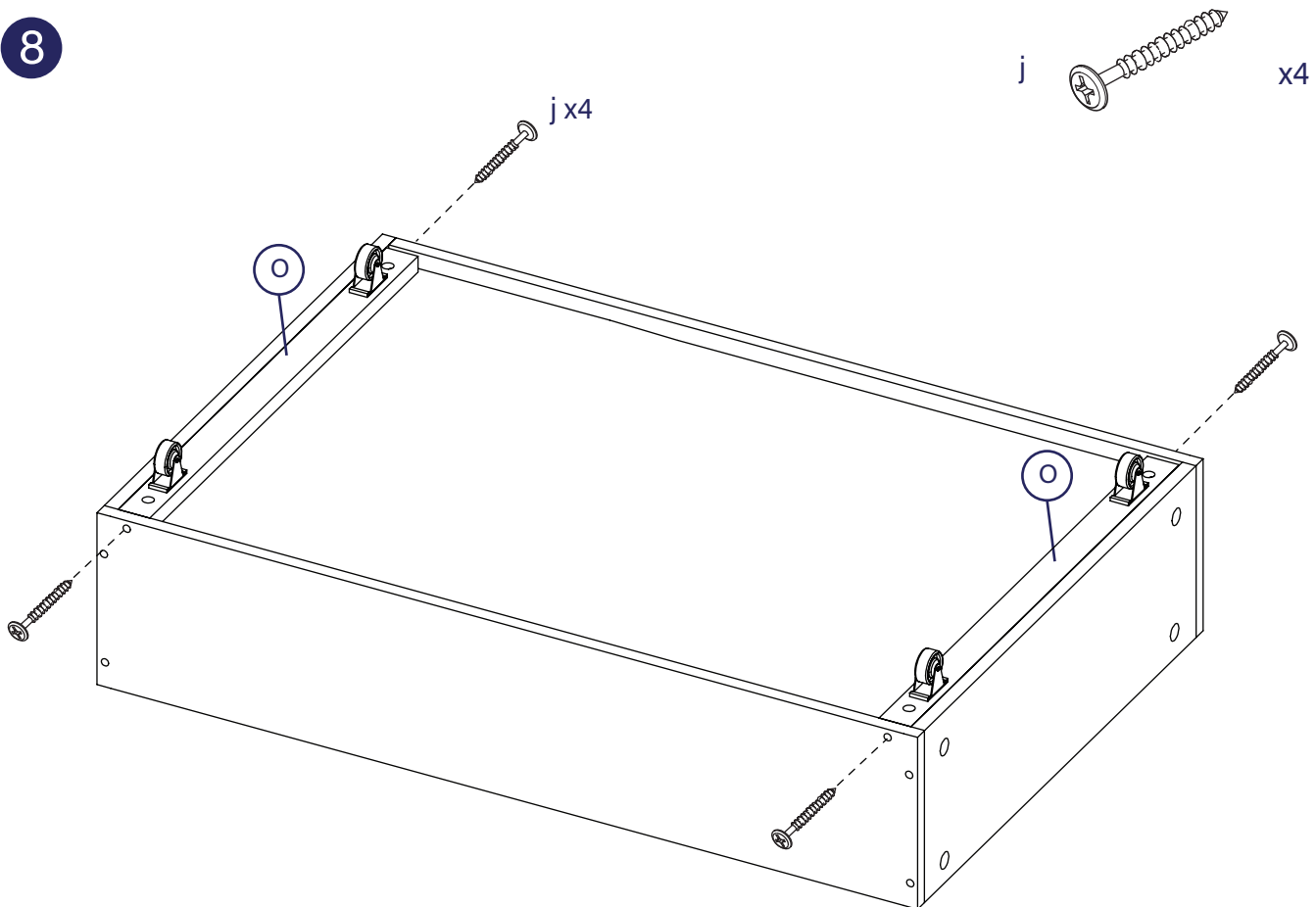


iii)



j x4

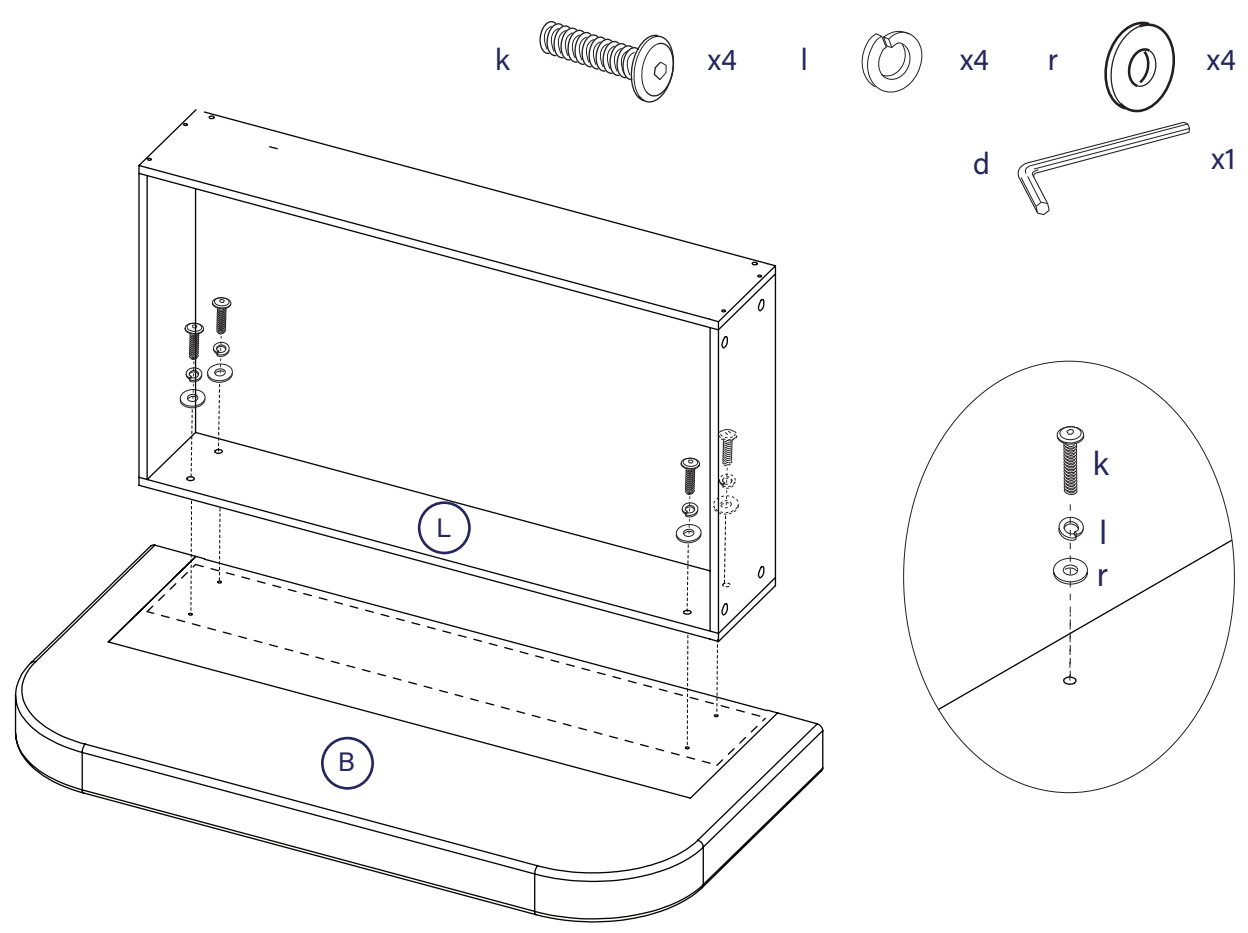
8



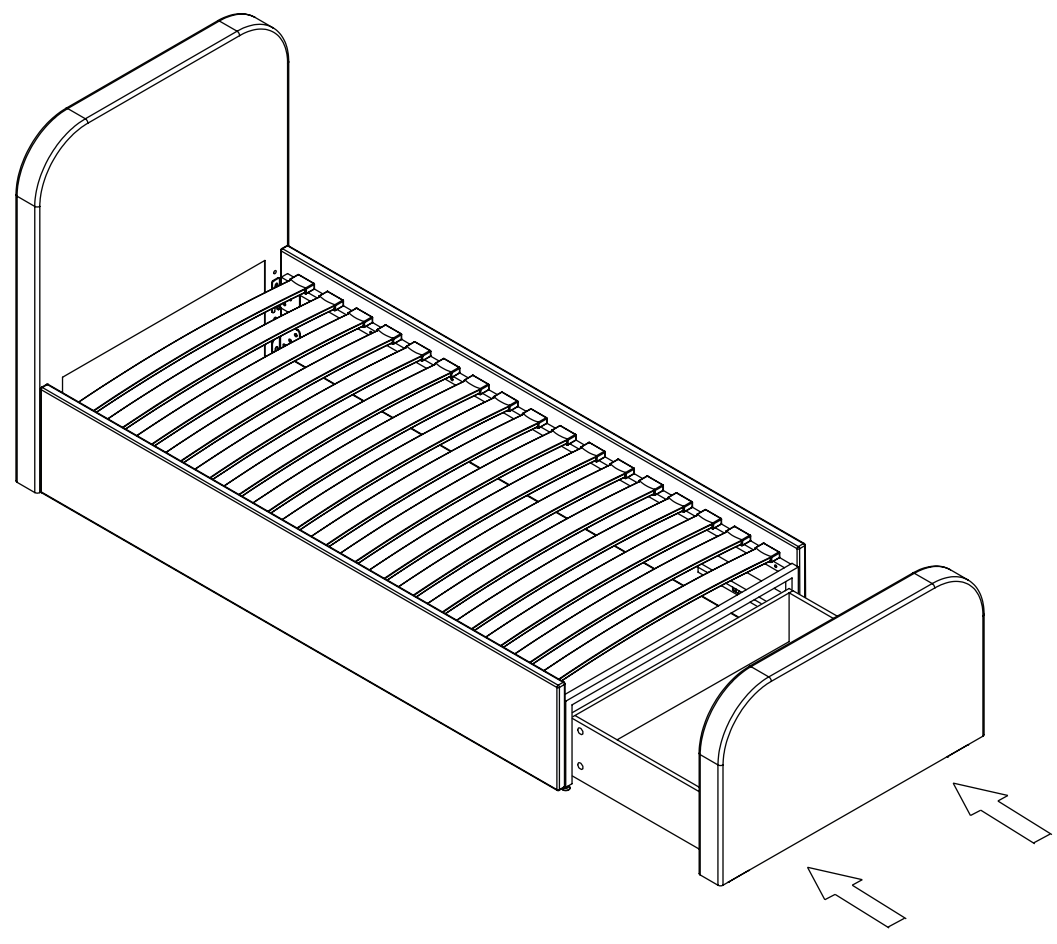
j x4



9



10 Carefully slide in the drawer



# Care and maintenance

Here are some tips to keep your new bed in tip-top condition



## Cleaning

To clean your new bed, we'd advise using a warm damp cloth or if fabric, remove dust using a low suction vacuum cleaner - please do not use abrasive chemicals or bleach as this may damage the product.



## Checking and moving

Periodically we recommend you check that the screws or fixtures haven't become loose, over time. To move your new bed, we recommend lifting it where possible, as dragging or pushing it could cause damage to your flooring.



## Wood

Please note each of our wooden pieces are unique, meaning that markings and shade can vary slightly between beds. Over a period of time, the wood might lighten or fade slightly due to light exposure.



## Fabric

Please note depending on the lighting, positioning and surroundings of your room, the shade of the colour can sometimes appear slightly different. Over a period of time the colour might lighten or fade slightly due to light exposure.



## Metal

Metal tends to be more resilient to everyday wear and tear. We recommend to gently dust your metal furniture and keep it dry to maintain its look.

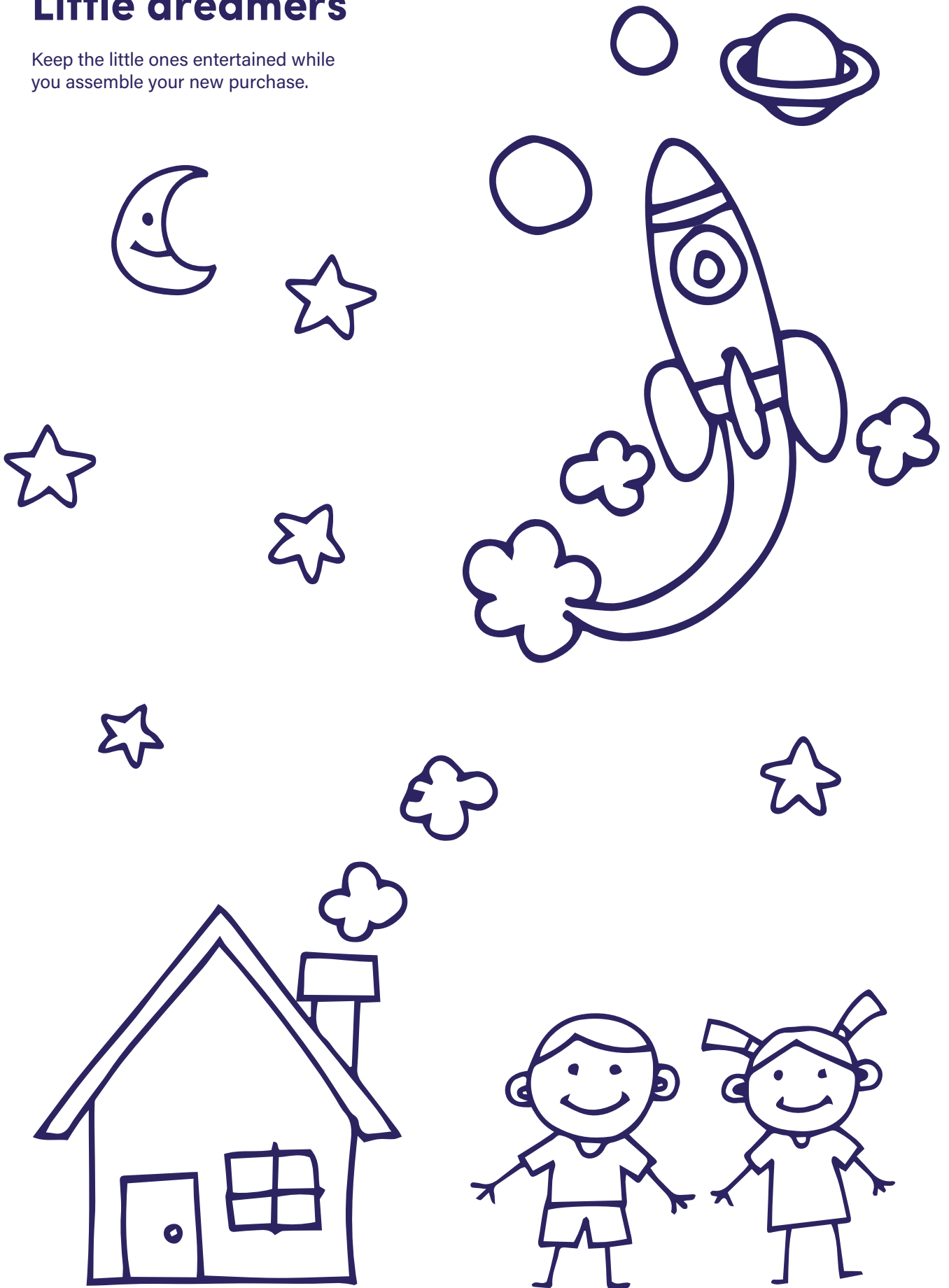
Thank you for shopping with us - we hope you have a great night's sleep

*Sleep well*



# Little dreamers

Keep the little ones entertained while you assemble your new purchase.



**Dreams**

Love your bed

**HouseBeautiful**