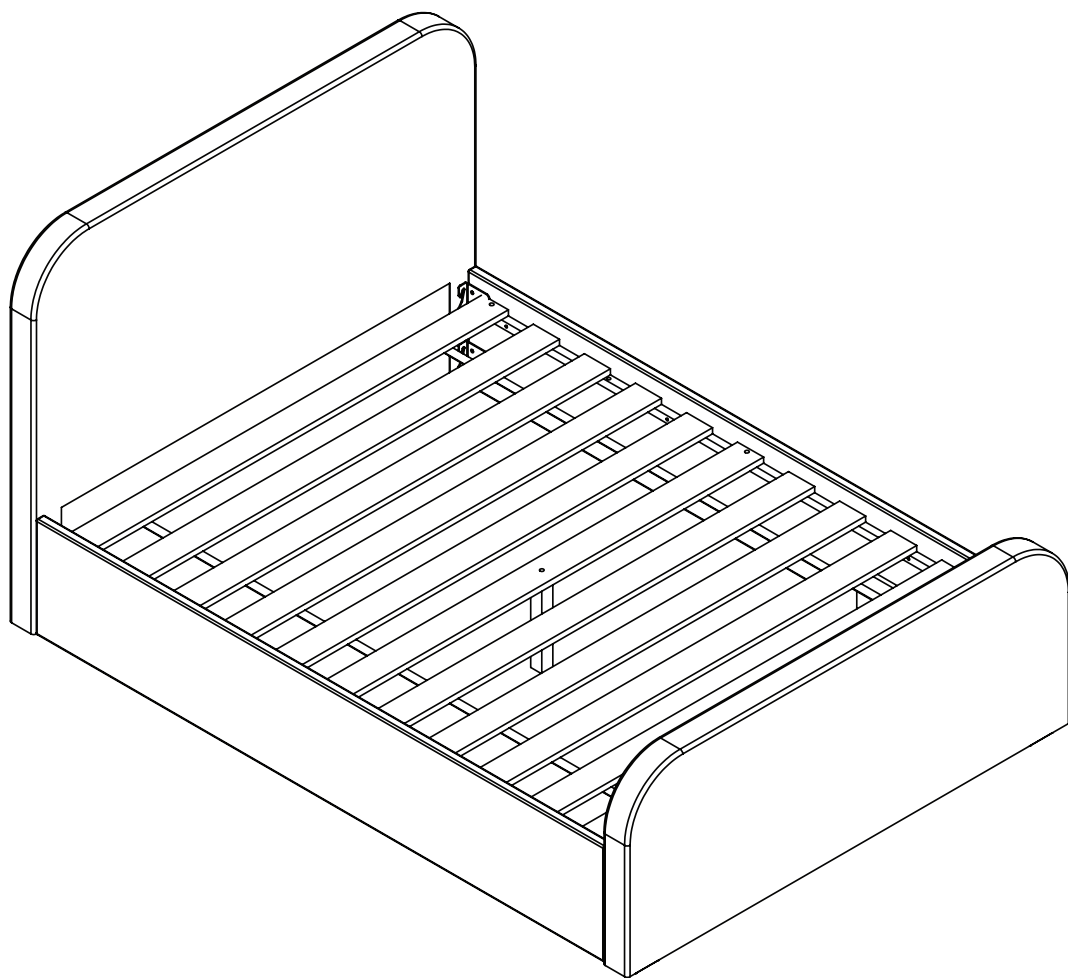


# Margot Drawer Storage Bed



1.5 hour approx  
assembly time



Two person  
assembly

## Dreams

Love your bed

## HouseBeautiful

# Thank you

Hello, thanks for choosing to purchase your bed from Dreams - you're now on your way to your best ever night's sleep. Before you begin building your bed, please take a moment to read through the instructions and make sure that you've got all the relevant parts listed on the following pages.



## Assembly tips

Before you begin, it's best to identify all parts and fittings to build your bed. We advise laying these out on the floor to check you have everything, and familiarising yourself before building.



## Top tip

We recommend that you build your new bed in the room you'd like it to be located - this will help prevent any risk of damage to your newly built bed whilst moving it.



## Safety and care

It's really important to ensure children and animals are kept away from the assembly area, as there are small components used in this bed which could present a choking hazard. All plastic and wrapping materials should also be kept away from children and animals to prevent any risk of suffocation. To keep your little ones busy, there is a colouring page inside the back cover.



## Help and support

At Dreams, it's our mission to give the whole nation a great night's sleep - this means that the quality of our products is of utmost importance to us. If there are any issues with your product or any missing parts, please visit our website at [www.dreams.co.uk/help](http://www.dreams.co.uk/help)



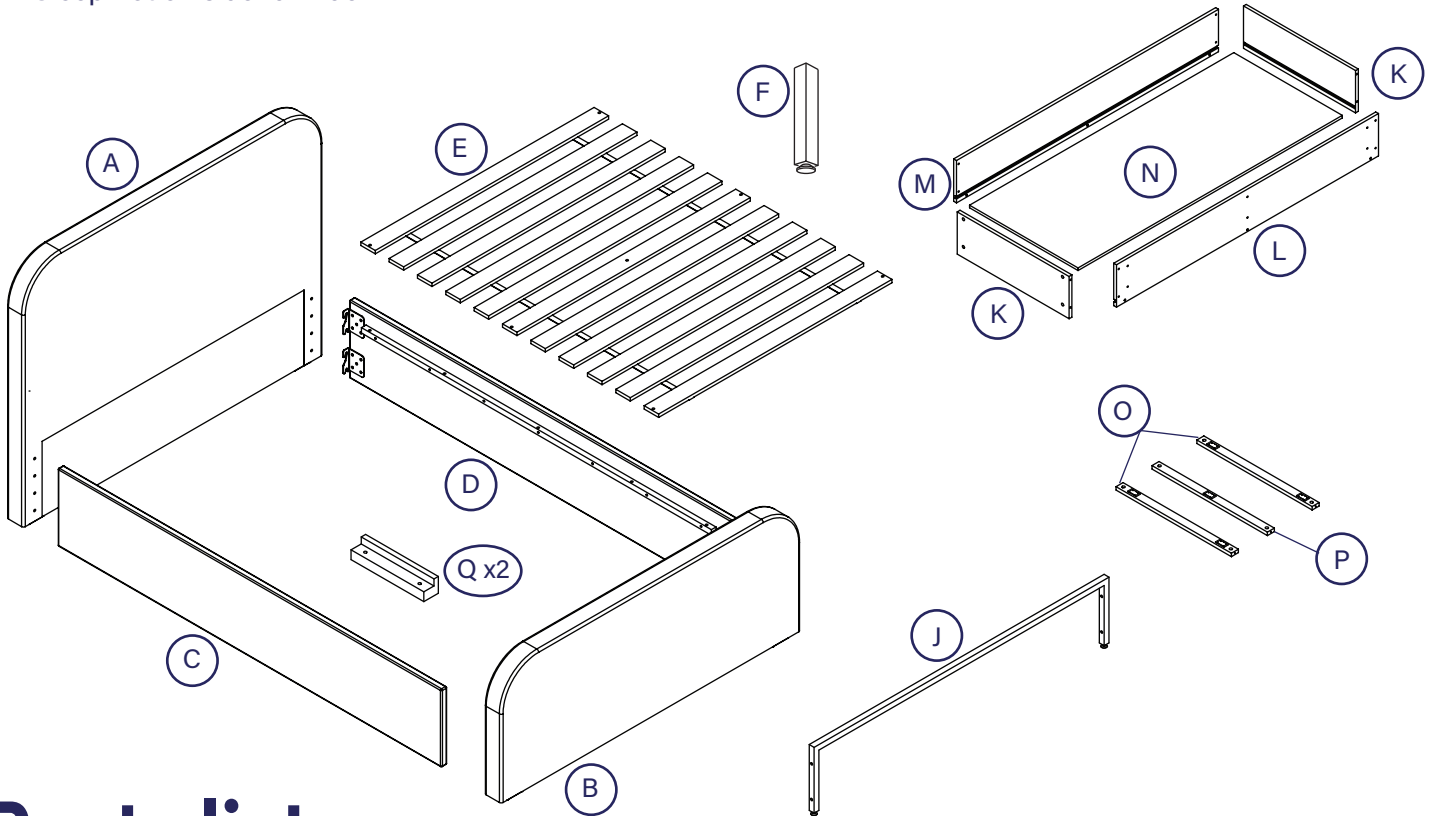
## Recycling

As part of our zero to landfill policy, we're more than happy to collect and recycle your old bed or mattress, ensuring no part goes to waste. We will also take away all your packaging for recycling at point of delivery. Please check out our services on [www.dreams.co.uk/recycling-services](http://www.dreams.co.uk/recycling-services) for more information. If you do not want us to do this, please check with your local recycling centre on the best recycling method.

# Parts

## Important information

The bed you have purchased comes with two different base options, solid wood slats or Sleepmotion electric bed base. If the wooden slat set was selected, please follow the instructions in the following order. If the electric bed base was chosen, ignore these instructions and use those packed in the Sleepmotion side rail Pack 2L.



## Parts list

Code	Description	Qty	Pack	Code	Description	Qty	Pack
A.	Headboard	1	1	K.	Drawer Side Panels	2	4
B.	Footboard	1	3	L.	Drawer Front Panel	1	4
C.	Side rail - Left	1	2	M.	Drawer Back Panel	1	4
D.	Side rail - Right	1	2	N.	Drawer Base Panel	1	4
E.	Wooden Slat Set	1		O.	Drawer Base Support Rail - Ends	2	4
F.	Wooden Slat Set Support Leg	1	2	P.	Drawer Base Support Rail - Centre	1/2	4
J.	"U" Shape Cross Bar	1	4	Q.	Drawer Guide Bars	2	4
						Small Double & Double / King	

Please note that the wooden slat set (E) is supplied separately

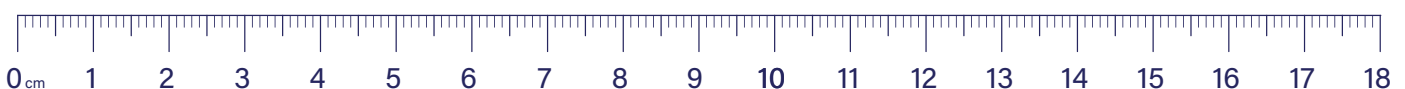
## Tools required



Tape measure



Cross head screwdriver




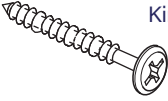
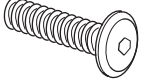

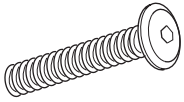
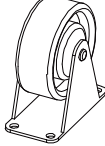


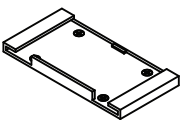


# Fittings

Please check you have all the parts listed below with your product:

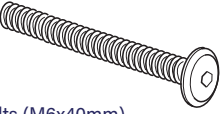
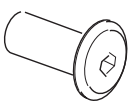

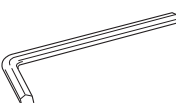
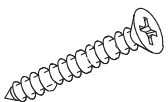

**Hardware pack (A) needed for assembling the drawer and fixing the metal drawer frame (J) and slide support bar (Q) to side rails.**

**Packed with the drawer - Pack 4**

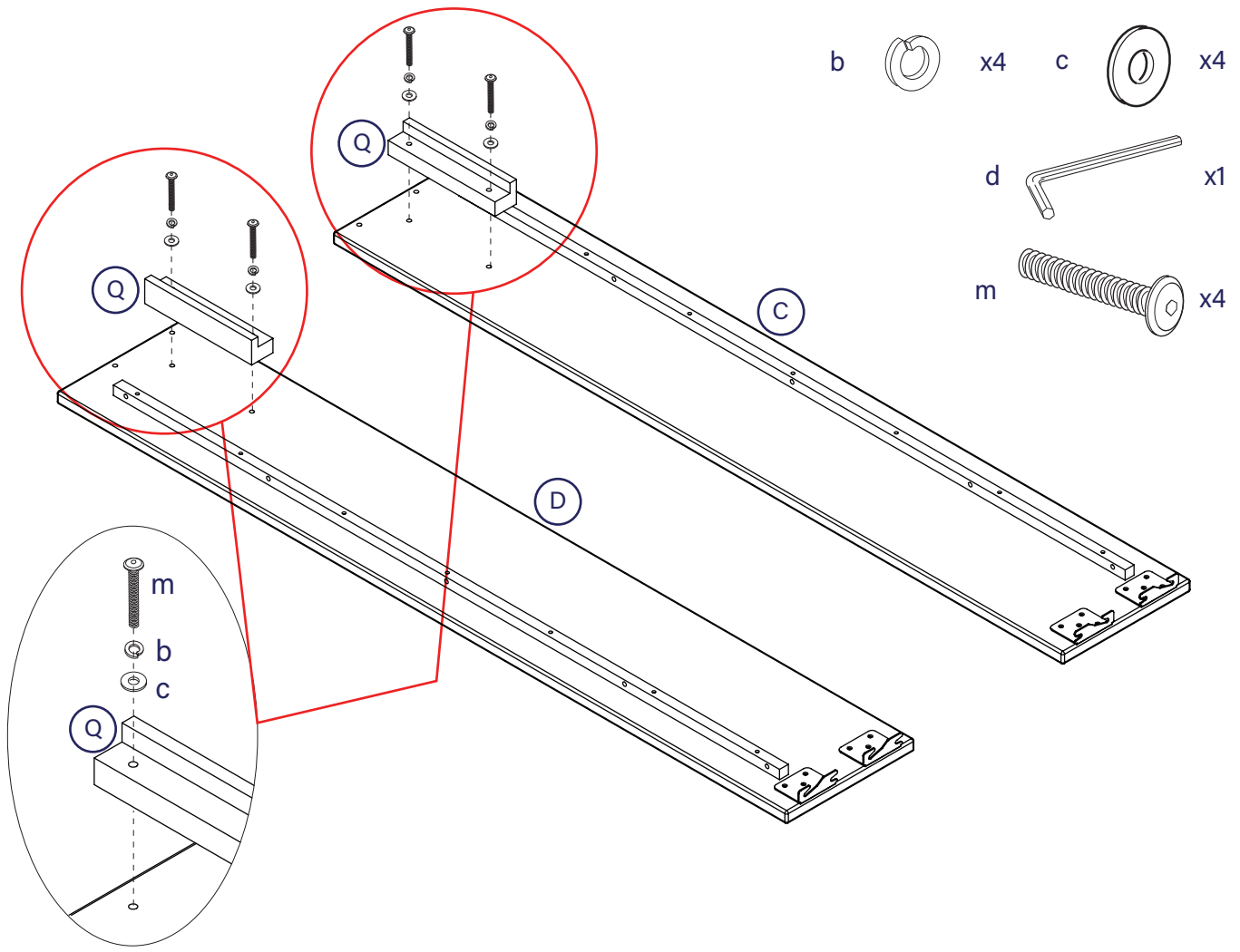
<p><b>b x8</b></p>  <p>Spring Washer for M8 bolt</p>	<p><b>c x8</b></p>  <p>Flat Washer for M8 bolt</p>	<p><b>d x1</b></p>  <p>Allen Key for M8 bolt</p>	<p><b>j</b> Small Double &amp; Double x14 King x16</p>  <p>Screws (5x50mm) for assembling drawer panels</p>	<p><b>k x6</b> Black</p>  <p>Bolts (M8x35mm) for fitting drawer front panel (L) to footboard (B)</p>
<p><b>l x6</b> Black</p>  <p>Spring Washer for M8 bolt</p>	<p><b>m x8</b></p>  <p>Bolts (M8x45mm) for fitting "U" shape cross bar (J) to side rails (C&amp;D)</p>	<p><b>n</b> Small Double &amp; Double x5 King x6</p>  <p>Drawer Wheels</p>	<p><b>r x6</b> Black</p>  <p>Flat Washer for M8 bolt</p>	<p><b>s x16</b> Small Double &amp; Double x14 King x16</p>  <p>Plastic Barrel Nut for assembling drawer panels</p>
<p><b>t x2</b> Spare Part</p>  <p>Castor Wheel Clip</p>				

**Hardware pack (B) needed for fitting wood slats**

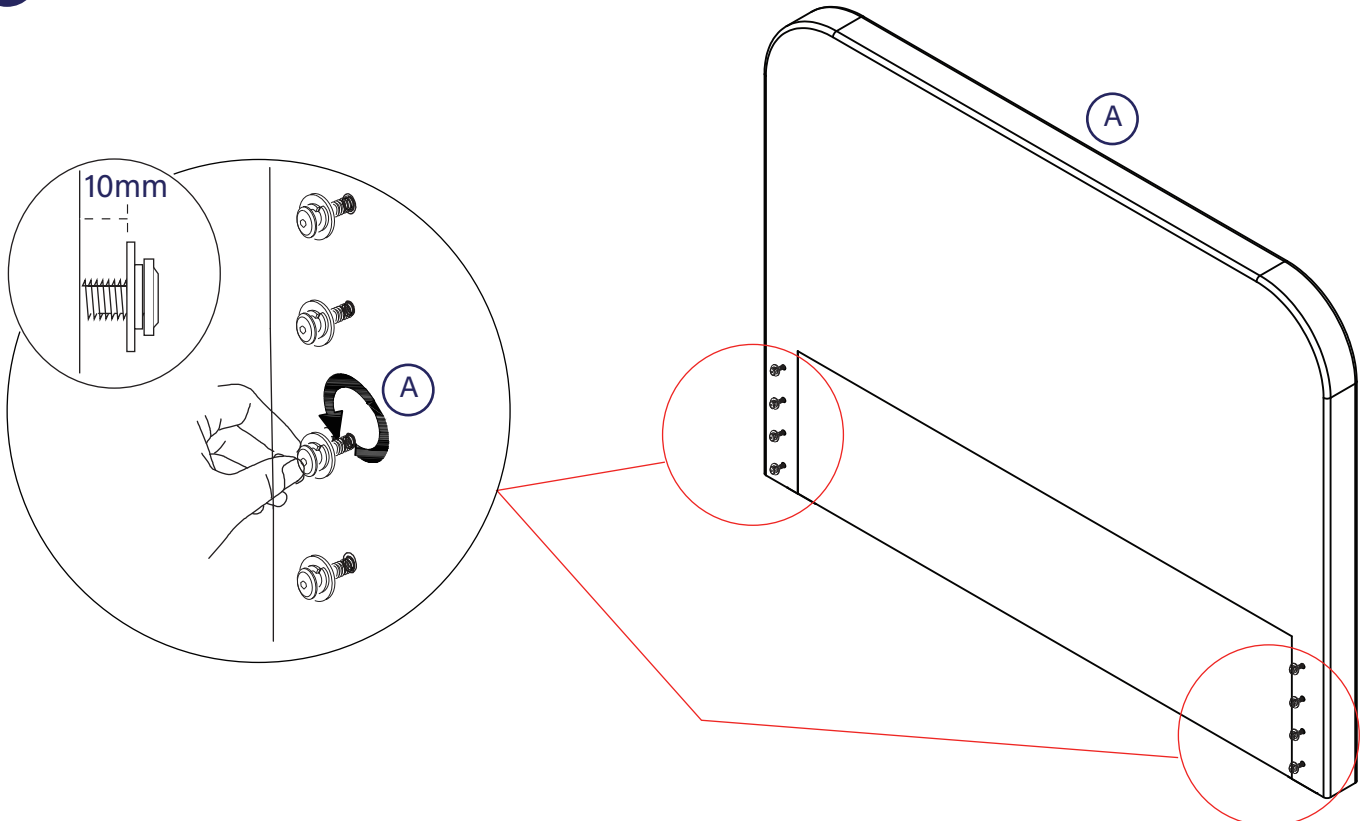
**Packed in side rail - Pack 2**

<p><b>e x6</b></p>  <p>Bolts (M6x40mm) for fitting wooden slat set (E) to side rails (C &amp; D)</p>	<p><b>f x6</b></p>  <p>Sleeve Nut for M6 bolt</p>	<p><b>g x7</b></p>  <p>Flat Washer for M6 bolt &amp; 5mm screw</p>	<p><b>h x1</b></p>  <p>Allen Key for M6 bolt</p>	<p><b>u x1</b></p>  <p>Screw (5x50mm) for fitting slat support leg (F)</p>
<p><b>v x6</b></p>  <p>Spring Washer for M6 bolts</p>				

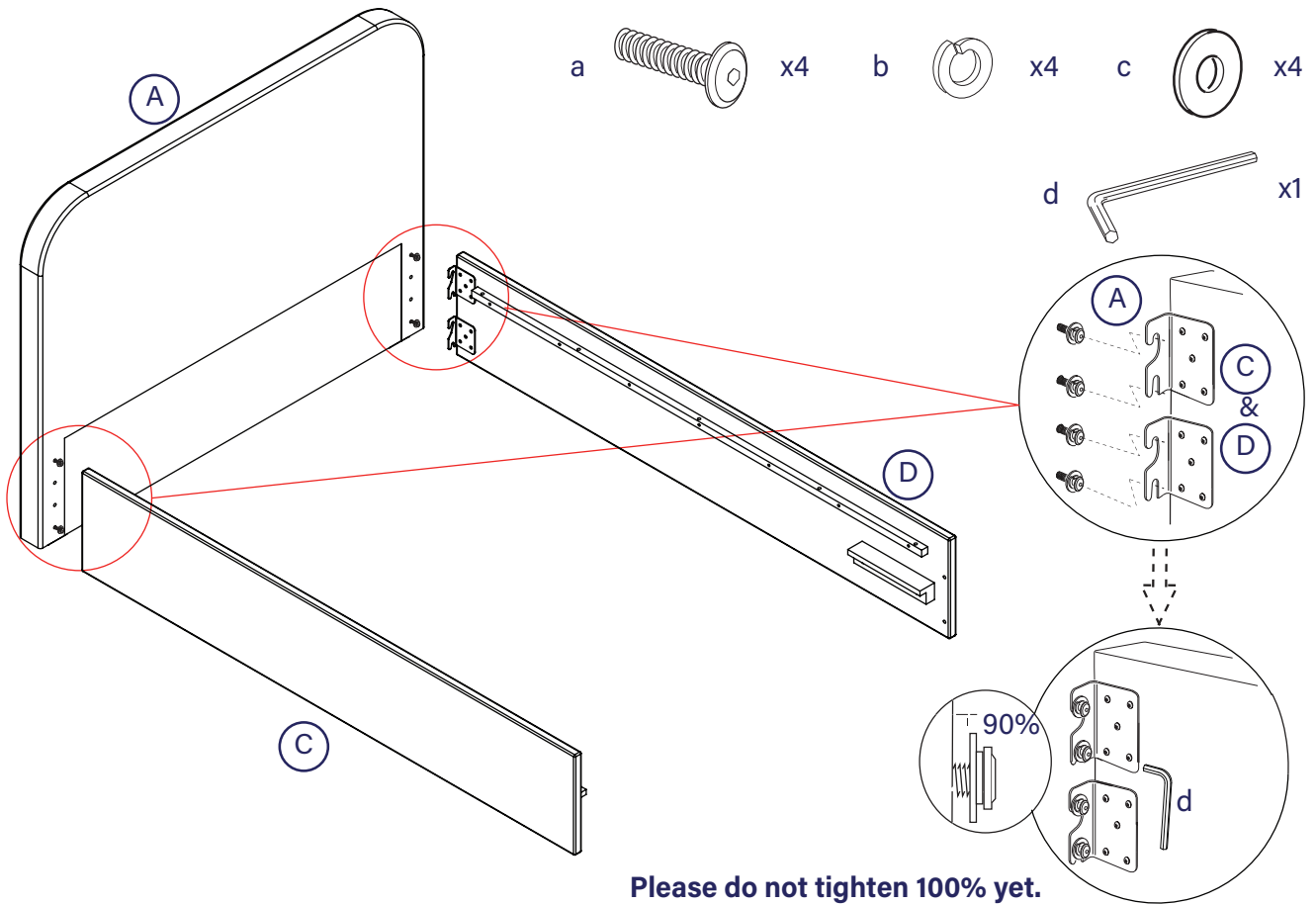
# 1 Prepare the side rails for assembly.



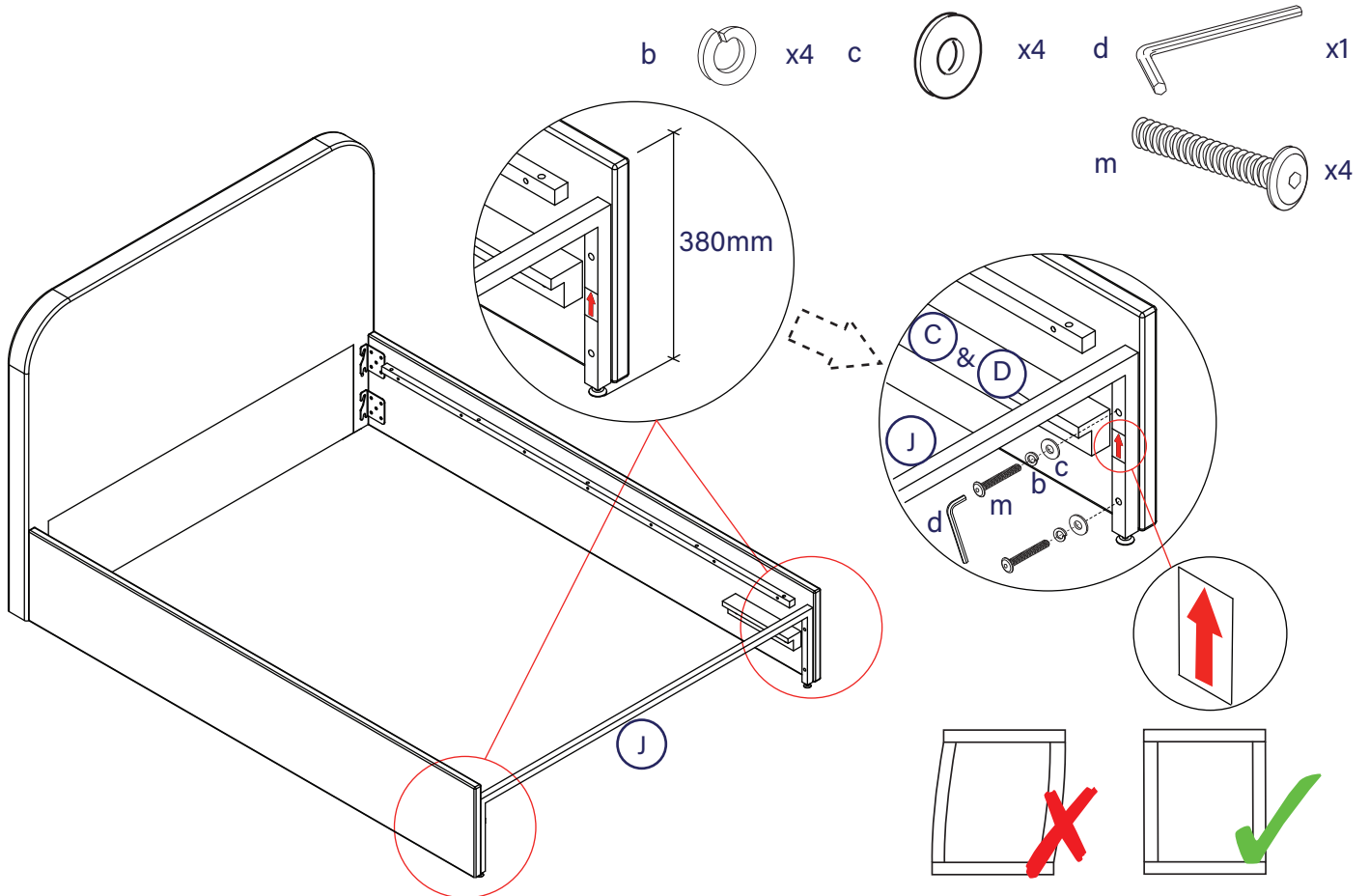
# 2 Prepare the headboard for assembly.



**3 Fit both side rails to headboard, tighten all bolts 90%.**

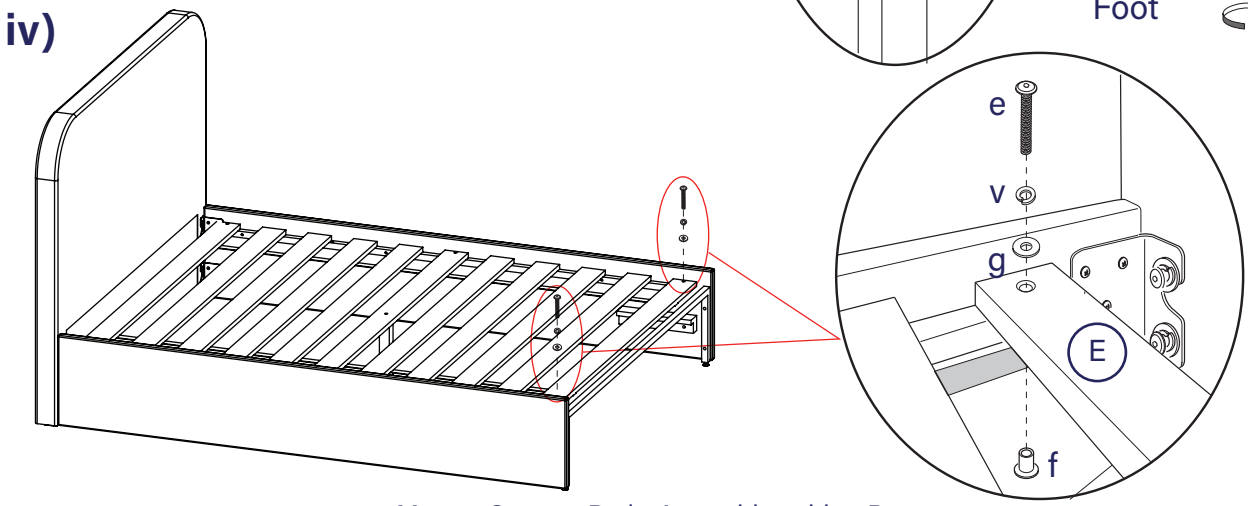
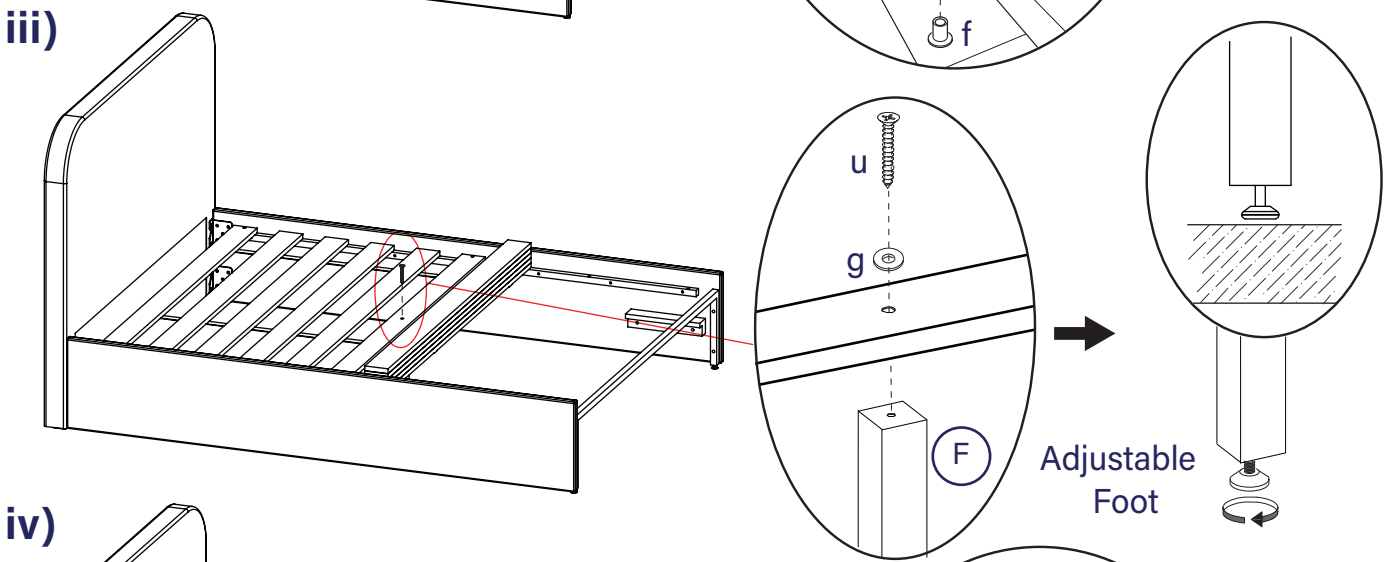
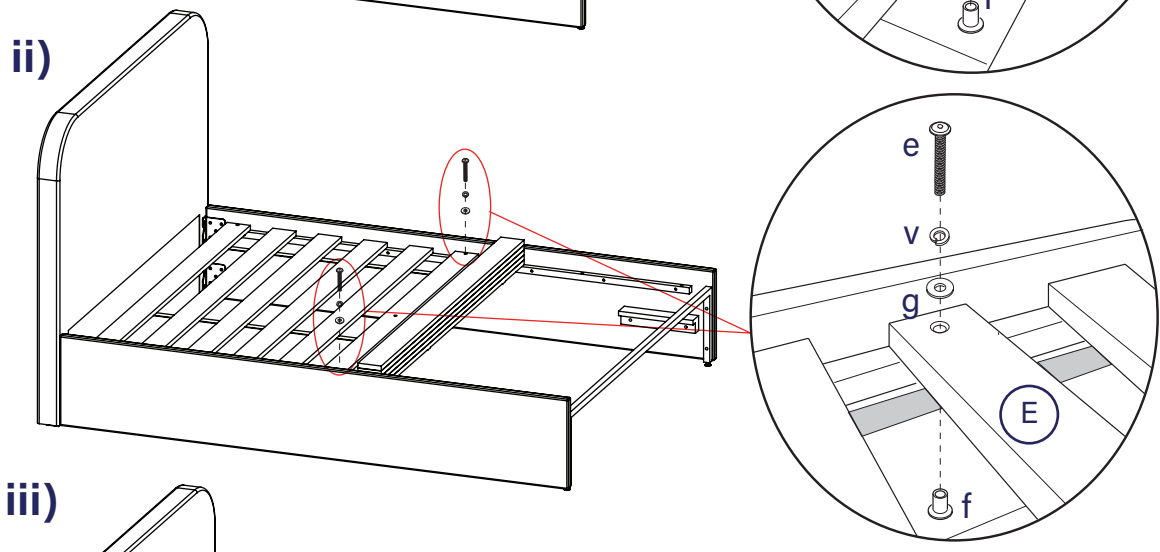
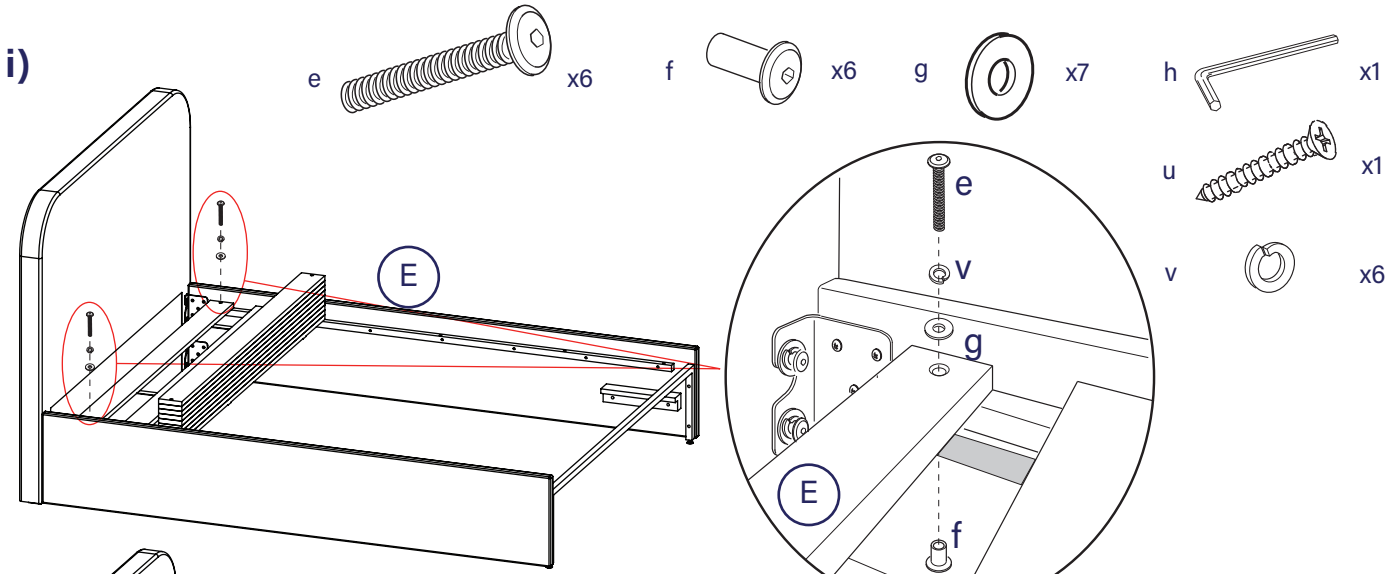


**4 Fit the "U" Shape Cross Bar and tighten all bolt sets 100%.**

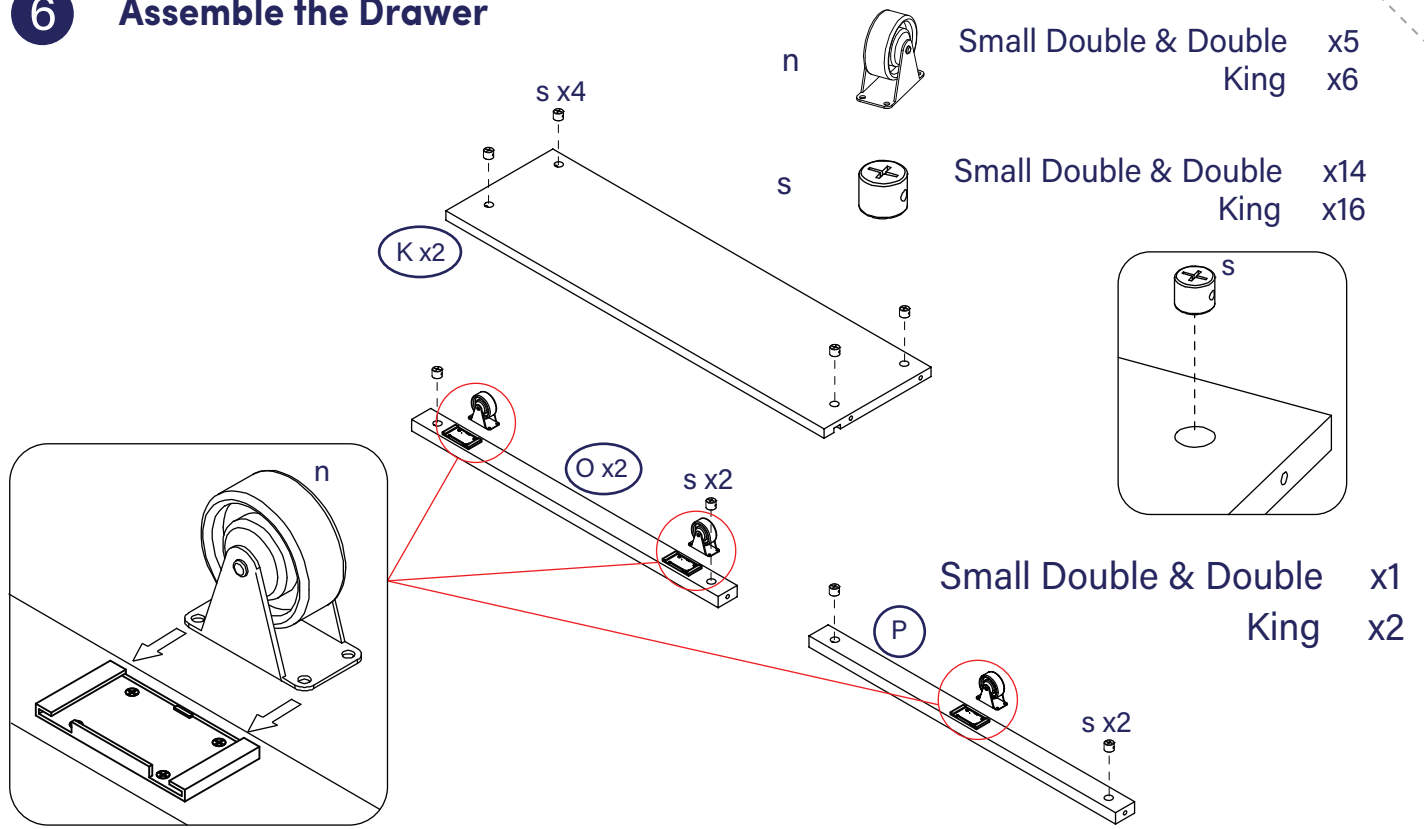


**Make certain the bed is squared up as shown in the diagram then tighten all bed assembly bolts 100%.**

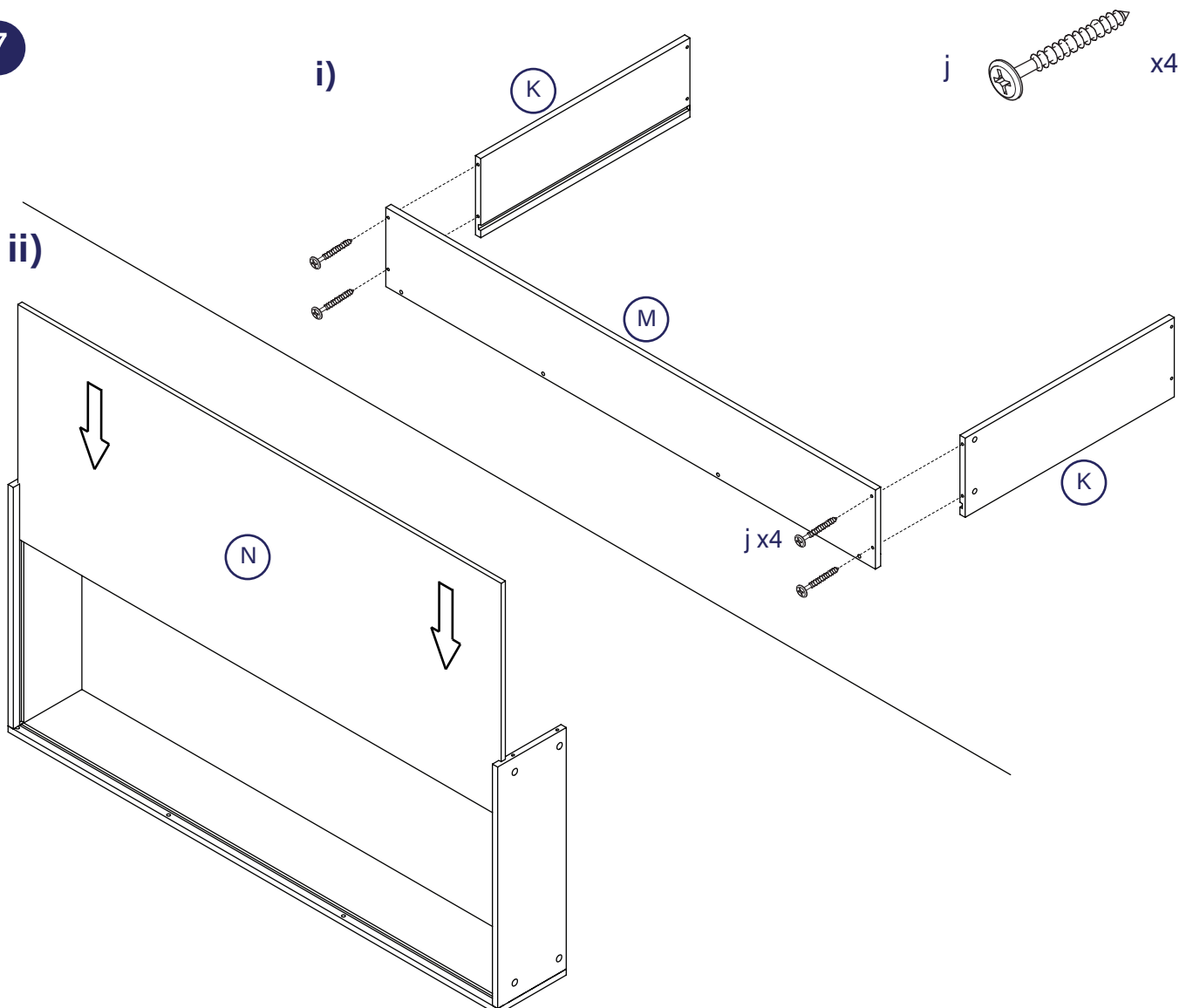
# 5 Fitting the wooden slats.



## 6 Assemble the Drawer

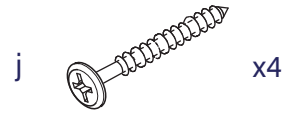
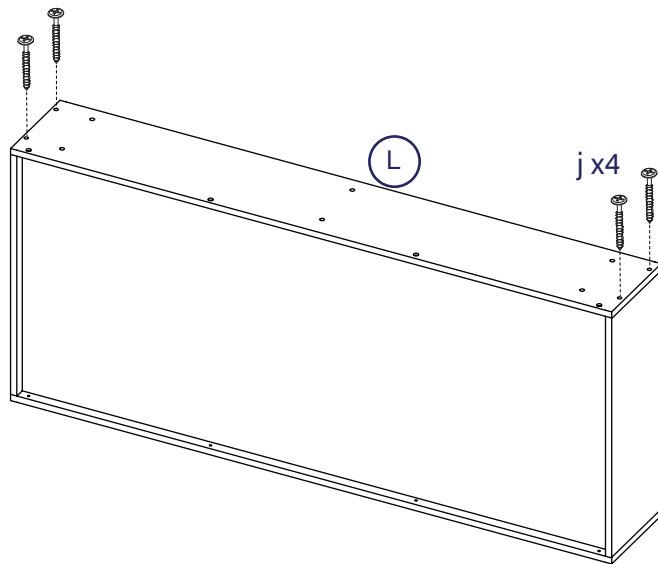


## 7



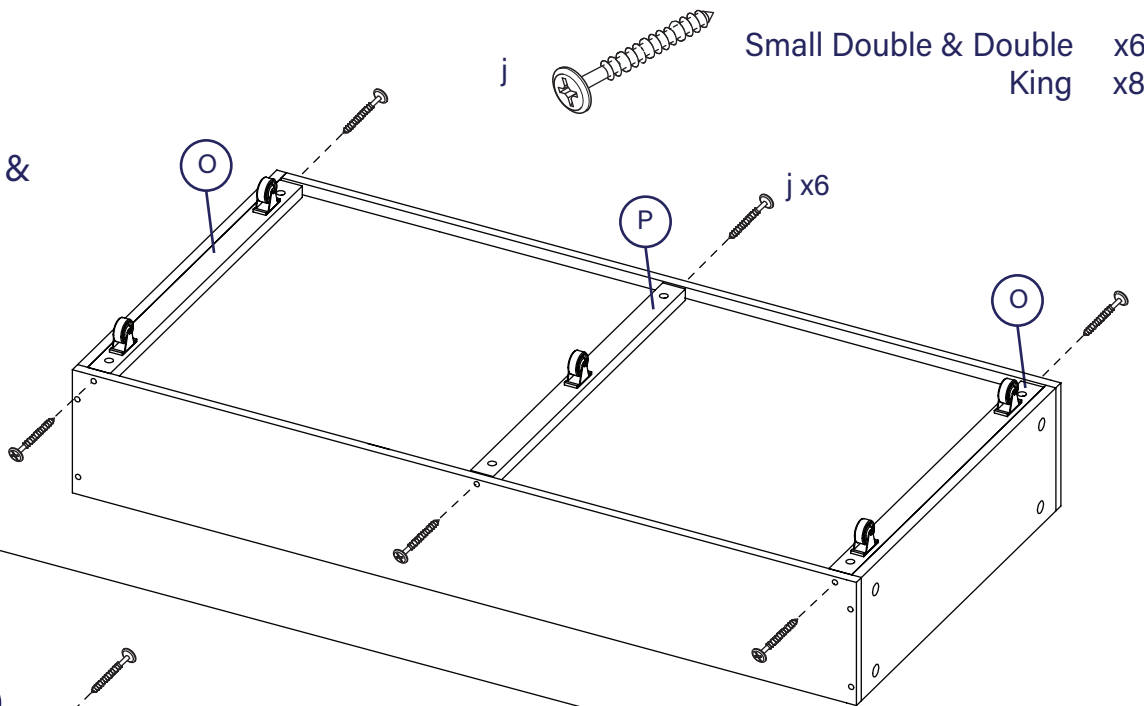


iii)



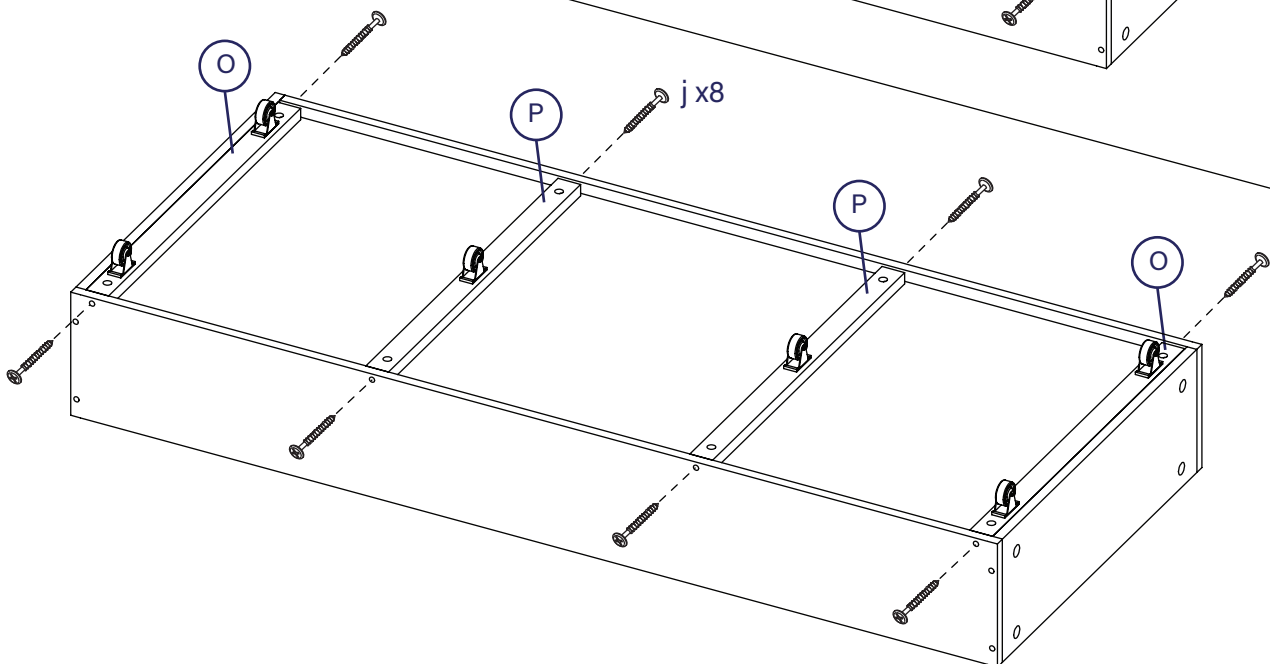
8

Small Double & Double



Small Double & Double x6  
King x8

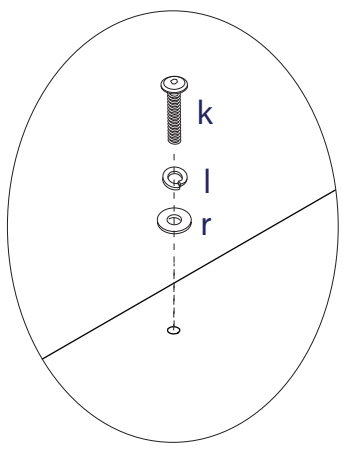
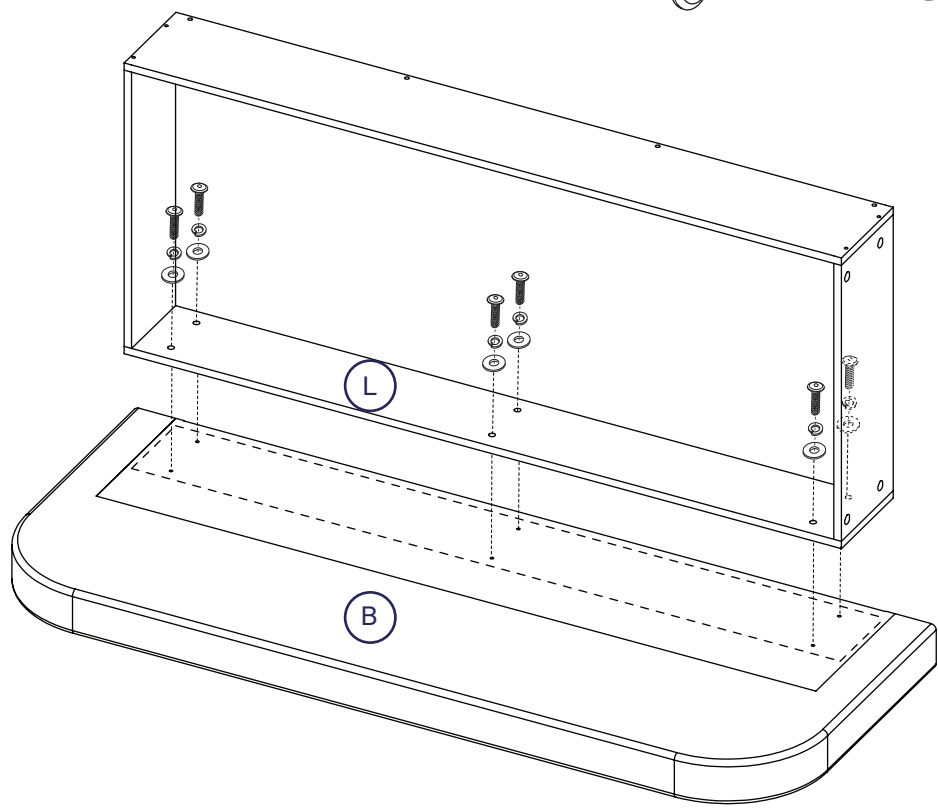
King



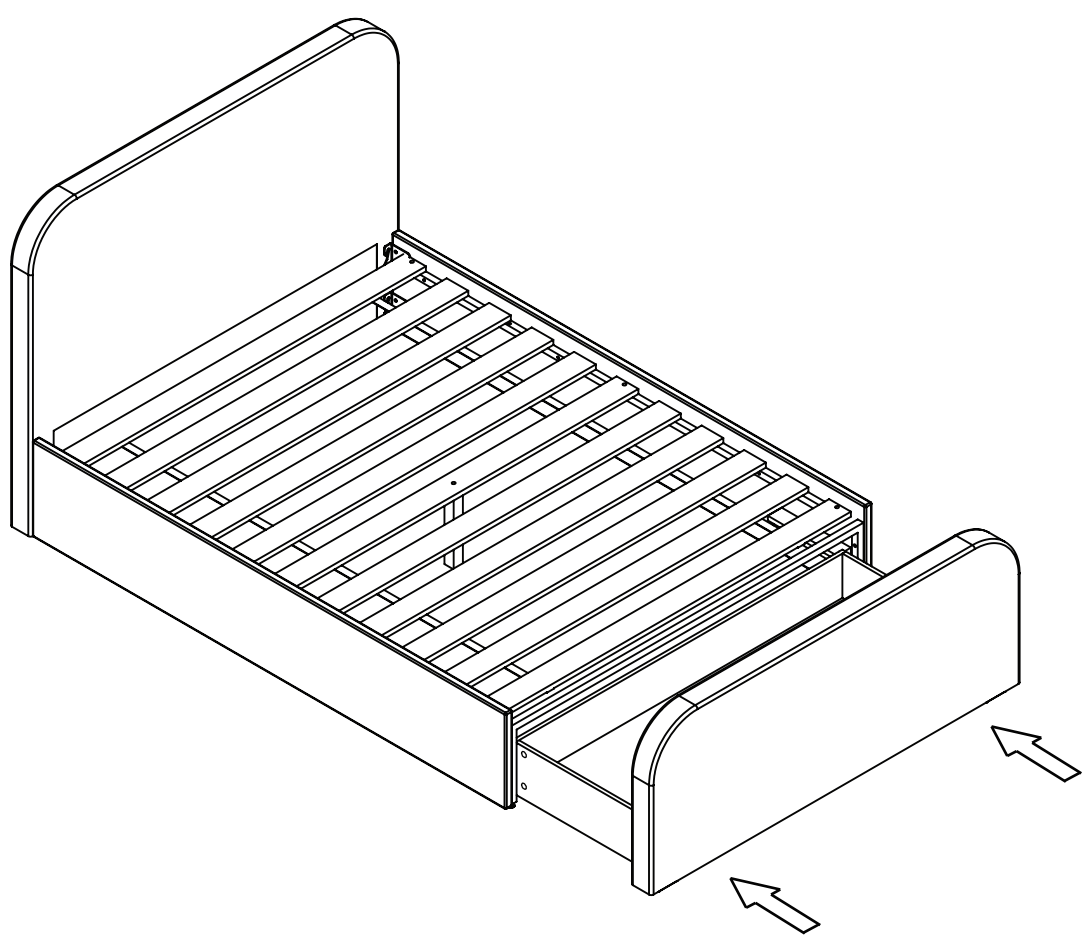
9

k x6 l x6 r x6

d x1



10 Carefully slide in the drawer



# Care and maintenance

Here are some tips to keep your new bed in tip-top condition



## Cleaning

To clean your new bed, we'd advise using a warm damp cloth or if fabric, remove dust using a low suction vacuum cleaner.

Please do not use abrasive chemicals or bleach as this may damage the product.



## Checking and moving

Periodically we recommend you check that the screws or fixtures haven't become loose over time. To move your new bed, we recommend lifting it where possible, as dragging or pushing it could cause damage to the legs or flooring.



## Wood

Please note each of our wooden pieces are unique, meaning that markings and shade can vary slightly between beds. Over a period of time, the wood might lighten or fade slightly due to light exposure.



## Fabric

Please note depending on the lighting, positioning and surroundings of your room, the shade of the colour can sometimes appear slightly different. Over a period of time, the colour might lighten or fade slightly due to light exposure.



## Metal

Metal tends to be more resilient to everyday wear and tear. We recommend to gently dust your metal furniture and keep it dry to maintain its look.

**Thank you for shopping with us - we hope you have a great night's sleep.**

*Sleep well*

# Little dreamers

Keep the little ones entertained while you assemble your new purchase.

