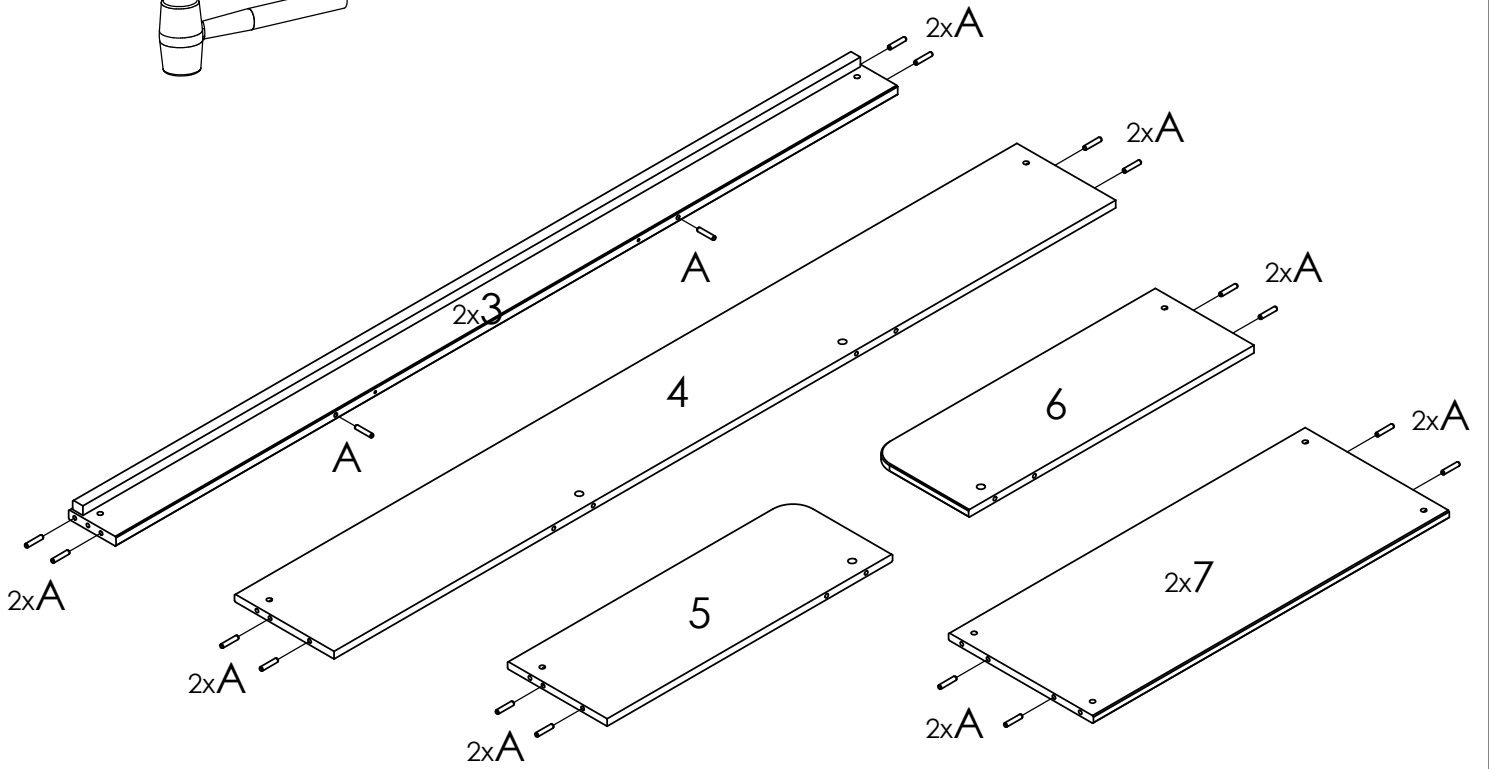
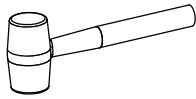



A		8x40	x32
B		M6x90	x24
C		M6x10x13	x24
D		6,3x90	x4
E		7x34	x4
F		15x12	x4
G		D9,8/60/5,8	x4

H		D15x19	x4
J		M10x12	x4
K		3,5x40	x6
P		D15x18	x28
L		D20	x4
M		38x3	x4
N		4mm	x1

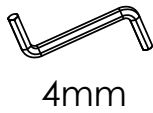
①



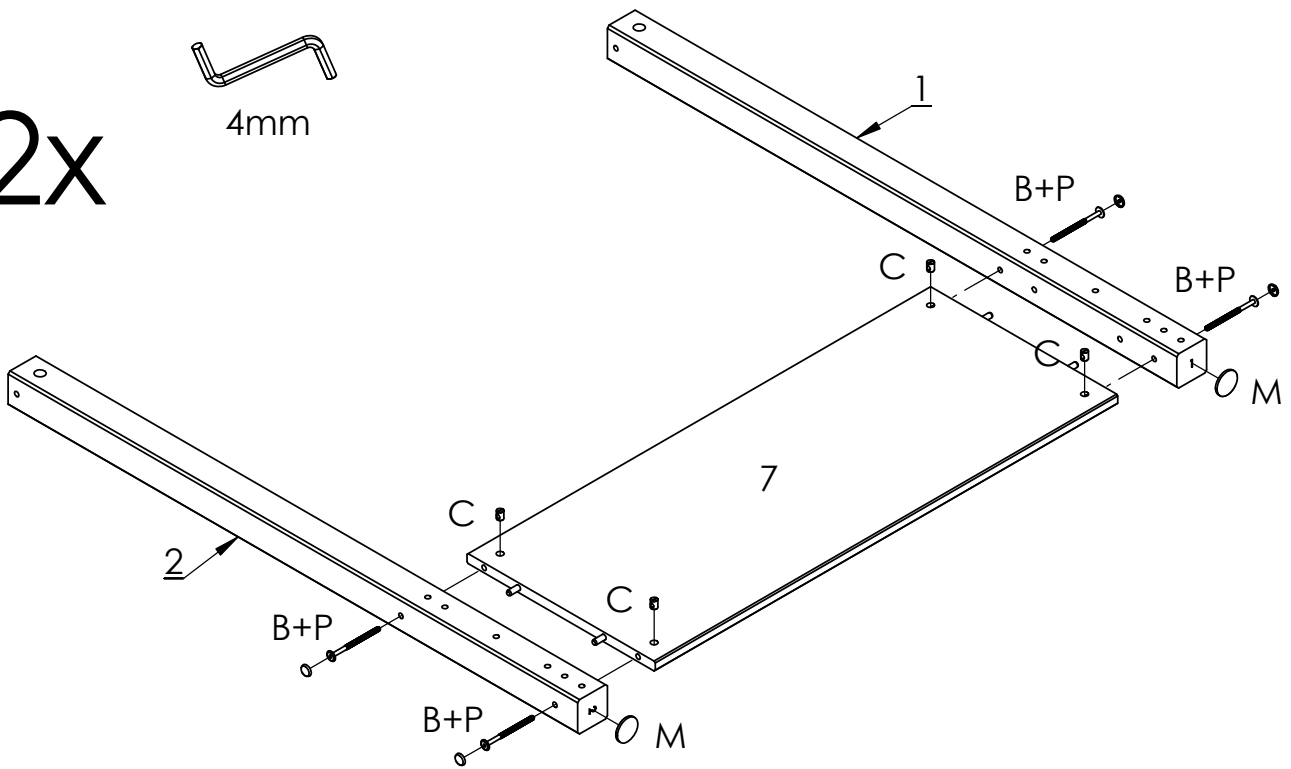
A		8x40	x32
---	--	------	-----



②


2x



4mm

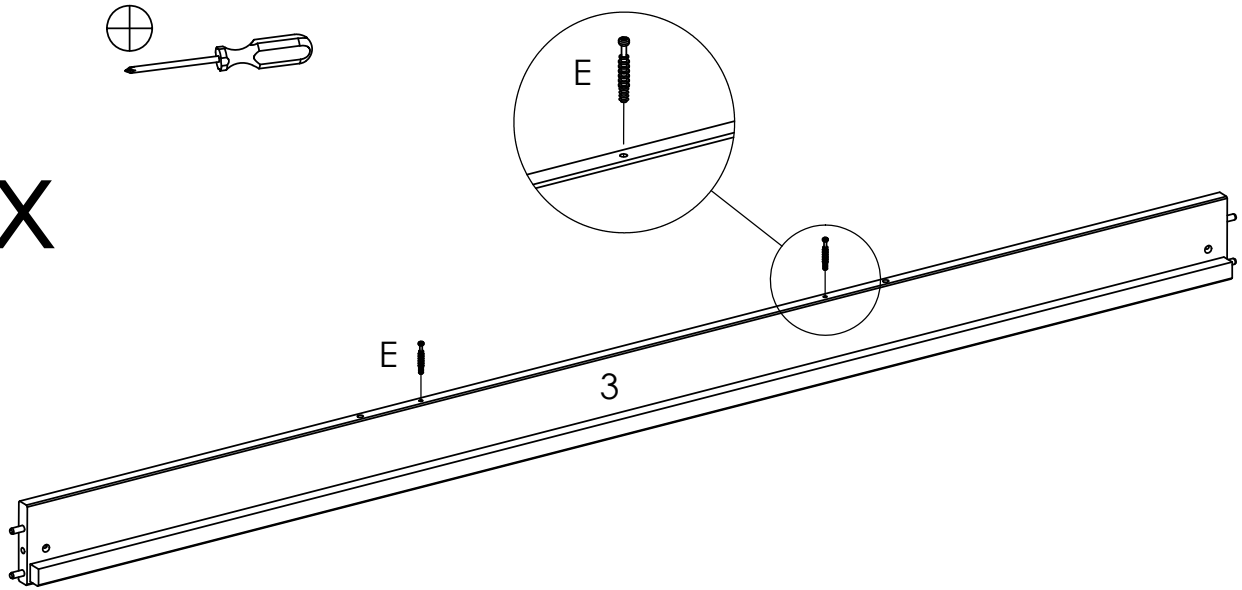


B		M6x90	x8
C		M6x10x13	x8

P		D15x18	x8
M		38x3	x4

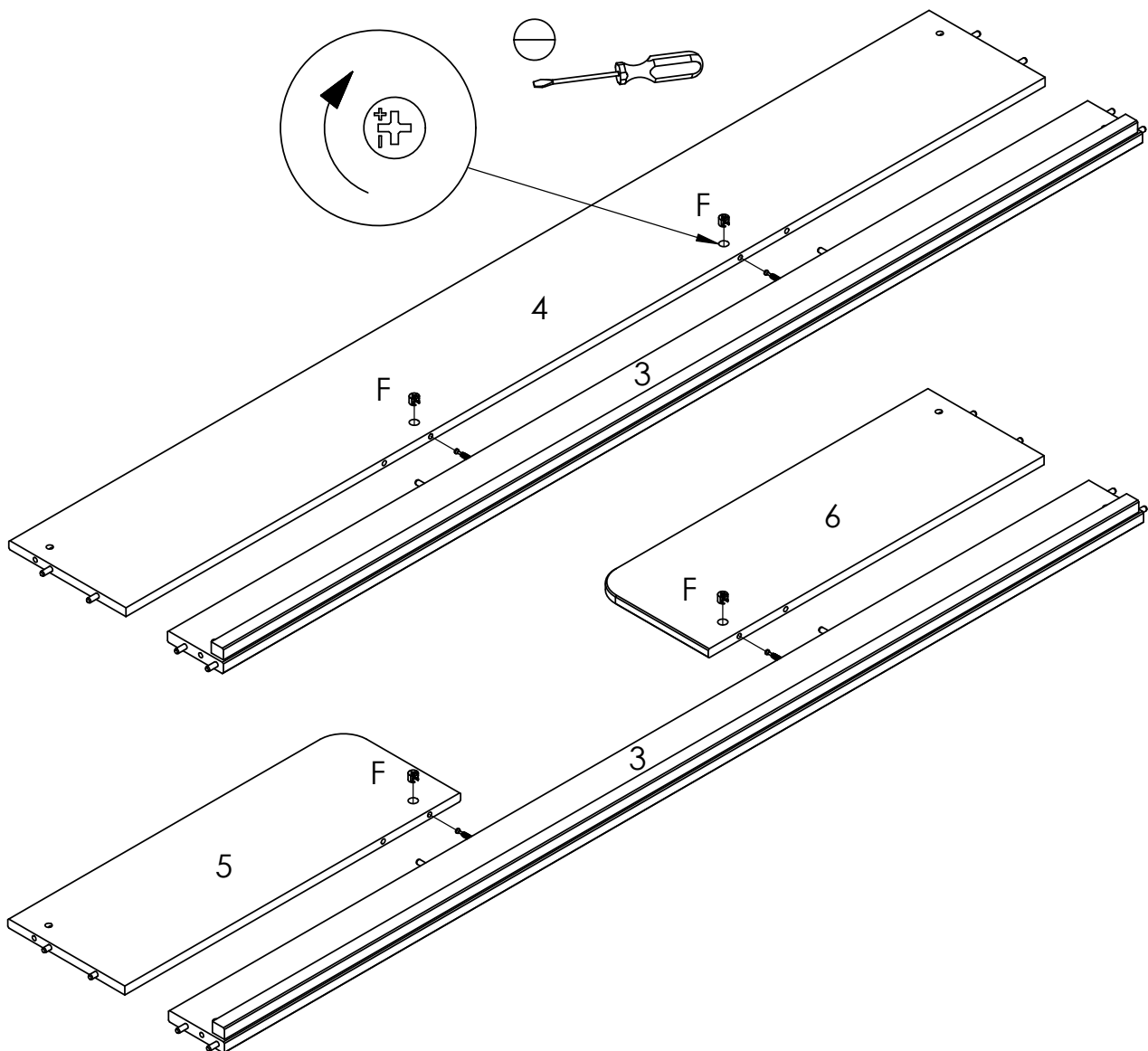
③

2x



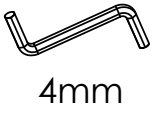
E		7x34	x4
---	--	------	----

④

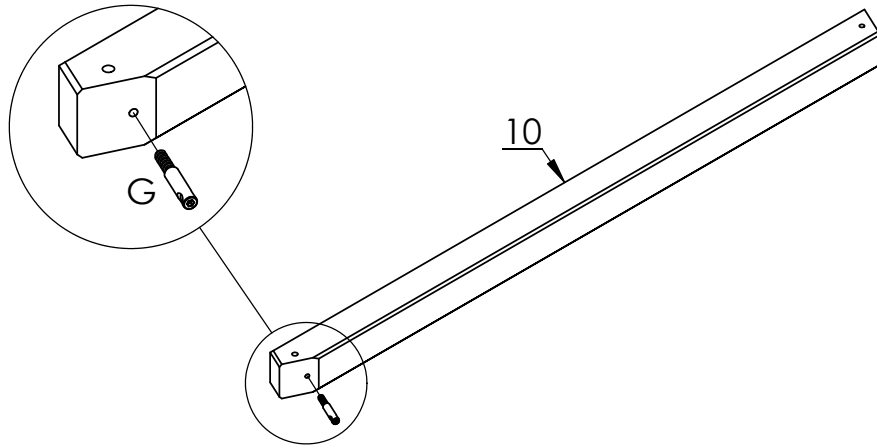


F		15x12	x4
---	---	-------	----

6

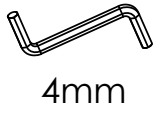


4x

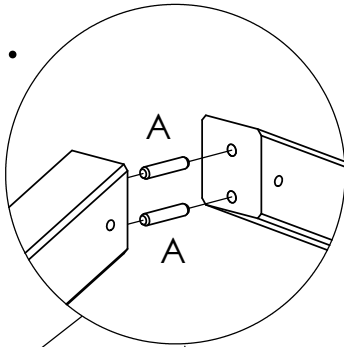


G		D9,8/60/5,8	x4
---	--	-------------	----

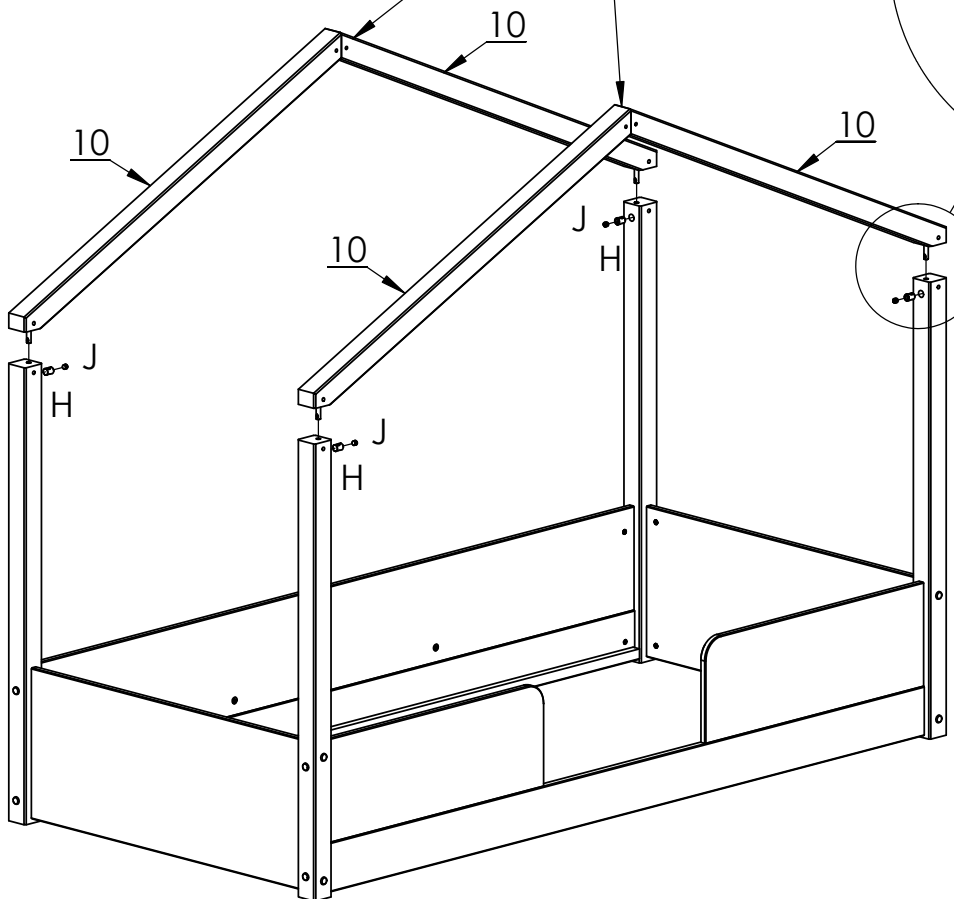
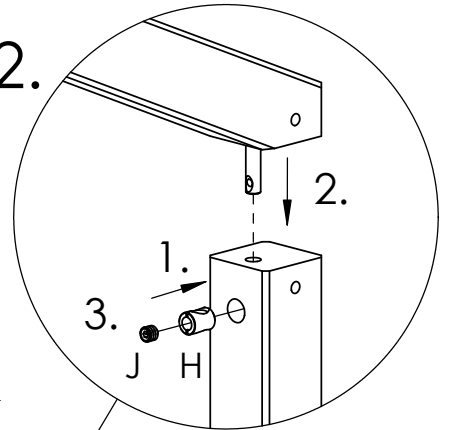
7



1.



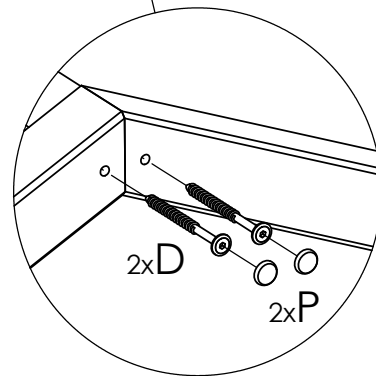
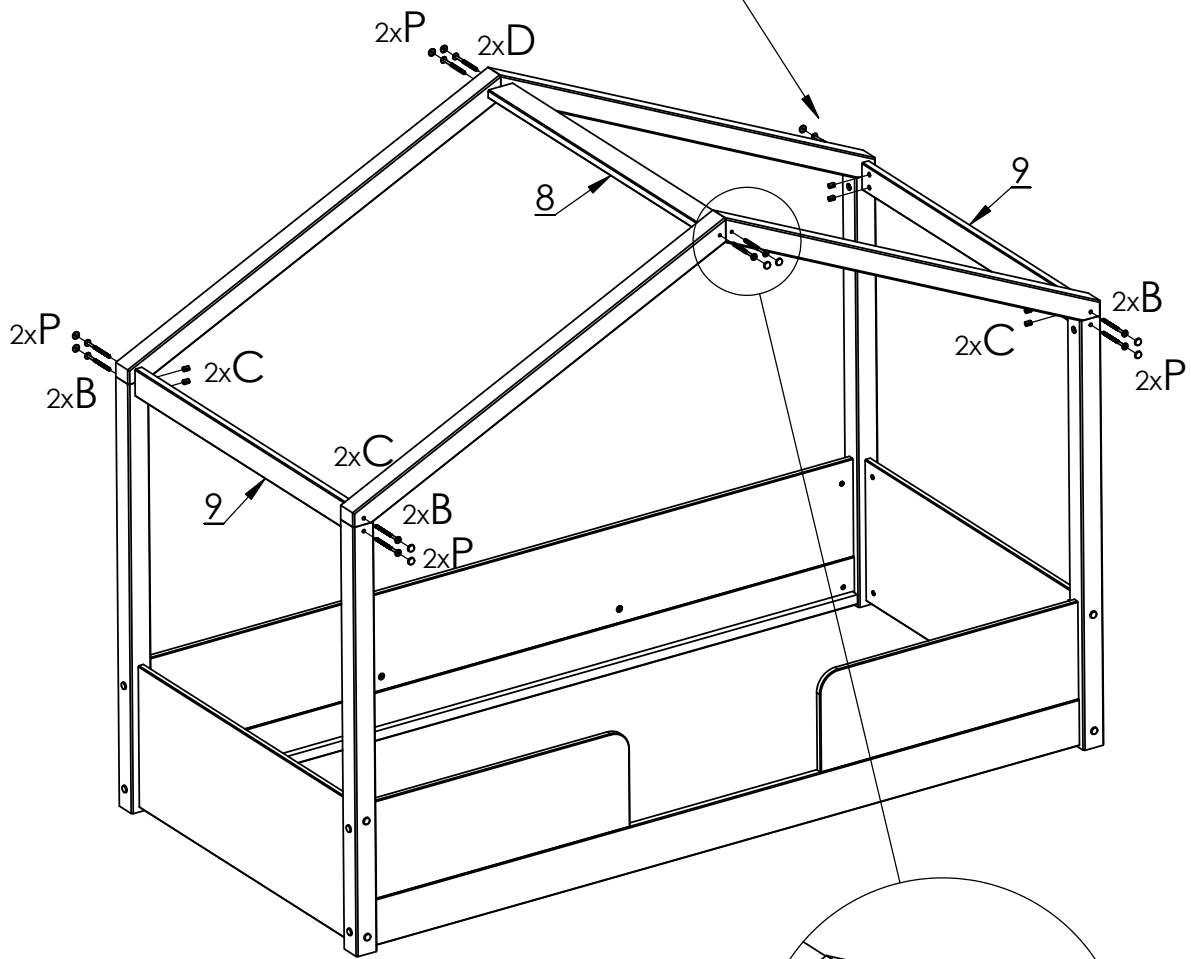
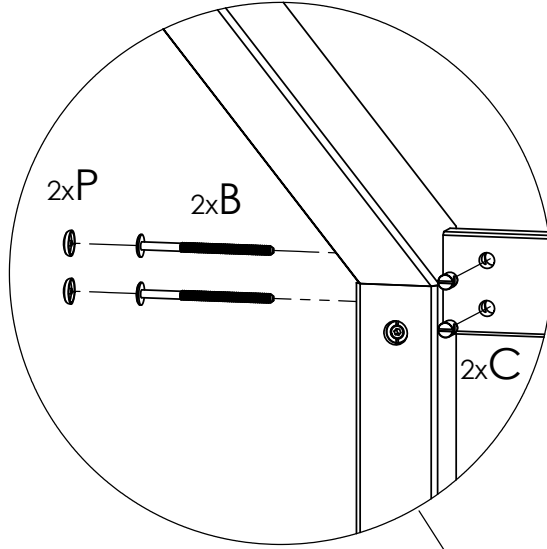
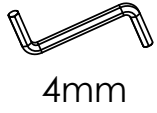
2.





A		8x40	x2
---	--	------	----

H		D15x19	x4
J		M10x12	x4

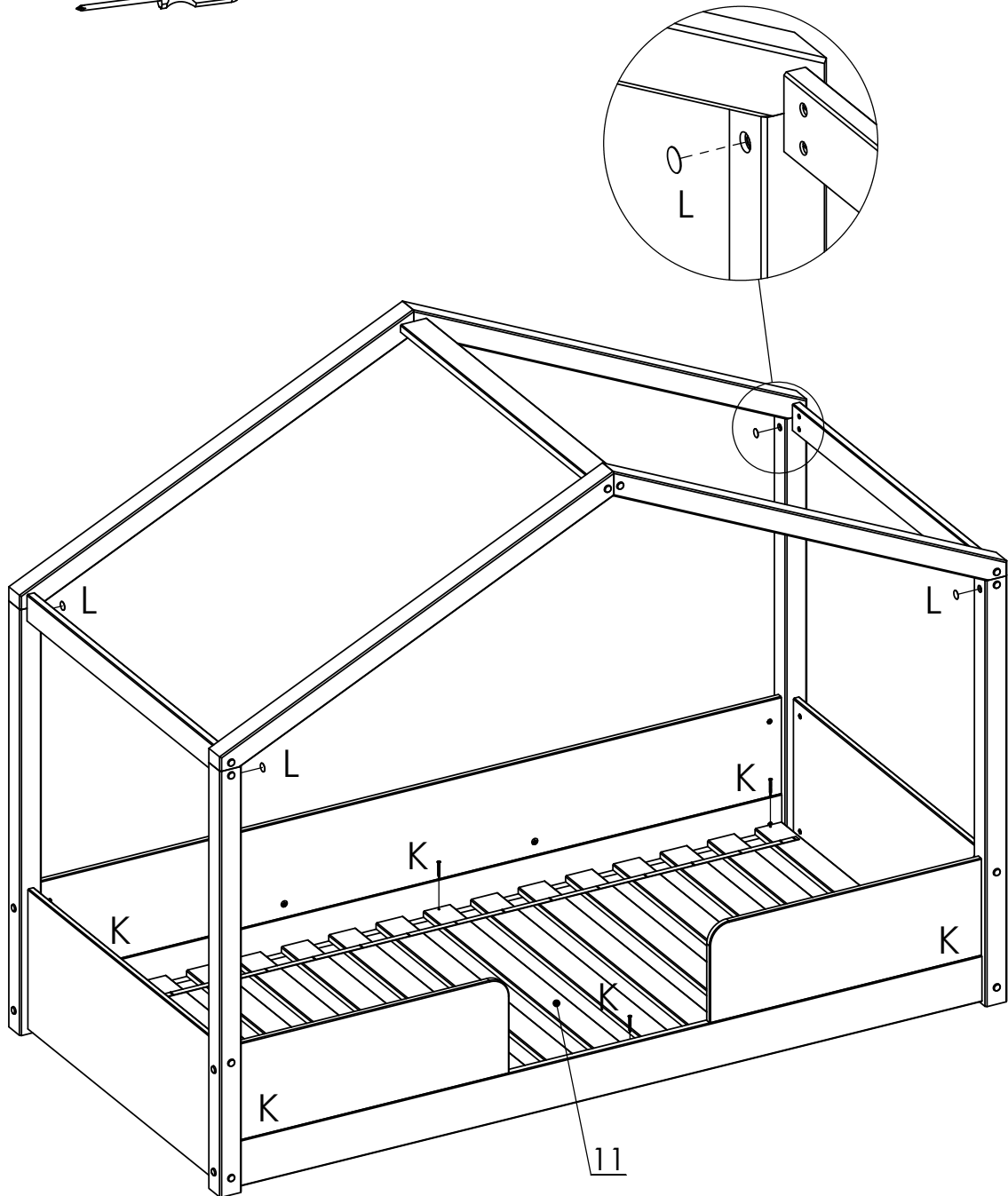
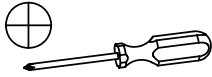
8





B		M6x90	x8
C		M6x10x13	x8

D		6,3x90	x4
P		D15x18	x12

9



K		3,5x40	x6
L		D20	x4

Important Information

Warning: This bed is not suitable for children under 4 years old.

Warning: Do not place this child's bed near heat sources, windows or other furniture.

Warning: Do not use this child's bed if any part is broken, torn or missing.

It is recommended that you always follow the manufacturer's instructions to assemble this product. It is also recommended that periodically that all fixings are checked and tightened if required.

IMPORTANT! KEEP ASSEMBLY INSTRUCTIONS FOR FUTURE REFERENCE

This product is intended for use by children over 4 years old.

This bed conforms to BS8509:2008+A1:2011

This Playhouse Single Bed is distributed by Kids-Avenue, BD17 7AD.

Replacement parts are available through Kids Avenue at an additional cost.

Children are likely to play, bounce, jump and climb on beds, therefore the child's bed should not be placed too close to other furniture or windows, blind cords, curtain pulls or other strings or cords and should be placed either tight to the wall or have a gap of 300mm between the wall and the side of the bed.

Recommended Mattress size: 190*90 (UK single) with a depth no more than 23cms.

General Care: Wipe clean with a slightly damp soft cloth. Avoid using all household cleaners and abrasives.

When moving your furniture, carefully lift into place.

Never drag or push across the floor as this will cause damage to the joints and could result in failure to the product that will invalidate the warranty.