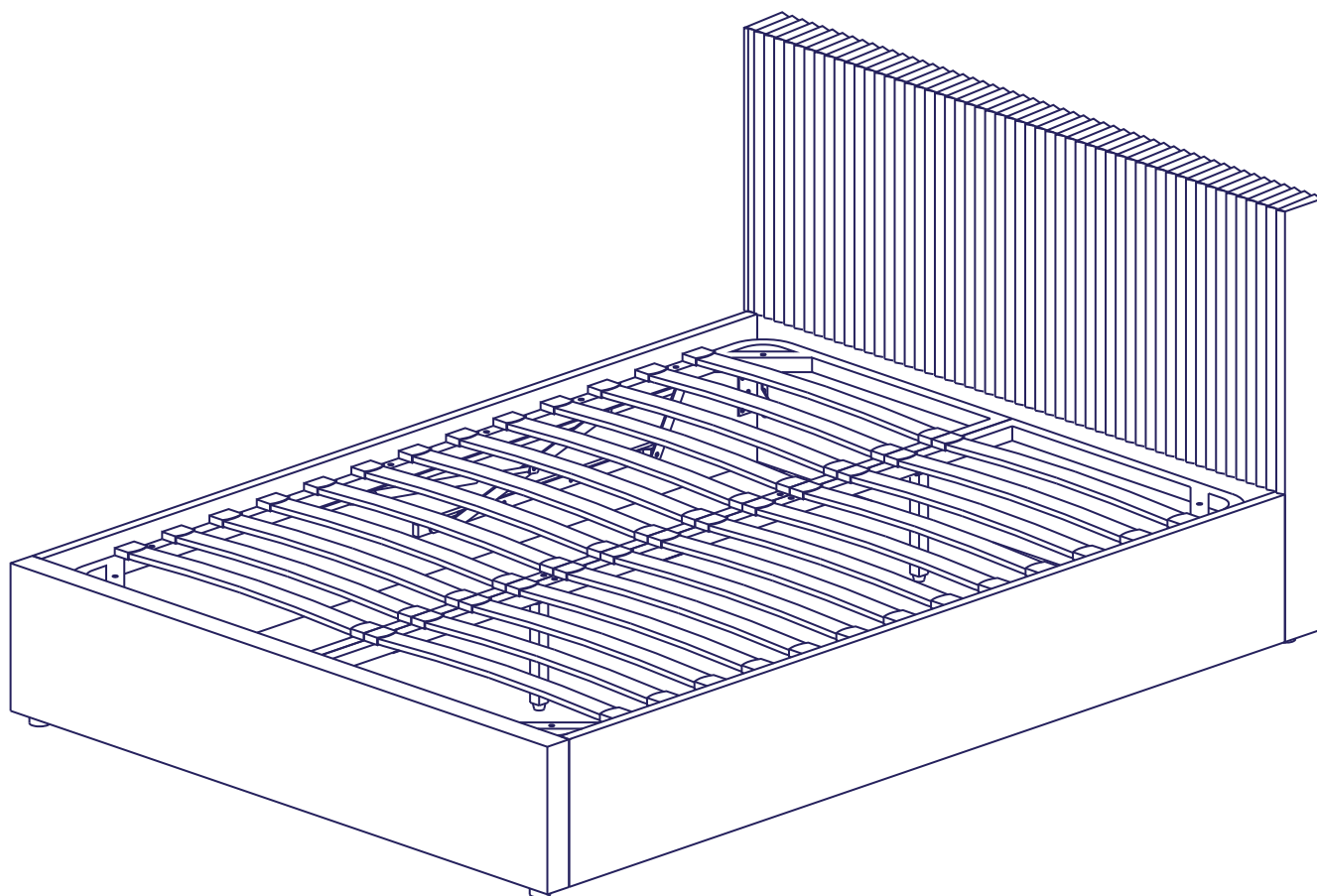


Louanna Ottoman Double



1/2 hour approx
assembly time



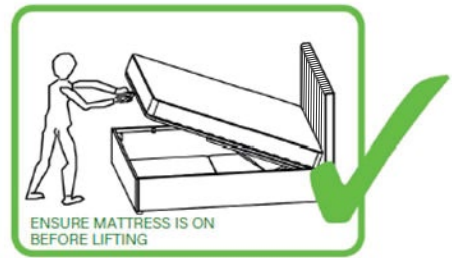
Two person
assembly

Dreams

Love your bed

Important Ottoman Safety Warnings

- IMPORTANT – READ CAREFULLY – RETAIN FOR FUTURE REFERENCE
- Ensure the combined bedding and mattress weight is within the recommended weight guidance
- Adult Operation Only: Not recommend for use by under 12 years old.
Please note ease of operation is dependent on height and strength of user.
- Avoid Entrapment: Always lift the bed with the mattress in place, using the handle to lift and lower the base, keeping clear of the mechanism.



- Fully Open Ottoman: Ensure the ottoman is fully open before accessing the storage area.
- Avoid Hinge Area: Do not reach into the storage area through the hinge mechanism.
- Keep Children and Pets Away: Ensure children and pets stay away from the storage area. Do not stand inside the internal storage area of the bed.
- Maintenance - Regularly inspect your bed to ensure it is functioning correctly.

Recommended mattress weight for safe operation



Bed	Bed Size	Min (kg)	Max (kg)
Louanna	Single	10	25
	Double	15	35

Thank you

Hello, thanks for choosing to purchase your bed from our company- you're now on your way to creating a practical and stylish solution for your room. Before you begin building your bed, please take a moment to read through the instructions and make sure that you've got all the relevant parts listed on the following pages.



Assembly tips

Before you begin, it's best to identify all parts and fittings to build your bed. We advise laying these out on the floor to check you have everything, and familiarising yourself before building.



Top tip

We recommend that you build your new bed in the room you'd like it to be located - this will help prevent any risk of damage to your newly built sofa bed whilst moving it.



Safety and care

It's really important to ensure children and animals are kept away from the assembly area, as there are small components used in this bed which could present a choking hazard. All plastic and wrapping materials should also be kept away from children and animals to prevent any risk of suffocation. To keep your little ones busy, there is a colouring page inside the back cover.



Help and support

At Dreams, it's our mission to give the whole nation a great night's sleep - this means that the quality of our products is of utmost importance to us. If there are any issues with your product or any missing parts, please contact our Help Centre on 0800 652 6750, where a member of our team will be happy to help. (For customers based in Northern Ireland, please call 028 9050 8300)



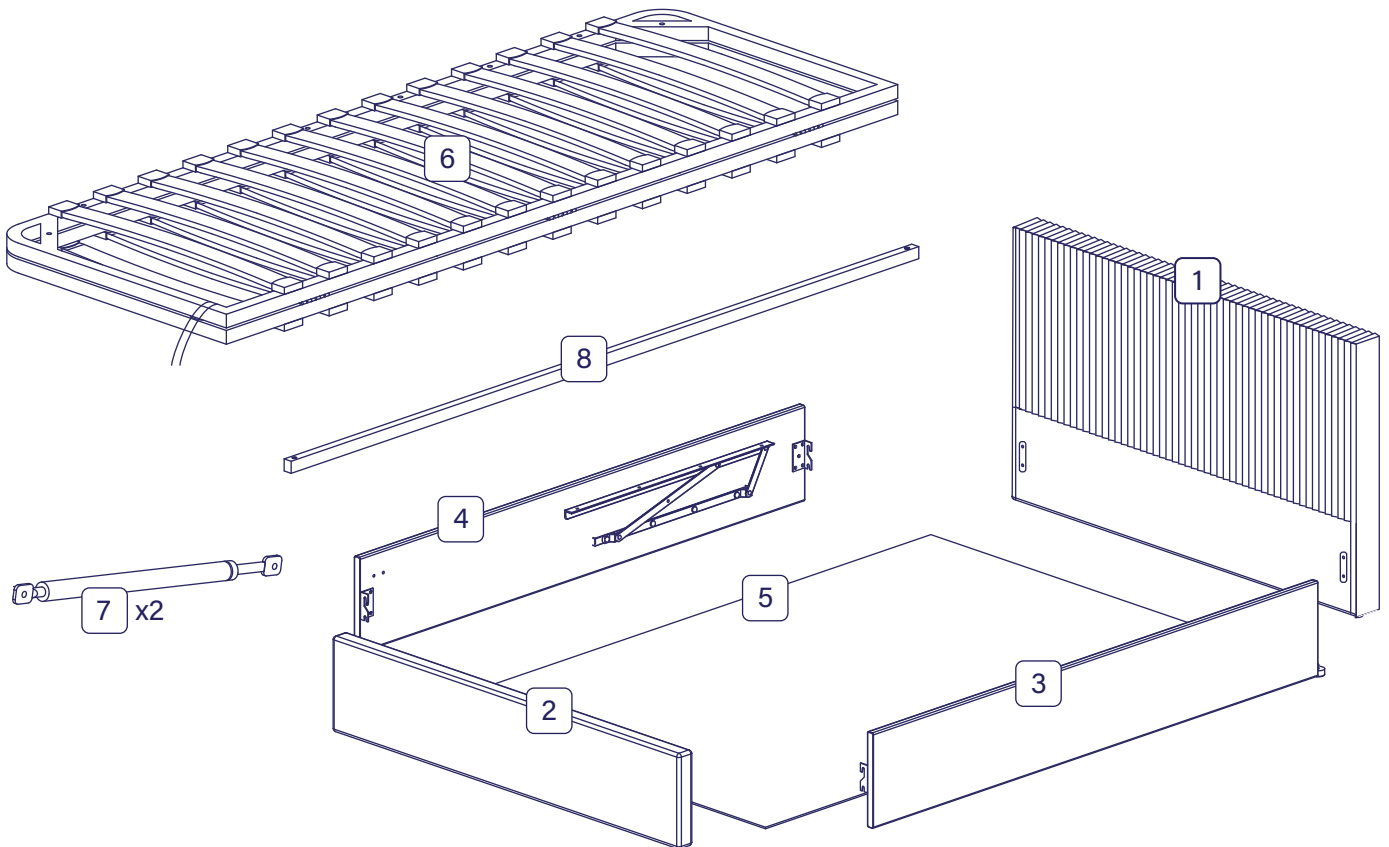
Recycling

Please ensure that packaging is disposed of in a safe and environmentally friendly way, and recycle where possible. Our assembly instructions are printed on recycled paper. Please keep your assembly instructions safe to refer back to in the future.

Parts



Before assembly the bed, please open the zipper at the back of headboard and find footboard (2),bottom cover (5) here.



Parts list

- | | | | |
|----|-------------------------------|----|----------------------------------|
| 1. | Headboard x 1 pc (Box 1) | 5. | Fabric base x 1 pc (Box 1) |
| 2. | Footboard x 1 pc (Box 1) | 6. | Metal slats frame x 1 pc (Box 3) |
| 3. | Left siderail x 1 pc (Box 2) | 7. | Gas piston x 2 pcs (Box 2) |
| 4. | Right siderail x 1 pc (Box 2) | 8. | Support bar x 1 pc (Box 3) |

Assembly

Fittings (Box 3)

Please check you have all the parts listed below with your product:

(A) x1



Spanner (M8)

(B) x16



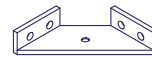
Bolt (M8 x 20mm)

(C) x2



Allen Key

(D) x2



Corner Bracket

(E) x18



Bolt (M8 x 45mm)

(F) x34



Flat Washer

(G) x4



Nut (M8)

(H) x16



Nut (M8)

(J) x2



Centre support leg

(K) x2



Sleeve Nut (M8)



Tools required

Please check you have all these below:



Tape measure



Scissors

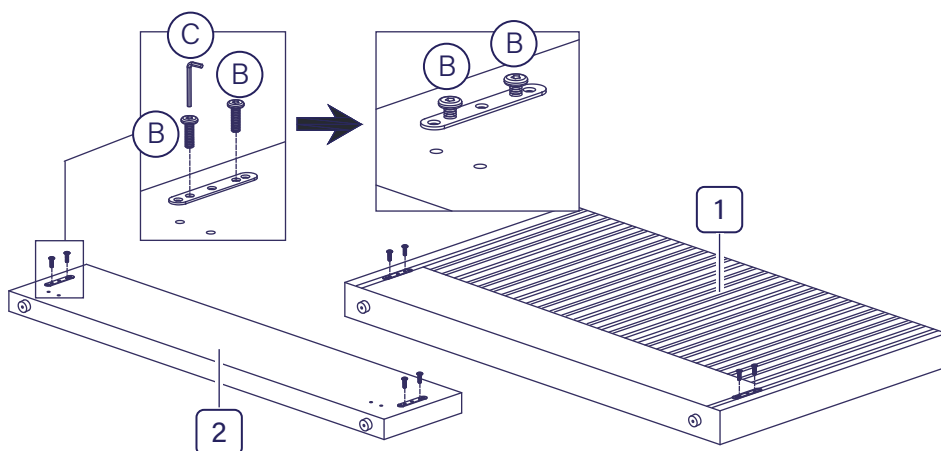
Assembly

1

BED FRAME ASSEMBLING

Loosely insert bolts (B) into each side of headboard (1) and footboard (2) with Allen Key (C).

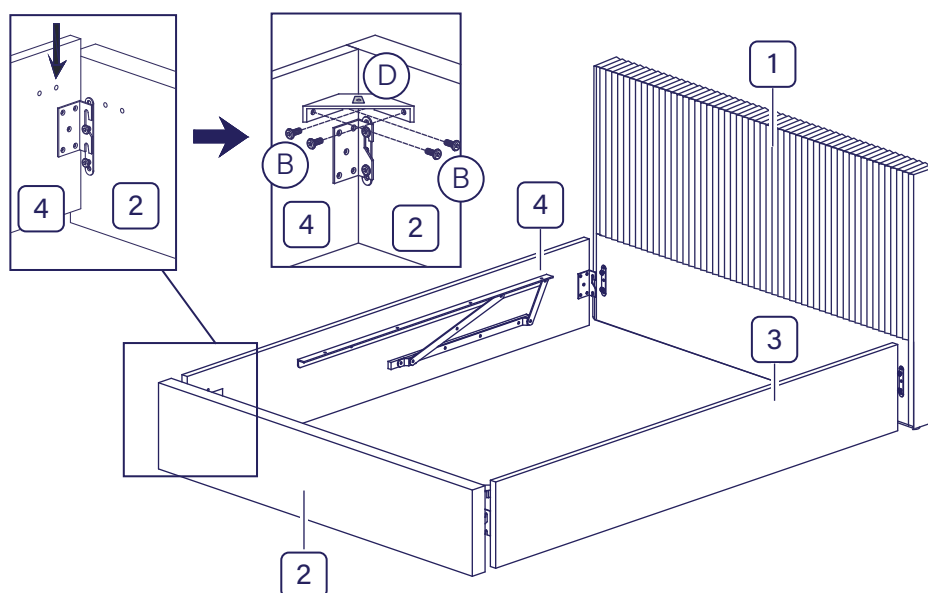
Note: Do not tighten fully but leave 10mm protruding.



2

Attach the side rails (3), (4) to the headboard and footboard. Make certain the bed is squared up, then tighten all bolts fully.

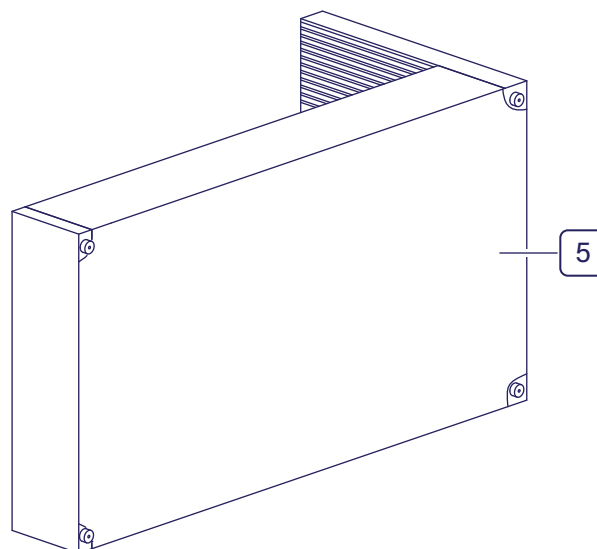
Attach the corner brackets (D) to the side rails and footboard with Bolts (B) and the Allen Key. Stick the black soft mat on the corner brackets.



3

Turn the bed on its side and attach the fabric base (5) to the bottom of the side rails, headboard and footboard.

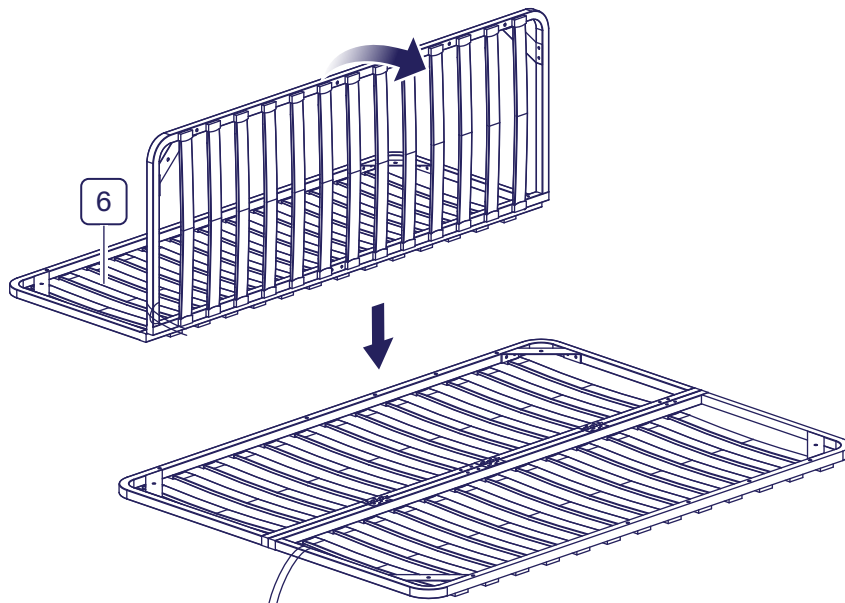
Note: Make sure the fabric is fixed evenly all around.



Assembly

4

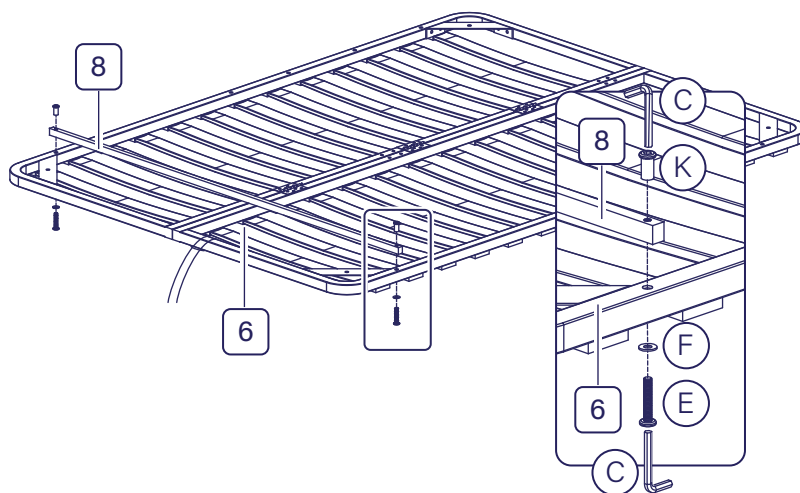
Unfold the metal slats frame (6).



5

Affix the support bar (8) to the metal slats frame with bolts (E), flat washers (F), sleeve nuts (K).

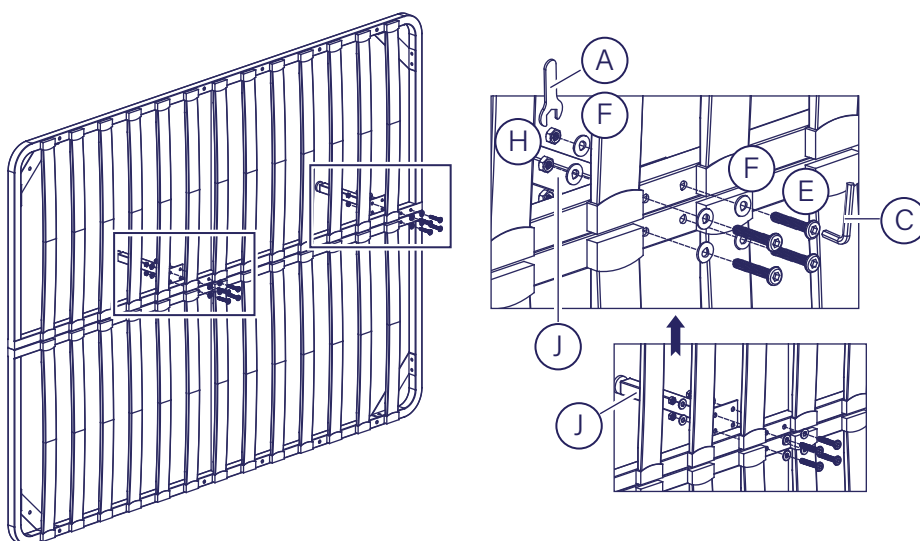
Tighten the bolts & sleeve nuts using two allen keys.



6

Attached the centre support legs (J) into the underneath of metal slats frame with bolts (E), flat washers (F), nuts (H).

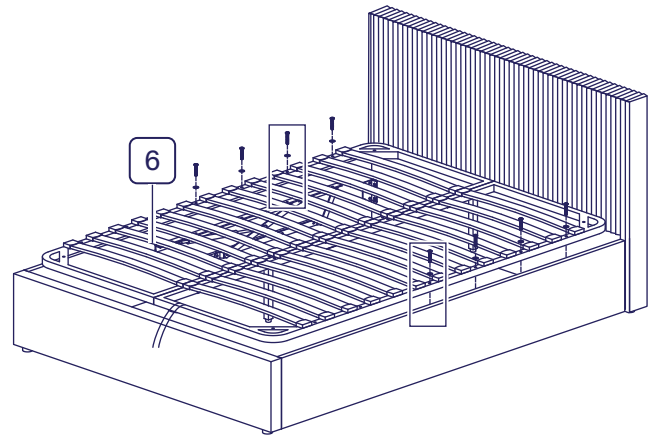
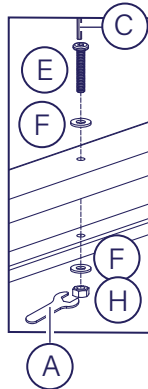
Tighten the bolts, nuts using the spanner (A) and allen key (C).



Assembly

7

Put the metal slats frame (6) on the lift mechanism, use four sets of bolts (E), flat washers (F) and nuts (H) to loosely fit the slat frame to the first four holes on each side of the lift nearest to the headboard, finger tight.

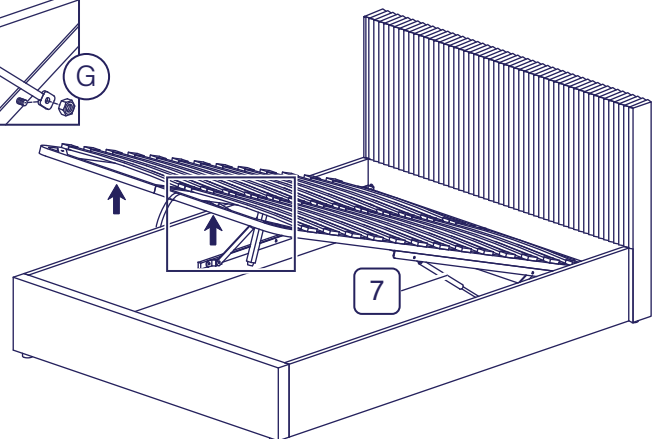
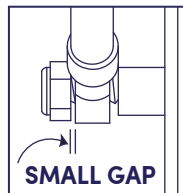
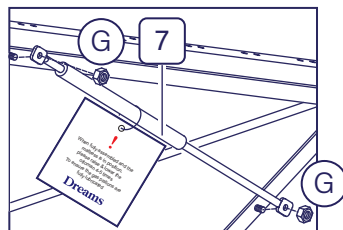


Tighten all the bolts after confirming the metal frame is in correct position. Frame must be in the center of bed in length & width.

8

Lift up the slats frame, use the locking nut (G) to fit the pistons (7) to the lift mechanism.

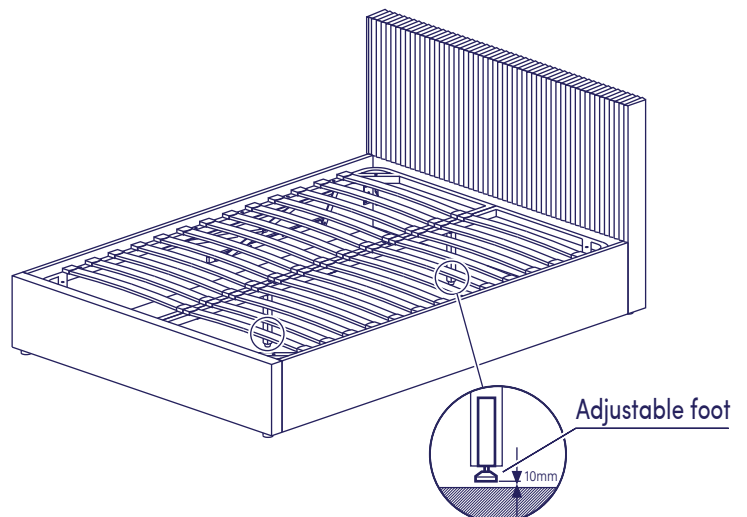
Note: A small gap is left so stem can move freely. This is normal, See the sketch.



Lift up the slats frame by one person with two hands. Another one assemble the gas lift with nuts. Don't over tighten, a small gap is left so stem can move freely.

9

NOTE: When fully assembled and the mattress is in position, please raise and lower the ottoman 4-5 times. To ensure the gas pistons are fully lubricated.



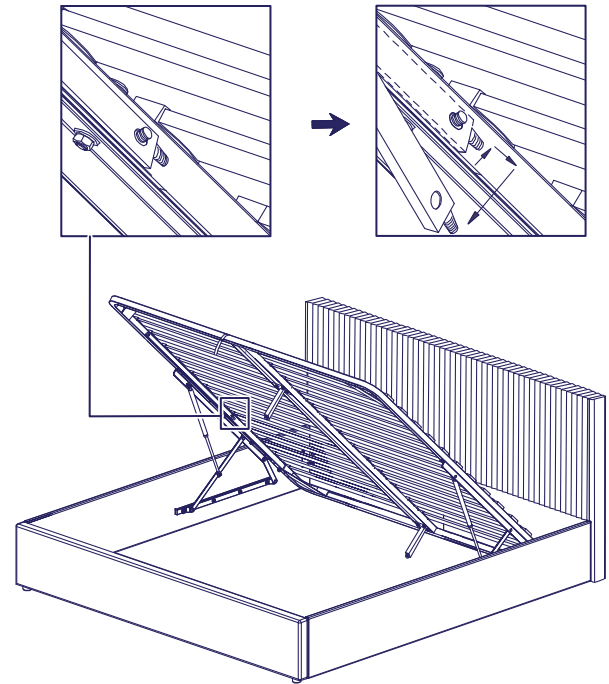
How to use Ottoman Support Bar

1

Before accessing the ottoman storage area, always ensure the ottoman support bar is engaged.

When engaging the ottoman support bar, ensure the slat frame/ platform base is raised to the maximum opening extension point i.e. the uppermost height.

Locate the support bar from the inside of slat frame / platform base.

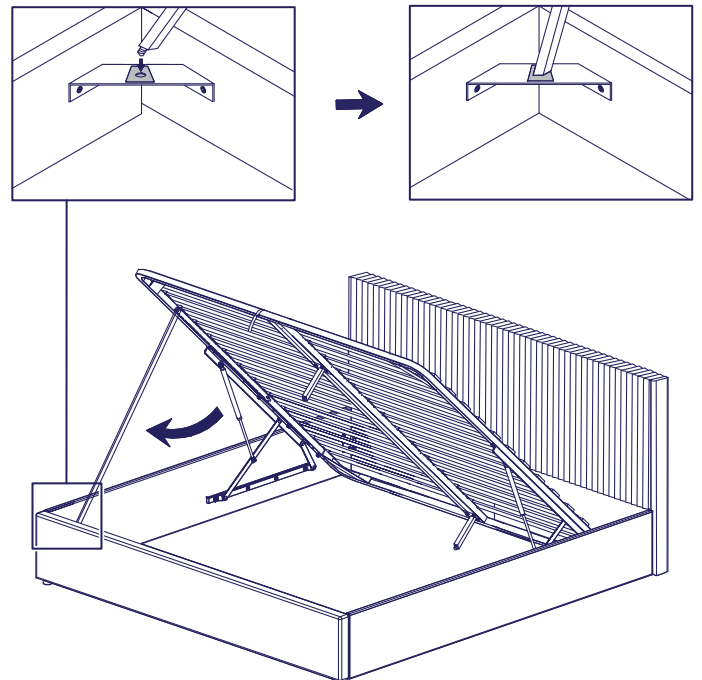


2

Put the support bar into the bracket fixed to the bed frame fully.

When you are ready to close the ottoman, carefully locate the support bar and lift it upwards out of the bed frame bracket and guide it back to inside of the slat frame and secure it.

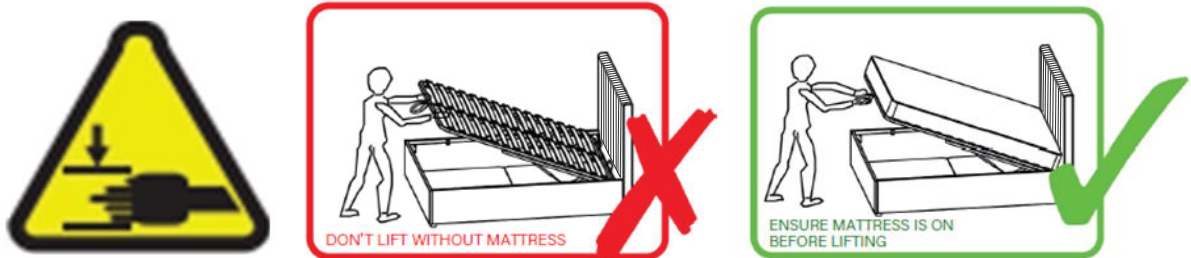
Slowly close the ottoman slat frame / platform base using the handle provided.



- Recommended mattress weights - do not exceed the maximum relevant weight specified on the Assembly Instruction.
- Ottoman support bar - always engage the support bar when accessing the ottoman storage area.
- Read all instructions provided before using your Ottoman bedframe. Please save and retain the instructions for future reference.

Warnings

- **IMPORTANT – READ CAREFULLY – RETAIN FOR FUTURE REFERENCE**
- Ensure the combined bedding and mattress weight is within the recommended weight guidance
- **Adult Operation Only:** Not recommend for use by under 12 years old.
Please note ease of operation is dependent on height and strength of user.
- **Avoid Entrapment:** Always lift the bed with the mattress in place, using the handle to lift and lower the base, keeping clear of the mechanism.



- **Fully Open Ottoman:** Ensure the ottoman is fully open before accessing the storage area.
- **Avoid Hinge Area:** Do not reach into the storage area through the hinge mechanism.
- **Keep Children and Pets Away:** Ensure children and pets stay away from the storage area. Do not stand inside the internal storage area of the bed.
- **Maintenance -** Regularly inspect your bed to ensure it is functioning correctly.

Recommended mattress weight for safe operation



Bed	Bed Size	Min (kg)	Max (kg)
Louanna	Single	10	25
	Double	15	35

Care and maintenance

Here are some tips to keep your new bed in tip-top condition



Cleaning

To clean your new bed, we'd advise using a warm damp cloth - please do not use abrasive chemicals or bleach as this may damage the product.



Checking and moving

Periodically we recommend you check that the screws or fixtures haven't become loose, over time. To move your new bed, we recommend lifting it where possible, as dragging or pushing it could cause damage to your flooring.



Wood

Please note each of our wooden pieces are unique, meaning that markings and shade can vary slightly between beds. Over a period of time, the wood might lighten or fade slightly due to light exposure.



Fabric

Please note depending on the lighting, positioning and surroundings of your room, the shade of the colour can sometimes appear slightly different. Over a period of time, the colour might lighten or fade slightly due to light exposure.



Metal

Metal tends to be more resilient to everyday wear and tear. We recommend to gently dust your metal furniture and keep it dry to maintain its look.

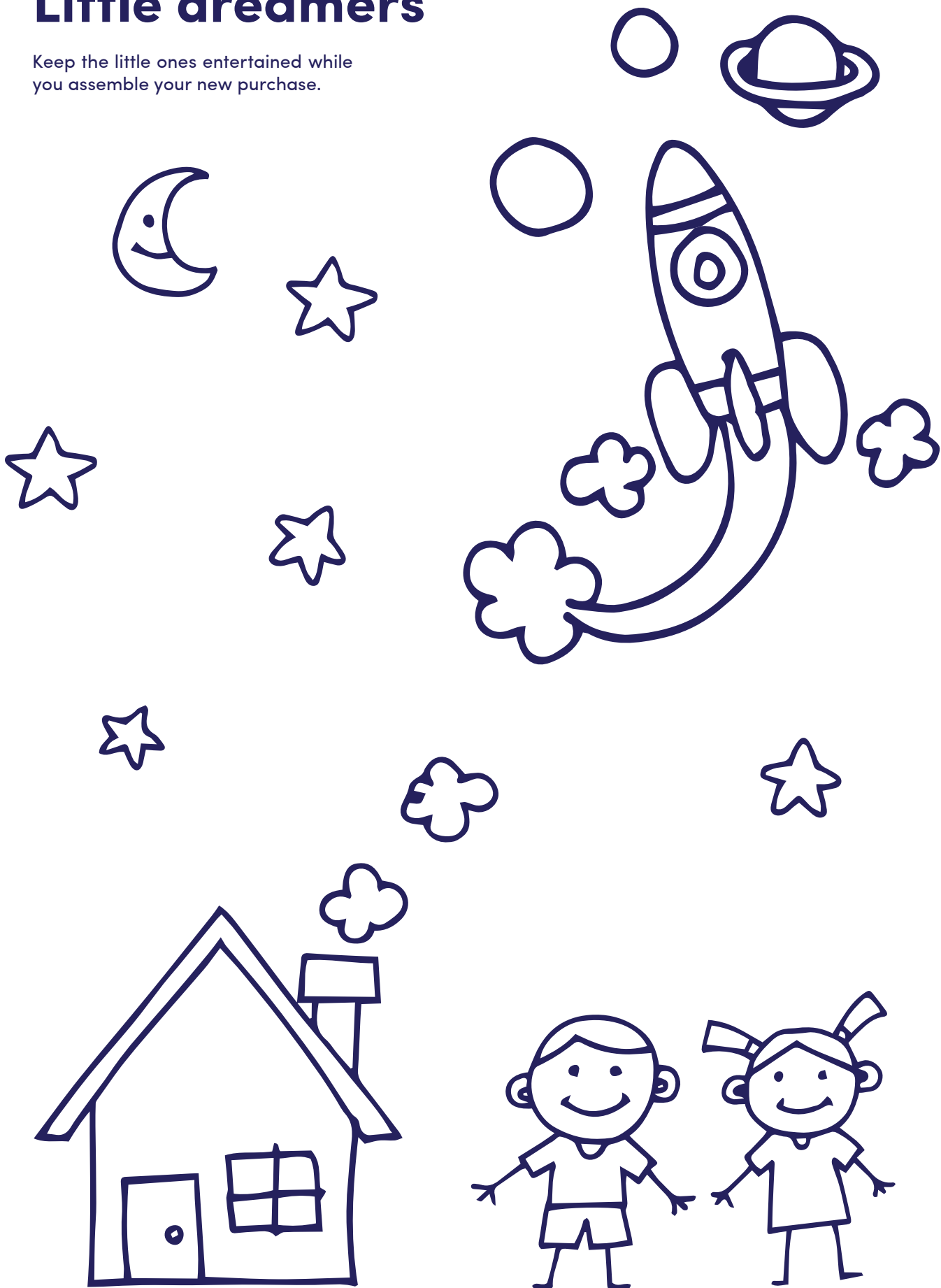
Thank you for shopping with us - we hope you have a great night's sleep

Sleep well



Little dreamers

Keep the little ones entertained while you assemble your new purchase.



Dreams

Love your bed

PRODUCED IN CHINA FOR:

Dreams Limited | Knaves Beech | High Wycombe | HP10 9YU
www.dreams.co.uk

Hometime Retail Limited | 6-16 Duncrue Crescent | Belfast | Antrim | BT3 9BW
www.dreams.ie