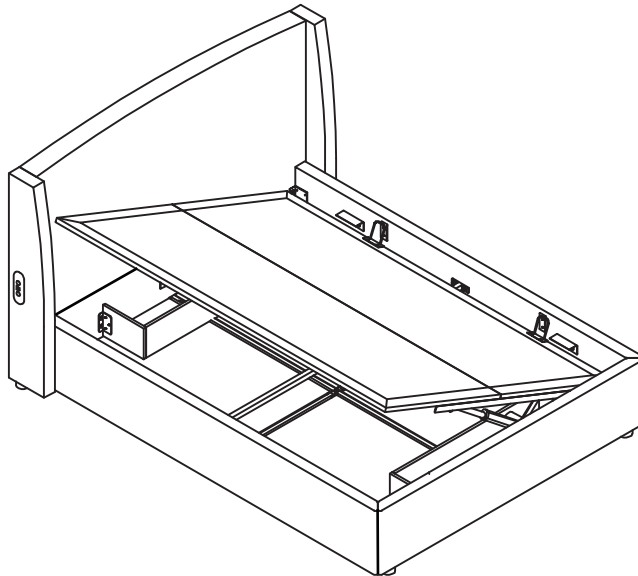


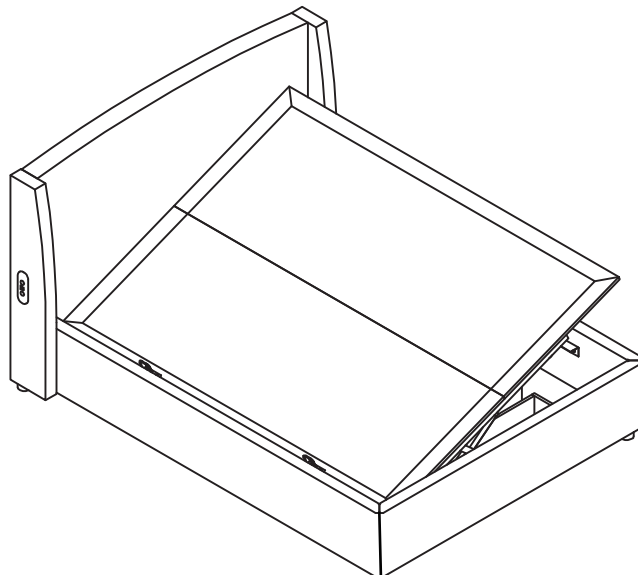
Linford Electric Ottoman Bed

Double
King
Super King

Open from the left



Open from the right



1.5 hour approx
assembly time



Two person
assembly



Love your bed

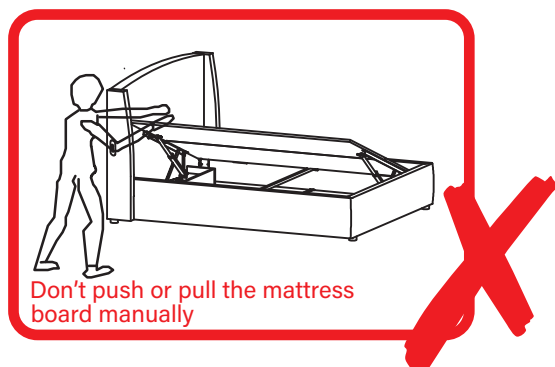
IMPORTANT OTTOMAN SAFETY WARNINGS

- **IMPORTANT-READ CAREFULLY - RETAIN FOR FUTURE REFERENCE**
- **Ensure the combine bedding and mattress weight is within the recommended weight guidance.**

Recommended weight guidance for safe operation:

Bed	Bed Size	Min Weight (kg)	Max Weight (kg)
Linford Electric Ottoman Bed	Double	10	80
	King	10	80
	Super King	15	100

- **Adult Operation Only:**
Not recommended for the use by children under the age of 12 years old,
- **Avoid Entrapment:**
Always raise the electric lift right to the upper limit.
Do not put hands or body near the lifting platform.
Use the buttons only on the side being lifted.
In case of a power cut, carefully read the emergency instructions in Step 25.
Only use the operating buttons, on the side being lifted.



- **Fully Open Ottoman: Ensure the ottoman is FULLY open before accessing the storage area.**
- **Avoid Hinge Area: Do not reach into the storage area through the hinge mechanism.**
- **Keep Children and Pets Away: Ensure children and pets stay away from the storage area, Do not stand inside the internal storage area of the bed.**
- **Do not attempt to lie on the mattress when the ottoman is in the raised position.**
- **Note: The bed uses an electric motor system - please treat it with respect.**
- **Maintenance: Regularly inspect your bed to ensure it is functioning correctly.**

Thank you

Hello, thanks for choosing to purchase your bed from Dreams - you're now on your way to your best ever night's sleep. Before you begin building your bed, please take a moment to read through the instructions and make sure that you've got all the relevant parts listed on the following pages.



Assembly tips

Before you begin, it's best to identify all parts and fittings to build your bed. We advise laying these out on the floor to check you have everything, and familiarising yourself before building.



Top tip

We recommend that you build your new bed in the room you'd like it to be located - this will help prevent any risk of damage to your newly built bed whilst moving it.



Safety and care

It's really important to ensure children and animals are kept away from the assembly area, as there are small components used in this bed which could present a choking hazard. All plastic and wrapping materials should also be kept away from children and animals to prevent any risk of suffocation. To keep your little ones busy, there is a colouring page inside the back cover.



Help and support

At Dreams, it's our mission to give the whole nation a great night's sleep - this means that the quality of our products is of utmost importance to us. If there are any issues with your product or any missing parts, please contact our Help Centre on 0800 652 6750, where a member of our team will be happy to help. (For customers based in Northern Ireland, please call 028 9050 8300)



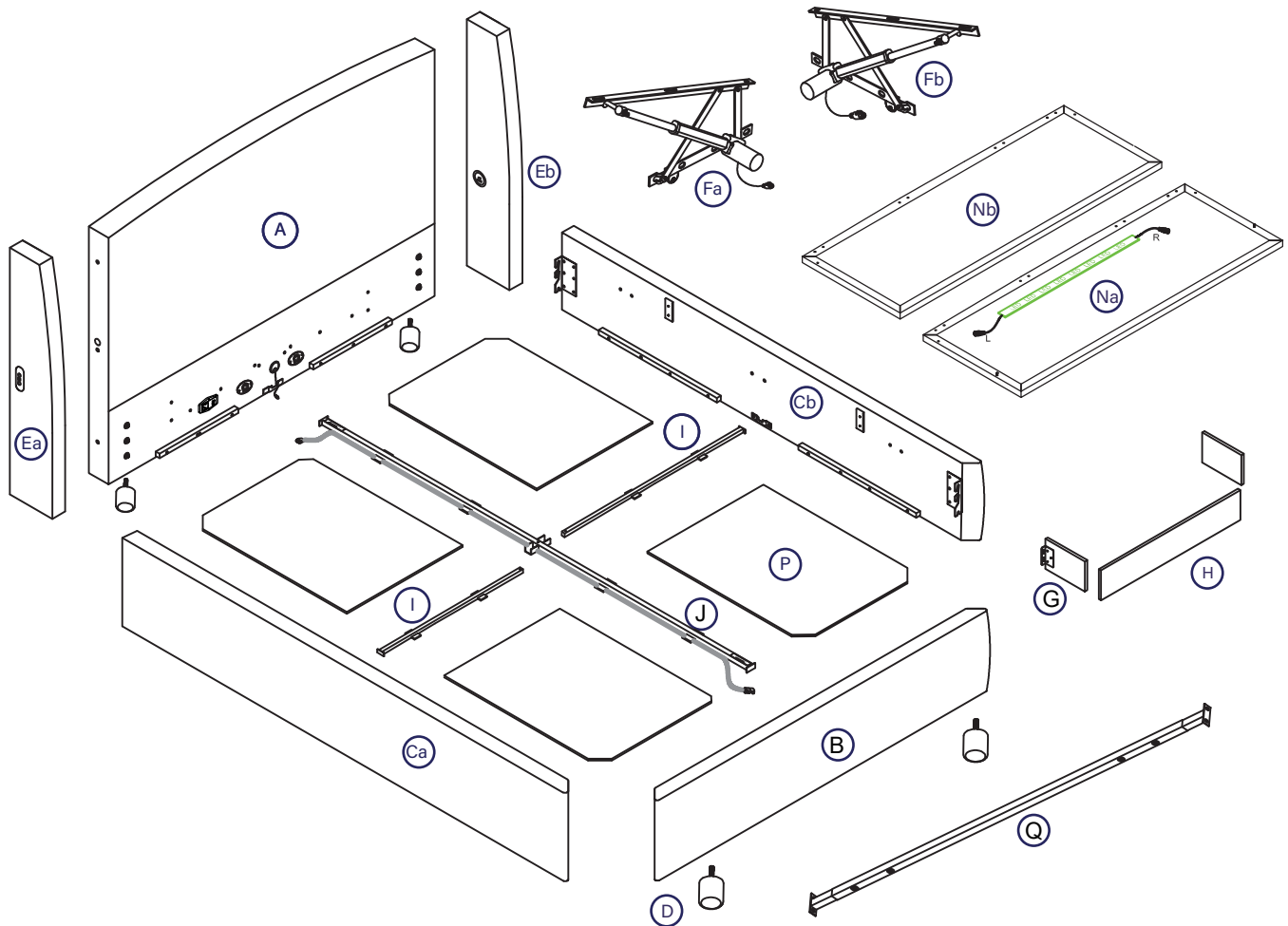
Recycling

Please ensure that packaging is disposed of in a safe and environmentally friendly way, and recycle where possible. Our assembly instructions are printed on recycled paper. Please keep your assembly instructions safe to refer back to in the future.

Parts

Important information

The bed you have purchased comes with an ottoman lift-up base operated by electric motors, please follow the instructions in the current order. To prevent accidents, carefully read the ottoman safety warnings for this bed, on page 2 of this guide.



Parts list

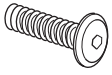


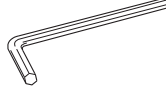

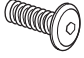

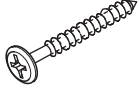
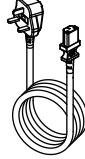


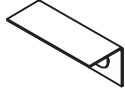
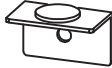
Code	Description	Qty	Pack	Code	Description	Qty	Pack
A.	Headboard	1	1	I.	Base Board Cross Bar	2	3
B.	Footboard	1	3	J.	Base Board Centre Support	1	2
Ca&Cb.	Side Rails	1 Pair	2	Na.	Mattress Base Board - Lower	1	4
D	Legs	4	5	Nb.	Mattress Base Board - Upper	1	4
Ea&Eb.	Wing L&R	1 Pair	1	P.	Storage Base Boards	4	6
Fa&Fb.	Electric Lift Mechanism	1 Pair	5	Q.	Adjustable Side Rail Cross Bar	1	2
G.	Motor Compartment Guard - Side	4	3				
H.	Motor Compartment Guard - End	2	3				

Fittings

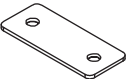

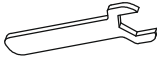

Please check you have all the parts listed below with your product.

PLEASE NOTE: There are bolts which have been pre-fitted to the headboard & footboard (A&B) that are not included below - please study Step 4 carefully.

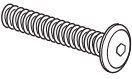


Packed in Electric Lift Mechanism carton Pack 5 - hardware pack (A)

<p>a Double & King x51 a Super King x55</p>  <p>Bolts (M8x30mm)</p>	<p>b Double & King x48 b Super King x52</p>  <p>Spring washer for M8 bolts</p>	<p>c Double & King x48 c Super King x52</p>  <p>Flat washer for M8 bolts</p>	<p>d x1</p>  <p>Allen Key for M8 bolts</p>	<p>e x4</p>  <p>Metal plates for connecting mattress boards (Na&Nb)</p>
<p>f x4</p>  <p>Bolts (M8x20mm) for fitting metal plates (e) to mattress base boards</p>	<p>g x8</p>  <p>Plastic Barrel Nuts</p>	<p>h x8</p>  <p>Screws (5x50mm) for assembling motor guard panels.</p>	<p>m x1</p>  <p>Mains Power Lead</p>	<p>n x2</p>  <p>Mattress Stopper</p>
<p>o x1</p>  <p>Adjustable Leg for Centre Support</p>	<p>S x4</p>  <p>Support Bracket</p>	<p>U x2 Super King Only</p>  <p>Base Support Bracket</p>		

Packed in Electric Lift Mechanism carton Pack 5 **Emergency Use Only**

<p>x x2</p>  <p>Metal Plate for fabric hand strap</p>	<p>y x2</p>  <p>Fabric hand strap</p>	<p>z x1</p>  <p>Spanner for M10 nuts</p>	<p>d x1</p>  <p>Allen Key for M8 bolts</p>
--	--	---	---

Packed in Headboard carton Pack 1 - hardware pack (B)

<p>i x6</p>  <p>Bolts (M8x45mm) for fixing wings to the headboard</p>	<p>b x6</p>  <p>Spring washer for M8 bolts</p>	<p>c x6</p>  <p>Flat washer for M8 bolts</p>
--	---	---

Tools Required



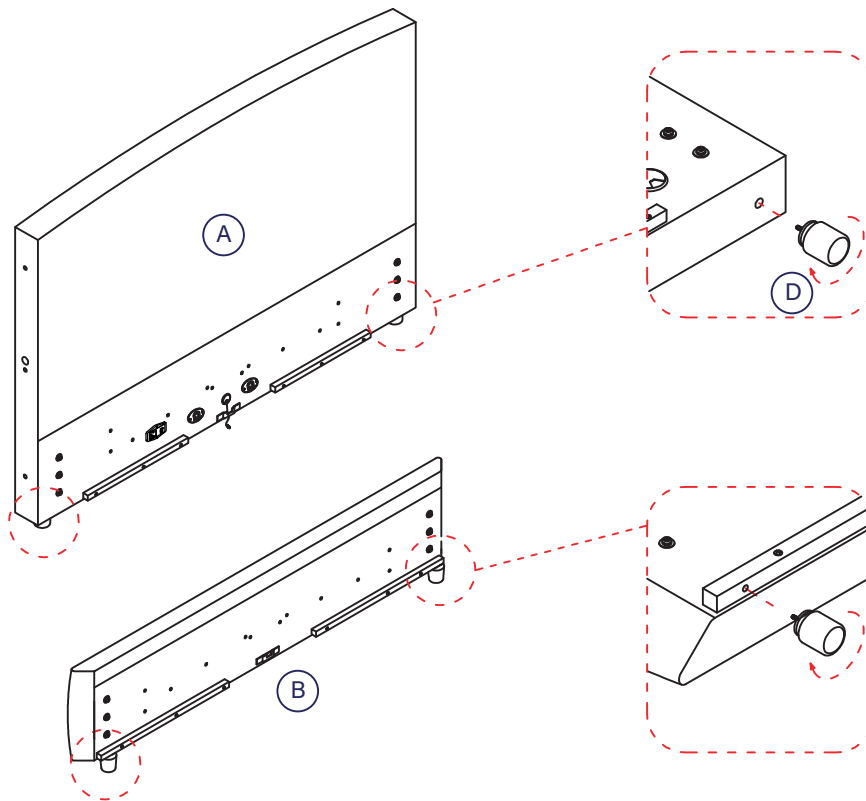
Tape measure



Cross head screwdriver

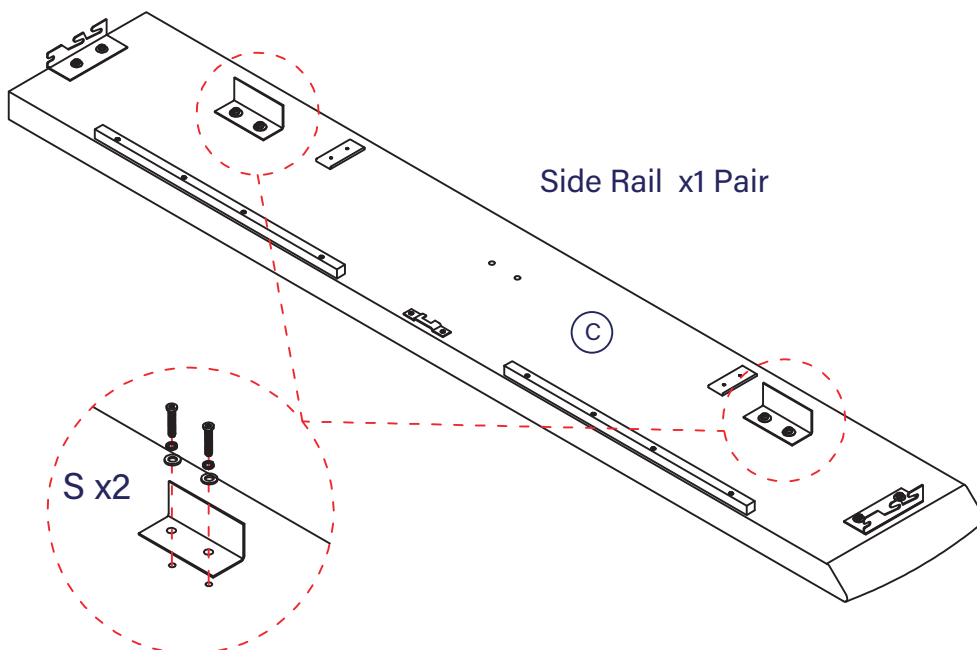
1 Fit the legs (D) to the headboard & footboard (A&B).

D  x4



2 Prepare the side rails by fitting the support brackets (S).

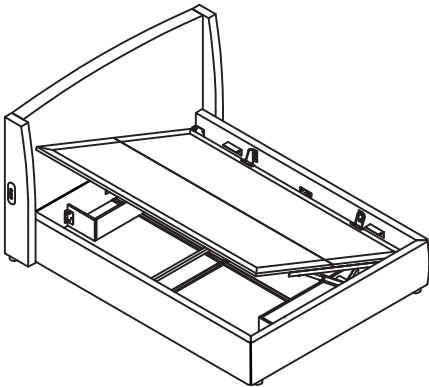
a  x8 b  x8 c  x8 d  x1



3a

Follow these instructions if you want to lift the base up from the LEFT side of the bed.

OPEN FROM LEFT



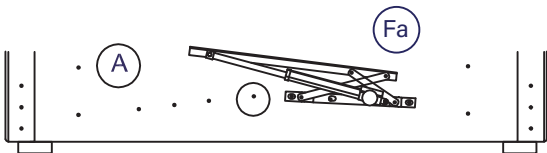
Double & King a  x8 b  x8 c  x8 d  x1



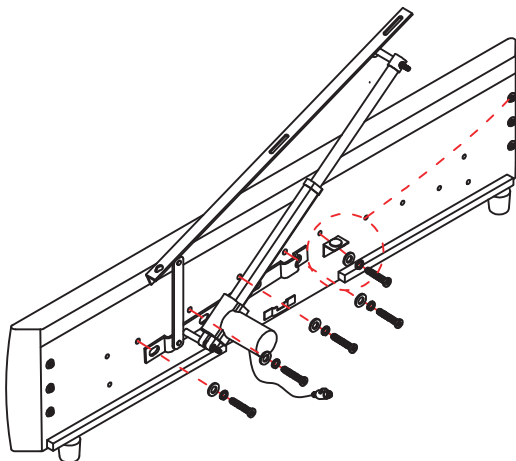
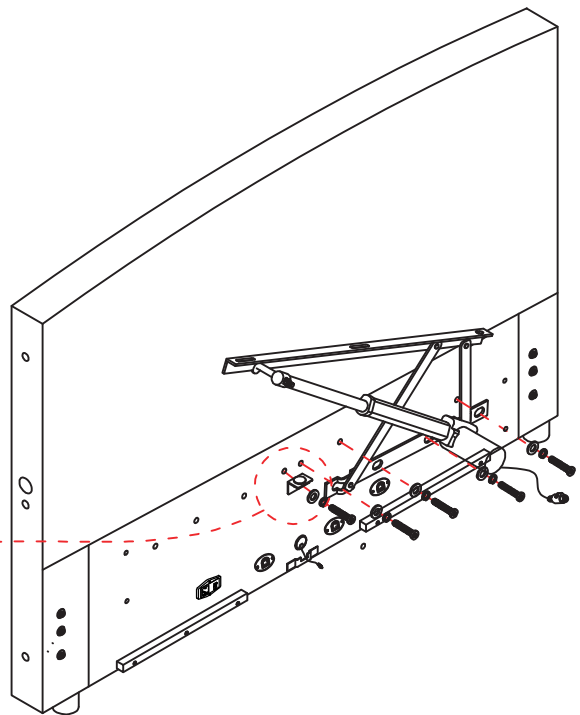
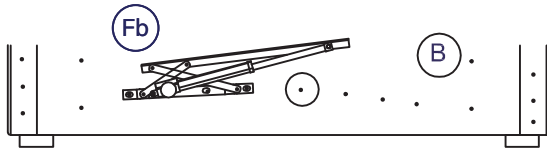
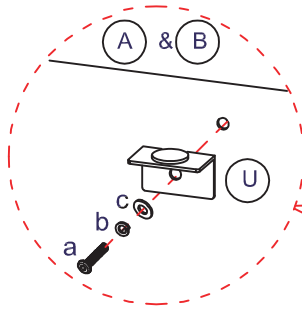
Super King a  x10 b  x10 c  x10 d  x1



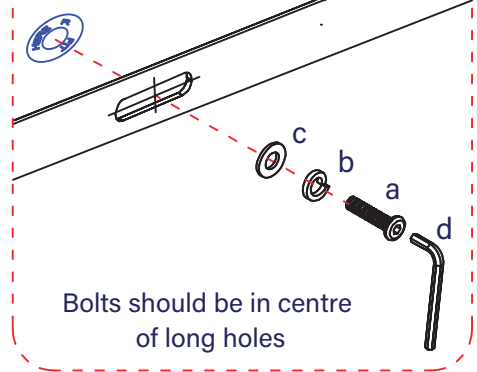
Check this diagram and if access is needed from the left side, fit both lift mechanisms to right side of the headboard & footboard. Bolt into the holes marked (R) with blue labels.



Only for Super King

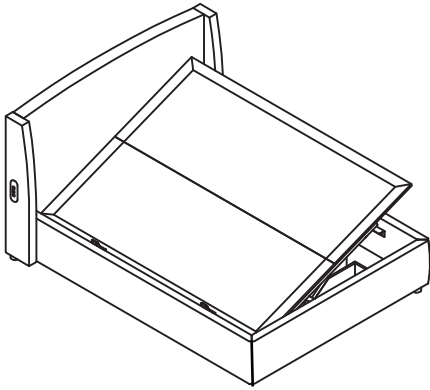


Align with the Blue labels



3b Follow these instructions if you want to lift the base up from the **RIGHT** side of the bed.

OPEN FROM RIGHT



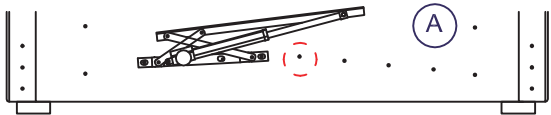
Double & King a  x8 b  x8 c  x8 d  x1



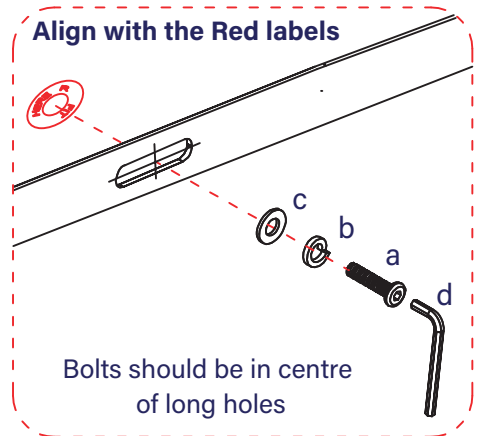
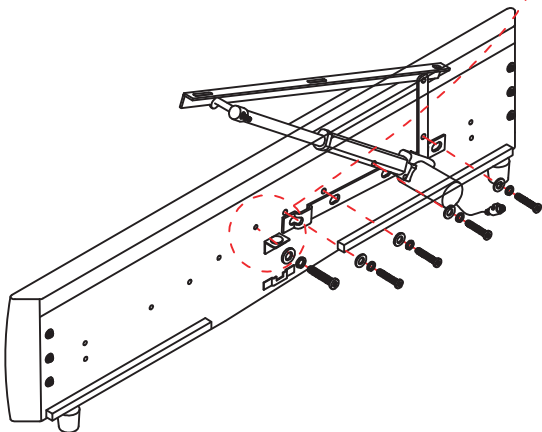
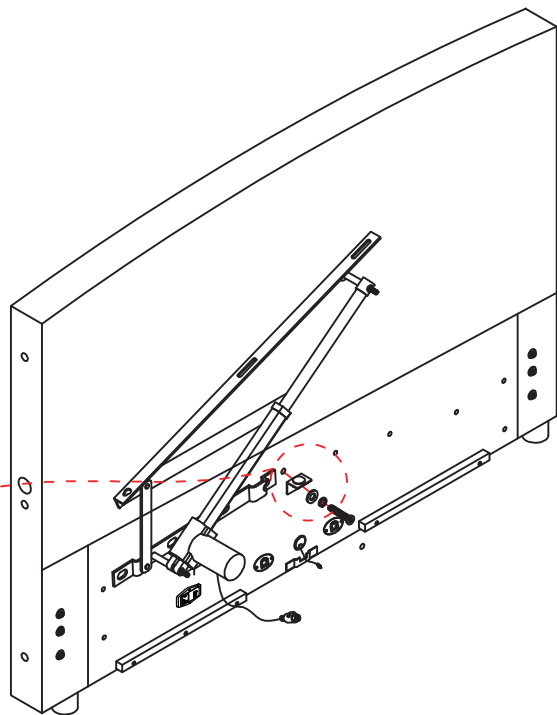
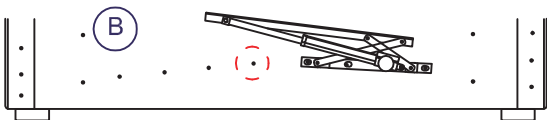
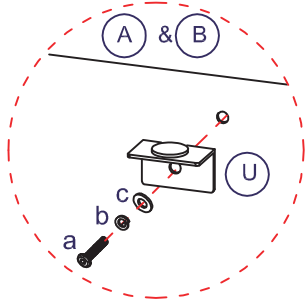
Super King a  x10 b  x10 c  x10 d  x1



Check this diagram and if access is needed from right side, fit both lift mechanisms to left side of the headboard & footboard. Bolt into the holes marked (L) with red labels.



Only for Super King

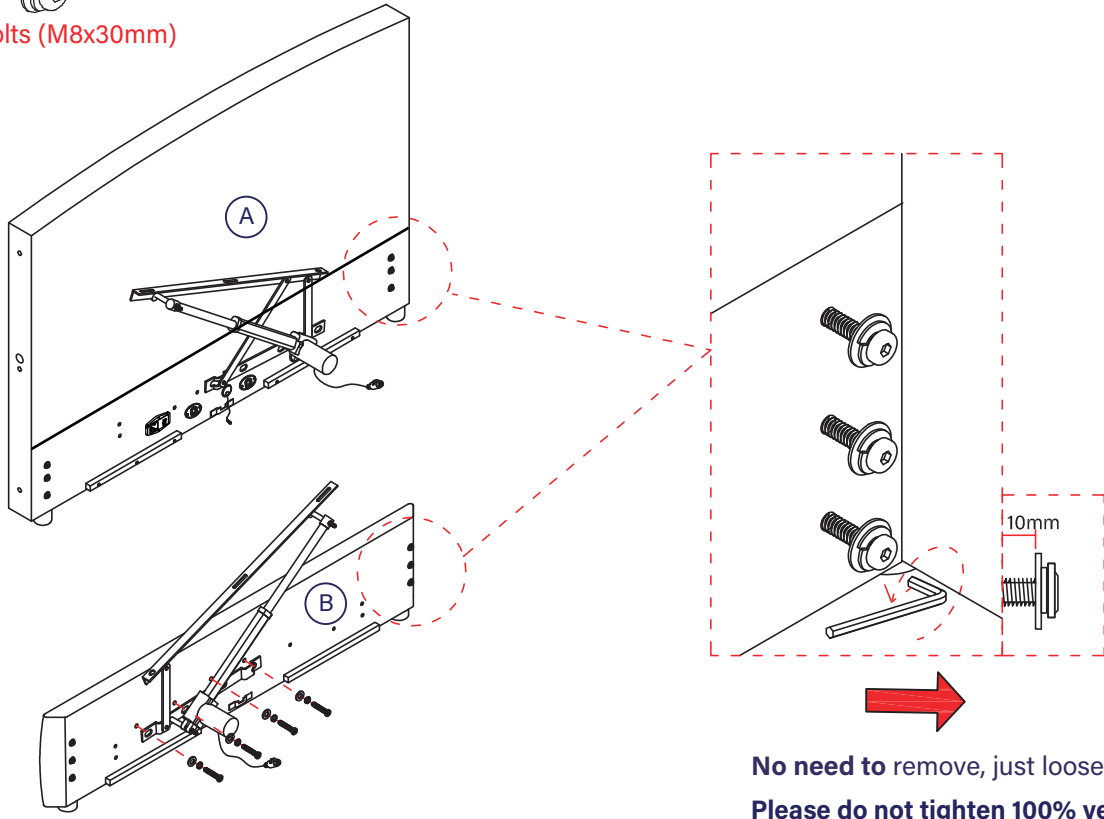


4 Prepare the headboard & footboard for assembly.

Hardware pre-fitted to the headboard & footboard (A&B)

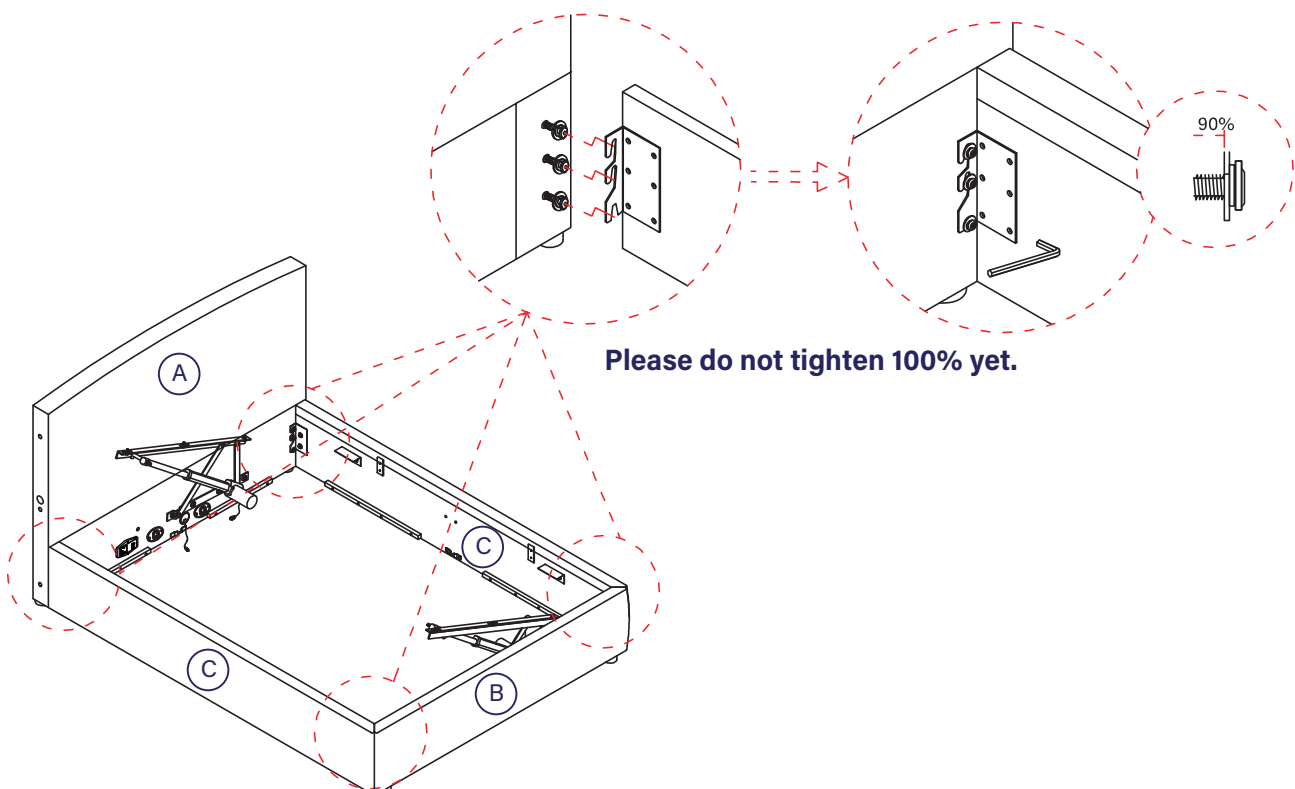
 x 12
Bolts (M8x30mm)

d  x1



No need to remove, just loosen
Please do not tighten 100% yet.

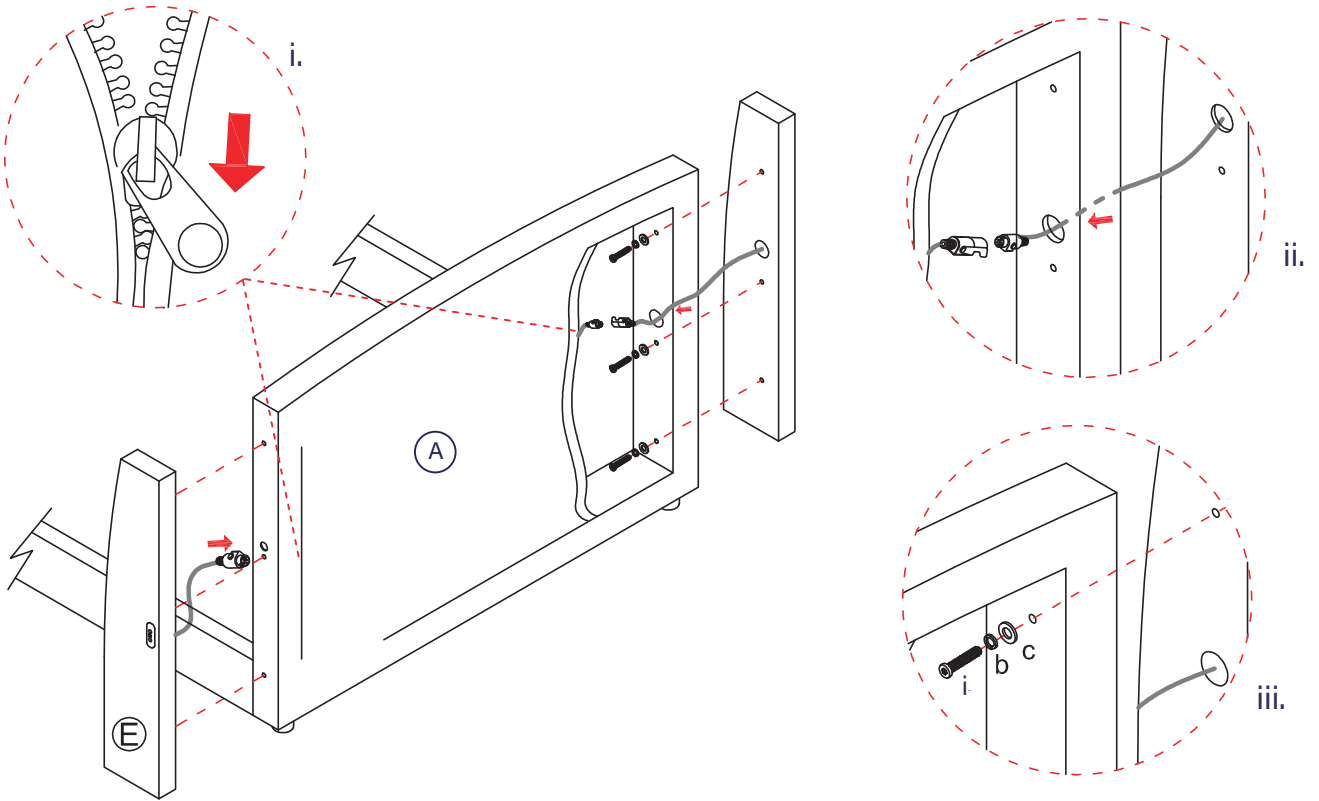
5 Fit both side rails to the headboard & footboard



Please do not tighten 100% yet.

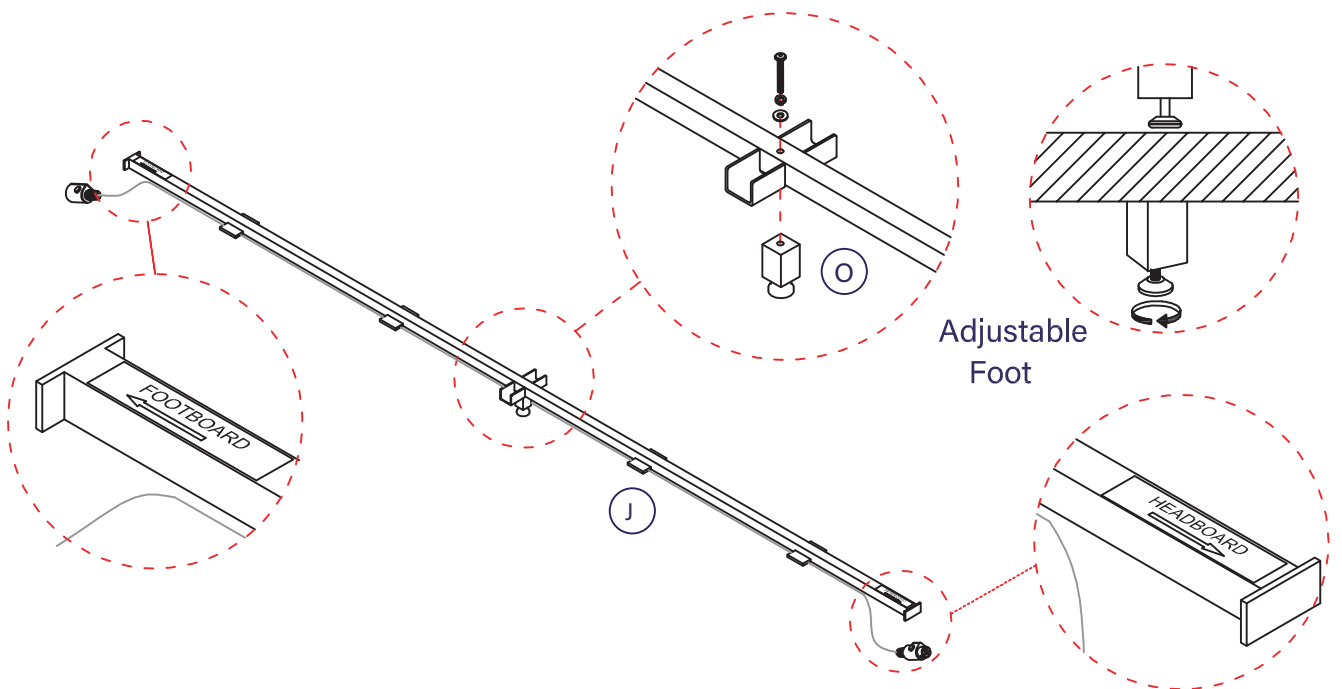
6

i  x6 b  x6 c  x6 d  x1

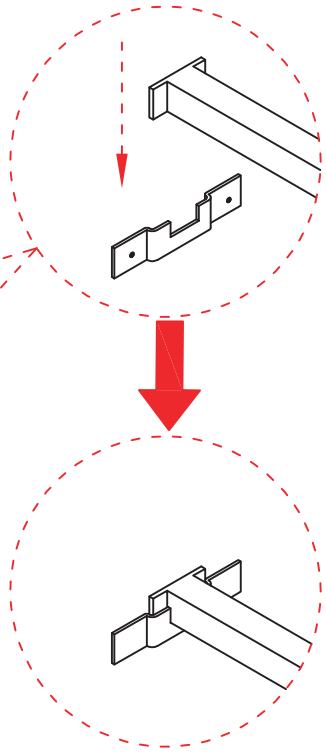
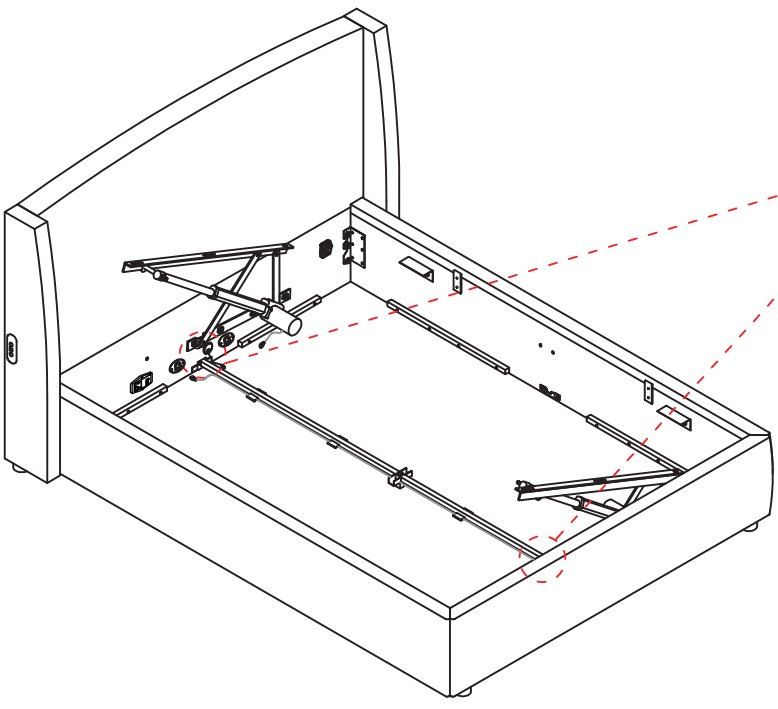


7

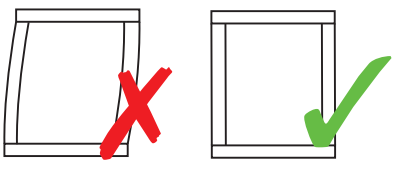
a  x1 d  x1



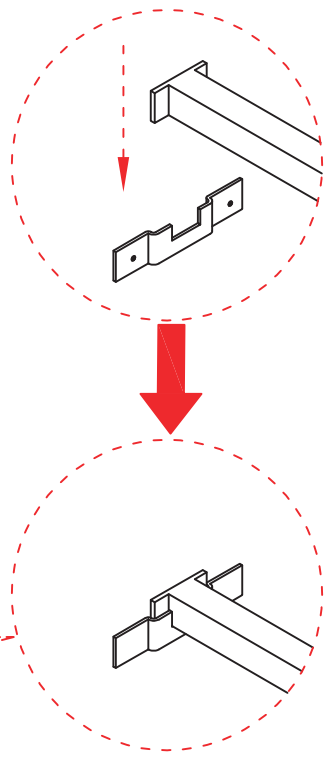
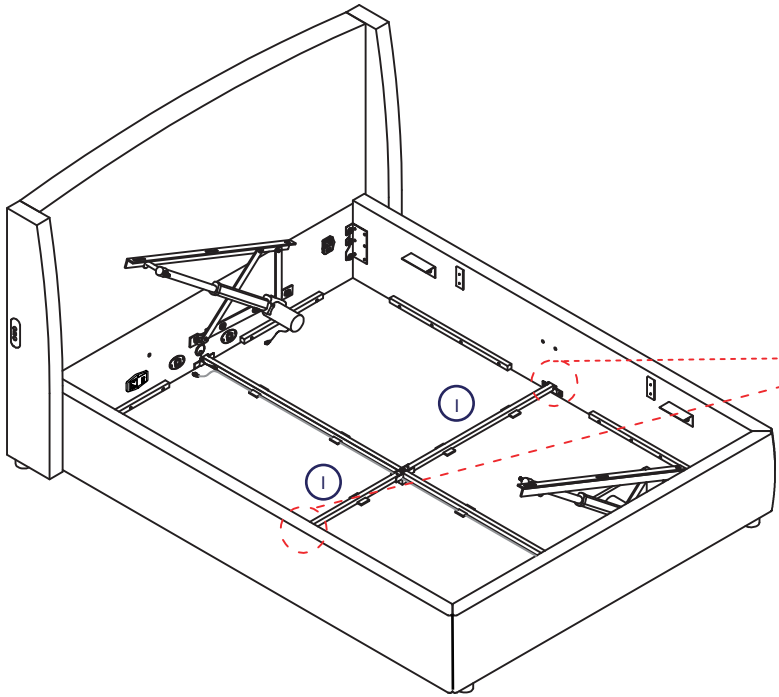
8



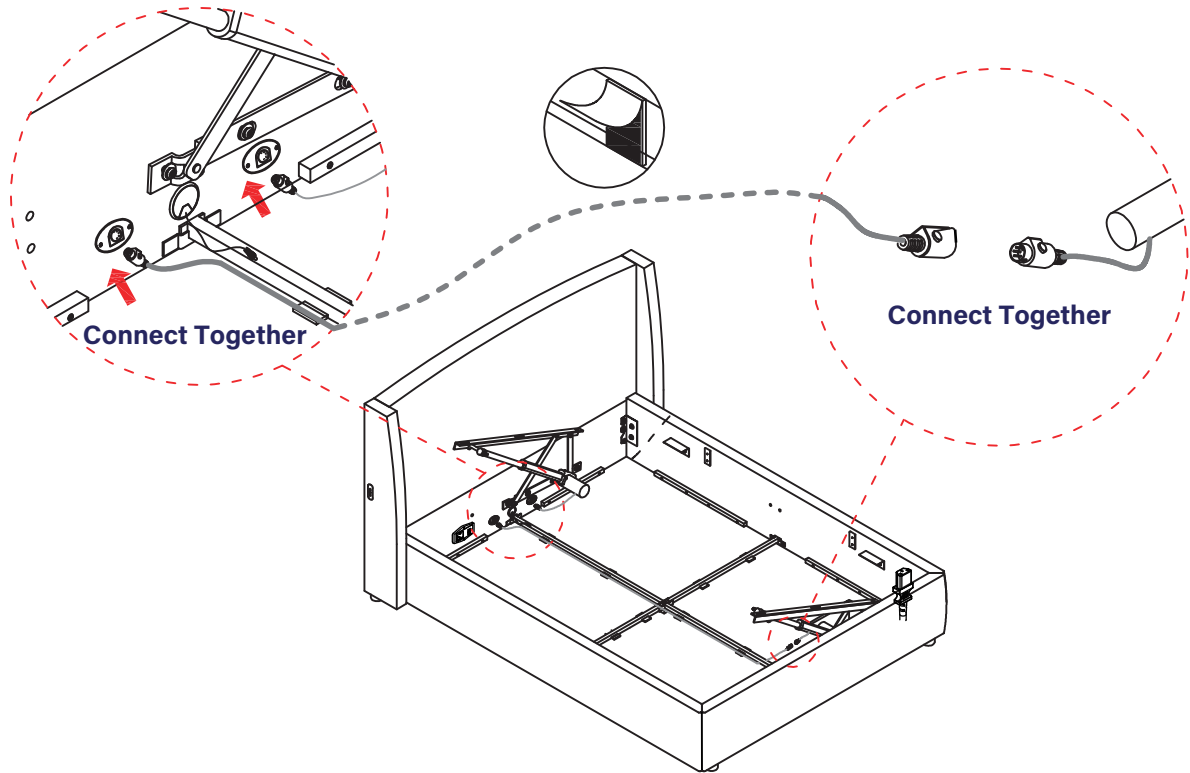
9



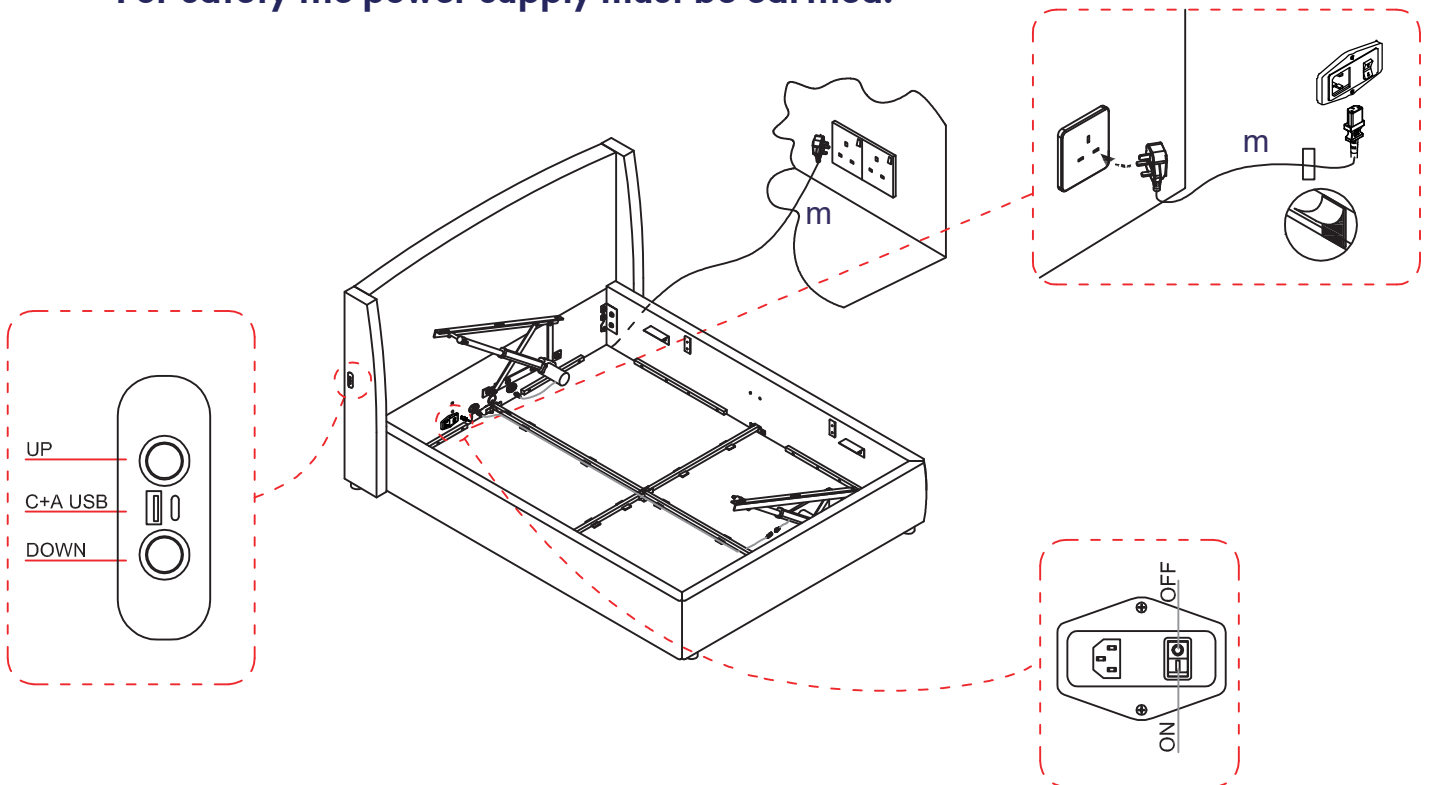
Make certain the bed is squared up as shown in the diagram then tighten all bed assembly bolts 100%.



10



11 Connect the power cable (m) to your wall socket.
For safety the power supply must be earthed.



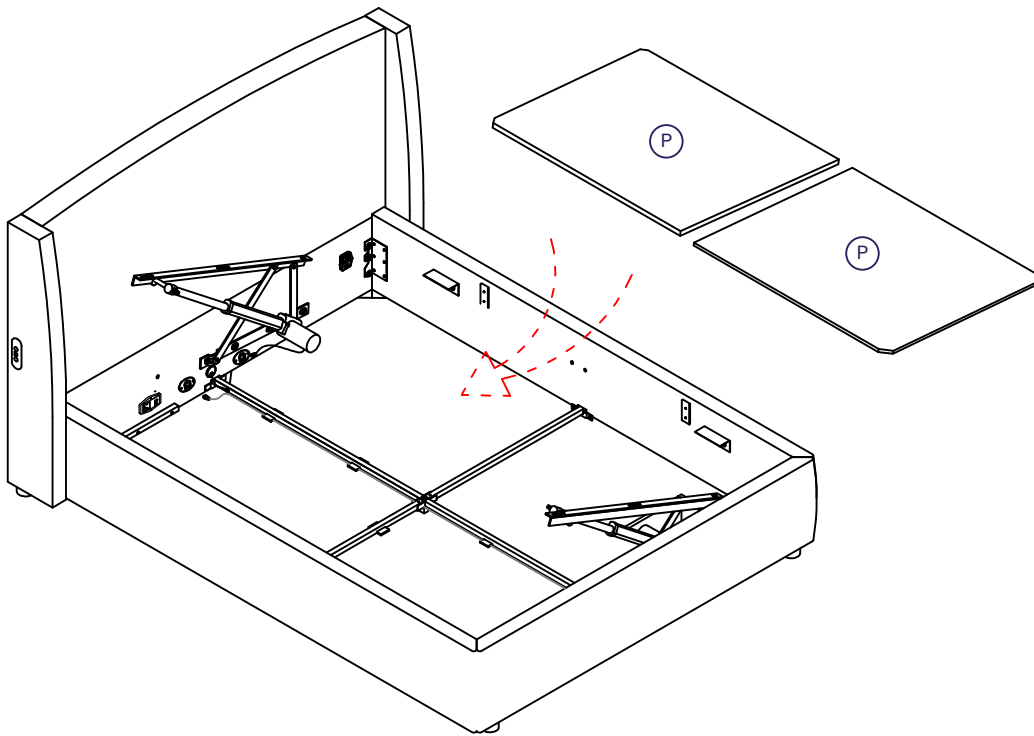
OTTOMAN OPERATION GUIDE - See Step 24

For safety, the system is always locked.




On each side of the headboard is a control station with two buttons.

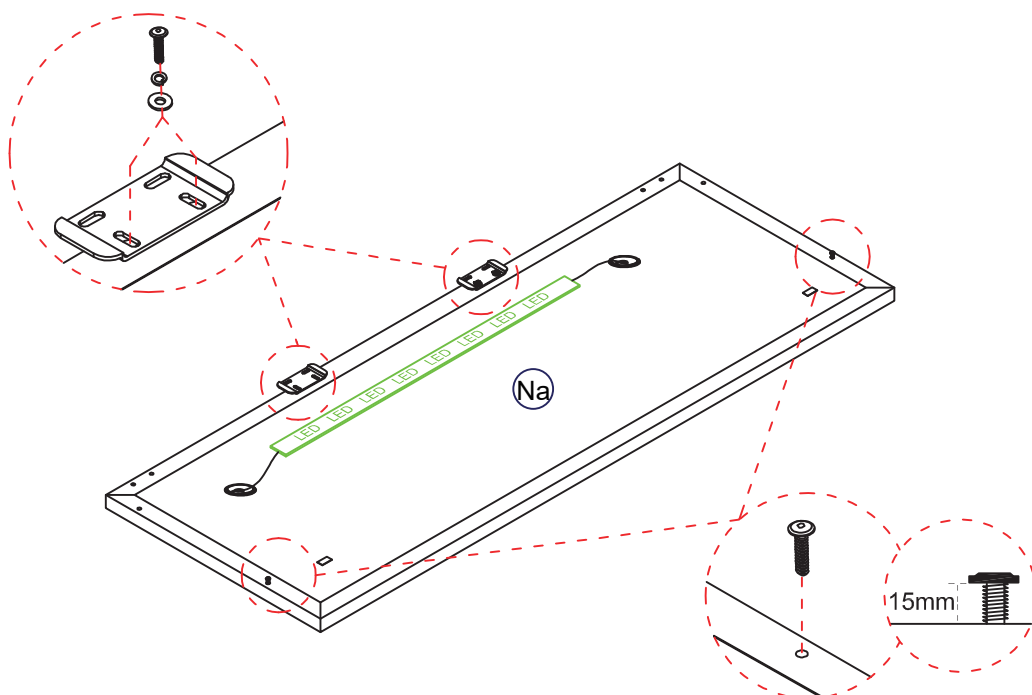
Please refer to Step 23 and read the instructions carefully.

12 Fit the storage base boards (P).



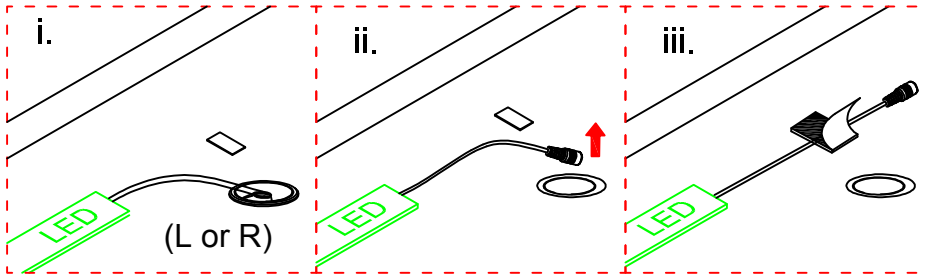
13 Prepare the lower mattress base board (Na).

- a  x6 b  x4 c  x4 e  x2

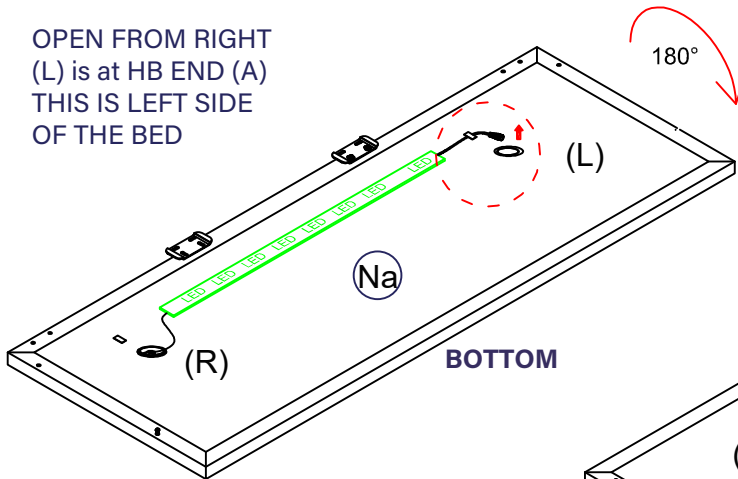


14

RELEASE POWER CABLE

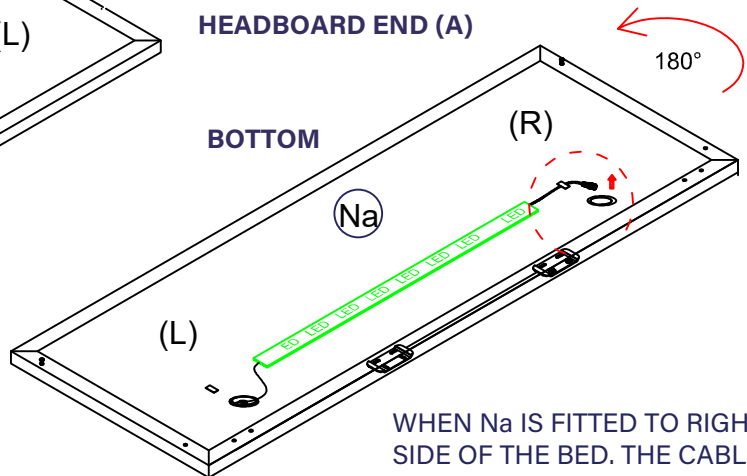


OPEN FROM RIGHT
(L) is at HB END (A)
THIS IS LEFT SIDE
OF THE BED



OPEN FROM LEFT
(R) IS NOW AT HB END (A) AS LOWER
MATTRESS BOARD IS NOW ON
RIGHT SIDE

HEADBOARD END (A)

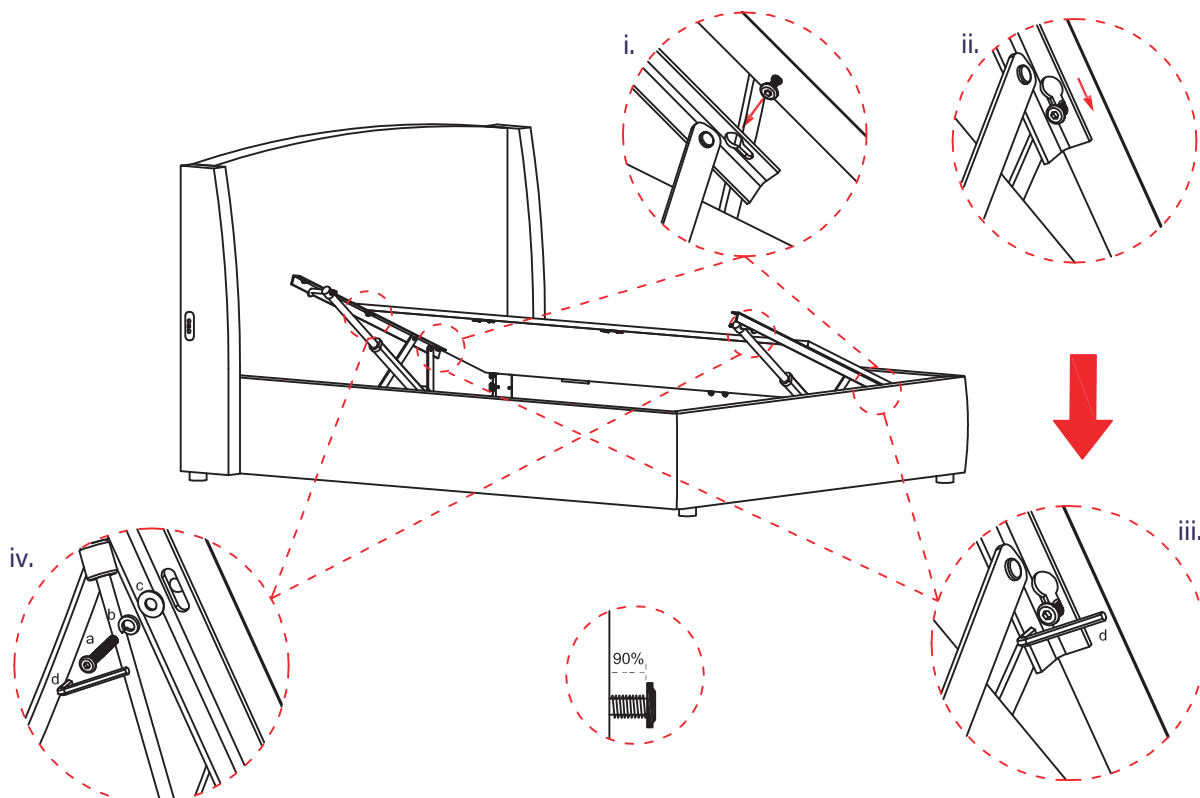


THIS IS LOWER MATTRESS BOARD
FITTED TO LEFT SIDE OF BED (LEFT SIDE
IS LOOKING AT THE BED STANDING
BEHIND THE FOOTBOARD (B)).









WHEN Na IS FITTED TO RIGHT
SIDE OF THE BED. THE CABLE
SHOULD BE ALSO BE FITTED AT
THE HEADBOARD END (A).

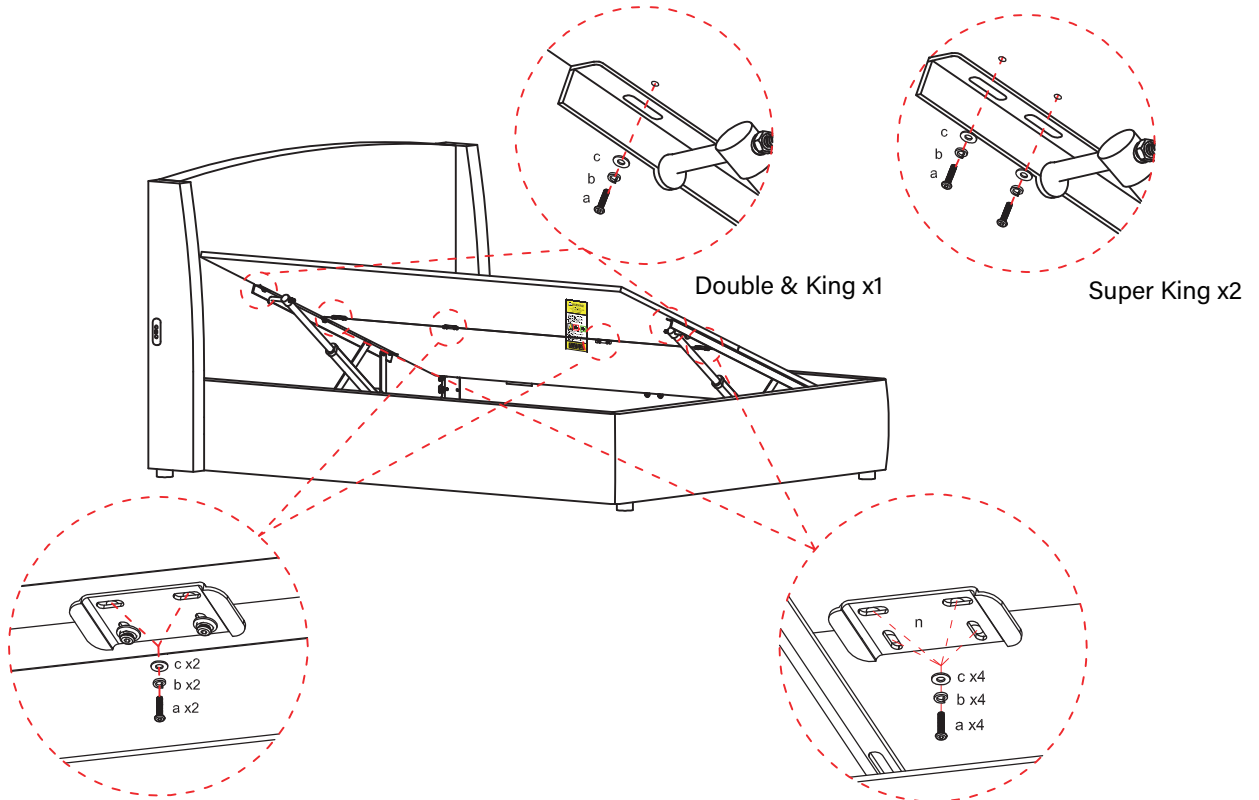
15 Fit the mattress base board (Na) to the bottom of the support arms.

- a  x2
- b  x2
- c  x2



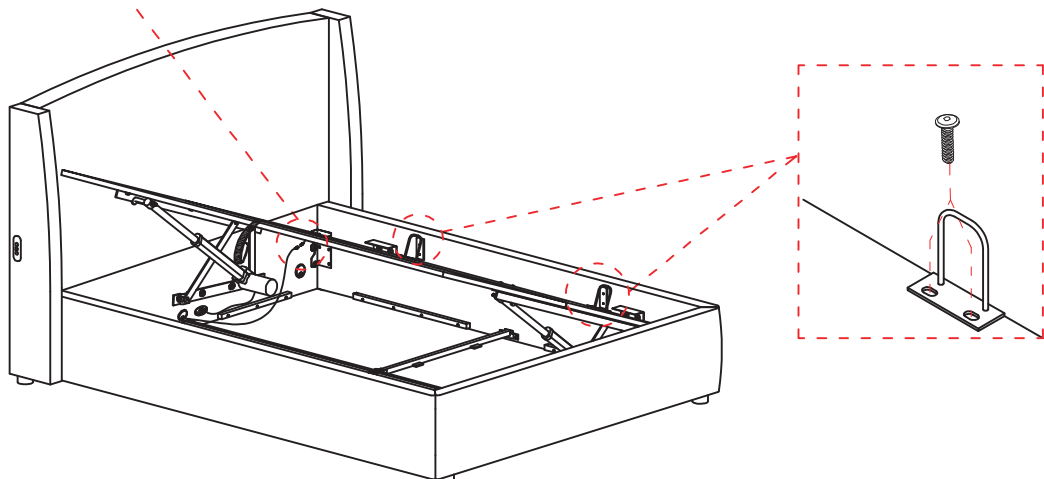
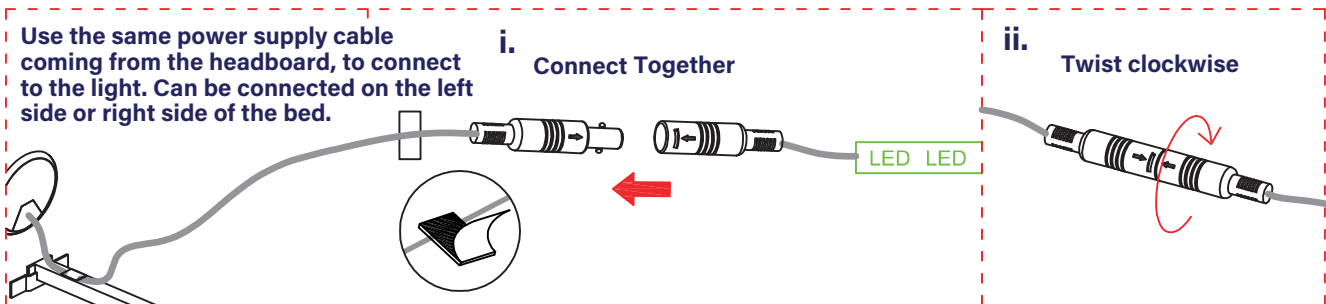
16 Fit the mattress base board (Nb) at the top of the support arms.

- Double & King a  x14 b  x14 c  x14 e  x2
- Super King a  x16 b  x16 c  x16 e  x2

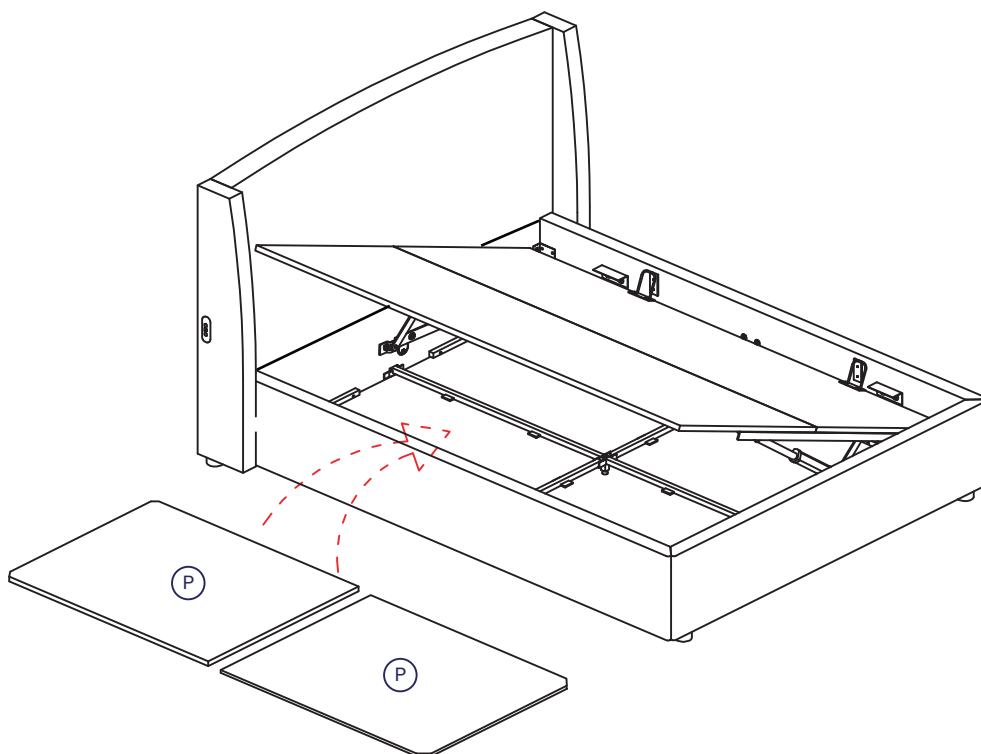


17

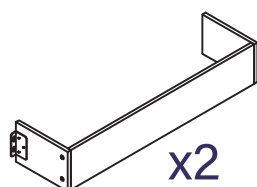
- f  x4 n  x2



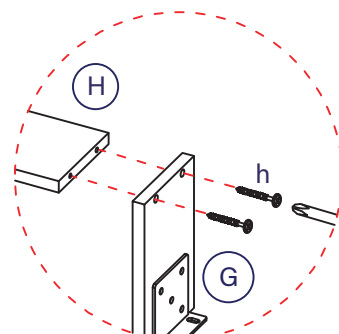
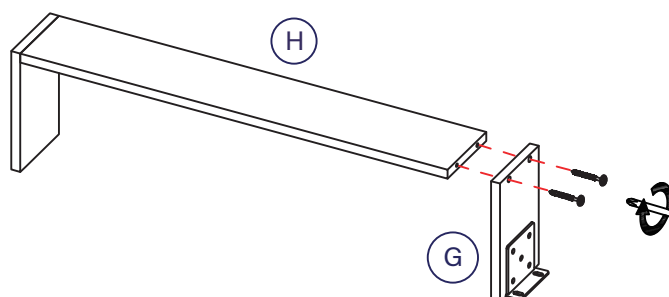
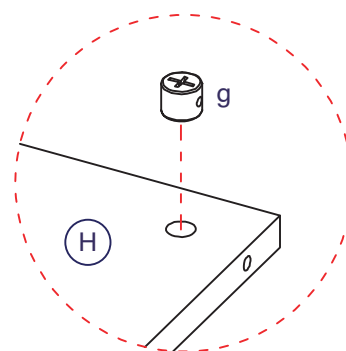
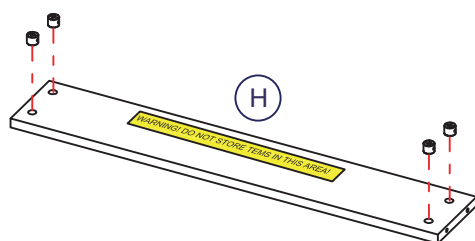
18 Fit the storage base boards (P).



19 Assemble the motor compartment guards.

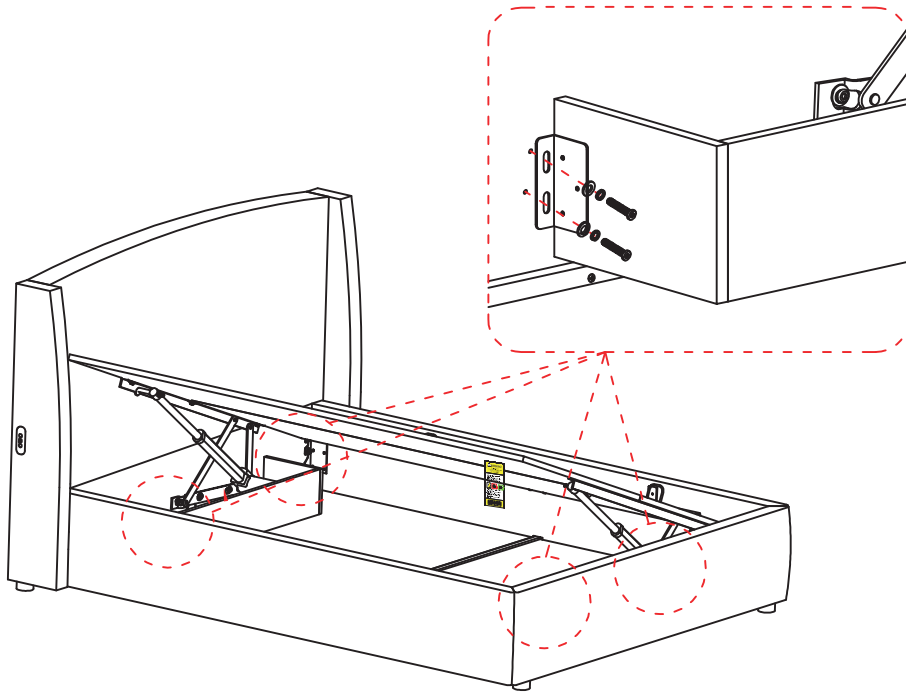


g  x8 h  x8



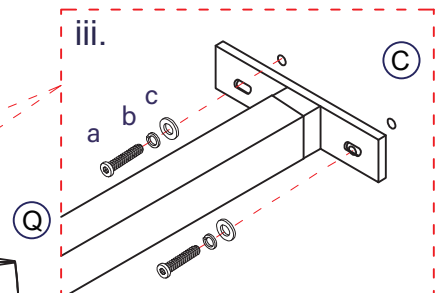
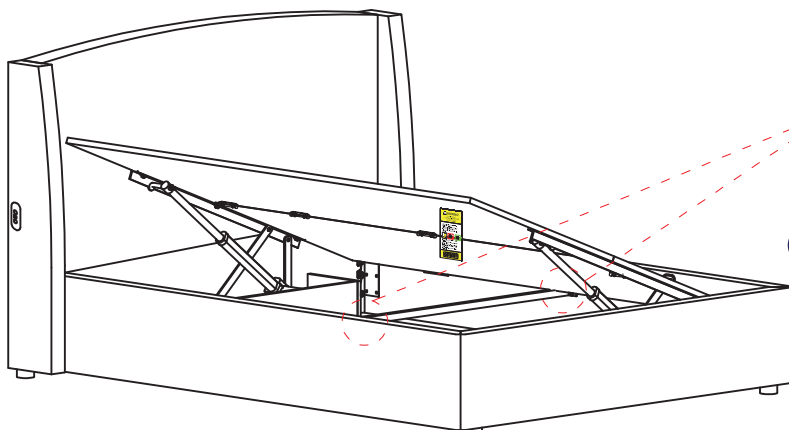
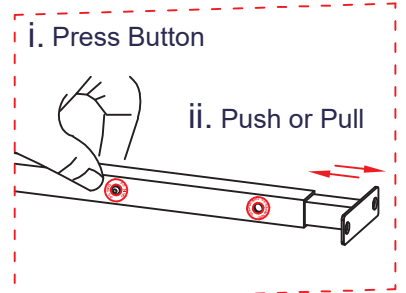
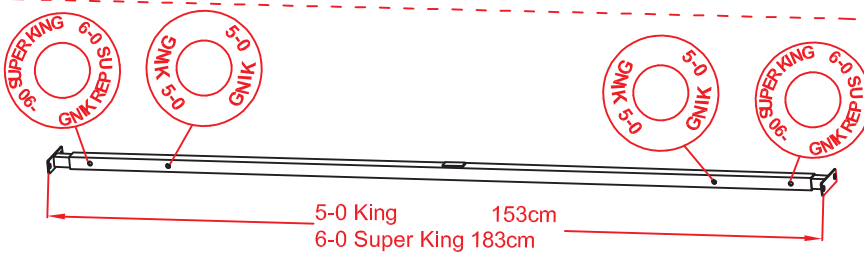
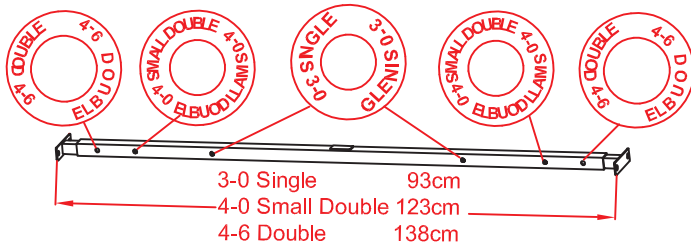
20 Fit the motor guards to the headboard & footboard.
The guards are to protect the lift motors from damage.
Please do not store anything inside the two compartments.

- a  x8 b  x8 c  x8 d  x1

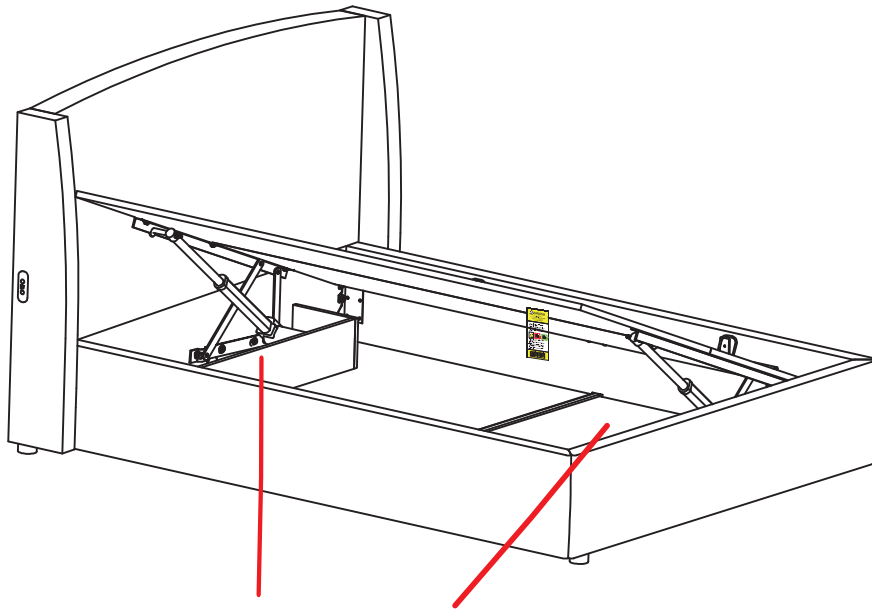


21 If necessary, adjust the Side Rail Cross Bar (Q) to length as shown.

- a  x4 b  x4 c  x4

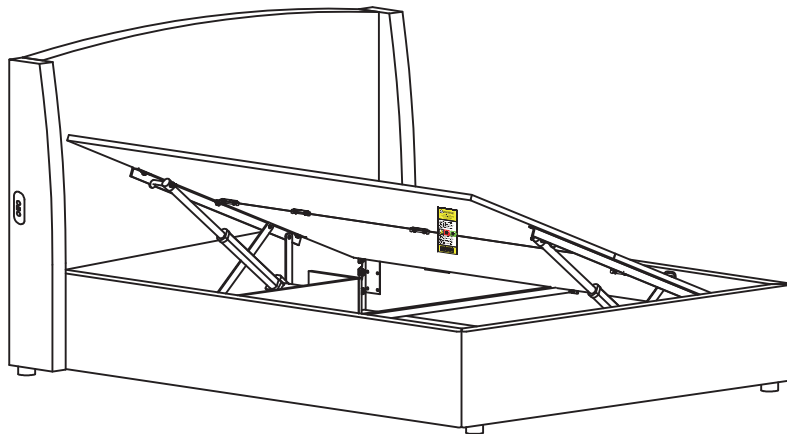


22



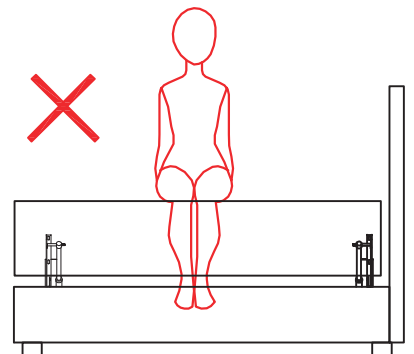
Please do not store anything inside the motor guard compartments or the motor(s) may get damaged.

23



CAUTION

- TO BE OPERATED BY ADULTS ONLY KEEP CHILDREN OR PETS AWAY FROM THE STORAGE AREA
- DO NOT STAND ON THE INTERNAL STORAGE BASE PANELS
- DO NOT OVERLOAD THE INTERNAL STORAGE AREA
- DO NOT SIT OR LAY ON THE BED WHILST THE LIFT IS IN OPERATION



24

OTTOMAN OPERATION GUIDE

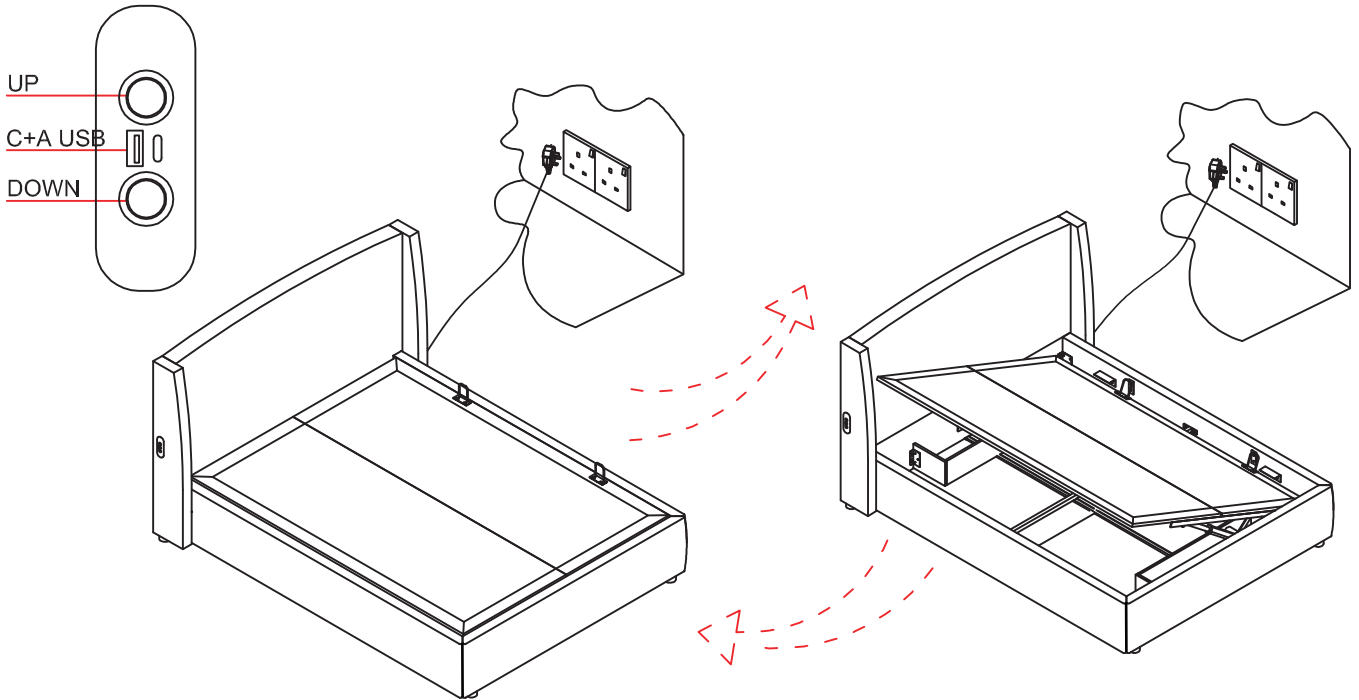
For safety, the system is always locked.

On each side of the headboard is a control station with two buttons.

For 3 seconds press both buttons at the same time, you will hear a beep - this means the system is now unlocked.

You can now raise or lower the platform by pressing the appropriate up or down button continuously - remove your finger and the platform will stop.

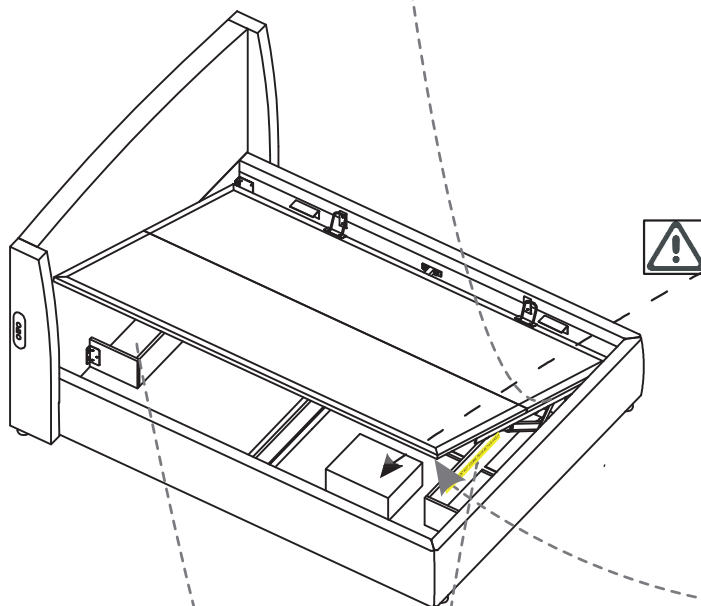
After stopping, in one minute the system will lock. To start again repeat the above procedure.



25

Warnings - Mattress Base Boards

! WARNING! HAZARD - DO NOT REACH INTO THE SPACE BELOW!



WARNING! DO NOT STORE ITEMS IN THIS AREA!

Note: Be very careful what you store under the bed - the top of an item, like a suitcase or a box, must not touch the underside of the mattress base or it may get damaged.




Maximum item height is 22.5 cm.

! WARNING
TO AVOID ACCIDENTS
 To access the storage area, the ottoman frame **MUST BE FULLY OPENED** and then **FULLY CLOSED** afterwards.

Ensure the combine bedding and mattress weight is within the recommended weight guidance.

Adult Operation Only: Not recommended for use by children under the age of 12 years old. Please note ease of operation is dependent on height and strength of user.

Avoid Entrapment: Only unlock the button control when it is safe to do so.

Fully Open Ottoman: Ensure the ottoman is fully open before accessing the storage area.

Avoid Hinge Area: Do not reach into the storage area through the hinge mechanism.

Keep Children and Pets Away: Ensure children and pets stay away from the storage area. Do not stand inside the internal storage area of the bed.

Maintenance - Regularly inspect your bed to ensure it is functioning correctly.

Recommended weight guidance for safe operation:		
Bed Size	Min (kg)	Max (kg)
Double	10	80
King	10	80
Super King	15	100

26a



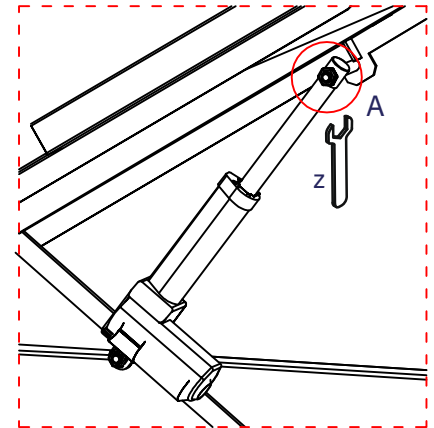
Emergency Lowering



In an emergency such as a power cut with the bed in the UP position, it can be lowered by hand;

THIS REQUIRES TWO PEOPLE;

- Unplug the power supply plug from the wall. Remove the mattress & bedding.
- First person supports the mattress base board - if low down, it can be lifted to a working level - if necessary use a suitable prop for safe working.
- Second person removes the two UPPER M10 motor nuts on A with the 17mm spanner supplied in the hardware kit.
- When doing this, do not stand inside the bed on the storage base boards.
- Push the motor link off the pivot pins evenly, gently laying them on top of the storage base-board.
- The mattress base is then gently lowered into it's lower resting position using the hand straps - keep your hands clear of the side rails when lowering the base. It is heavy so be careful..



If it is not possible to raise or lower the bed,
PLEASE CALL CUSTOMER SERVICES on 0344 292 00 00

26b

Hardware pre-fitted to the Mattress Base Board-Upper (Nb)

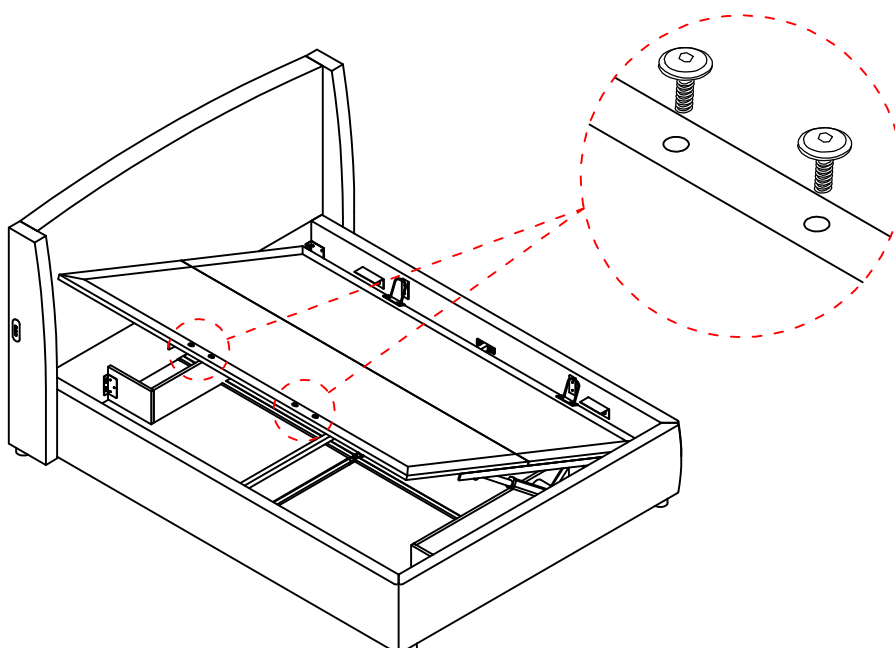


x4

Bolts (M8x20mm)

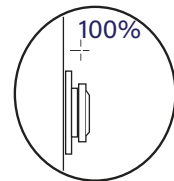
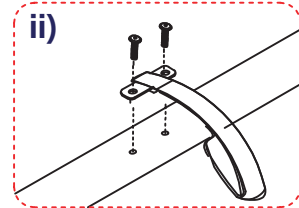
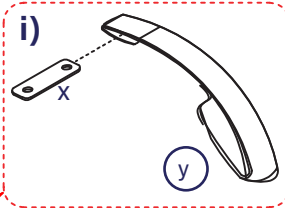
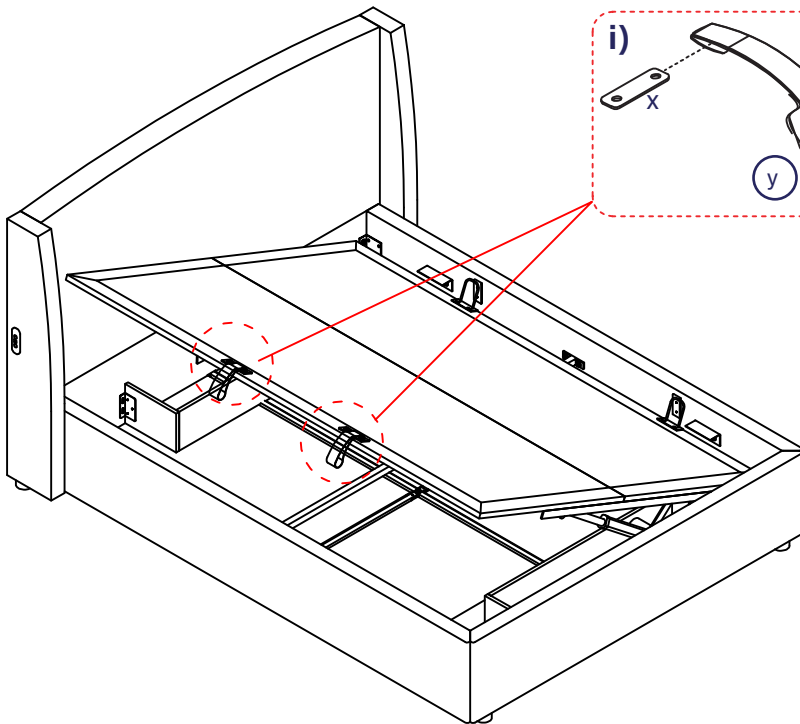


Remove the bolts from the boards



26c

For Emergency use only in case of Power Failure

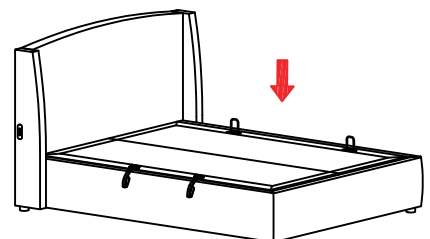
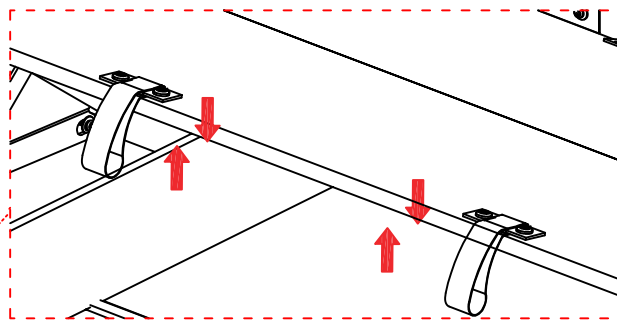
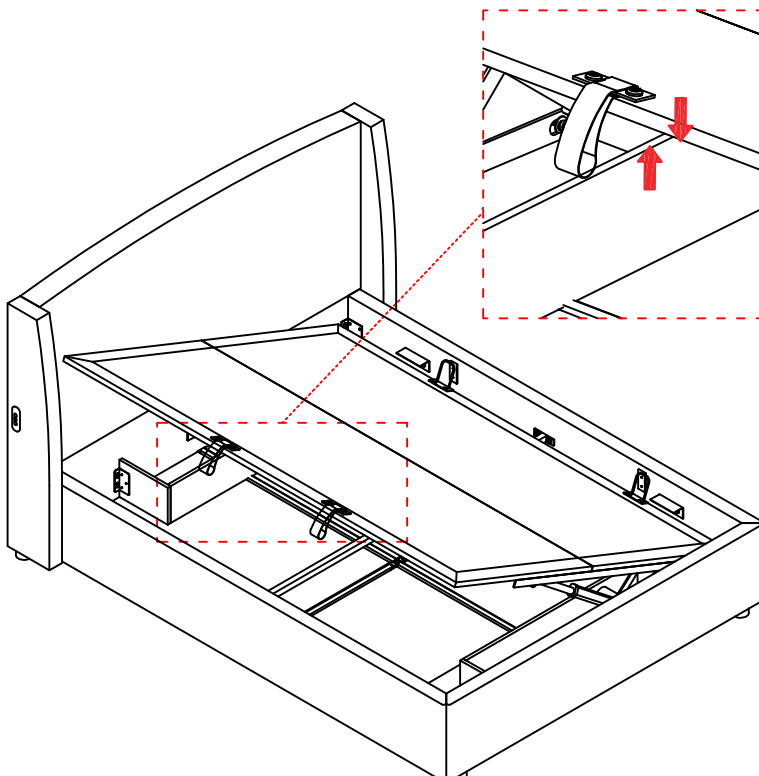


Finally, tighten all bolt sets 100% using Allen key (d).

26d



Remove mattress & bedding, assistant holds the frame while lock nuts are removed & pistons taken off and laid down, then frame lowered down with the handle straps.

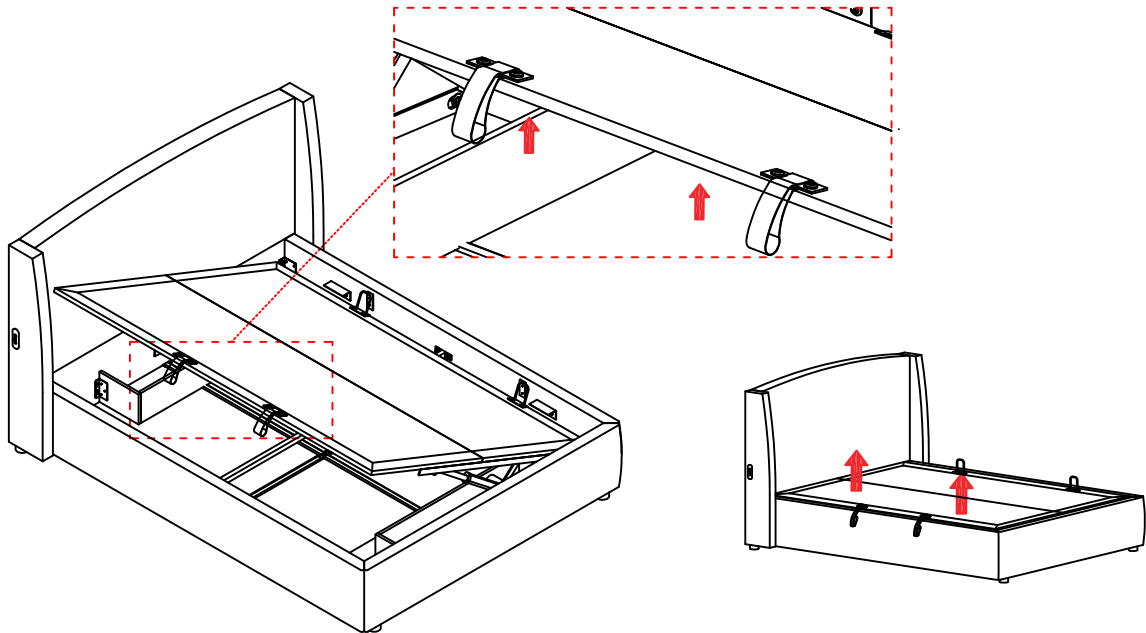


26e Emergency Lifting

When Emergency access is required to the storage area, follow steps 26b, 26c & 26e.



CAUTION: Lift the bed base using the installed emergency fabric hand straps making sure it is sure it is supported by the 2nd person. Once access is gained, lower the bed base back down to its closed position using the emergency fabric hand straps.



Care and maintenance

Here are some tips to keep your new bed in tip-top condition



Cleaning

To clean your new bed, we'd advise using a warm damp cloth or if fabric, remove dust using a low suction vacuum cleaner. Please do not use abrasive chemicals or bleach as this may damage the product.



Checking and moving

Periodically we recommend you check that the screws or fixtures haven't become loose over time. To move your new bed, we recommend lifting it where possible, as dragging or pushing it could cause damage to the legs or flooring.



Wood

Please note each of our wooden pieces are unique, meaning that markings and shade can vary slightly between beds. Over a period of time, the wood might lighten or fade slightly due to light exposure.



Fabric

Please note depending on the lighting, positioning and surroundings of your room, the shade of the colour can sometimes appear slightly different. Over a period of time, the colour might lighten or fade slightly due to light exposure.



Metal

Metal tends to be more resilient to everyday wear and tear. We recommend to gently dust your metal furniture and keep it dry to maintain its look.

Thank you for shopping with us - we hope you have a great night's sleep.

Sleep well



Little dreamers

Keep the little ones entertained while you assemble your new purchase.

