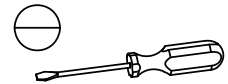
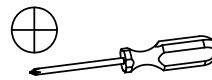
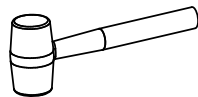
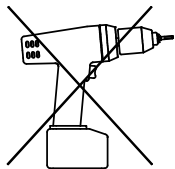
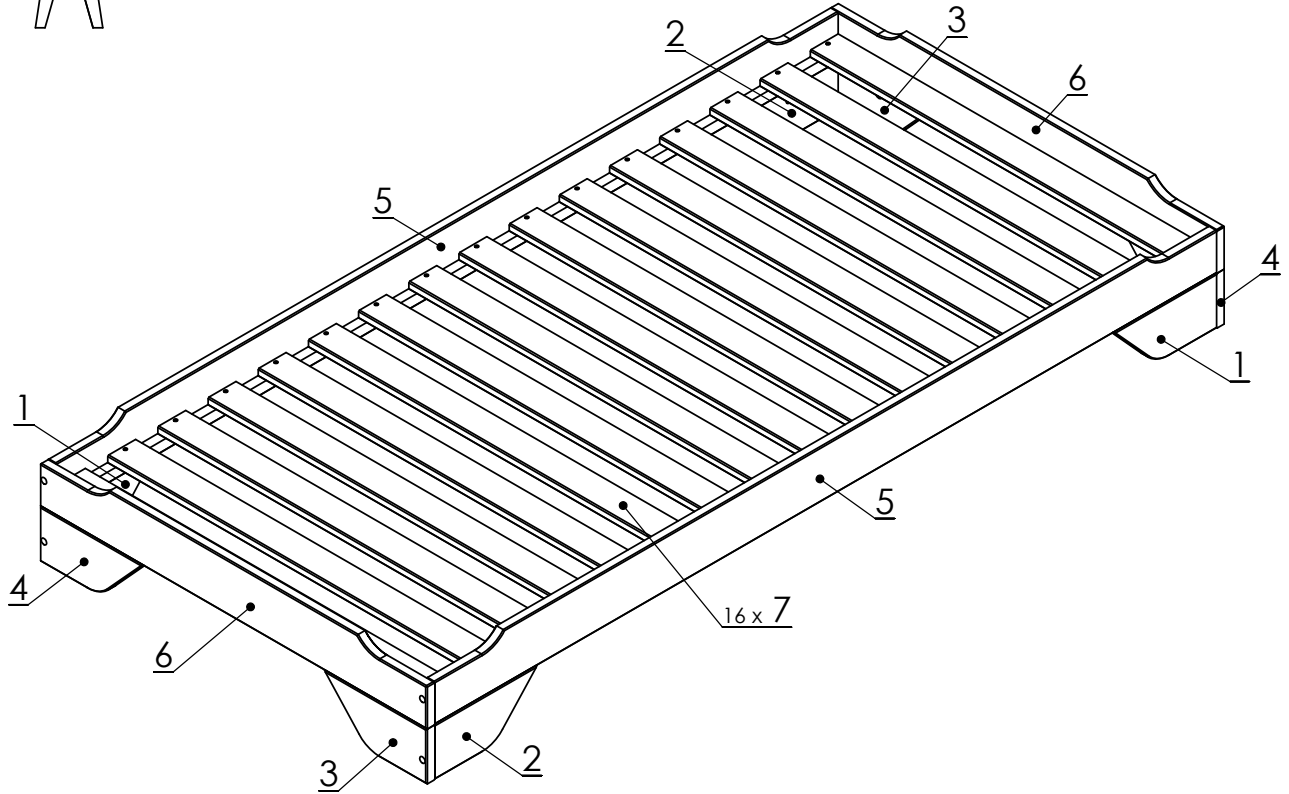
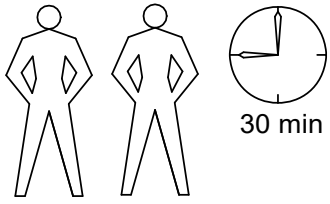
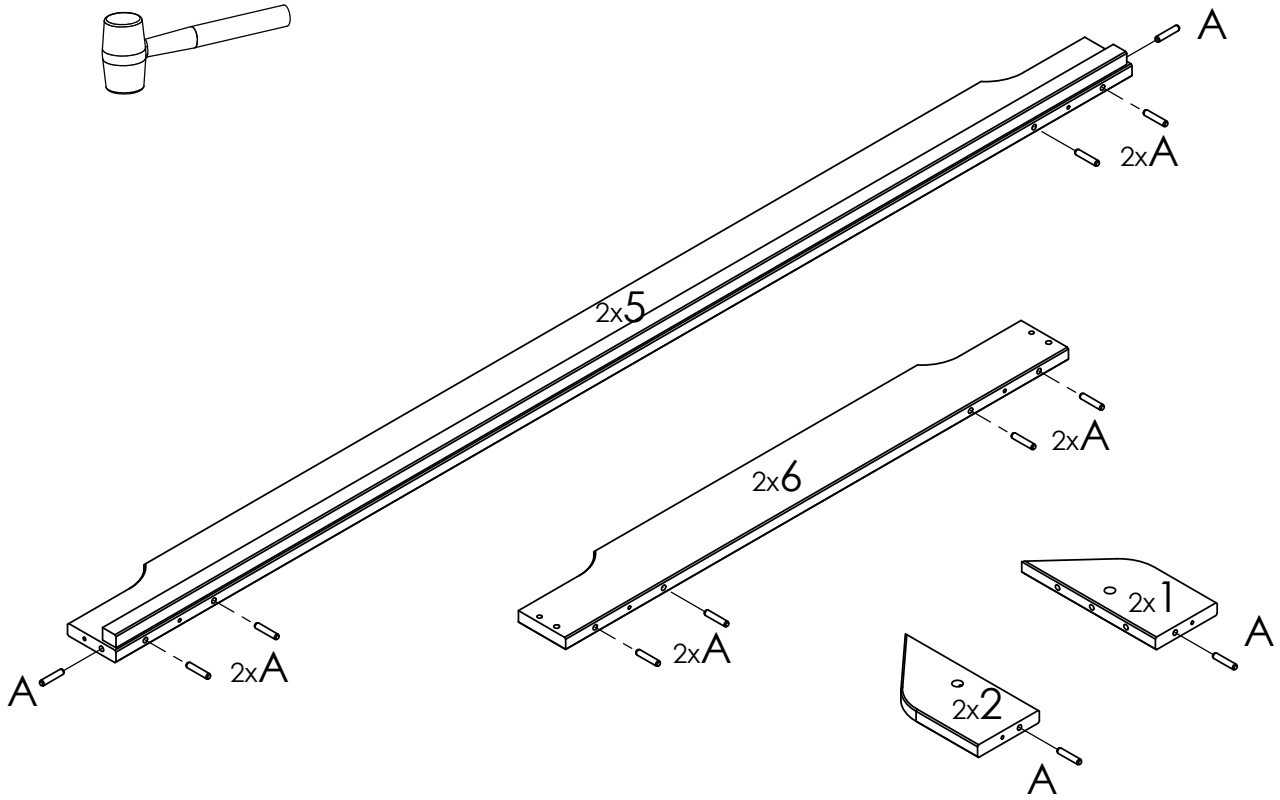
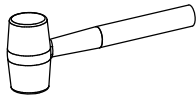


IMPORTANT! KEEP FOR FUTURE REFERENCE



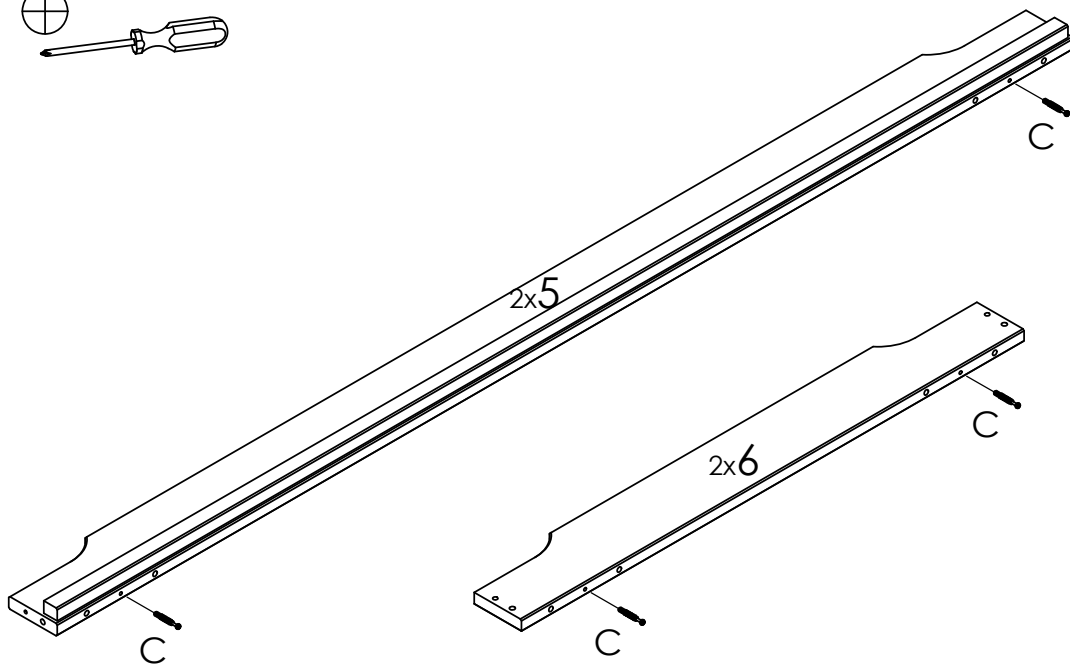
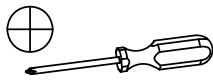
A		8x40	x24
B		7x50	x8
C		7x34	x8
D		15x12	x8
E		D4x13	x8
F		3,5x40	x32
G		52x47x3	x2
H		4mm	x1

①



A		8x40	x24
---	--	------	-----

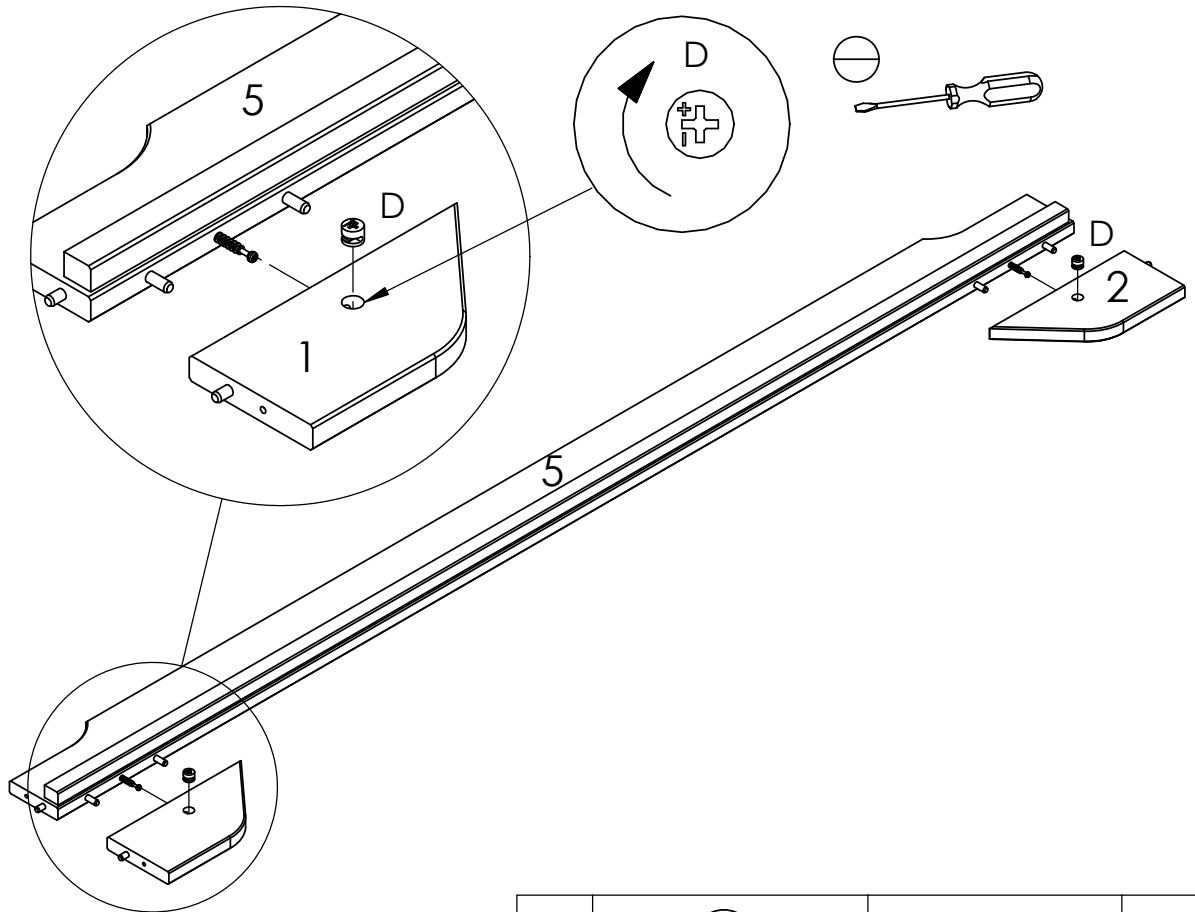
②



C		7x34	x8
---	--	------	----

③

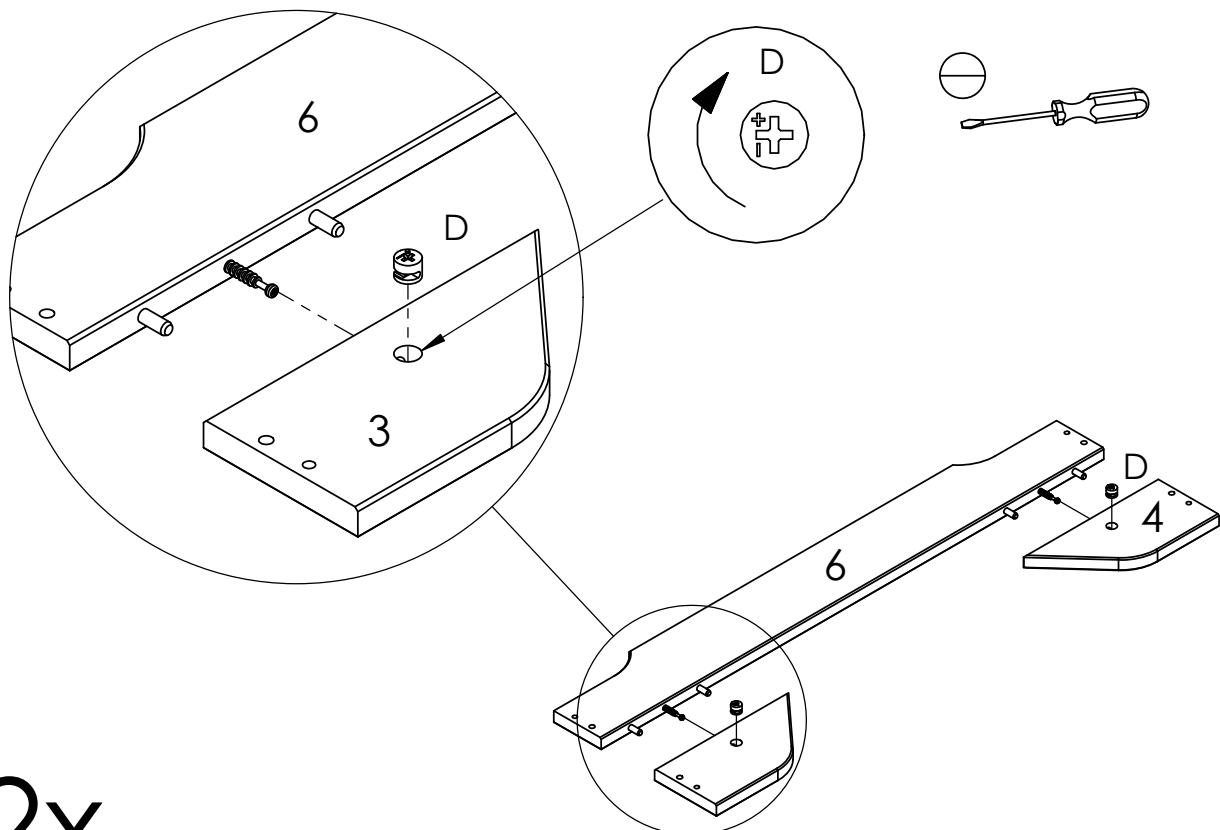
2x



D		15x12	x4
---	---	-------	----

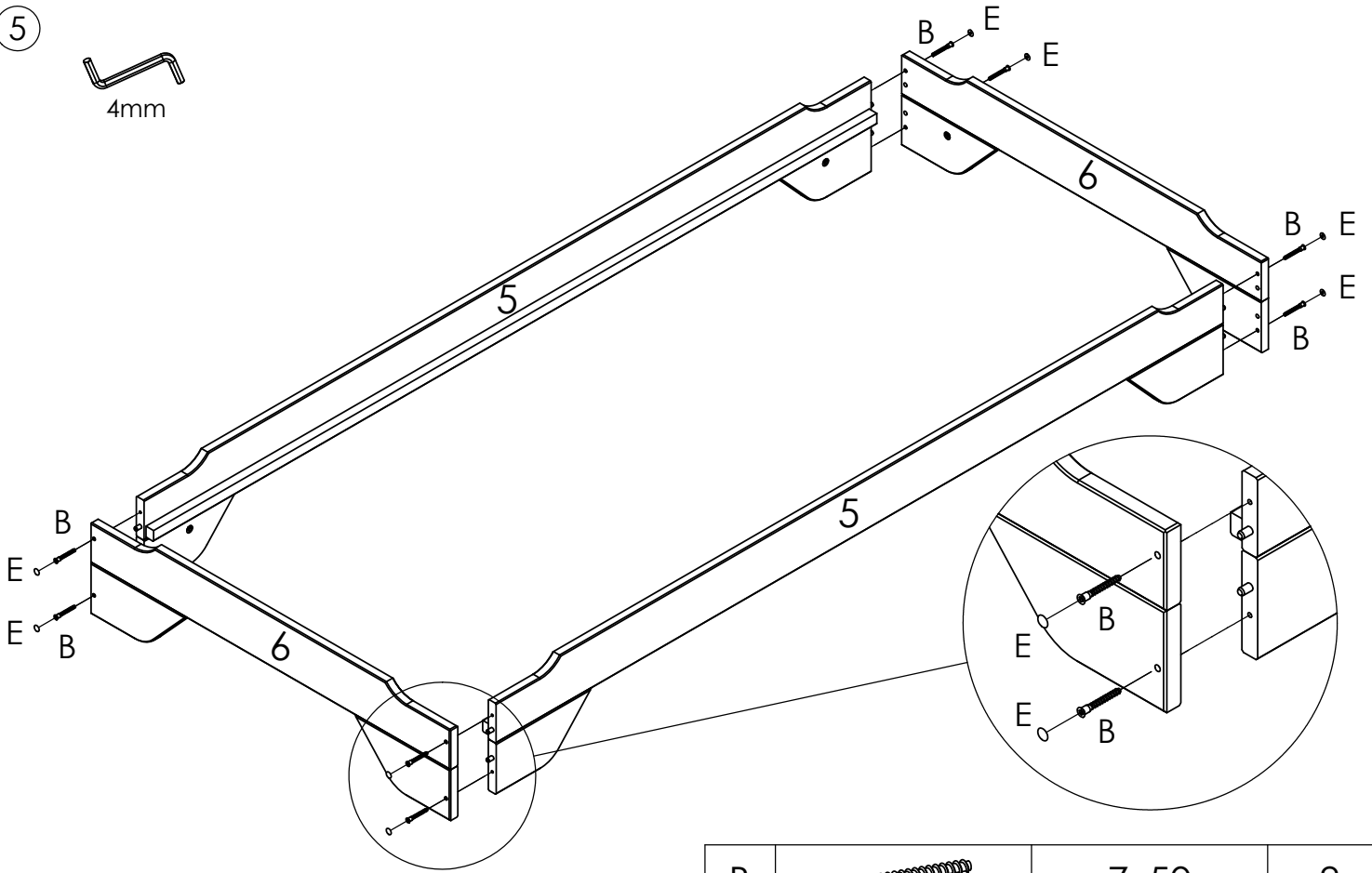
④

2x



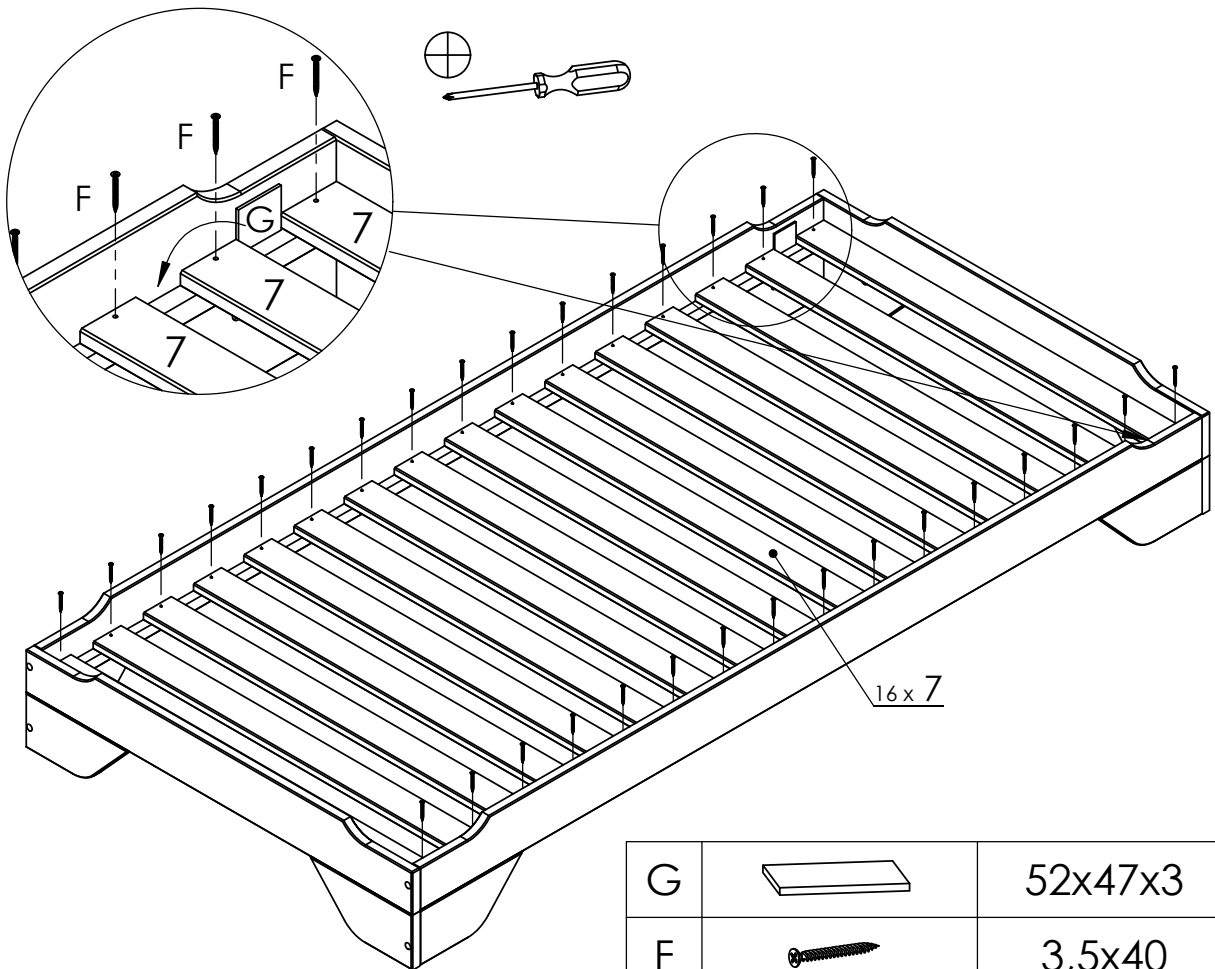
D		15x12	x4
---	---	-------	----

5



B		7x50	x8
E		D4x13	x8

6



G		52x47x3	x2
F		3,5x40	x32

IMPORTANT INFORMATION

It is recommended that you always follow the manufacturer's instructions to assemble this product. It is also recommended that periodically that all fixings are checked and tightened if required.

IMPORTANT! KEEP ASSEMBLY INSTRUCTIONS FOR FUTURE REFERENCE

This bed conforms to EN1725

Recommended Mattress size: 190*90 (UK single) with a depth no more than 23cms.

General Care: Wipe clean with a slightly damp soft cloth.

Avoid using all household cleaners and abrasives.

When moving your furniture, carefully lift into place.

Never drag or push across the floor as this will cause damage to the joints and could result in failure to the product that will invalidate the warranty.