

# KOKO SILENTNIGHT COT BED



IMPORTANT RETAIN FOR FUTURE REFERENCE READ CAREFULLY



1 hour approx  
assembly time



Two person  
assembly

**Dreams**



# Thank you

Hello, thanks for choosing to purchase your bed from Dreams - you're now on your way to your best ever night's sleep. Before you begin building your bed, please take a moment to read through the instructions and make sure that you've got all the relevant parts listed on the following pages. This product complies with EN 716-1:2017:AC:2019/EN716-2:2017 and BS 8509:2008+A1: 2011



## Assembly tips

Before you begin, it's best to identify all parts and fittings to build your bed. We advise laying these out on the floor to check you have everything, and familiarising yourself before building.



## Top tip

We recommend that you build your new bed in the room you'd like it to be located - this will help prevent any risk of damage to your newly built bed whilst moving it.



## Safety and care

It's really important to ensure children and animals are kept away from the assembly area, as there are small components used in this bed which could present a choking hazard. All plastic and wrapping materials should also be kept away from children and animals to prevent any risk of suffocation. To keep your little ones busy, there is a colouring page inside the back cover.



## Help and support

At Dreams, it's our mission to give the whole nation a great night's sleep - this means that the quality of our products is of utmost importance to us. If there are any issues with your product or any missing parts, please visit our website at [www.dreams.co.uk/help](http://www.dreams.co.uk/help)



## Recycling

Please ensure that packaging is disposed of in a safe and environmentally friendly way, and recycle where possible. Our assembly instructions are printed on recycled paper. Please keep your assembly instructions safe to refer back to in the future.

# Safety notes

Furniture can be dangerous if incorrectly installed . Assembly should be carried out by a competent person. Keep children clear during assembly as pack contains small parts which may present a choking hazard.

The cot is intended for use for children from birth to approximately 18 months.

Do not stand on the cot before placing the mattress.

Assemble on a smooth flat surface.

Always follow the manufacturer's instruction.

Ventilation of the room is necessary in order to keep the humidity low and to prevent mould in and around the cot.

Do not place the cot near heat sources, windows and other furniture.

Warning: Be aware of the risks of open fires and other such sources of strong heat, such as electric bar fires, gas fires, etc. in the near vicinity of the cot.

Warning : Do not use the cot if any part is broken, torn or missing and use only spare parts approved by the manufacturer.

Warning : Do not leave anything in the cot or place the cot close to another product, which could provide a foothold or present a danger of suffocation or strangulation ,e.g. strings , blind/curtain cords, etc.

Warning : Do not use more than one mattress in the cot.

The mattress base can be adjusted in height, but the lowest position is the safest and should always be used in that position as soon as the baby is old enough to sit up. The thickness of the mattress shall be such that the internal height (surface of the mattress to the upper edge of the cot frame) is at least 500mm in the lowest position of the cot base and at least 200mm in the highest position of the cot base. See step 3 which shows the position of a mark on the cot 200mm down from the top of the cot side. The top of your mattress should never be above this mark.

The length and width of the mattress shall be no less to ensure the gap between the mattress and the sides and ends does not exceed 30mm. Suitable for use with a mattress of 1400mm in length , 700mm in width and a maximum thickness of the mattress is 100mm.

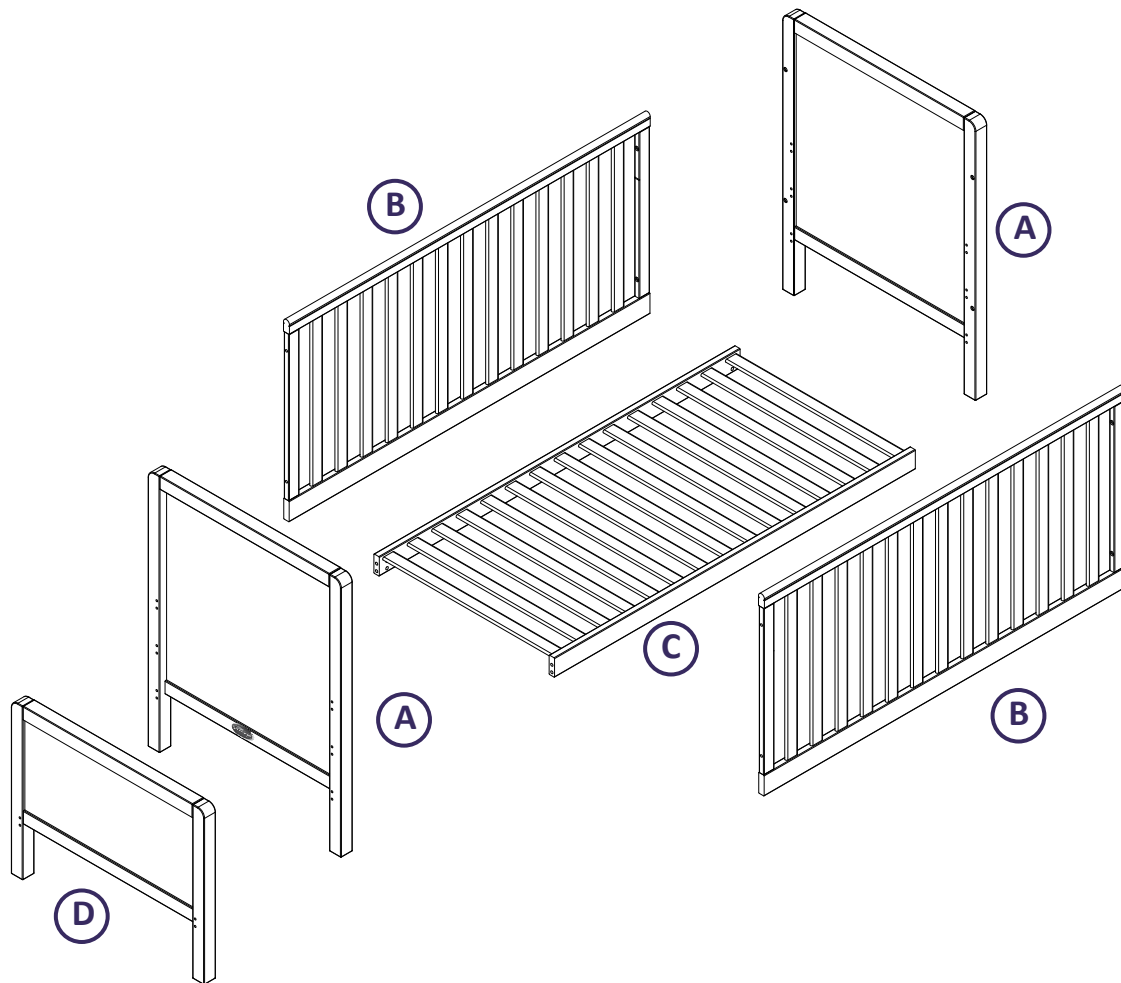
All assembly fixings should always be tightened properly. Periodically check all fixings to ensure none have come loose, and that there is no risk of clothing or parts of the body becoming snagged or trapped.

To prevent injury from falls, the cot should no longer be used for the child once they are able to climb out of the cot.

Do not allow your child to jump on the cotbed . This may result in damage to the furniture and/or injury to your child.

Due to constant updating and improvements, some components may occasionally difer slightly from the images shown in these instructions. We reserve the rights to change the specifications of any products without prior notice. If you need any assistance please contact your dreams.co.uk retailer from whom you purchased your product, who will take appropriate action.

# Parts

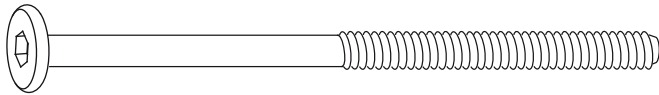


## Parts list

A.	Ends	QTY	2
B.	Cot side	QTY	2
C.	Base	QTY	1
D.	Toddler bed end	QTY	1

# Fittings

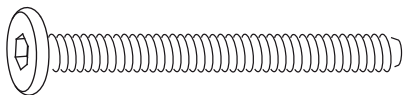
Please check you have all the parts listed below with your product:



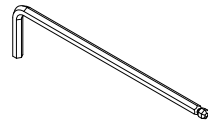
H1: M6 x 85mm  
Qty: x8



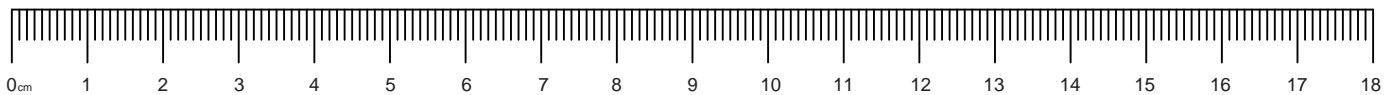
H3: M6 x 15mm  
Qty: x8



H2: M6 x 50mm  
Qty: x8



H4: M4 x 106mm Allen key  
Qty: x1



# Tools required

Please check you have all these below:



Flathead  
screwdriver



Scissors



Spanner



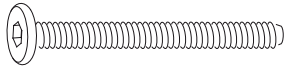
Tape measure



Cross head  
screwdriver

# COT BED ASSEMBLY

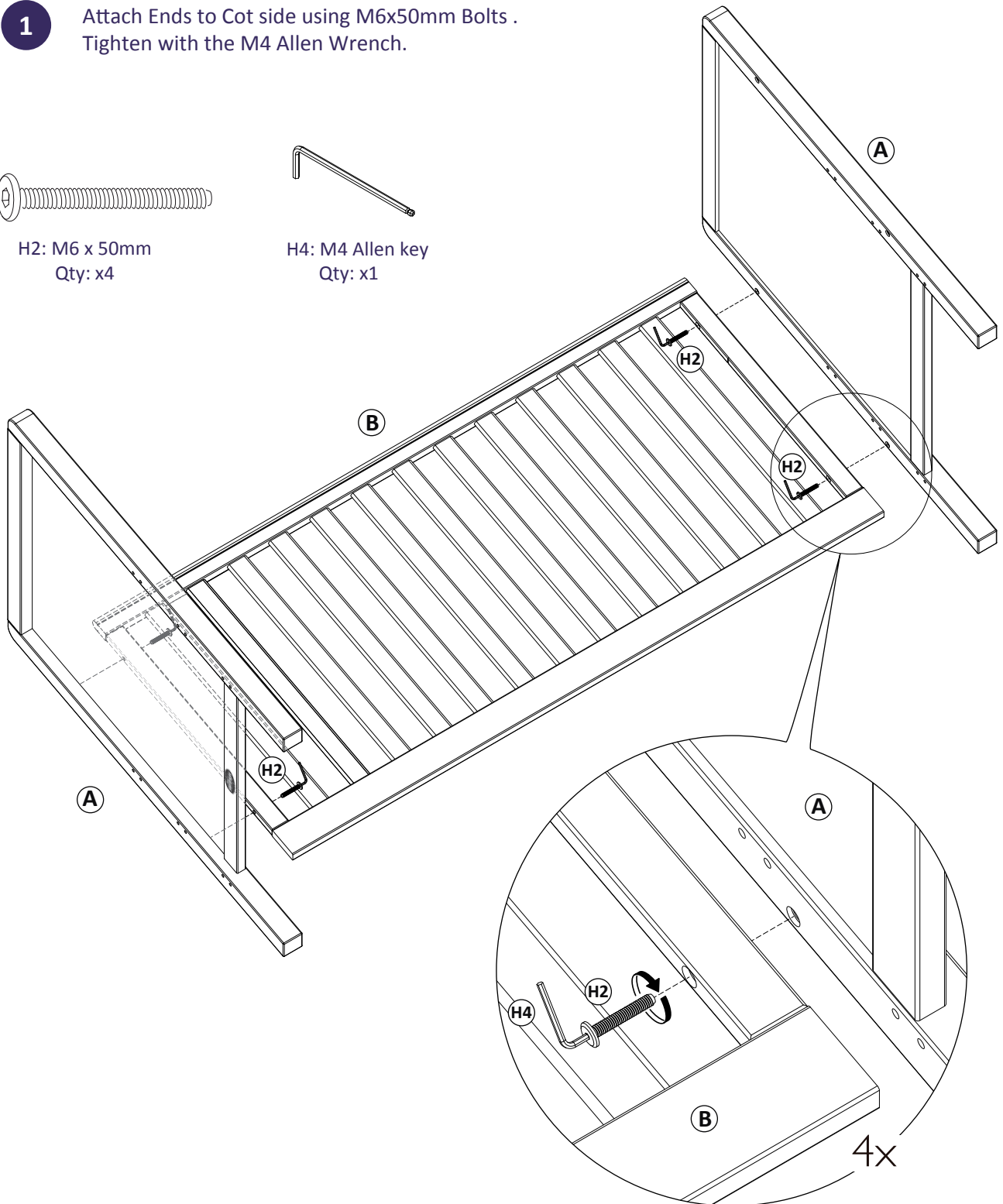
- 1 Attach Ends to Cot side using M6x50mm Bolts .  
Tighten with the M4 Allen Wrench.



H2: M6 x 50mm  
Qty: x4

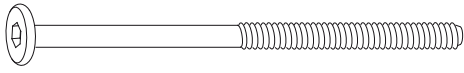


H4: M4 Allen key  
Qty: x1



# COT BED ASSEMBLY

**2** Attach Base to Ends using M6x85mm Bolts and M6x15mm Barrel Nuts. Tighten with the M4 Allen Wrench.



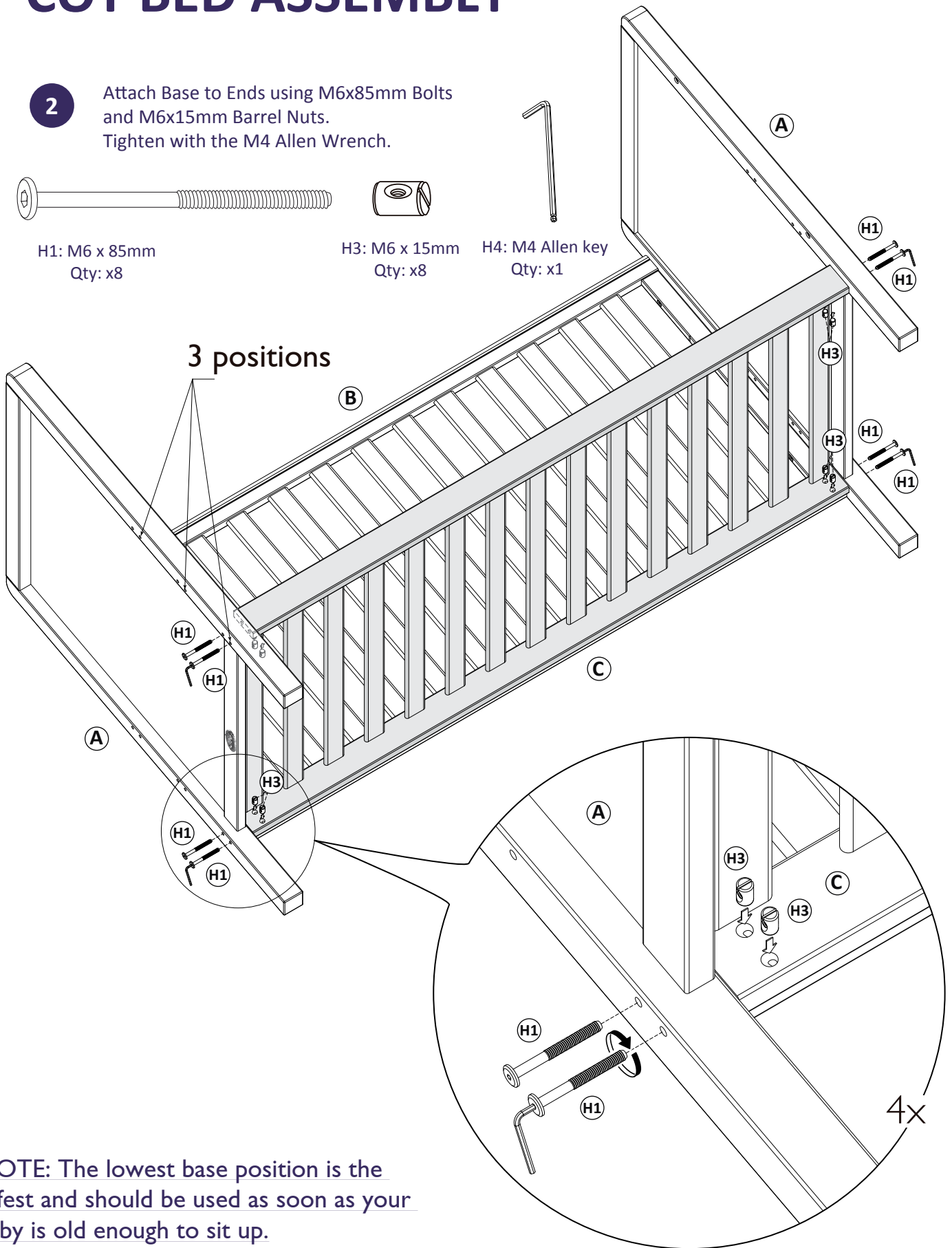
H1: M6 x 85mm  
Qty: x8



H3: M6 x 15mm  
Qty: x8



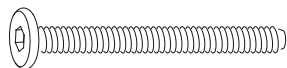
H4: M4 Allen key  
Qty: x1



**NOTE:** The lowest base position is the safest and should be used as soon as your baby is old enough to sit up.

# COT BED ASSEMBLY

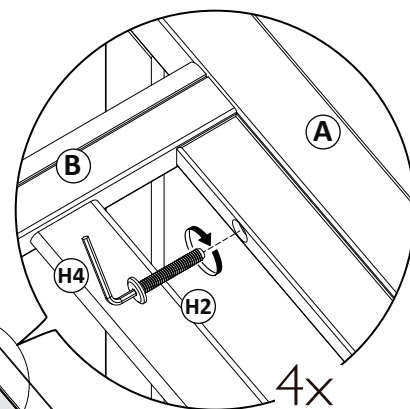
- 3** Attach Ends to Cot side using M6x50mm Bolts .  
Tighten with the M4 Allen Wrench.



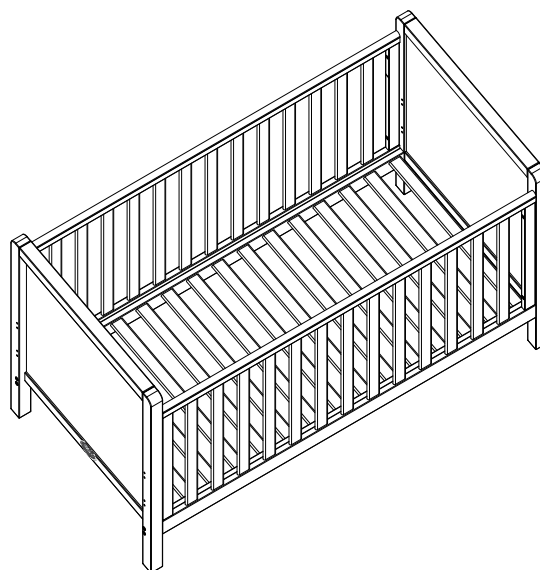
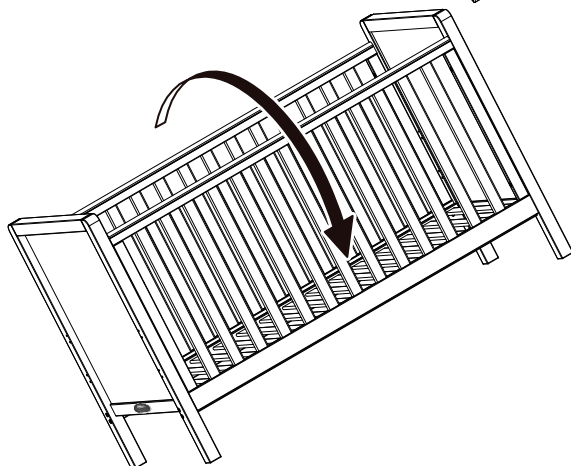
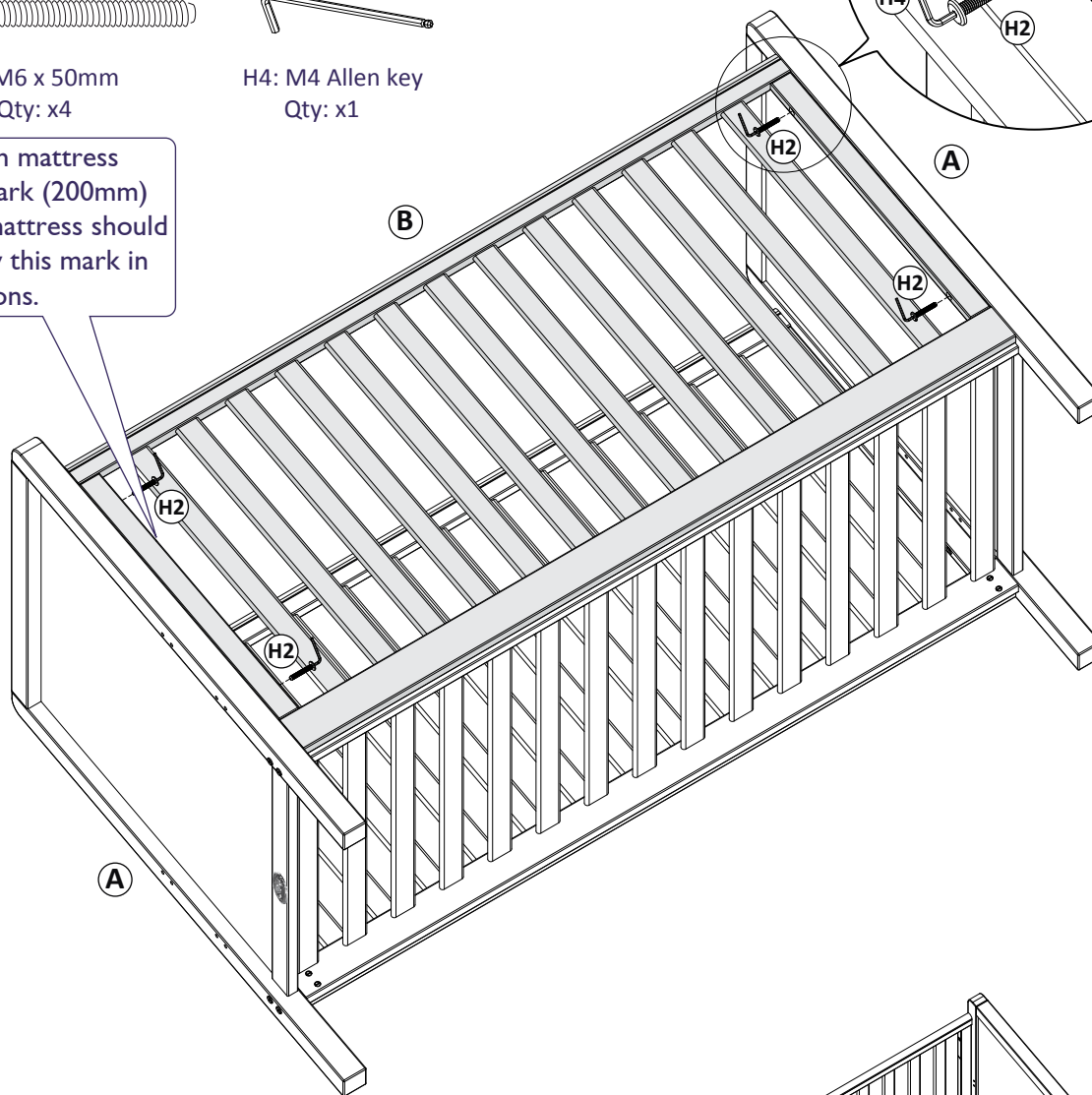
H2: M6 x 50mm  
Qty: x4



H4: M4 Allen key  
Qty: x1



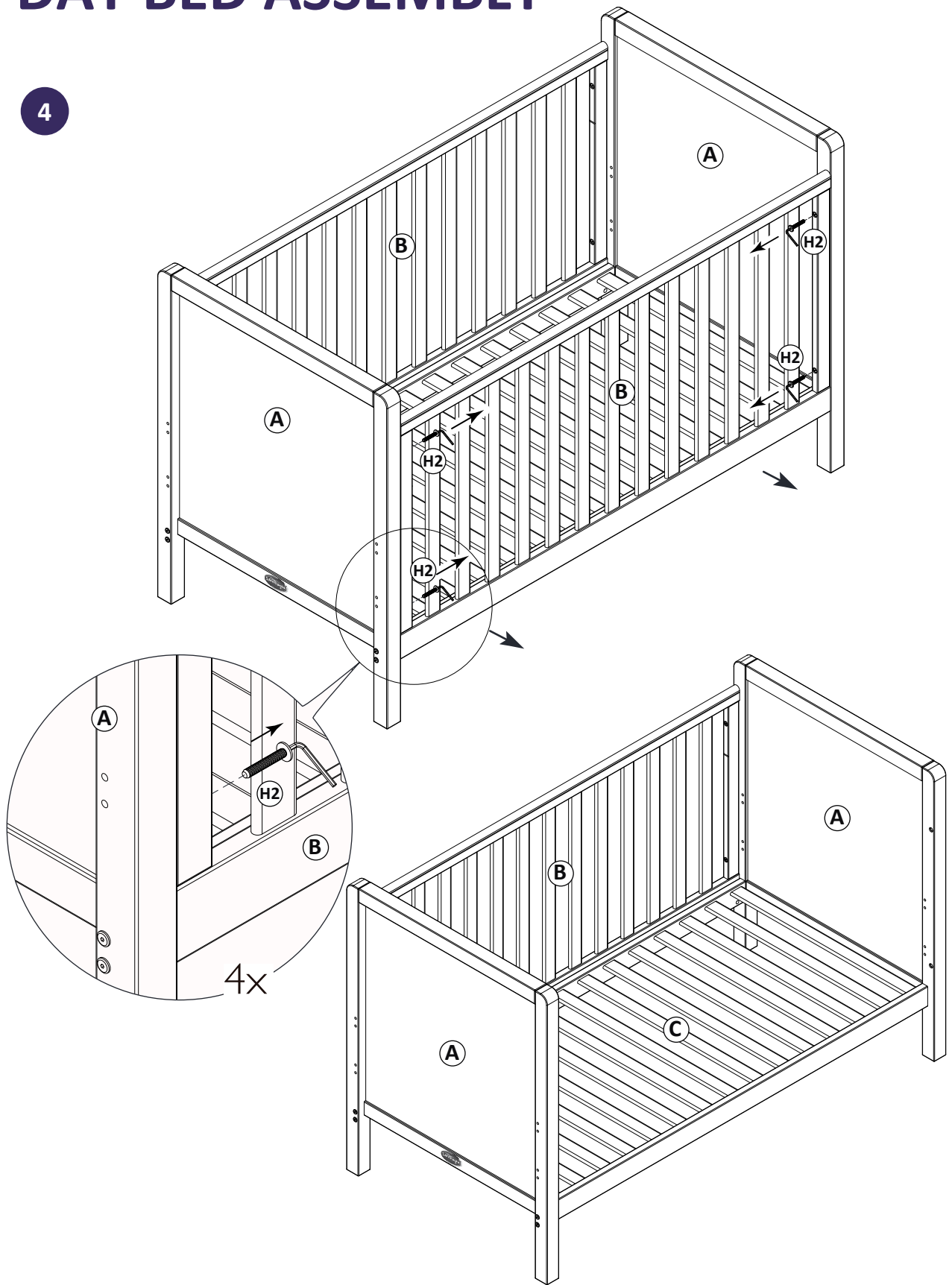
Maximum mattress  
height mark (200mm)  
Top of mattress should  
be below this mark in  
all positions.





# DAY BED ASSEMBLY

4

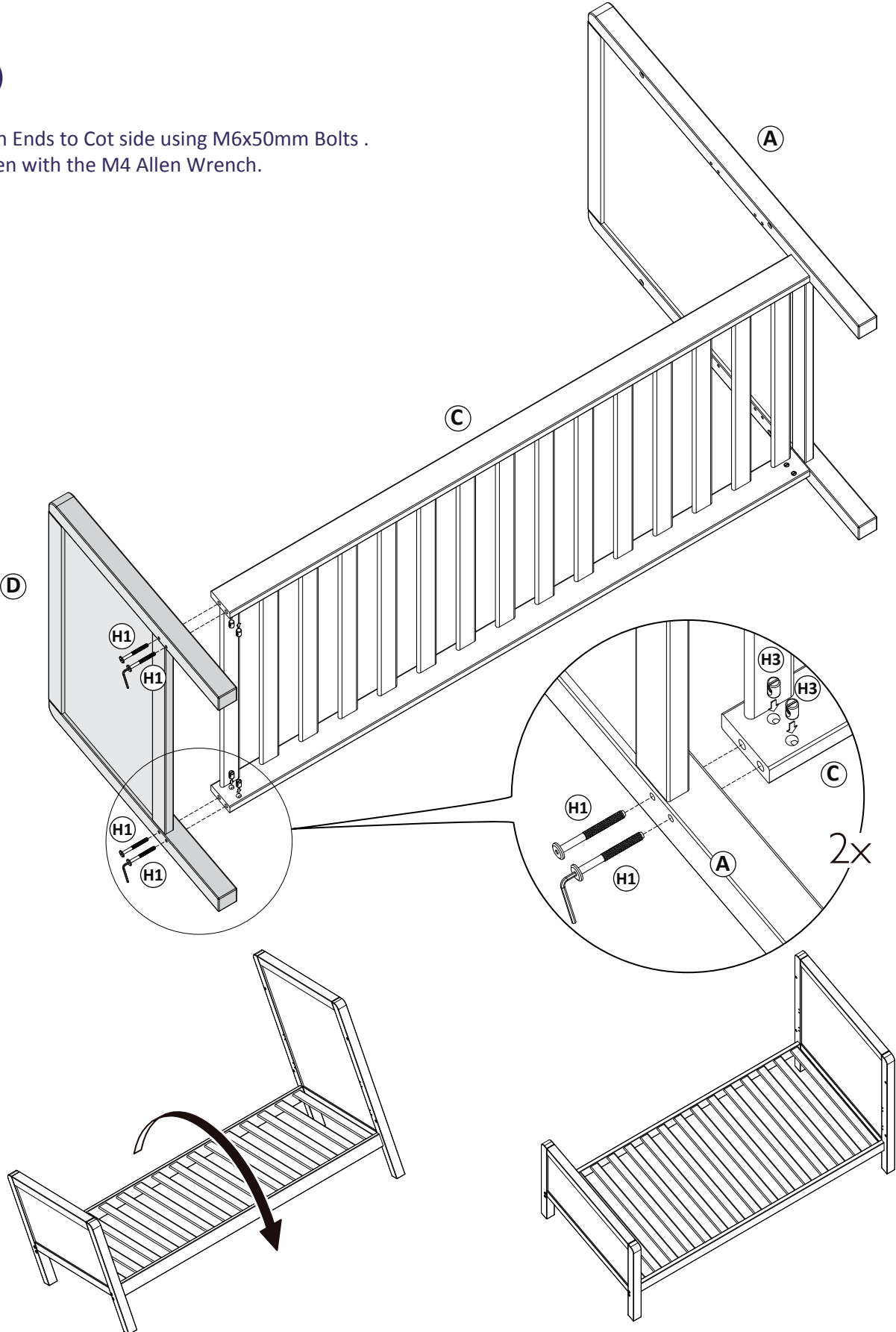


One side of the cot can be removed to enable conversion into a Cot bed/Day bed. This could start to be suitable for your child from 18 months at the earliest, up to a maximum of 4 years.

# TODDLER BED ASSEMBLY

5

Attach Ends to Cot side using M6x50mm Bolts .  
Tighten with the M4 Allen Wrench.



# Safety notes

When converted into a toddler bed, this product is suitable for children aged from 18 months up to 4 years old.

Warning: Do not place this child's bed near heat sources, windows and other furniture.

Warning: Do not use this child's bed if any part is broken, torn or missing.

The mattress should be no more than 30mm shorter or narrower than the internal length or width of the bed. Suitable for use with a mattress of 1400mm in length, 700mm in width and a maximum thickness of 100mm.

Furniture can be dangerous if incorrectly installed. Assembly should be carried out by a competent person.

All assembly fixings should always be tightened properly. Periodically check all fixings to ensure none have come loose, and that there is no risk of clothing or parts of the body becoming snagged or trapped.

Do not allow your child to jump on the bed. This may result in damage to the furniture and/or injury to your child.

Children are likely to play, bounce, jump & climb on beds, therefore the child's bed should not be placed too close to other furniture or windows, and should be placed either tight to any wall or have a gap of 300mm between the wall and the side of the bed.

Keep children clear during assembly as pack contains small parts which may present a choking hazard. Never drag furniture when moving it, always lift it.

Please take care when handling or moving the furniture as careless handling may cause damage or injury.

No liability will be accepted for damage or injury caused by incorrectly installed or assembled furniture. Retain this information leaflet for future reference.

# Care and maintenance

Here are some tips to keep your new bed in tip-top condition



## Cleaning

To clean your new bed, we'd advise using a warm damp cloth - please do not use abrasive chemicals or bleach as this may damage the product.



## Checking and moving

Periodically we recommend you check that the screws or fixtures haven't become loose, over time. To move your new bed, we recommend lifting it where possible, as dragging or pushing it could cause damage to your flooring.



## Wood

Please note each of our wooden pieces are unique, meaning that markings and shade can vary slightly between beds. Over a period of time, the wood might lighten or fade slightly due to light exposure.



## Fabric

Please note depending on the lighting, positioning and surroundings of your room, the shade of the colour can some times appear slightly different. Over a period of time, the colour might lighten or fade slightly due to light exposure.



## Metal

Metal tends to be more resilient to everyday wear and tear. We recommend to gently dust your metal furniture and keep it dry to maintain its look.

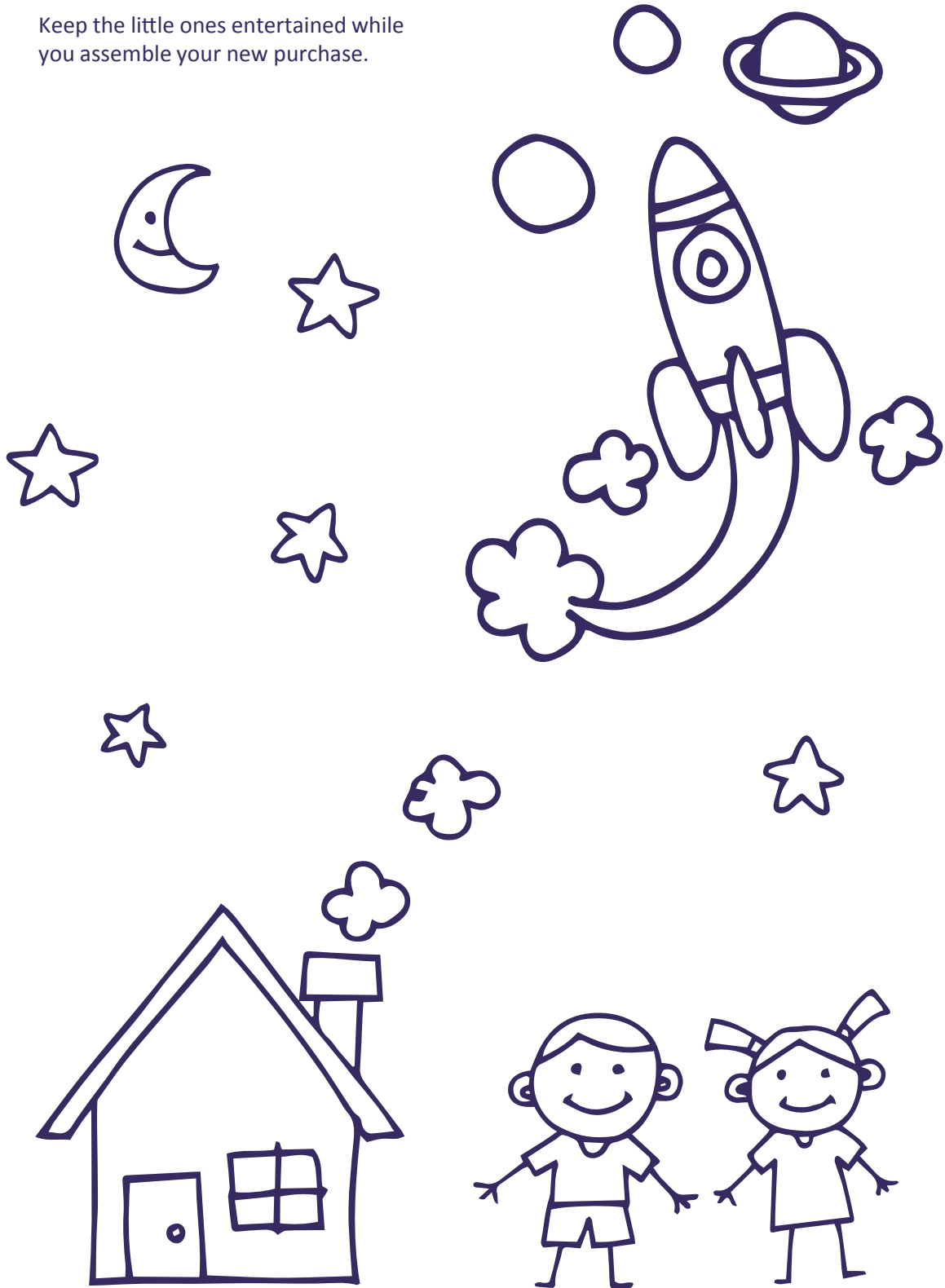
**Thank you for shopping with us - we hope you have a great night's sleep**

*Sleep well*



# Little dreamers

Keep the little ones entertained while you assemble your new purchase.



# Dreams

