

KOKO SILENTNIGHT CHANGER



IMPORTANT RETAIN FOR FUTURE REFERENCE READ CAREFULLY



1 hour approx
assembly time



Two person
assembly

Dreams



Thank you

Hello, Thank you for purchasing this Koko Silentnight Changer. Please read the instructions carefully before use to ensure safe and satisfactory operation of this product.

Recommended changing mat: 710mm x 470mm.

This product complies with BS EN 12221-1/2:2008 + A1:2013, EN 14749:2016+A1:2022 and BS 4875-7:2006.



Assembly tips

Before you begin, it's best to identify all parts and fittings to build your silentnight changer.

We advise laying these out on the floor to check you have everything, and familiarising yourself before building.



Top tip

Ensure that the wall strap is used to securely attach the changer to the wall to prevent tipping. Any additional or replacement parts must only be obtained from dreams & Partners.



Safety and care

The product should only be used on firm, level ground. Keep small parts out of reach of children. Ensure the product is fully assembled as illustrated before use. Care should be taken that no screws are loose because a child could trap parts of their body, or clothing (e.g. strings, necklaces, ribbons, dummies, etc) which could pose a risk of strangulation.



Help and support

At Dreams, it's our mission to give the whole nation a great night's sleep – this means that the quality of our products is of utmost importance to us. If there are any issues with your product or any missing parts, please visit our website at www.dreams.co.uk/help



Recycling

Please ensure that packaging is disposed of in a safe and environmentally friendly way, and recycle where possible. Our assembly instructions are printed on recycled paper. Please keep your assembly instructions safe to refer back to in the future.

Safety Warnings

Your child's safety may be affected if you do not follow these instructions.

Assembly should be carried out by a competent adult only.

WARNING: Installation shall be carried out exactly according to the manufacturer's instructions otherwise a safety risk can occur if incorrectly installed.

WARNING: Do not leave the child unattended.

WARNING: In order to prevent tipping this product must be used with the wall attachment devices provided. Serious or fatal crushing injuries can occur from furniture tipping over.

- The changing unit must be used on a level and stable surface.
- Never move the changing unit with the child on it.
- Be aware of the risk of open fire and other sources of heat, such as electric bar fires, gas fires, etc. in the near vicinity of the changing unit.
- Do not use the dresser if any part is broken or missing. Use only spare parts approved by the manufacturer.
- We recommend you use a changing mat with maximum dimension of 71 cm X47cm placing the mat evenly inside the changing unit.
- The changing surface is designed for use from birth until 12 months, max weight 11 kgs
- All assembly fittings should be tightened properly and care should be taken to ensure that no screws are loose, as a child could trap parts of the body, or clothing (e.g.ribbons, drawstrings, necklaces) this could lead to strangulation.
- Regularly check that all fittings and components of the dresser are fully tightened and in working order.
- Wood is a natural material, the colour will darken with age.
- During assembly children should be kept away from the product due to possible risk of injury.
- This product is not designed to be disassembled once built.

Due to constant updating and improvements, some components may occasionally differ slightly from the images shown in these instructions. We reserve the rights to change the specifications of any products without prior notice. If you need any assistance please contact your dreams.co.uk retailer from whom you purchased your product, who will take appropriate action.

Warning

IN ORDER TO PREVENT TIPPING THIS PRODUCT MUST BE USED WITH THE WALL ATTACHMENT DEVICES PROVIDED.

Serious or fatal crushing injuries can occur from furniture tipping over, To help prevent tipping:

- Use the wall attachment devices provided
- Never allow children to climb or hang on drawers, doors or shelves
- Place heaviest items in the lower drawers or shelves
- Do not place TVs or other heavy objects on top of this product
- Never open more than one drawer at a time

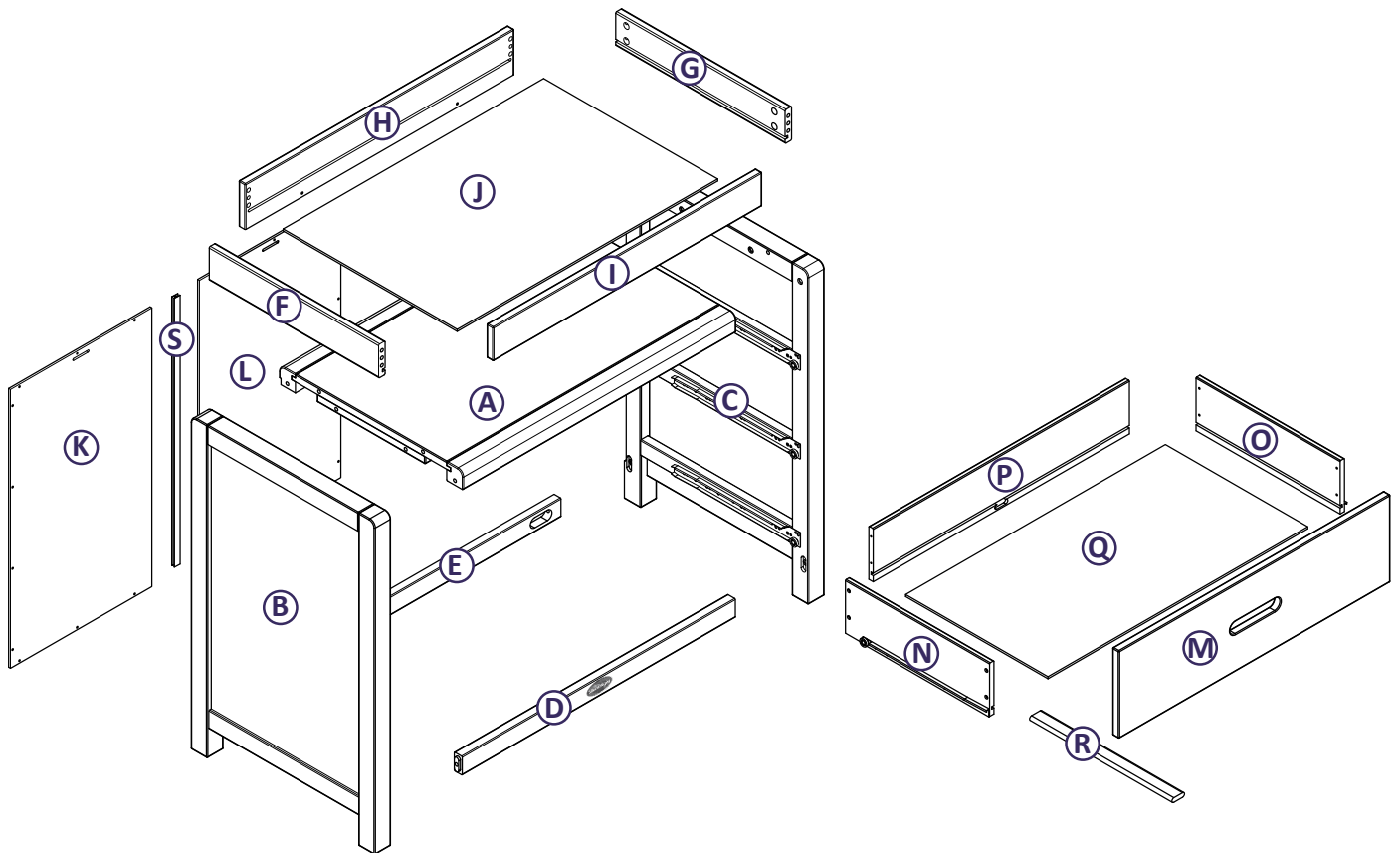
Attachment devices are provided with your product, however you will need to source suitable fixings for your wall type. If in doubt, please consult a qualified tradesperson. Always ensure the wall to be drilled is free from hidden electrical wires, water and gas pipes.

To prevent overloading we recommend the following maximum loads:

Top surface: 11kg

Drawers: 5kg

Parts

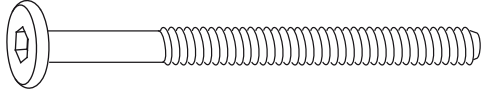


Parts list

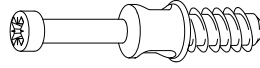
A.	Top panel	QTY	1	M.	Drawer front	QTY	3
B.	L/H side panel	QTY	1	N.	L/H drawer side panel	QTY	3
C.	R/H side panel	QTY	1	O.	R/H drawer side panel	QTY	3
D.	Bottom front rail	QTY	1	P.	Drawer back	QTY	3
E.	Bottom back rail	QTY	1	Q.	Drawer bottom panel	QTY	3
F.	L/H changer side	QTY	1	R.	Drawer base	QTY	3
G.	R/H changer side	QTY	1	S.	Back divider	QTY	1
H.	Changer back	QTY	1				
I.	Changer front	QTY	1				
J.	Changer bottom panel	QTY	1				
K.	L/H back panel	QTY	1				
L.	R/H back panel	QTY	1				

Fittings

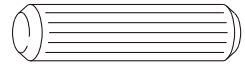
Please check you have all the parts listed below with your product:



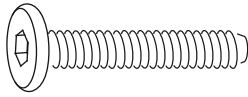
H1: M6 x 50mm
Qty: x8



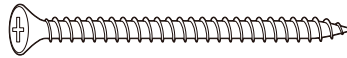
H5: 5mm x 24mm
Qty: x8



H10: 8mm x 30mm
Qty: x8



H2: M6 x 30mm
Qty: x4



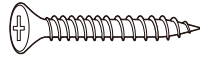
H6: 4.0mm x 45mm
Qty: x12



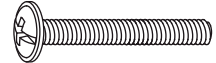
H11: 73 x 15 x 24mm
Qty: x2



H3: 25 x 15 x 6mm
Qty: x8



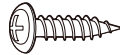
H7: 3.5mm x 25mm
Qty: x12



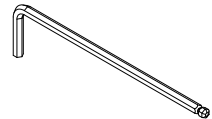
H12: 4 x 25mm
Qty: x2



H4: 15mm x 11mm
Qty: x8



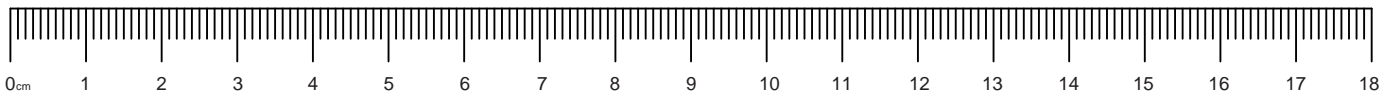
H8: 3.5mm x 16mm
Qty: x22



H13: M4 x 106mm Allen key
Qty: x1



H9: 9mm x 9mm
Qty: x12



Tools required

Please check you have all these below:



Flathead screwdriver



Scissors



Spanner



Tape measure

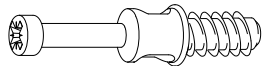


Cross head screwdriver

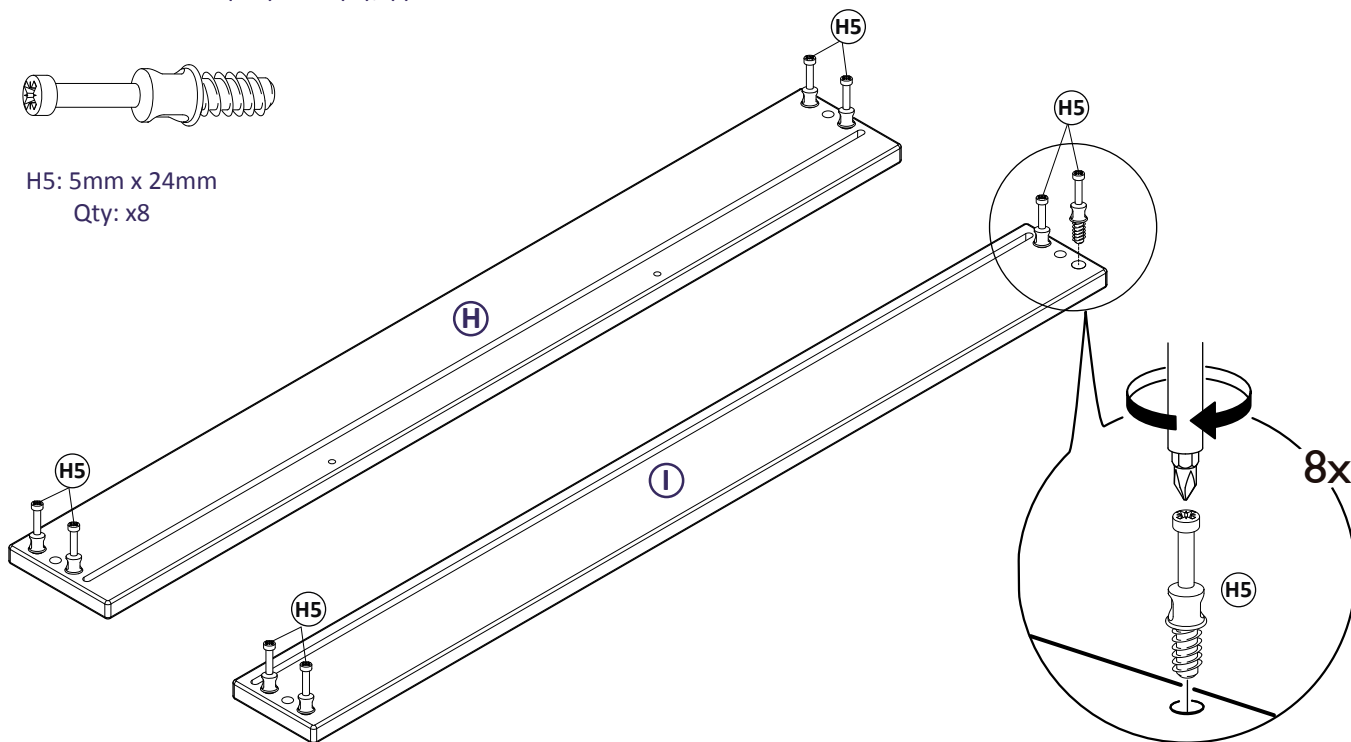
KOKO SILENTNIGHT CHANGER

1

Attach cam bolt (H5) into (H), (I) as illustrated.

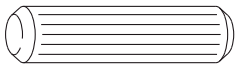


H5: 5mm x 24mm
Qty: x8



KOKO SILENTNIGHT CHANGER

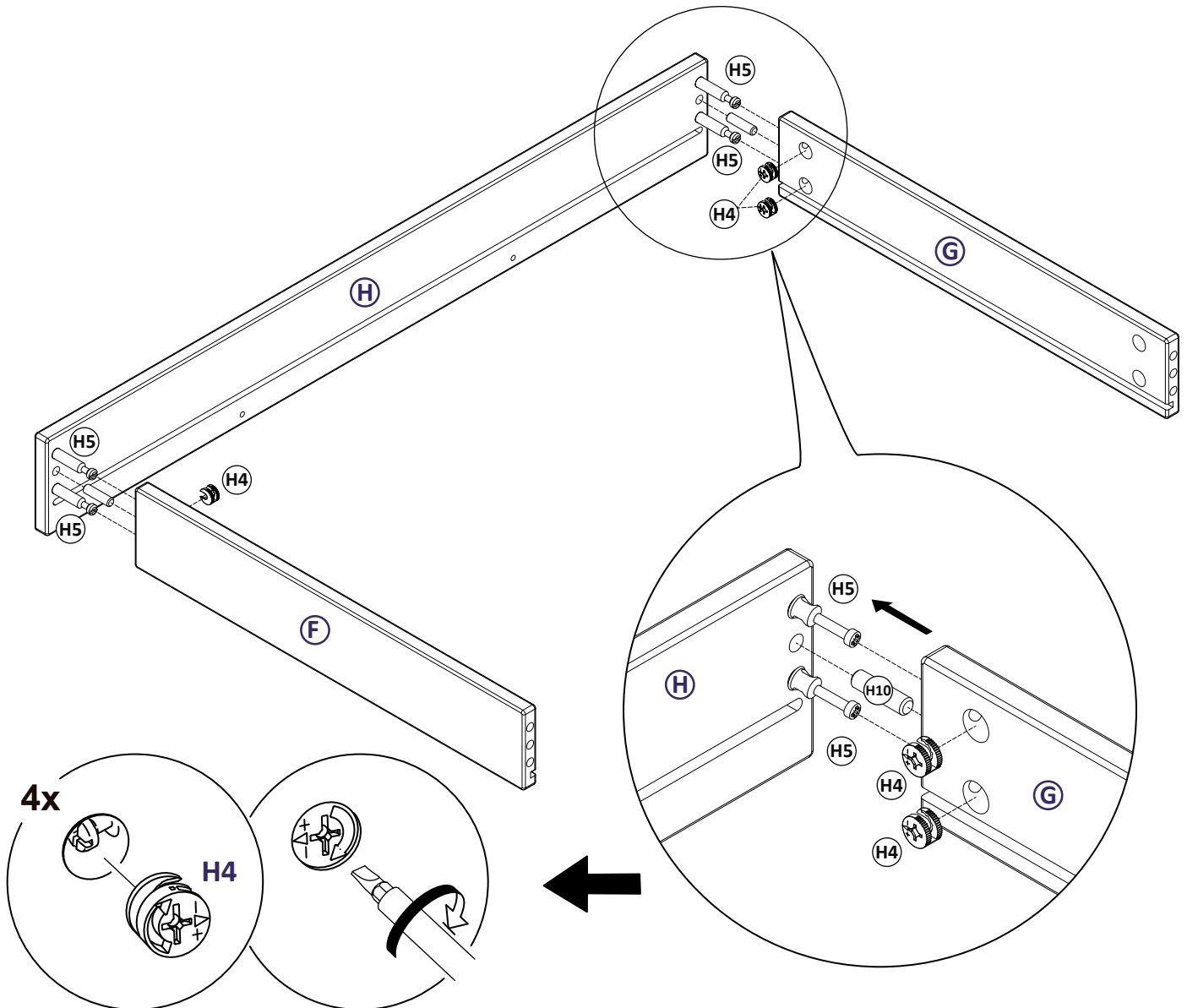
2



H10: 8mm x 30mm
Qty: x2

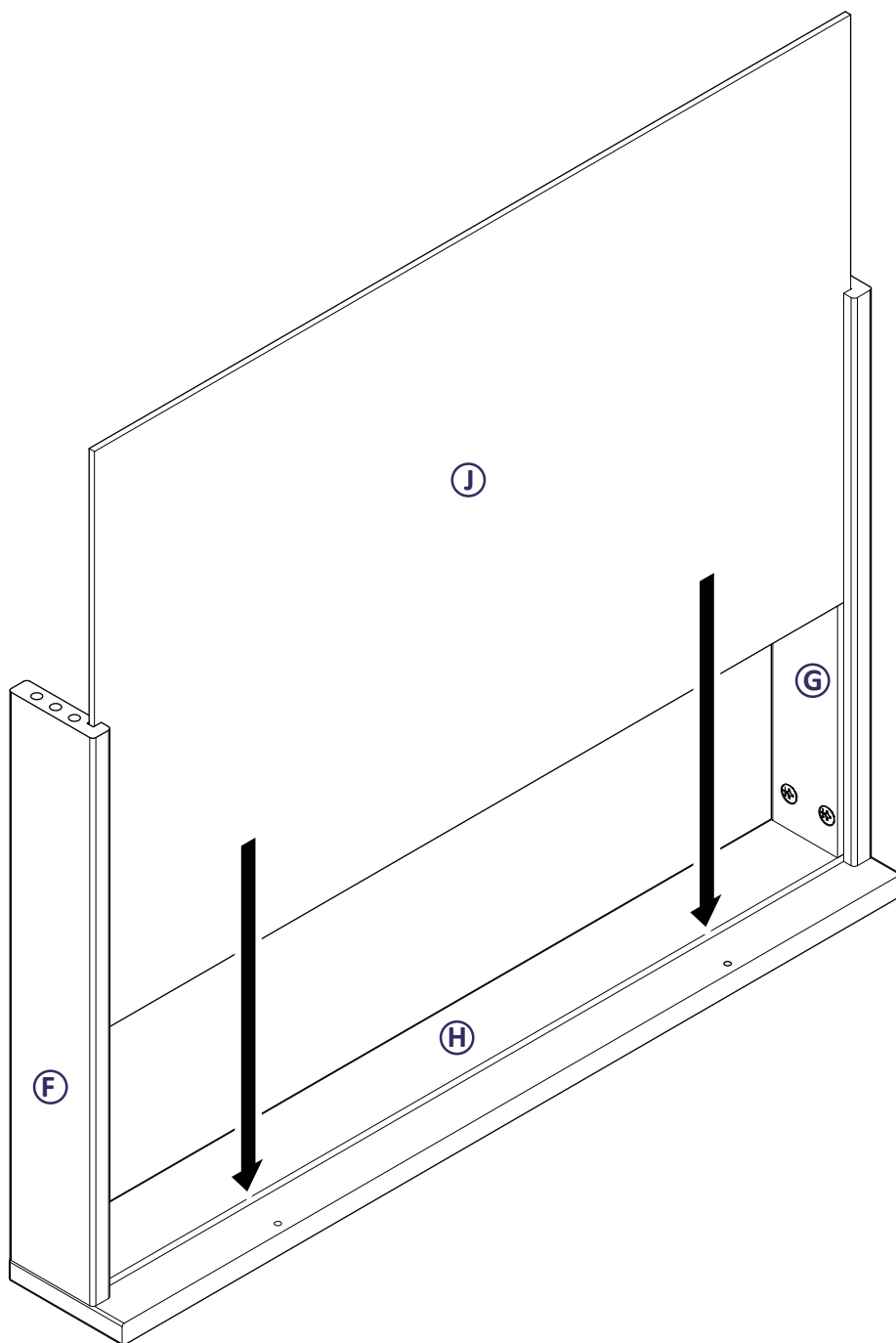


H4: 15mm x 11mm
Qty: x4



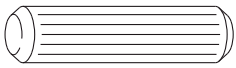
KOKO SILENTNIGHT CHANGER

3



KOKO SILENTNIGHT CHANGER

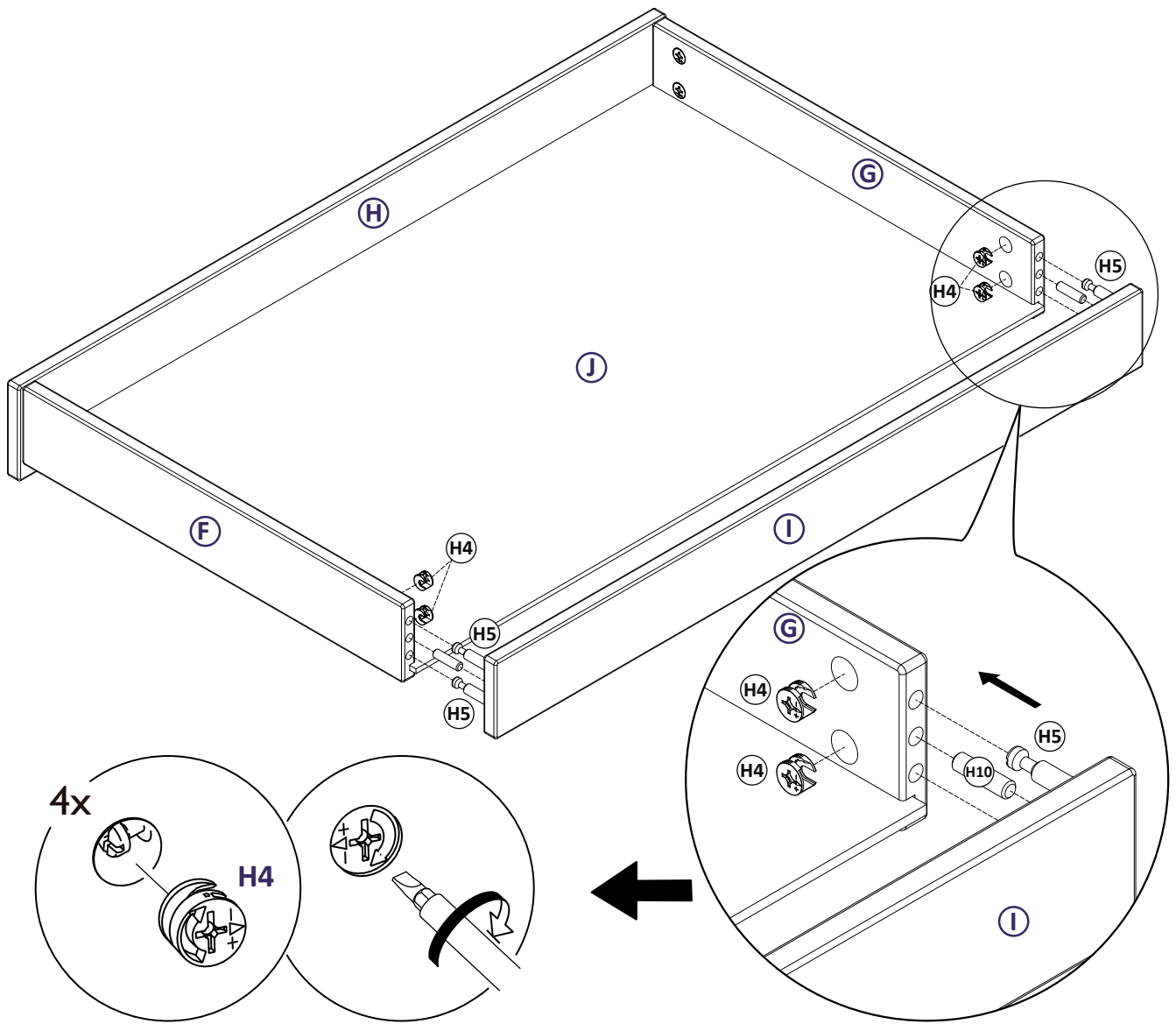
4



H10: 8mm x 30mm
Qty: x2



H4: 15mm x 11mm
Qty: x4

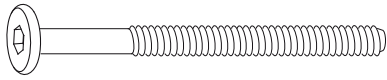


KOKO SILENTNIGHT CHANGER

5



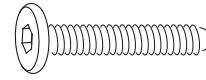
H10: 8mm x 30mm
Qty: x2



H1: M6 x 50mm
Qty: x4



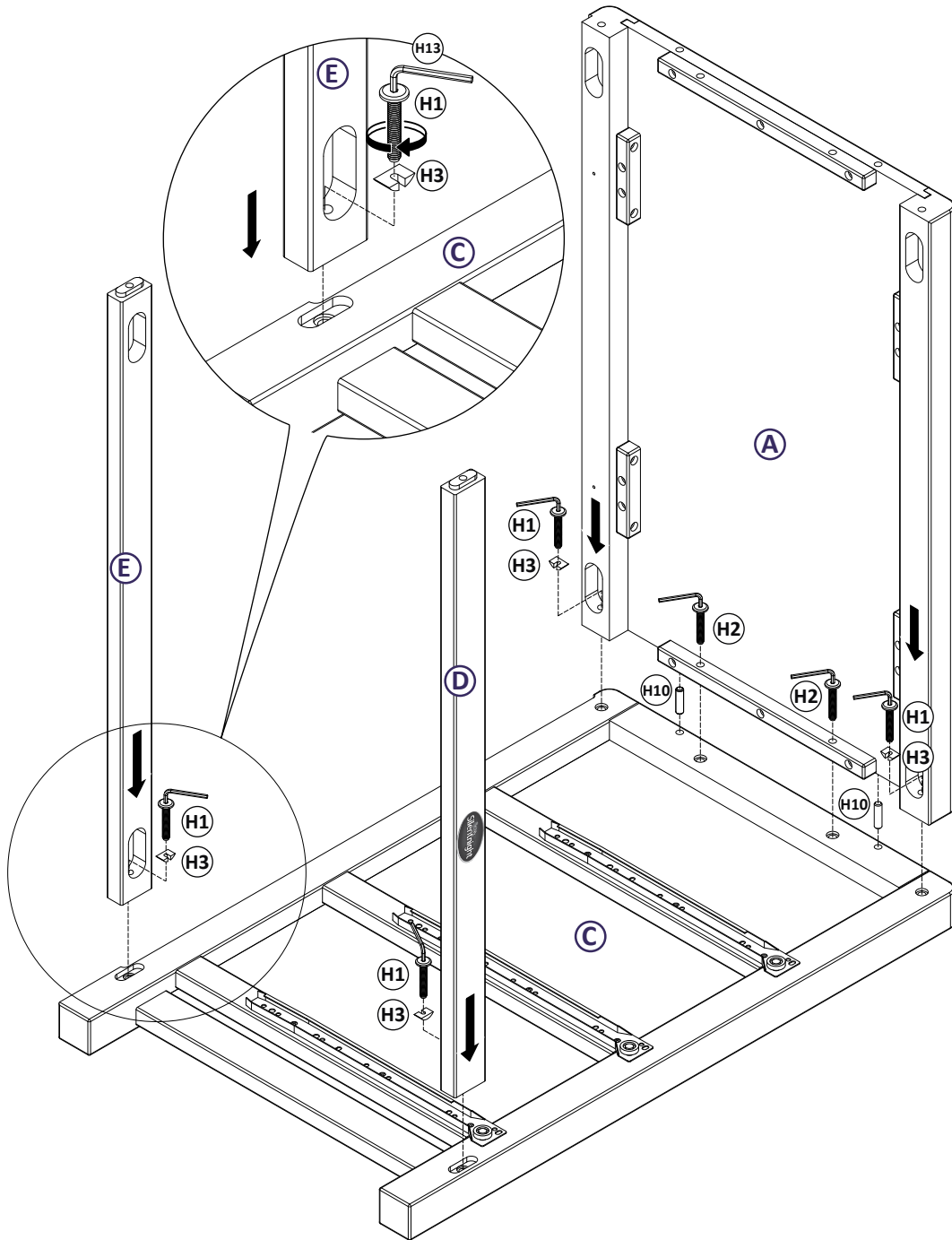
H3: 25 x 15 x 6mm
Qty: x4



H2: M6 x 30mm
Qty: x2



H13: M4 Allen key
Qty: x1

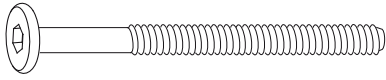


KOKO SILENTNIGHT CHANGER

6



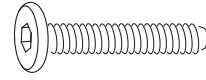
H10: 8mm x 30mm
Qty: x2



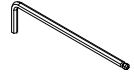
H1: M6 x 50mm
Qty: x4



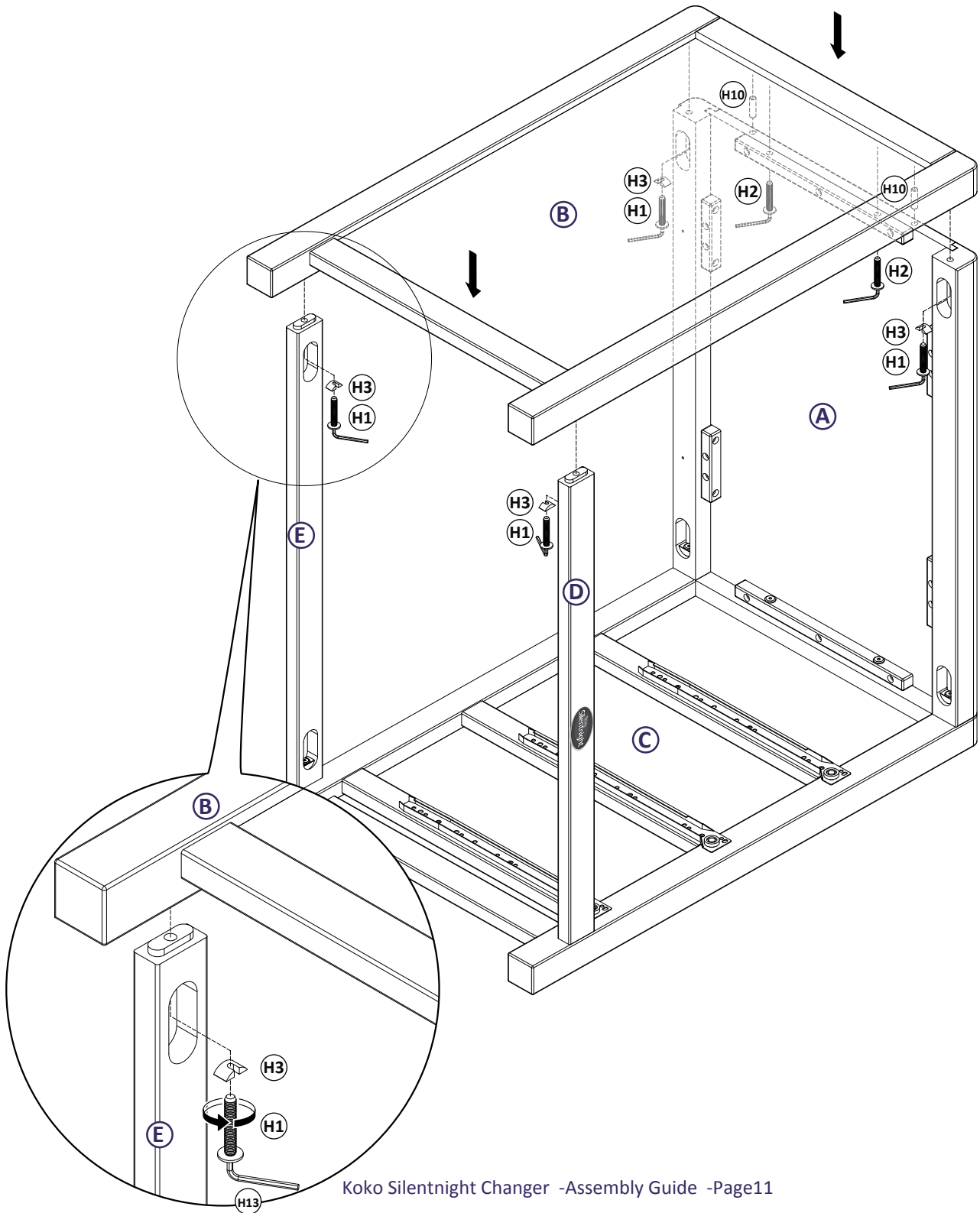
H3: 25 x 15 x 6mm
Qty: x4



H2: M6 x 30mm
Qty: x2

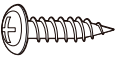


H13: M4 Allen key
Qty: x1

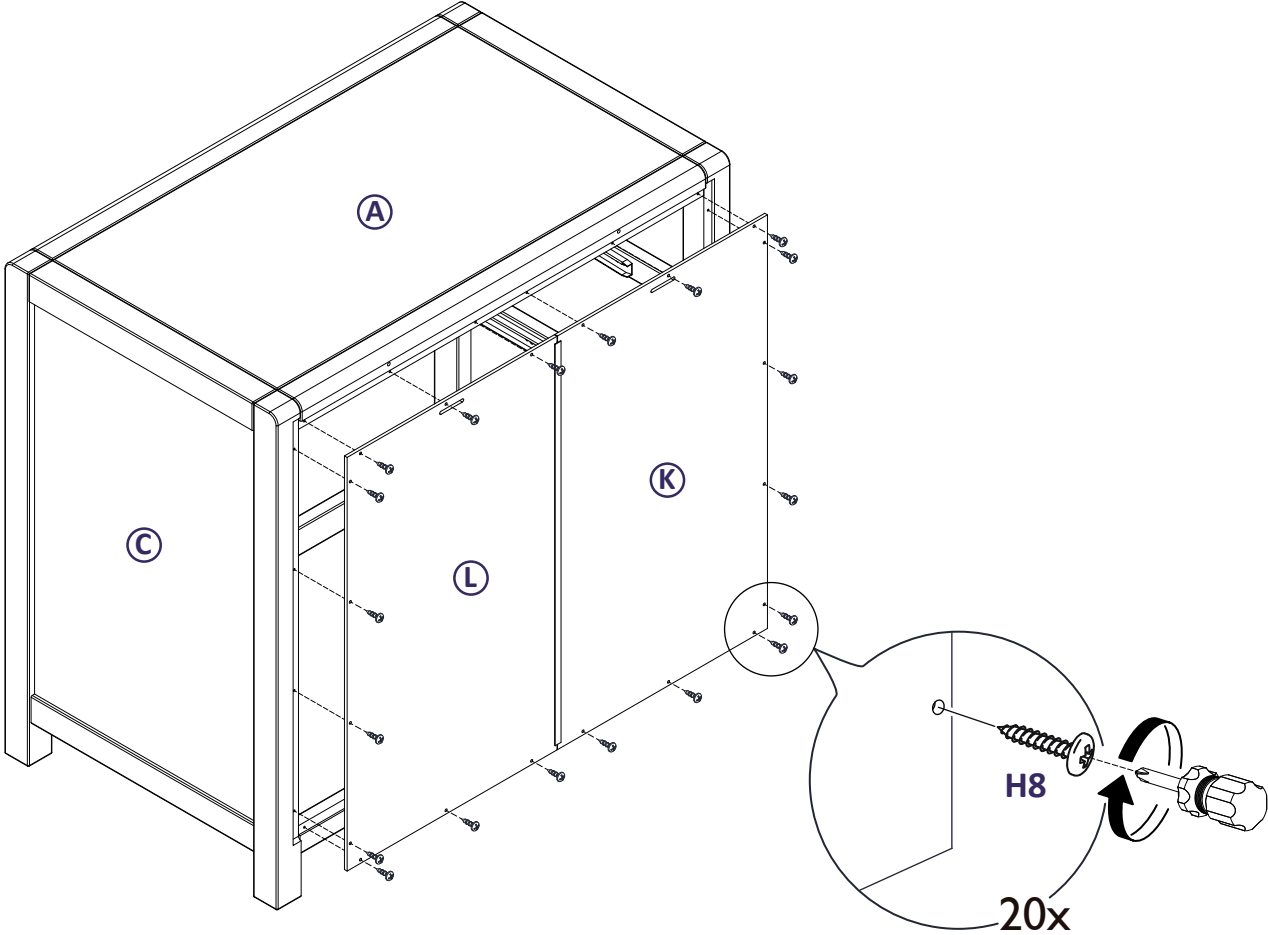
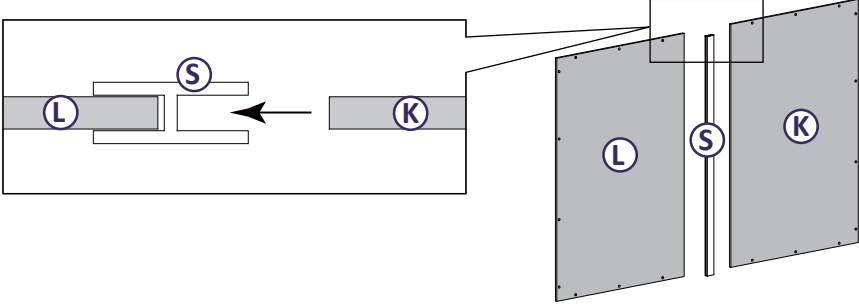


KOKO SILENTNIGHT CHANGER

7

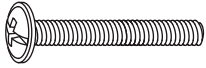


H8: 3.5mm x 16mm
Qty: x20

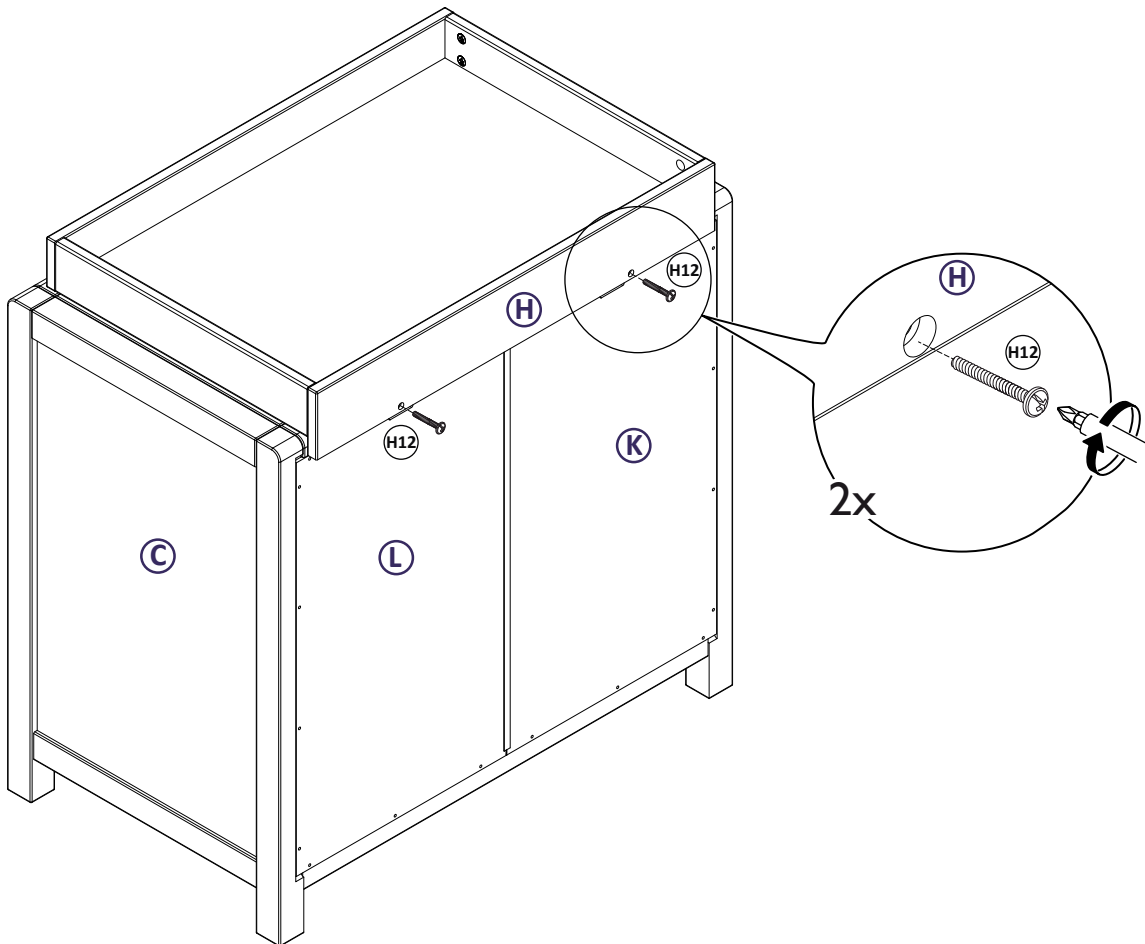
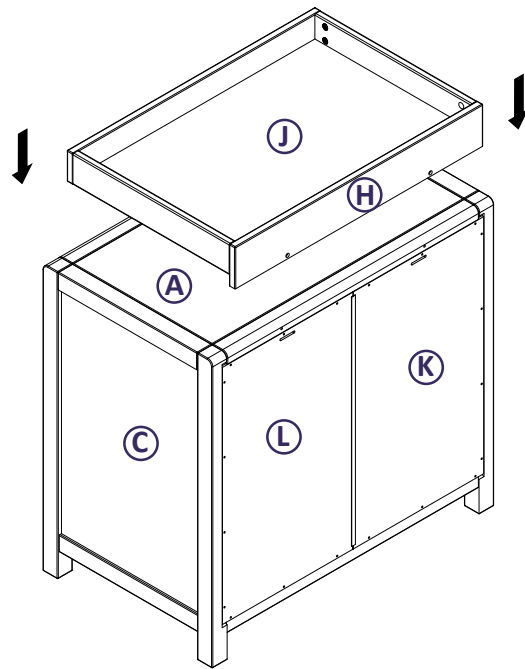


KOKO SILENTNIGHT CHANGER

8



H12: 4 x 25mm
Qty: x2

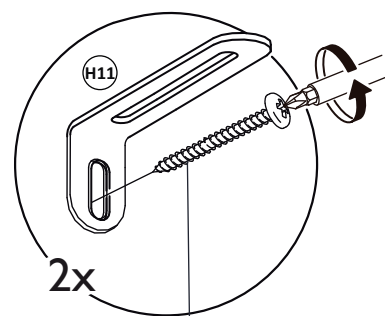
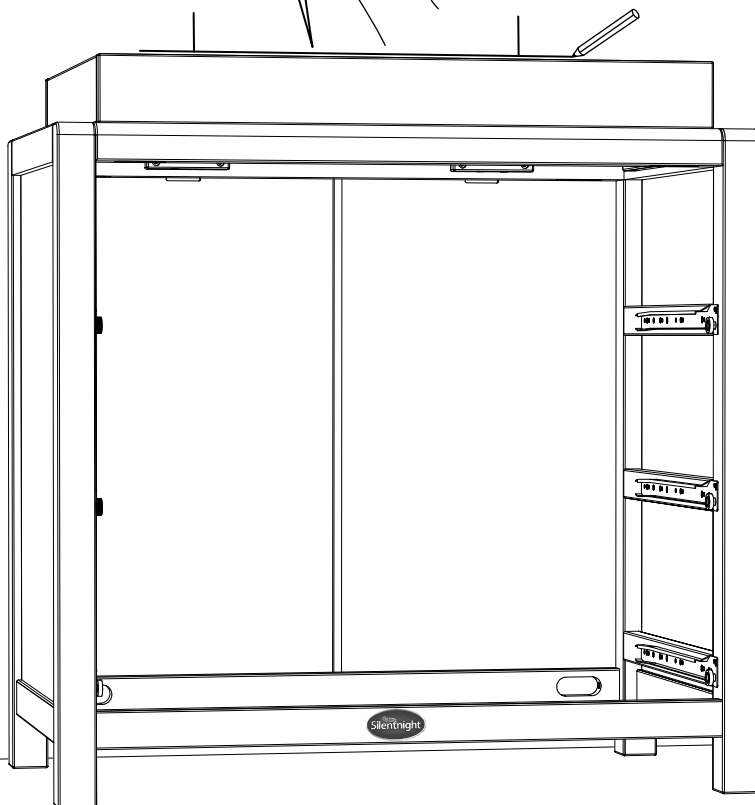
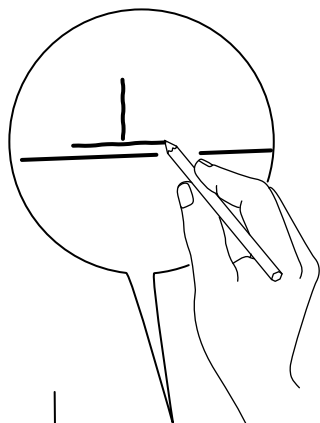
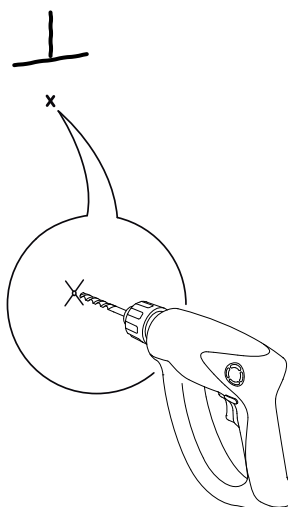
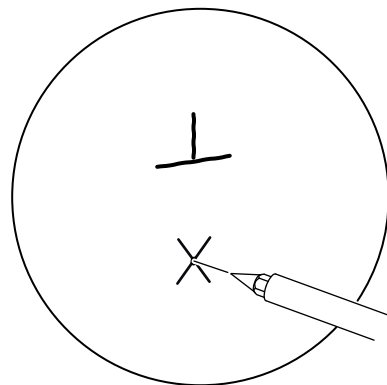
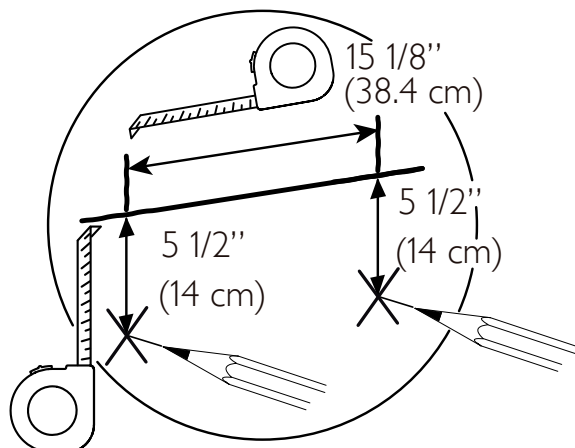


KOKO SILENTNIGHT CHANGER

9



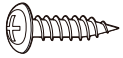
H11: 73 x 15 x 24mm
Qty: x2



Wall fixing screws are not included

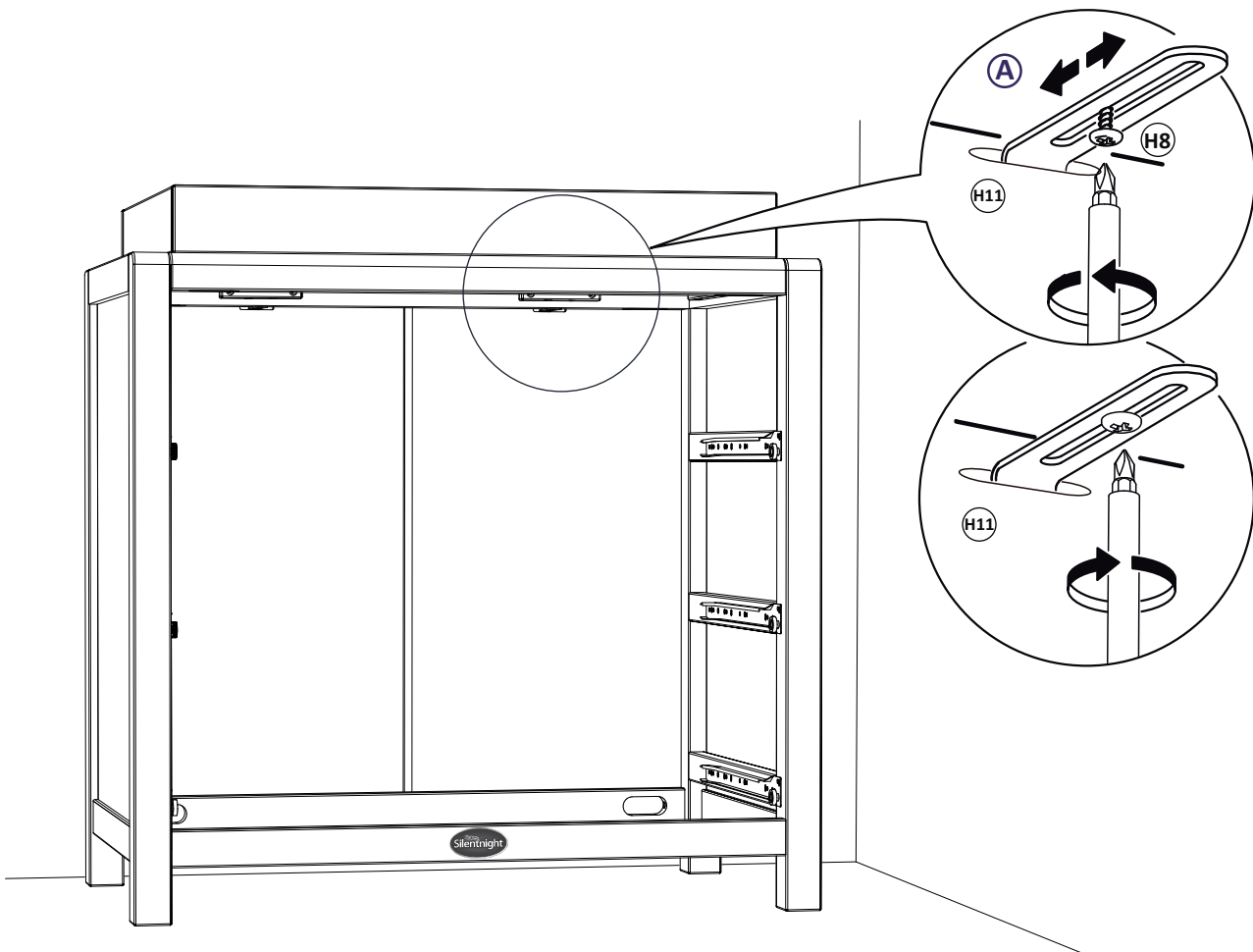
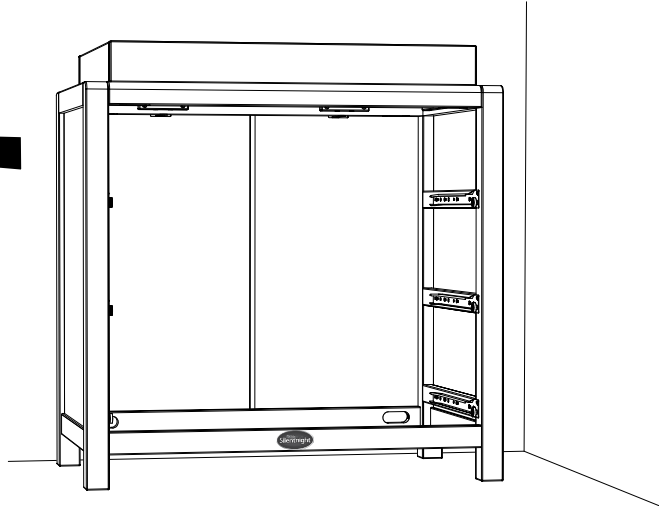
KOKO SILENTNIGHT CHANGER

10



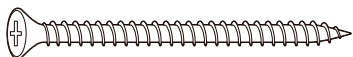
H8: 3.5mm x 16mm
Qty: x2

H11



KOKO SILENTNIGHT CHANGER

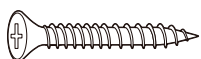
11



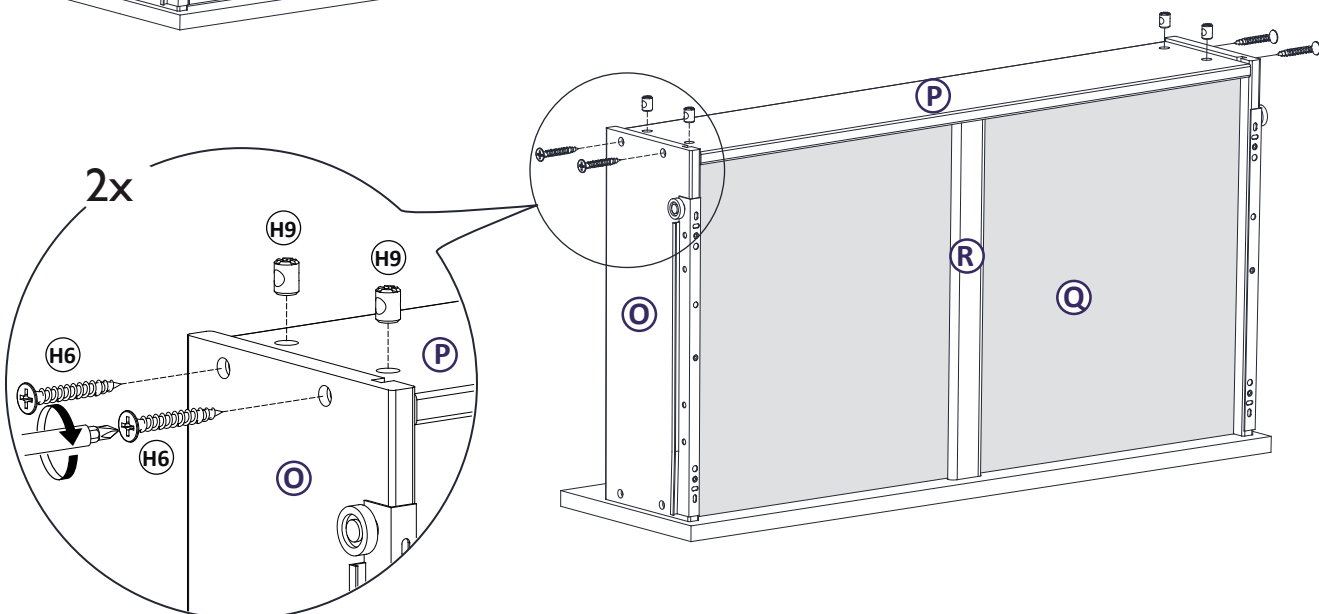
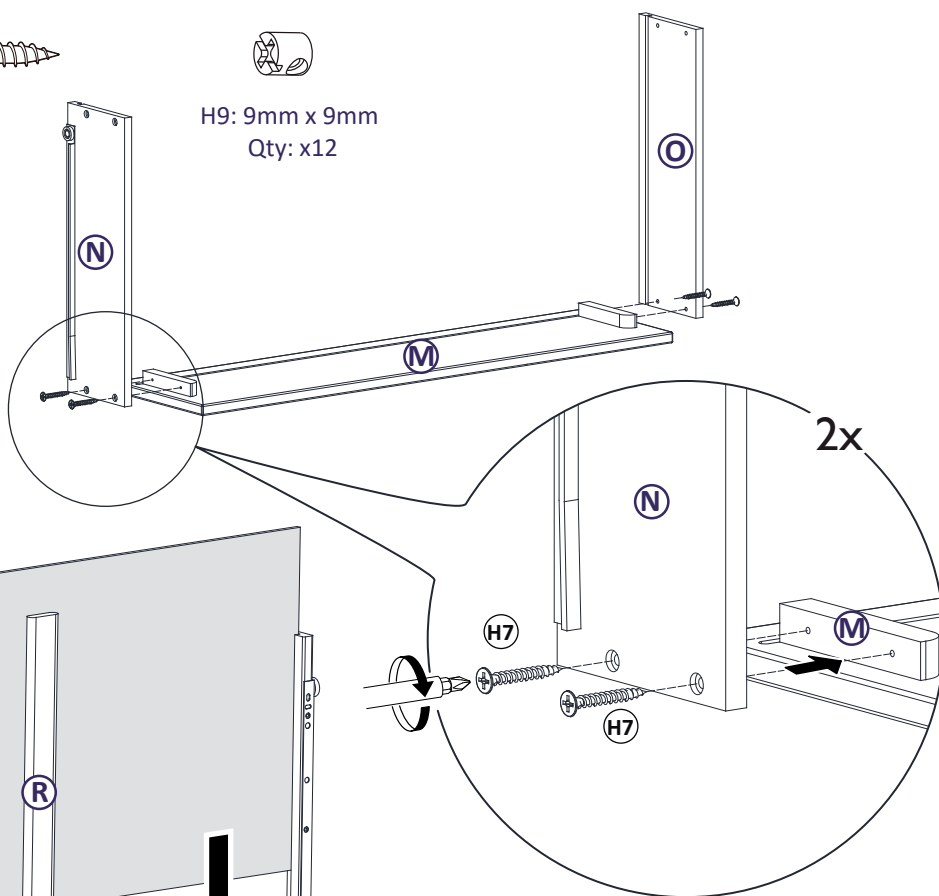
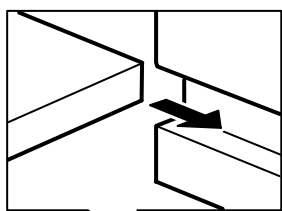
H6: 4.0mm x 45mm
Qty: x12



H9: 9mm x 9mm
Qty: x12



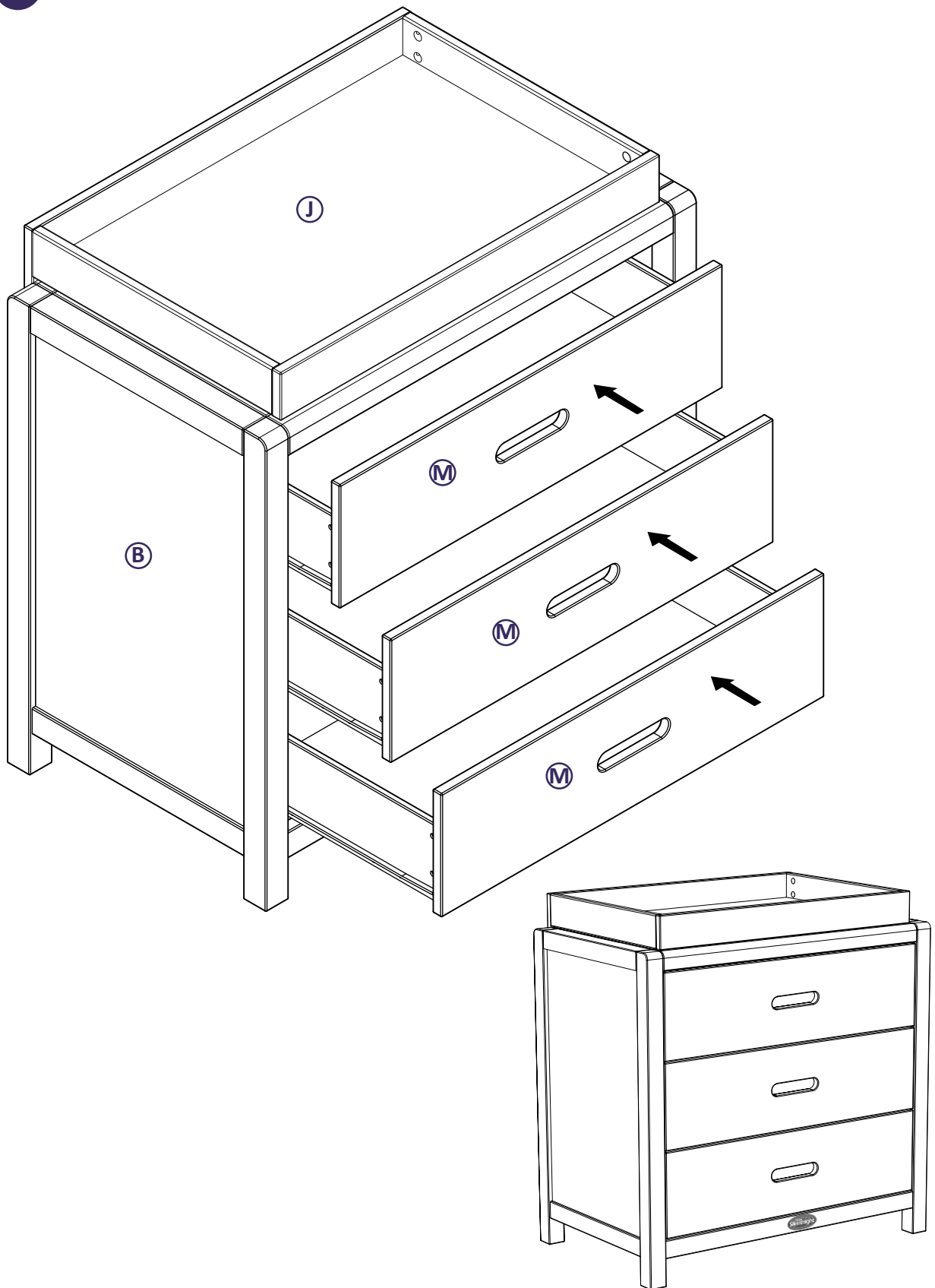
H7: 3.5mm x 25mm
Qty: x12



(NOTE: Repeat for remaining drawers)

KOKO SILENTNIGHT CHANGER

12



Care and maintenance

Here are some tips to keep your new changer in tip- top condition



Cleaning

To clean your new changer, we'd advise using a warm damp cloth - please do not use abrasive chemicals or bleach as this may damage the product.



Checking and moving

Periodically we recommend you check that the screws or fixtures haven't been become loose, over time. To move your new changer, we recommend lifting it where possible, as dragging or pushing it could cause damage to your flooring.



Wood

Please note each of our wooden pieces are unique, meaning that markings and shade can vary slightly between changer. Over a period of time, the wood might lighten or fade slightly due to light exposure.



Fabric

Please note depending on the lighting, positioning and surroundings of your room, the shade of the colour can sometimes appear slightly different. Over a period of time, the colour might lighten or fade slightly due to light exposure.



Metal

Metal tends to be more resilient to everyday wear and tear. We recommend to gently dust your metal furniture and keep it dry to maintain its look.

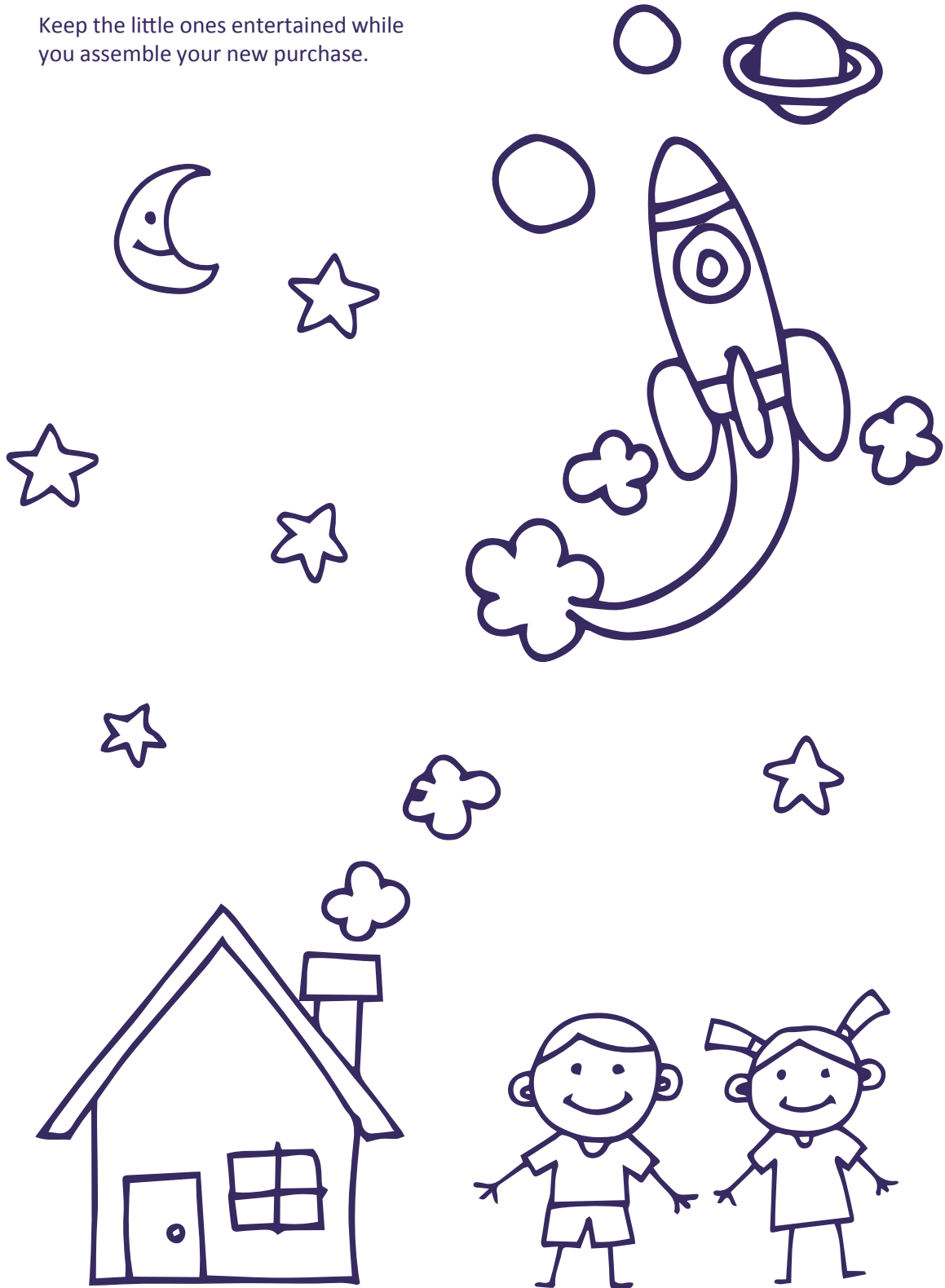
Thank you for shopping with us - we hope you have a great night's sleep

Sleep well



Little dreamers

Keep the little ones entertained while you assemble your new purchase.



Dreams

