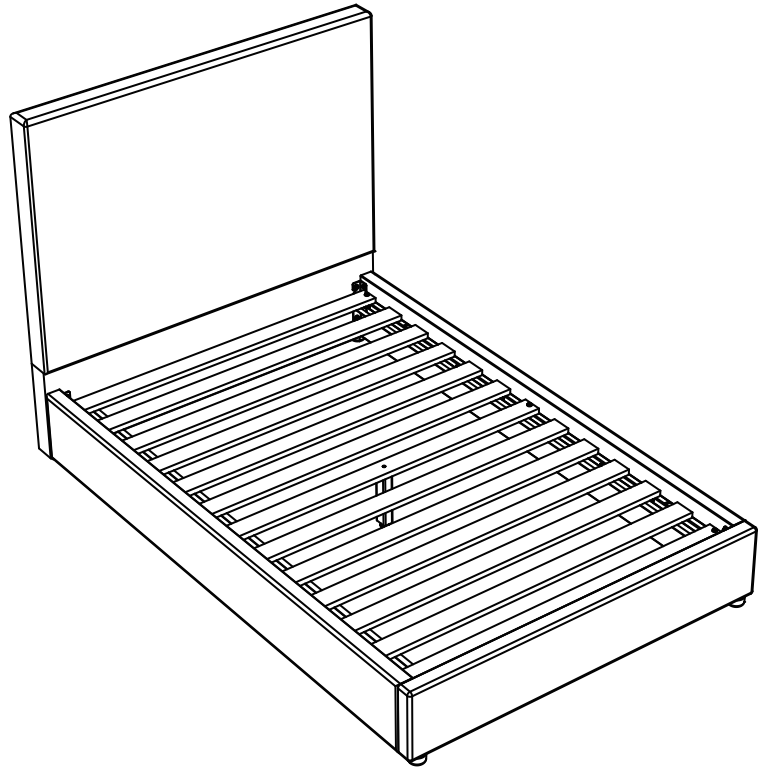
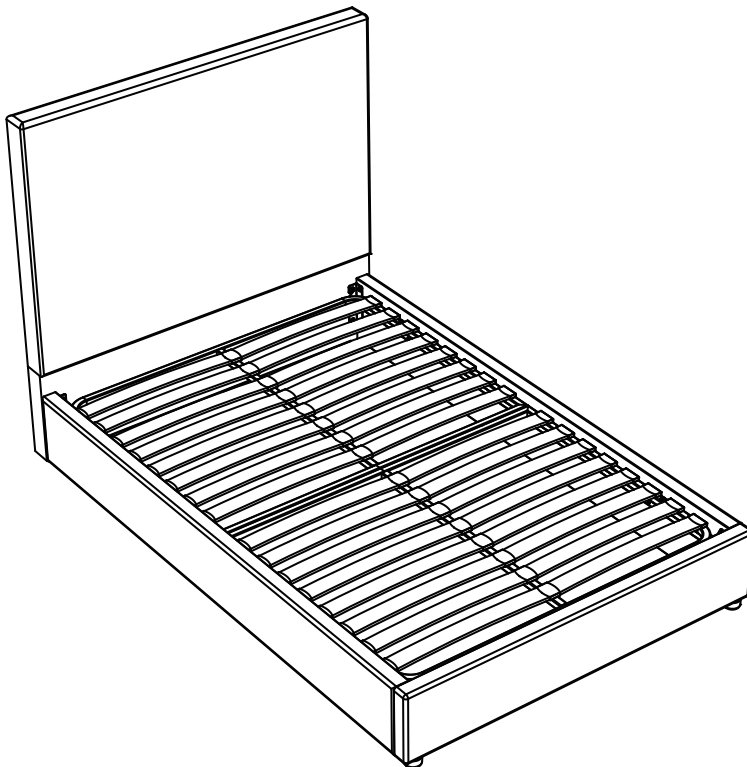


# Josephina/ Lillian Bedstead

Solid Wooden Slat Set



Sprung Slat Frame Set



20 mins approx  
assembly time



Two persons  
assembly

**Dreams**  
Love your bed

# WARNING

## **INSTRUCTIONS – KEEP FOR FUTURE REFERENCE.**

WARNING – Beware of moving parts.

WARNING – Do not allow children to play with this item of furniture.

WARNING – Do not leave children under 4 years of age unsupervised with this item of furniture.

WARNING – Do not allow children under 4 years of age operate this item of furniture.

WARNING – Check for the presence of pets before operating this item of furniture.

WARNING – Where assembly/installation is only to be carried out by a professional installer the following warning shall be supplied with the product:

WARNING – This product is not suitable for self-assembly/installation.

Assembly and installation should be carried out by a competent person only.

Where there are no user maintainable parts, the following warning shall be supplied with the product.

WARNING – This item of furniture contains no user maintainable parts. In the event of a fault contact your supplier.

# Thank you

Hello, thanks for choosing to purchase your bed from Dreams - you're now on your way to your best ever night's sleep. Before you begin building your bed, please take a moment to read through the instructions and make sure that you've got all the relevant parts listed on the following pages.



## Assembly tips

Before you begin, it's best to identify all parts and fittings to build your bed. We advise laying these out on the floor to check you have everything, and familiarising yourself before building.



## Top tip

We recommend that you build your new bed in the room you'd like it to be located - this will help prevent any risk of damage to your newly built bed whilst moving it.



## Safety and care

It's really important to ensure children and animals are kept away from the assembly area, as there are small components used in this bed which could present a choking hazard. All plastic and wrapping materials should also be kept away from children and animals to prevent any risk of suffocation. To keep your little ones busy, there is a colouring page inside the back cover.



## Help and support

At Dreams, it's our mission to give the whole nation a great night's sleep - this means that the quality of our products is of utmost importance to us. If there are any issues with your product or any missing parts, please visit our website at [www.dreams.co.uk/help](http://www.dreams.co.uk/help)



## Recycling

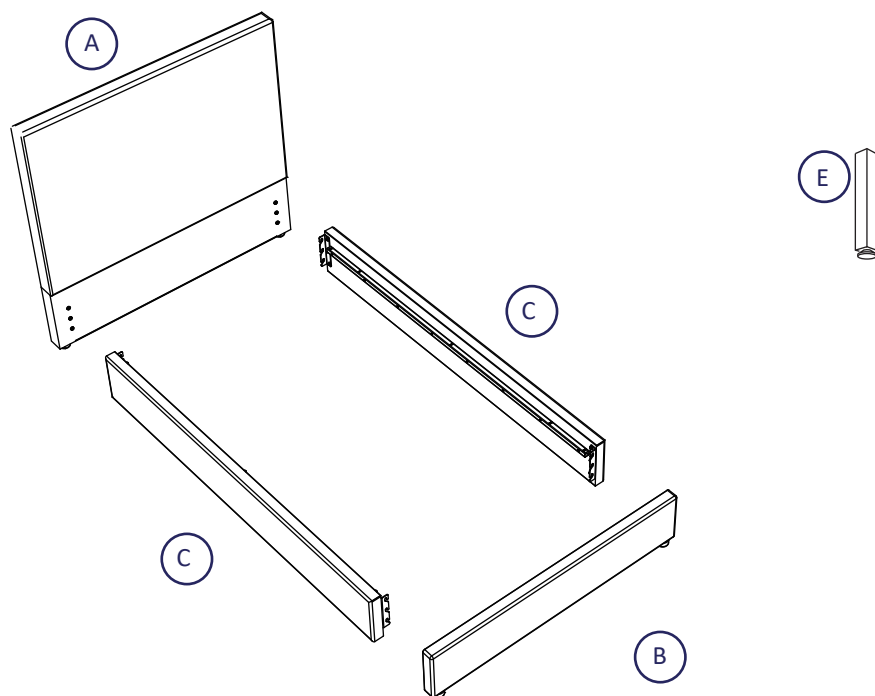
As part of our zero to landfill policy, we're more than happy to collect and recycle your old bed or mattress, ensuring no part goes to waste. We will also take away all your packaging for recycling at point of delivery. Please check out our services on [www.dreams.co.uk/recycling-services](http://www.dreams.co.uk/recycling-services) for more information. If you do not want us to do this, please check with your local recycling centre on the best recycling method.

# Parts

## Important information

Please identify which base you have purchased as the assembly method may change.

If you have purchased solid or sprung slats please follow the instructions below in the current order.



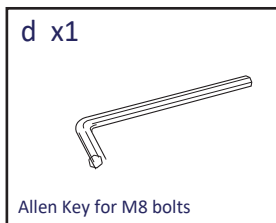
## Parts list

Code	Description	Qty	Pack
A.	Headboard	1	1
B.	Footboard	1	2
C.	Side Rails	2	2
E.	Wooden Slat Set Support Leg	1	2

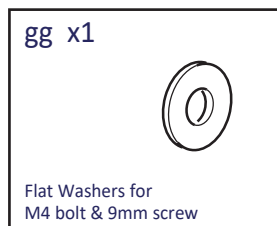
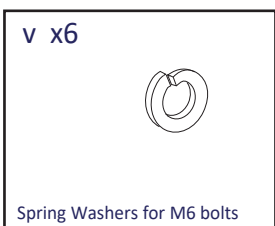
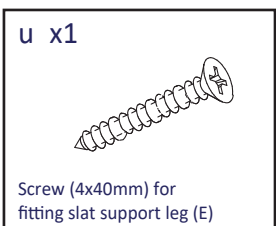
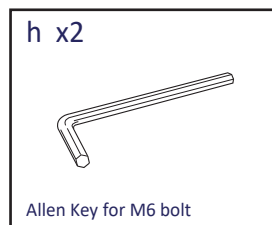
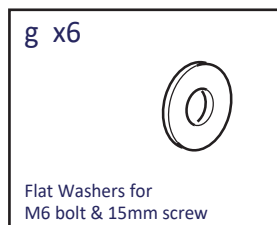
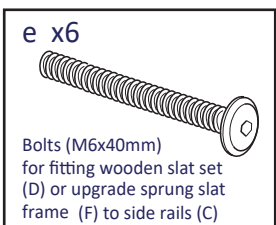
# Fittings

Please check you have all the parts listed below with your product:

## Hardware pack (A) needed for assembly bed packed in side rails - Pack 2



## Hardware pack (B) needed for fitting wood slats set or upgraded sprung slat frame packed in side rails - Pack 2



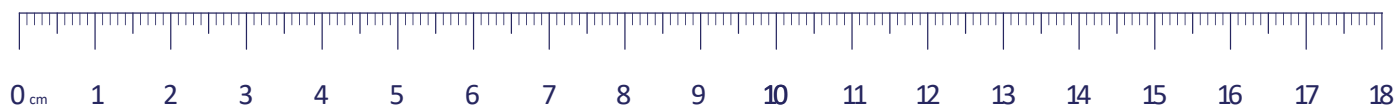
# Tools required



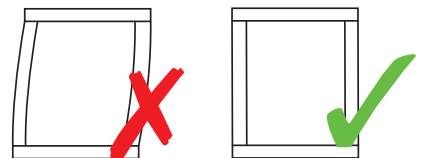
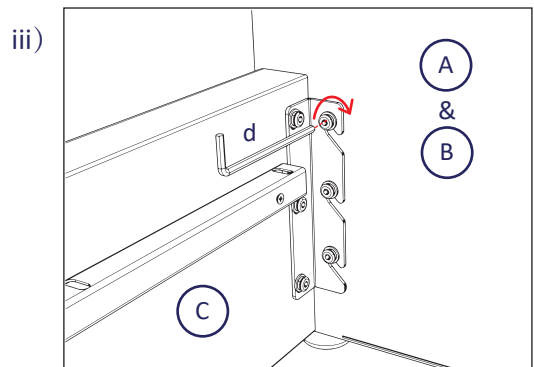
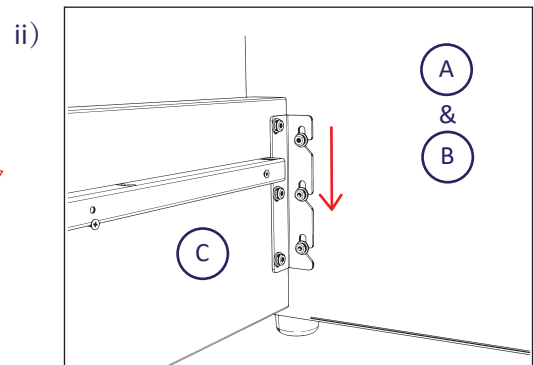
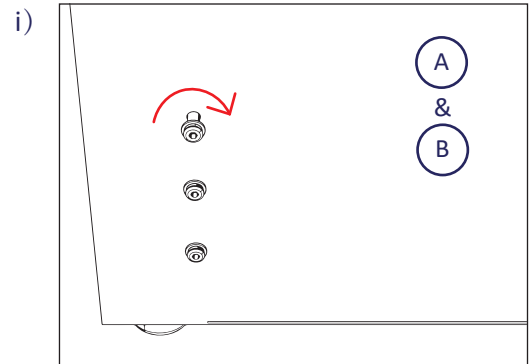
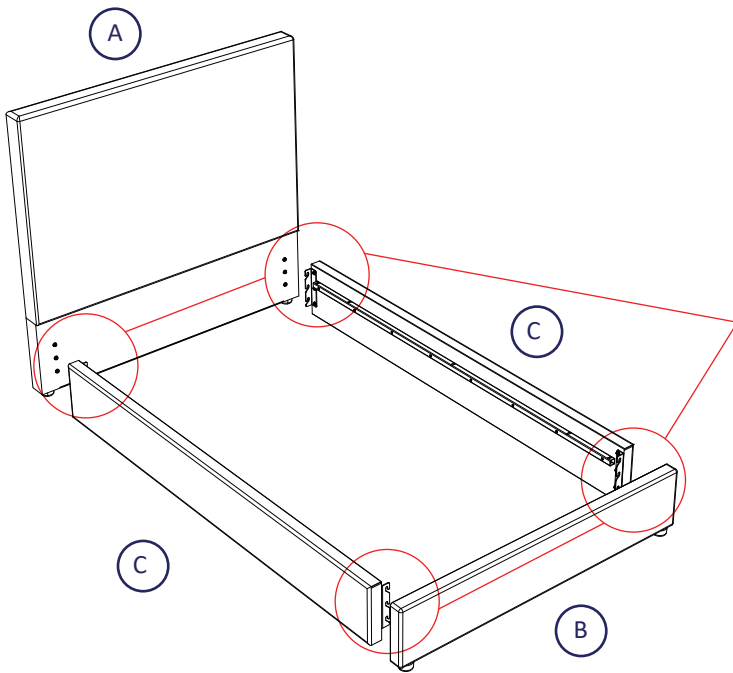
Tape measure



Cross head screwdriver

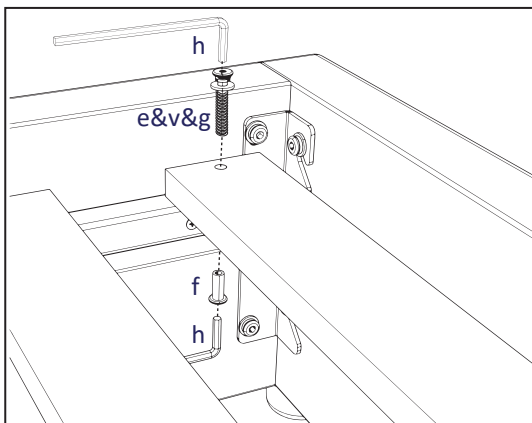
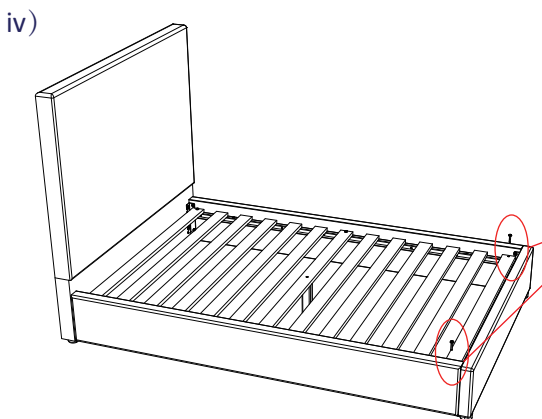
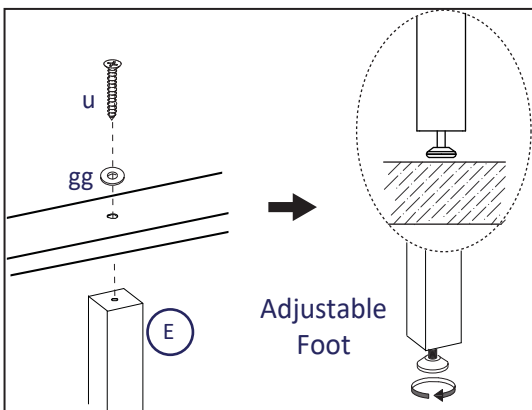
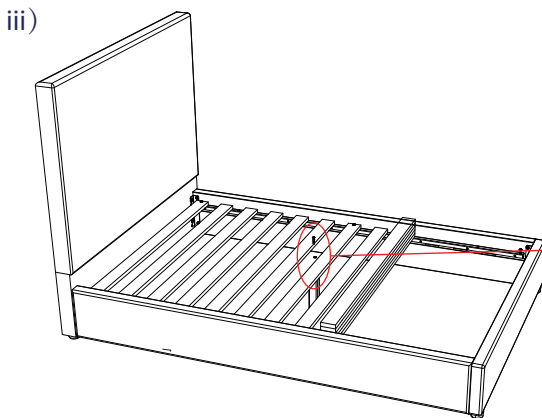
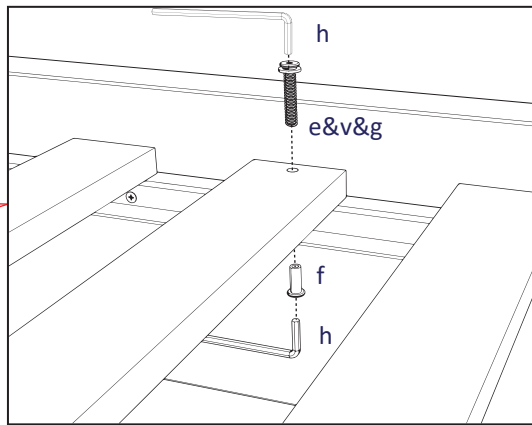
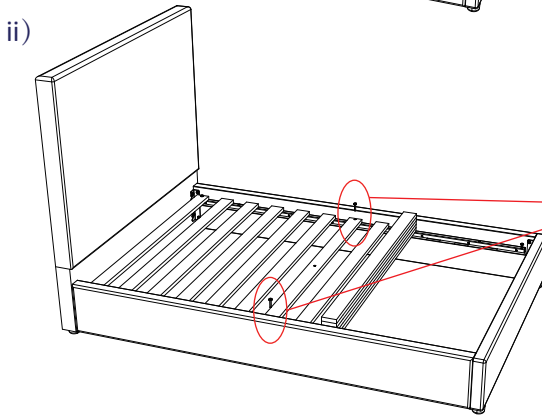
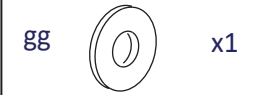
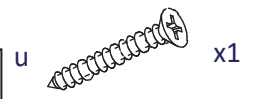
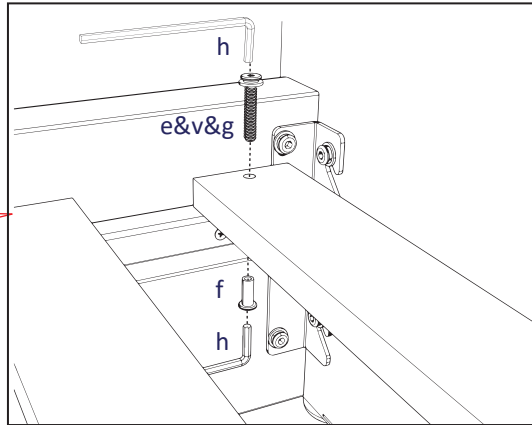
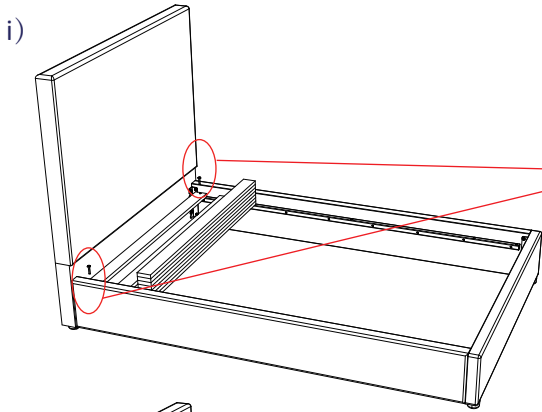


# 1 Bed assembly



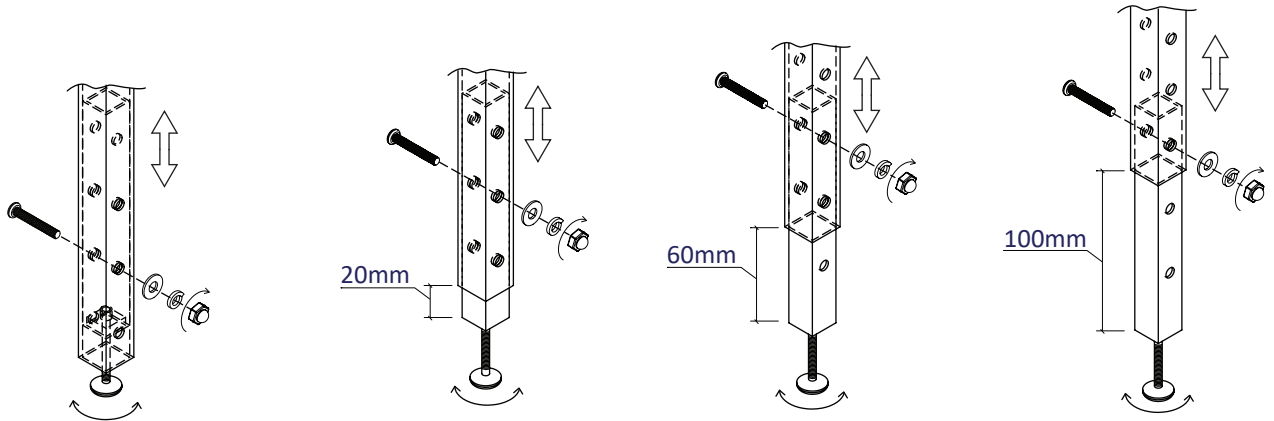
Make certain the bed is squared up as shown in the diagram then tighten all bed assembly bolts 100%.

## 2 Fit the wooden slats to the bedframe.

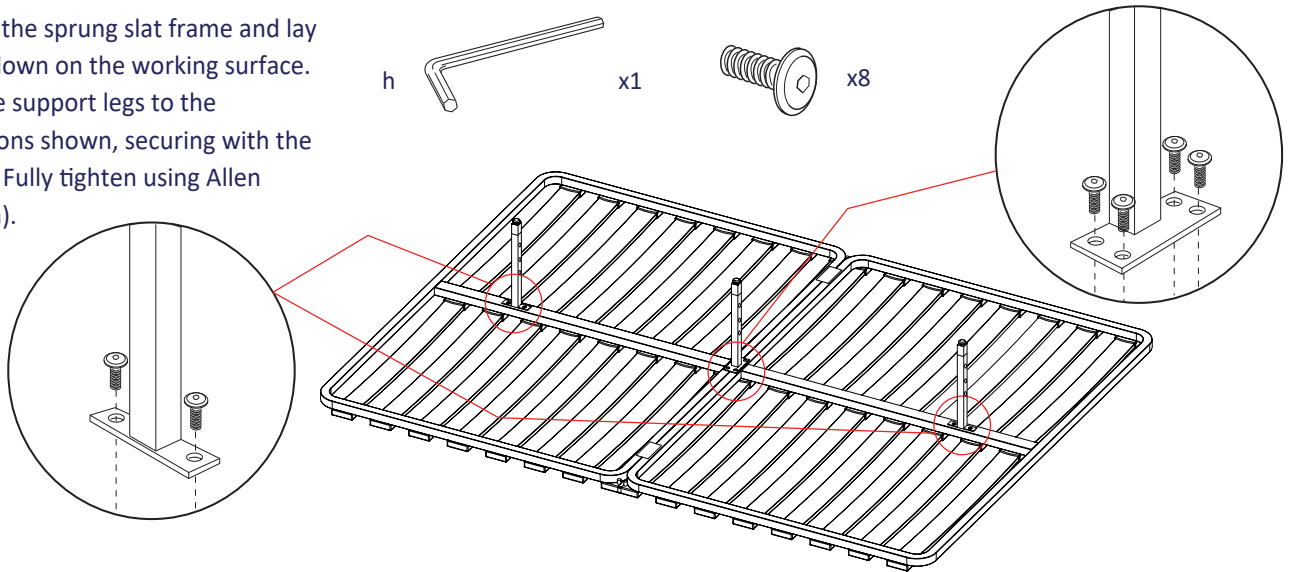


### 3 Fit the wooden slats to the bedframe.

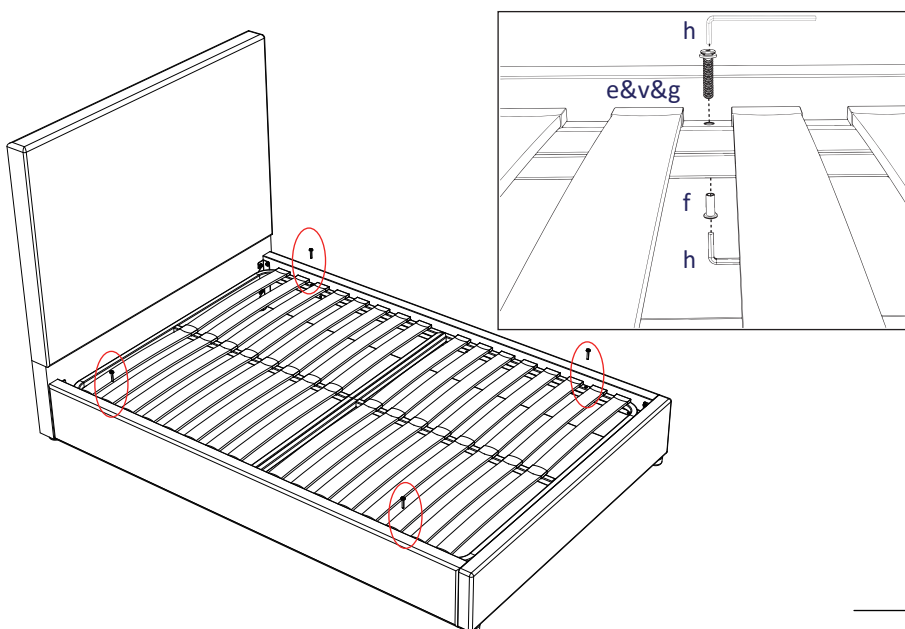
- i) 1. The support legs each have four adjustable parts that need to be set to suit the height of the bed slat frame. Please adjust the height of each leg by selecting the correct hole and inserting the bolts and nuts as shown.
2. You can fine-tune the height of each leg by screwing the adjustable foot in or out so it just touches the floor.



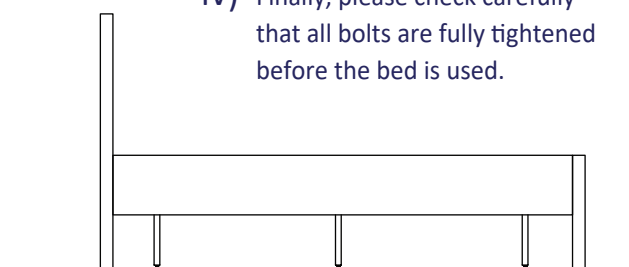
- ii) Open the sprung slat frame and lay face down on the working surface. Fit the support legs to the positions shown, securing with the bolts. Fully tighten using Allen key (h).



- iii) Carefully turn the slat frame over and place with equal gaps at each side, onto the metal slat supports, on each side rail. Align the frame with the fixing holes at each end secure using four sets of bolts (e), spring washers (v), flat washers (g) and sleeve-nuts (f). When all bolt sets are in place, tighten them using allen key (h).



- iv) Finally, please check carefully that all bolts are fully tightened before the bed is used.





# Care and maintenance

Here are some tips to keep your new furniture in tip-top condition



## Cleaning

To clean your new furniture, we'd advise using a warm damp cloth or if fabric, remove dust using a low suction vacuum cleaner - please do not use abrasive chemicals or bleach as this may damage the product.



## Checking and moving

Periodically we recommend you check that the screws or fixtures haven't become loose, over time. To move your new furniture, we recommend lifting it where possible, as dragging or pushing it could cause damage to your flooring.



## Wood

Please note each of our wooden pieces are unique, meaning that markings and shade can vary slightly between furnitures. Over a period of time, the wood might lighten or fade slightly due to light exposure.



## Fabric

Please note depending on the lighting, positioning and surroundings of your room, the shade of the colour can sometimes appear slightly different. Over a period of time the colour might lighten or fade slightly due to light exposure.



## Metal

Metal tends to be more resilient to everyday wear and tear. We recommend to gently dust your metal furniture and keep it dry to maintain its look.

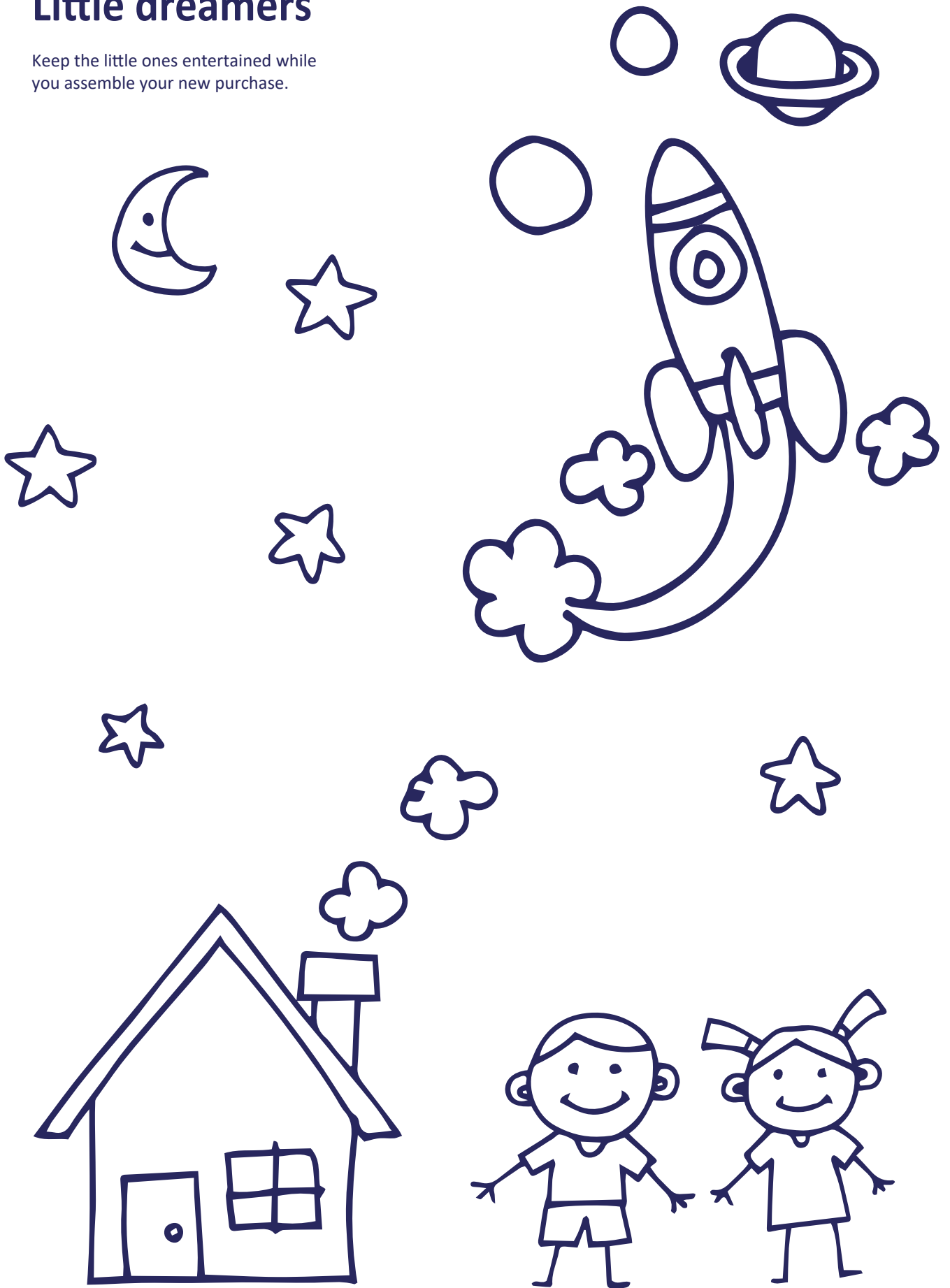
Thank you for shopping with us - we hope you have a great night's sleep

*Sleep well*



# Little dreamers

Keep the little ones entertained while you assemble your new purchase.



# Dreams

Love your bed

**PRODUCED IN CHINA FOR:**

Dreams Limited | Knaves Beech | High Wycombe | HP10 9YU

[www.dreams.co.uk](http://www.dreams.co.uk)

Hometime Retail Limited | 6-16 Duncrue Crescent | Belfast | Antrim | BT3 9BW

[www.dreams.ie](http://www.dreams.ie)