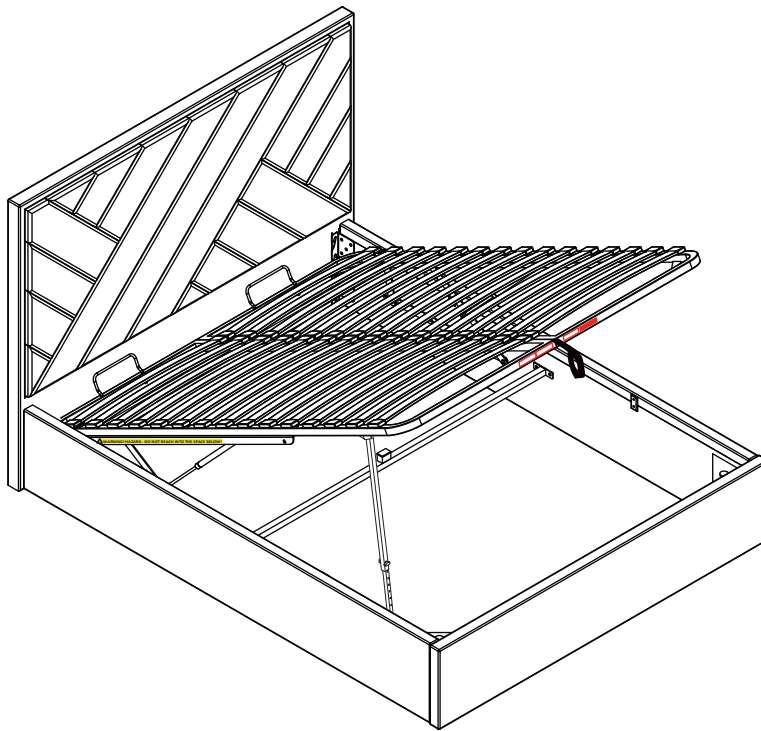


Jay Ottoman Bed with O.S.B.



IMPORTANT OTTOMAN SAFETY WARNINGS

- **IMPORTANT - READ CAREFULLY - RETAIN FOR FUTURE REFERENCE**
- **You must ensure that the mattress is on the bed frame before operating the lift mechanism - Failure to do so could result in injury.**
- **Keep hands clear of the mechanism when opening or closing the ottoman.**
- **Beware of entrapment - Never reach in through the mechanism to access the storage area.**
- **Always ensure that the ottoman is FULLY opened before accessing the storage area.**
- **Do not exceed the maximum weight as specified in the table below:**

Bed	Bed Size	Min Weight (kg)	Max Weight (kg)
Jay Metal Slat Frame	Double	20	50
	King	20	50
	Super King	20	50



1.5 hour approx
assembly time

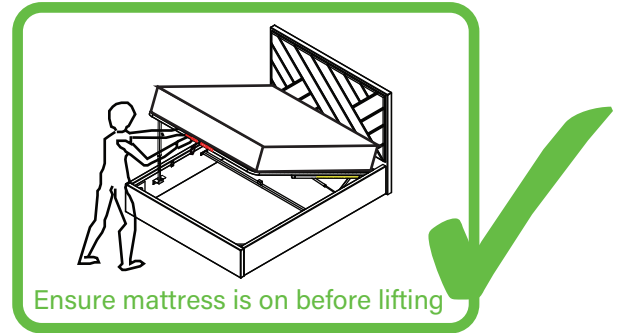


Two person
assembly

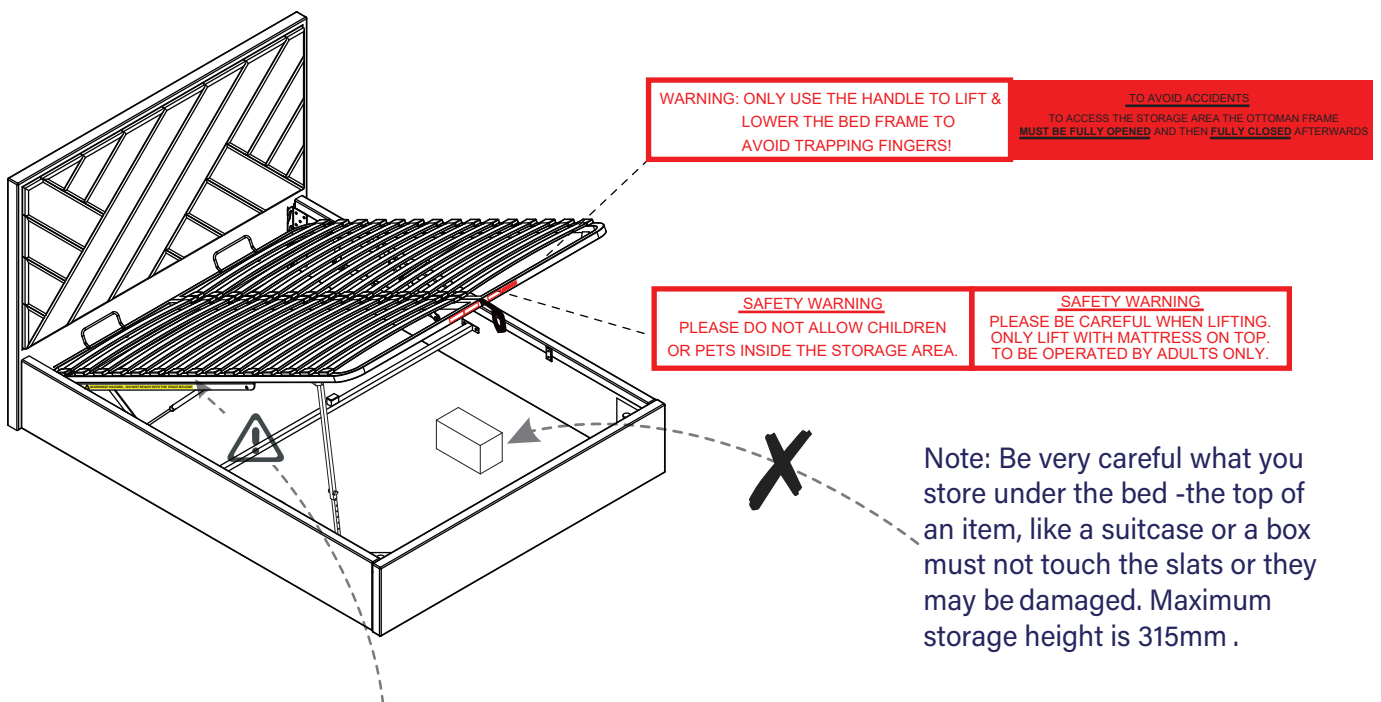
MK1 230327

Dreams

IMPORTANT OTTOMAN SAFETY WARNINGS Cont.



- Use caution when operating, always use the handle when lifting.
- Note: This bed uses a pressurised mechanism.
- To be operated by adults only.
- Please ensure that children and pets are kept away from the bed when operating the lift mechanism.
- Keep children and pets away from the storage area.
- Do not overload the internal storage base.
- Do not stand inside the internal storage area of the bed.
- Before removing the mattress secure the frame to ensure it does not open unexpectedly.
- Do not attempt to lie on the mattress when the ottoman is in the raised position.
- When lifting the ottoman, remove all bedding except the fitted sheet.



! WARNING! HAZARD - DO NOT REACH INTO THE SPACE BELOW!

Ottoman Beds - Important Safety Features

Our aim is always to give you the best experience and to ensure every effort has been made to guarantee your comfort and safety. Please take time to look at these instructions as they will help remind you how to operate your ottoman bed safely.

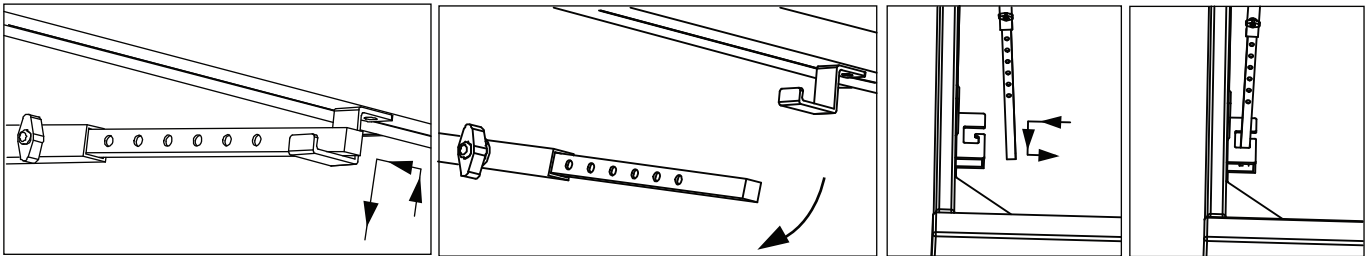
Here's a few things you need to remember;

- ✓ **Pistons are already assembled in their correct orientation - this improves piston performance and durability.**
- ✓ **"Break in " the piston seals on first use by raising & lowering the platform at least five times.**
- ✓ **Recommended mattress weights - do not exceed the maximum relevant weight specified on the Assembly Instruction.**
- ✓ **Ottoman support bar - always engage the support bar when accessing the ottoman storage area.**

Read all the instructions before using your Ottoman bed-frame and save the instruction booklet for future reference.

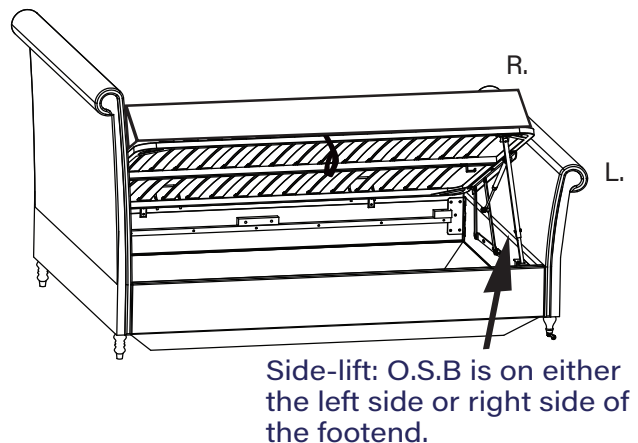
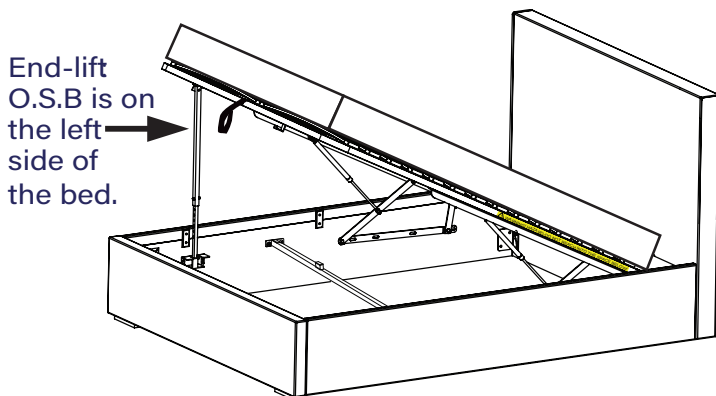
Ottoman Support Bar (O.S.B.)

For optimal safety during operation, always ensure the O.S.B. is engaged when accessing the ottoman storage area.



1. Always raise the ottoman slat-frame to it's highest position before using the storage area.
Locate the end of the O.S.B and insert into the fixed retaining bracket on the bed frame.
2. When you are ready to lower the ottoman platform, return the O.S.B to its original parking position.
3. Always ensure that the O.S.B is in position when the ottoman is open, this prevents injury, or damage to the product.

Location of the O.S.B



WARNING! Risk of Entrapment

- The pistons on the ottoman bed frame can support a maximum load (evenly spread) as indicated in the Minimum and Maximum load table, shown on Page 1 in this Assembly Instruction.
- Overloading the sleeping platform may contribute to damage to the product resulting in potential serious injury.
- Do not sit on the mattress whilst the platform is in motion or is in the raised position.
- Users should only get in and out of bed when platform is in the flat (horizontal) position.

Thank You

Dear Customer, Thank you for choosing to purchase your bed from Dreams - we hope it brings you your best ever night's sleep. Before you begin building your bed, please take a moment to read through the instructions and make sure that you've got all the relevant parts listed on the following pages.



Assembly tips

Before you begin, it's best to identify all parts and fittings to build your bed. We advise laying these out on the floor to check you have everything, and familiarising yourself before building.



Top tip

We recommend that you build your new bed in the room you'd like it to be located - this will help prevent any risk of damage to your newly built bed whilst moving it.



Safety and care

It's really important to ensure children and animals are kept away from the assembly area, as there are small components used in this bed which could present a choking hazard. All plastic and wrapping materials should also be kept away from children and animals to prevent any risk of suffocation. To keep your little ones busy, there is a colouring page inside the back cover.



Help and support

At Dreams, it's our mission to give the whole nation a great night's sleep - this means that the quality of our products is of utmost importance to us. If there are any issues with your product or any missing parts, please contact our Help Centre on 0800 652 6750, where a member of our team will be happy to help. (For customers based in Northern Ireland, please call 028 9050 8300)



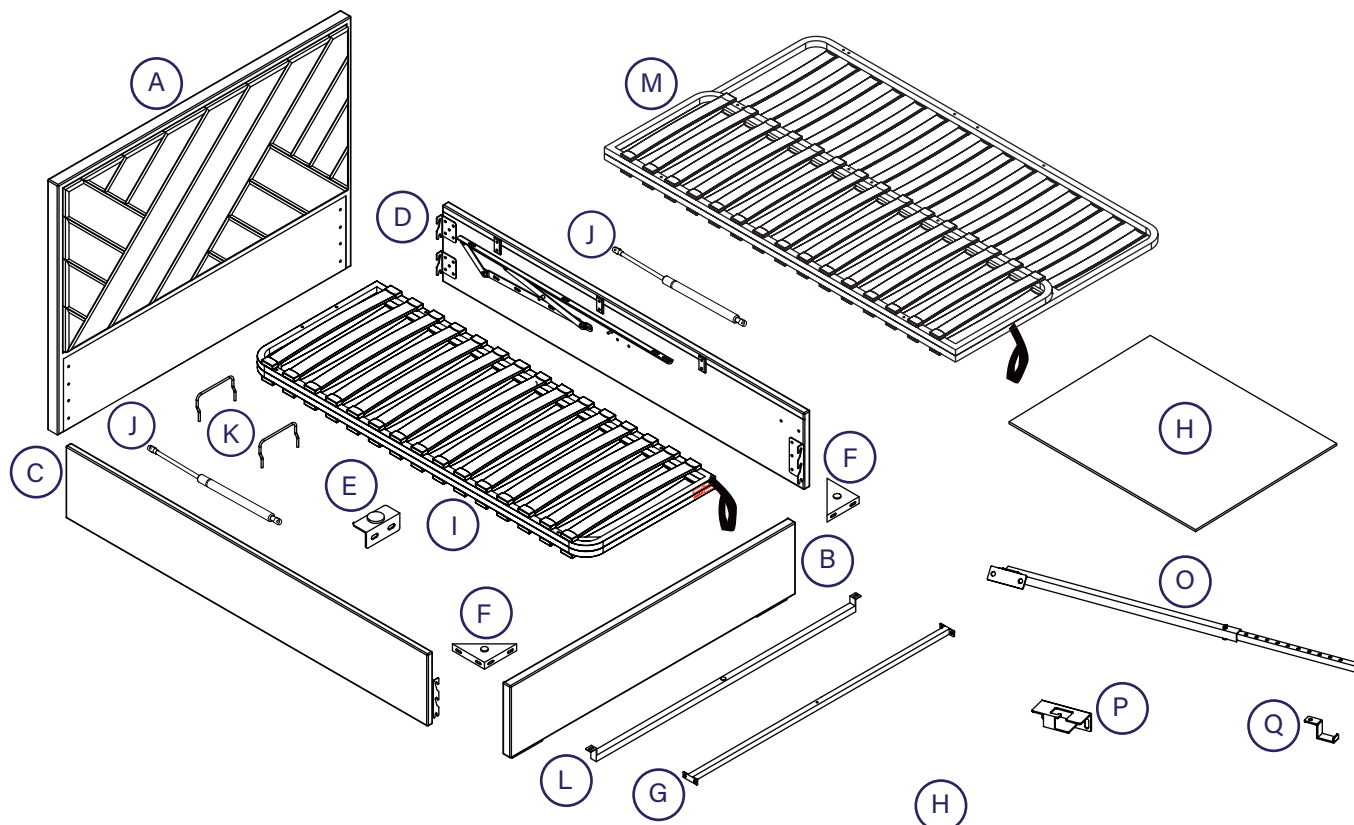
Recycling

Please ensure that packaging is disposed of in a safe and environmentally friendly way, and recycle where possible. Our assembly instructions are printed on recycled paper. Please keep your assembly instructions safe to refer back to in the future.

Parts

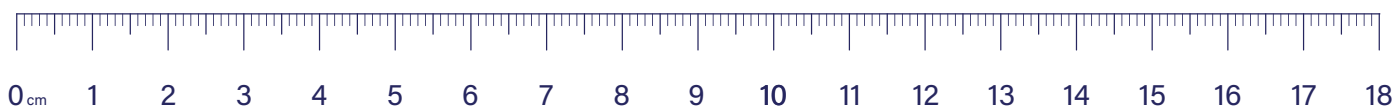
Important information

The bed you have purchased comes with an Ottoman lift up base, please follow the instructions below in the current order. Before you begin building your bed, please take a moment to read through the instructions and make sure that you've got all the relevant parts listed on the following pages.



Parts list

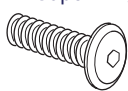




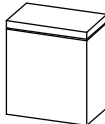
Code	Description	Qty	Box	Code	Description	Qty	Box
A.	Headboard	1	1	J.	Gas Lift Piston for Slat Frame	2	3A
B.	Footboard	1	4	K.	Mattress Stopper	2	3A
C.	Side Rail - Left	1	2	L.	Cross Bar	1	3A
D.	Side Rail - Right	1	2	M.	Metal Slat Frame Only for Super King Size	1	3A
E.	Support Brackets Double & King/Super King	1/2	2	Ottoman support bar PACK (O.S.B.)			
F.	Angled Corner Brackets	2	4	O.	Ottoman support bar	1	2
G.	Side Rail Cross Bar	1	2	P.	Fixed retaining bracket - side rail	1	2
H.	Fabric Base Cover	1	1	Q.	Parking bracket - slat-frame	1	2
I.	Metal Slat Frame Double or King Size	1	3A				





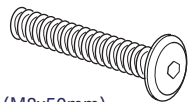
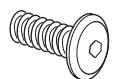

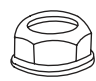
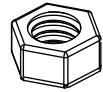

Fittings

Please check you have all the fittings listed below with your product:



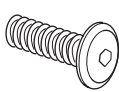
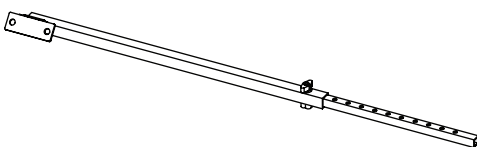
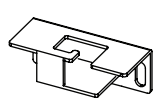
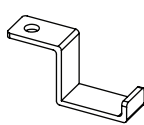
Hardware needed for fixing side rails to headboard & footboard Packed in side rail carton, inside Pack 2 - hardware pack (A)

<p>a Double & King x28 Super King x30</p>  <p>Bolts (M8x30mm) Fitting side rails (C&D) to headboard & footboard (A&B)</p>	<p>b Double & King x26</p>  <p>Spring Washer for M8 bolt</p>	<p>c Double & King x29 Super King x32</p>  <p>Flat Washer for M8 bolt</p>
<p>d x1</p>  <p>Allen Key for M8 bolt</p>	<p>e Double & King x1 Super King x2</p>  <p>Bolts (M8x50mm) fitting support block (p) to side rail cross bar (G)</p>	<p>p Double & King x1 Super King x2</p>  <p>Support block for side rail cross bar (G).</p>

Hardware needed for fixing metal slat frame Packed in ottoman carton, inside Pack 3A - hardware pack (B)

<p>b x12</p>  <p>Spring Washer for M8 bolt</p>	<p>c x18</p>  <p>Flat Washer for M8 bolt</p>	<p>e x6</p>  <p>Bolts (M8x50mm) Fitting metal slat frame (I or M) to gas-lift mechanisms</p>	<p>f x6</p>  <p>Bolts (M8x20mm) for fitting metal connection plates (g) and cross bar (L) to metal slat frame (I or M)</p>
<p>g x2</p>  <p>Metal Connection Plates</p>	<p>h x4</p>  <p>Flanged lock-nuts M8 for gas-lift pistons</p>	<p>i x6</p>  <p>Nuts for M8 bolts</p>	<p>j x1</p>  <p>Spanner for M8 nut</p>

Hardware needed for fixing ottoman support bar (O.S.B) to the slat frame packed in the side rail carton, inside Pack 2 - hardware pack (C)

<p>b x5</p>  <p>Spring washer for M8 bolts</p>	<p>c x5</p>  <p>Flat washer for M8 bolts</p>	<p>m x5</p>  <p>Bolts (M8x25mm) for fitting ottoman support bar</p>	<p>O x1</p>  <p>Ottoman Support Bar</p>
<p>P x1</p>  <p>Fixed retaining bracket - side rail</p>	<p>Q x1</p>  <p>Parking bracket - slat frame</p>		

Tools required

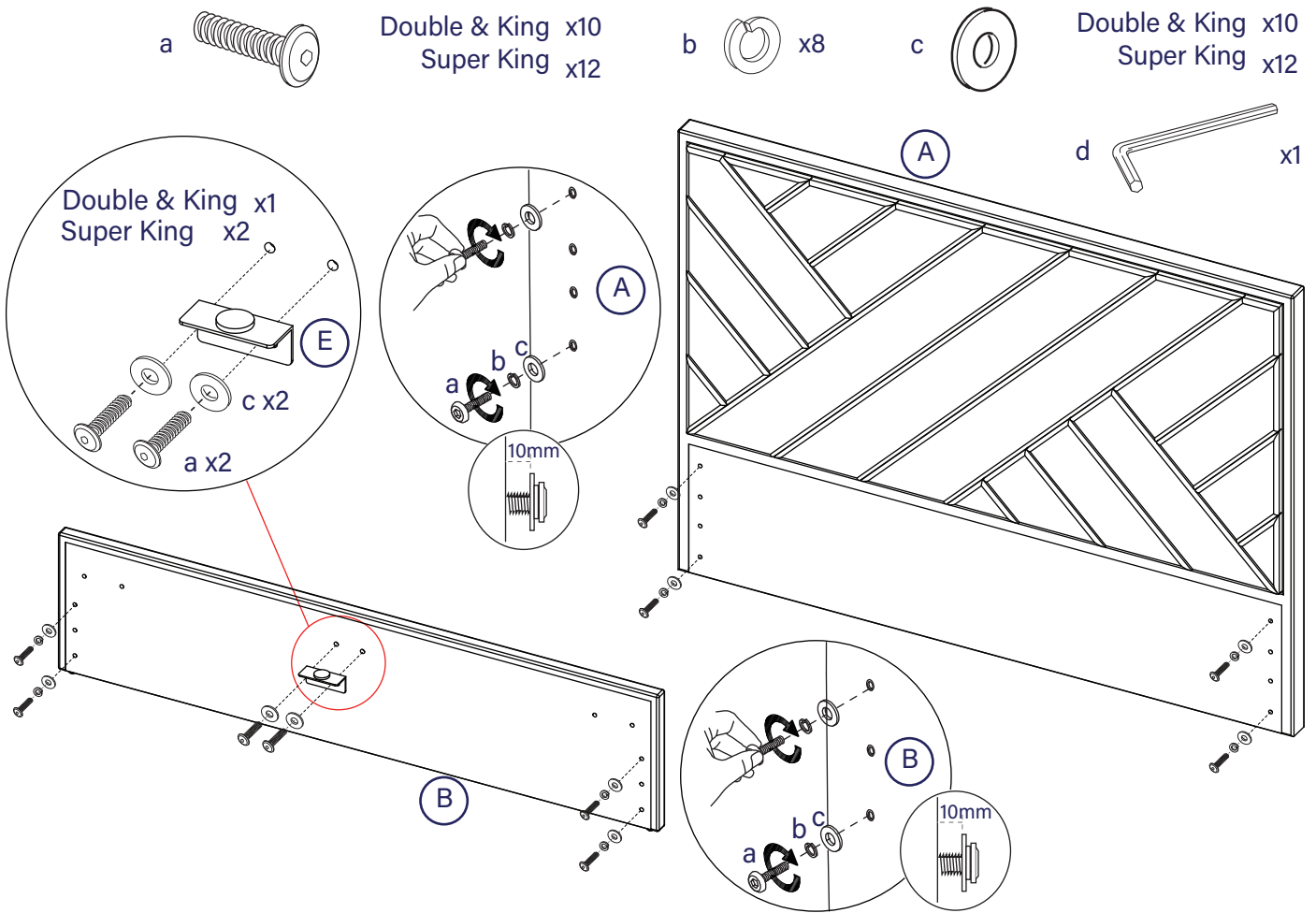


Tape measure

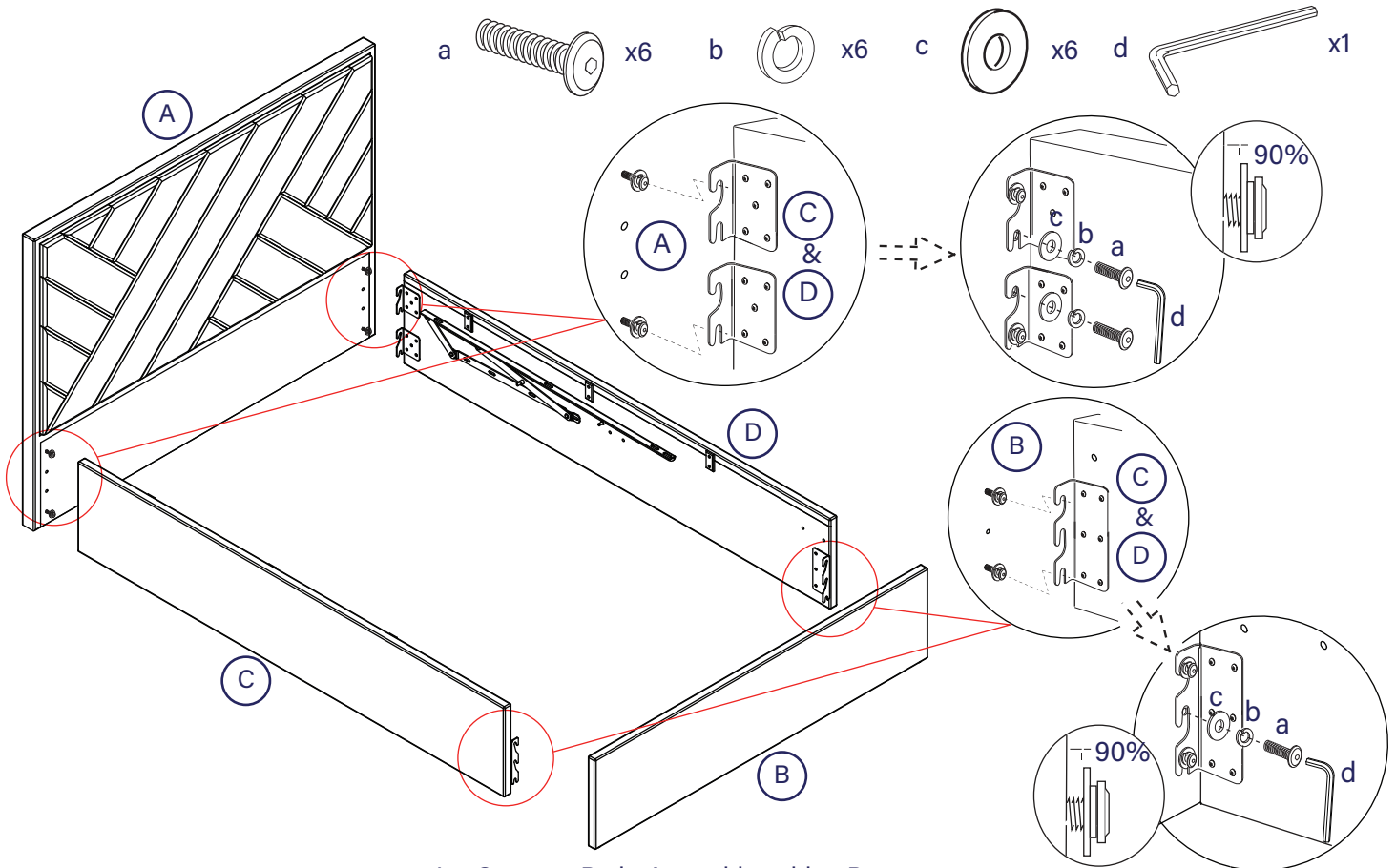


Cross head screwdriver

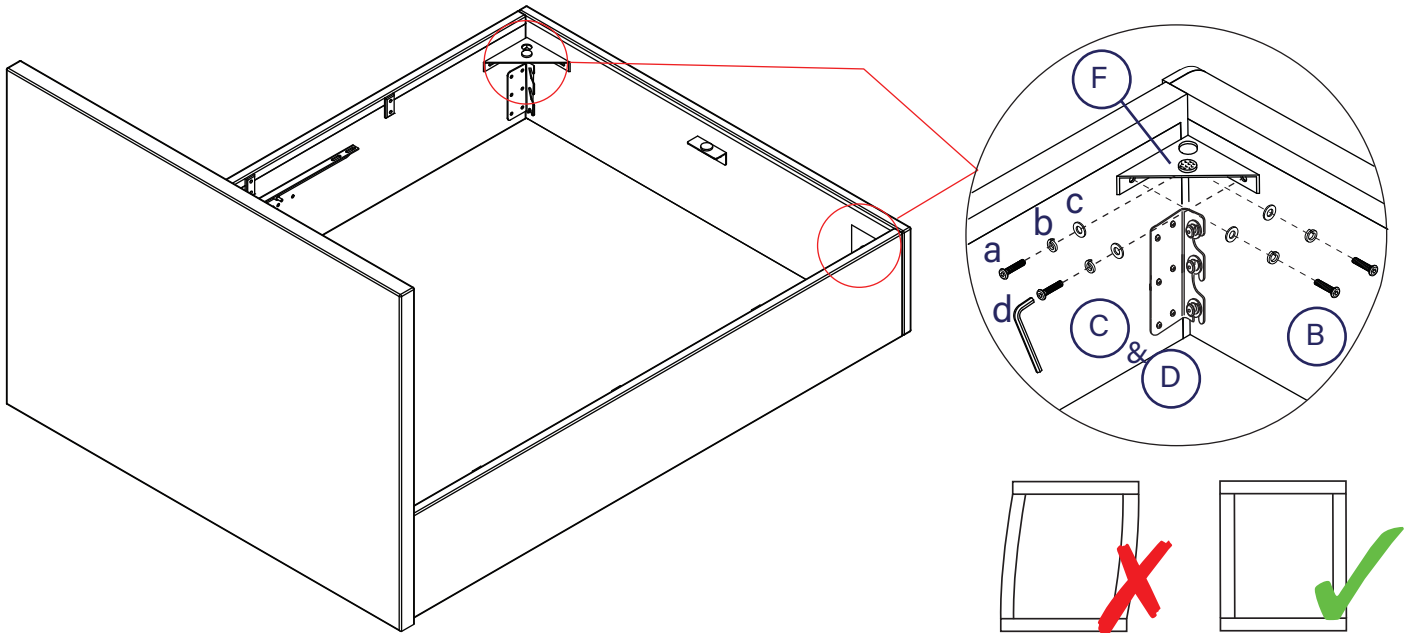
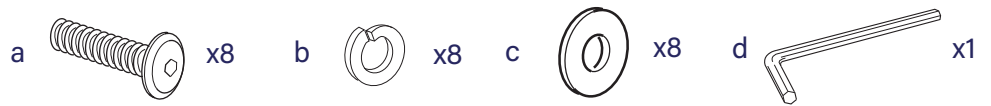
1 Prepare headboard & footboard for assembly.



2 Fit both side rails to headboard & footboard, tighten all bolts 90%.

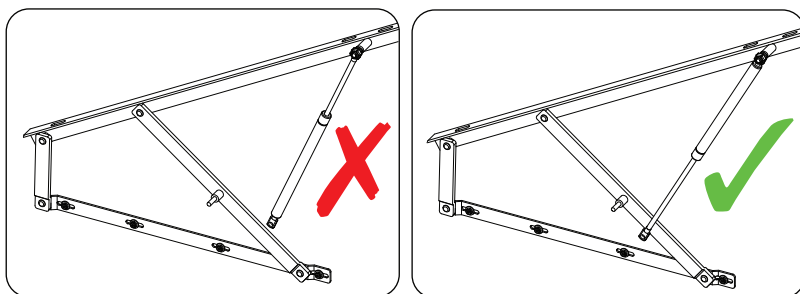


3 Fit the angled corner brackets and tighten all bolt sets 90%.

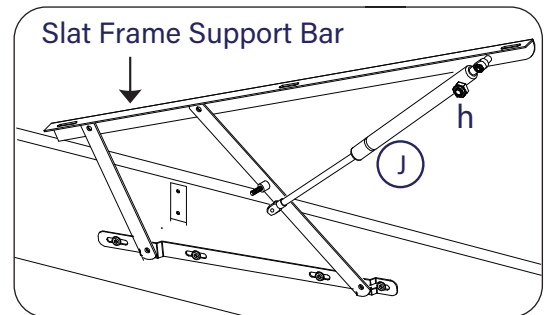
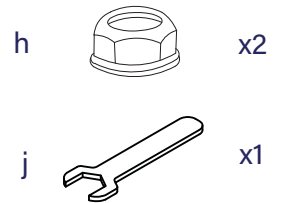


Make certain the bed is squared up as shown in the diagram then tighten all bed assembly bolts 100%.

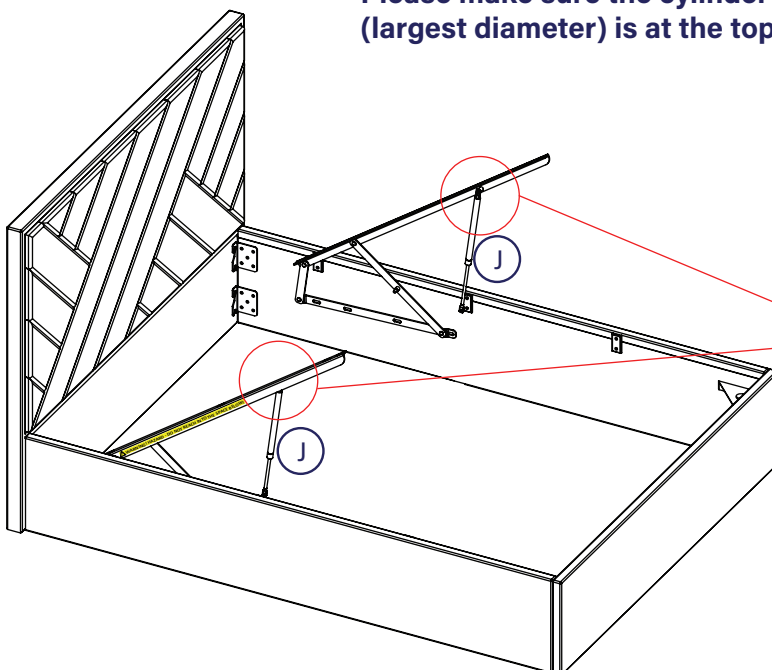
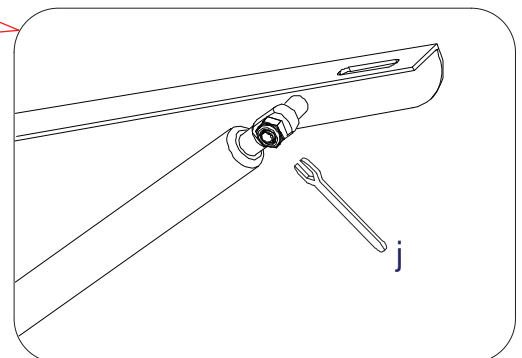
4 Loosely fit the piston stems to the upper axes.



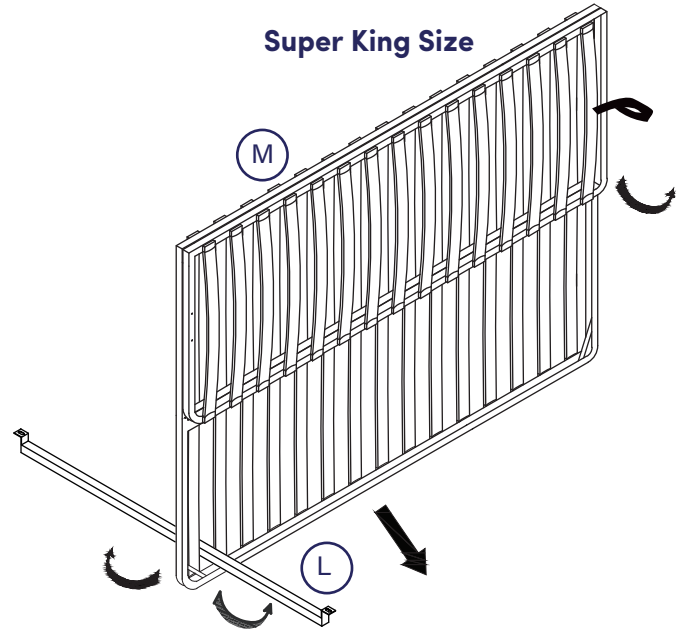
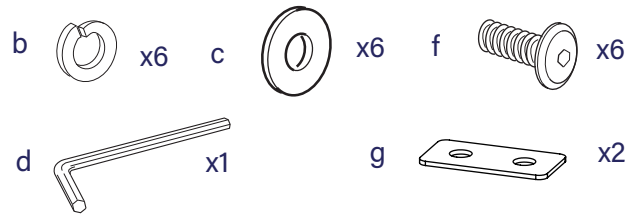
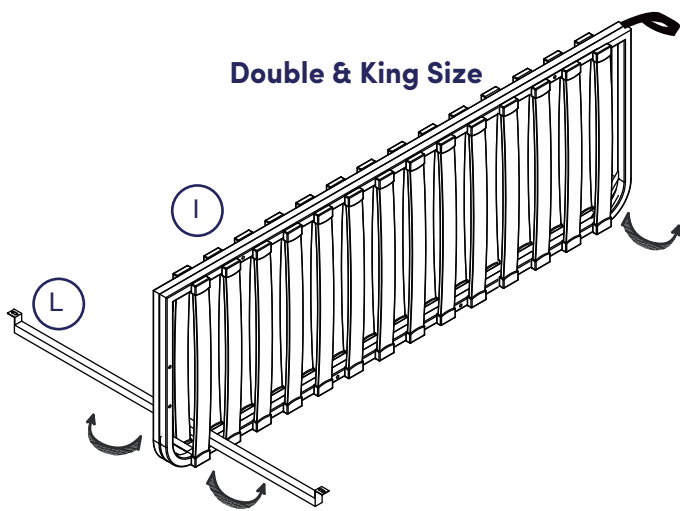
Please make sure the cylinder (largest diameter) is at the top.



Fit the piston stems to upper axes using lock-nuts (h) - **do not tighten yet.**

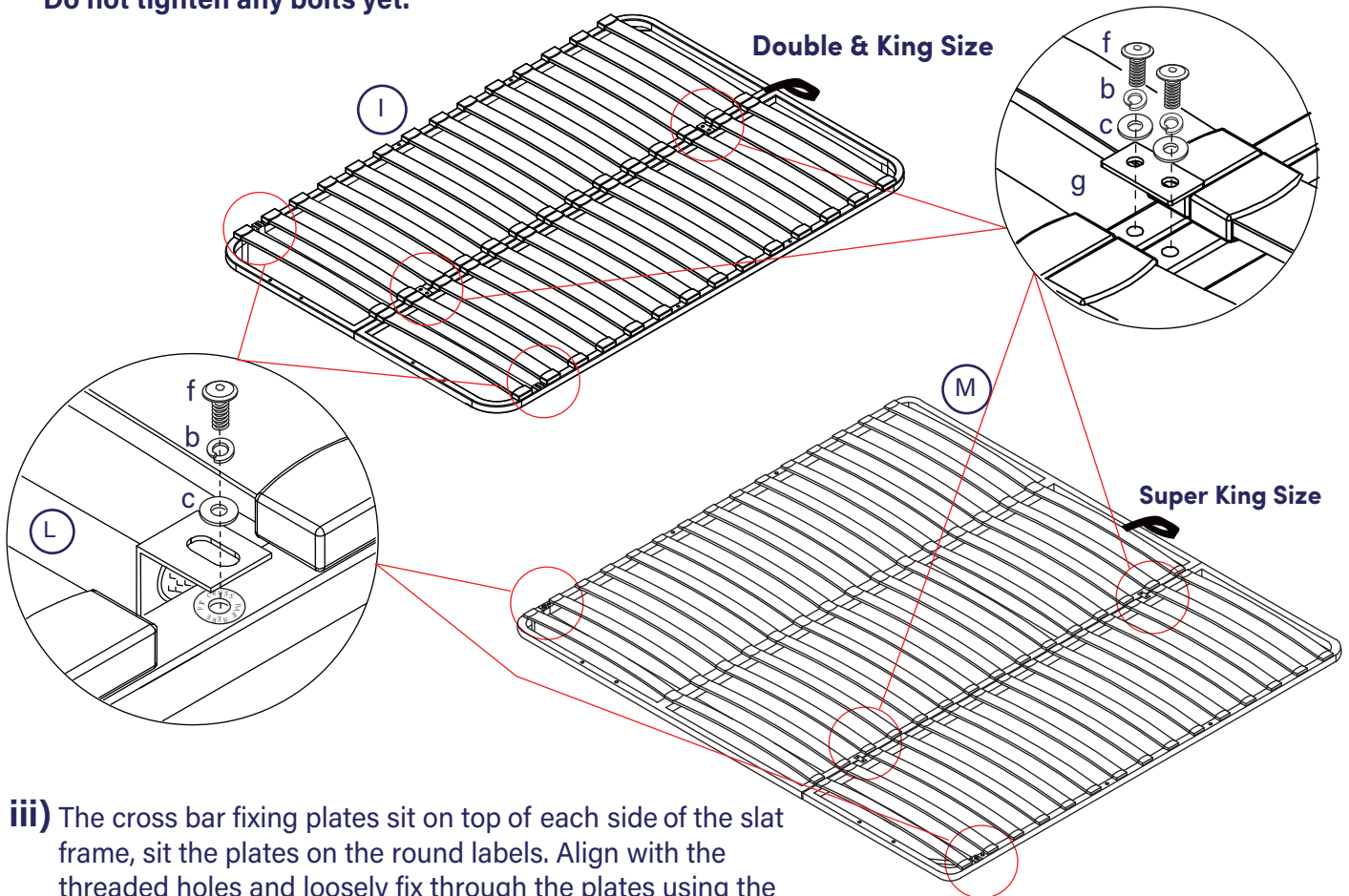


5 Fit the metal slat frame by following the next steps.

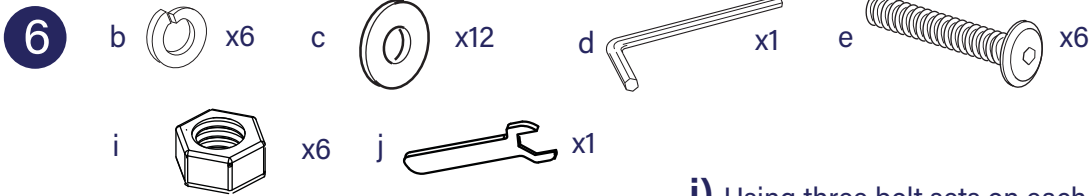


i) Fitting location for the strengthening cross bar (L) is clearly labeled on the sides of the slat frame (I or M). Pass the bar through the gap between first & second slat. Carefully open the frame.

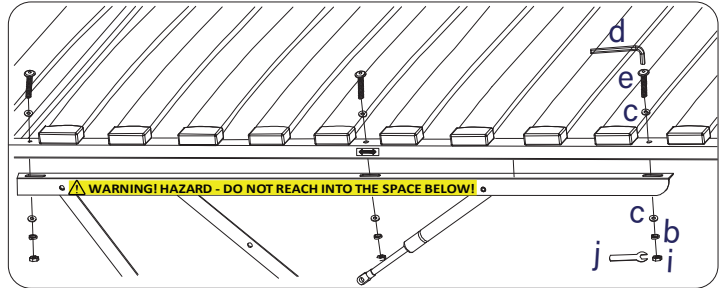
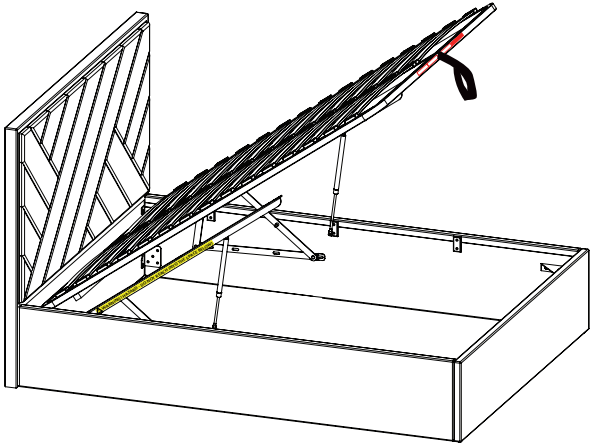
ii) To top of frame (I or M), fit two connection plates (g) using four bolt sets (f, b & c), screw into the threaded inserts on top of the frame. **Do not tighten any bolts yet.**



iii) The cross bar fixing plates sit on top of each side of the slat frame, sit the plates on the round labels. Align with the threaded holes and loosely fix through the plates using the bolt sets as in step (ii). Make sure frame is flat on the floor. **Using Allen key (d) tighten all six bolt sets 100%.**

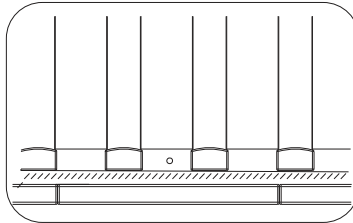


i) Using three bolt sets on each side (e, c, c & b & i), fix the slat frame loosely to the support bars.

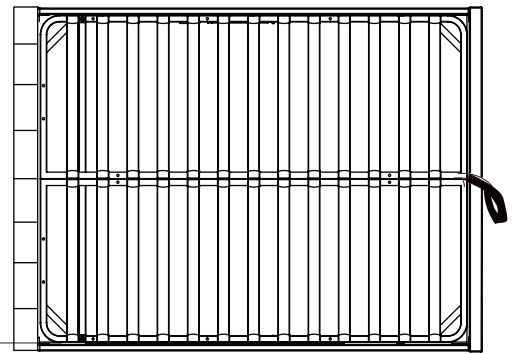


Bolt into centre of long holes

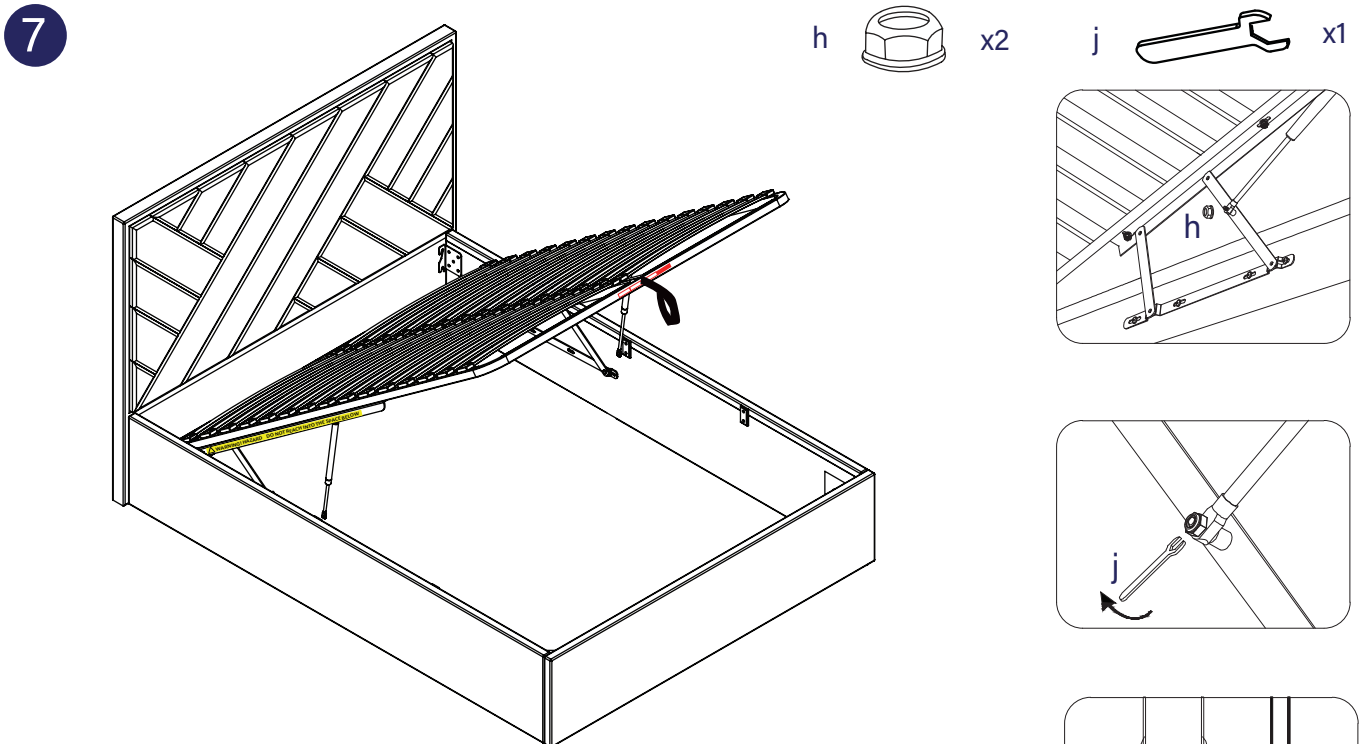
ii) Carefully lay the slat frame on to the top of the support bars making sure the bed is still square and there is an even gap all round as in the sketch.



8 mm

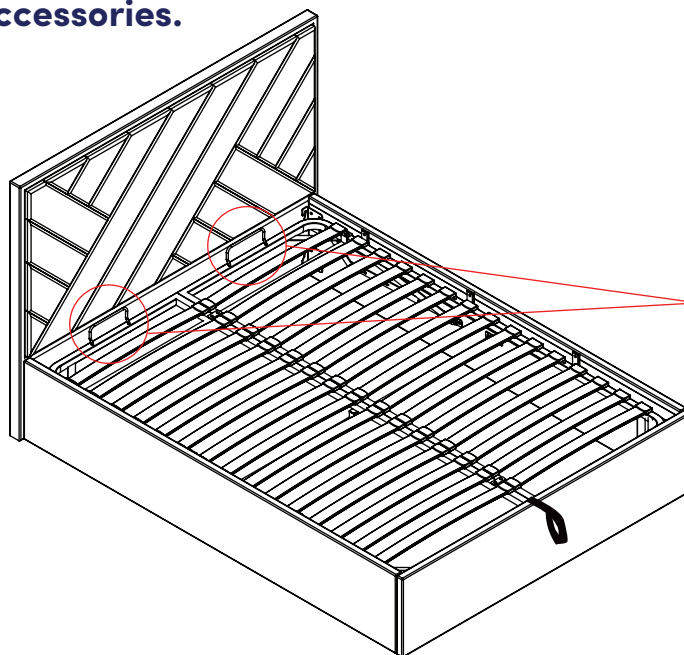


Tighten all six bolt sets 100% using spanner (j) & Allen key (d).

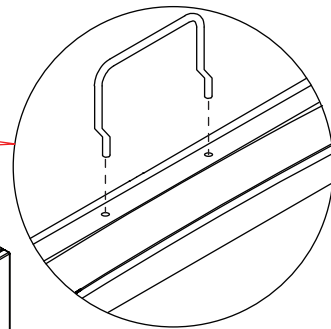


Lift the frame and slide the piston stems onto the lower axles then fit the lock-nuts (h). Tighten them with spanner (j) but note, a small 2mm gap is needed so stems can move freely. This is important so do not over-tighten - please see the sketch -->

8 Fit the accessories.

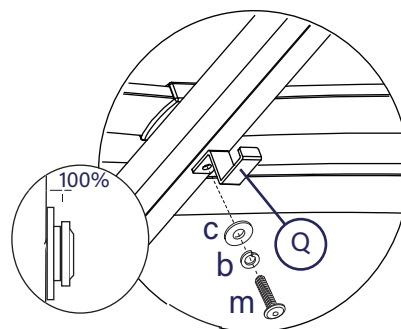


Push x2 mattress stoppers (K) into the slat frame, they should go all the way through the upper & lower metal sections.



9 Unpack the contents of the Ottoman Support Bar (O.S.B.) from its carton - this is packed inside Pack 2.

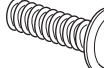
i) To the underneath of the slat frame, fit the parking bracket (Q). This is used to safely keep the support bar out of the way when not in use. Use one bolt set (m, b & c) - please make sure the bracket is fitted the correct way round as shown. Screw into the threaded insert on the underside of the frame.



b  x5

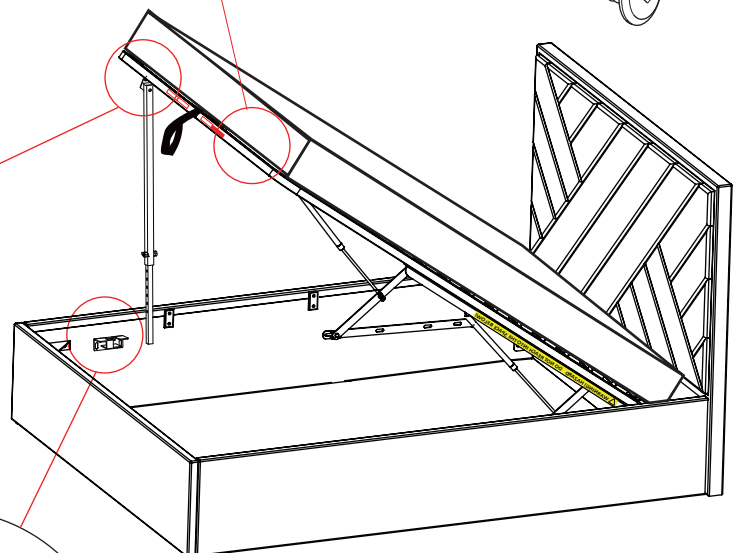
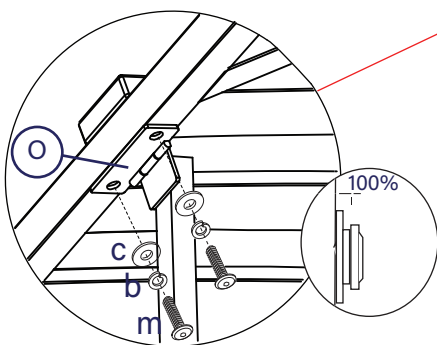
c  x5

d  x1

m  x5

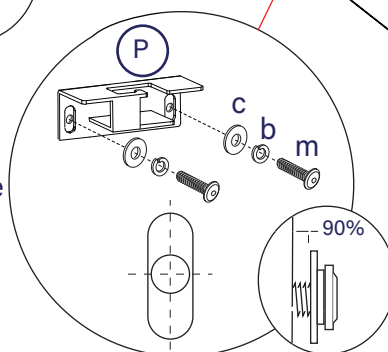
ii) To the underneath of the slat frame, fit the O.S.B. support bar (O) as shown. Using two bolt sets (m, b & c), screw the bolts into the threaded inserts on the underside of the frame.

Please do tighten 100% yet.



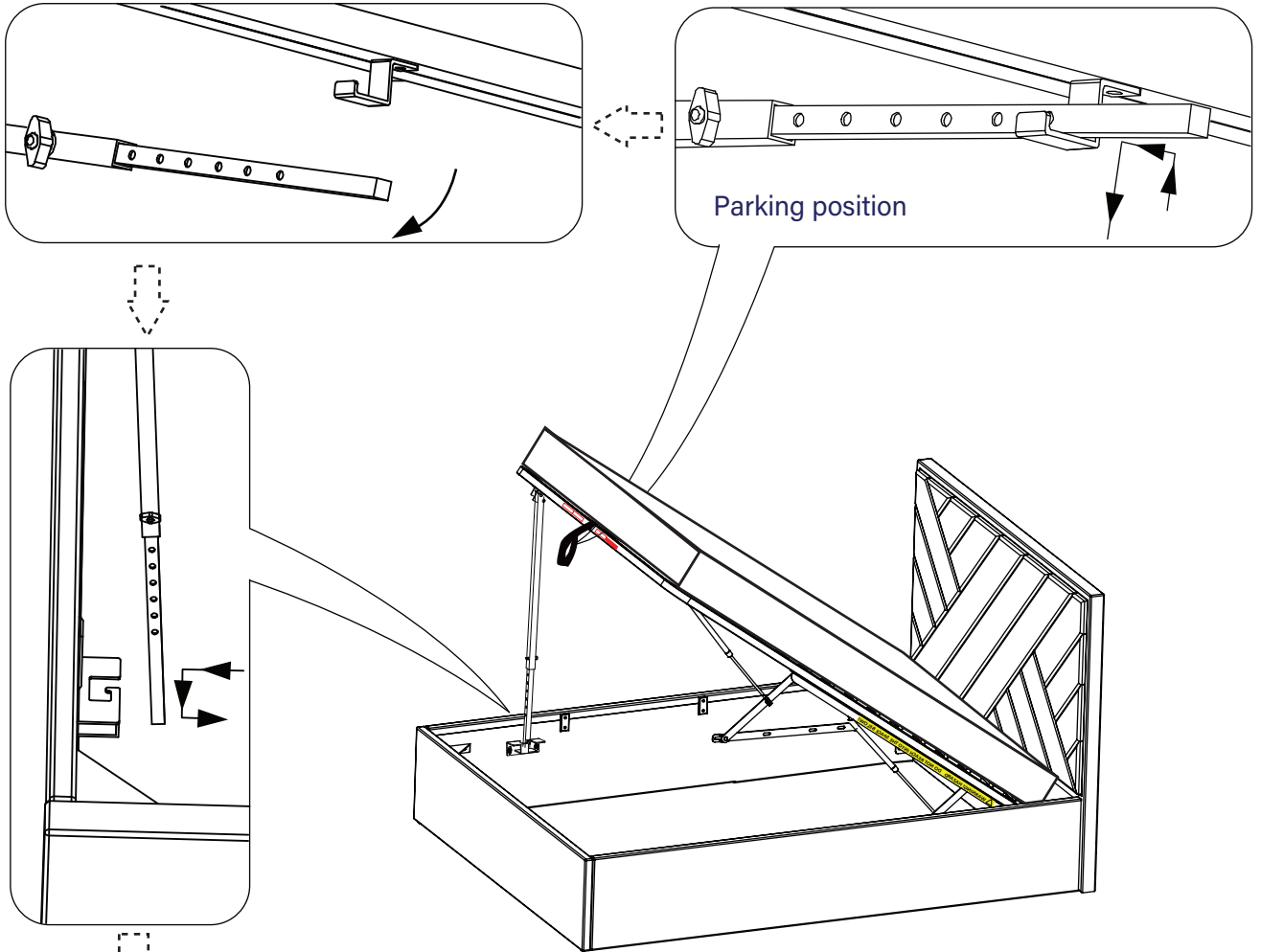
iii) Fit the fixed retaining bracket (P) to the side rail using two bolt sets (m, b, & c). Screw the bolts into the threaded inserts on the side rail. Make certain the bracket is level and at the correct height.

Please do not tighten 100% yet.

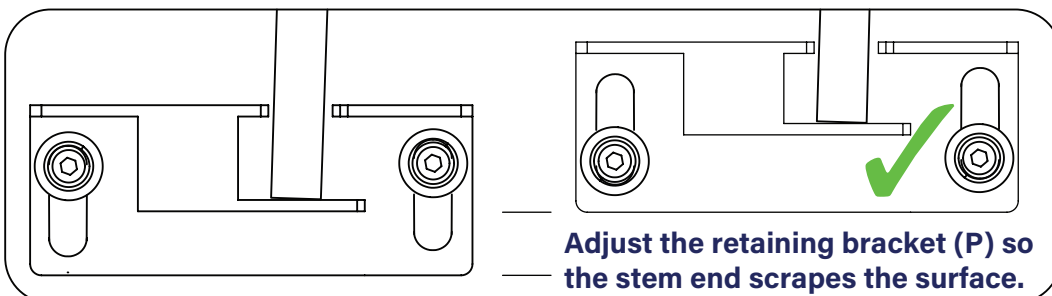
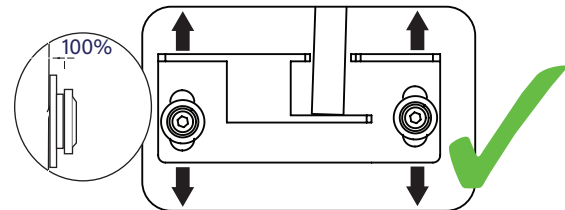
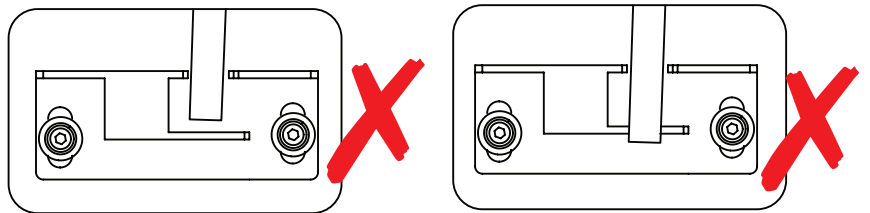


iv) The bolts should be in the centre of the long holes and one may need to slide the inner bar and the bracket, up or down so the bottom of the O.S.B stem just touches the surface - better to do this AFTER the mattress is fitted.

10 Setting the inner stem of the support bar (O), adjust the inner stem to the correct length.

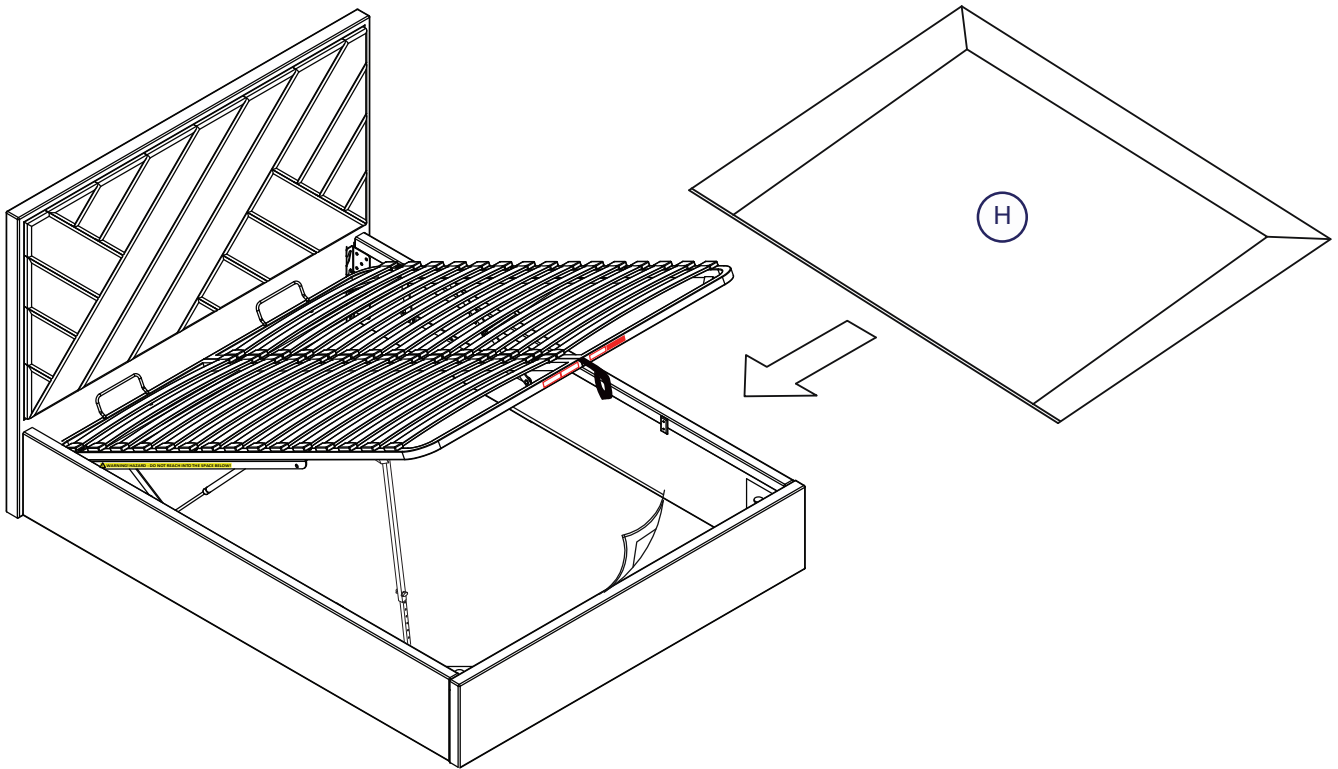


Set the inner stem to the correct length so the end just touches the retaining bracket - it needs to touch to hold it in position.

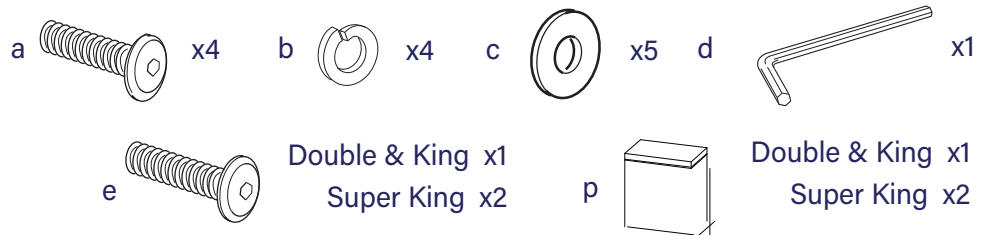


Adjust the retaining bracket (P) so the stem end scrapes the surface.

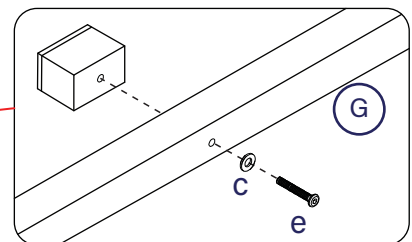
11 Fit the fabric base cover (H) evenly around the inside of the bed



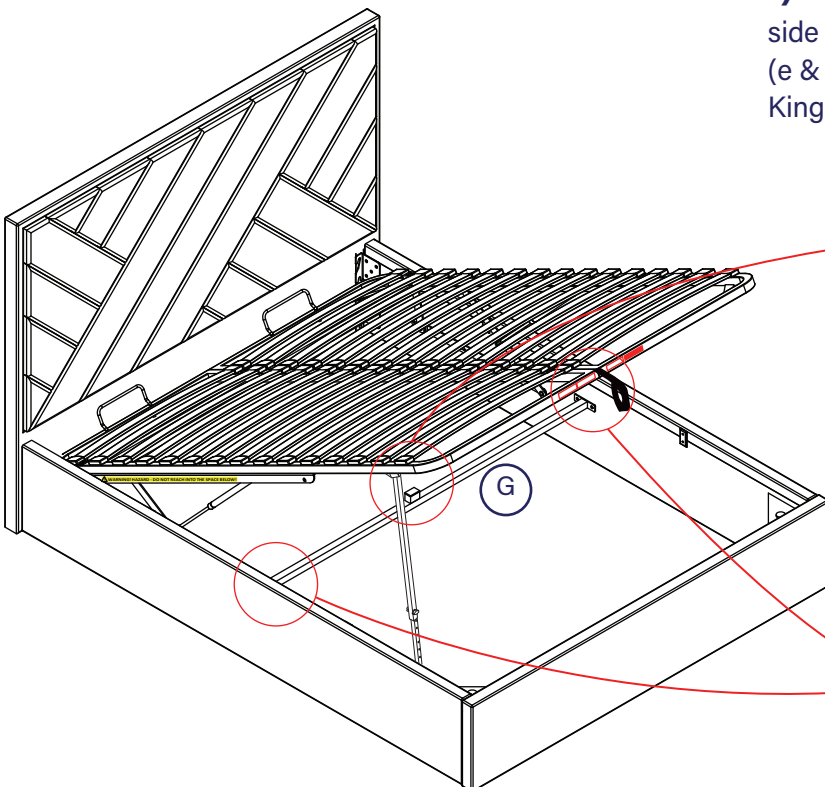
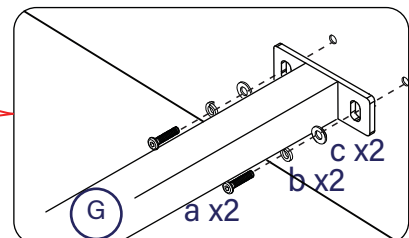
12 Fit the 'U' shaped side rail cross bar (G).



i) Fit the support block (p) in the centre of the side rail cross bar (G) using a bolt & flat washer (e & c) (N.B. there are two blocks on the Super King size). Tighten 100% using Allen key (d).



ii) Using four bolt sets (a, b & c) fit the cross bar (G) to both side rails (C&D). Tighten 100% using Allen key (d). Take care not to damage the fabric when fitting.



Technical Specifications

Overall Dimensions (LWH mm)

Double: 2050 x 1490 x 1220

King: 2150 x 1640 x 1220

Super King: 2150 x 1940 x 1220

Internal Dimensions (LWH mm)

Double: 1950 x 1380 x 315

King: 2050 x 1530 x 315

Super King: 2050 x 1830 x 315

Distance between slats (mm)

72

Ottoman Piston Rating

Double & King: 900 N

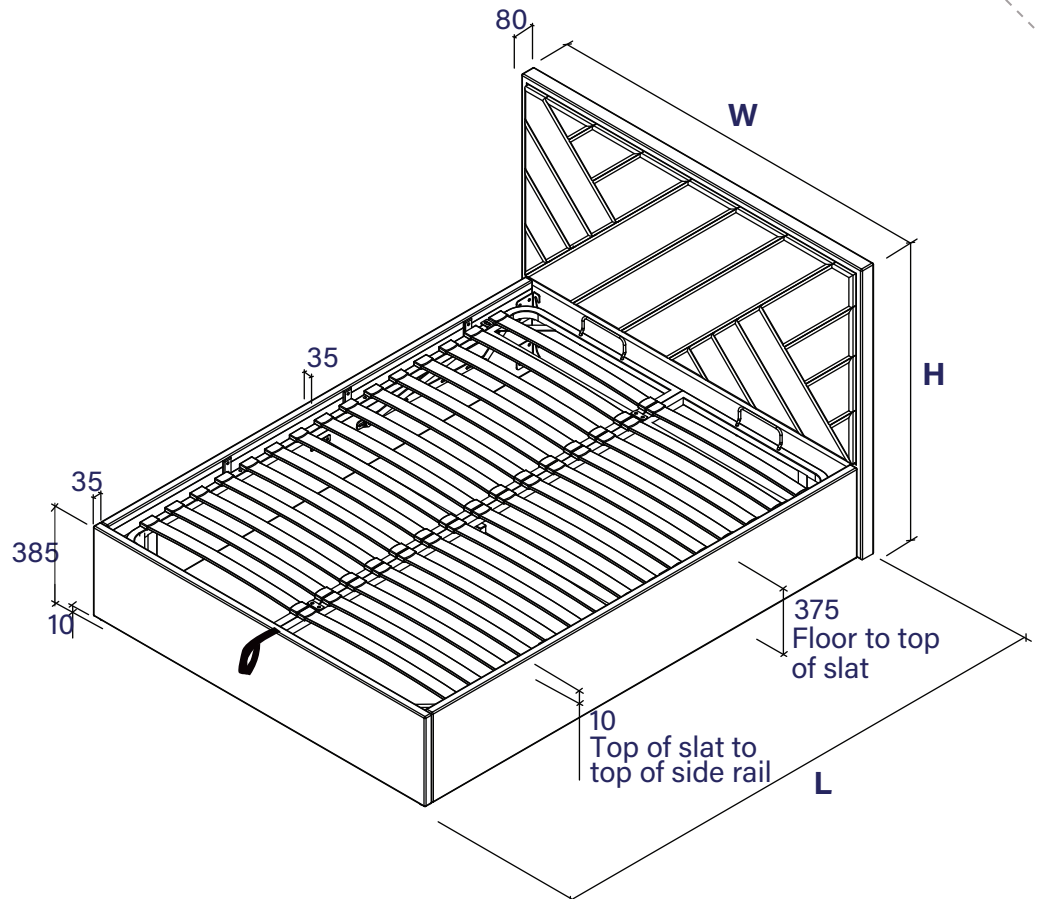
Super King: 1000 N

Slat Dimensions (LWH mm)

Double: 670 x 53 x 9

King: 745 x 53 x 9

Super King: 600 x 53 x 9



Care and maintenance

Here are some tips to keep your new bed in tip-top condition



Cleaning

To clean your new bed, we'd advise using a warm damp cloth or if fabric, remove dust using a low suction vacuum cleaner.

Please do not use abrasive chemicals or bleach as this may damage the product.



Checking and moving

Periodically we recommend you check that the screws or fixtures haven't become loose over time. To move your new bed, we recommend lifting it where possible, as dragging or pushing it could cause damage to the legs or flooring.



Wood

Please note each of our wooden pieces are unique, meaning that markings and shade can vary slightly between beds. Over a period of time, the wood might lighten or fade slightly due to light exposure.



Fabric

Please note depending on the lighting, positioning and surroundings of your room, the shade of the colour can sometimes appear slightly different. Over a period of time, the colour might lighten or fade slightly due to light exposure.



Metal

Metal tends to be more resilient to everyday wear and tear. We recommend to gently dust your metal furniture and keep it dry to maintain its look.

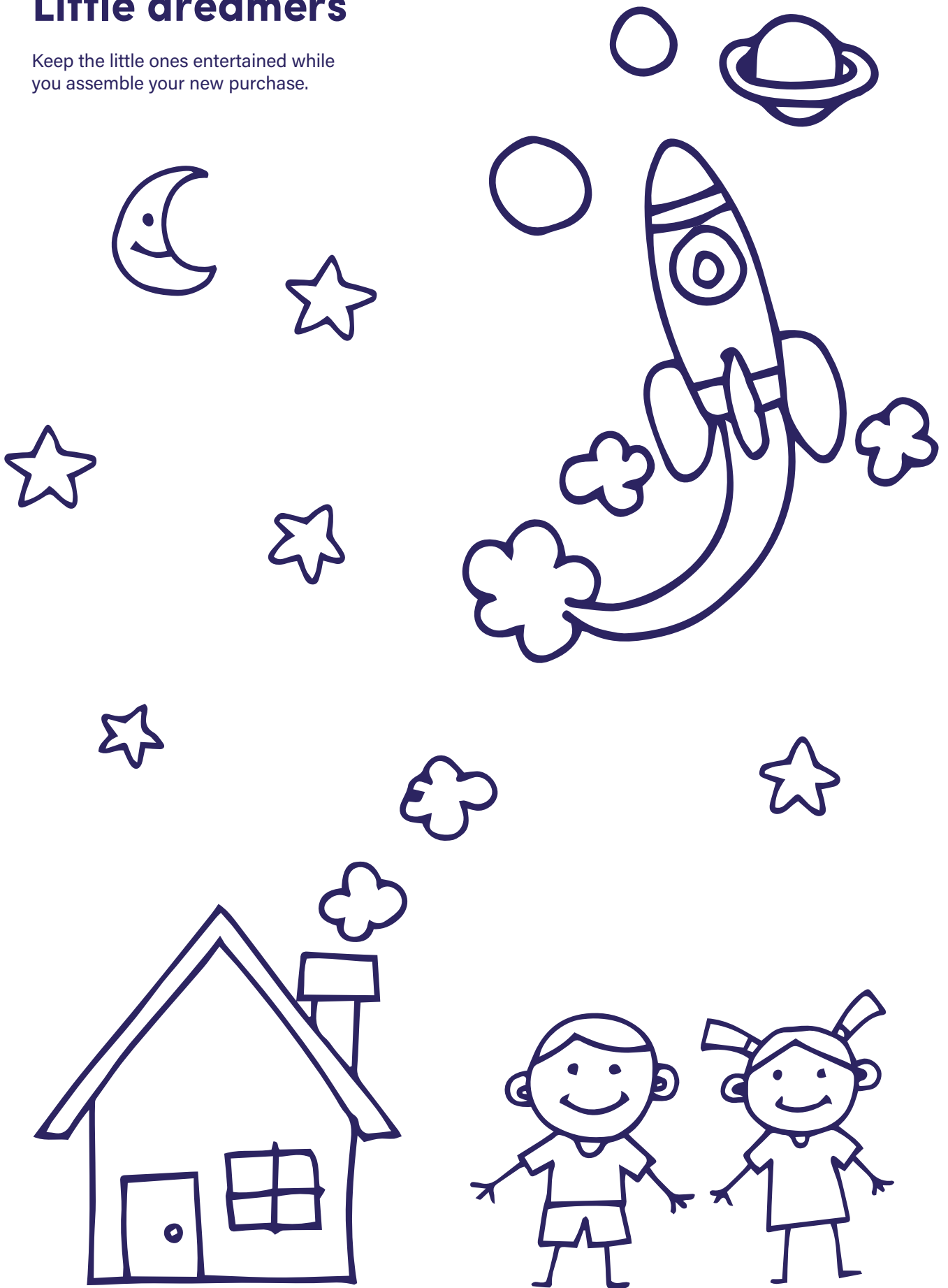
Thank you for shopping with us - we hope you have a great night's sleep.

Sleep well



Little dreamers

Keep the little ones entertained while you assemble your new purchase.



Dreams