

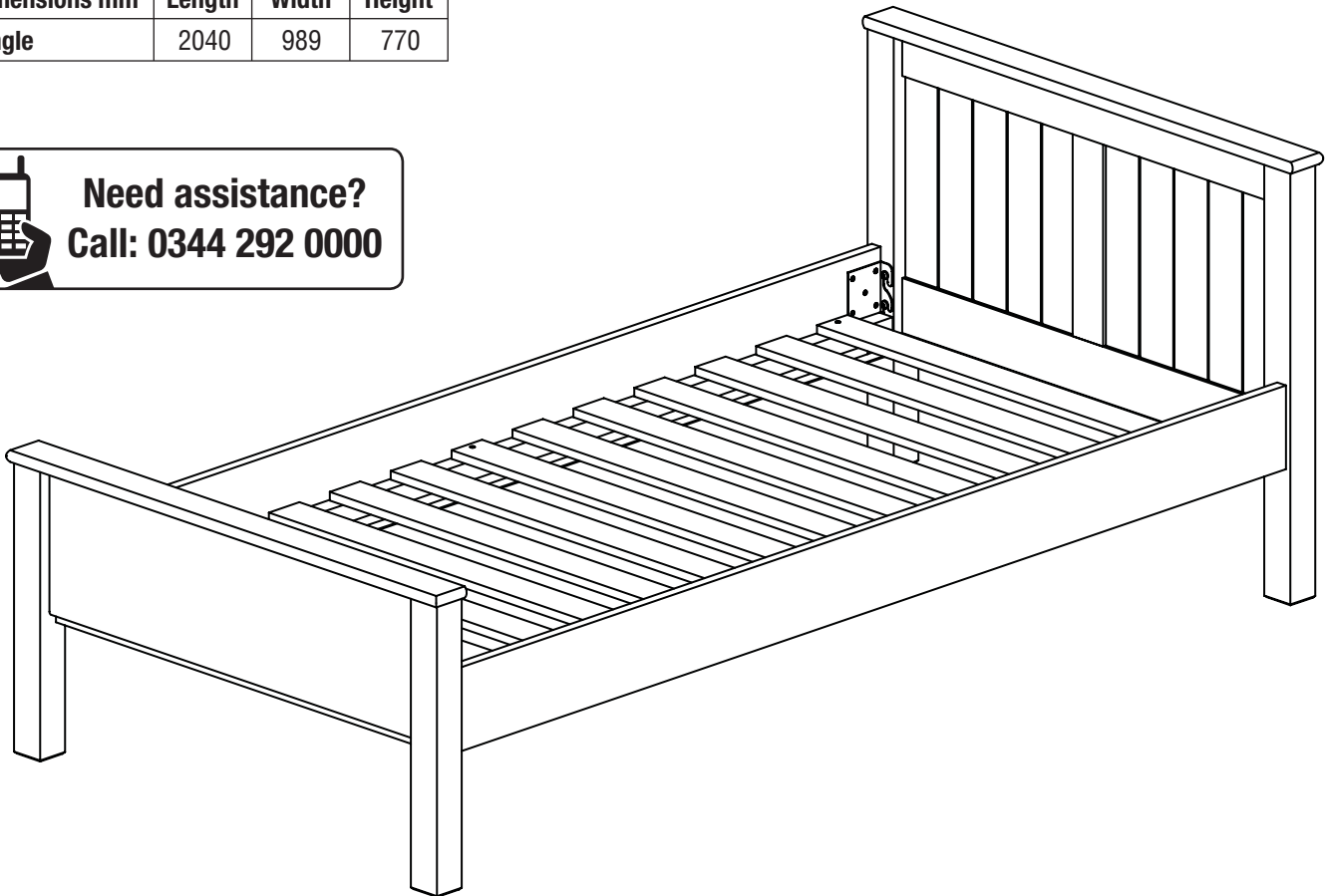
# Single bed

## Assembly Instructions

Dreams

**IMPORTANT - READ CAREFULLY - RETAIN FOR FUTURE REFERENCE.**

Dimensions mm	Length	Width	Height
Single	2040	989	770



### Helpful advise before you begin:

1. We suggest you spend a short time reading through this leaflet and then follow the simple step by step instructions.
2. If you follow the instructions carefully the end result should be worth the effort.
3. Do not discard any of the packaging until you have checked that you have all the parts and the pack of fittings.
4. Assemble this product on a carpet.
5. To ensure an easier assembly, we strongly advise that all fittings are only finger tightened during initial assembly. Only upon completion of the assembly should all fixing points be fully tightened.
6. We recommend a periodic check on all fixing points to make sure they remain fully tightened.
7. Keep glue and fittings out of children's reach.
8. Do not use any other tools other than those recommended to build this product.
9. Please do not use substitute parts. Use only additional or replacement parts supplied by Dreams Ltd.
10. In the unlikely event that this product has missing or damaged parts, please call 0344 292 0000 to obtain spares.



**You will require a cross head screwdriver**



**2 x people recommended to assemble this product**



**Approximate time to assemble this product**



**Retain these instructions for future reference**

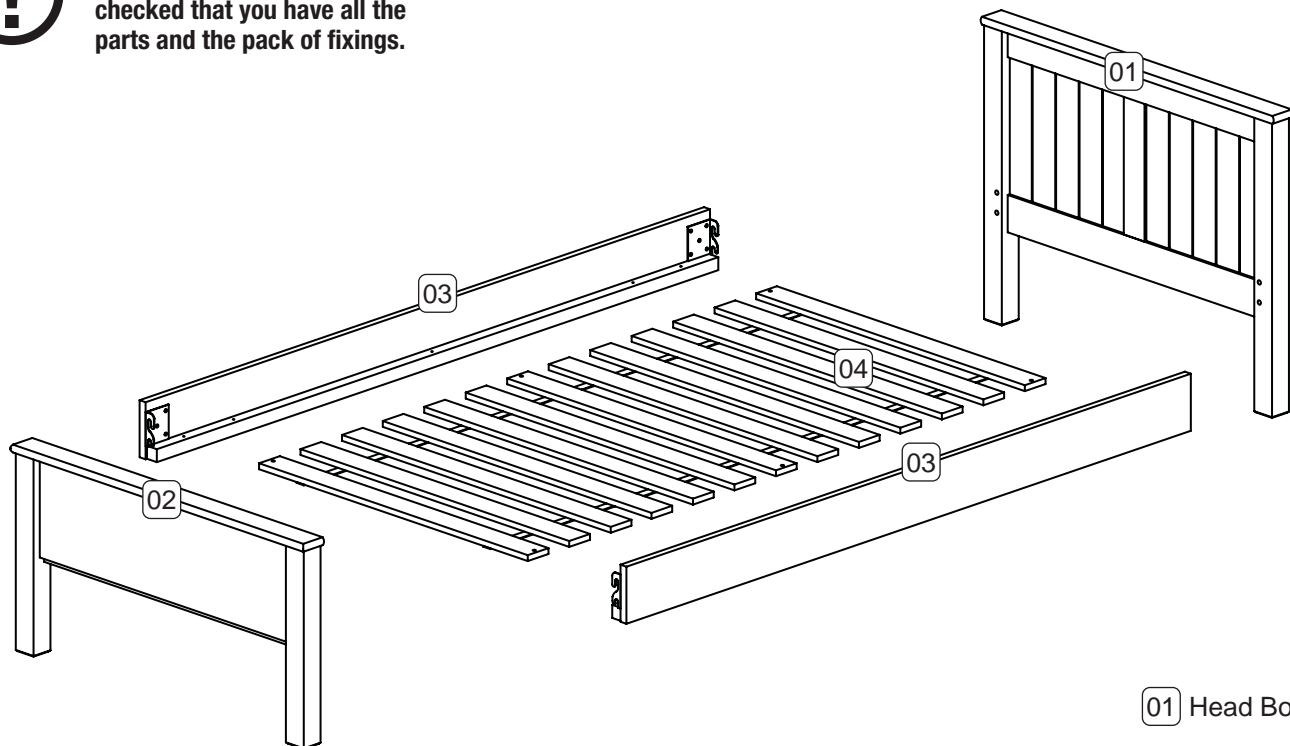


**Do not discard any of the packaging until you have checked that you have all the parts and the pack of fixings.**

# Parts Checklist



Do not discard any of the packaging until you have checked that you have all the parts and the pack of fixings.



01 Head Board

02 Foot Board

03 Side Rail

04 Slat System

# Fittings Checklist

M7.8x30mm Bolt



A x 8

M8 Spring Washer



B x 8

M8 Flat Washers



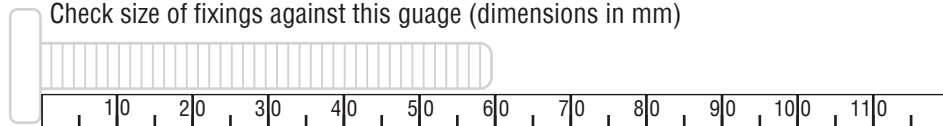
C x 8

M4 Allen key

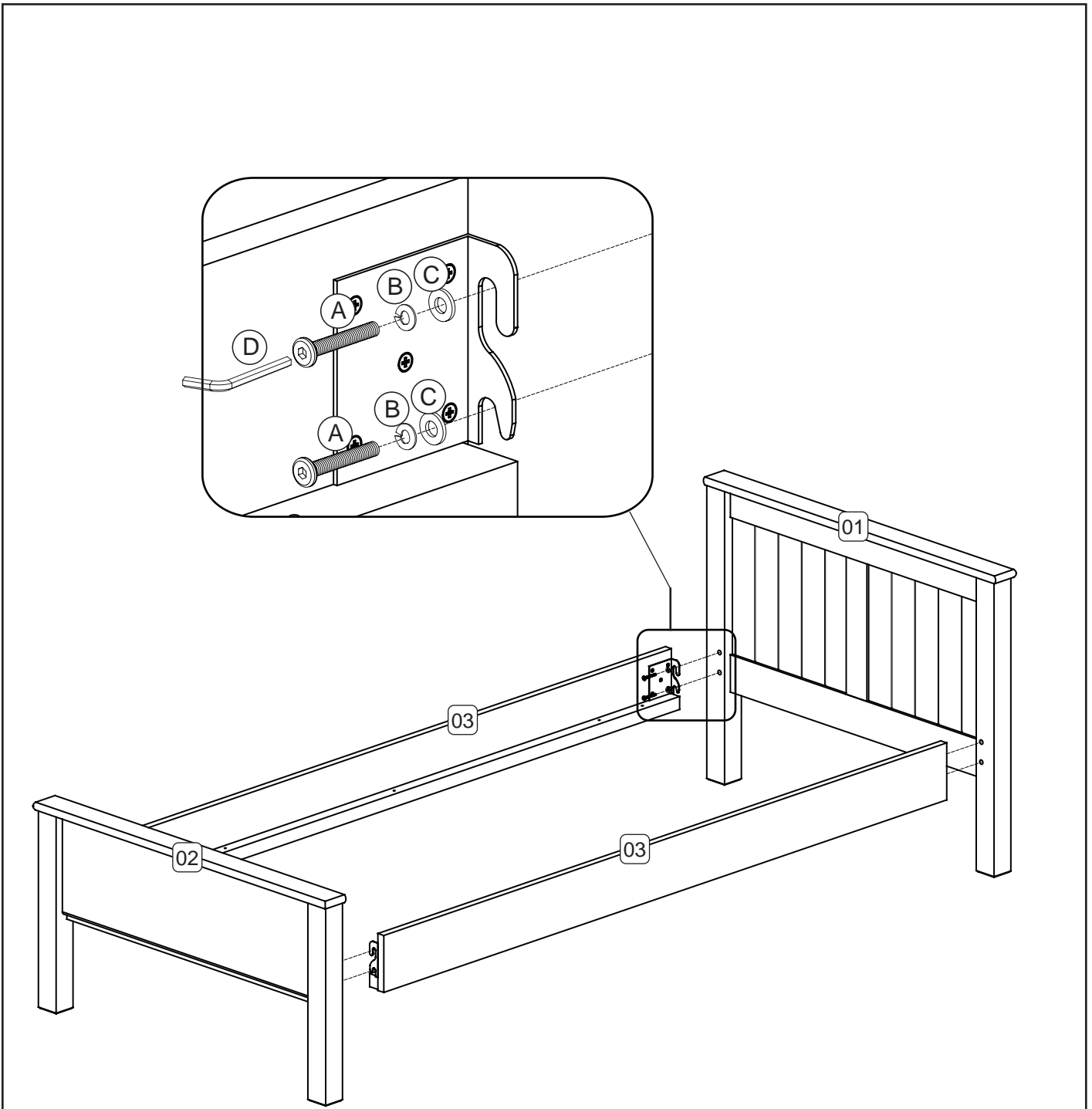


D x 1

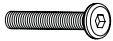



Check size of fixings against this guage (dimensions in mm)



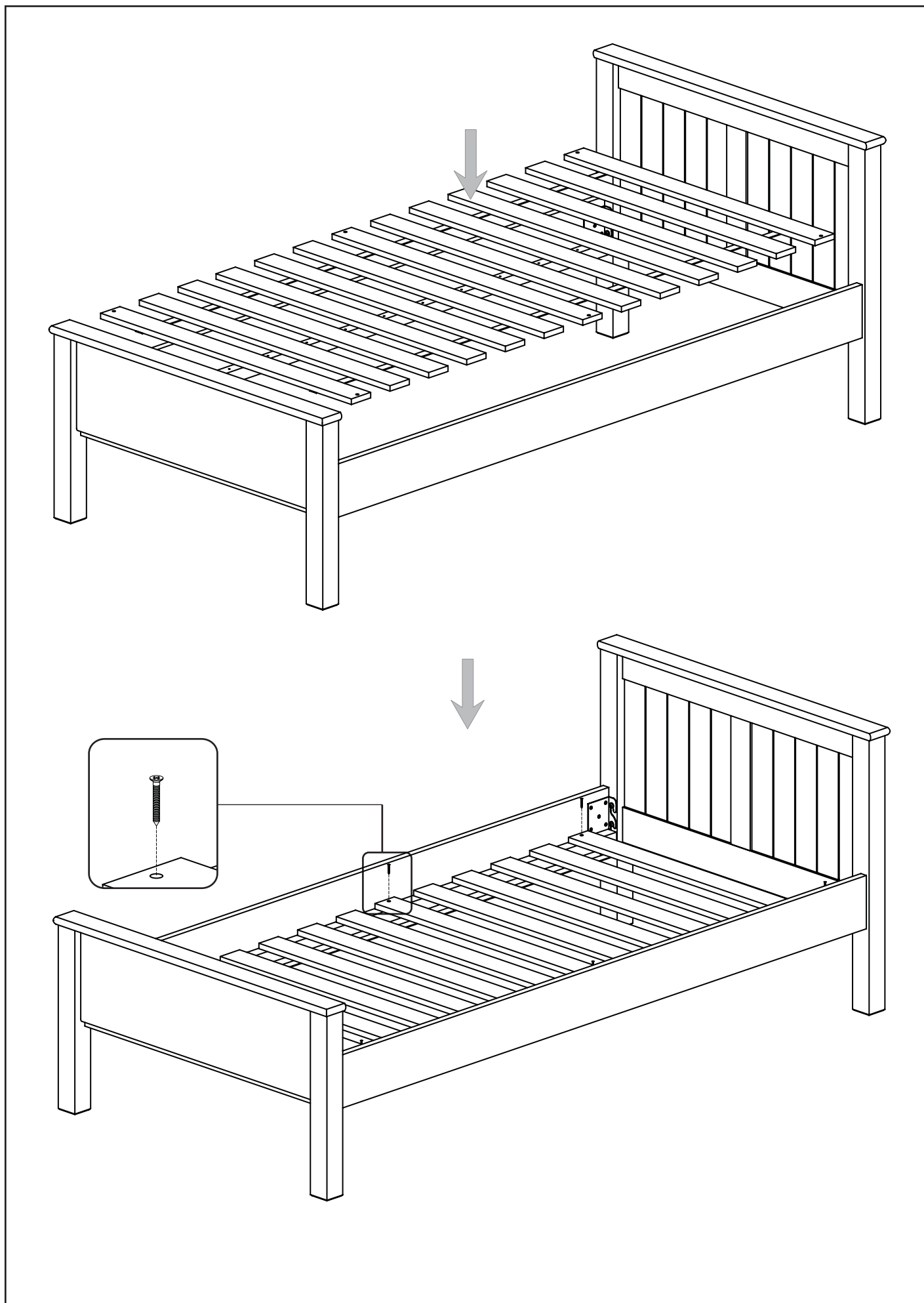
# Bed Frame Assembly



 Fully Tighten bolts when the bed frame is assembled and in position

<b>(A)</b> M7.8x30mm Bolt <b>x 8</b>	<b>(B)</b> M8 Spring Washer <b>x 8</b>	<b>(C)</b> M8 Flat Washers <b>x 8</b>	<b>(D)</b> M4 Allen key <b>x 1</b>
			

# Standard Wooden Slats Assembly



# Instruction for use

- **WARNING:** Do not place this bed near heat sources, windows and other furniture.
- **WARNING:** Do not place this bed if any part is broken, torn or missing.
- This product complies with European Standard BS EN 747-1:2012+A1:2015 & 747-2:2012 + A1:2015.
- This bed is not suitable for the children under 4 years old.
- The recommended size of the mattress is 90x190cm.
- Always follow the instruction of manufacturer.
- Check regularly that all assembly fastenings are properly tightened.
- The maximum thickness of the mattress is 15cm.
- The bed should be cleaning and maintenance oftenly.
- The children are likely to play, bounce, jump and climb on beds, therefore this bed should not be placed too close to other furniture or windows, blind cords, curtain pulls or other strings or cords, and should be placed either tight to any wall or have a gap of 300mm between the wall and the side of the bed.

## Care of your Dreams Furniture

**Your new bed from Dreams is more than a beautiful piece of furniture. It's an investment in your health and wellbeing. Care for it well and you'll enjoy a great night's sleep for many years to come.**

**Should you have any issues with your product please contact our customer service team on 0344 292 0000**

## On Delivery

Once your new bed is in place and all the packaging is removed, let it air for approximately 1 hour before putting on your mattress, mattress protector and bed linen.

Don't worry if your bed feels a little strange at first. It takes time for your body to adjust to a new level of support and comfort. You'll soon be enjoying a more relaxed sleep.

Please consider the surface your bed will be stood on. If your bed frame is to be stood on an uncarpeted surface please ensure that you use rubber backed mat under the legs to avoid slipping.

## Returns

If you have bought a large item such as a bed or mattress which is damaged or faulty and would like to return it, we will be able to arrive at your home and take your item away. All we ask is that your item is in perfect condition and in its original packaging (you can open the packaging to inspect your item). Items will not be able to be returned if they are not in their original packaging.

For online and telesales orders, you can only return an item within 14 days from the date of your delivery.

## Day to day Care

Please use only 5% soap, 95% water solution, wiping with a damp cloth. Finally dry with a soft clean cloth. Dust with a soft clean cloth only.

Check all bolts, screws and legs regularly to make sure they haven't loosened and tighten all joins of your furniture or bedstead after 6 months. Please keep these instructions in a safe place for further use.

Storage Drawers in Bedsteads are designed to carry lightweight items such as Pillows, duvets and linen. Please try to avoid storing heavier items such as books or toys.



[www.dreams.co.uk](http://www.dreams.co.uk)

Thank you for purchasing from **Dreams**

Dreams reserve the right to modify products, dimensions, parts and fixings without notification.



**Need assistance?**

**Call: 0344 292 0000**