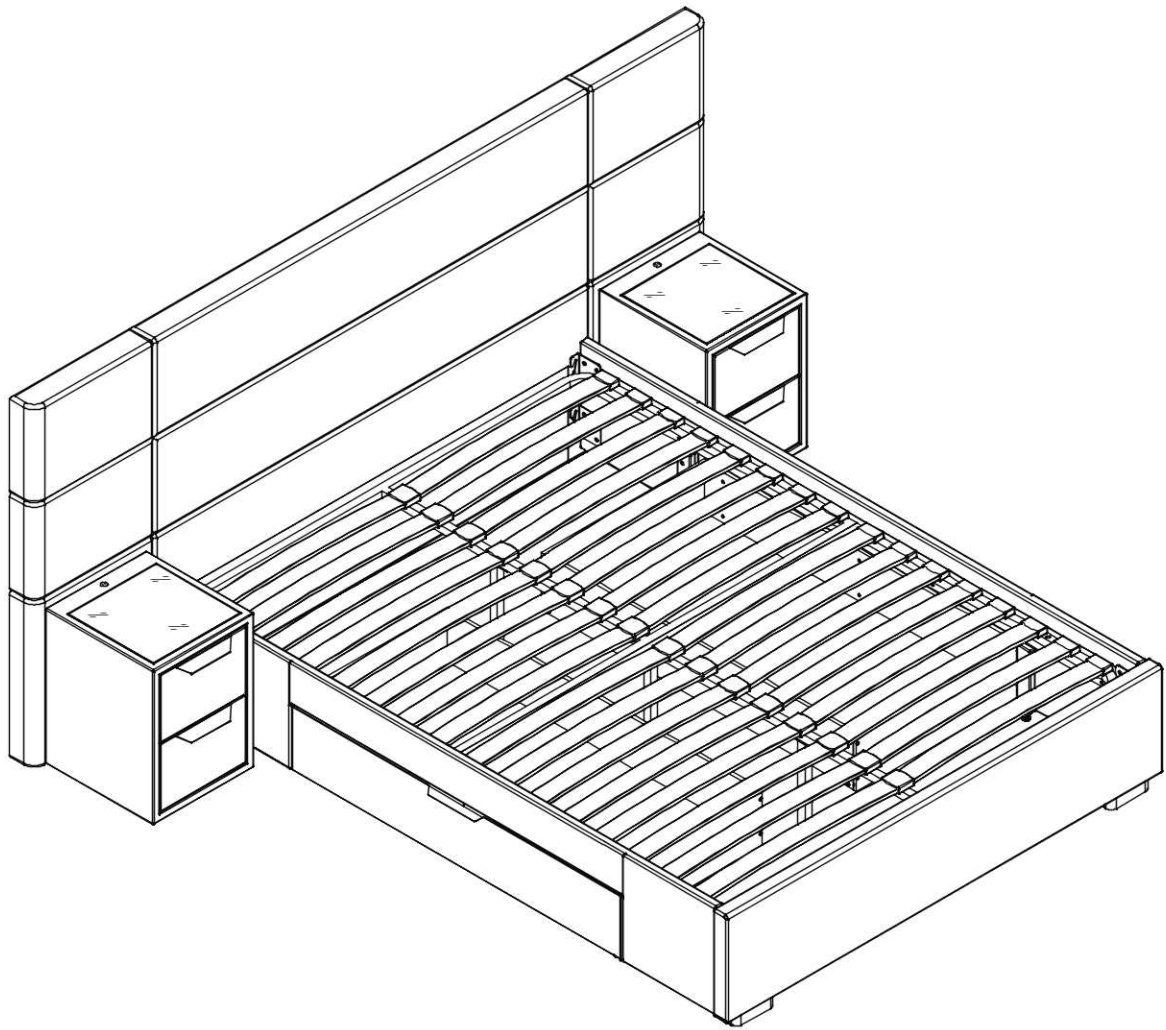


# Hart Storage Bed

Double  
King



2 hour approx  
assembly time



Two person  
assembly

**Dreams**

# Thank you

Hello, thanks for choosing to purchase your bed from Dreams - you're now on your way to your best ever night's sleep. Before you begin building your bed, please take a moment to read through the instructions and make sure that you've got all the relevant parts listed on the following pages.



## Assembly tips

Before you begin, it's best to identify all parts and fittings to build your bed. We advise laying these out on the floor to check you have everything, and familiarising yourself before building.



## Top tip

We recommend that you build your new bed in the room you'd like it to be located - this will help prevent any risk of damage to your newly built bed whilst moving it.



## Safety and care

It's really important to ensure children and animals are kept away from the assembly area, as there are small components used in this bed which could present a choking hazard. All plastic and wrapping materials should also be kept away from children and animals to prevent any risk of suffocation. To keep your little ones busy, there is a colouring page inside the back cover.



## Help and support

At Dreams, it's our mission to give the whole nation a great night's sleep - this means that the quality of our products is of utmost importance to us. If there are any issues with your product or any missing parts, please contact our Help Centre on 0800 652 6750, where a member of our team will be happy to help. (For customers based in Northern Ireland, please call 028 9050 8300)



## Recycling

Please ensure that packaging is disposed of in a safe and environmentally friendly way, and recycle where possible. Our assembly instructions are printed on recycled paper. Please keep your assembly instructions safe to refer back to in the future.

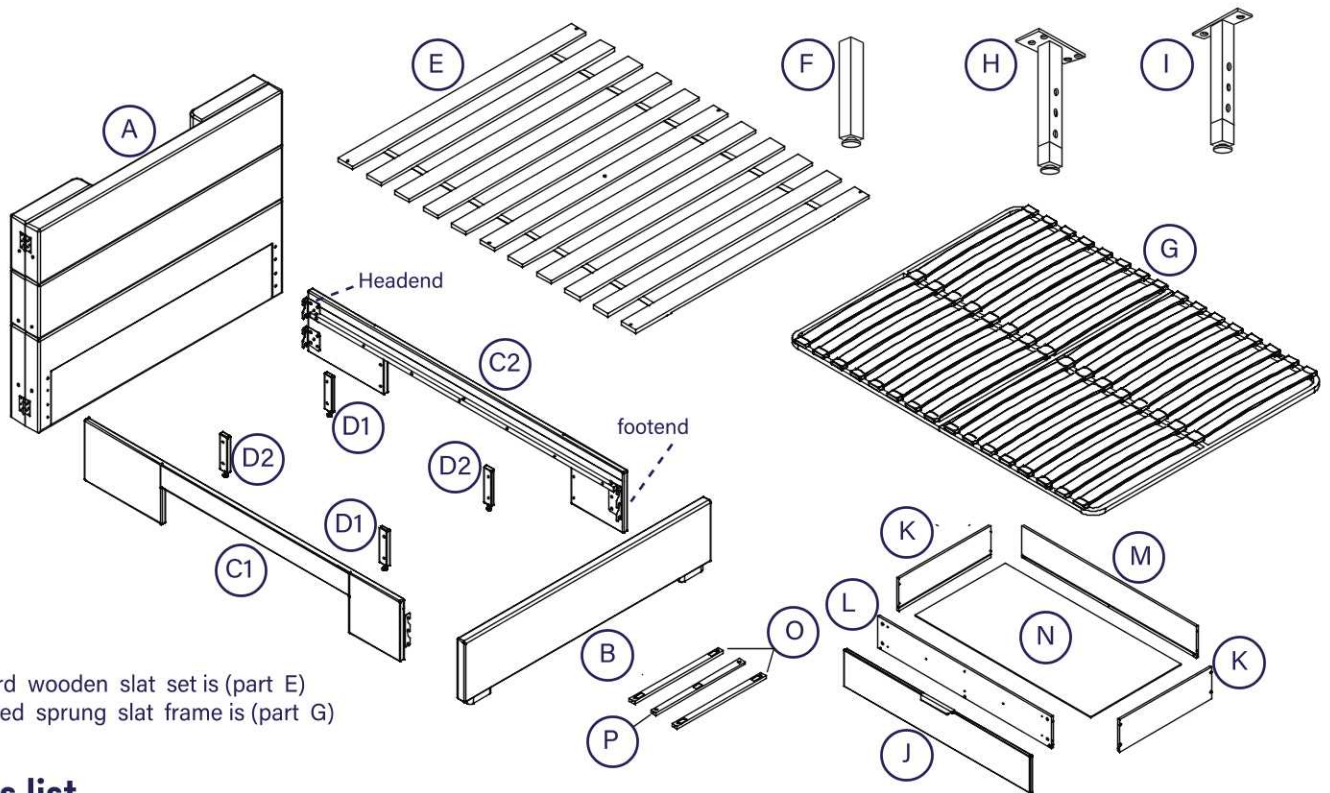
# Parts

## Important information

The bed you have purchased comes with 3 different base options; solid slats, sprung slats or with Sleepmotion. Please identify which base you have purchased as the assembly method may change.

If you have purchased solid or sprung slats please follow the instructions below in the current order.

If you have purchased a Sleepmotion base, please build the Sleepmotion base following the instructions provided in the Sleepmotion Carton (Pack 3L). Once the base is built please follow the AI provided in Pack 3L to build your frame around the Sleepmotion Base.



Note:  
Standard wooden slat set is (part E)  
Upgraded sprung slat frame is (part G)

## Parts list

A.	Headboard	1	J.	Drawer Face Panels	2
B.	Footboard	1	K.	Drawer Side Panels	4
C1&C2.	Side rails	1Pr	L.	Drawer Front Panels	2
D1&D2.	Adjustable Support Leg	2Pr	M.	Drawer Back Panels	2
E.	Wooden Slat Set	1	N.	Drawer Bottom Panels	2
F.	Wooden Slat Set Support Leg	1	O.	Drawer Bottom Support Rail - Ends	4
G.	*Upgraded Sprung Slat Frame*	1	P.	Drawer Bottom Support Rail - Centre	2
H.	*Sprung Slat Frame Centre Support Leg*	1			
I.	*Sprung Slat Frame End Support legs*	2			

\* Only supplied if upgraded sprung slat frame is chosen.  
Legs (H&I) are supplied in the carton of the sprung system.

# Tools required



Tape measure



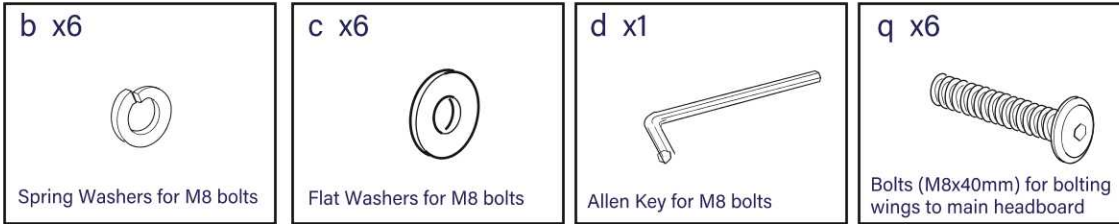
Cross head screwdriver



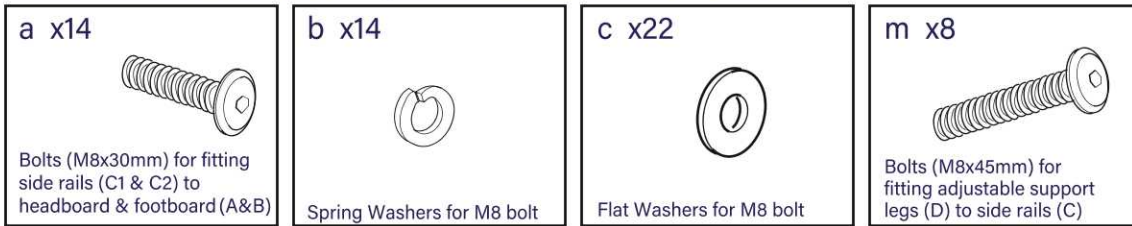
# Fittings

Please check you have all the parts listed below with your product:

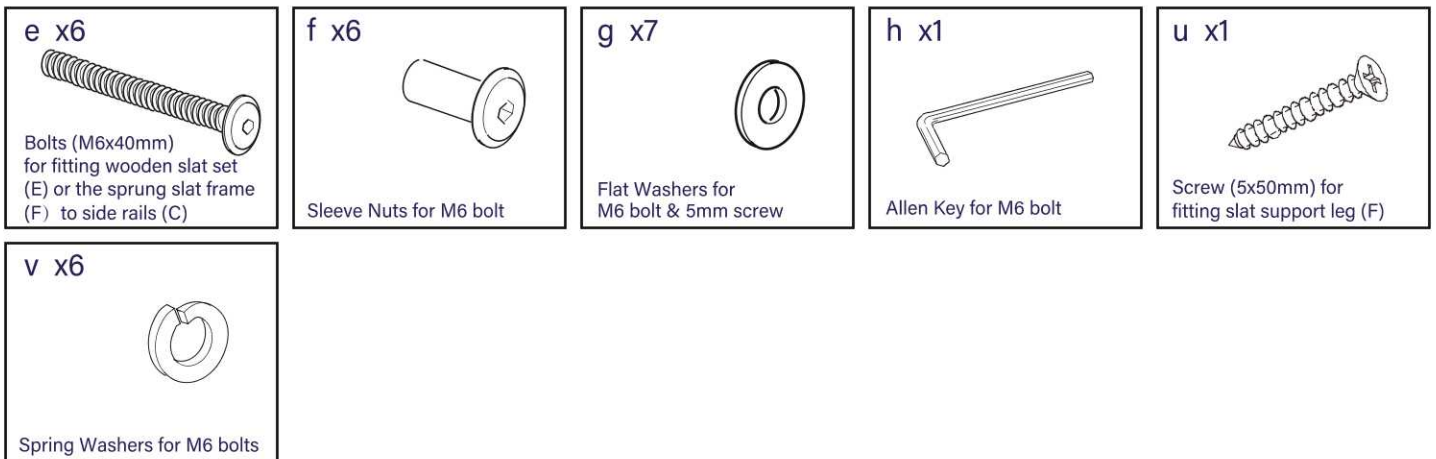
## Hardware pack (A) needed for fixing wings to headboard - packed in side rails - Pack 3



## Hardware pack (B) needed for fixing side rails to headboard & footboard - packed in side rails - Pack 3

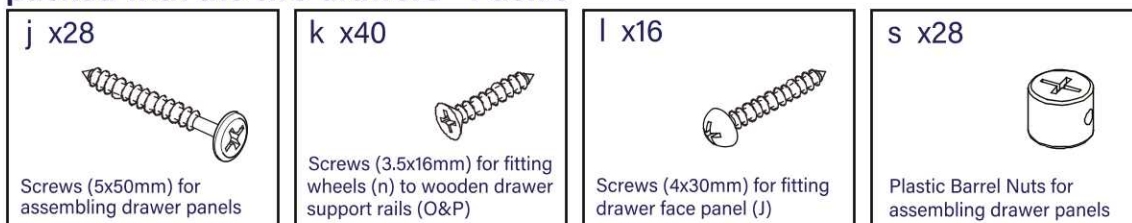


## Hardware pack (C) needed for fitting wood slats or upgraded sprung slat frame - packed in side rails - Pack 3



## Bedsides are fully assembled and packed separately - Pack 4

## Hardware pack (D) needed for drawer assembly - packed with the two drawers - Pack 5



## Hardware pack (E) needed for fitting wheels to drawers - packed with the two drawers - Pack 5

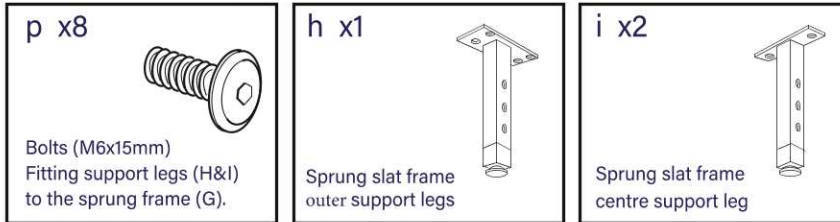


# Fittings

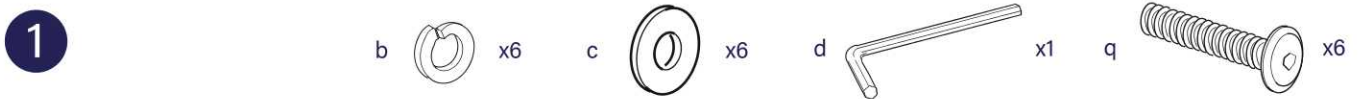
Please check you have all the parts listed below with your product:

## Extra hardware included when fitting upgraded sprung slat frame

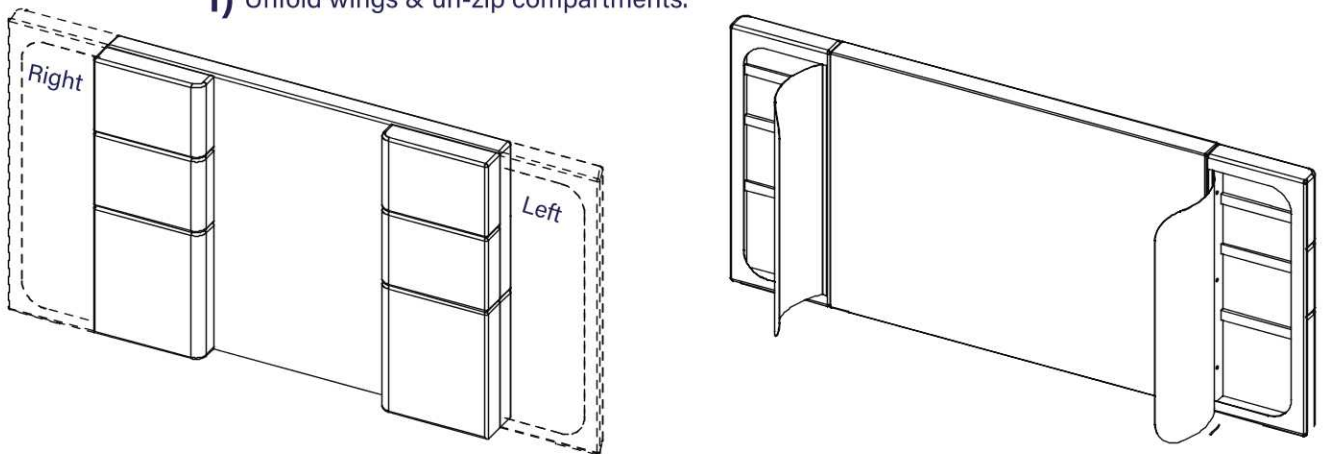
Note: the following fittings will be found in the carton which contains the upgraded metal slat frame itself.



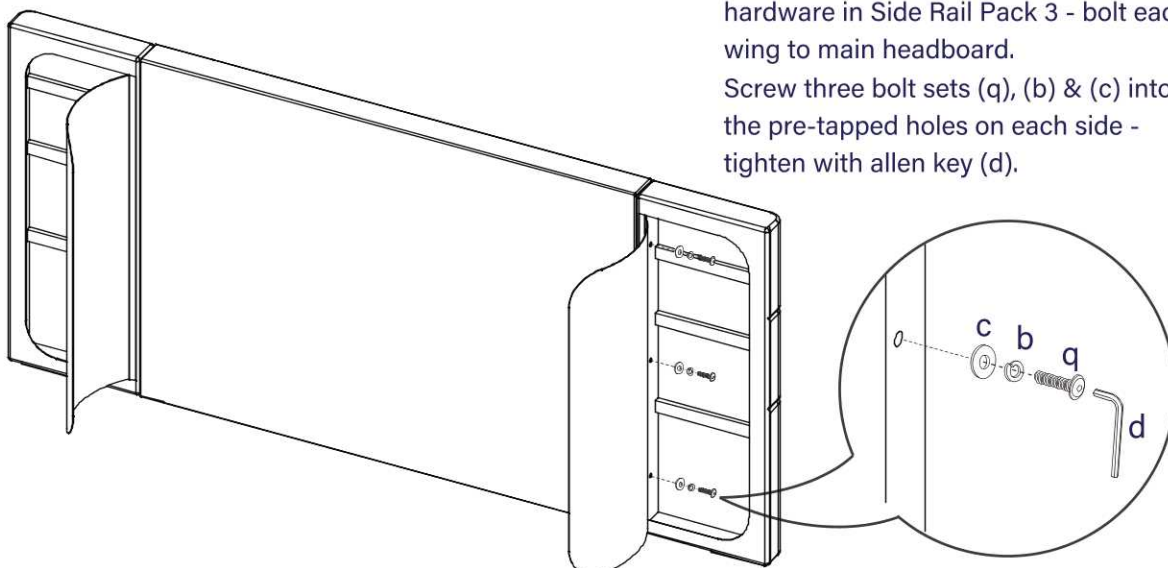
# Headboard assembly - use pack 'A'



**i)** Unfold wings & un-zip compartments.



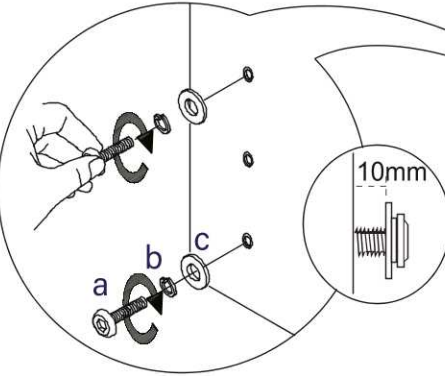
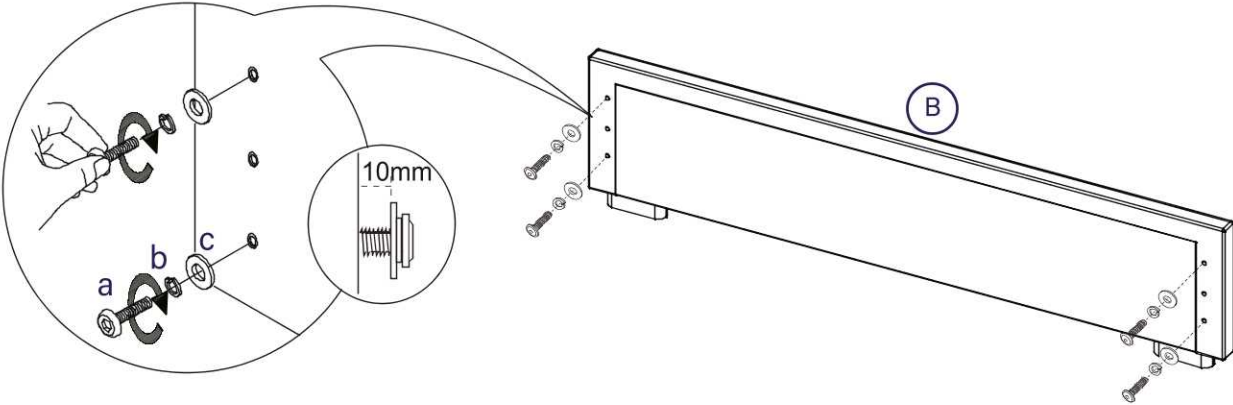
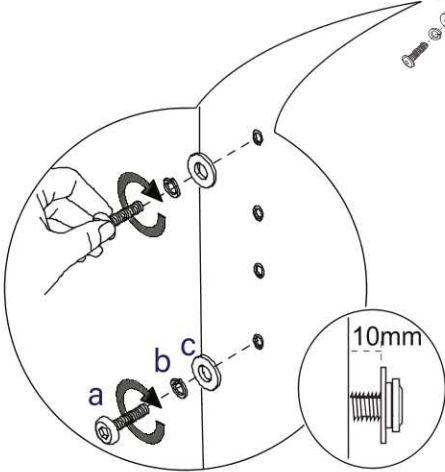
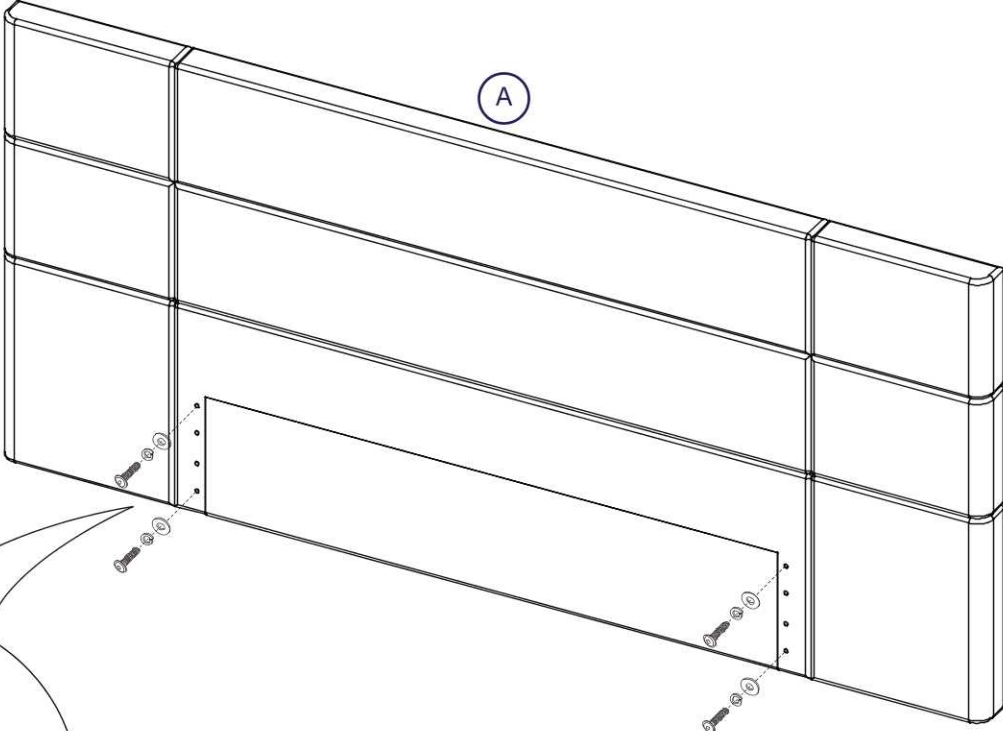
**ii)** Using Hardware Pack (A), packed with hardware in Side Rail Pack 3 - bolt each wing to main headboard.  
Screw three bolt sets (q), (b) & (c) into the pre-tapped holes on each side - tighten with allen key (d).



# Bed assembly - use pack 'B'

2

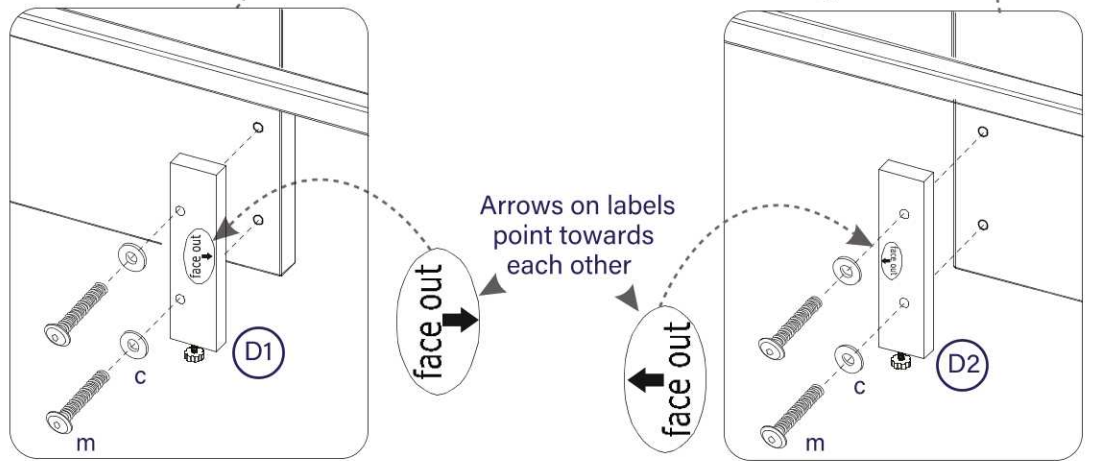
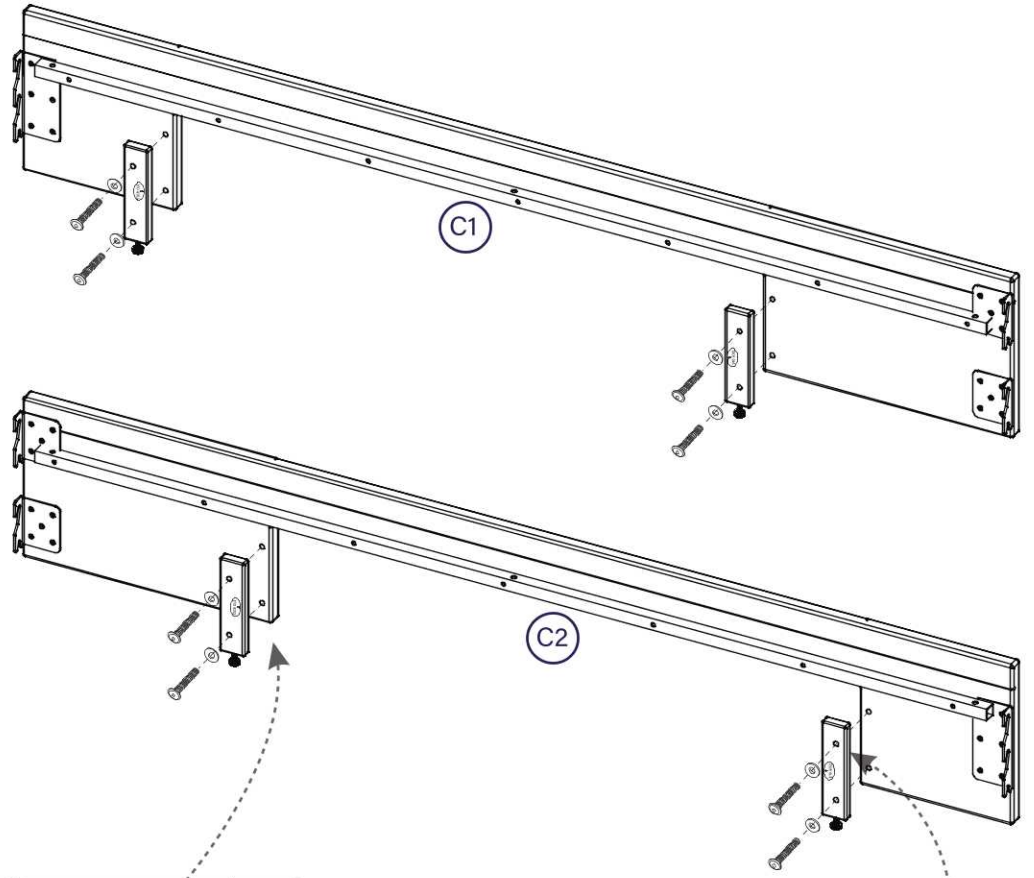
- a  x8
- b  x8
- c  x8



3



Fix support legs (D) from inside bed frame into the prethreaded holes in both side rails (C1 & C2). Make certain the labels are as shown in the diagrams - they must point towards each other. The legs are then in the correct place to stop the drawer going under the bed.

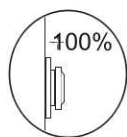
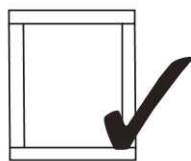
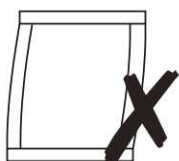
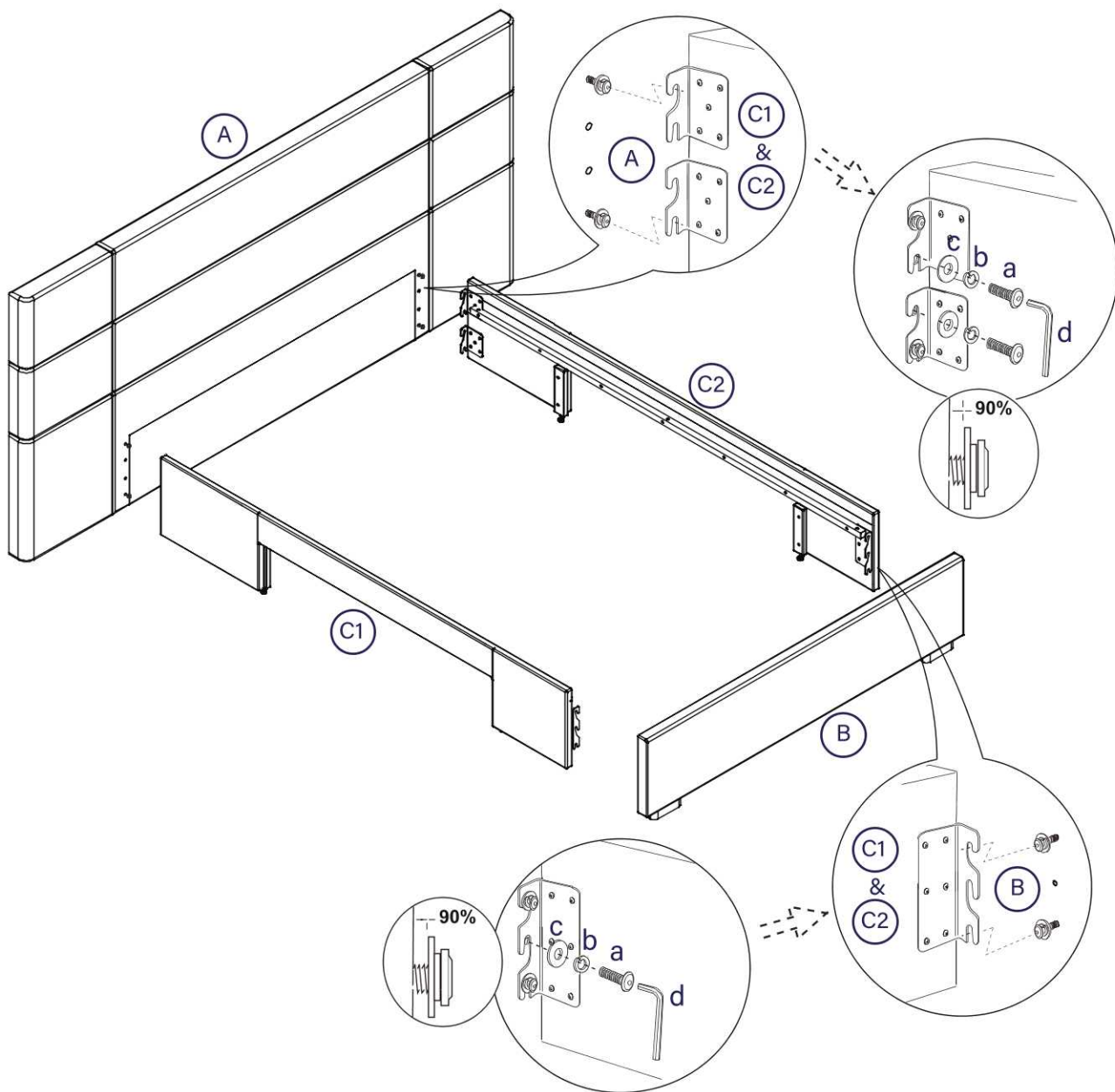
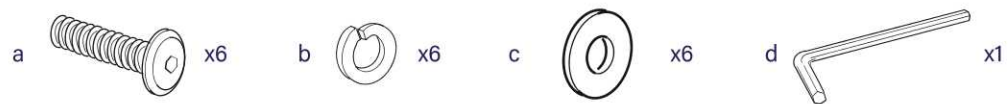


Carefully adjust feet so they just touch the floor keeping side rails level when bed is in use.





4



Make certain the bed is squared up as shown in the diagram then tighten all bed assembly bolts 100%.



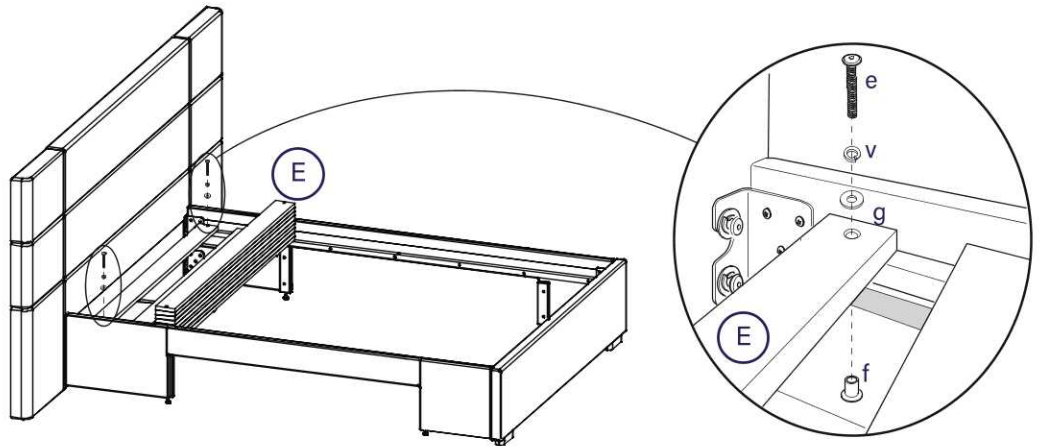
# Fitting wooden slats - use pack 'C'

5a

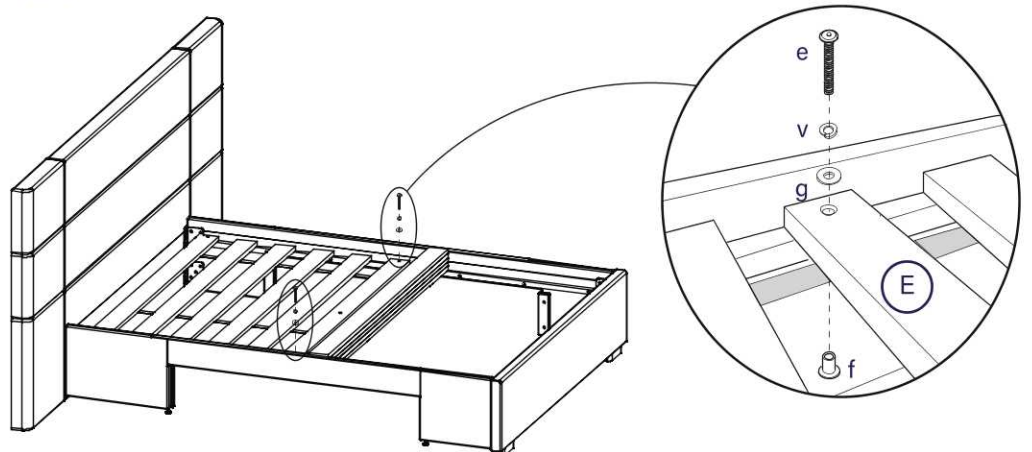


- i) Using two bolts (e) with spring washers (v), flat washers (g) and sleeve nuts (f) loosely fix one slat next to headboard.

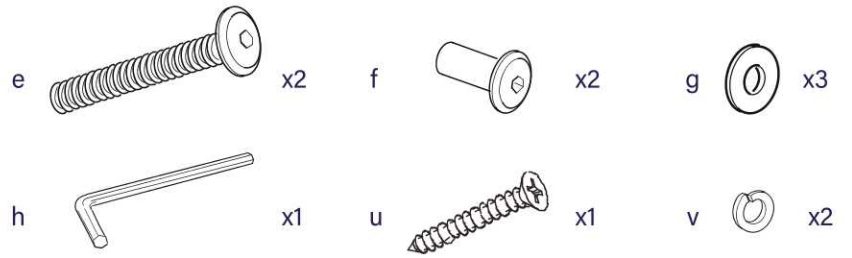
Carefully lay wooden slat set (E) on the metal supports on each side rail.



- ii) Roll out wooden slats just over half way down the bed and using two more bolt sets, loosely bolt the central slat into position - align slats and fix all four bolt sets 100% using Allen key (h).

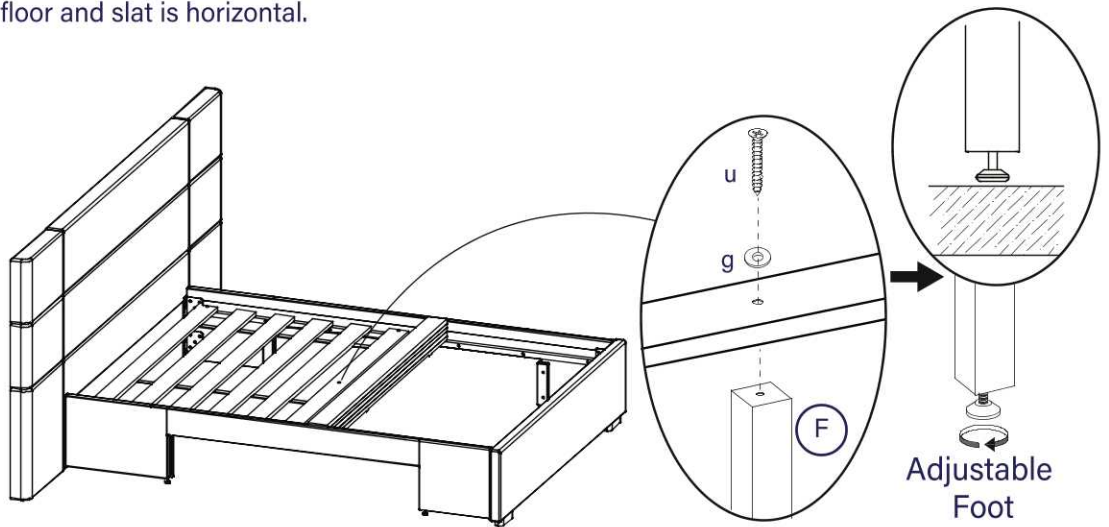


5a

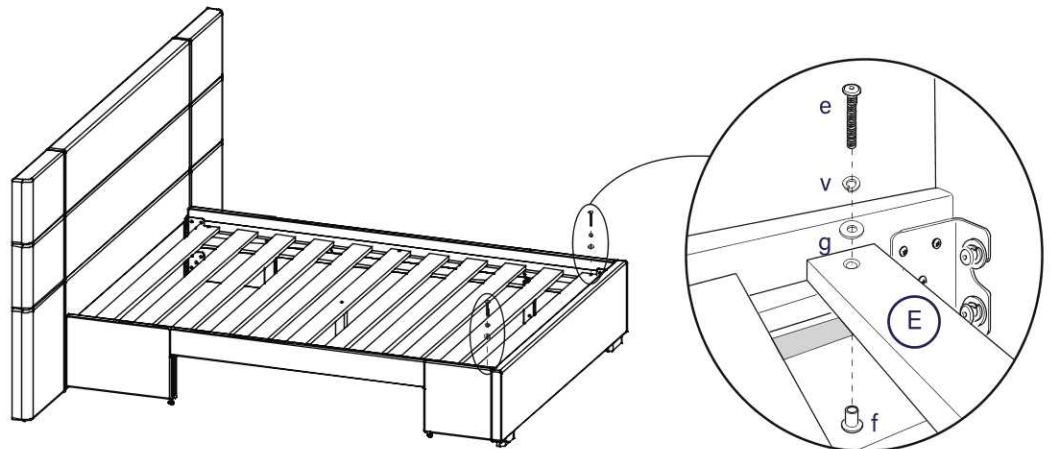


- iii) Fit centre slat with the support leg (F) using screw (u) and flat washer (g). Fully tighten using a cross-head screwdriver.

Carefully turn adjustable foot clockwise until it just touches the floor and slat is horizontal.



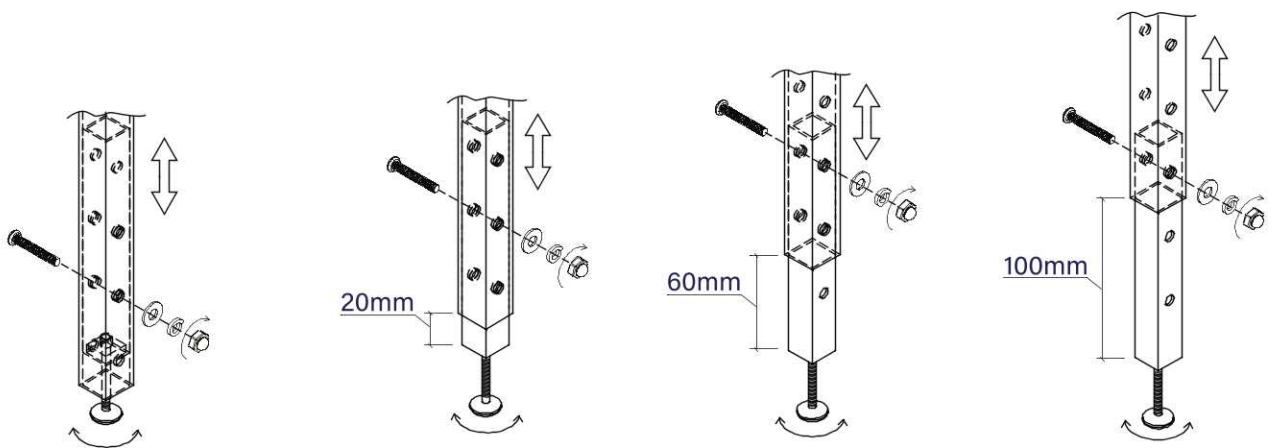
- iv) Roll out rest of the wooden slats and fix with last two bolt sets; fully tighten using Allen key (h).



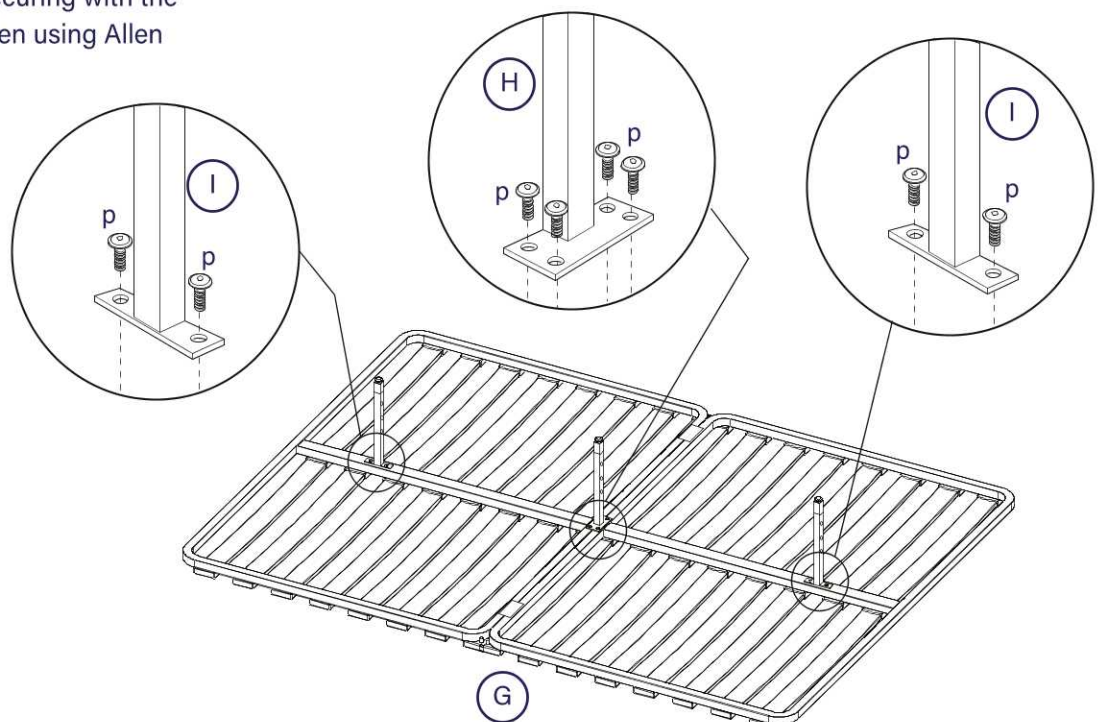
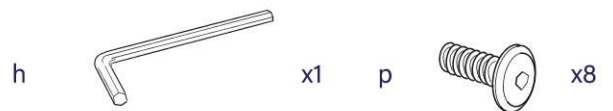
# Fitting upgraded sprung slat frame use pack 'C'

5b

- i) 1. The support legs each have four adjustable parts that need to be set to suit the height of the bed slat frame.  
Please adjust the height of each leg by selecting the correct hole and inserting the bolts and nuts as shown.  
2. You can fine-tune the height of each leg by screwing the adjustable foot in or out so it just touches the floor.

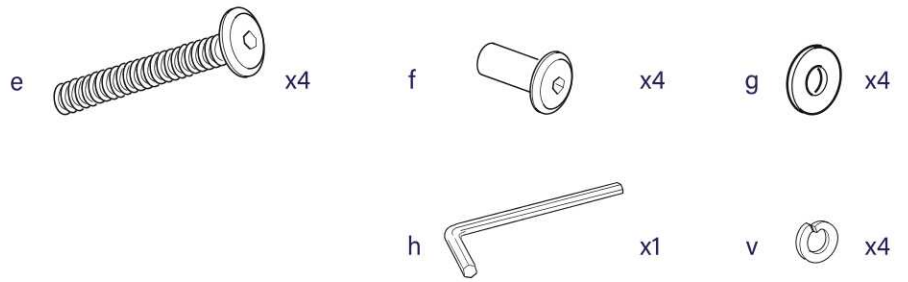


- ii) Open the sprung slat frame and lay face down on the working surface. Fit the support legs (H & I) to the positions shown, securing with the bolts (p). Fully tighten using Allen key (h).

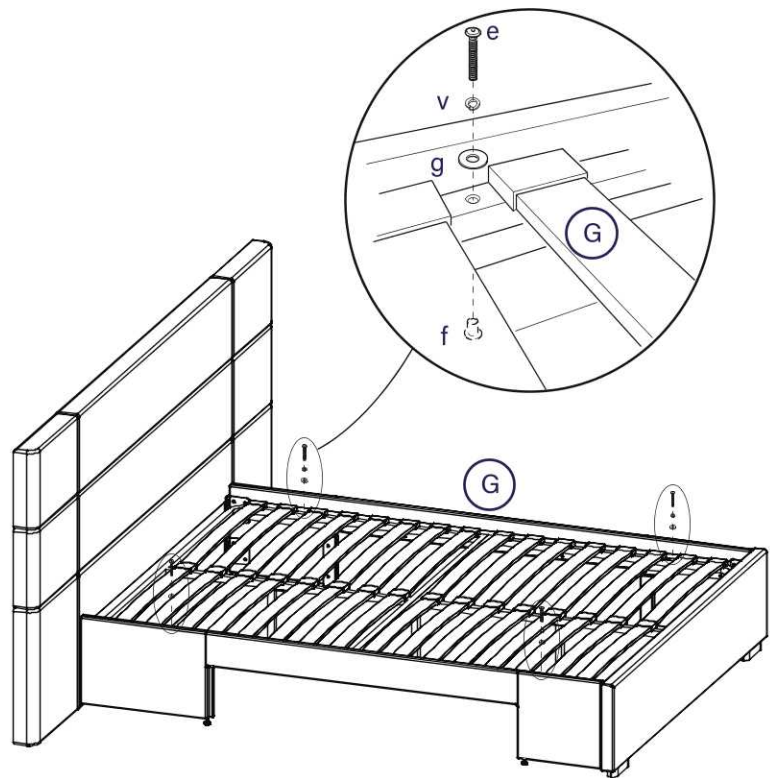




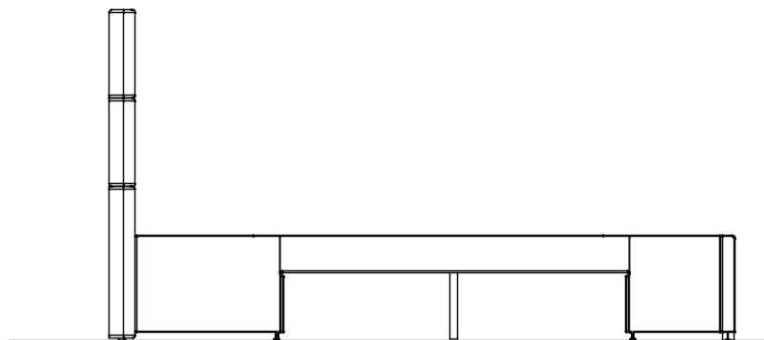
5b



**iii)** Carefully turn the slat frame over and position onto the metal slat supports on each side panel. Align the frame with the fixing holes at each end and secure using four sets of bolts (e), spring washers (v), flat washers (g) and sleeve-nuts (f). When all bolt sets are in place, tighten them using allen key (h).

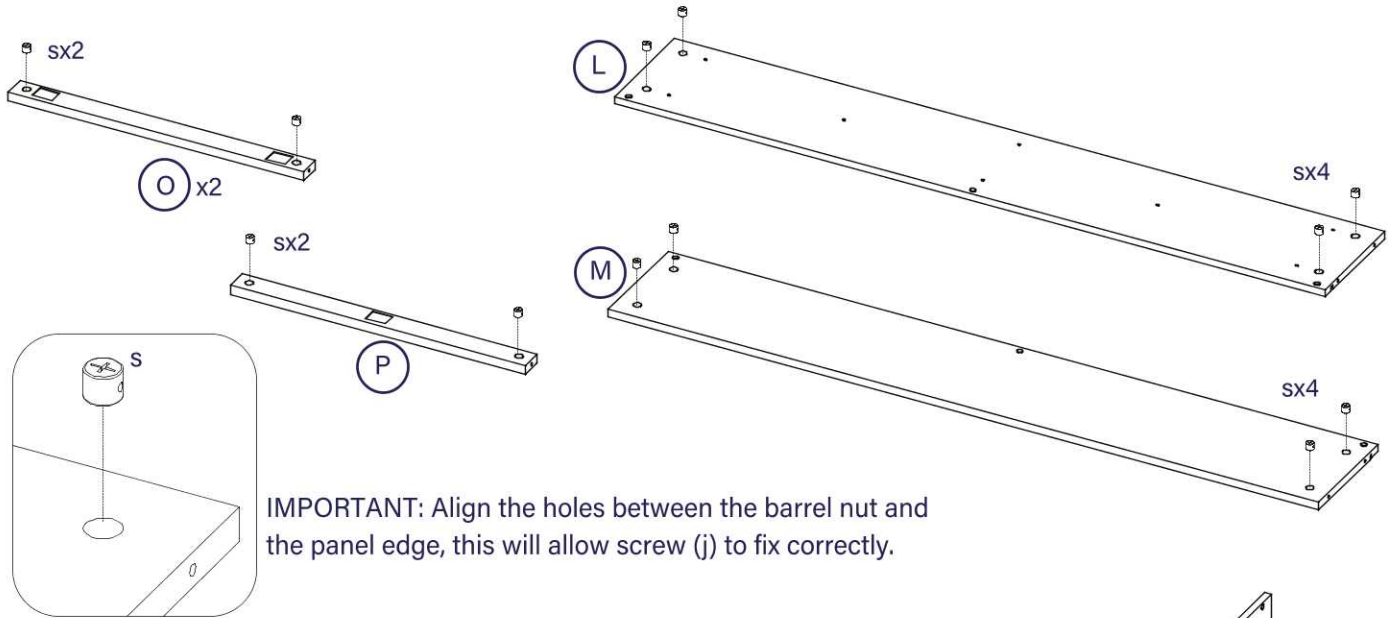


**iv)** Finally, please check carefully that all bolts are fully tightened before the bed is used.

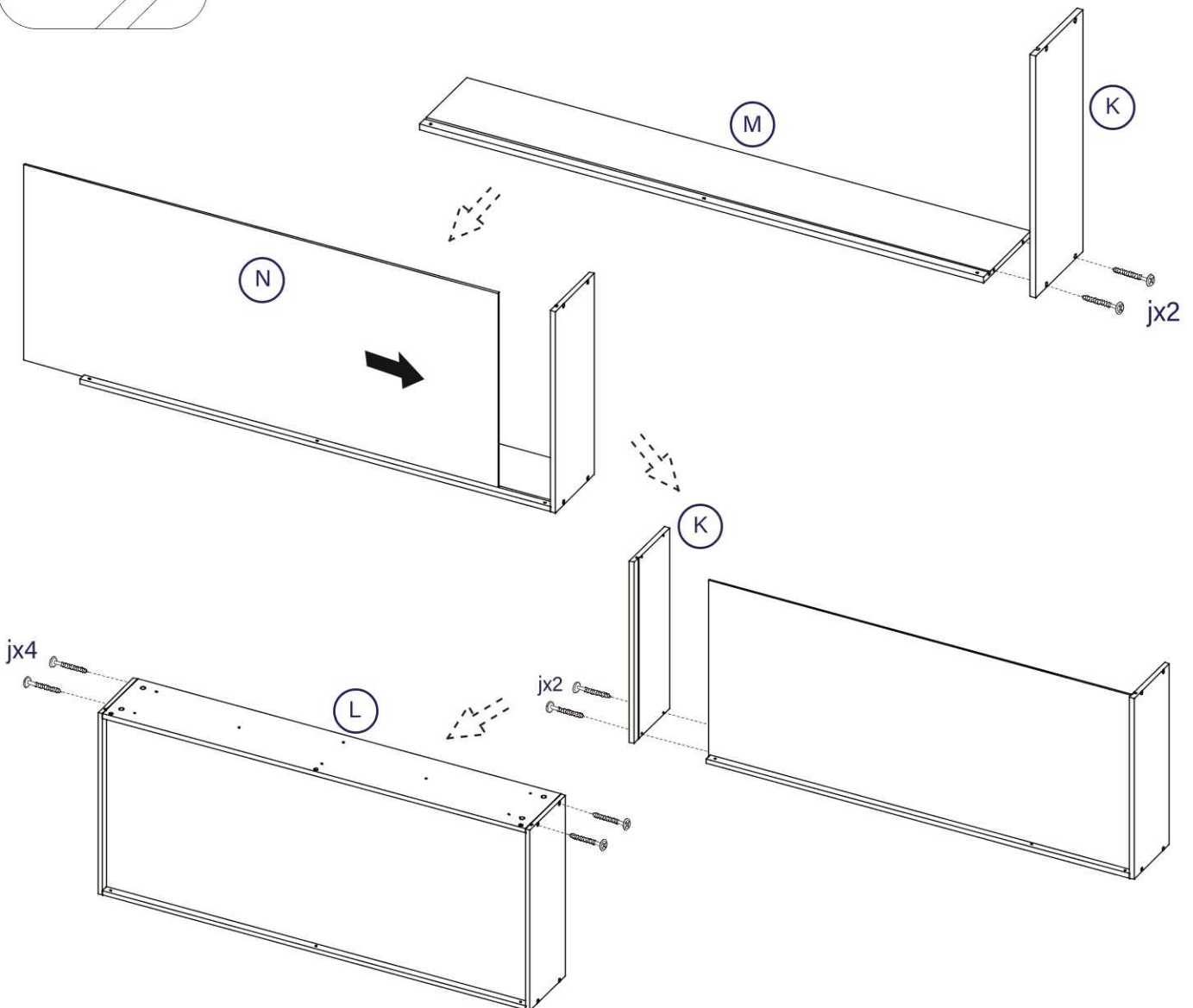


# Drawer assembly - use pack 'D'

6 x2 Drawers to assemble

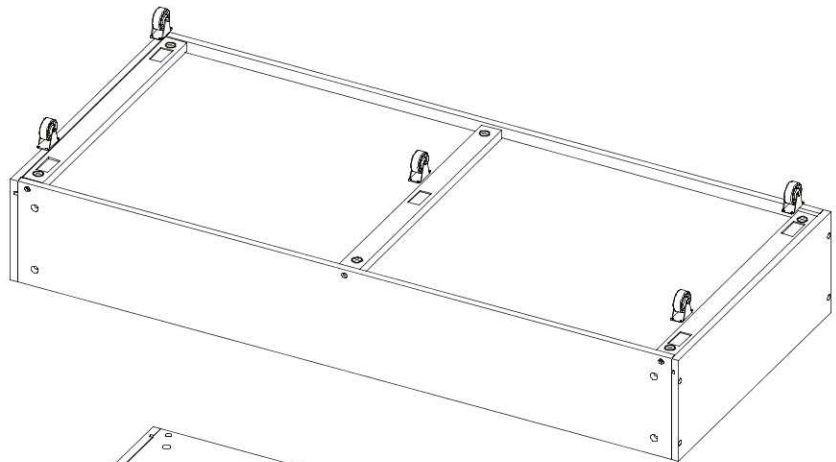
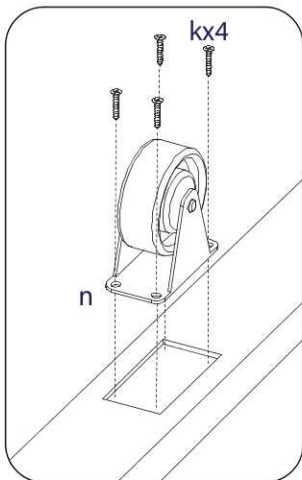
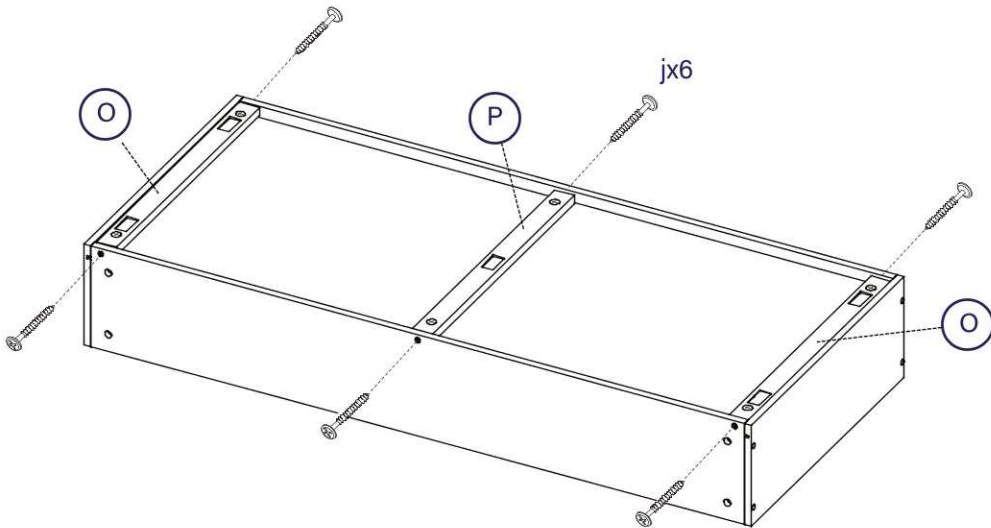
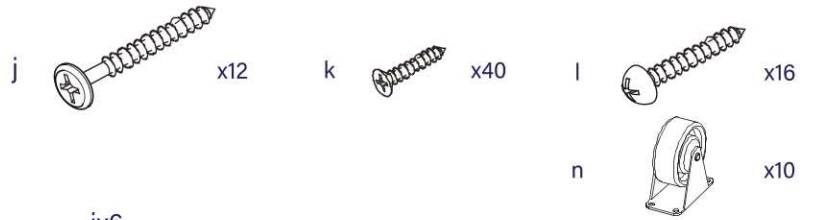


IMPORTANT: Align the holes between the barrel nut and the panel edge, this will allow screw (j) to fix correctly.

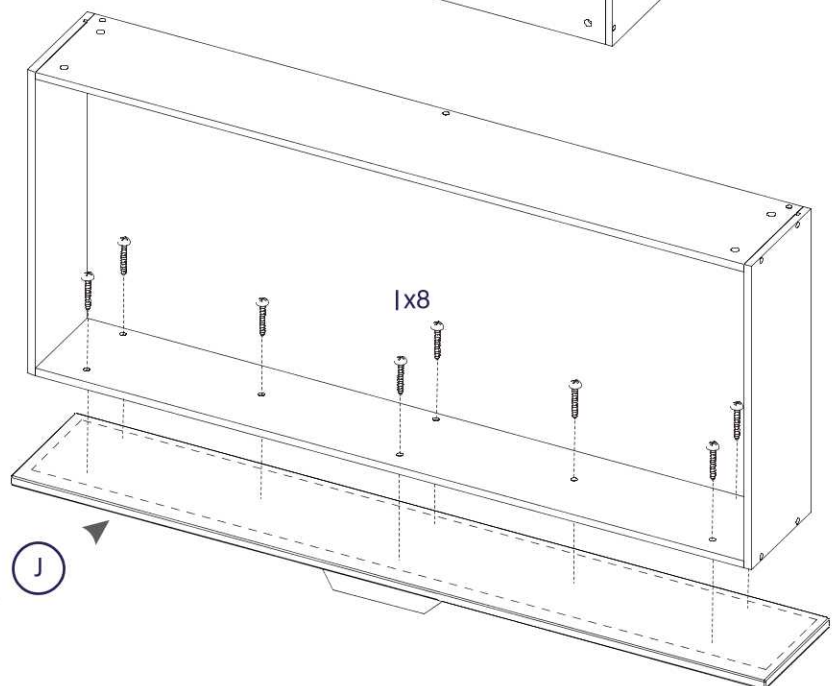


# Drawer wheel assembly - use pack 'E'

## 7 x2 Drawers to assemble



Fit the assembled drawer to rear of Drawer Face Panel (J). Carefully follow the guide lines marked on the rear of the panel.



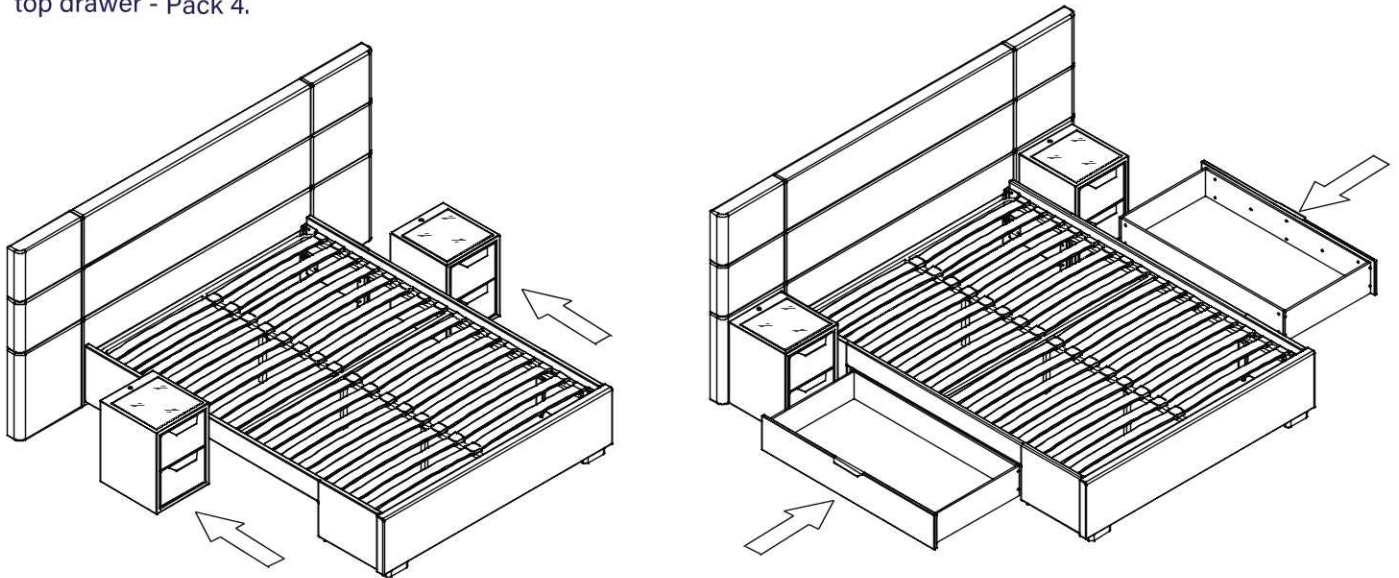


# Position the bedsides and slide in the drawers

8

i) Before placing bedsides in final positions, follow the connection guide for USB & USB power supply cable which is packed inside the top drawer - Pack 4.

ii) Slide in the drawers



## Overall Dimensions (LWH cm)

Double: 207 x 233 x 116

King: 217 x 248 x 116

## Internal Dimensions (LW cm)

Double: 193 x 138

King: 203 x 153

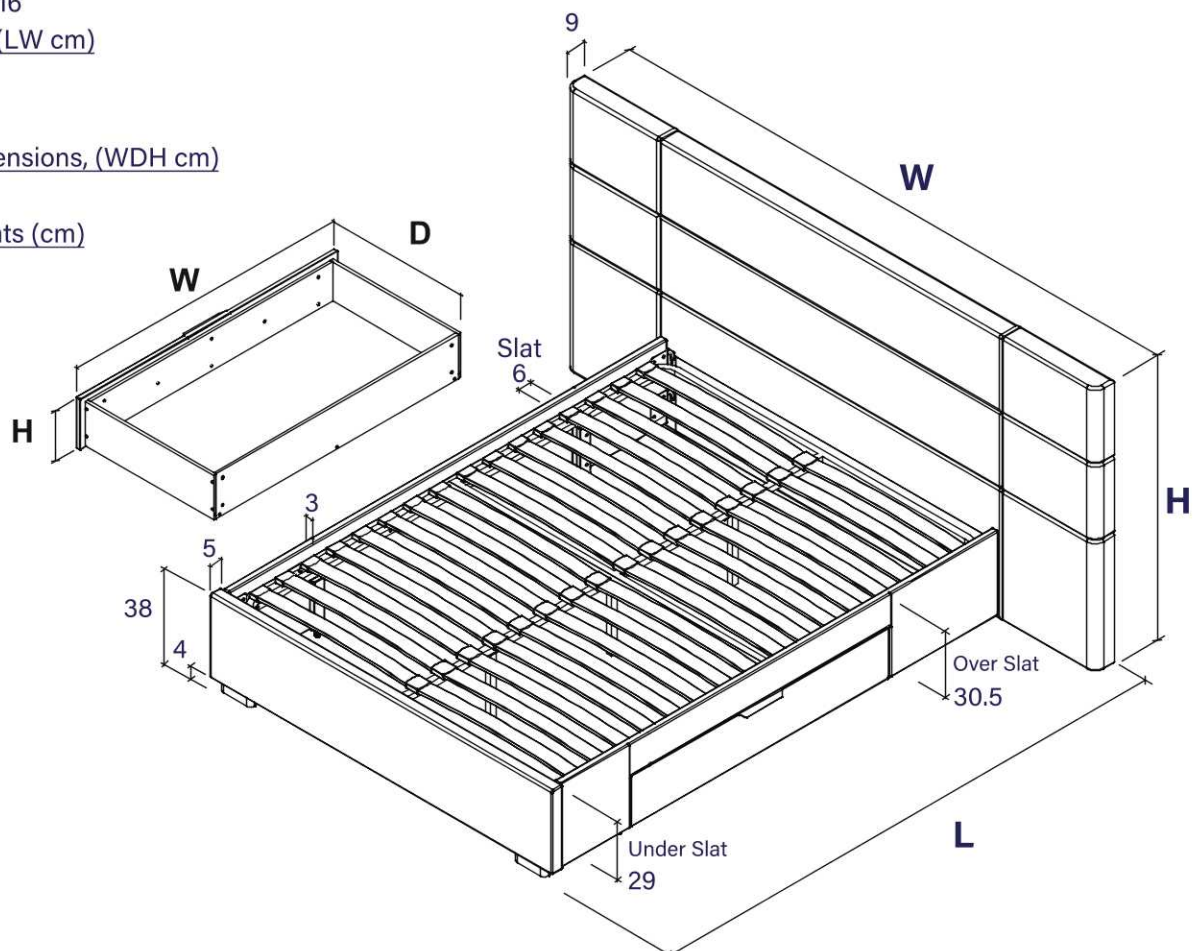
## Storage Drawer Dimensions, (WDH cm)

120.5 x 61.8 x 20.5

## Distance between slats (cm)

Double: 4.7

King: 5.2



# Care and maintenance

Here are some tips to keep your new bed in tip-top condition



## Cleaning

To clean your new bed, we'd advise using a warm damp cloth or if fabric, remove dust using a low suction vacuum cleaner - please do not use abrasive chemicals or bleach as this may damage the product.



## Checking and moving

Periodically we recommend you check that the screws or fixtures haven't become loose, over time. To move your new bed, we recommend lifting it where possible, as dragging or pushing it could cause damage to your flooring.



## Wood

Please note each of our wooden pieces are unique, meaning that markings and shade can vary slightly between beds. Over a period of time, the wood might lighten or fade slightly due to light exposure.



## Fabric

Please note depending on the lighting, positioning and surroundings of your room, the shade of the colour can sometimes appear slightly different. Over a period of time the colour might lighten or fade slightly due to light exposure.



## Metal

Metal tends to be more resilient to everyday wear and tear. We recommend to gently dust your metal furniture and keep it dry to maintain its look.

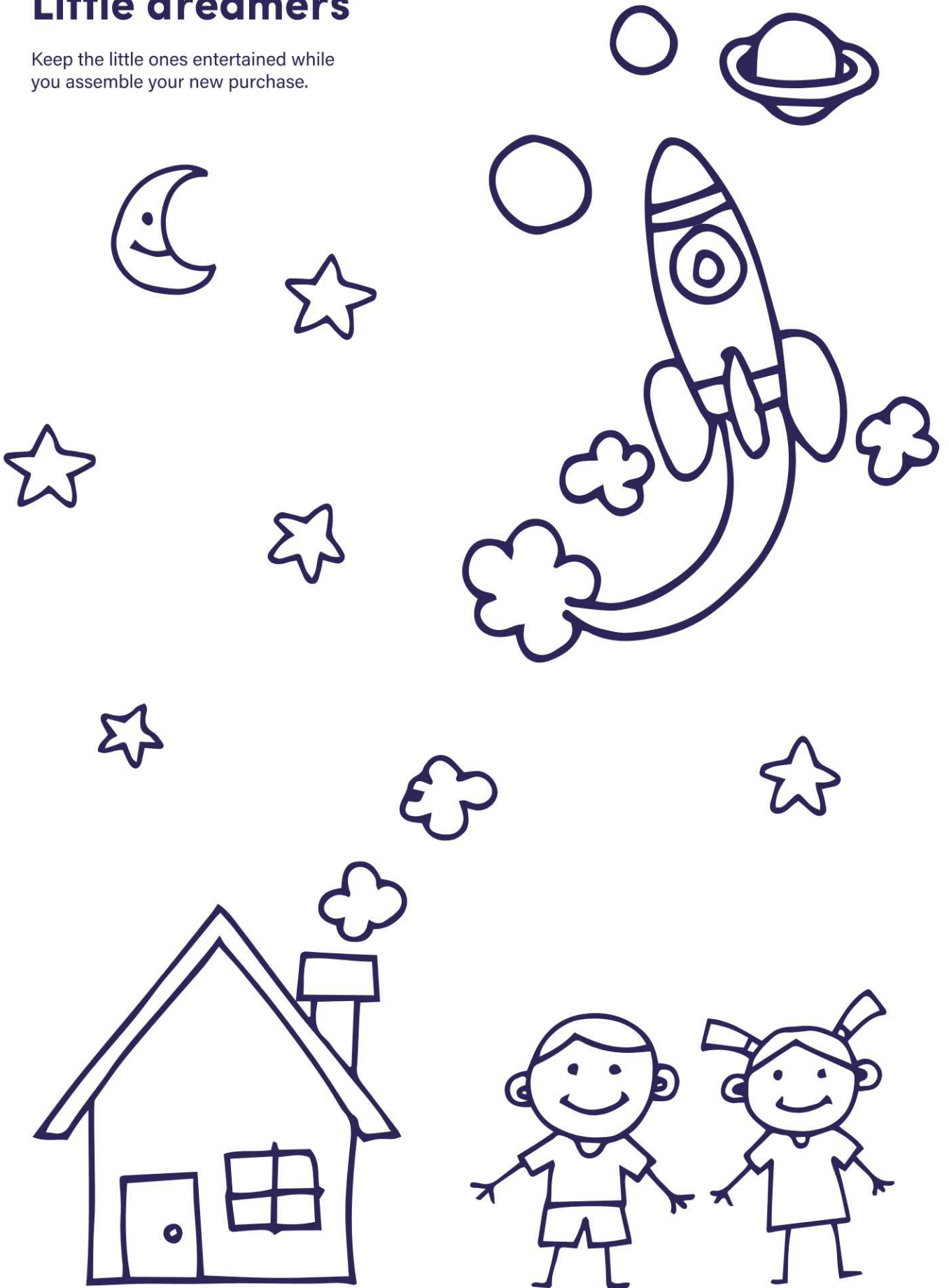
**Thank you for shopping with us - we hope you have a great night's sleep**

*Sleep well*



# Little dreamers

Keep the little ones entertained while you assemble your new purchase.





**Dreams**

A pink wavy underline is positioned directly beneath the word "Dreams".