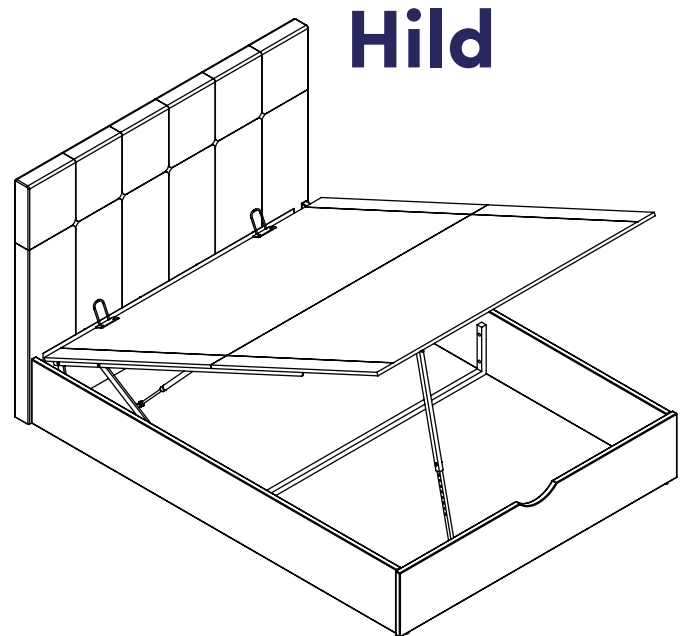
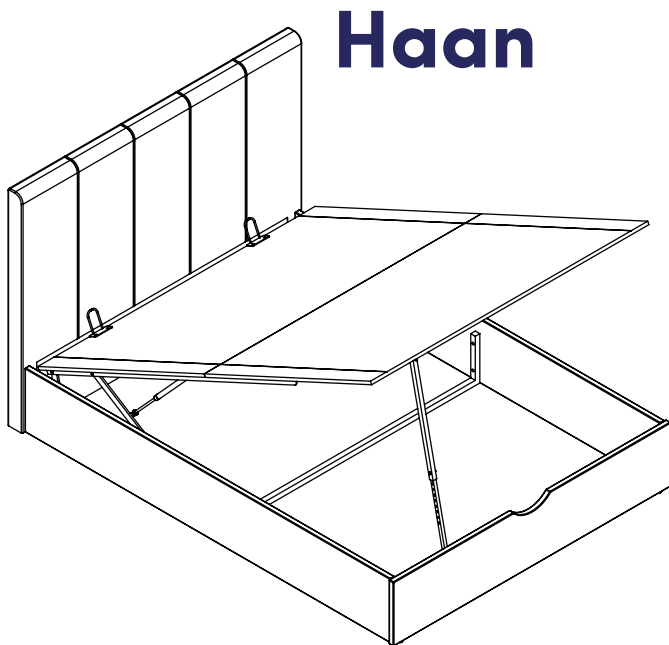


# Haan & Hild Storage Bed with O.S.B.

## Small Double, Double & King Size



## IMPORTANT OTTOMAN SAFETY WARNINGS

- **IMPORTANT - READ CAREFULLY - RETAIN FOR FUTURE REFERENCE**
- **You must ensure that the mattress is on the bed frame before operating the lift mechanism - Failure to do so could result in injury.**
- **Keep hands clear of the mechanism when opening or closing the ottoman.**
- **Beware of entrapment - Never reach in through the mechanism to access the storage area.**
- **Always ensure that the ottoman is FULLY opened before accessing the storage area.**
- **Do not exceed the maximum weight as specified in the table below:**

Bed	Bed Size	Min Weight (kg)	Max Weight (kg)
Haan or Hild	Small Double	10	35
	Double	10	40
	King	15	45



1.5 hour approx  
assembly time



Two person  
assembly

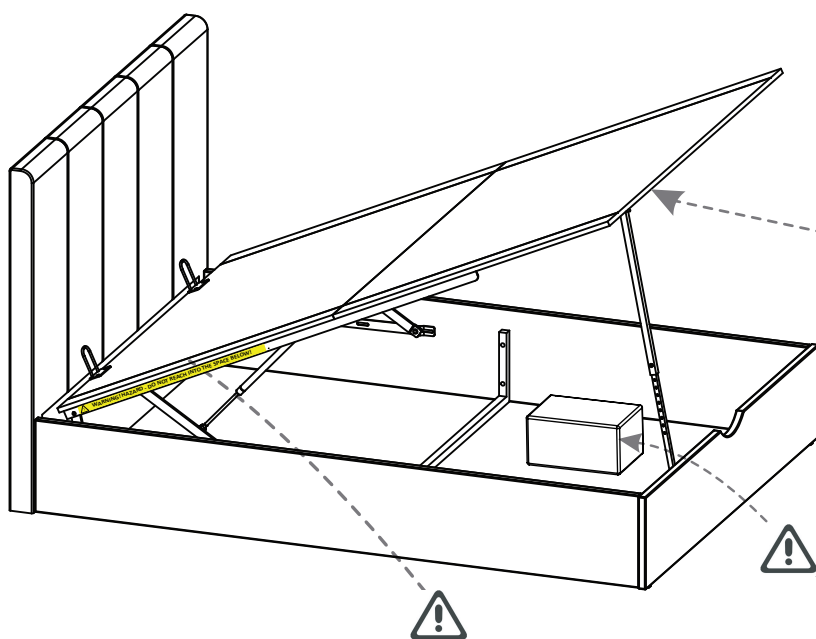
# Dreams

MK1 230327

# IMPORTANT OTTOMAN SAFETY WARNINGS Cont.



- Use caution when operating, always use the handle when lifting.
- Note: This bed uses a pressurised mechanism.
- To be operated by adults only.
- Please ensure that children and pets are kept away from the bed when operating the lift mechanism.
- Keep children and pets away from the storage area.
- Do not overload the internal storage base.
- Do not stand inside the internal storage area of the bed.
- Before removing the mattress secure the frame to ensure it does not open unexpectedly.
- Do not attempt to lie on the mattress when the ottoman is in the raised position.
- When lifting the ottoman, remove all bedding except the fitted sheet.



**⚠ WARNING**  
TO AVOID ACCIDENTS  
To access the storage area, the ottoman frame  
MUST BE FULLY OPENED and then  
FULLY CLOSED afterwards.

**CAUTION**  
To be operated by ADULTS ONLY.  
Keep children and pets away from the storage area.  
Avoid trapping your fingers by using the handle  
to lift & lower the base.  
Only lift when the mattress is in place.  
Ensure the ottoman support bar is secure when the  
base is open.  
Regularly air internal storage area and contents.

Note: Be very careful what you store under the bed - the top of an item, like a suitcase or a box, must not touch the underside of the mattress base or it may get damaged. Maximum item height is 295mm.

**⚠ WARNING! HAZARD - DO NOT REACH INTO THE SPACE BELOW!**

# Ottoman Beds - Important Safety Features

Our aim is always to give you the best experience and to ensure every effort has been made to guarantee your comfort and safety. Please take time to look at these instructions as they will help remind you how to operate your ottoman bed safely.

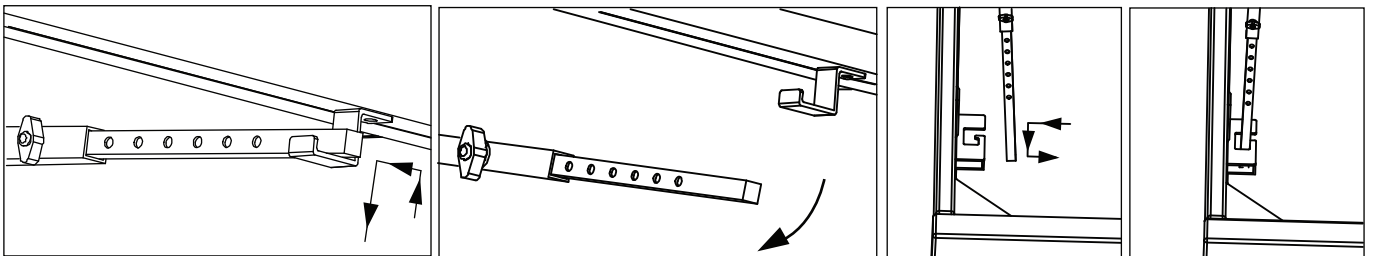
**Here's a few things you need to remember;**

- ✓ **Pistons are already assembled in their correct orientation - this improves piston performance and durability.**
- ✓ **"Break in " the piston seals on first use by raising & lowering the platform at least five times.**
- ✓ **Recommended mattress weights - do not exceed the maximum relevant weight specified on the Assembly Instruction.**
- ✓ **Ottoman support bar - always engage the support bar when accessing the ottoman storage area.**

Read all the instructions before using your Ottoman bed-frame and save the instruction booklet for future reference.

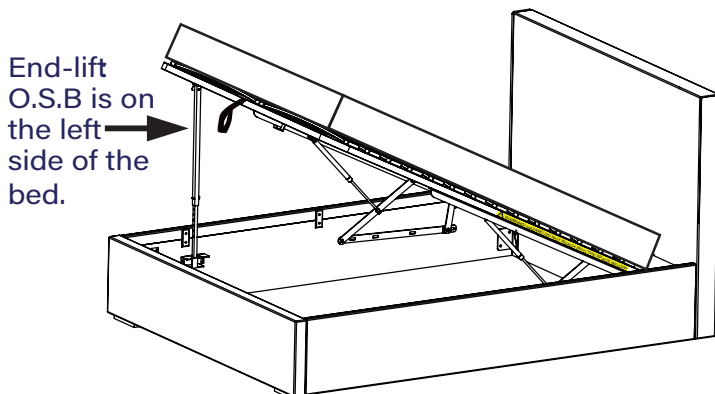
## Ottoman Support Bar (O.S.B.)

**For optimal safety during operation, always ensure the O.S.B. is engaged when accessing the ottoman storage area.**

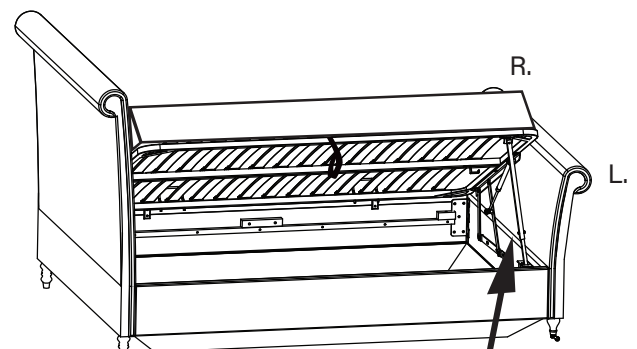


1. Always raise the ottoman slat-frame to its highest position before using the storage area.  
Locate the end of the O.S.B and insert into the fixed retaining bracket on the bed frame.
2. When you are ready to lower the ottoman platform, return the O.S.B to its original parking position.
3. Always ensure that the O.S.B is in position when the ottoman is open, this prevents injury, or damage to the product.

## Location of the O.S.B



End-lift O.S.B is on the left side of the bed.



Side-lift O.S.B is on either the left side or right side of the Footend.

## WARNING! Risk of Entrapment

- The pistons on the ottoman bed frame can support a maximum load (evenly spread) as indicated in the Minimum and Maximum load table, on the first page of this Assembly Instruction.
- Overloading the sleeping platform may contribute to damage to the product resulting in potential serious injury.
- Do not sit on the mattress whilst the platform is in motion or is in the raised position.
- Users should only get in and out of bed when platform is in the flat (horizontal) position.

# Thank you

Hello, thanks for choosing to purchase your bed from Dreams - you're now on your way to your best ever night's sleep. Before you begin building your bed, please take a moment to read through the instructions and make sure that you've got all the relevant parts listed on the following pages.



## Assembly tips

Before you begin, it's best to identify all parts and fittings to build your bed. We advise laying these out on the floor to check you have everything, and familiarising yourself before building.



## Top tip

We recommend that you build your new bed in the room you'd like it to be located - this will help prevent any risk of damage to your newly built bed whilst moving it.



## Safety and care

It's really important to ensure children and animals are kept away from the assembly area, as there are small components used in this bed which could present a choking hazard. All plastic and wrapping materials should also be kept away from children and animals to prevent any risk of suffocation. To keep your little ones busy, there is a colouring page inside the back cover.



## Help and support

At Dreams, it's our mission to give the whole nation a great night's sleep - this means that the quality of our products is of utmost importance to us. If there are any issues with your product or any missing parts, please contact our Help Centre on 0800 652 6750, where a member of our team will be happy to help. (For customers based in Northern Ireland, please call 028 9050 8300)



## Recycling

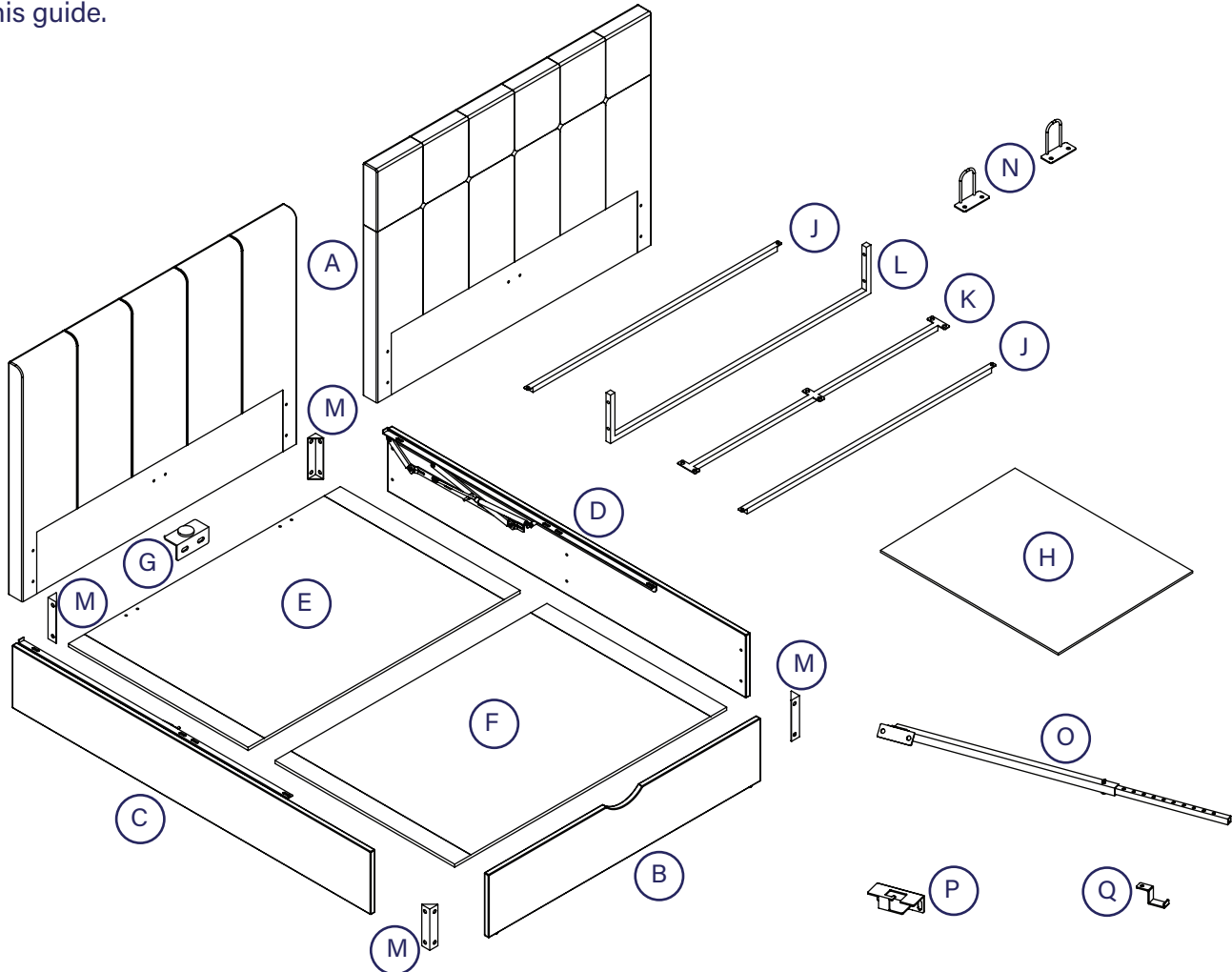
Please ensure that packaging is disposed of in a safe and environmentally friendly way, and recycle where possible. Our assembly instructions are printed on recycled paper. Please keep your assembly instructions safe to refer back to in the future.

# Parts

## Important information

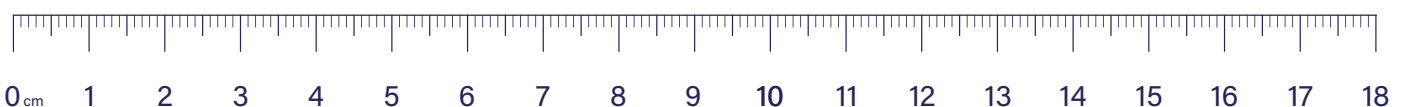
The bed you have purchased comes with an Ottoman lift up base, please follow the instructions in the current order.

To prevent accidents carefully read the ottoman safety warnings for this bed, on pages 1 & 2 of this guide.



## Parts list

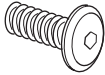



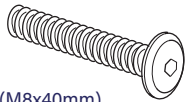
Code	Description	Qty	Box	Code	Description	Qty	Box
A.	Headboard (Haan or Hild)	1	1	J.	Support rail for Mattress Base Boards - End	2	1
B.	Footboard	1	2	K.	Support rail for Mattress Base Boards - Centre	1	1
C.	Side rail - Left	1	2	L.	'U' Shape Side Rail Cross Bar	1	1
D.	Side rail - Right	1	2	M.	Angled Corner Brackets	4	1
E.	Mattress Base Board - Headend	1	1	N.	Mattress Stopper	2	1
F.	Mattress Base Board - Footend	1	1		Ottoman support bar PACK (O.S.B.)		
G.	Support Bracket	1	1	O.	Ottoman support bar	1	2
H.	Fabric Base Cover	1	1	P.	Fixed retaining bracket - footboard	1	2
				Q.	Parking bracket - mattress base board	1	2



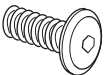


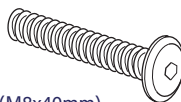
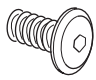
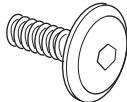


# Fittings

Please check you have all the fittings listed below with your product:



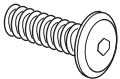
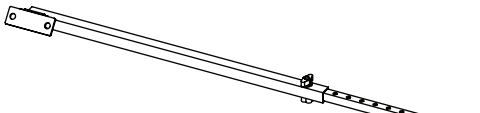
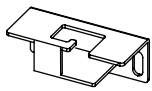
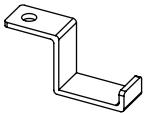
## Hardware needed for fixing side rails to headboard & footboard Packed in the side rail carton, inside Pack 2 - hardware pack (A)

<p>a x18</p>  <p>Bolts (M8x25mm) Fitting corner bracket (M) to side rails (C&amp;D) and footboard (B)</p>	<p>b x16</p>  <p>Spring Washer for M8 bolt</p>	<p>c x22</p>  <p>Flat Washer for M8 bolt</p>	<p>d x1</p>  <p>Allen Key for M8 bolt</p>	<p>e x4</p>  <p>Bolts (M8x40mm) fitting 'U' Shape Cross Bar (L) to side rails (C&amp;D)</p>
--	---	---	--	--

## Hardware needed for fixing mattress base board Packed in ottoman carton, inside Pack 3A - hardware pack (B)

<p>a x8</p>  <p>Bolts (M8x25mm) Fitting mattress base boards (E &amp; F) to gas-lift support bar</p>	<p>b x10</p>  <p>Spring Washer for M8 bolt</p>	<p>c x12</p>  <p>Flat Washer for M8 bolt</p>	<p>e x2</p>  <p>Bolts (M8x40mm) fitting end support bars (J) to mattress base board (E&amp;F)</p>	<p>f x2</p>  <p>Bolts (M8x15mm) for fitting centre support bar (K) to mattress base boards (E&amp;F)</p>
<p>g x4</p>  <p>Big Head Bolts (M8x20mm) for fitting mattress stopper (N) to mattress base boards (E)</p>	<p>h x2</p>  <p>Flanged lock-nuts M8 for gas-lift pistons</p>	<p>j x1</p>  <p>Spanner for M8 nut</p>		

## Hardware needed for fixing ottoman support bar (O.S.B) to the slat frame packed in the side rail carton, inside Pack 2 - hardware pack (C)

<p>b x5</p>  <p>Spring washer for M8 bolts</p>	<p>c x5</p>  <p>Flat washer for M8 bolts</p>	<p>m x5</p>  <p>Bolts (M8x25mm) for fitting ottoman support bar</p>	<p>O x1</p>  <p>Ottoman Support Bar</p>
<p>P x1</p>  <p>Fixed retaining bracket - side rail</p>	<p>Q x1</p>  <p>Parking bracket - slat frame</p>		

# Tools required



Tape measure

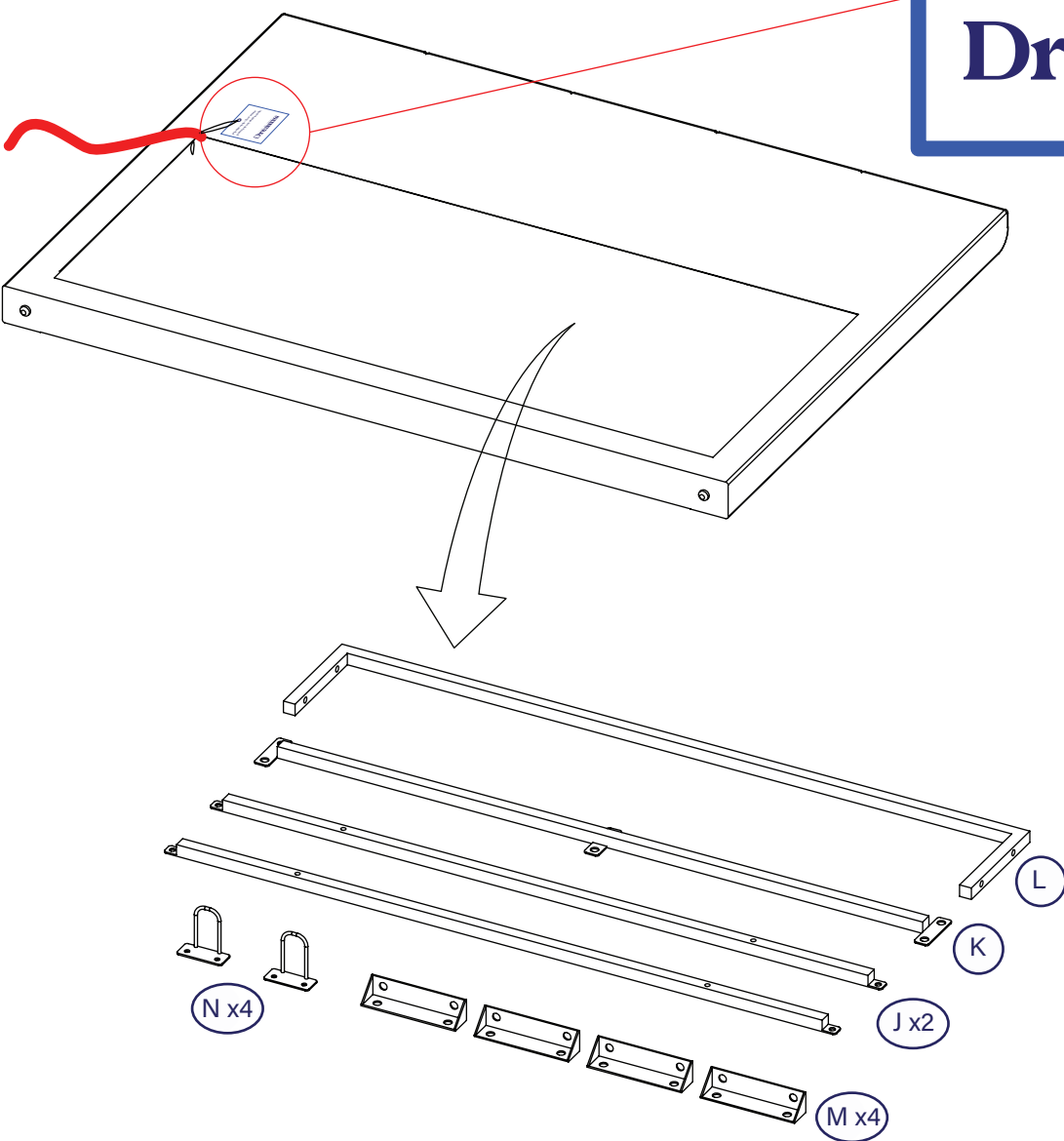


Cross head screwdriver

- 1** Before assembly the bed, please open the compartment at the back of the headboard and locate the following parts:  
Support rails for the mattress base boards (J x2) & (K x1)  
'U' shaped side rail cross bar (L x1)  
Angled corner brackets (M x4)  
Mattress stoppers (N x2).

○  
Please note: The parts  
(J, K, L, M & N) are  
located inside.

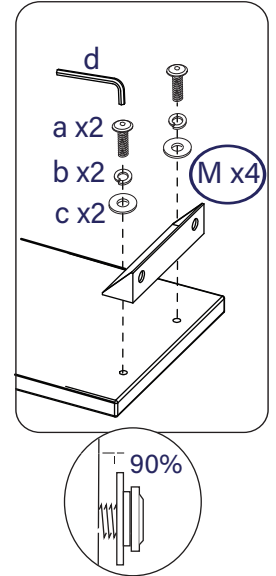
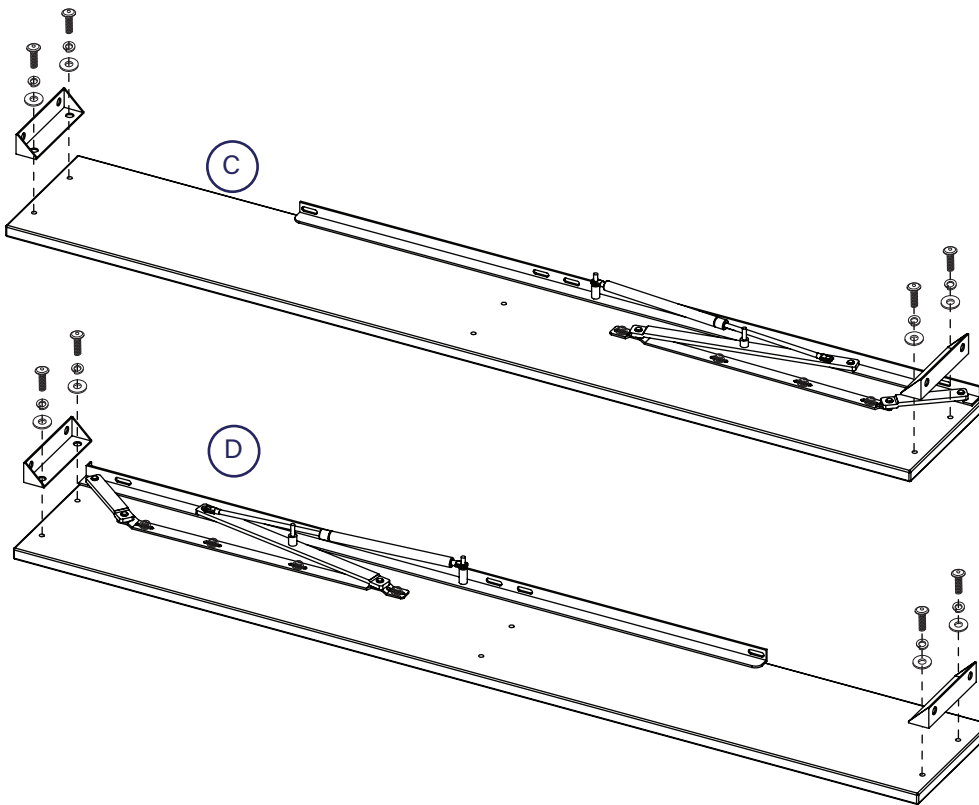
**Dreams**



## 2 Prepare side rails for assembly.

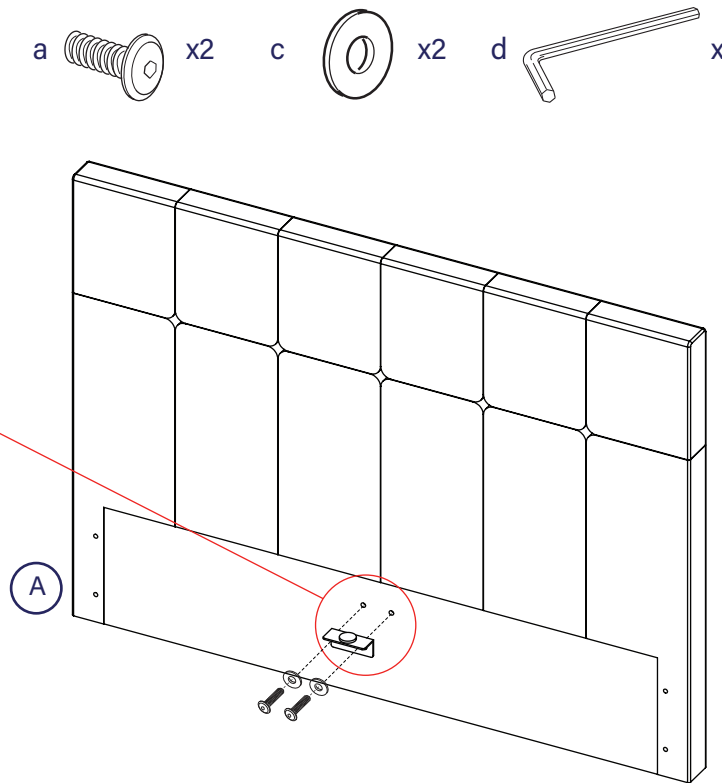
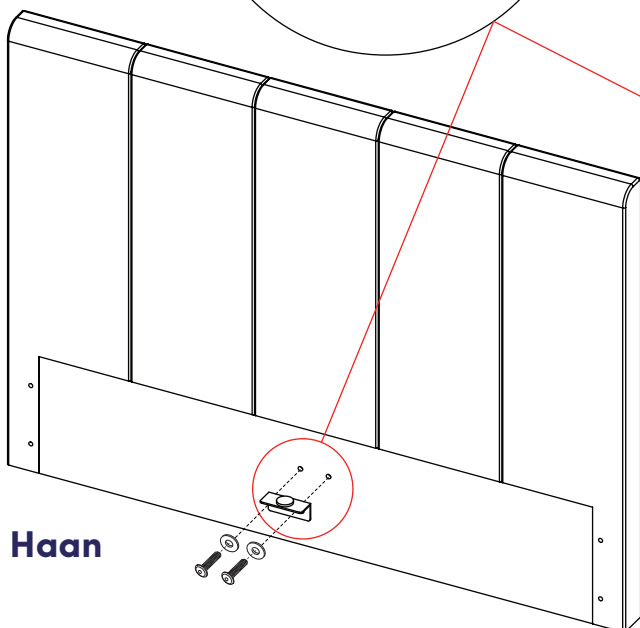
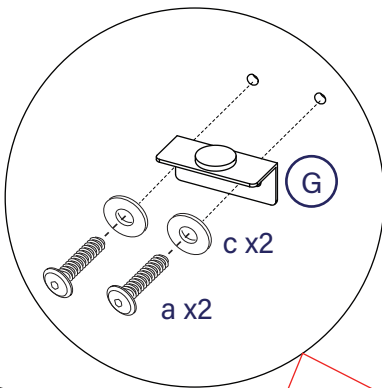
a  x8    b  x8    c  x8

d  x1



## 3 Prepare headboard & footboard for assembly - fit support brackets (G).

a  x2    c  x2    d  x1

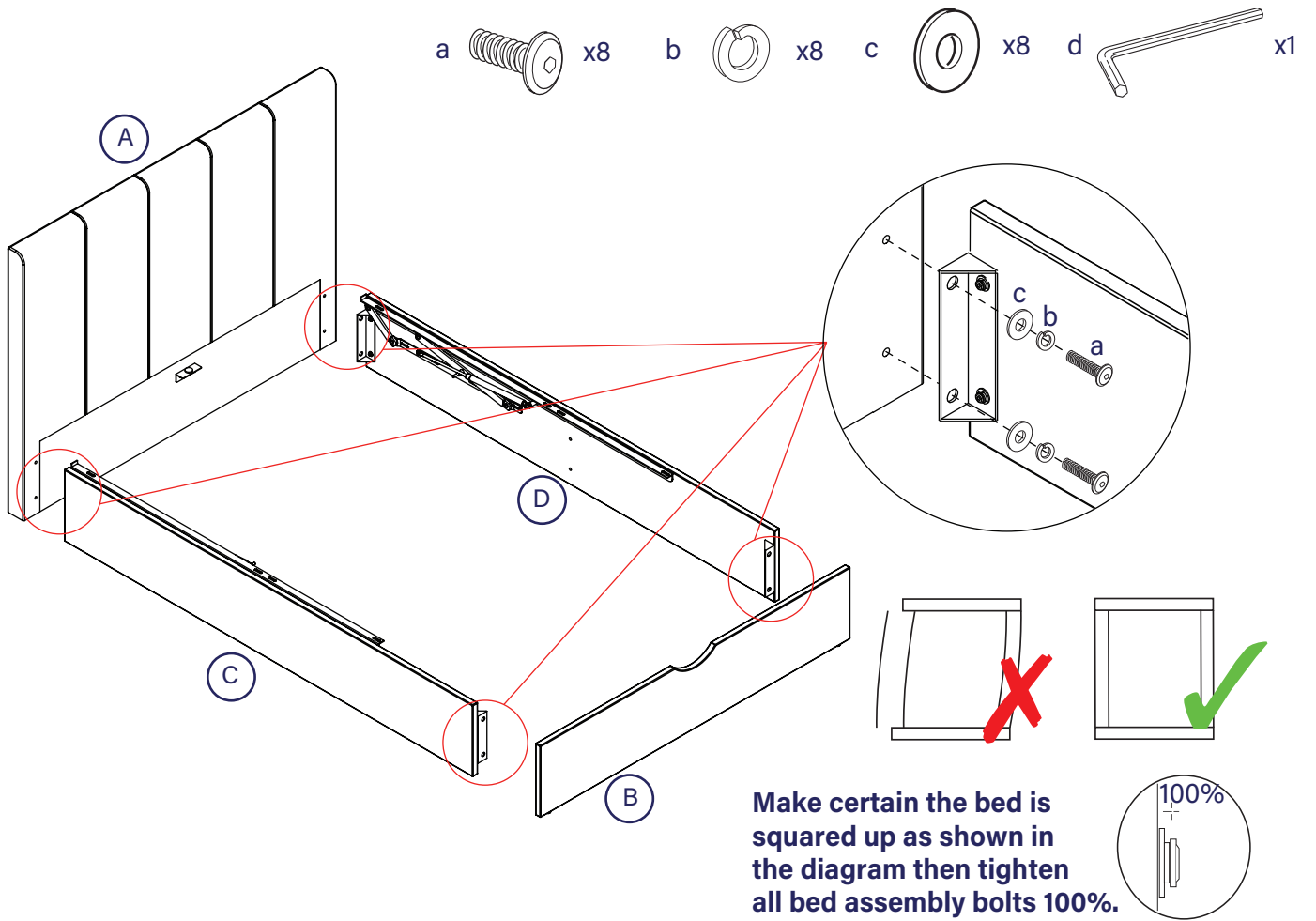


**Hild**

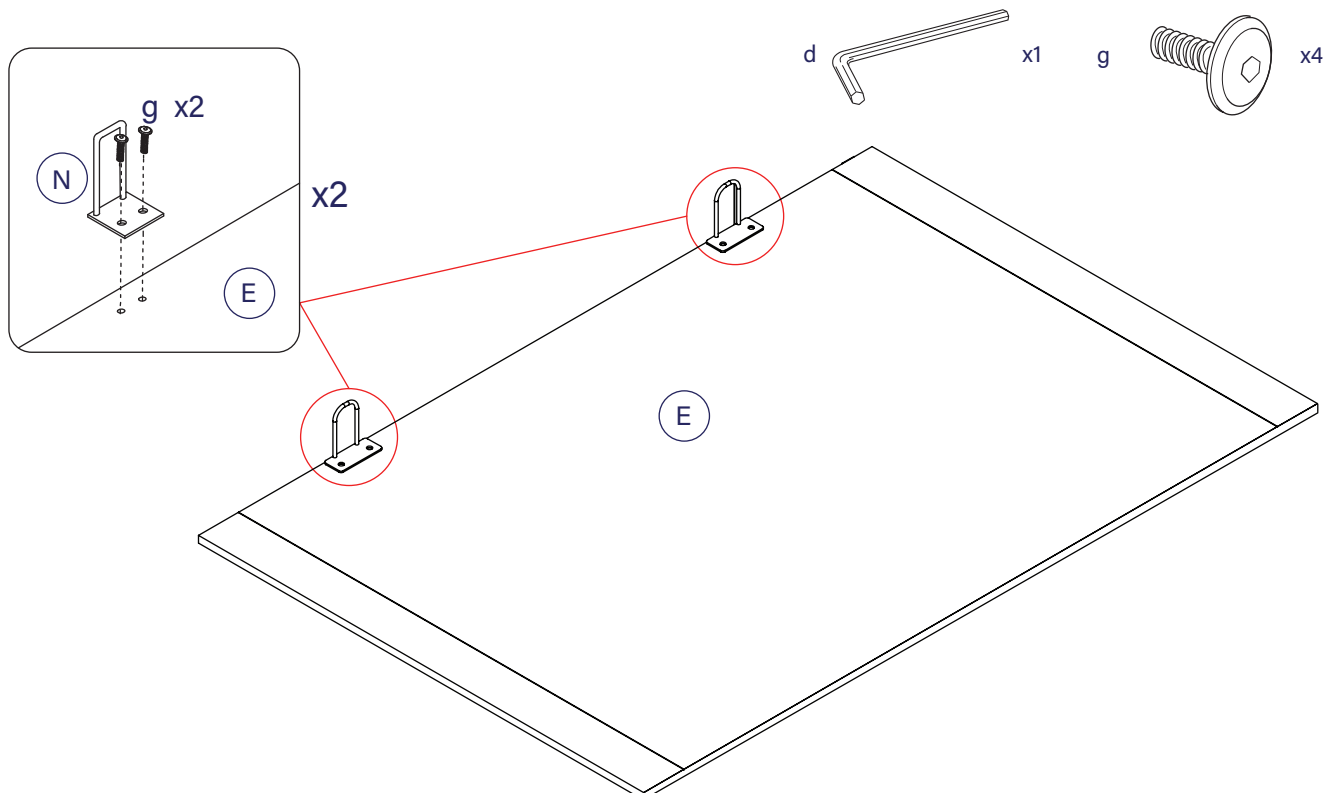
**Haan**



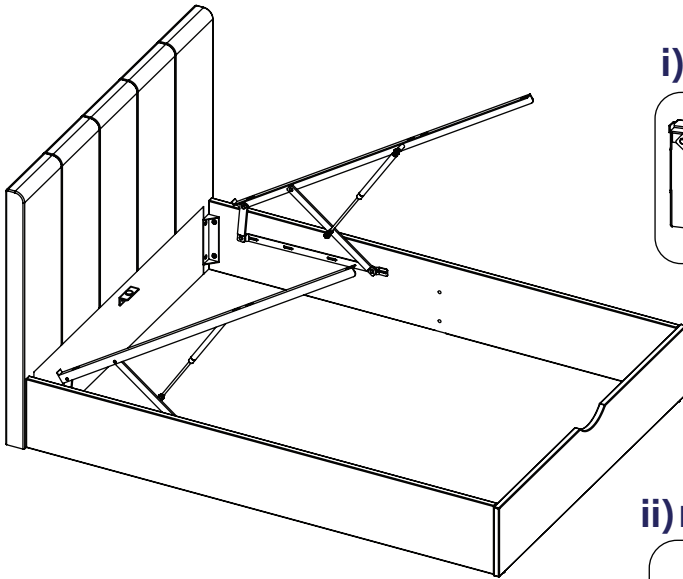
**4 Fit both side rails to headboard & footboard, tighten all bolts 90%.**



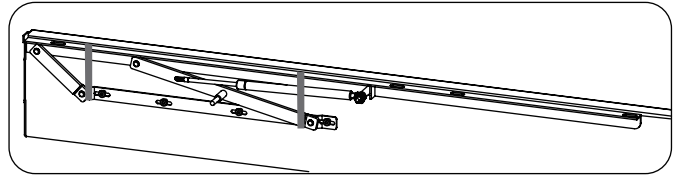
**5 Mattress Base Board Assembly - Use hardware pack 'B'**



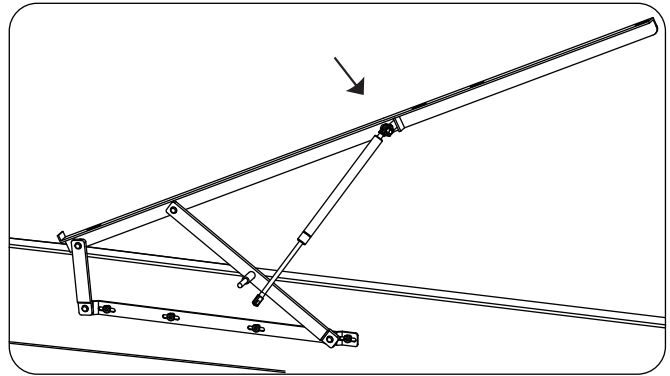
**6** Fit the piston stems to the lower axles.



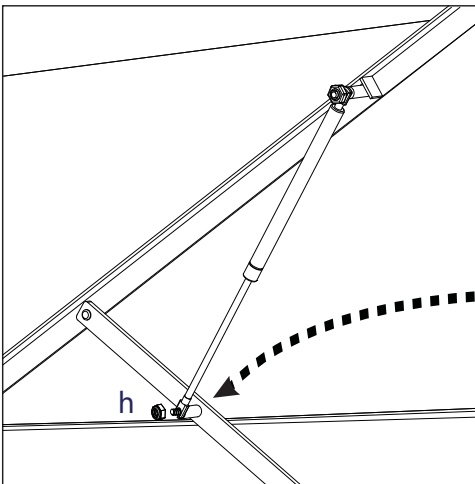
**i)** Untie the two mechanisms.



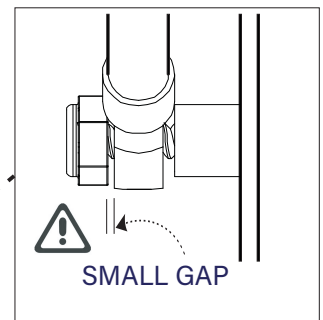
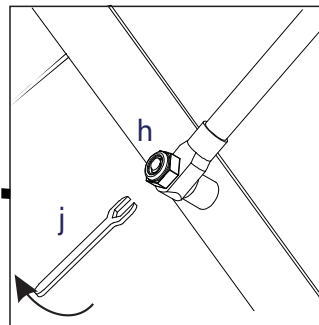
**ii)** Lift up mattress base board support bars.



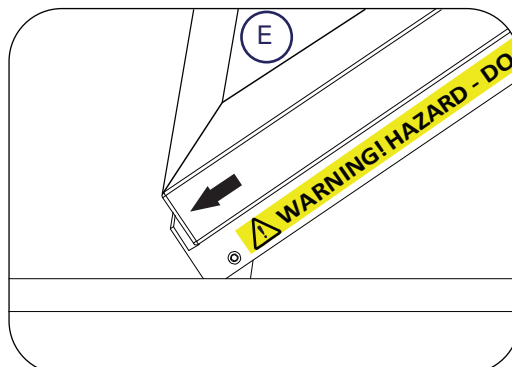
**iii)** Hold up each support bar.



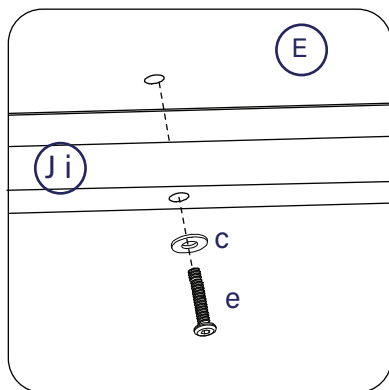
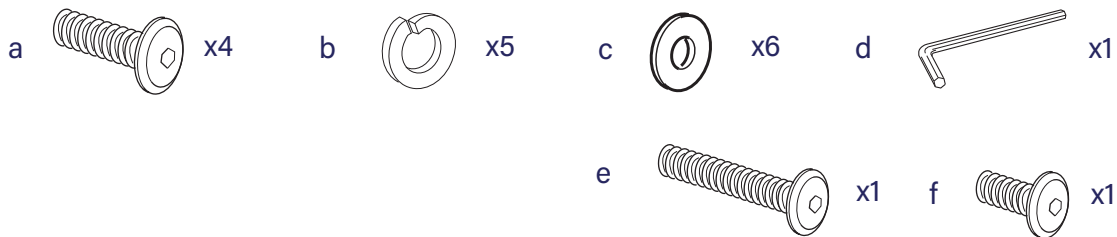
**iv)** Slide the piston stems onto the lower threaded axles and fit the lock-nuts (h) using spanner (j).  
**Please Note;**  
**Do not over-tighten - a small gap needs to be left see sketch below.**



**v)** Slide the headend mattress base board (E) into position up against the support bar stops.

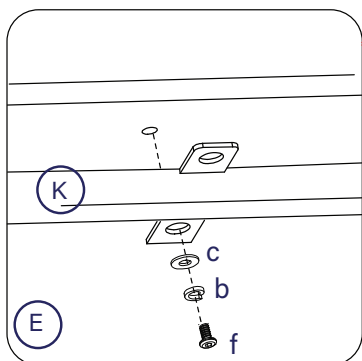
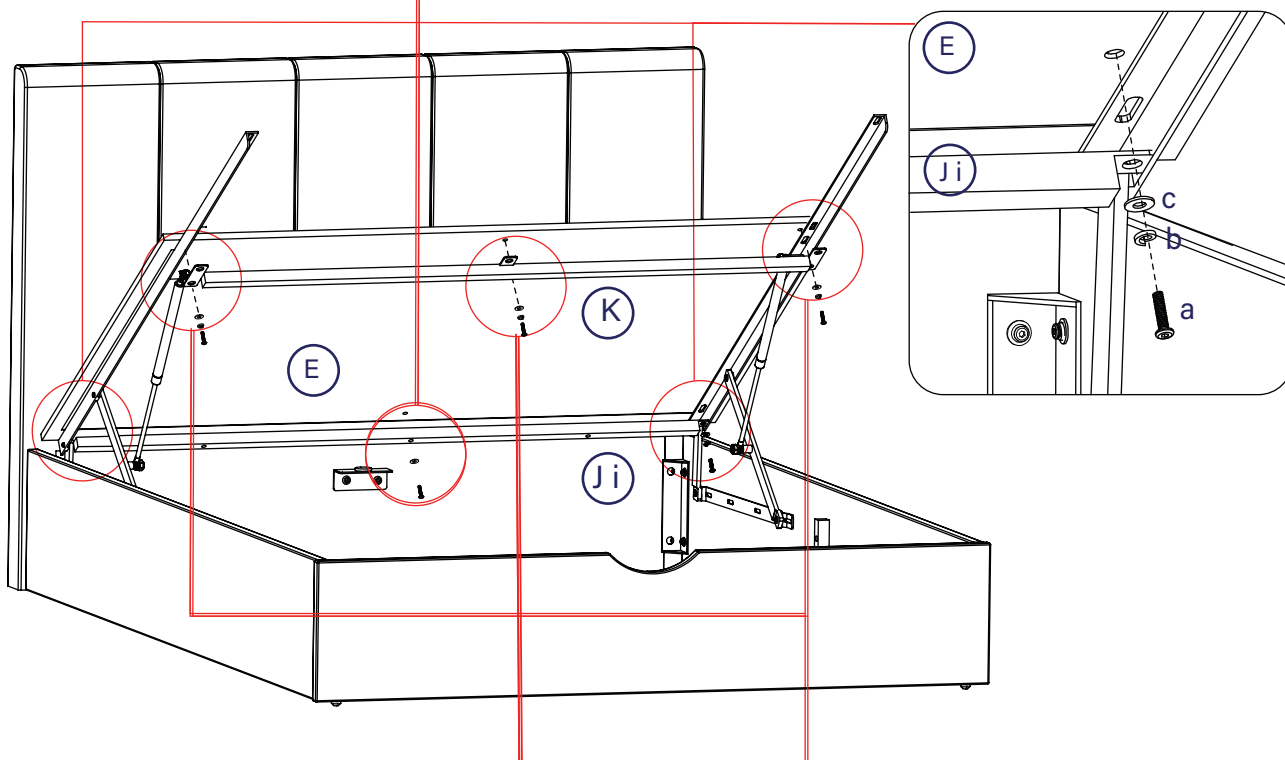


**7 Fit the lower support rail (J i) and the central support rail (K) as shown.**

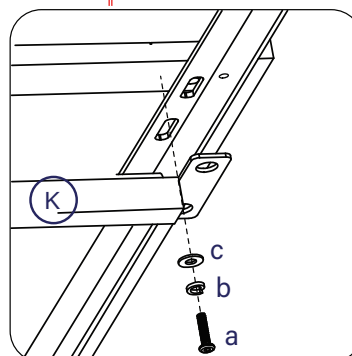


**i)** Through the central hole in the lower support rail (J i), carefully screw a bolt set (e & c) into the base board (E) as shown. **Do not tighten 100% yet.**

**ii)** Through the end brackets in the lower support rail (J i), carefully screw two bolt sets (a, b & c) into the base board (E) through the gas lift support arms as shown. **Do not tighten 100% yet.**

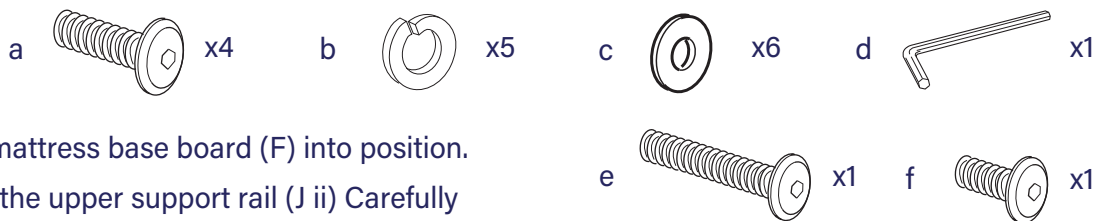


**iii)** Through the bracket holes in the central support rail (K), carefully screw a bolt set (f, b & c) into the base board (E) as shown. **Do not tighten 100% yet.**



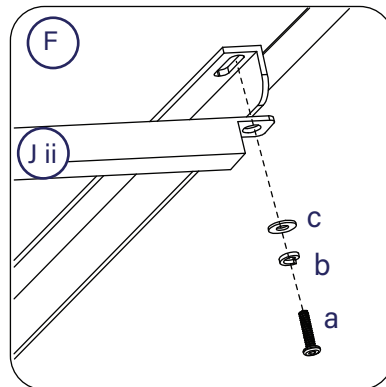
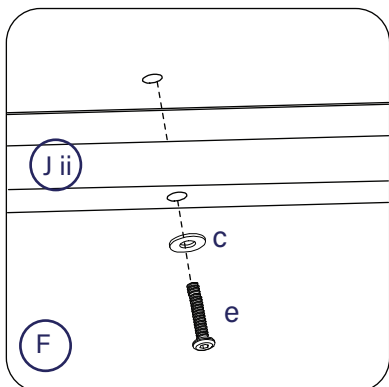
**iv)** Through the end bracket hole in the central rail (K), carefully screw a bolt set (a, b & c) into the base board (E) through the gas-lift support arms as shown. **Do not tighten 100% yet.**

## 8 Fit the second upper support rail (J ii) as shown.

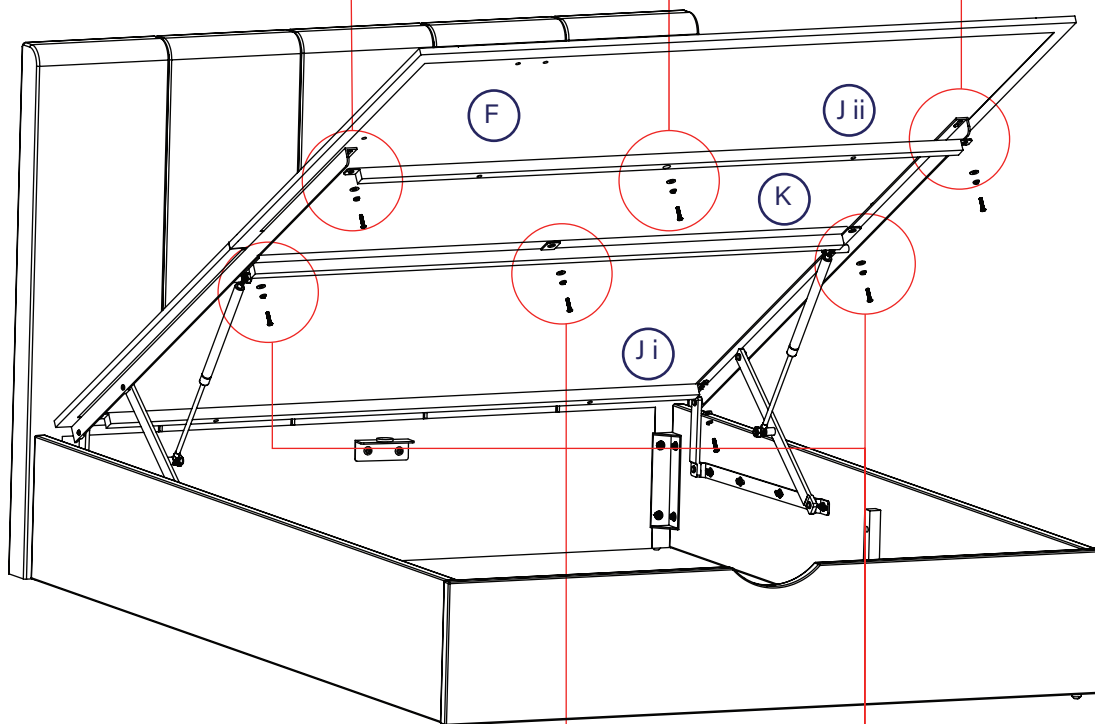


Slide the footend mattress base board (F) into position.

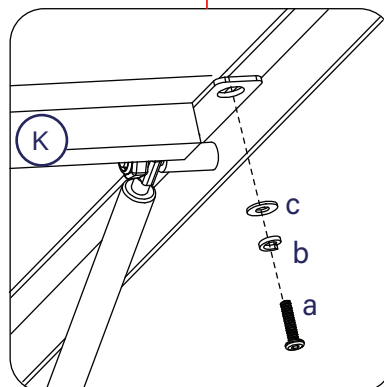
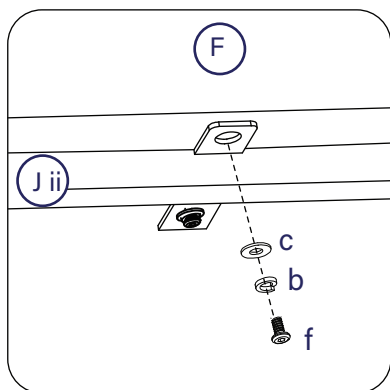
- i) Through centre of the upper support rail (J ii) Carefully screw a bolt set (e & c) into the base board as shown.  
**Do not tighten 100% yet.**



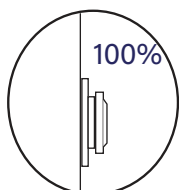
- ii) Through the end brackets in the upper support rail (J ii), carefully screw two bolt sets (a, b & c) into the base board (F) through the gas-lift support arms as shown.  
**Do not tighten 100% yet.**



iv)

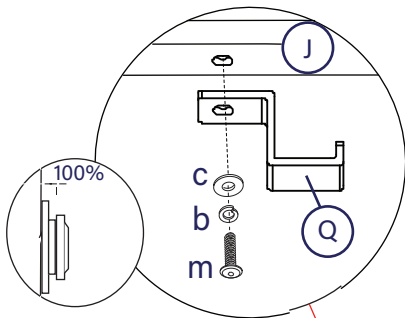


- iii) Through the remaining holes in the support rails (J ii & K), carefully screw the other bolts sets as shown.  
**Do not tighten 100% yet.**

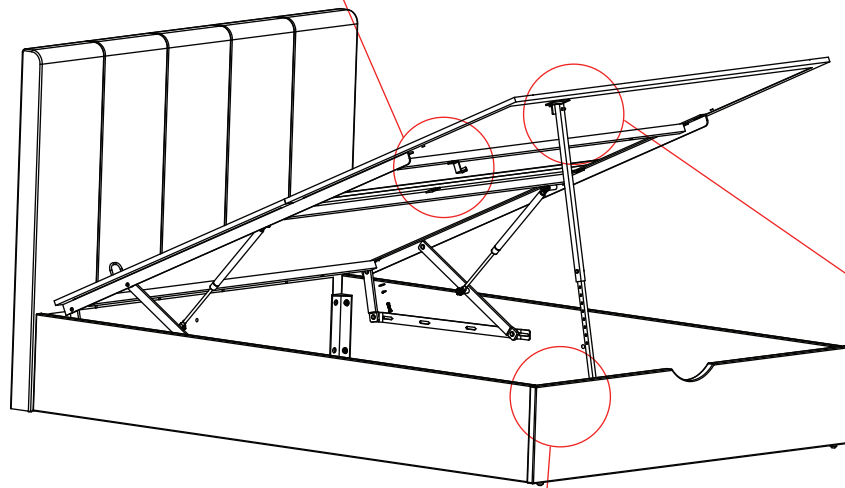


**When all x12 bolt sets are in place, tighten all 100%.**

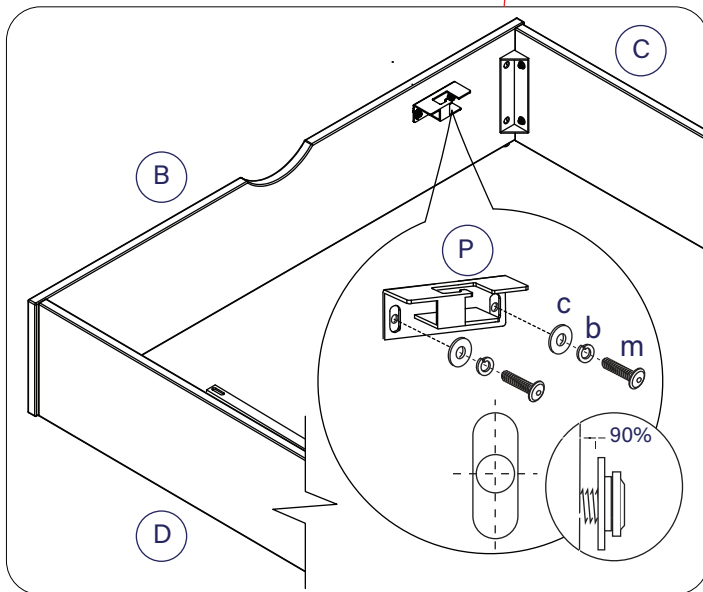
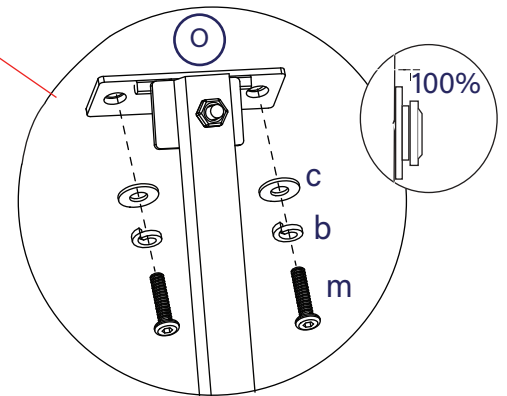
**9 Unpack the contents of the Ottoman Support Bar (O.S.B.) from its carton - this is packed inside Pack 2.**



**i)** To the underneath of the mattress base board (F) fit the parking bracket (Q). This is used to safely keep the support bar out of the way when not in use. Use one bolt set (m, b & c) - please make sure the bracket is fitted the correct way round as shown. Screw into the threaded insert on the underside of the board.



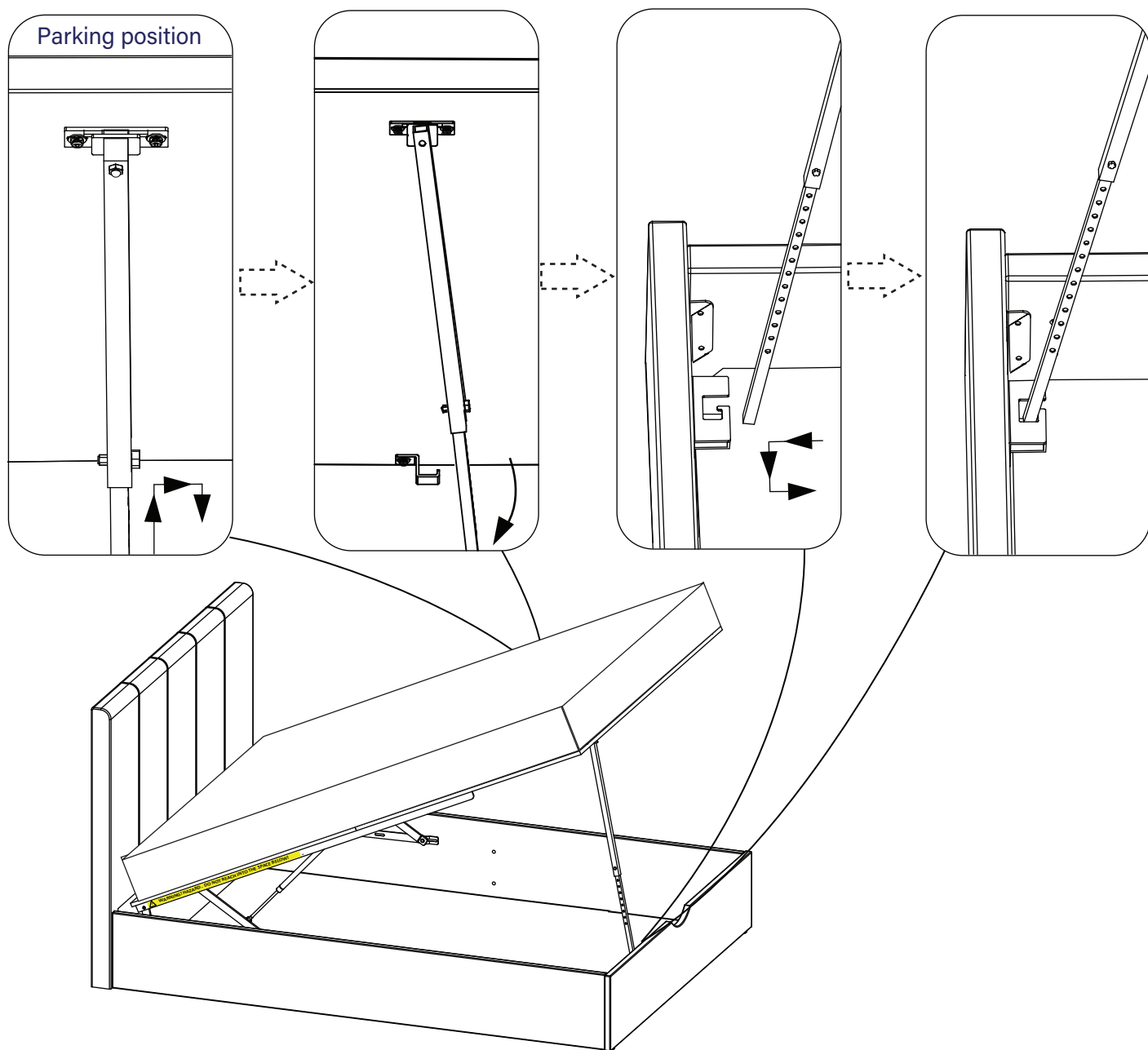
**ii)** To the underneath of mattress base board fit the O.S.B. support bar (O) as shown. Using two bolt sets (m, b & c) screw the bolts into the threaded inserts on the underside of the frame.



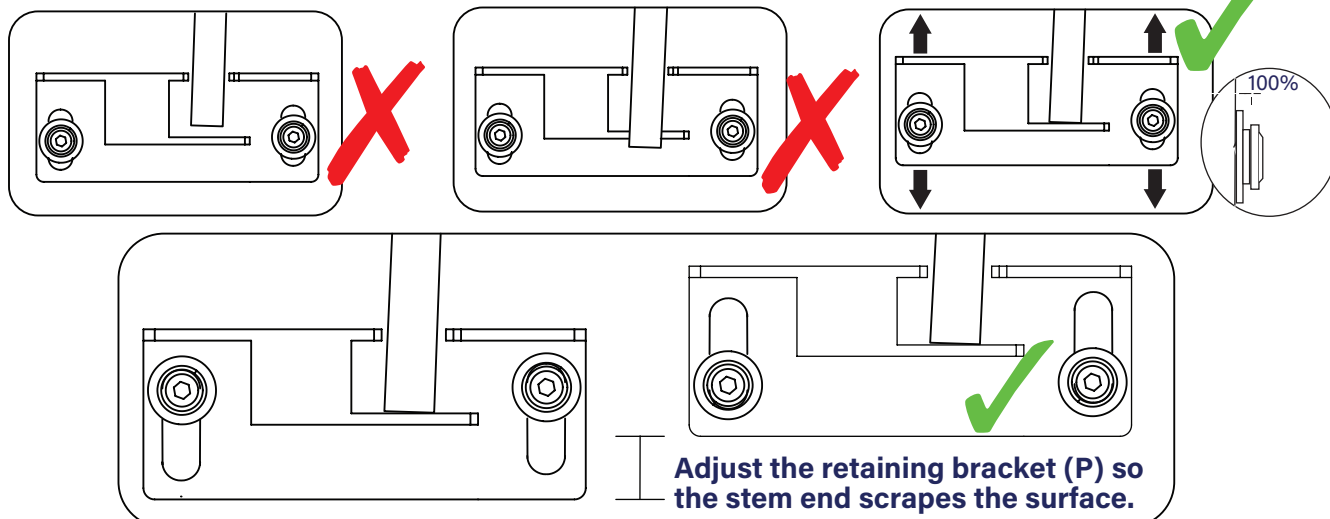
**iii)** Fit the fixed retaining bracket (P) to the footboard using two bolt sets (m, b & c). Screw the bolts into the threaded inserts in the footboard. Make certain the bracket is level and at the correct height. **Please do not tighten 100% yet.**

**iv)** The bolts should be in the centre of the long holes and one may need to slide the inner bar and the bracket, up or down so the bottom of the O.S.B. stem just touches the surface - better to do this AFTER the mattress is fitted.

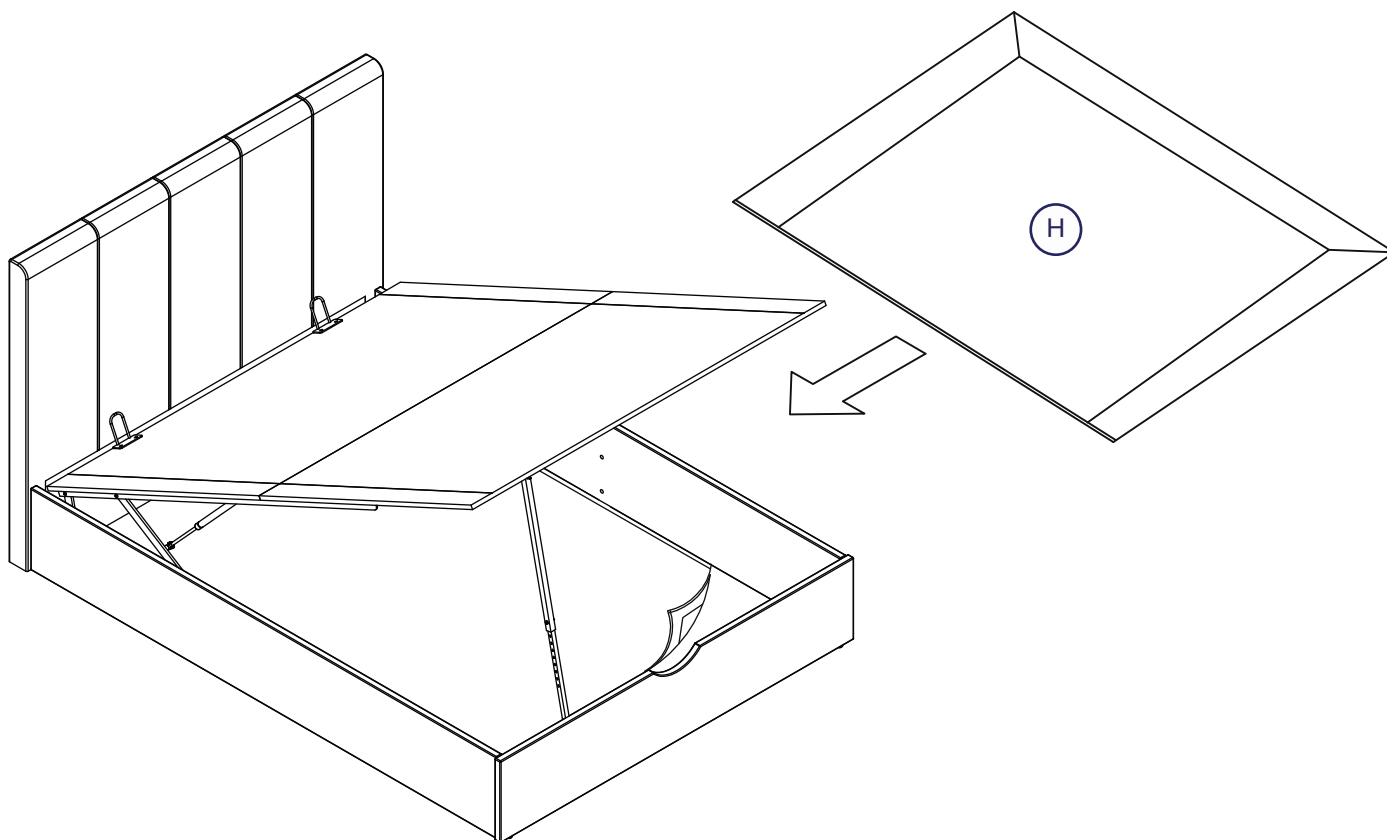
**10** Setting the inner stem of the support bar (O), adjust the inner stem to the correct length.



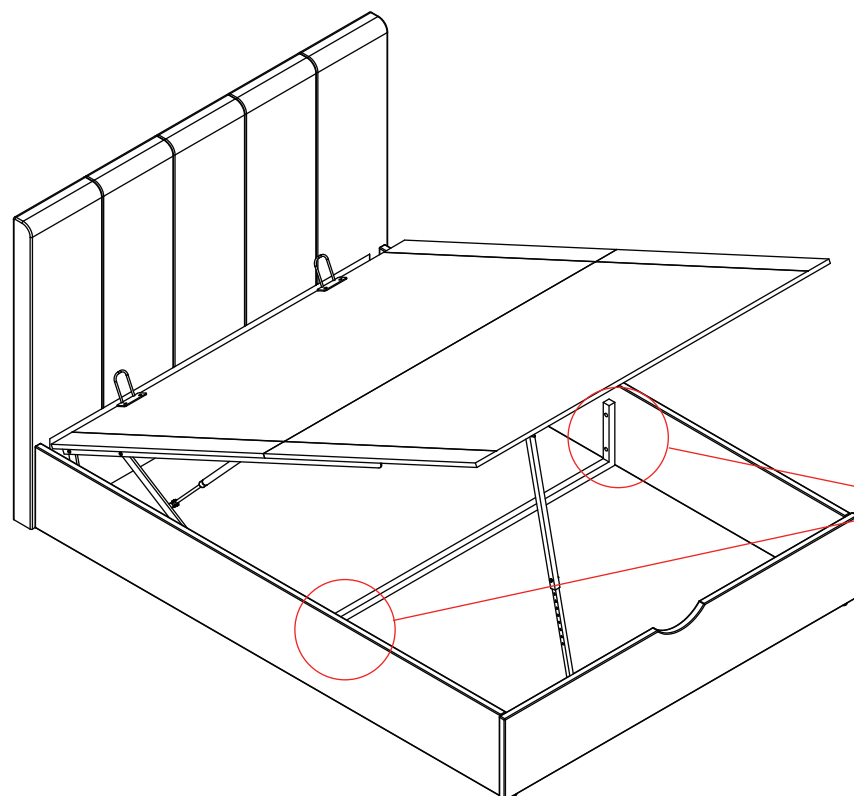
**Set the inner stem to the correct length so the end just touches the retaining bracket - it needs to touch to hold it in position.**


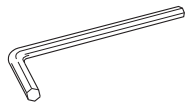
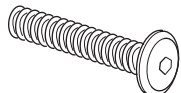


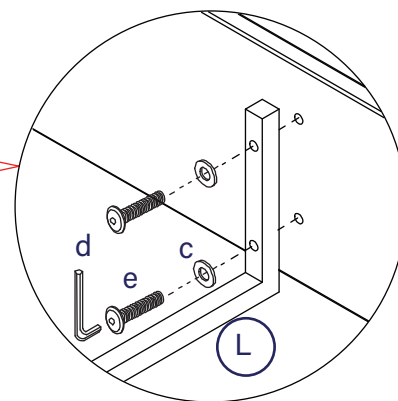
**11** Fit the fabric base cover evenly around the inside of the bed



**12** Fit the 'U' shaped side rail cross bar.



- c  x4
- d  x1
- e  x4



## Technical Specifications

### Overall Dimensions (LWH mm)

Small Double: 2150 x 1240 x 1220

Double: 2000 x 1390 x 1220

King: 2100 x 1540 x 1220

### Internal Dimensions (LWH mm)

Small Double: 1910 x 1160 x 295

Double: 1910 x 1310 x 295

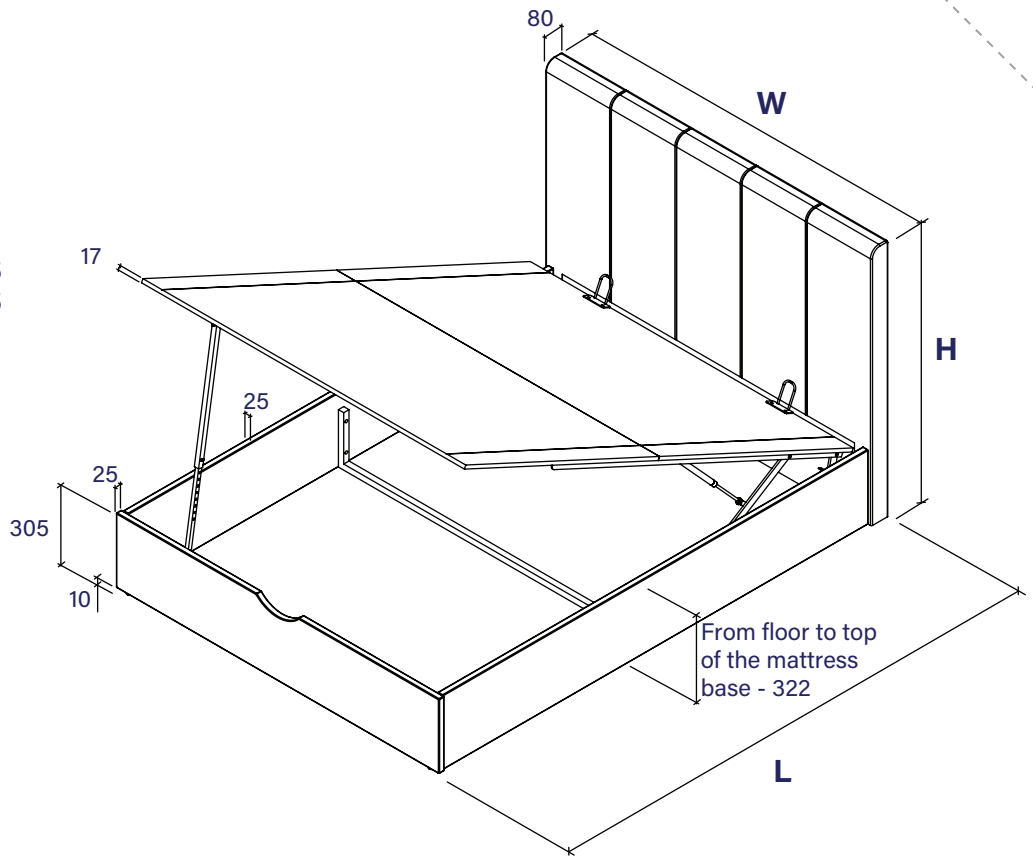
King: 2010 x 1460 x 295

### Ottoman Piston Rating

Small Double: 750 N

Double: 900 N

King: 1000 N



## Care and maintenance

Here are some tips to keep your new bed in tip-top condition



### Cleaning

To clean your new bed, we'd advise using a warm damp cloth or if fabric, remove dust using a low suction vacuum cleaner - please do not use abrasive chemicals or bleach as this may damage the product.



### Checking and moving

Periodically we recommend you check that the screws or fixtures haven't become loose over time. To move your new bed, we recommend lifting it where possible, as dragging or pushing it could cause damage to your flooring.



### Wood

Please note each of our wooden pieces are unique, meaning that markings and shade can vary slightly between beds. Over a period of time, the wood might lighten or fade slightly due to light exposure.



### Fabric

Please note depending on the lighting, positioning and surroundings of your room, the shade of the colour can sometimes appear slightly different. Over a period of time the colour might lighten or fade slightly due to light exposure.



### Metal

Metal tends to be more resilient to everyday wear and tear. We recommend to gently dust your metal furniture and keep it dry to maintain its look.

**Thank you for shopping with us - we hope you have a great night's sleep**

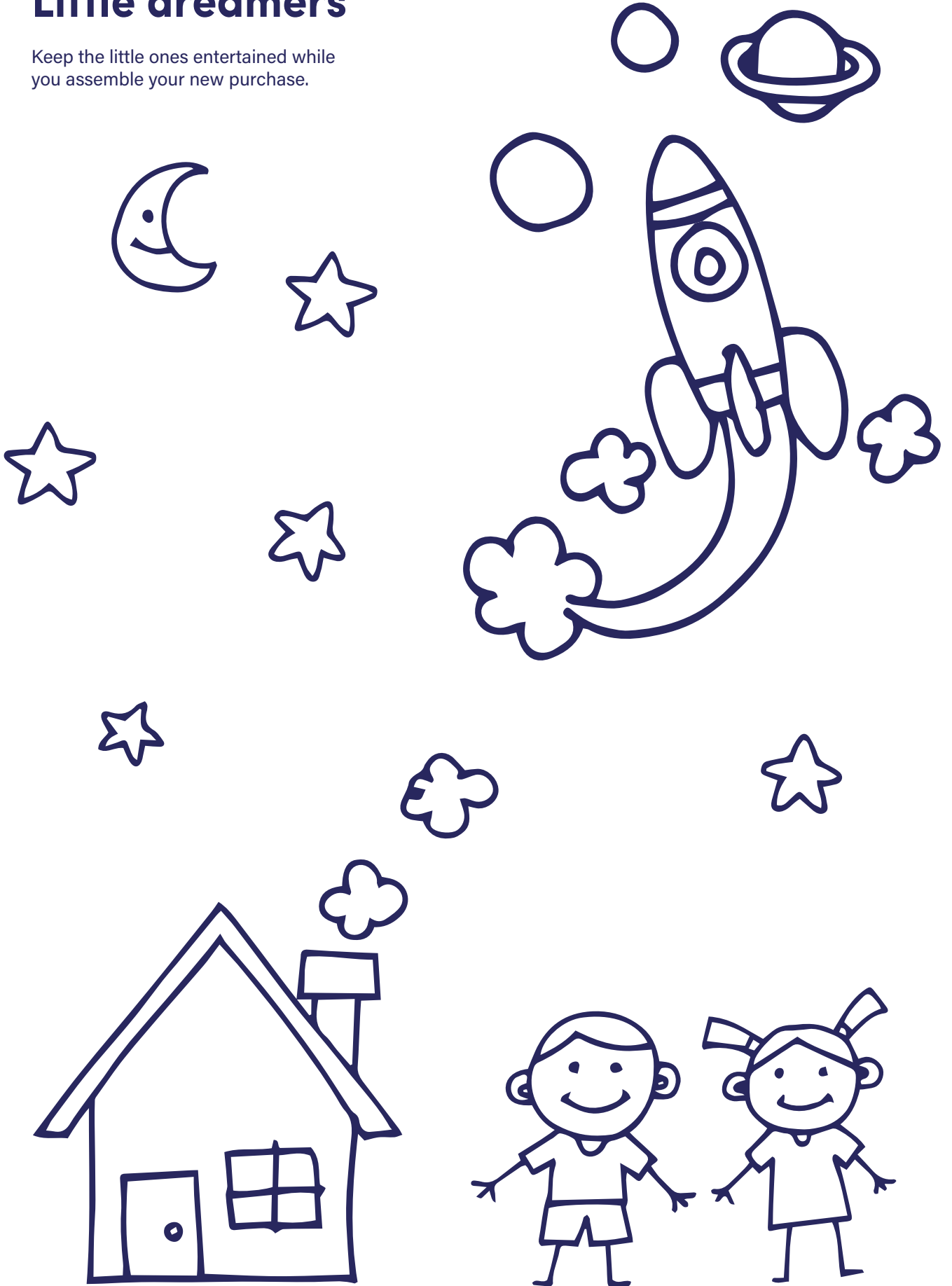
*Sleep well*





# Little dreamers

Keep the little ones entertained while you assemble your new purchase.



# Dreams