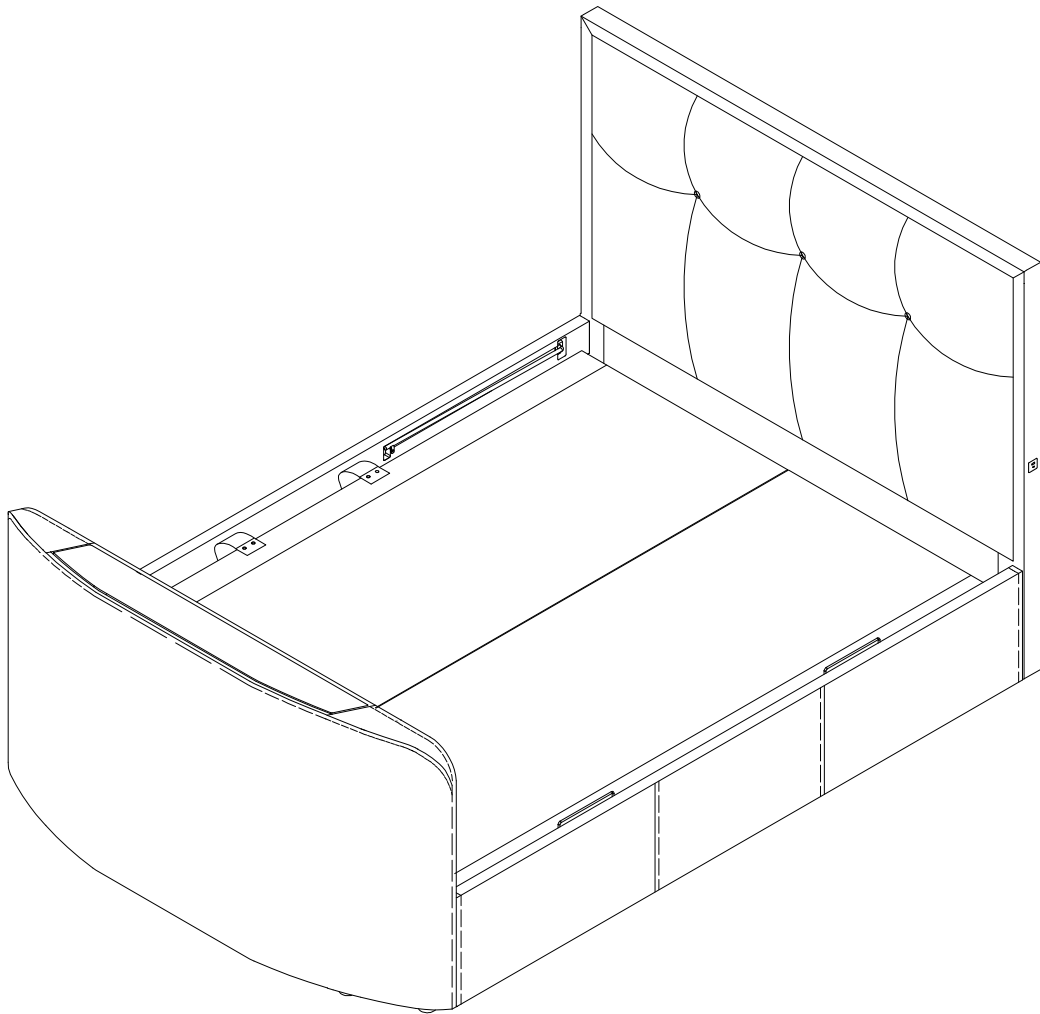
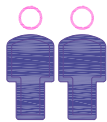


Hopkins TV Bed Ottoman



1 hour approx
assembly time

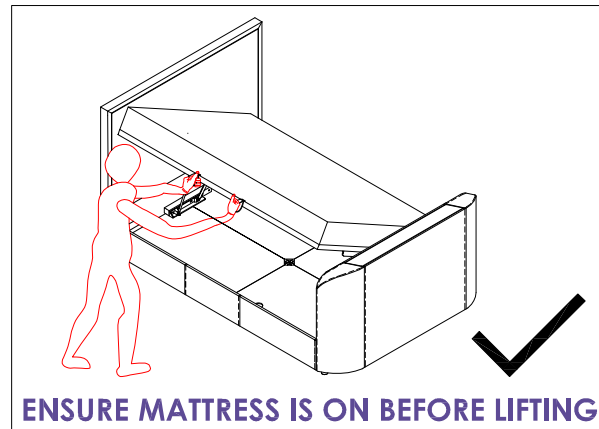


Two person
assembly

Dreams

IMPORTANT OTTOMAN SAFETY WARNINGS

- **IMPORTANT-READ CAREFULLY-RETAIN FOR FUTURE REFERENCE**
- You must ensure that the mattress is on the bed frame before operating the lift mechanism-Failure to do so could result in injury.



- Keep hands clear of the mechanism when opening or closing the ottoman.
- Beware of entrapment - Never reach in through the mechanism to access the storage area.
- Always ensure that the ottoman is FULLY opened before accessing the storage area.
- Do not exceed the maximum weight as specified in the table below :

Bed Size	Min Weight (kg)	Max Weight (kg) (Recommended)
Double	25	50
King	25	60
Super King	35	65

- Use caution when operating, always use the handle when lifting.
- Ottoman Support Bar - Always engage the support bar when accessing the storage area.
- Note: This bed uses a pressurised mechanism.
- To be operated by adults only.
- Please ensure that children and pets are kept away from the bed when operating the lift mechanism.
- Keep children and pets away from the storage area.
- Do not overload the internal storage base.
- Do not stand inside the internal storage area of the bed.
- Before removing the mattress secure the frame to ensure it does not open unexpectedly.
- Do not attempt to lie on the mattress when the ottoman is in the raised position.
- When lifting the ottoman remove all bedding except the fitted sheet.

Thank you

Hello, thanks for choosing to purchase your bed from Dreams - you're now on your way to your best ever night's sleep. Before you begin building your bed, please take a moment to read through the instructions and make sure that you've got all the relevant parts listed on the following pages.



Assembly tips

Before you begin, it's best to identify all parts and fittings to build your bed. We advise laying these out on the floor to check you have everything, and familiarising yourself before building.



Top tip

We recommend that you build your new bed in the room you'd like it to be located - this will help prevent any risk of damage to your newly built bed whilst moving it.



Safety and care

It's really important to ensure children and animals are kept away from the assembly area, as there are small components used in this bed which could present a choking hazard. All plastic and wrapping materials should also be kept away from children and animals to prevent any risk of suffocation. To keep your little ones busy, there is a colouring page inside the back cover.



Help and support

At Dreams, it's our mission to give the whole nation a great night's sleep - this means that the quality of our products is of utmost importance to us. If there are any issues with your product or any missing parts, please visit our website at www.dreams.co.uk/help



Recycling

Please ensure that packaging is disposed of in a safe and environmentally friendly way, and recycle where possible. Please keep your assembly instructions safe to refer back to in the future.

UK Tech Support

Email: support@bssbfurnitureinnovation.com

Tel: 01462 600 064

Important Information

- We suggest you spend time reading through this leaflet and then follow the simple step-by-step instructions.
- Carefully check that you have all the parts before beginning assembly.
- Keep fittings out of children's reach and keep children well away from construction area.

We suggest you retain these instructions for future reference.

Technical description:

An electro-mechanically operated TV bed with a wireless remote control to operate the 'upward' and 'downward' movement of the TV mechanism in the bed base foot-end. The system consists of either a 'posture slatted' or ottoman type 'boarded bed base'. The product has an integrated speaker system built into the foot-end bases. The product does not contain any safety functions built into a control system and is powered by voltage 100V - 240V 50/60Hz with a UK plug conforming to BS 1363 and pre-approved (UKCA/ CE marked) power supply unit. The beds upholstery conforms to EN 1725 & BS 5852 Standards. The product is sold to the retailer - without mattress and TV unit.

Intended use:

The product is designed for indoor home, domestic use where TV beds are considered suitable for "adults of 12 years and above". Its main intended use is for sleeping or resting. However, the foot-end of the bed has been designed and manufactured to accommodate, raise and lower, compatible televisions, purely for the purpose of the experiencing media entertainment.

TV Lift System has a maximum load capacity of 80lbs (37kg)

Compatible with slimline LED Televisions with a screen size between 20" and 43"

Maximum TV Dimensions are as follows - Depth 90mm x Width 970mm x Height 580mm (WITHOUT STAND).

(Note: The manufacturer does not accept any responsibility for damages caused to Televisions or Bed Frame Foot-ends, in scenarios or instances where a 'none compatible Television has been selected. Depths of TV and 'rear cable' protrusion measurements should be of particular note.

Application environment:

This product is designed for sale in the UK for use within a domestic environment (excluding nursing homes, geriatric facilities, hospitals, contract environment). The product is designed to be moved only within the intended room of use, for cleaning and for access.

Care Instructions

- Avoid exposing the furniture to excessive heat or direct sunlight as this can cause cracking and deterioration of the color.
- Periodically check & re-tighten any fastener.
- Periodically dust lightly with a clean soft cloth.
- Do not use silicone based furniture polish.
- Any spills should be removed immediately with a soft damp cloth.
- TAKE CARE WHEN MOVING THE FURNITURE AND NEVER DRAG THE PIECES ACROSS THE FLOOR, AS THIS WILL CAUSE DAMAGE TO THE JOINTS.

**DO NOT USE ANY POWER TOOLS AS THIS MAY DAMAGE THE FRAME AND WILL
INVALIDATE ANY CLAIM**

Tips before you start!

1. Please check that all parts are present before you start the assembly of your furniture.
2. For ease and speed of assembly, we recommend that before you commence each step of the assembly, that you identify all the parts required for that step.
3. For larger items, please ensure that you have sufficient space and people (as indicated on page 1) to assemble your product safely. (Minimum Two Persons)
4. We recommend where possible, all items are assembled near to the area where they will be placed in use, to avoid moving the product unnecessarily once assembled.
5. Please ensure that your bed is placed on a level floor area. (Avoid setting up and installing your bed on uneven floor surface.)
6. For the protection of your furniture, we recommend that the product is placed on a protected surface during assembly to prevent any damage.
7. During assembly please take care not to over-tighten any fittings, as this may damage the product.

Care and Maintenance of your Furniture

- Please do not jump on your furniture.
- Never allow any kind of liquid to remain on your furniture. This can cause finishes to de-laminate. Take care when spraying Perfume and deodorants etc as the vapour can settle on the fabric surface and cause damage.
- The bed should always be lifted into position if moved for cleaning.
- In instances the TV lift mechanism or audio system are not functioning correctly, please switch off main power and check all the connections and assemblies are to the assembly instruction specification.

ATTENTION! PLEASE NOTE:

In the event you are experiencing any technical difficulties and you require additional assistance/support with your product 'Mechanical/ Electrical' function - Please contact:

SUPPORT EMAIL : support@bssbfurnitureinnovation.com

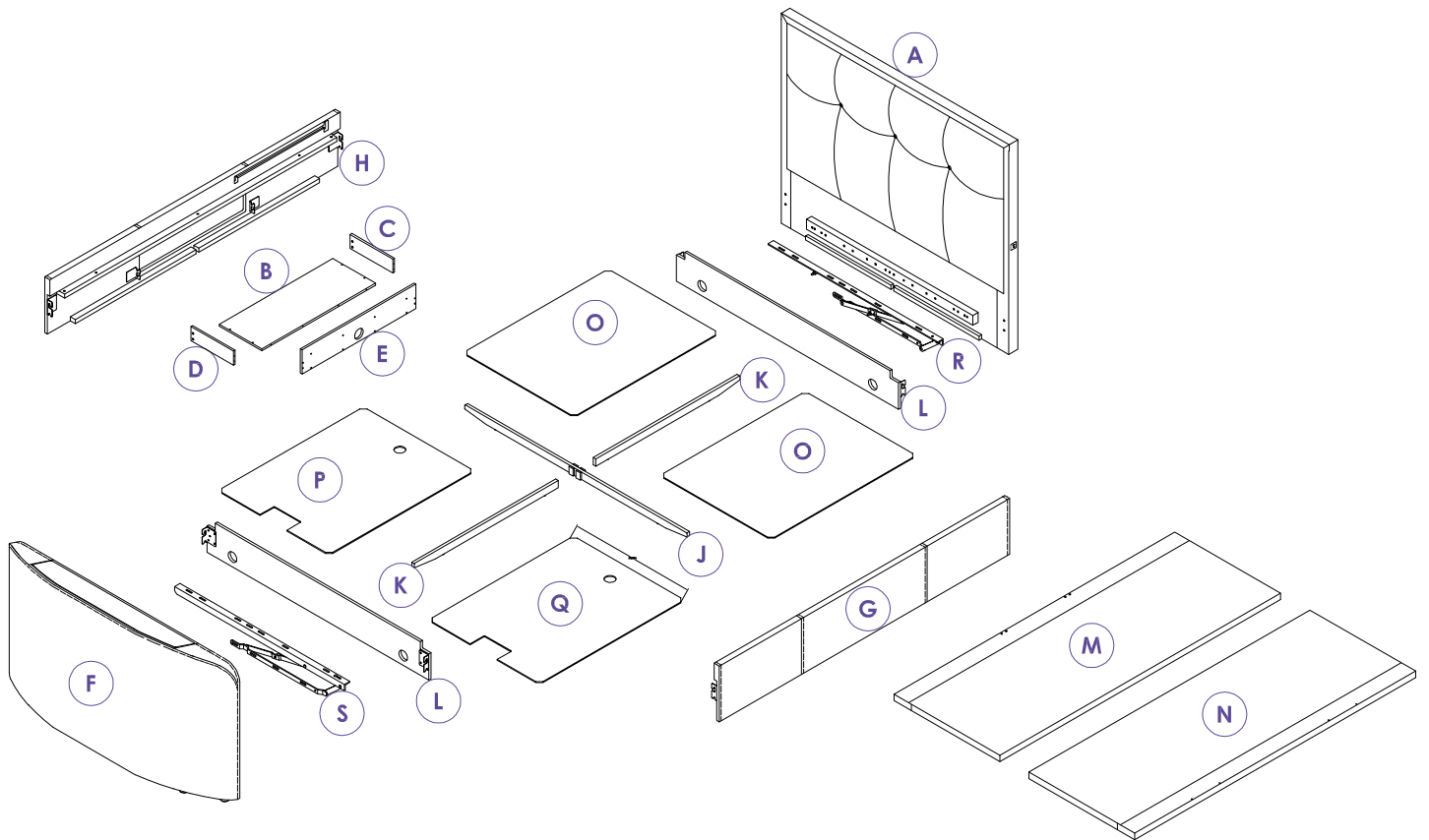
UK PRODUCT SUPPORT HOTLINE : 01462600064

Contact your retailer for all other issues such as damage, missing or faulty components (non electrical) or anything else of a non technical/electrical nature.

Parts

Important information

Please identify which base you have purchased with your bed frame as the assembly method may change. Once you have identified you have all of the relevant parts and fittings, please follow the instructions for your chosen base below;

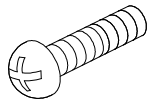


Parts list

A.	Headboard	<input type="checkbox"/>	L.	Centre Rail	<input type="checkbox"/>
B.	Media Compartment Base Panel	<input type="checkbox"/>	M.	Front Lift Base	<input type="checkbox"/>
C.	Media Compartment Side Panel (L)	<input type="checkbox"/>	N.	Back Lift Base	<input type="checkbox"/>
D.	Media Compartment Side Panel (R)	<input type="checkbox"/>	O.	Base Panel (Head End)	<input type="checkbox"/>
E.	Media Compartment Rear Panel	<input type="checkbox"/>	P.	Base Panel Left (Foot End)	<input type="checkbox"/>
F.	Footboard	<input type="checkbox"/>	Q.	Base Panel Right (Foot End)	<input type="checkbox"/>
G.	Side Rail- 1	<input type="checkbox"/>	R.	Lift Up Mechanism Left	<input type="checkbox"/>
H.	Side Rail- 2	<input type="checkbox"/>	S.	Lift Up Mechanism Right	<input type="checkbox"/>
J.	Bottom Cross Rail (Long)	<input type="checkbox"/>			
K.	Bottom Cross Rail (Short)	<input type="checkbox"/>			

Fittings

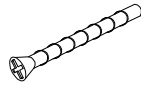
Please check you have all the parts listed below with your product:



(T) M8 x 25
x 10 pcs
(x 8 pcs
Pre-Installed)



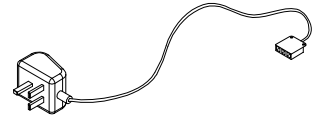
(U) M8 x 16
x 12 pcs



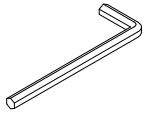
(V) M5 x 35
x 12 pcs



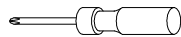
(W) M4 x 12mm
x 1 pc
(x 4 pcs
Pre-Installed)



(AC) 3 Way AC Adaptor
x1 pc



(AD) Allen Key M4



(AE) Screwdriver



(AF) Strap Handle
x 2 pcs



(AG) Ø5 x 80 x 200mm
x 2 pcs



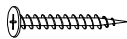
(AH) M6 x 20
x 6 pcs
(x 14 pcs
Pre-Installed)



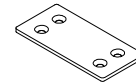
(AI) M6 x 16mm
x 4 pcs
(x 12 pcs
Pre-Installed)



(AJ) M8 x 18mm
x 10 pcs



(AK) #8 x 1-1/4"
x 16 pcs



(AL) 3 x 40 x 86mm
x 4 pcs



(AM) M8 x 13mm
x 4 pcs



(AN) Spanner
x 1 pc



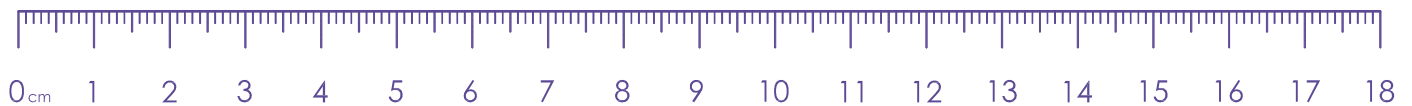
(AO) Gas Spring
x 2 pcs
* DOUBLE 800N
* KING 1000N
* SUPER KING 1400N



(AP) Ottoman Support Bar
x 1 pc



(AQ) Cable Clip
x 1 pc



Tools required

Please check you have all these below:



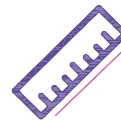
Flathead
screwdriver



Scissors



Spanner



Tape measure



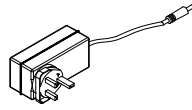
Cross head
screwdriver

Fittings (TV Lift & TV Connection)

Please check you have all the parts listed below with your product:



(1) Remote Control x 1
Batteries x 2



(11) Power Adaptor
x 1 pc



(16) Cable Clip
x 2 pcs



(17) Aerial Connection
x 1 pc



(18) 90 degree HDMI adaptor
x 1 pc



(19) Allen Key (M4)
x 1 pc



(20) PH M4 x 20mm
x 2 pcs



(21) PH M5 x 20mm
x 2 pcs



(22) PH M6 x 20mm
x 2 pcs



(23) PH M8 x 20mm
x 2 pcs



(24) M5 Washer
x 2 pcs



(25) M6 Washer
x 2 pcs



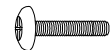
(26) M8 Washer
x 2 pcs



(27) Plastic Collar
x 6 pcs



(28) PH M4 x 40mm
x 2 pcs



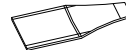
(29) PH M5 x 40mm
x 2 pcs



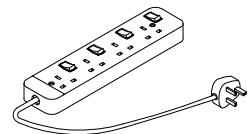
(30) PH M6 x 40mm
x 2 pcs



(31) PH M8 x 40mm
x 2 pcs



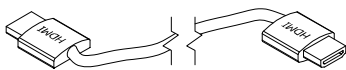
(32) Wireless Remote
Control Pocket
x 1 pc



(33) 4 Way Extension Socket
x 1 pc

Fittings (Audio / Speaker Connection)

Please check you have all the parts listed below with your product:



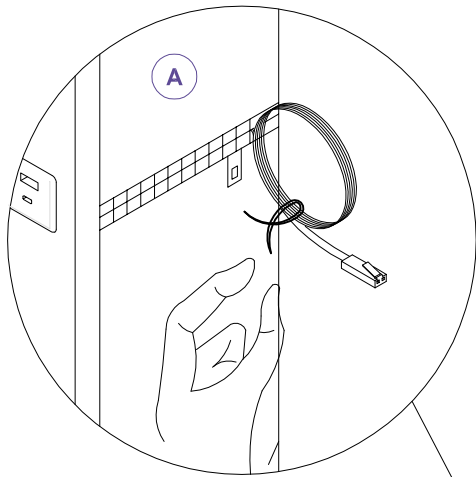
(10) HDMI Cable
x 1 pc

Head End Connect the USB Charger

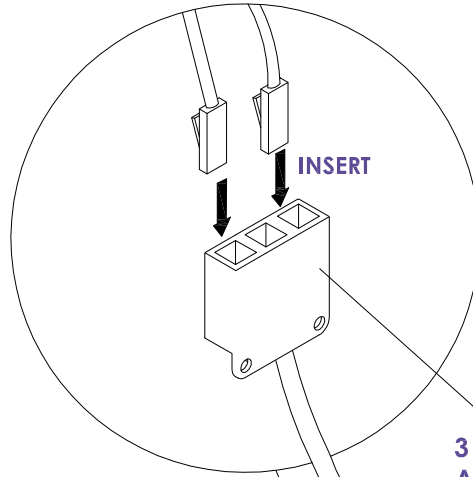
1

- The head end will be against the wall.
- Untie the USB male connector located in the back side of headboard as shown.
- Insert all the connector to the 3 way AC adaptor (AC) as shown.
- Plug the 3 way AC Adaptor (AC) directly into a mains wall socket.
- Switch on the mains power supply.

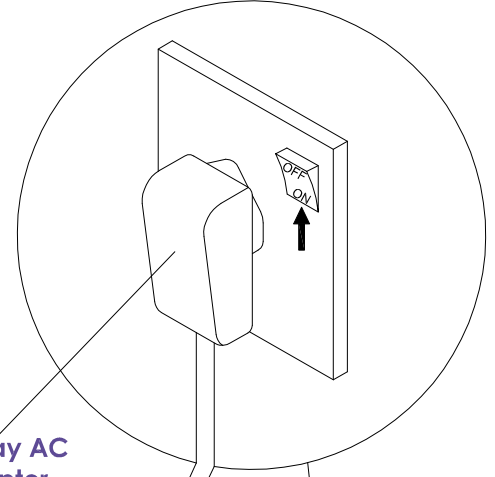
STEP 1-1



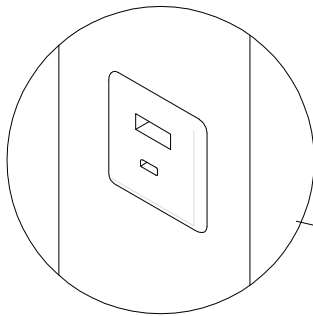
STEP 1-2



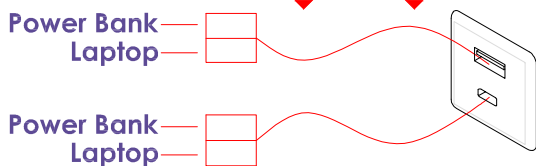
STEP 1-3



-USB Charger
(TYPE-A / TYPE -C)



Do not charge the following items

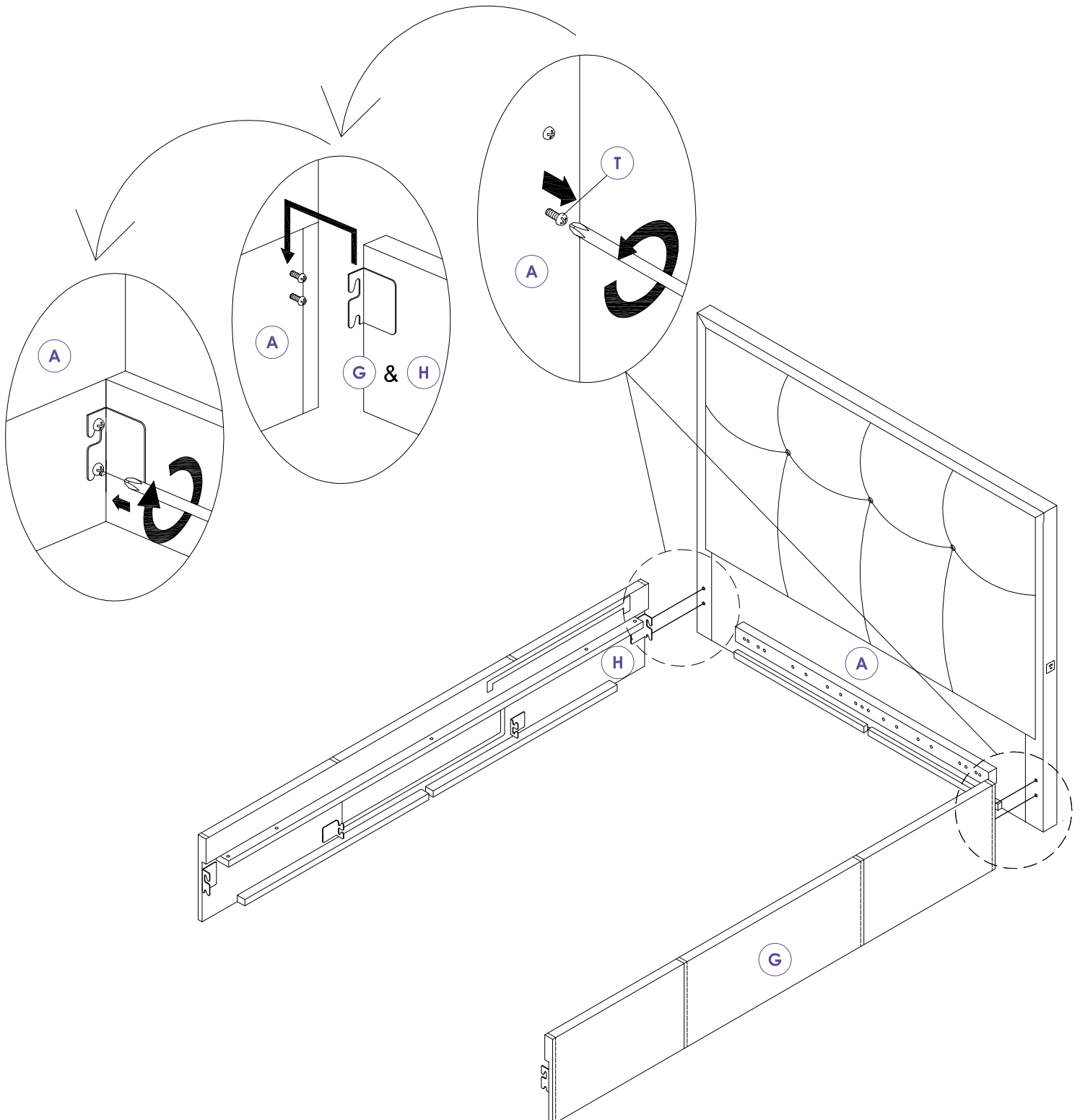


1. Please monitor the device under charge, if the device does get hot stop using charger immediately.
2. Ensure that device being charged are free of moisture and the charging cable is in good condition.
3. Please refer to respective device user manual to seek the suitability of charging method.

Head End & Side Rail Assembly

2

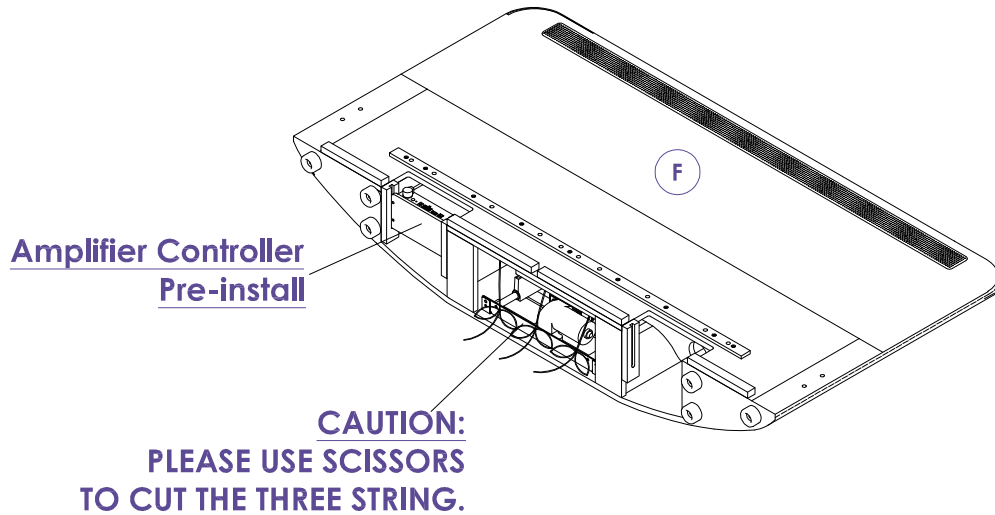
- Before assembly please decide which side you require the " Media Compartment " Part 'H' side rail with opening will need to be placed at that side.
- Loosen the bolts located in the head end. (Note: only loosen the bolts Do NOT remove them.)
- Hook the side rail over the bolts as shown.
- Repeat the action on the opposite side.
- Leave bolts finger tight (Do Not Tighten).



Foot End Hardware

3

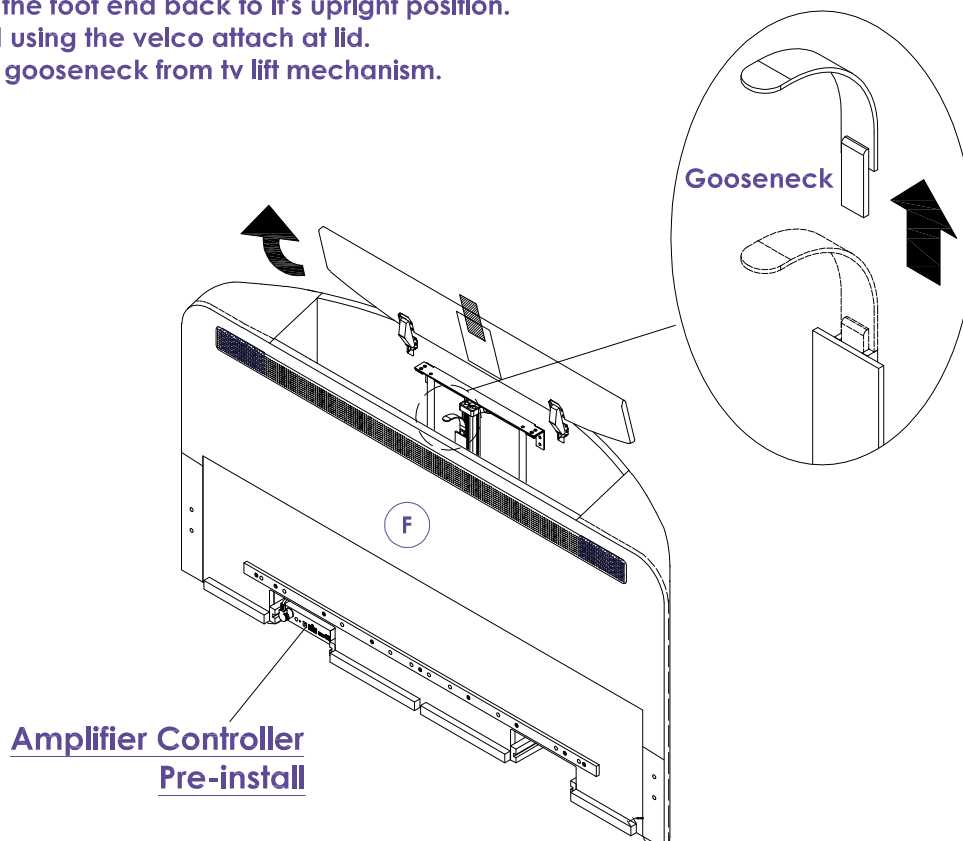
- Carefully remove the footboard from carton 2.
- To do this you will need to gently lay the foot end on it's back. Before doing so please ensure the area is completely free of anything that may cause damage or press into the fabric. Place a protective cover on the floor to avoid possible damage.
- The accessories box are held in place by string please carefully cut these.



Foot End Hardware

4

- Carefully lift the foot end back to it's upright position.
- Open the lid using the velcro attach at lid.
- Remove the gooseneck from tv lift mechanism.

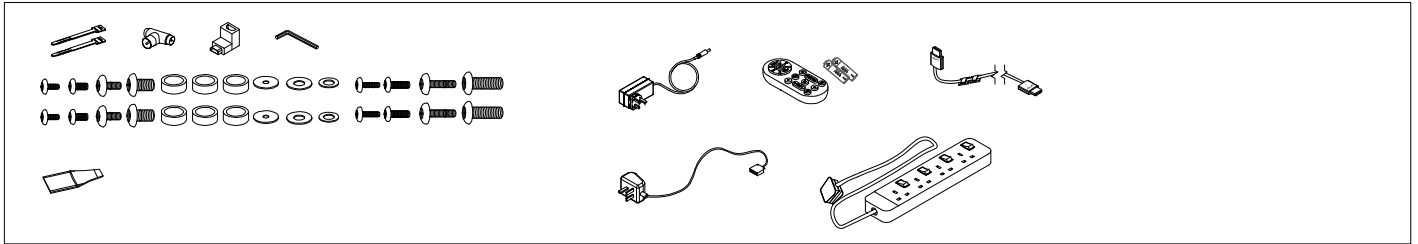


Foot End Hardware

5

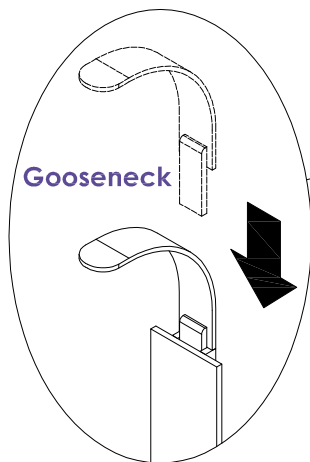
- Remove the Hardware Box from inside.
- Attach back the gooseneck to the tv mechanism.
- Remove the velco from the lid.

Hardware Box



CAUTION:
TAKE CARE WHEN REMOVING
THE ACCESSORY BOXES NOT
TO CATCH YOUR HANDS ON
THE SIDES.

Remove the velco after take out the
hardware box from foot end.



Amplifier Controller
Pre-install

ATTENTION! PLEASE NOTE:

In the event you are experiencing any technical difficulties and you require additional assistance/support with your product 'Mechanical/ Electrical' function - Please contact:

SUPPORT EMAIL : support@bssbfurnitureinnovation.com

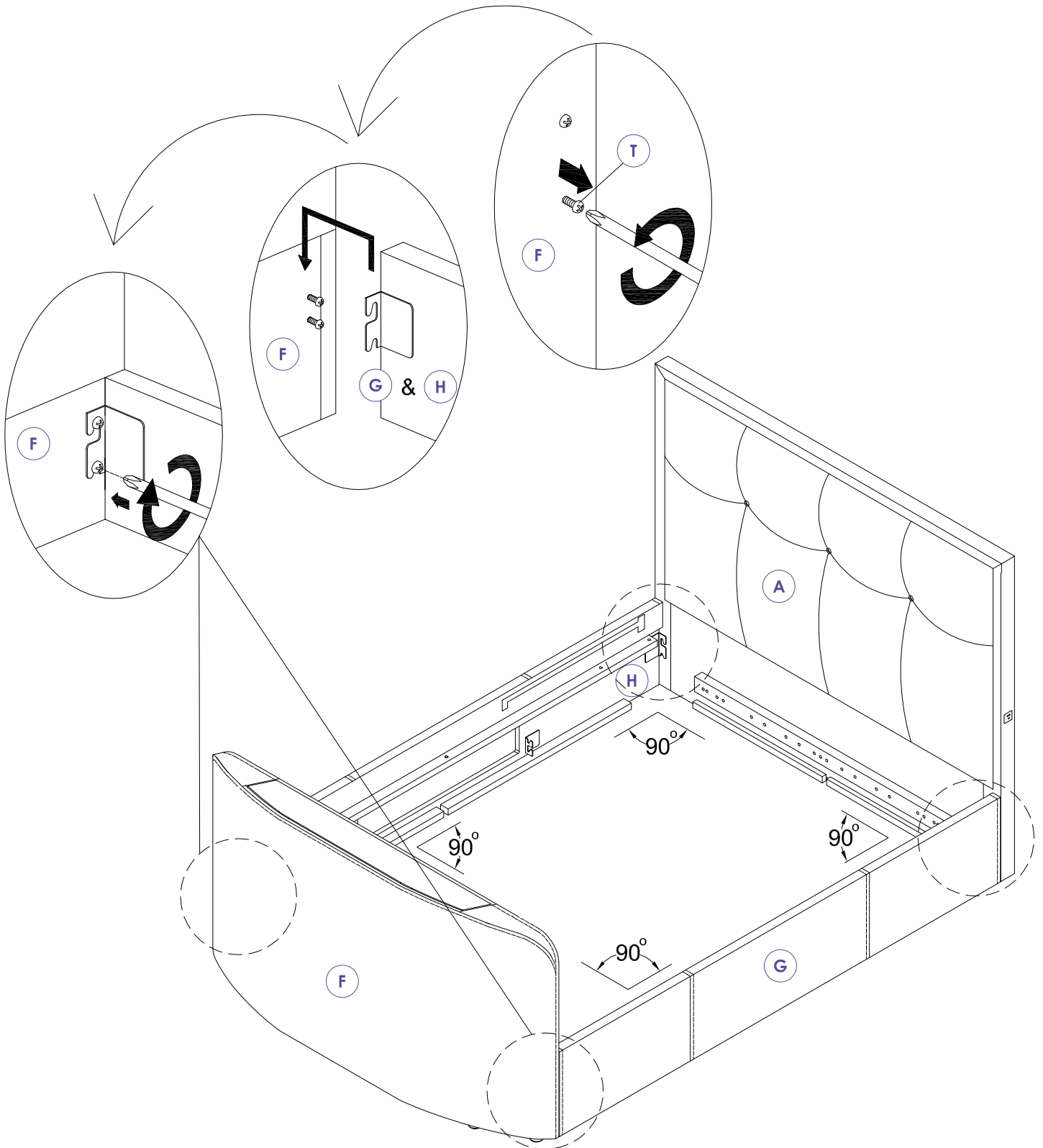
UK PRODUCT SUPPORT HOTLINE : 01462600064

Contact your retailer for all other issues such as damage, missing or faulty components (non electrical) or anything else of a non technical/electrical nature.

Foot End & Side Rail Assembly

6

- Loosen the bolts located in the foot end.
- Please note these should only be loosened and **NOT** removed.
- Hook the side rail brackets over the bolts on both sides.
- Tighten all the bolts in footboard , headboard and side rail as shown.
- Make sure the four bed frame interior angles are at 90°

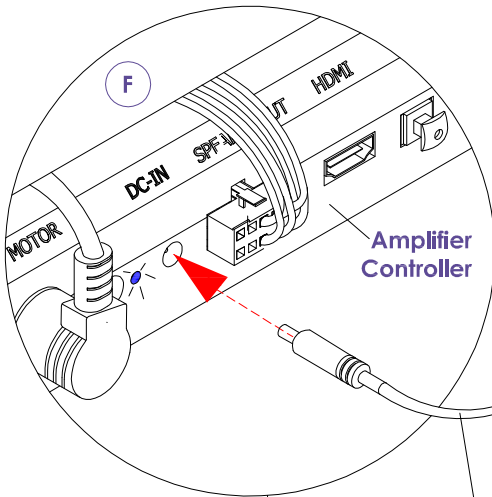


Power Adaptor Assembly

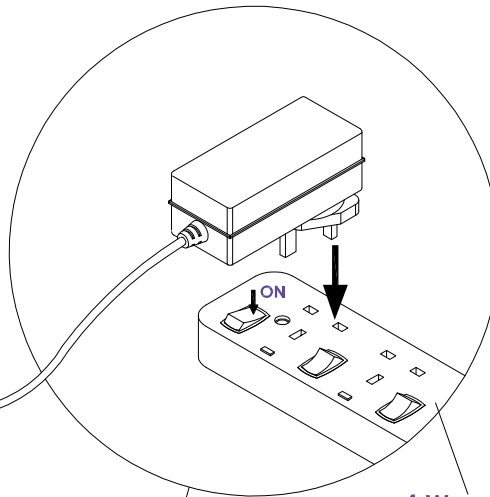
7

- Connect the Power Adaptor socket (11) to the Amplifier Controller and 4 way extension socket (33) as shown (Step 7-1) & (Step 7-2) .
- Connect the 4 way extension power socket cable to a working mains power supply as shown (Step 7-3).
- Switch on the mains power supply. The Amplifier Controller blue indicator light will appear and you will hear the "bluetooth mode" voice indication.
- Put in 4 socket extension lead to the Right side of foot end mouse hole as shown.

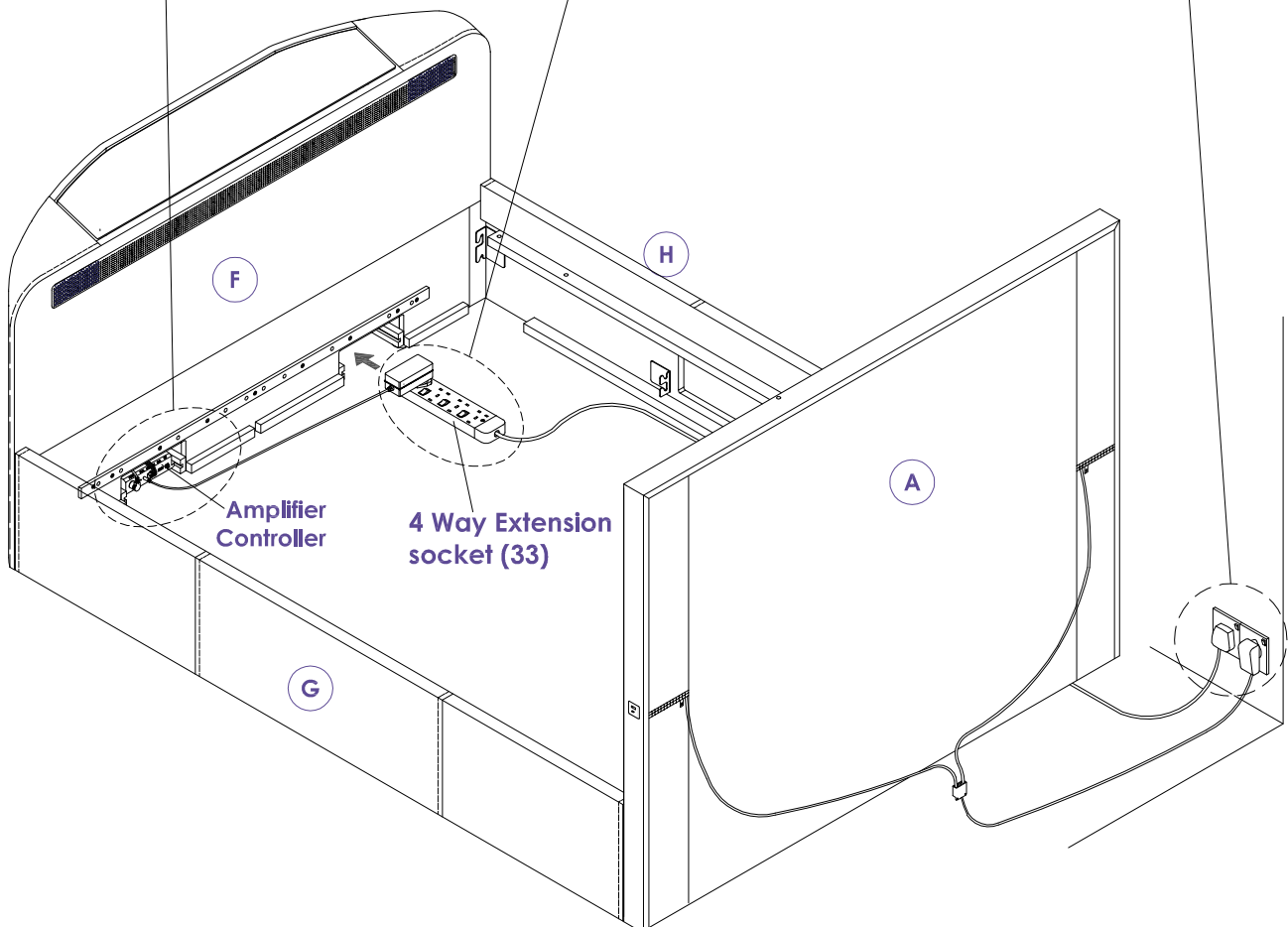
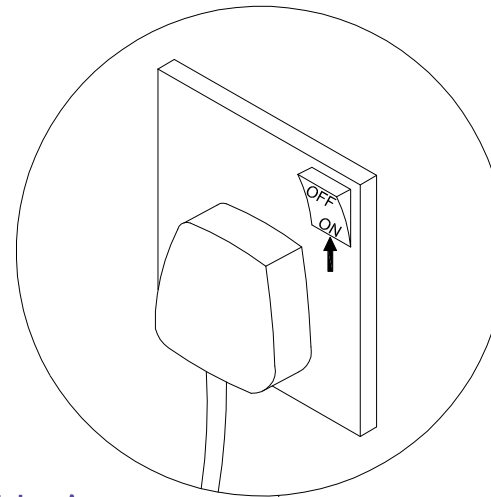
STEP 7-1



STEP 7-2



STEP 7-3



Wireless Remote Control Batteries Installed

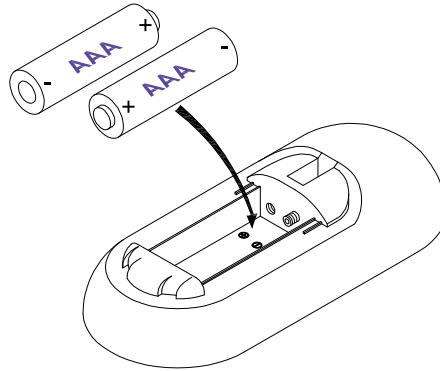
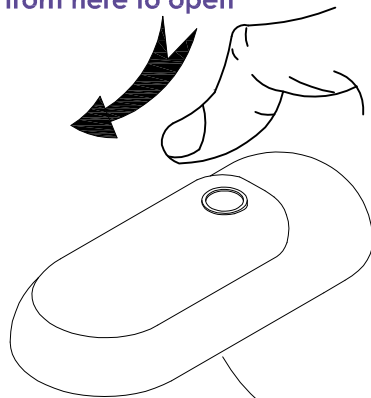
8

- Installing Batteries in the Wireless Remote Control.

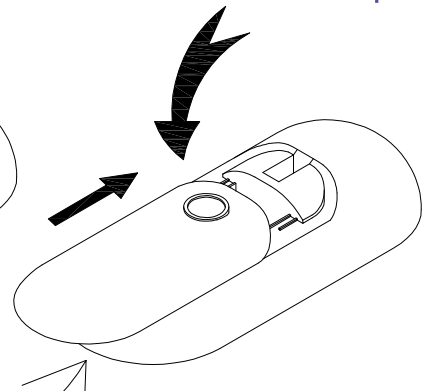
Battery:
Size: AAA - Ø10.5 X T44.5mm
Spec.: 1.5V

(AAA) Batteries x 2pcs (provided) install to battery case.
Caution: May explode or leak if recharged, inserted improperly, mixed with different battery types. Do not open battery. Dispose of used batteries promptly. Keep away from children.

Push out the battery case from here to open

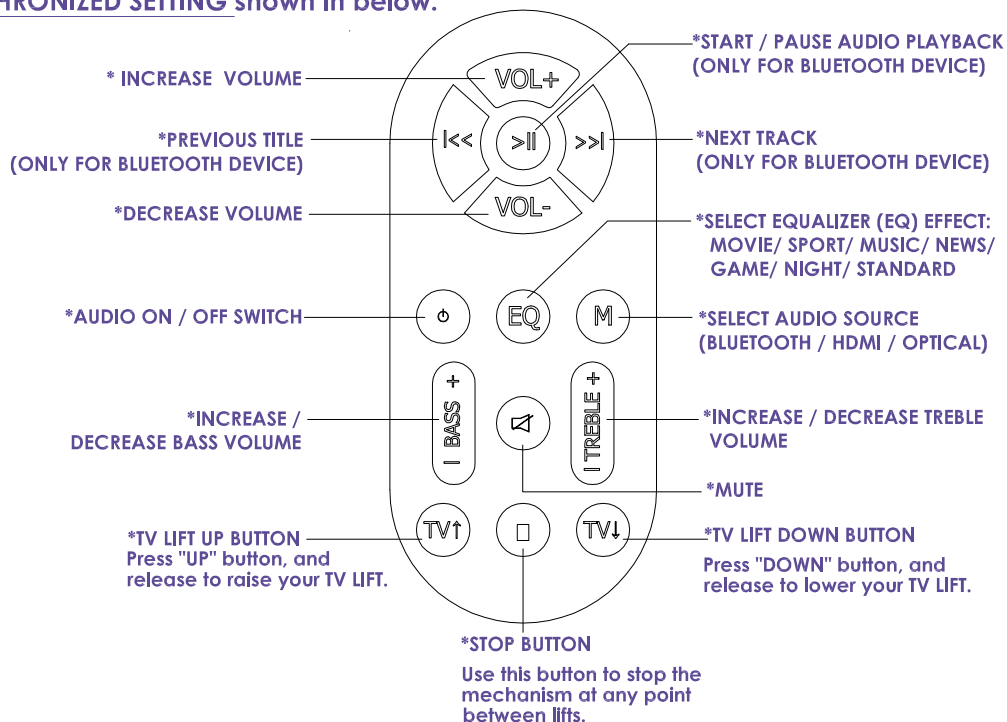


Close the battery cover and slide it until it clicks into place.



9

- Wireless Remote control.
- If the wireless remote control does not operate the TV lift mechanism, please follow the SYNCHRONIZED SETTING shown in below.



WIRELESS REMOTE CONTROL SYNCHRONIZATION

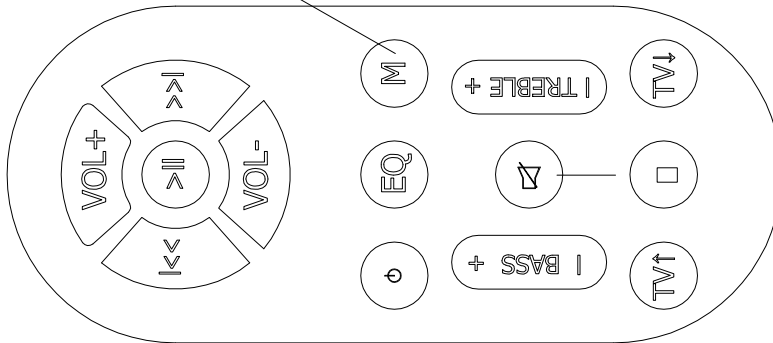
- Ensure there are two working batteries fitted correctly inside the remote control.

- Turn on the main power supply, then press and hold the TV lift "UP" button for 5 seconds, again to release the button and press the TV lift "UP" button to raise the TV mechanism.
- Now the wireless remote control is ready to use.
- If the above step haven't been done, the synchronization was not success and need to repeat the step again.

Audio select mode

10

- Audio select mode (Bluetooth / HDMI / Optical).
- Press the **M** button on the wireless remote control to select the desired audio mode.



PLAYING SOUND THROUGH BLUETOOTH CONNECTION - (BLUETOOTH MODE)

- After Audio Power ON, the default mode is "Bluetooth" (voice indication "Bluetooth mode").
- The first time you connect your bluetooth device to this player pairing required.
- On your audio player device - look for "BSSB 2.1S" under BT Connection Settings.
- Select "BSSB 2.1S".
- The BT connection should automatically take place with a connected voice indication " bluetooth connected".
- Adjust the volume / equalizer / according to your sound preferences, on the remote control.

PLEASE NOTE: IN ORDER TO CONNECT AN ALTERNATIVE DEVICE, YOU WILL NEED TO DISCONNECT THE CONNECTED DEVICE FIRST!!

PLAYING SOUND THROUGH THE TV - (HDMI MODE)

- Using the remote control - press 'M' button to switch the audio source to "HDMI mode" with (voice indication "HDMI mode").
- Ensure the HDMI cable is correctly connected to both the television and 2.1 Amplifier Controller (see page 17- step 11 & page 20 - step 15 of your assembly instructions).
- Ensure the Television is powered on and playing a picture with sound.
- Adjust the volume / equalizer / according to your sound preferences, on the remote control.

PLAYING SOUND THROUGH THE TV - (OPTICAL MODE)

- Using the remote control - press 'M' button to switch the audio source to "Optical mode" with (voice indication "Optical mode").
- Ensure the optical cable is correctly connected to both the television and 2.1 Amplifier Controller (see page 17 - step 11 & page 20 - step 15 of your assembly instructions)..
- Ensure the Television is powered on and playing a picture with sound.
- Adjust the volume / equalizer / according to your sound preferences, on the remote control.

TV Cable Connection Plan

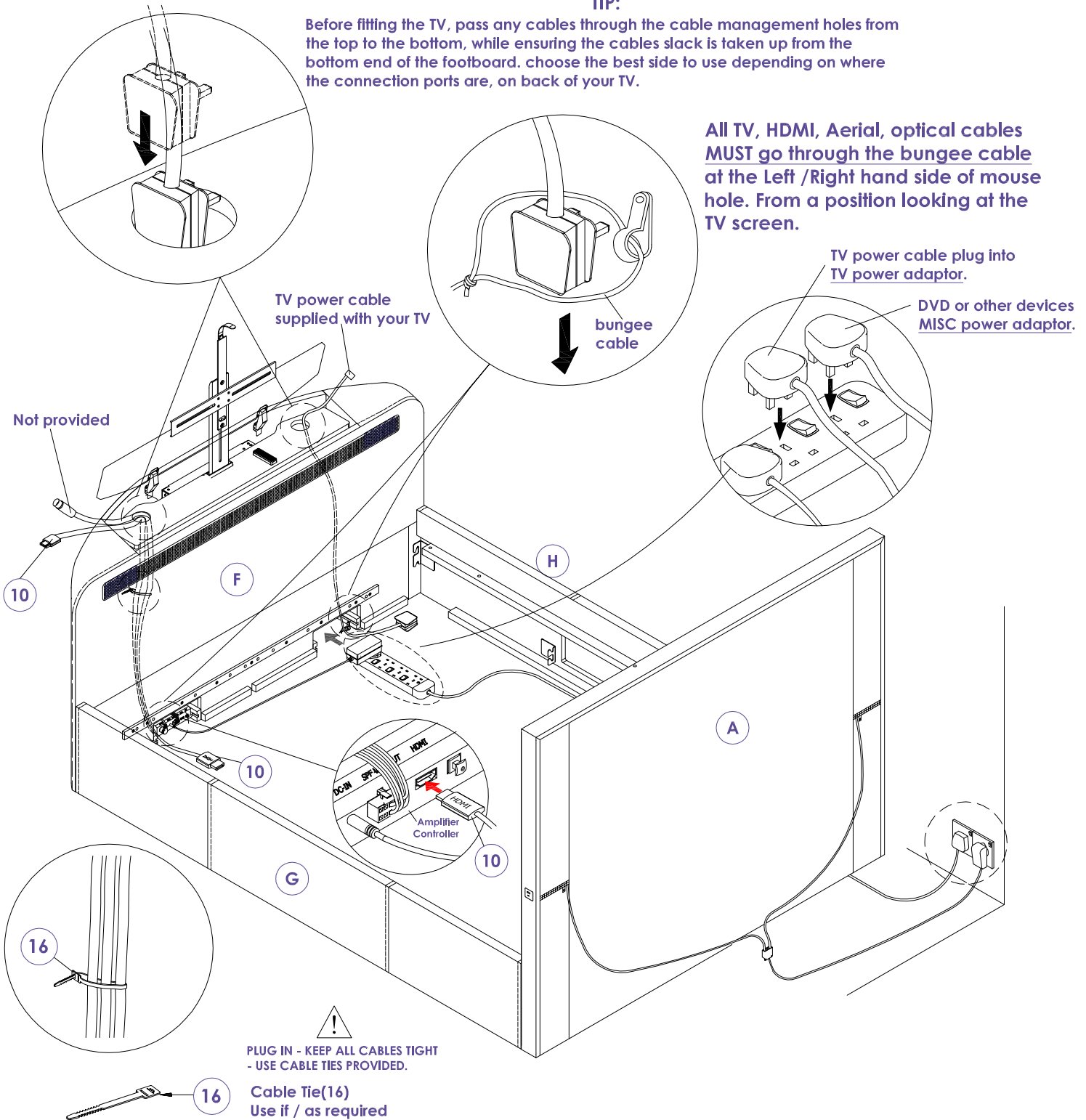
11

- Cable connection plan. Make sure you have all the relevant cable connections required (HDMI cable, TV Aerial cable, TV power cable, Optical cable etc...) before you install the TV.
- The cable management holes are to help you to manage the cable and keep them tidy and free from snags. Pass all cables cleanly through these holes. While ensuring any cable slack is taken up from the bottom end of the footboard.

TIP:

Before fitting the TV, pass any cables through the cable management holes from the top to the bottom, while ensuring the cables slack is taken up from the bottom end of the footboard. Choose the best side to use depending on where the connection ports are, on back of your TV.

All TV, HDMI, Aerial, optical cables **MUST** go through the bungee cable at the Left /Right hand side of mouse hole. From a position looking at the TV screen.



!
PLUG IN - KEEP ALL CABLES TIGHT
- USE CABLE TIES PROVIDED.

16 Cable Tie(16)
Use if / as required

- Place all cables through the 'Cable Management' holes to prevent any damage to the cable when the TV Lift Mechanism is operating. Make sure all your the cables are long enough to let the TV Lift Mechanism move freely.
- All the cables **MUST** be carefully pulled through the footboard and fully extended.
- Group the cables together as required below the TV Tray using cable tie(16) provided.
- Note: Do not pass any cables across the back of the mechanism.

TV Tray Adjustment

12

- To adjust the TV tray to suit the height of your TV (without stand). Please follow step below

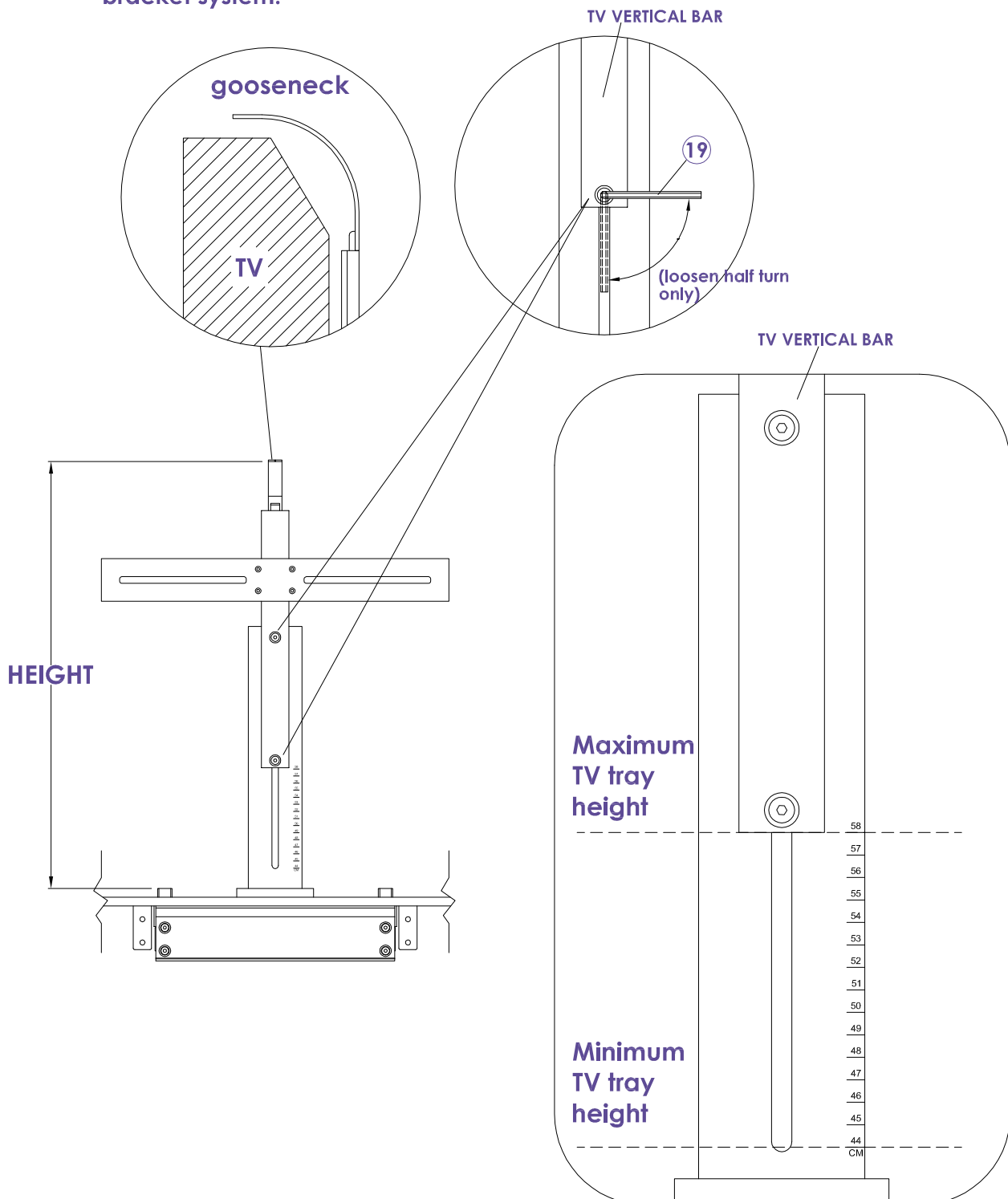
12.1 : Measure and make a note of the height (without stand!).

12.2 : Use the Allen key (19) to slightly loosen the up/down adjuster bolts-half turn only, do not remove all. (Please refer diagram below)

12.3 : Slide "the TV vertical bar up/down, while using the measure line matching the noted measurement height of your TV. Then fully tighten the bolts.

12.4 : When the TV is mounted it should sit neatly just beneath the lid opening Gooseneck.

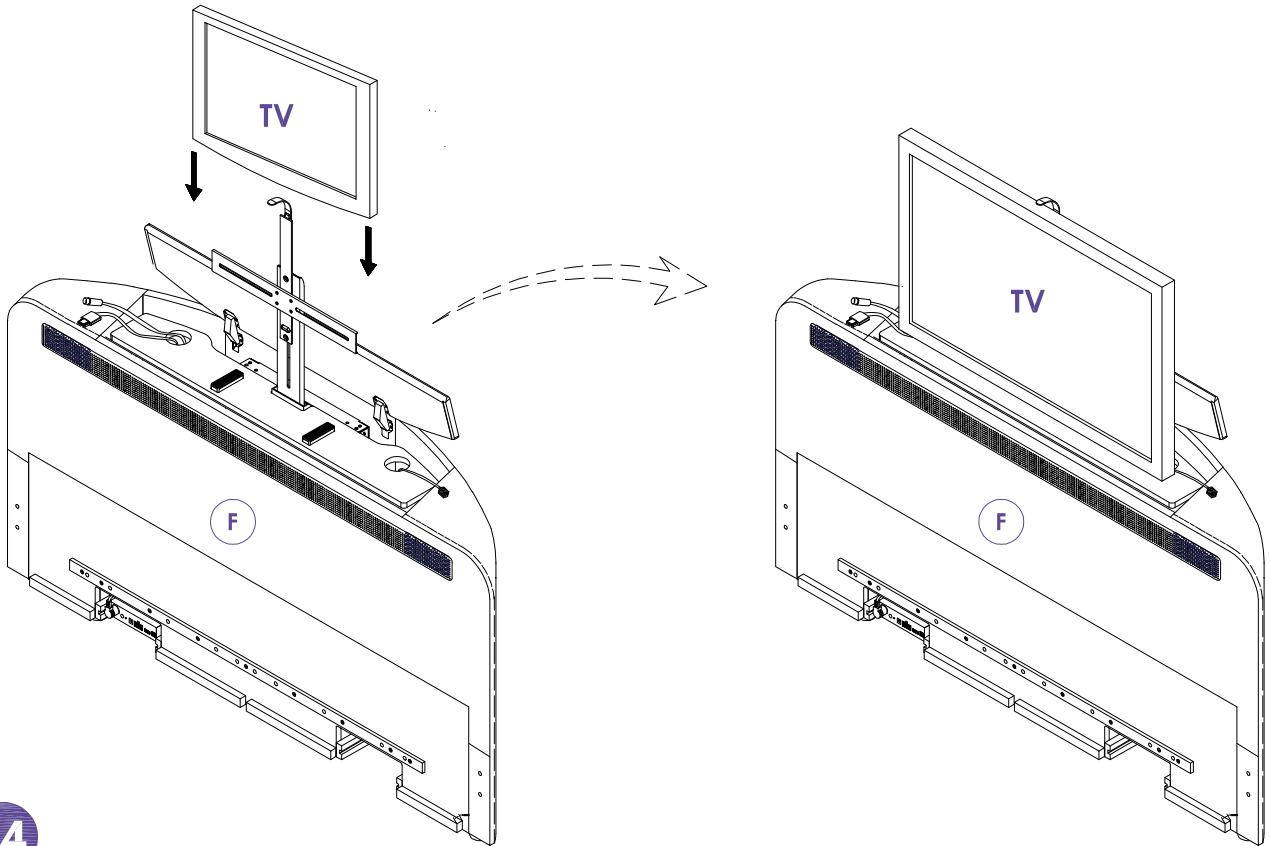
Note: TV's lower than the minimum height of 440mm, are not compatible with the TV mounting bracket system.



TV Install

13

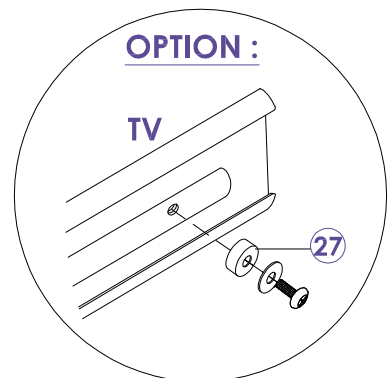
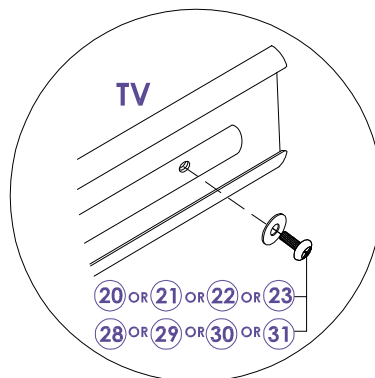
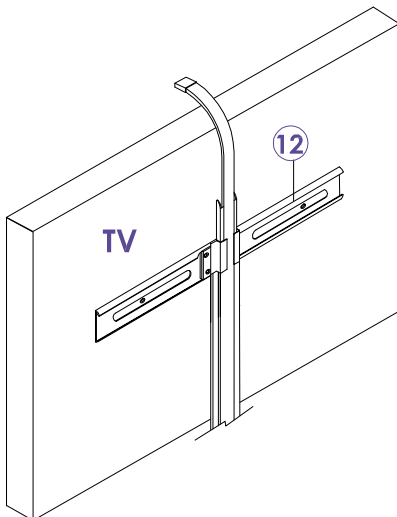
- You are now ready to install your TV.
- Raise the mechanism to it's highest position.
- While standing behind your television (on the outside end of the footboard).
- Carefully place the TV on top of the two rubber TV mounting pedestals - ensuring the Gooseneck arm is perfectly inline with the horizontal 'centre' of the TV.



14

• TV Flat Bracket (vesa bracket).

Please note : Item (20-23) & (28-31) screws have been supplied to fit most TV models. However sizes may differ depending on the TV model. If smaller or larger size screws are required these should be sourced from your local hardware store or TV specialist. Washers may also be required. Your retailer may also supply alternative fixings depending on the TV model supplied at the time.



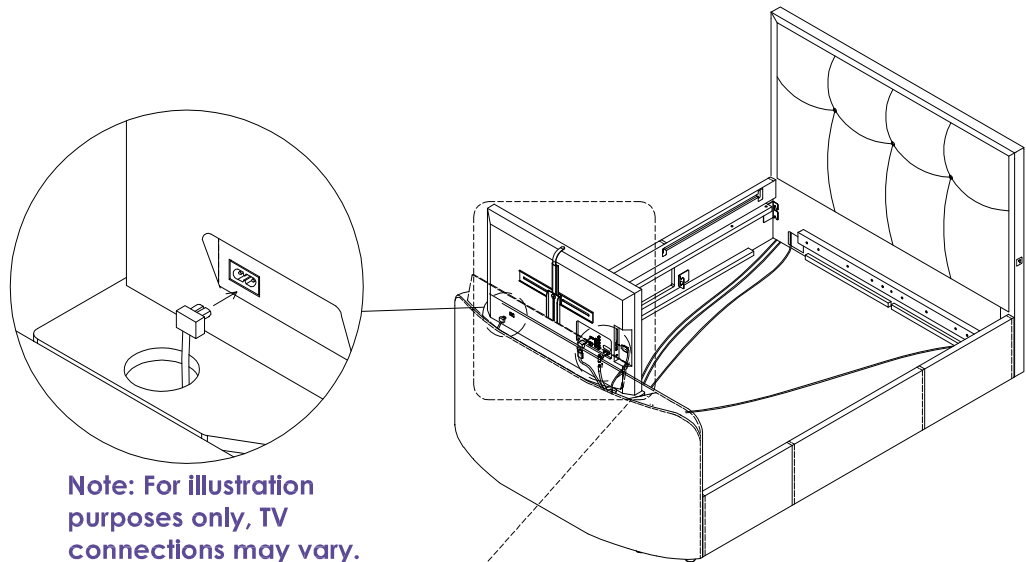
BOLT	20	21	22	23
BOLT	28	29	30	31
WITH	↓	↓	↓	↓
WASHER	24	24	25	26

In the event you find the screws are too long for the TV with bracket please use Plastic collar (27) if required.

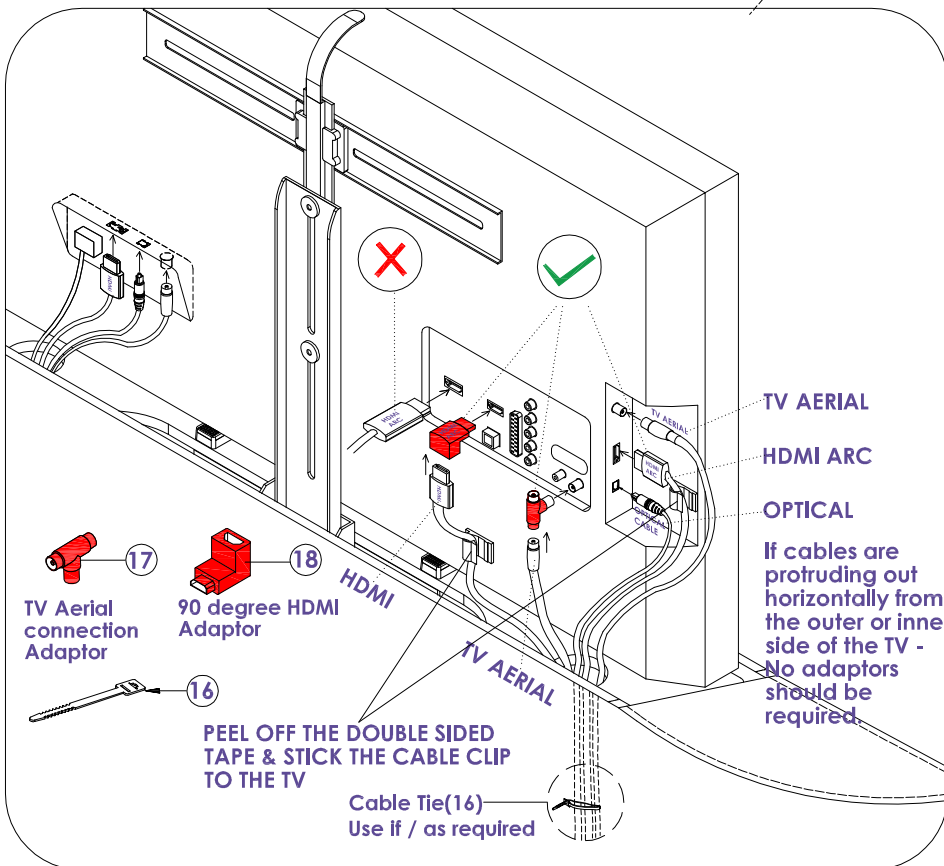
TV Cable Connection

15

- Install all the cable connection to the TV.



Note: For illustration purposes only, TV connections may vary.



Attention Please Note : Connecting Your HDMI ARC or Aerial Cable as shown in diagram (X) can seriously Damage Your TV sockets.

To reduce this possibility we have supplied 90 degree adaptors for both HDMI and Aerial connections.



This will reduce the cable protrusion and lessen the possibility of the cable colliding with the bed frame.

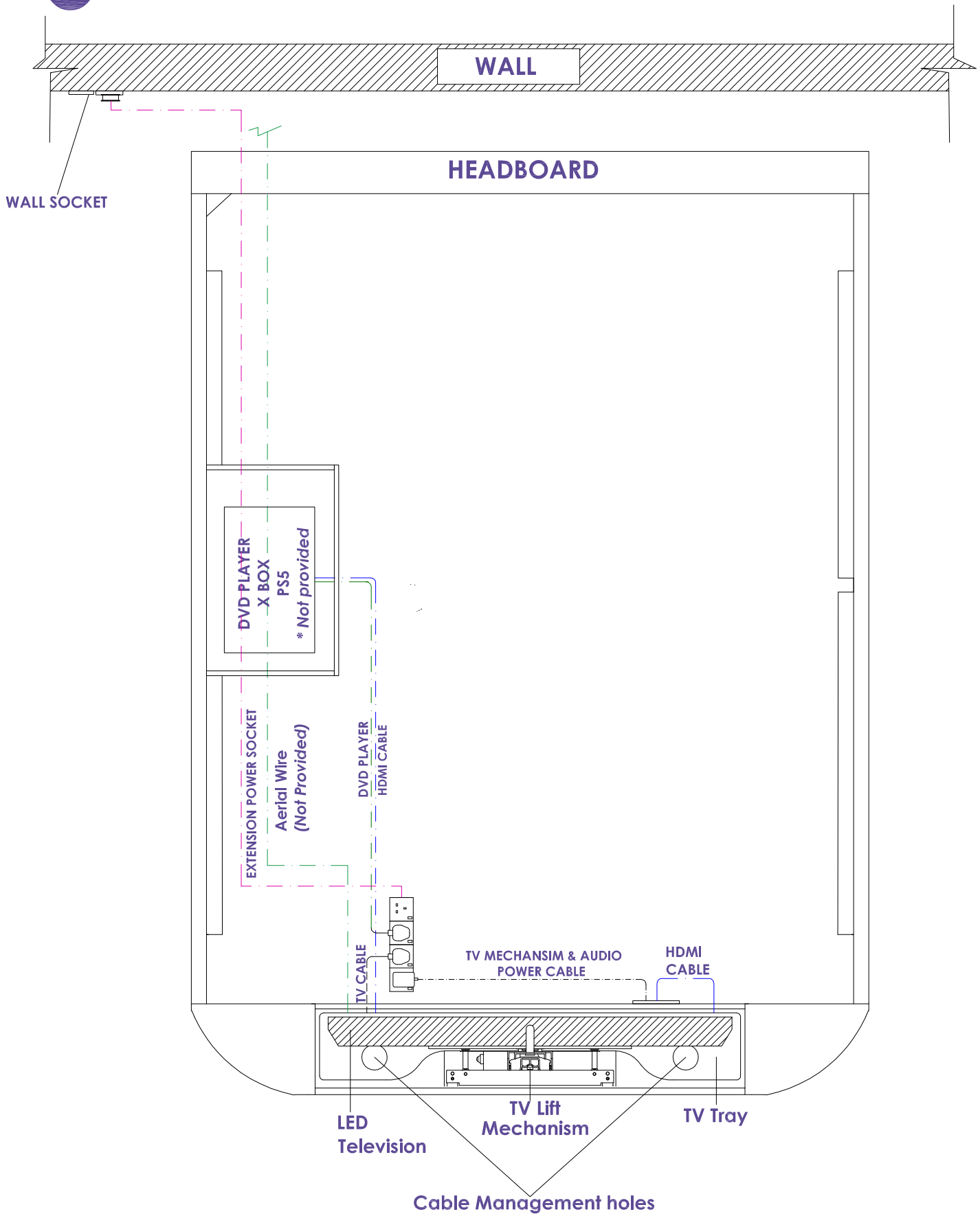
These can be found in the bed frame hardware pack located in Box 2 (foot end). Please refer to the diagram above for the correct fitting of cables. More detailed information can also be found on page 17 (step 11) of your assembly instructions.

The manufacturer or retailer will not accept responsibility for any damages arising from incorrect installation.

NOTE: The cables port for television, DVD, TV aerial etc may not be the same as shown above and vary depending on TV model.

Detail Connection Plan

16

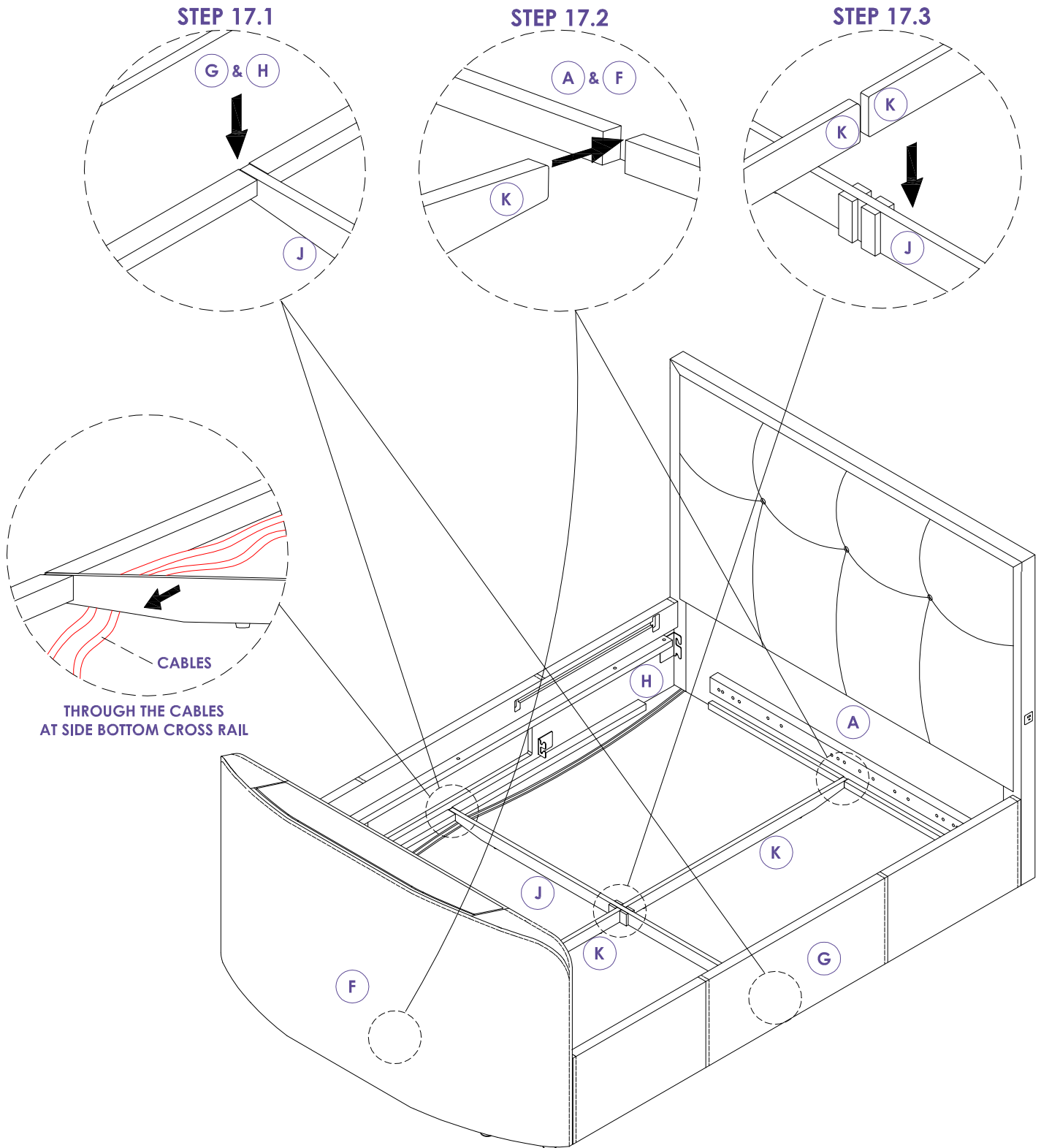


* The TV cable main supply can be put on either the left or right side depending on the TV port location. DO NOT PASS ANY CABLES ACROSS THE BACK OF THE MECHANISM.

Bottom Cross Rail Assembly

17

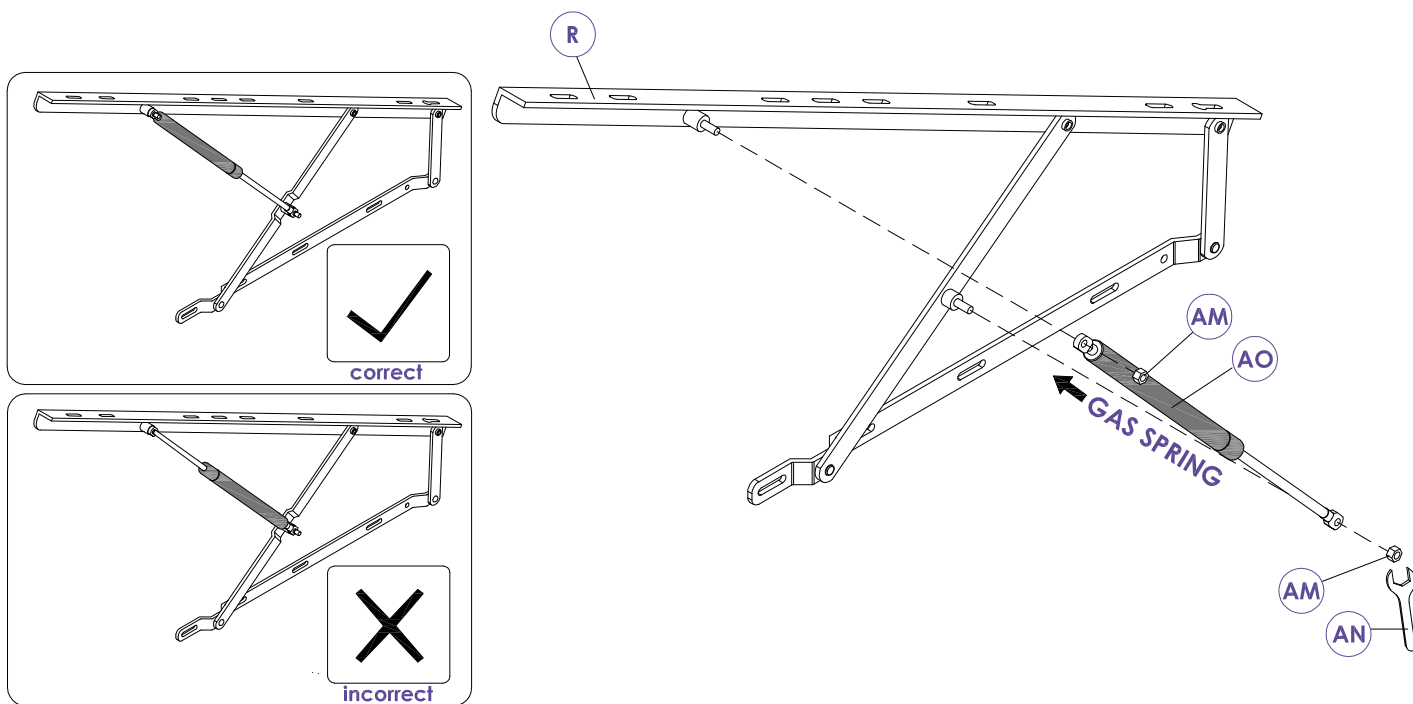
- Attach the bottom cross rail (long) (J) to the side rail (G) & (H) and the bottom cross rail (short) x 2pcs (K) to the headboard (A) & footboard (F) as shown (Step 17.1), (Step 17.2) & (Step 17.3).



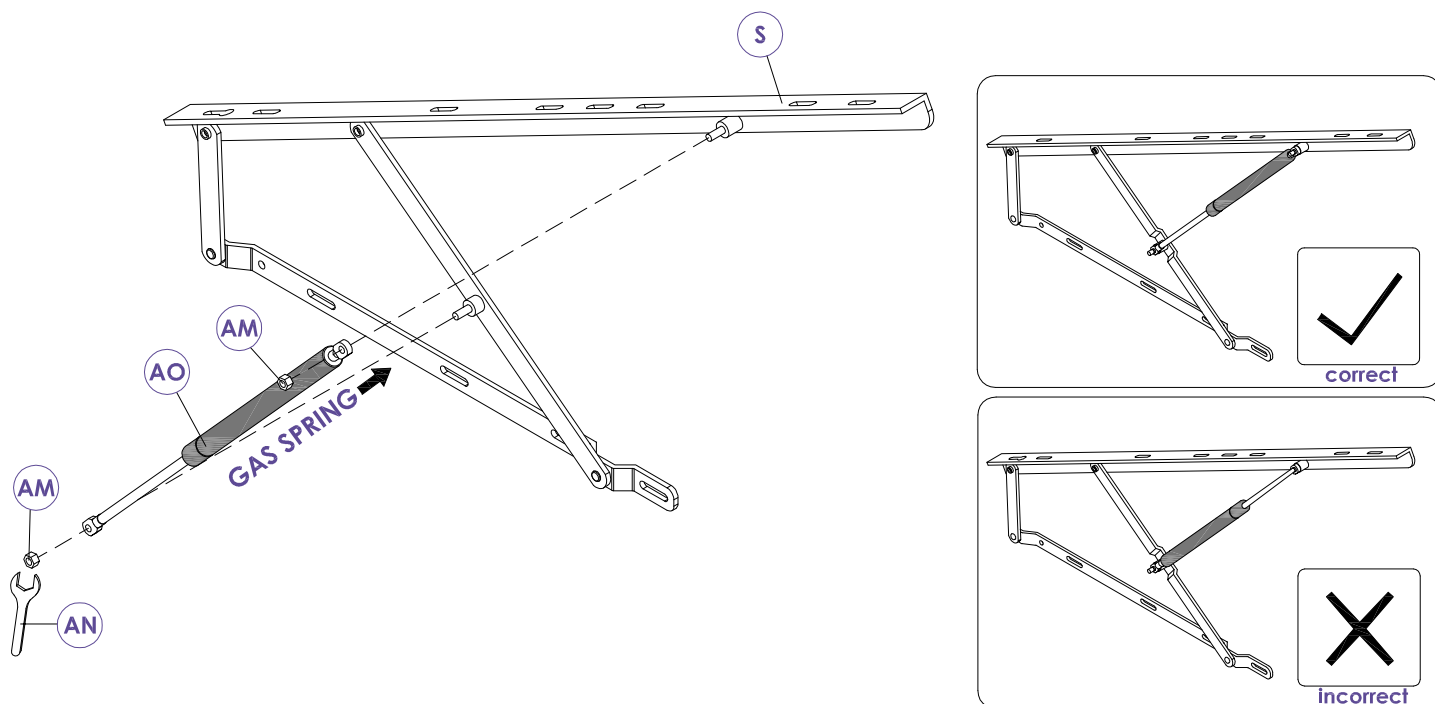
Attach The Gas Spring To The Lift Up Mechanism

18

- Attach the gas springs 'AO' to the lift up mechanism with nut 'AM' using spanner 'AN' as shown.

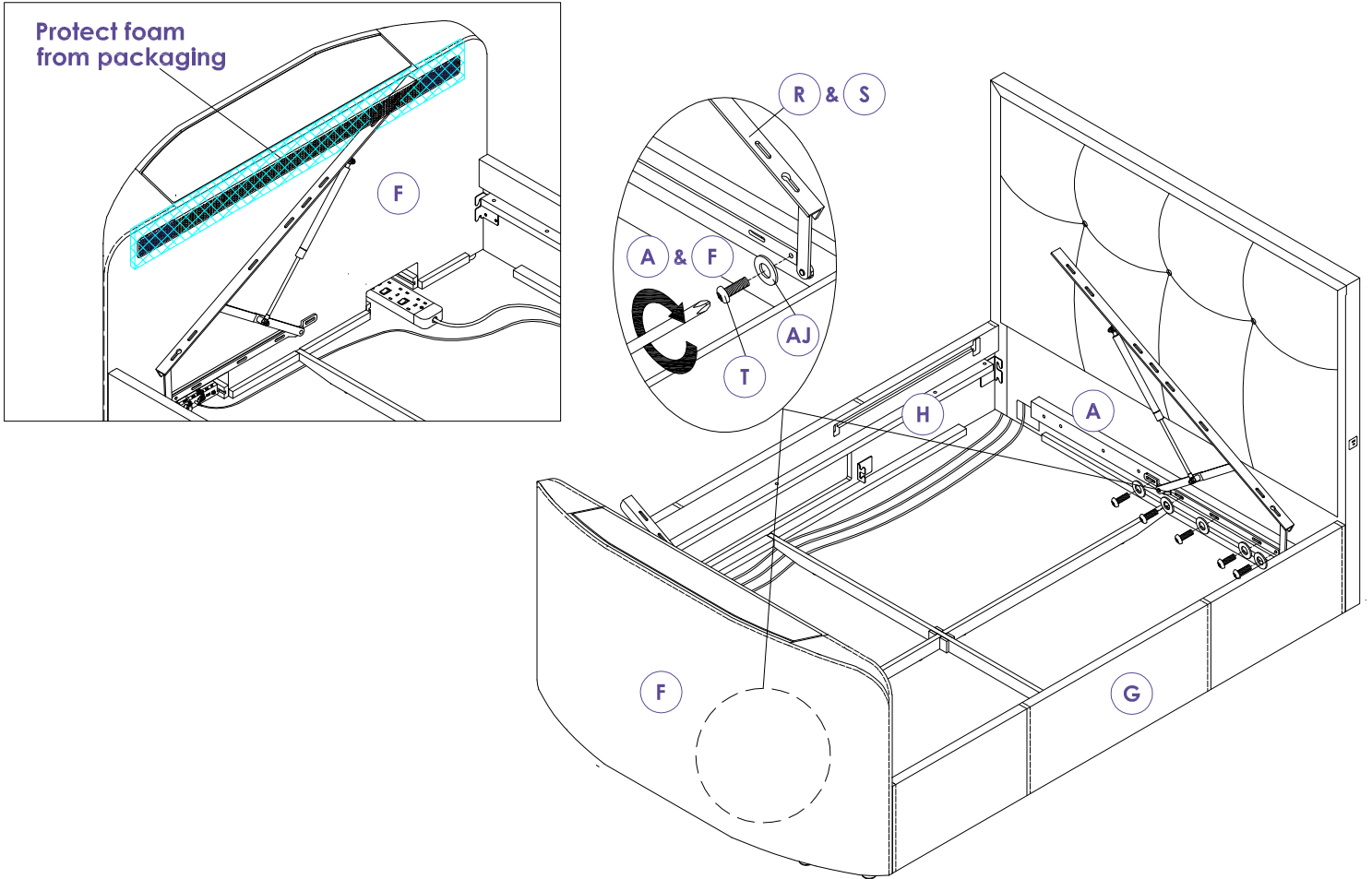


CAUTION- WHEN FITTING THIS LIFT UP MECHANISM TO FOOT-END OF THE BED FRAME. PLEASE TAKE NOTE AND CAUTION TO AVOID DAMAGING THE FOOT-END SPEAKER COVER!

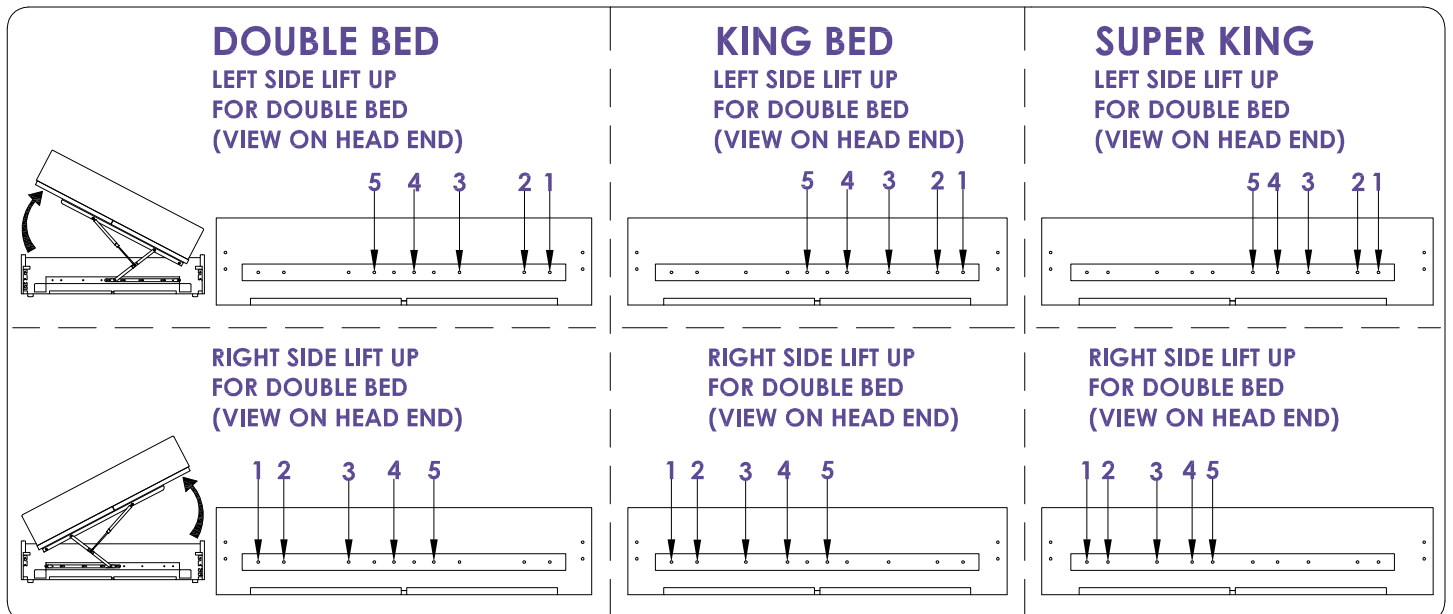


FULLY TIGHTEN ALL NUTS AFTER ATTACHING THE PISTONS.

- Before assembly please make sure the opening side is face on Compartment 'Part H' side rail.
- Note:- Please reuse the sound bar protect foam from packaging to protect the sound bar when assemble the side lift mechanism to the foot end.
- Attach the lift up mechanism to the head end and foot end with flat washers and bolts using screw driver provided.
- Repeat the action on the another side.

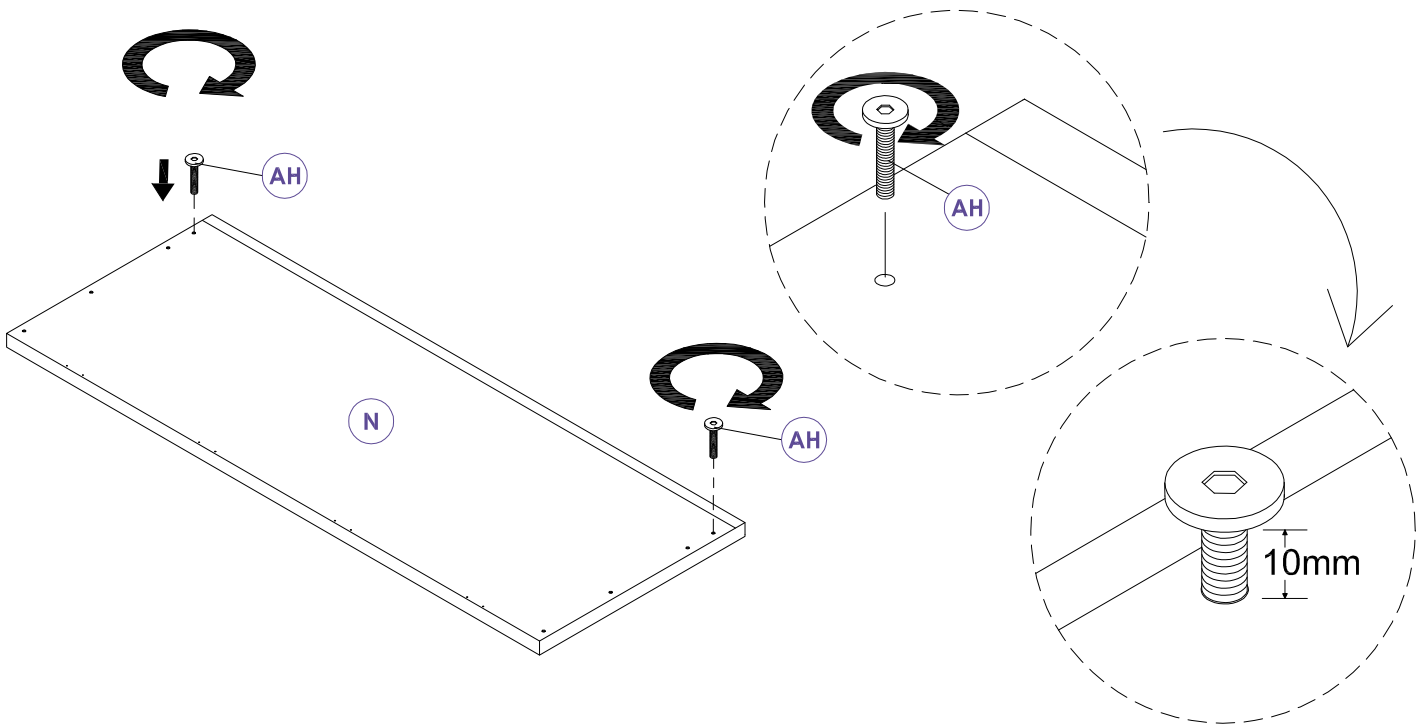


Holes Detail For Fixing Lift Up Mechanism



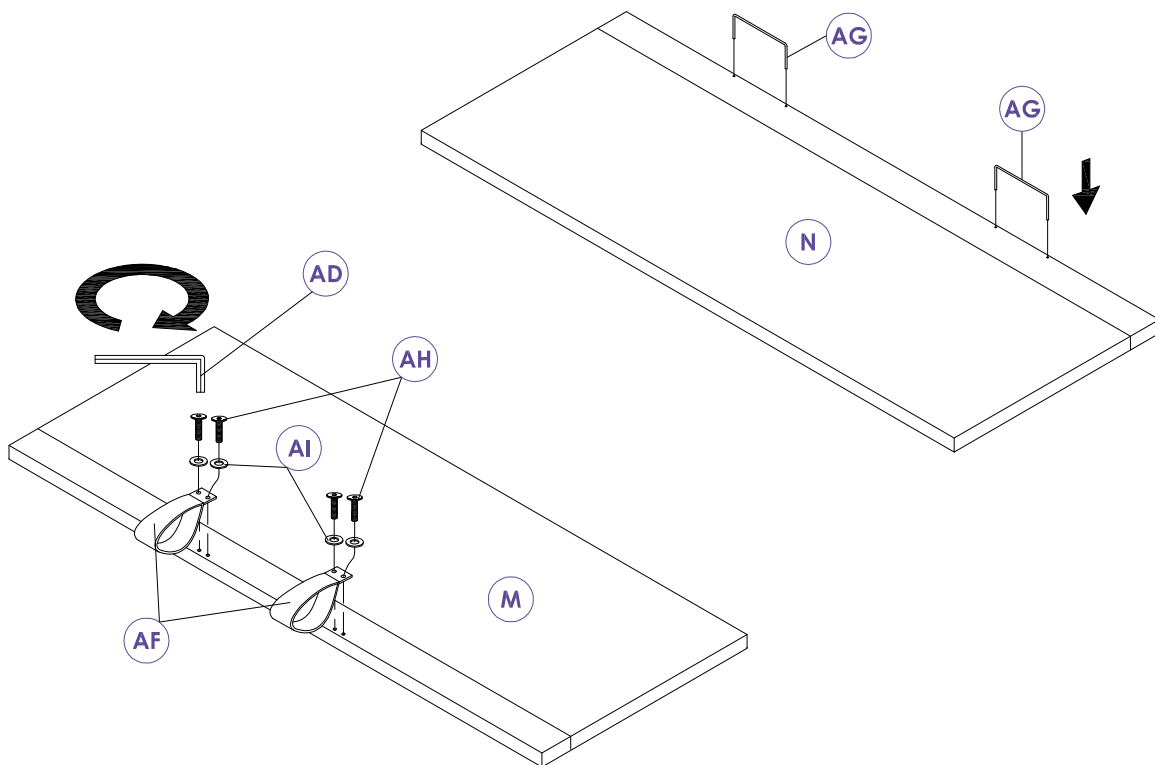
20

- Attach the bolts (AH) to the first hole under back lift base 'N', leave around 10mm the screw to attach at the lift mechanism 'R' & 'S' as shown.



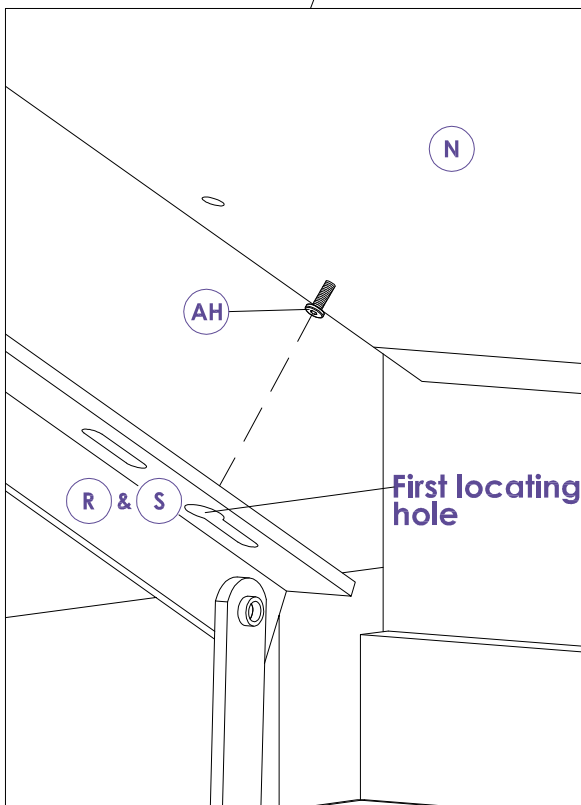
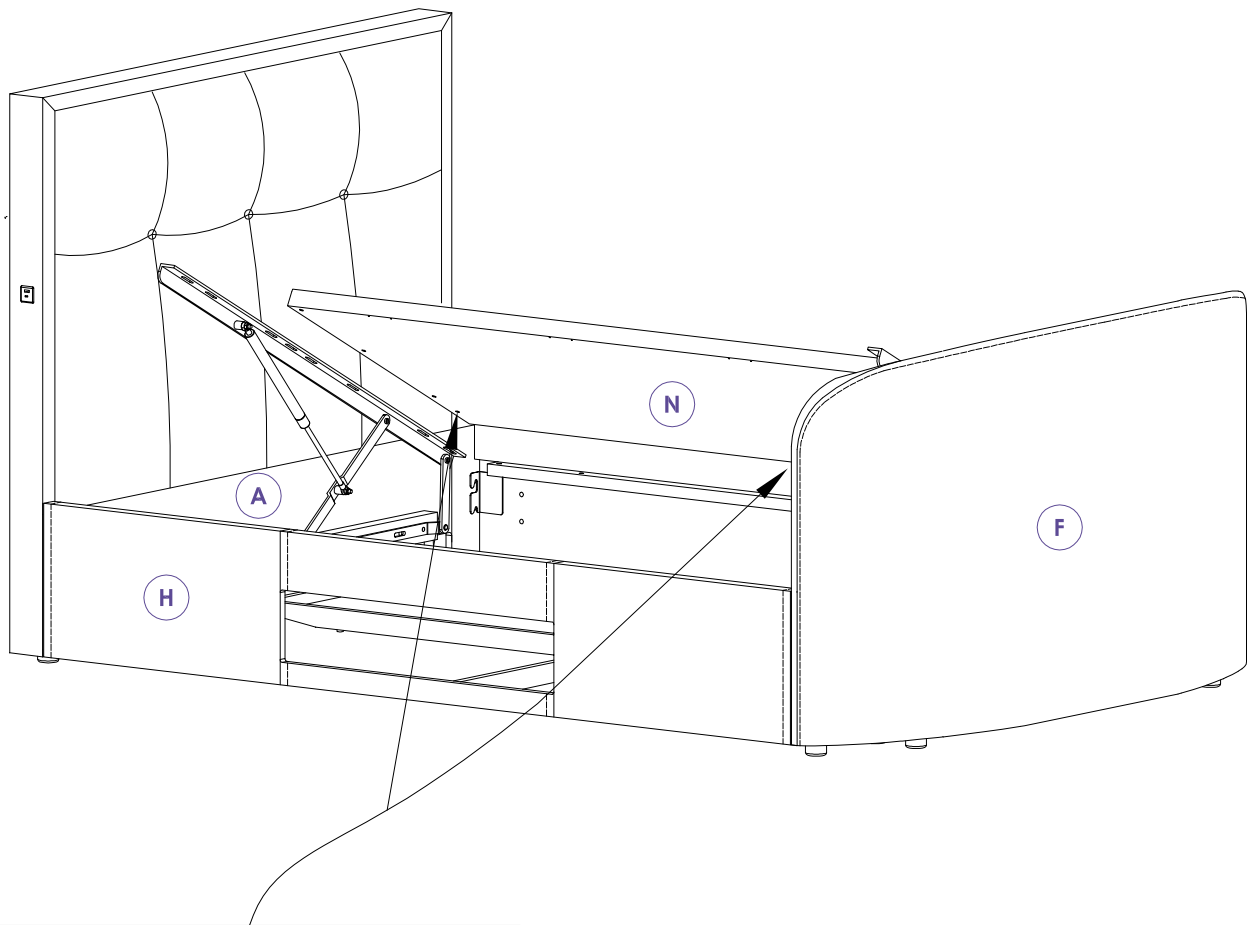
21

- Attach the strap handle 'AF' to the front lift base 'M' with flat washers 'AI' and bolts 'AH' using Allen key 'AD' provided.
- Attach the mattress support rail 'AG' to the back lift base 'N' as shown.

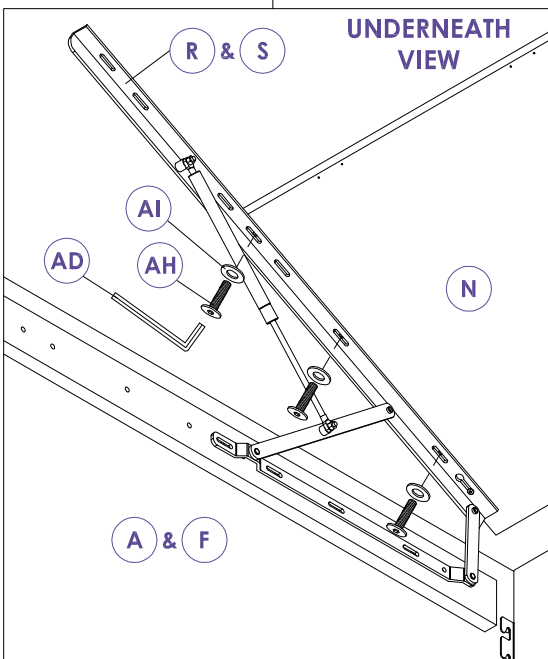
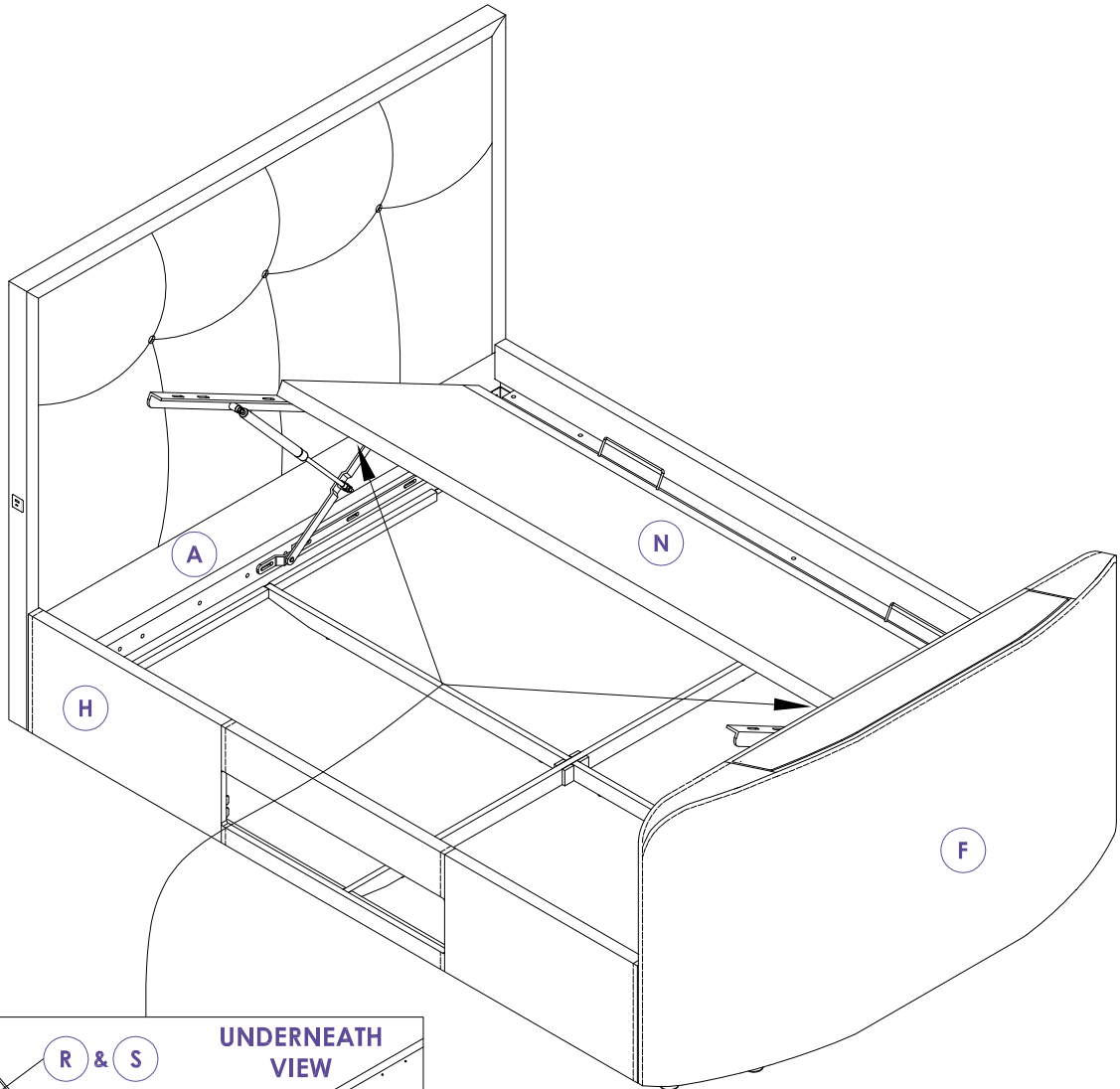


22

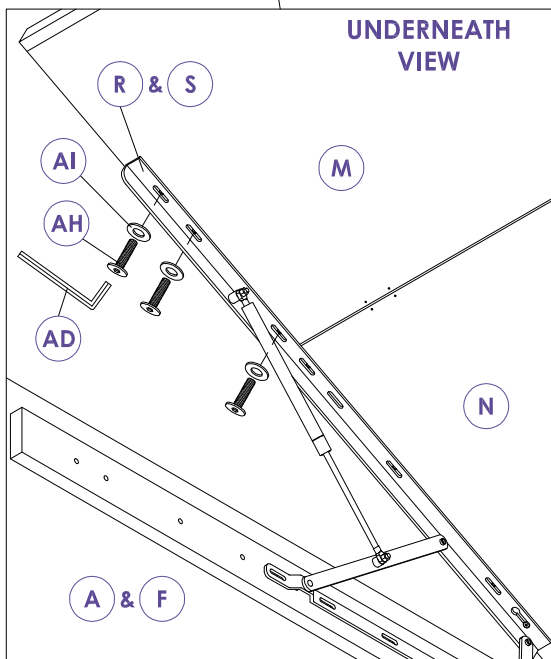
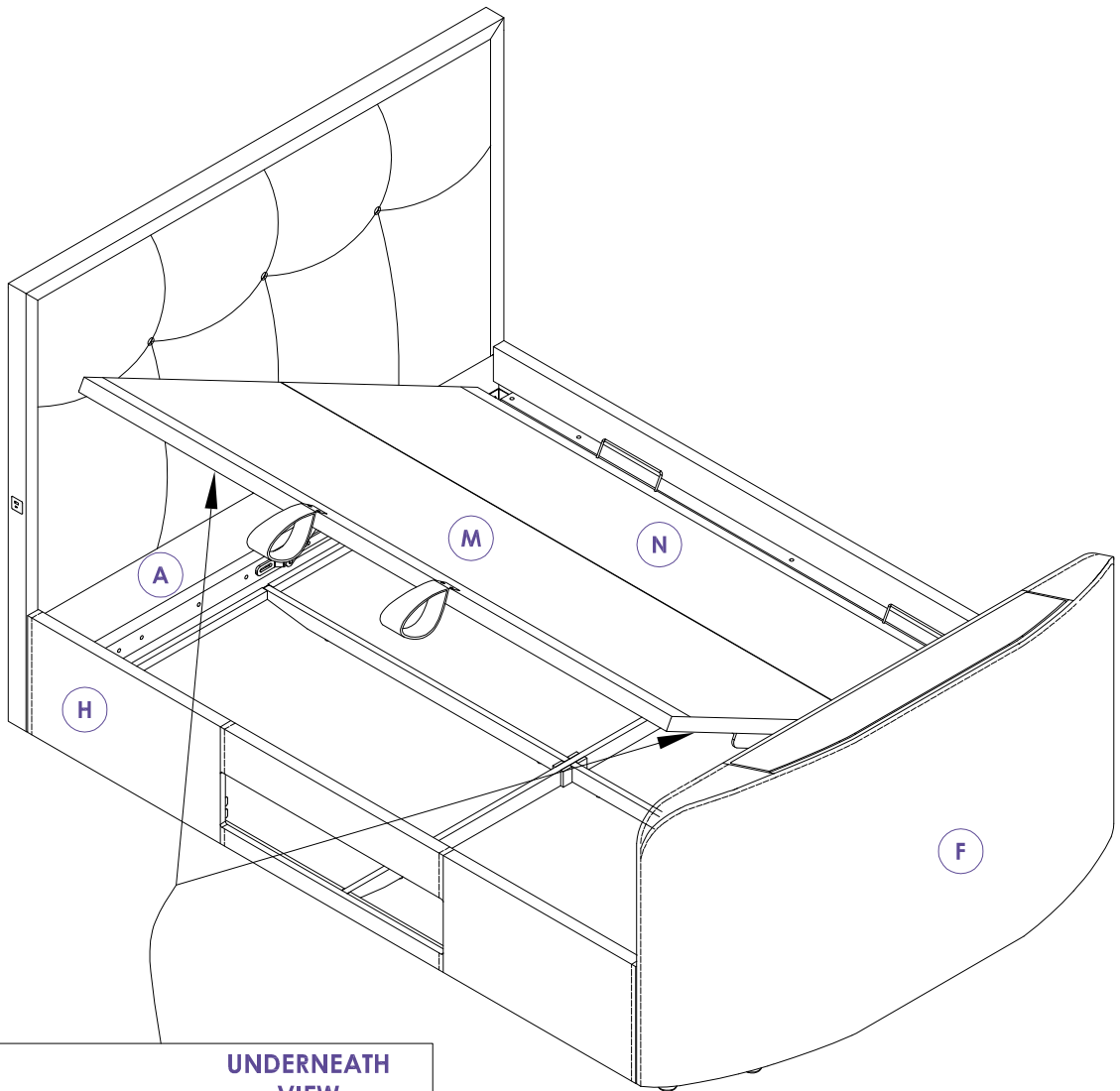
- First put the rear lift base 'N' on top of lift up mechanism 'R' and 'S' with the provided bolts (AH) as per step 20 to the first hole for safety and to prevent the lift base from dropping down.



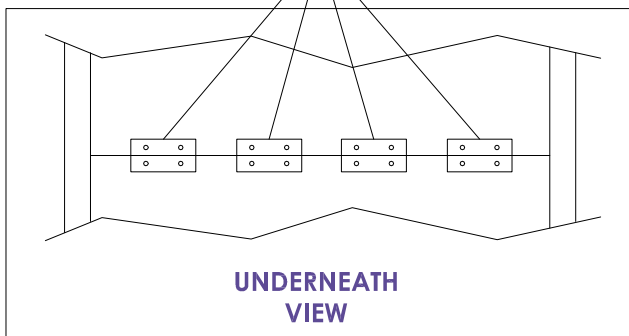
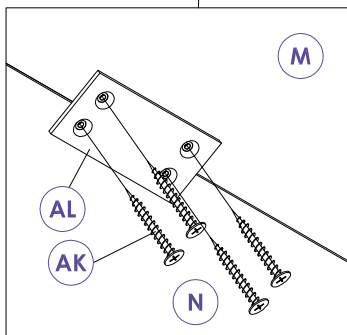
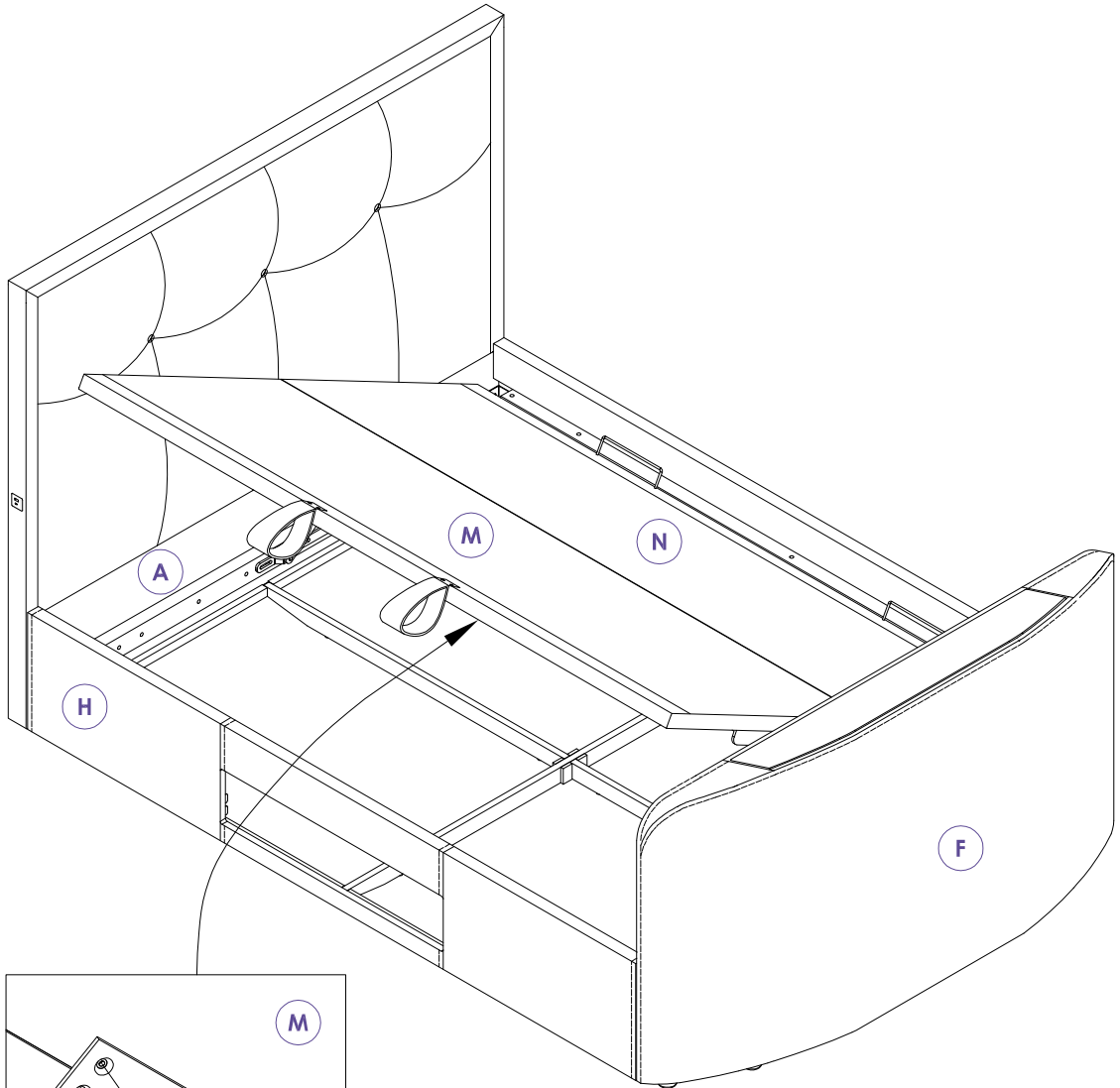
- Use the bolts (AH) and flat washers (AI) provided to fix the rear lift base 'N' with lift up mechanism 'R' and 'S' as shown.
- Do not tighten bolts (AH) at this stage, this allows you to align the two pieced lift base 'N' & 'M' for the next step.



- Put the front lift base 'M' on the top of lift up mechanism 'R' and 'S' then use the bolts (AH) and flat washers (AI) to fix the front lift base 'M' with lift up mechanism 'R' and 'S' as shown.
- Use Allen key (AD) fully tighten all the bolts (AH) as shown.

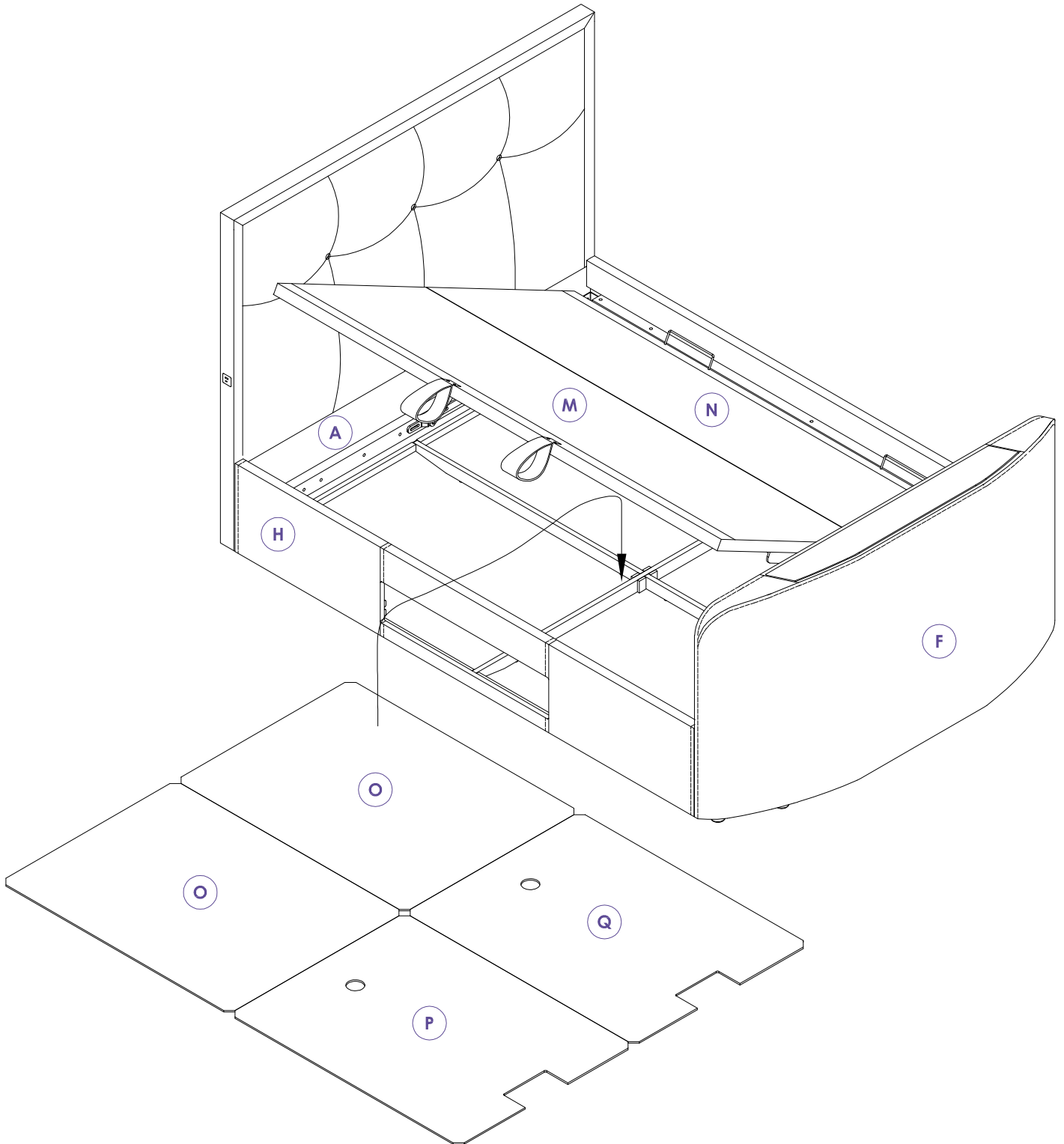


- Attach the metal plate (AL) to the underneath of lift base 'M' and 'N', fix with screw (AK) using screw driver (AE) provided as shown.



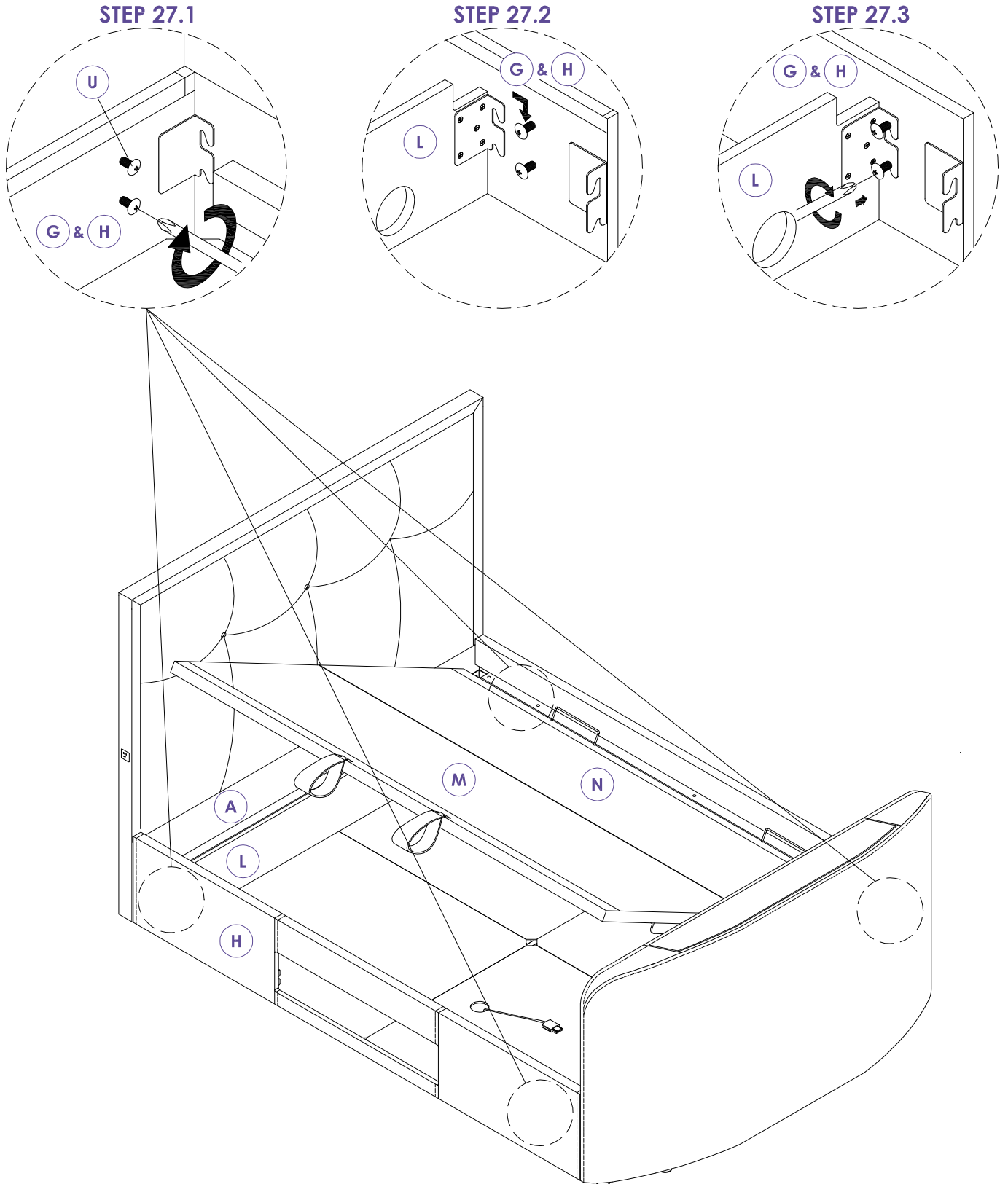
26

- Put the base panel on the bottom cross bar as shown.
- The base panel 'O' put near headboard, base panel 'P' & base panel 'Q' put near footboard.
- Make sure all the cables are place under the base panel.

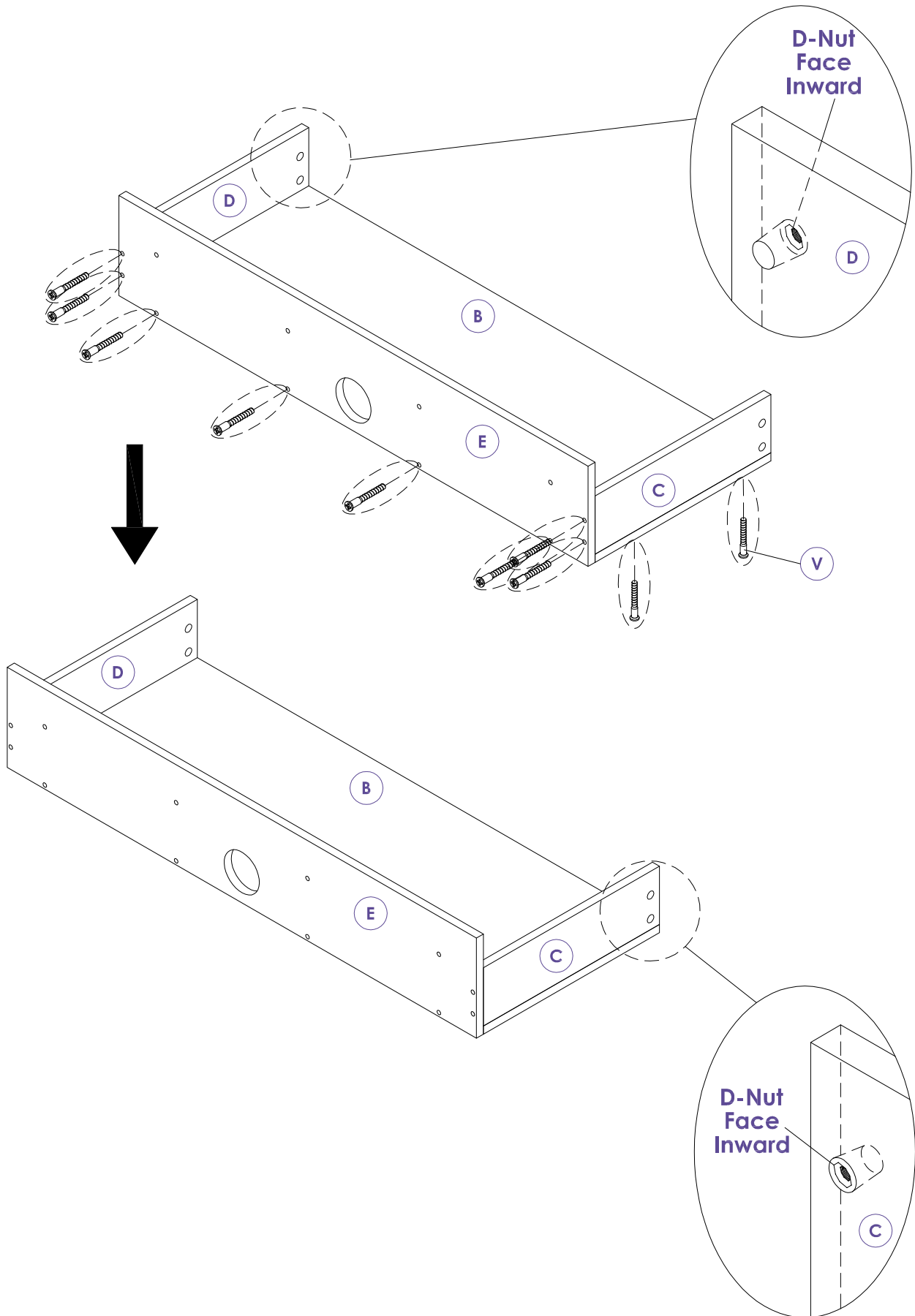


27

- Attach the bolts (U) to the side rail as shown. (Note: only attach the bolts Do **NOT** tighten them.)
- Hook the centre rail 'L' over the bolts (U) as shown.
- Repeat the action on the opposite side.
- Tighten the centre rail 'L'.

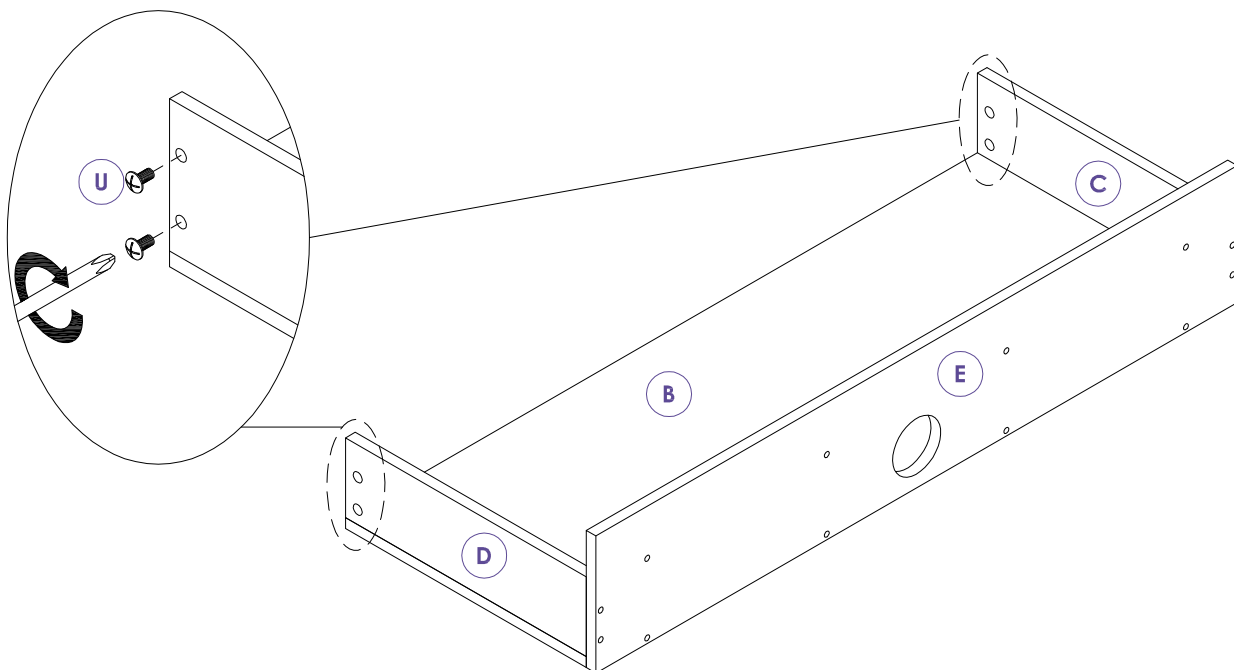


- Attach "Media Compartment" rear and side panels to "Media Compartment" base panel as shown.



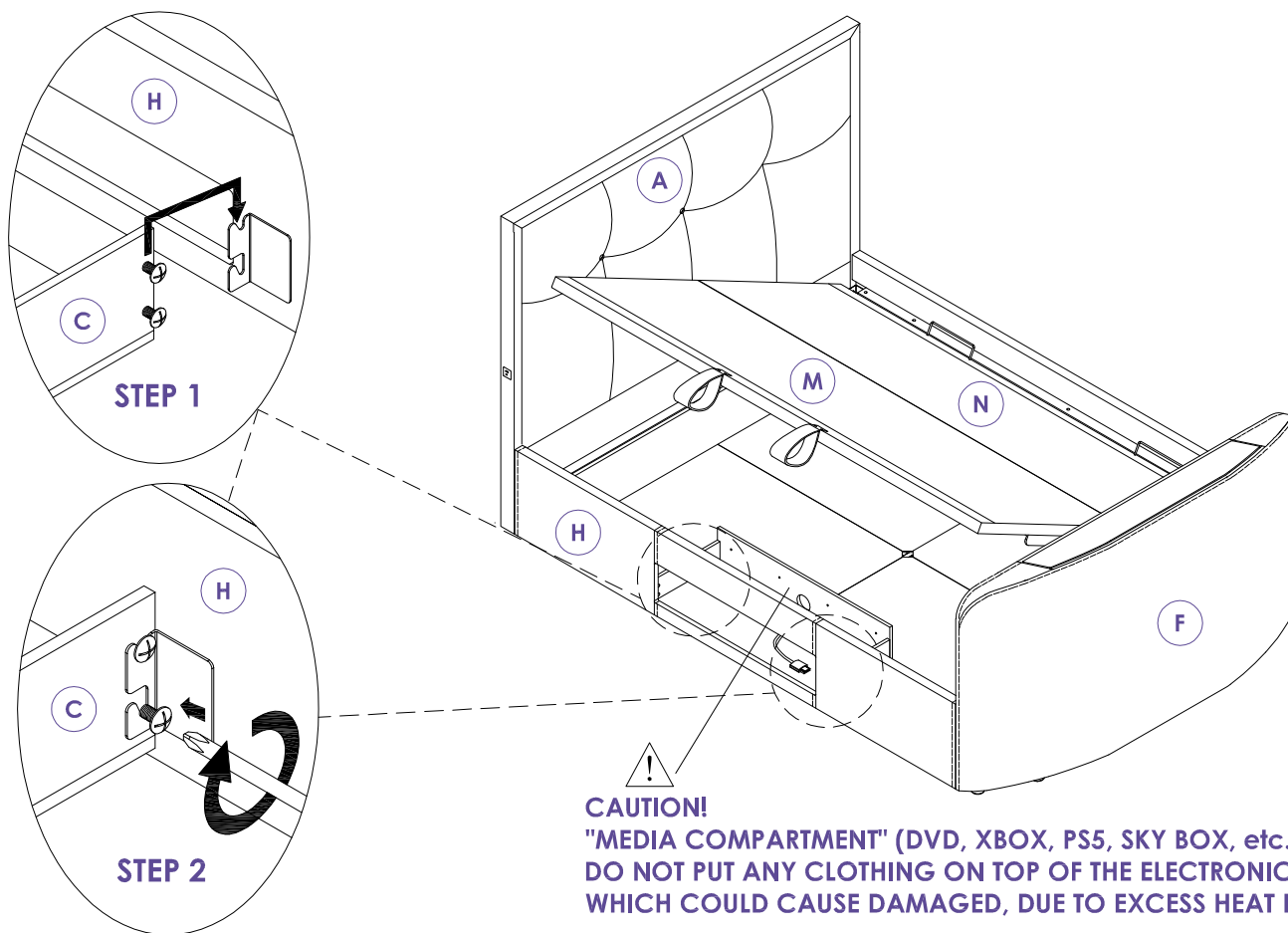
29

- Attach the bolts to both side of "Media Compartment" side panels as shown.

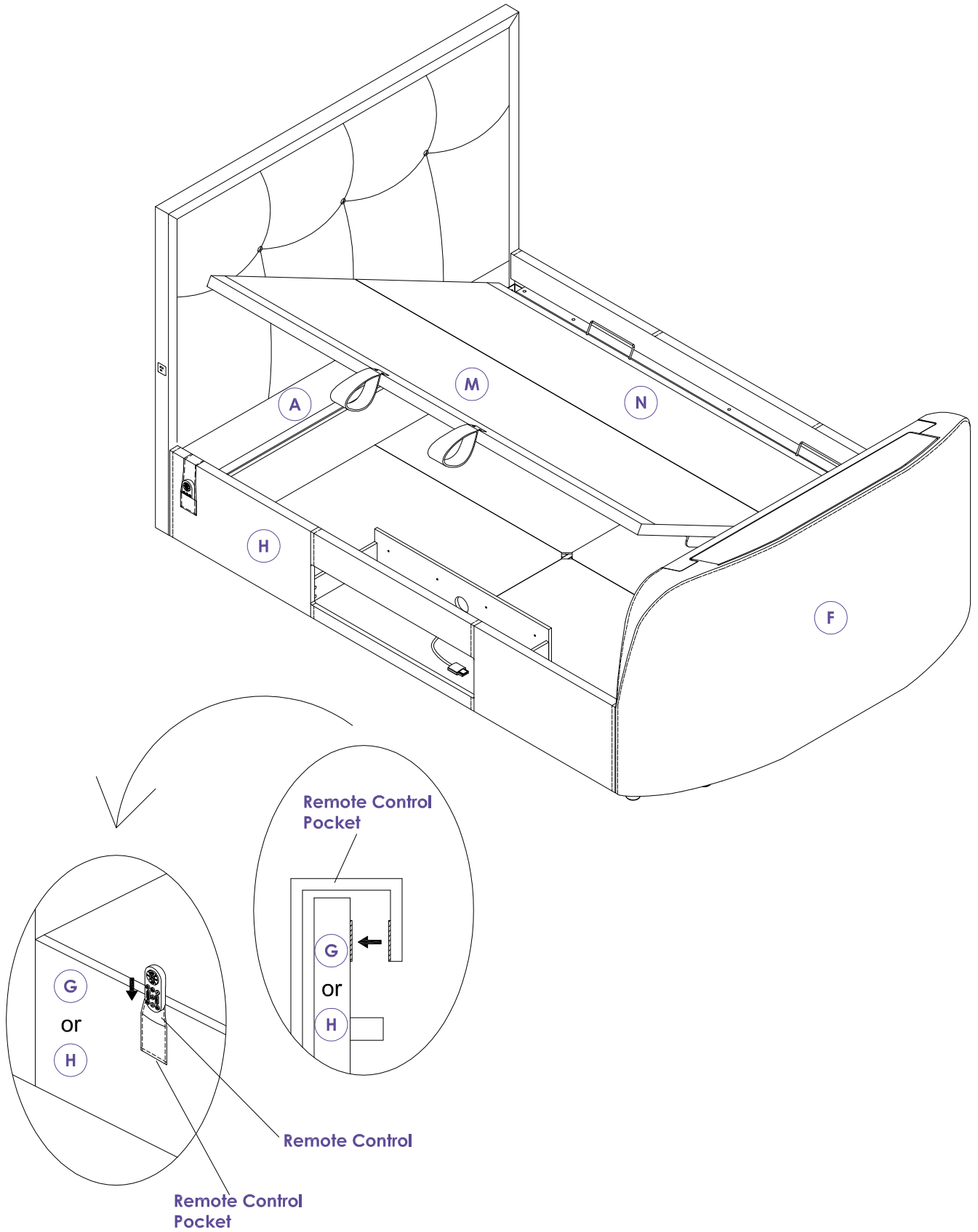


30

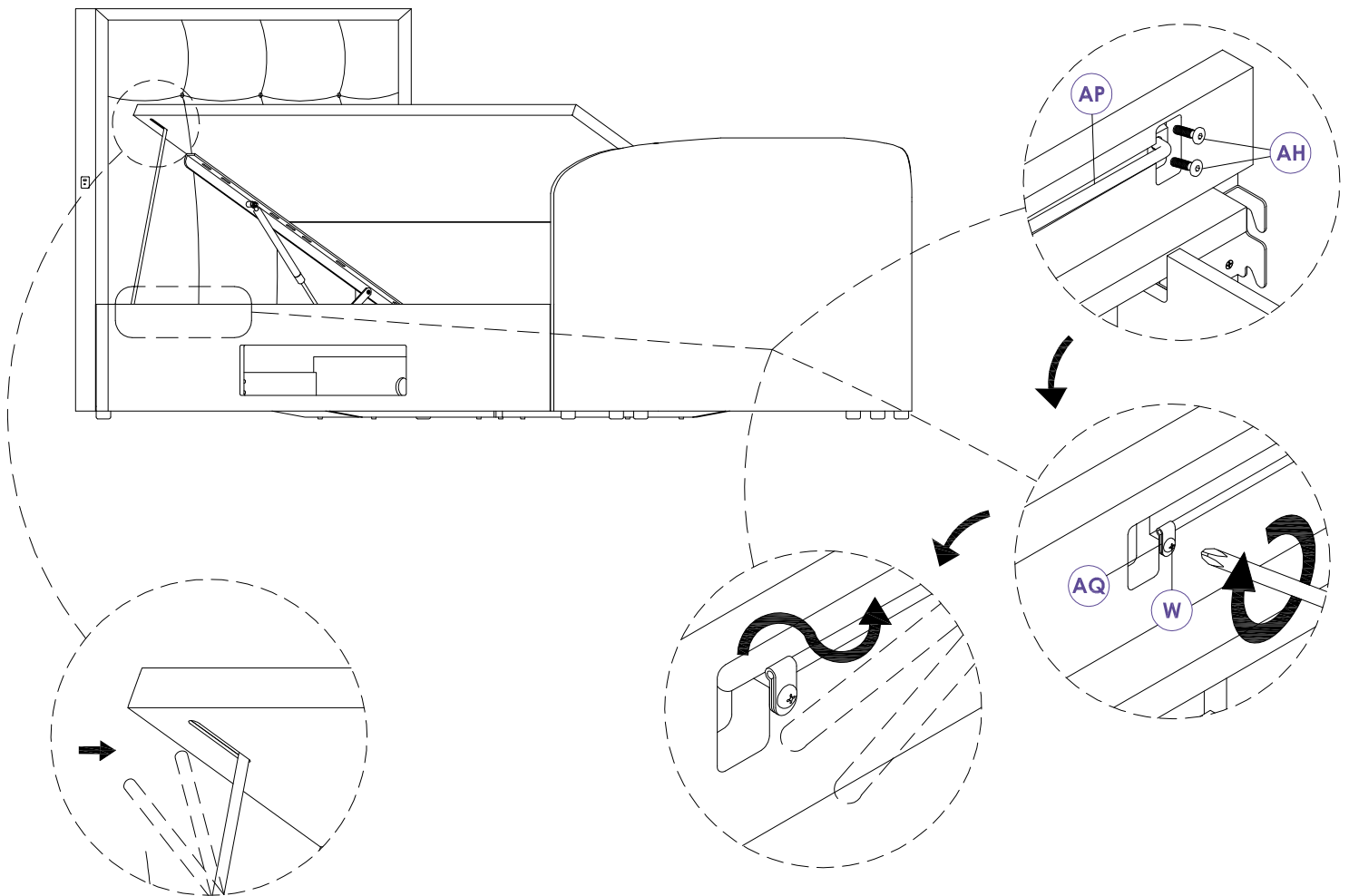
- Attach the bolts to both side of "Media Compartment" side panels as shown.



- Attach remote control pocket to side rail.



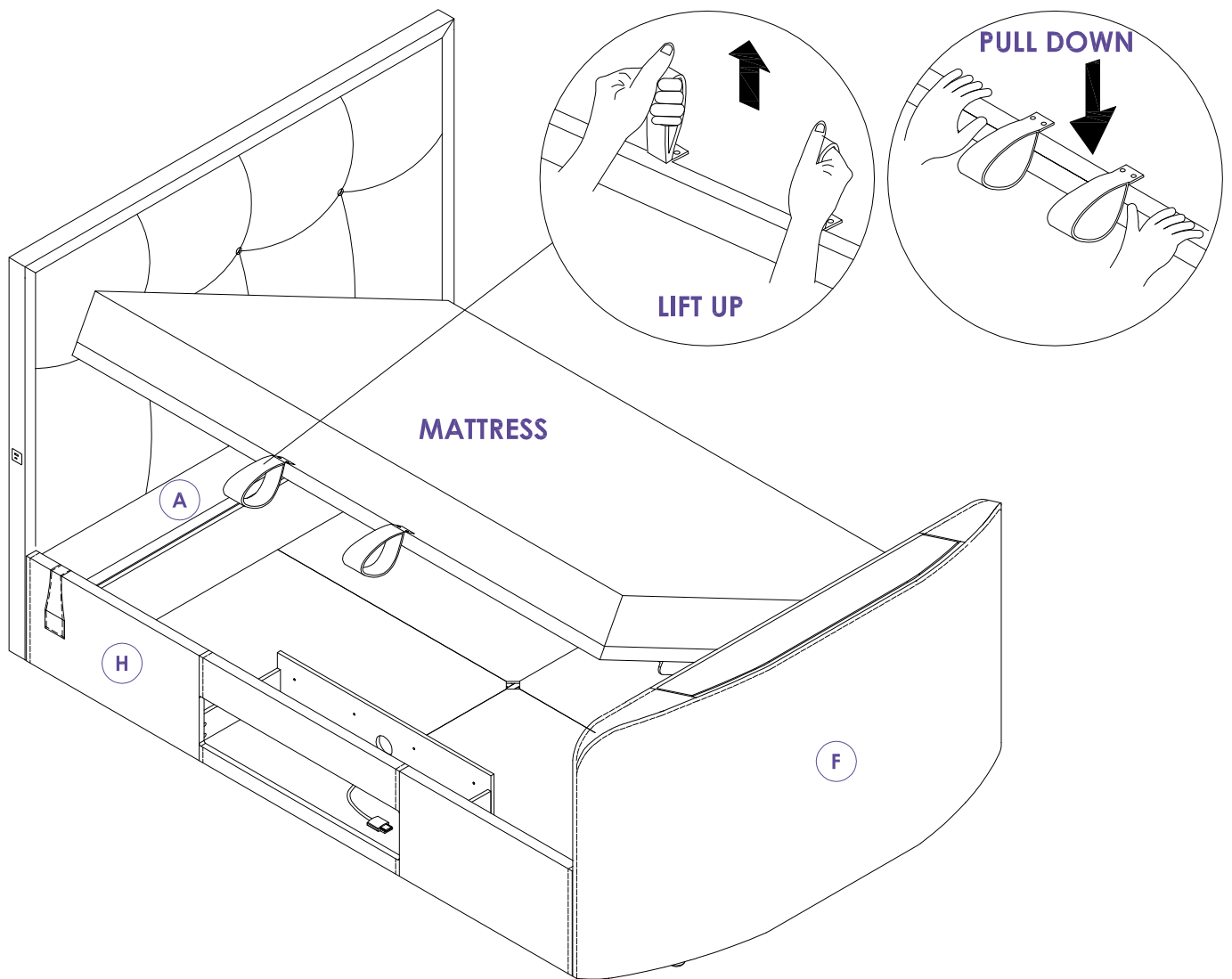
- Fix the Ottoman Support Bar (AP) with bolt (AH) and Cable Clip (AQ) with bolt (W) to the siderail as shown.
- Tighten the bolts.



HOW TO USE

1. WHEN ENGAGING THE OTTOMAN SUPPORT BAR, ENSURE THE LIFT BASE IS RAISED TO THE MAXIMUM OPENING EXTENSION.
2. LOCATE THE OTTOMAN SUPPORT BAR FROM UNDER THE LIFT BASE AND GUIDE THE SUPPORT BAR INTO THE BAR SLOT FIXED TO THE BED FRAME.
3. BEFORE CLOSE THE LIFT UP BASE, CAREFULLY HOLD THE LIFT UP BASE AND GUIDE THE SUPPORT BAR BACK INTO THE SLOT AS SHOWN.
4. SLOWLY CLOSE THE LIFT UP BASE.

- Make sure the bed all side is square before you closing the lift base.
- The mattress must be fitted to the base.
- Do not operate the lift up mechanism without the mattress fitted to the base.



- A. This Lift Mechanism provides assistance with the lift of the mattress fitted to the base - it does not lift the mattress for you. The system has been designed to effectively lift the base system fitted with a variety of mattress weights and combinations of depth. The combination of mattress weight and depth determines the degree of assistance provided by the mechanism.
- B. Following installation of the mechanism lift / pull the base up and down a few times to free off the system - the gas cylinders fitted to the system may be stiff when first used or if the system has not been operated for a period of time. The mattress must be fitted to the base.
- C. Use the strap handle to lift up the mattress base using two hands - Pull the mattress base down using two hands equally spaced from the centre of the mattress base. DO NOT pull down on one side of the base only as this likely to damage the base system with potential failure of the mattress base system and lift mechanism. Do not operate the lift up mechanism without mattress fitted to the base.

CAUTION :

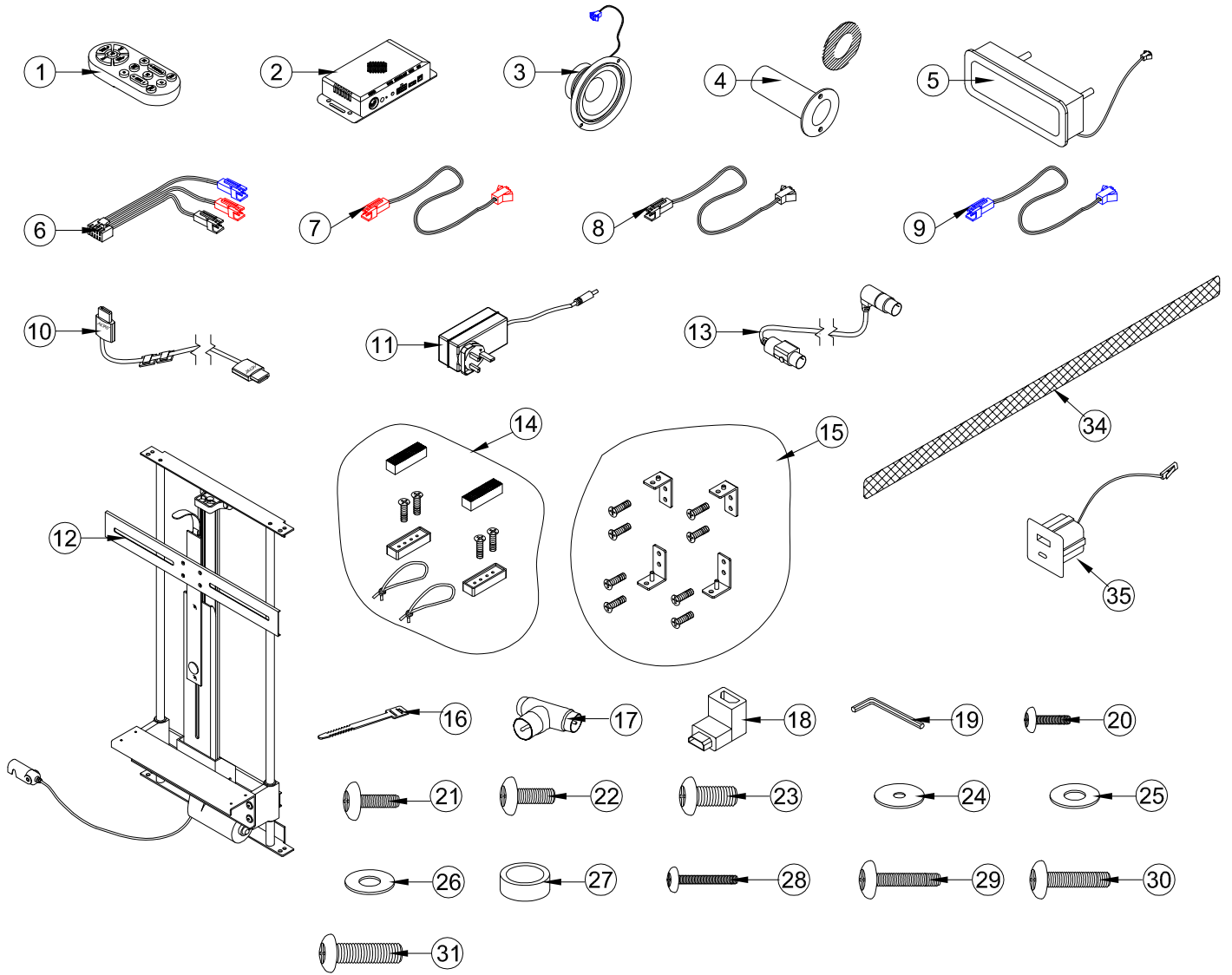
- Do not allow children to operate the lift Mechanism.
- Do not allow children near the lift base when operating the Mechanism.
- Do not allow children in the area of the internal storage base.
- Keep hands clear of the mechanism when operating the base system.
- Do not stand inside the bed / on the internal storage base.
- Do not overload the internal storage base.

TROUBLE SHOOTING

When you encounter problems with installation or use, please refer to the table below to find the possible causes of the problems. Some simple checks or minor adjustments can help to fix the problem and restore normal operation. When the problem cannot be solved, please contact the manufacturer for after-sales service.

FAQ	SOLUTIONS
2.1 Amplifier cannot be turn on	<ol style="list-style-type: none"> 1) Please confirm whether the power indicator of amplifier is on. If the light is not on, please check the power adapter or power cable is plugged in correctly. 2) Check if the problem is solved by replacing the power adapter or amplifier with a new one.
Cannot find Bluetooth device or cannot be paired with Bluetooth device	<ol style="list-style-type: none"> 1) Please make sure that the mobile phone is within 10 meters from the amplifier, and turn off all other mobile phones that have paired with the amplifier, re-search for Bluetooth device "BSSB 2.1S" and re-connect again. 2) Turn off the main AC power for more than 1 minutes and restart.
No sound is heard for Bluetooth mode	<ol style="list-style-type: none"> 1) Check if the audio device is paired successfully with amplifier. 2) Check if the audio device is muted or turn up the volume to try again.
No sound is heard for HDMI mode	<ol style="list-style-type: none"> 1) Check whether the TV has HDMI ARC audio return function. 2) Confirm if the HDMI cable is correctly inserted into the corresponding HDMI ARC port of the TV. 3) Check HDMI setting options on the TV and set the audio decoding format to AUTO or PCM format. 4) Please confirm if the audio source device / TV is turned on and playing normally. Check if the amplifier is muted or the volume is turned down to the lowest level. Please turn up the volume and try again. 5) Turn off the main AC power (Turn off TV and amplifier) for more than 1 minutes and restart all device.
No sound is heard for OPTICAL mode	<ol style="list-style-type: none"> 1) Check whether the Optical cable is properly connected to the TV. 2) Confirm whether the Optical cable is correctly inserted into the corresponding port of the TV. 3) Please confirm whether the volume of the audio source / TV is turned on and playing normally. Check if the amplifier is muted or the volume is turned down to the lowest level. Please turn up the volume and try again.
Remote buttons not responding	<ol style="list-style-type: none"> 1) There may be interference of the same frequency, please use the remote with close distance to the amplifier. 2) The battery of the remote is low, please use the remote with close distance to the amplifier or replace the battery of the remote. 3) Refer to the remote control synchronized setting to re-synchronize and try again.
TV Lift does not operate	<ol style="list-style-type: none"> 1) Check the connection Amplifier controller to the TV lift extension cable. 2) Check the connection TV lift extension cable to the TV mechanism cable. 3) Turn off the main AC power for more than 1 minutes and restart.

G5 TV LIFT MECHANISM with 2.1 AUDIO OPTI-SERVE SPARE PARTS LIST



ITEM NO.	PART DESCRIPTION	IV CODES
1	MMG3.2.1 Audio Plastic Button Remote Control RF433-ODIN	IV 000082
2	MMG3.2.1 Amplifier Controller (HDMI)-ODIN	IV 000083
3	MMG3.2.1 Audio 4 Inch 4ohm ~ 20 Watt woofer - Blue Connected-ODIN	IV 000084
4	MMG3.2.1 Audio 4 Inch 4ohm ~ 20 Watt woofer - Woofer Tube-ODIN	IV 000042
5	MMG3.2.1 Audio Rectangular Slim Left Right Speaker-10W-ODIN	IV 000085
6	MMG3.2.1 Speaker - woofer cable-ODIN	IV 000086
7	MMG3.2.1 Audio - Left Rectangular Slim Speaker 10W - Red Connected-ODIN	IV 000087
8	MMG3.2.1 Audio - Right Rectangular Slim Speaker 10W - Red Connected-ODIN	IV 000088
9	MMG3.2.1 Audio - woofer 20W extension cable - Blue Connected-ODIN	IV 000095
10	MMG3.2.1 Audio HDMI 2 meter cable with cable clip x 2pcs-ODIN	IV 000089
11	MMG3.2.1 AC/DC Power Adapter 24V-2.1A UK-ODIN	IV 000090
12	TVG5-TV lift up mechanism-ODIN	IV 000091
13	TVG5-TV lift Extension cable-ODIN	IV 000096
14	TV block (2pcs), screw M4 x 35mm (4pcs), block rubber cover (2pcs), cable management bungee cable (2pcs) (pre-fixed)	IV 000093
15	Machine screw M6 x 10mm (2pcs), Top & Bottom hanging bracket (4pcs) + screw (8pcs)	IV 000094
16	Cable clip (2pcs)-use to fix wire	IV 000092
17	Aerial connection (1pc)	
18	90 degree HDMI adaptor (1pc)	
19	Allen key (M4) (1pc)	
20	Pan head screw M4 x 20mm (2pcs)	
21	Pan head screw M5 x 20mm (2pcs)	
22	Pan head screw M6 x 20mm (2pcs)	
23	Pan head screw M8 x 20mm (2pcs)	
24	M5 washer (2pcs)	
25	M6 washer (2pcs)	
26	M8 washer (2pcs)	
27	Plastic collar (6pcs)	
28	Pan head screw M4 x 40mm (2pcs)	
29	Pan head screw M5 x 40mm (2pcs)	
30	Pan head screw M6 x 40mm (2pcs)	
31	Pan head screw M8 x 40mm (2pcs)	
34	Long Speaker Mesh - (Gun Metal)	
35	USB Charger Type A / C - (Gun Metal)	IV 000125

AUDIO SPECIFICATION

2.1 Speaker Channel

2 x Rectangular Speaker

1 x 4-inch Round Woofer

Total Sound Output

Footboard integrated, Front Facing 1 x LHS Speaker: 10W

Footboard integrated, Front Facing 1 x RHS Speaker: 10W

Footboard integrated, Built In 1 x Woofer Speaker 25W

Footboard Controller "Self-Install" - 2.1 Channel Amplifier Controller box

Input Power AC	: 100-240v AC = 50/60Hz, 1.6A
Output Power DC	: 24V ~ 2.1A
Rating Power	: 50.4W
Music Power	: 45W
Bluetooth BT	: 4.0 Version (BSSB 2.1S)
HDMI In/Out	: Arc (2.0 Version)
Sound Decoder	: PCM
Optional Input	: Optical
Remote Frequency	: RF433 MHz
Battery Size	: AAA- 1.5V x 2 pieces
Power Consumption	: <0.5W
Energy Power saving	: Auto Switch to Low power consumption state (Without any signal and connection received)

Footboard Integrated - Linear Actuator TV Lift Mechanism System

RF433 Radio Frequency Plastic Remote control UP/STOP/DOWN Function by One-time press)

Input Power : 100 - 240V, 50/60Hz, 1.500mA

Output Power : DC 29V - 2.0A

Maximum load : 30Kg

Max Duty Cycle : Max 10% Max 2 min/18min

Care and maintenance

Here are some tips to keep your new bed in tip-top condition



Cleaning

To clean your new bed, we'd advise using a warm damp cloth - please do not use abrasive chemicals or bleach as this may damage the product.



Checking and moving

Periodically we recommend you check that the screws or fixtures haven't become loose, over time. To move your new bed, we recommend lifting it where possible, as dragging or pushing it could cause damage to your flooring.



Wood

Please note each of our wooden pieces are unique, meaning that markings and shade can vary slightly between beds. Over a period of time, the wood might lighten or fade slightly due to light exposure.



Fabric

Please note depending on the lighting, positioning and surroundings of your room, the shade of the colour can sometimes appear slightly different. Over a period of time, the colour might lighten or fade slightly due to light exposure.



Metal

Metal tends to be more resilient to everyday wear and tear. We recommend to gently dust your metal furniture and keep it dry to maintain its look.

Thank you for shopping with us - we hope you have a great night's sleep

Sleep well