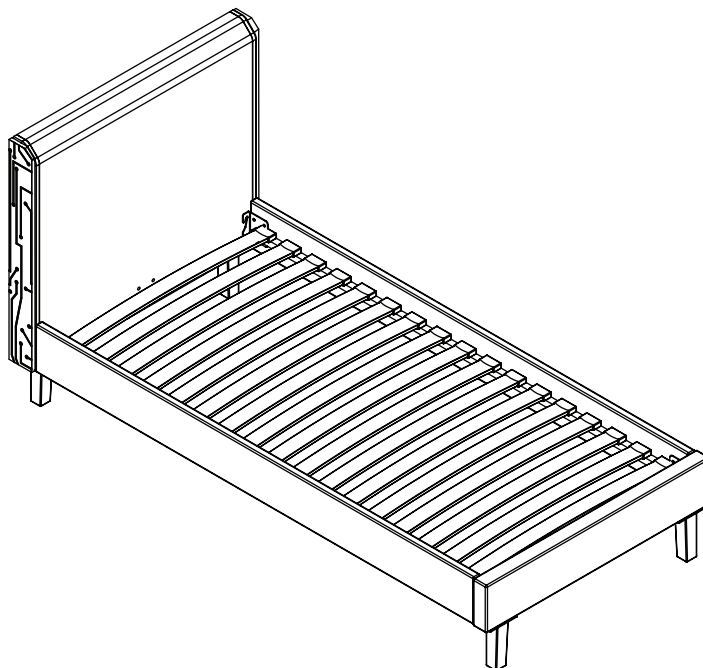
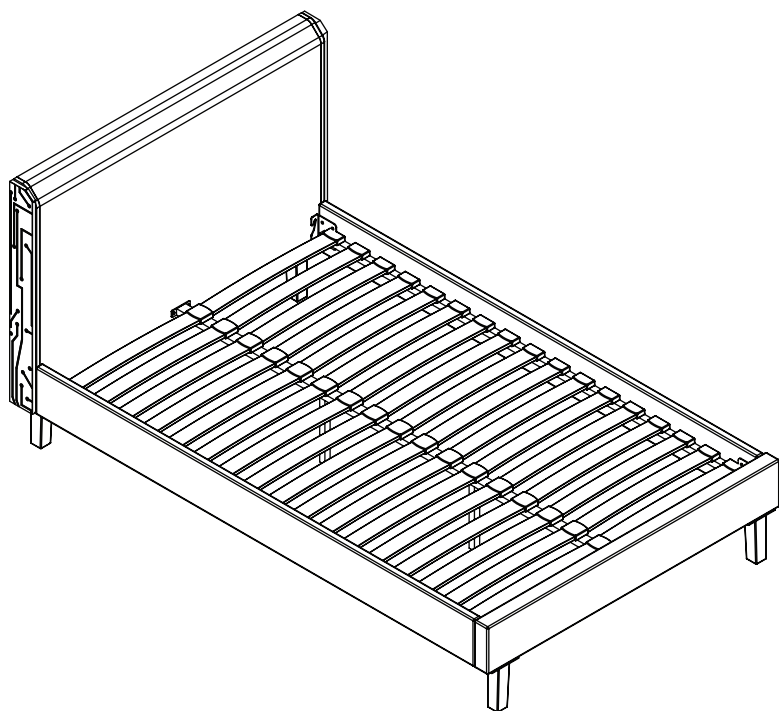


Glitch Bedstead with LED

Single



Small Double



1.5 hour approx
assembly time



Two person
assembly

Dreams

Love your bed

Thank you

Hello, thanks for choosing to purchase your bed from Dreams - you're now on your way to your best ever night's sleep. Before you begin building your bed, please take a moment to read through the instructions and make sure that you've got all the relevant parts listed on the following pages.



Assembly tips

Before you begin, it's best to identify all parts and fittings to build your bed. We advise laying these out on the floor to check you have everything, and familiarising yourself before building.



Top tip

We recommend that you build your new bed in the room you'd like it to be located - this will help prevent any risk of damage to your newly built bed whilst moving it.



Safety and care

It's really important to ensure children and animals are kept away from the assembly area, as there are small components used in this bed which could present a choking hazard. All plastic and wrapping materials should also be kept away from children and animals to prevent any risk of suffocation. To keep your little ones busy, there is a colouring page inside the back cover.



Help and support

At Dreams, it's our mission to give the whole nation a great night's sleep - this means that the quality of our products is of utmost importance to us. If there are any issues with your product or any missing parts, please visit our website at www.dreams.co.uk/help



Recycling

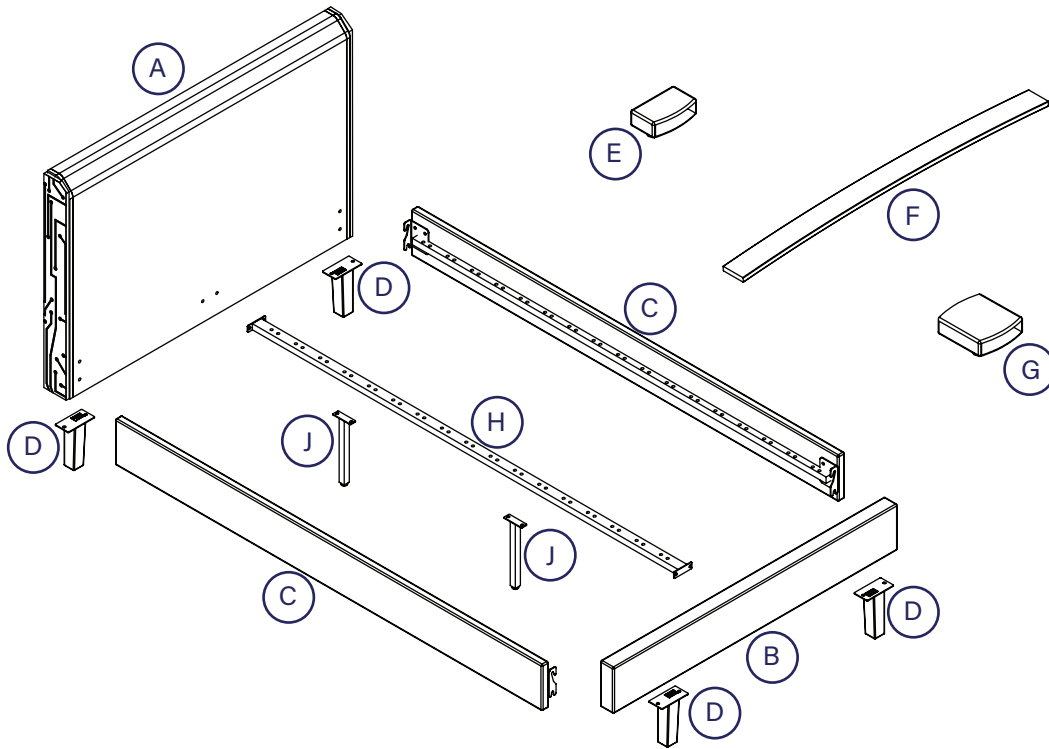
As part of our zero to landfill policy, we're more than happy to collect and recycle your old bed or mattress, ensuring no part goes to waste. We will also take away all your packaging for recycling at point of delivery. Please check out our services on www.dreams.co.uk/recycling-services for more information. If you do not want us to do this, please check with your local recycling centre on the best recycling method.

Parts

Important information

The bed you have purchased comes with wooden slat set, please follow the instructions below in the current order. Before you begin building your bed, please take a moment to read through the instructions and make sure that you've got all the relevant parts listed on the following pages.

Small Double Shown

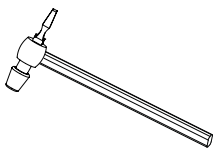


Parts list

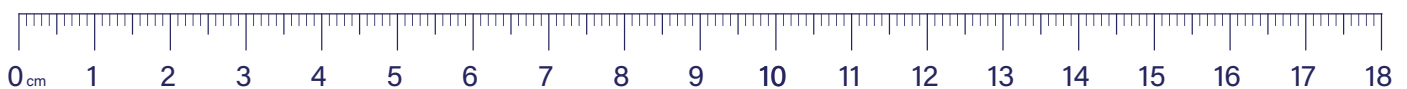
Code	Description	Qty	Pack	Code	Description	Qty	Pack
A.	Headboard	1	1	F.	Wooden Slats	17	1
B.	Footboard	1	1		Single	34	1
C.	Side rails	2	2		Small Double		
D.	Feet	4	2	G.	Double Plastic Caps	17	2
E.	Single Plastic Caps	17	2	H.	Centre Support Rail	1	2
				J.	Centre Support Rail Legs	2	2

**Only for
Small Double**

Tools required



Hammer

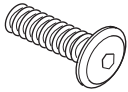





Fittings

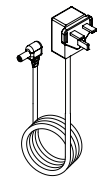

Please check you have all the parts listed below with your product:

PLEASE NOTE: There are bolts which have been pre-fitted to the Headboard & Footboard (A&B) not included below - please study Step 1 carefully.

Hardware pack (A) needed for assembling bed - Packed with the side rails - Pack 2

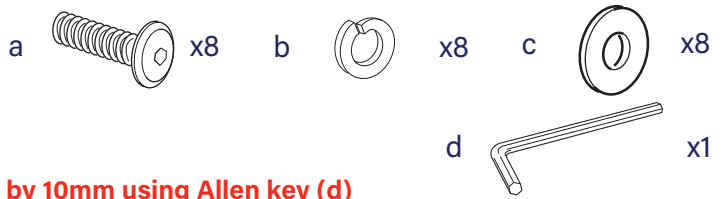
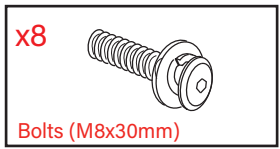
<p>a Single x8 Small Double x16</p>  <p>Bolts (M8x30mm)</p>	<p>b Single x8 Small Double x16</p>  <p>Spring Washer for M8 bolt</p>	<p>c Single x8 Small Double x16</p>  <p>Flat Washer for M8 bolt</p>	<p>d x1</p>  <p>Allen Key for M8 bolt</p>
--	--	--	---

Hardware pack (B) for the LED arrays - Packed with the headboard - Pack 1

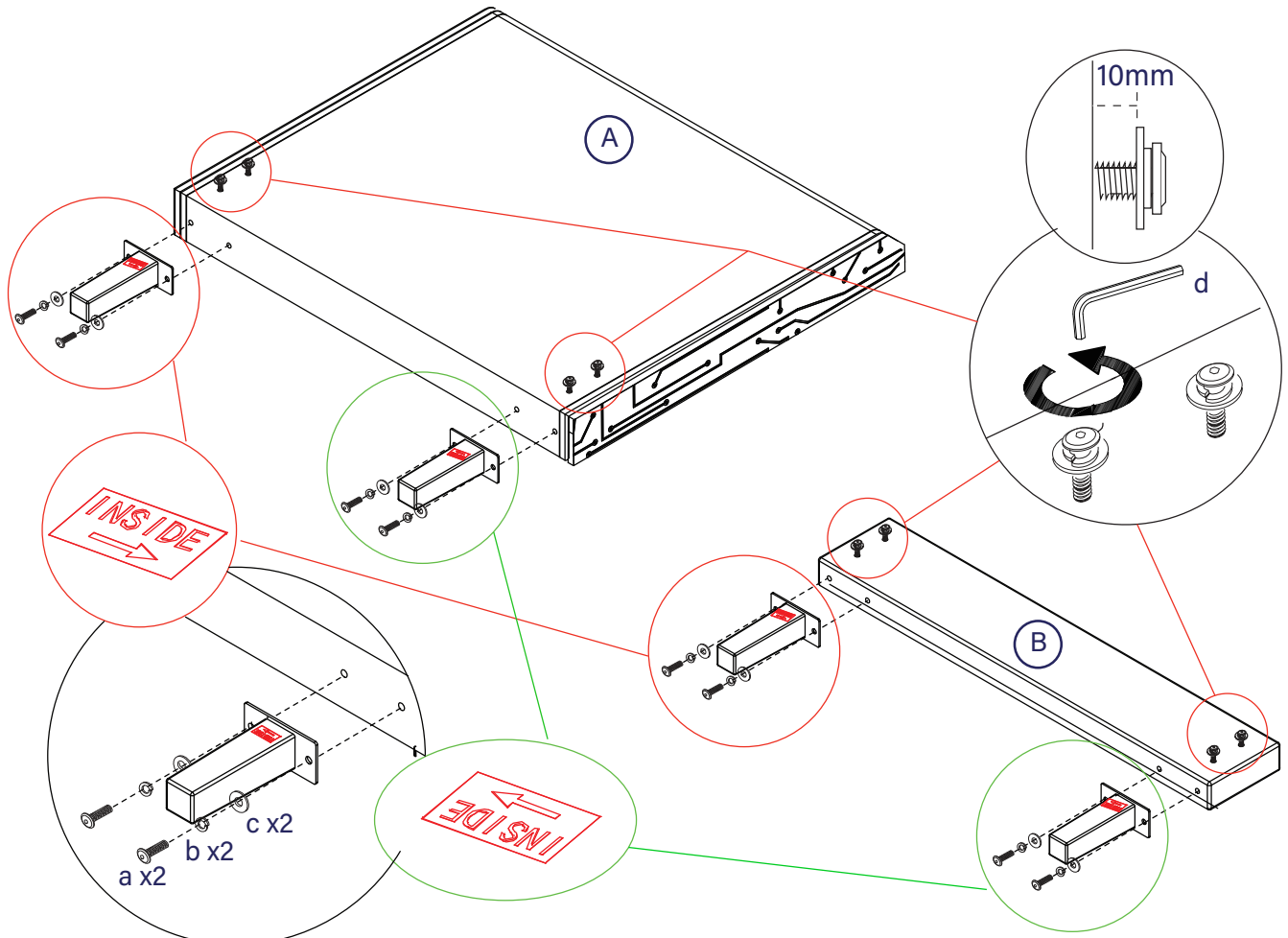
<p>e x1</p>  <p>Mains power lead</p>	<p>f x1</p>  <p>LED remote control</p>
---	---

1 Prepare the headboard and footboard for assembly (A&B).

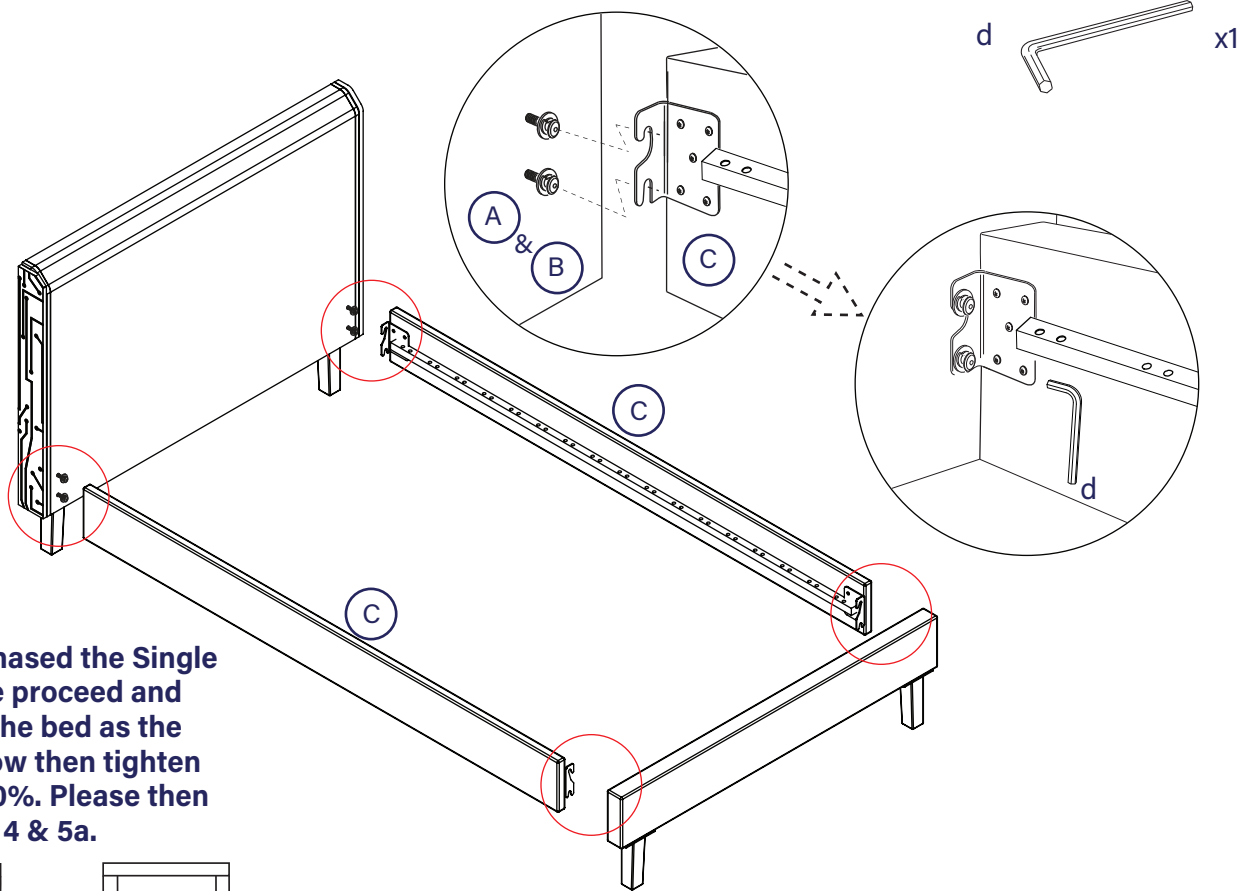
Hardware pre-fitted to the Headboard & Footboard.



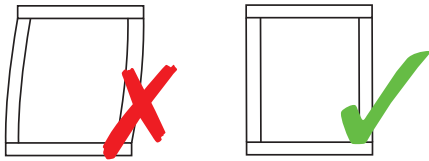
Please do not remove these screws - unscrew them by 10mm using Allen key (d)



2 Fit both side rails to headboard and footboard, tighten all bolts 90%.

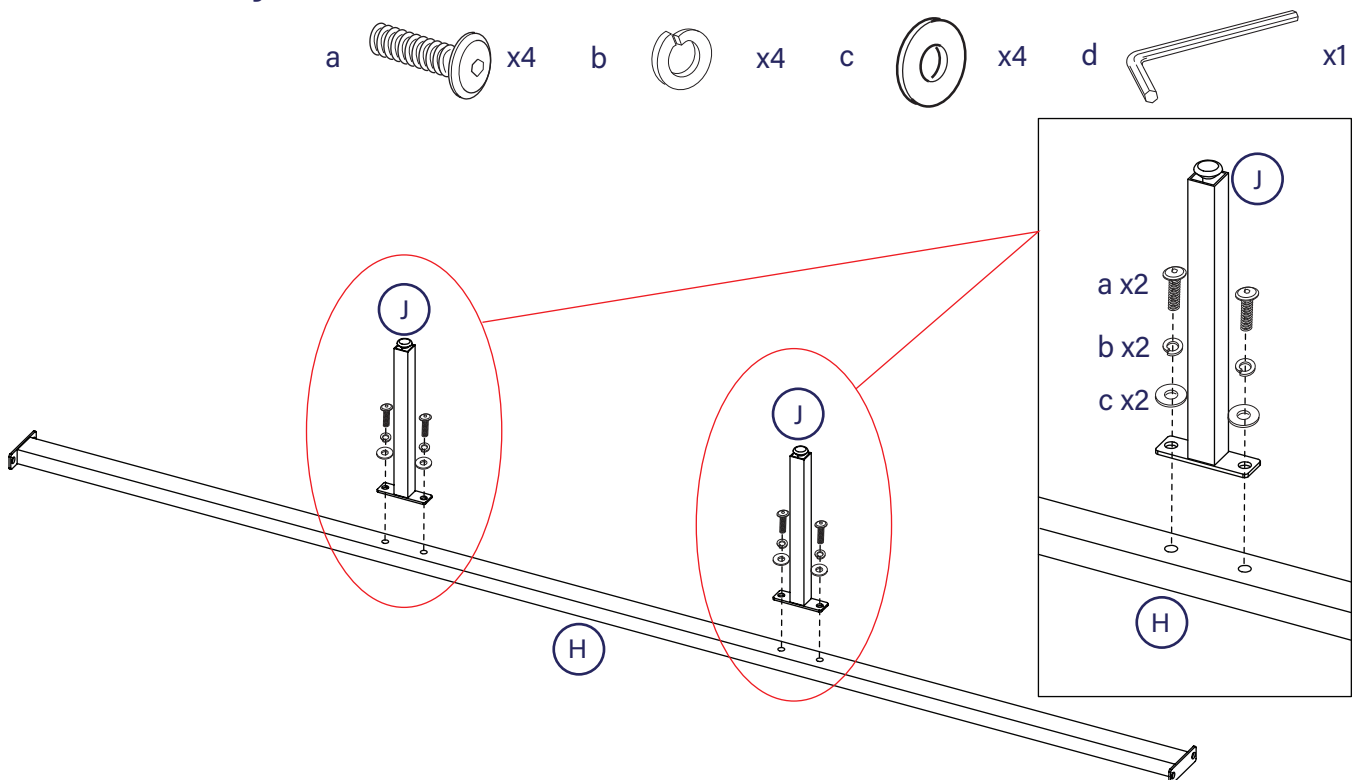


If you purchased the Single size, please proceed and square up the bed as the sketch below then tighten all bolts 100%. Please then follow step 4 & 5a.

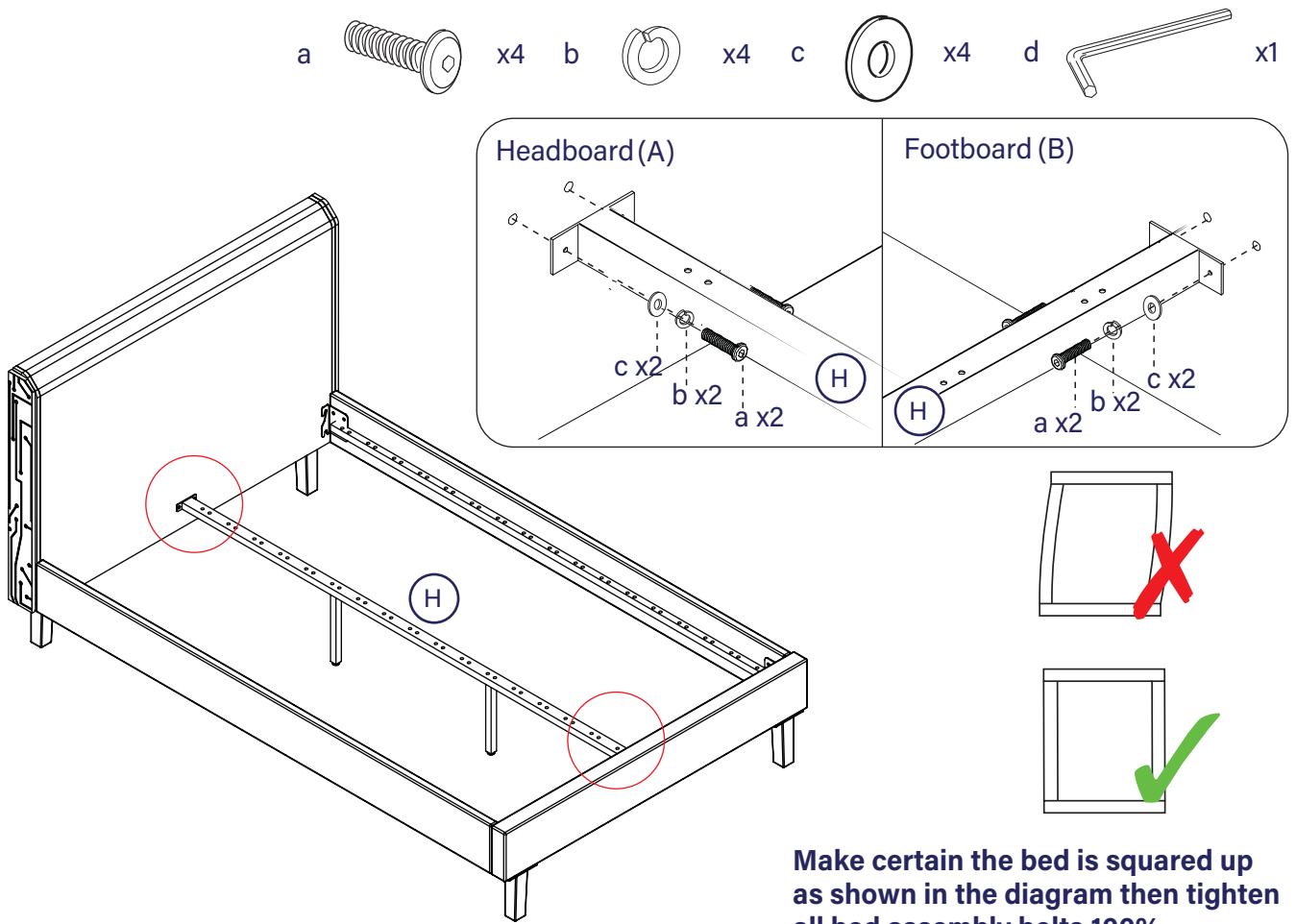


If you purchased the Small Double size, please follow the steps below.

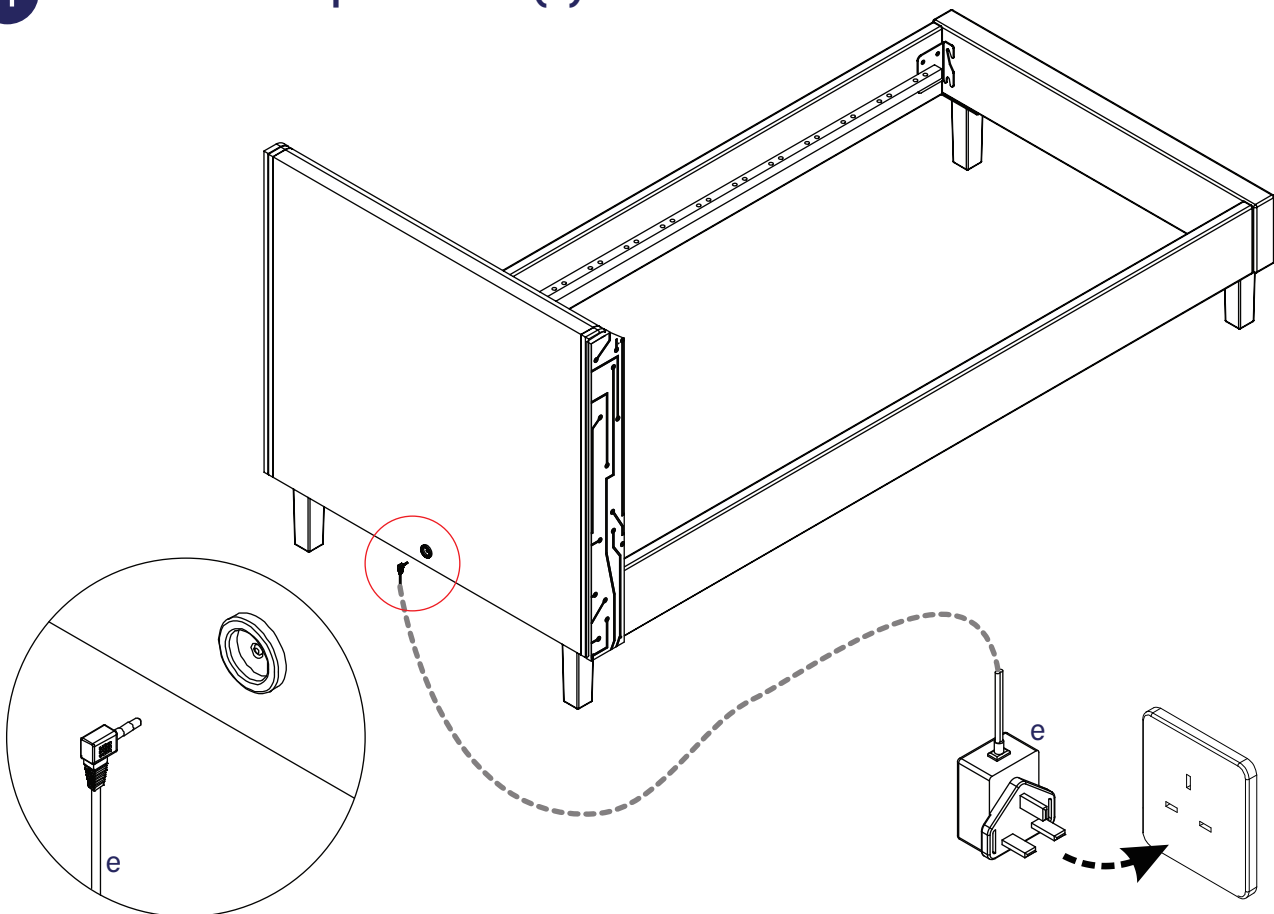
3a Prepare the centre support rail (H). This is supplied for the Small Double size bed only.



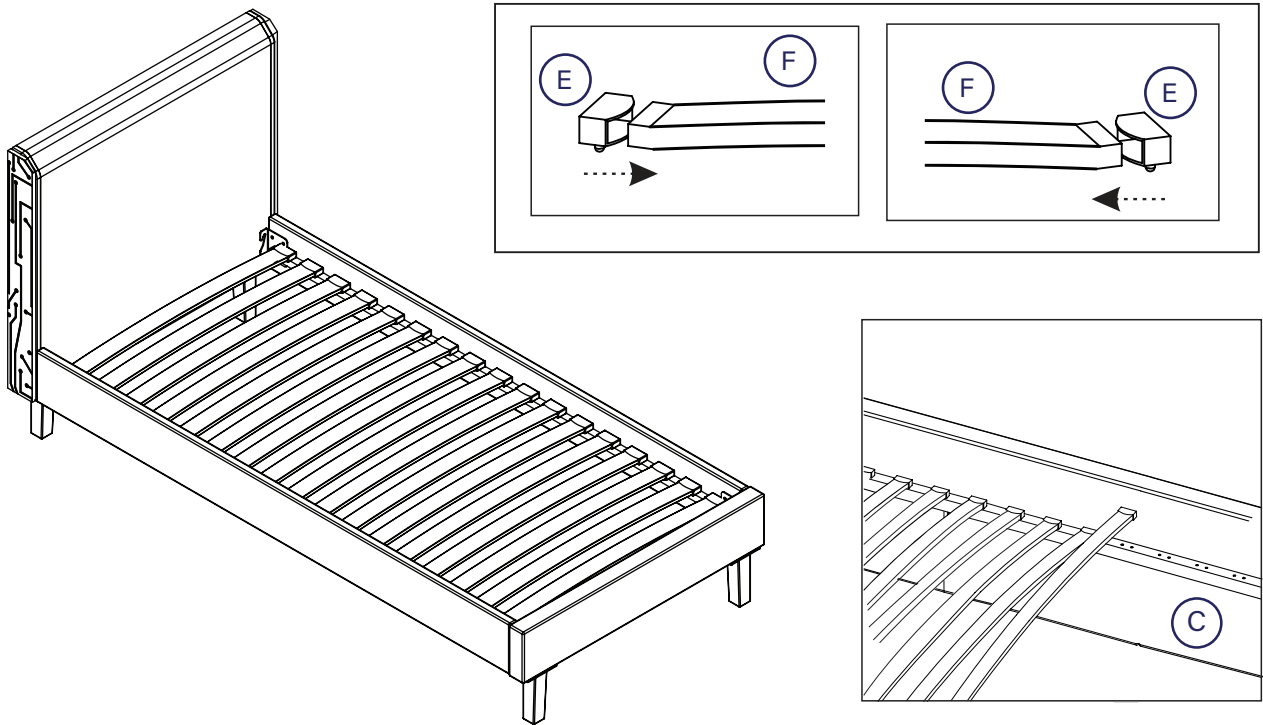
3b Carefully fit the centre support rail taking care not to damage the fabric



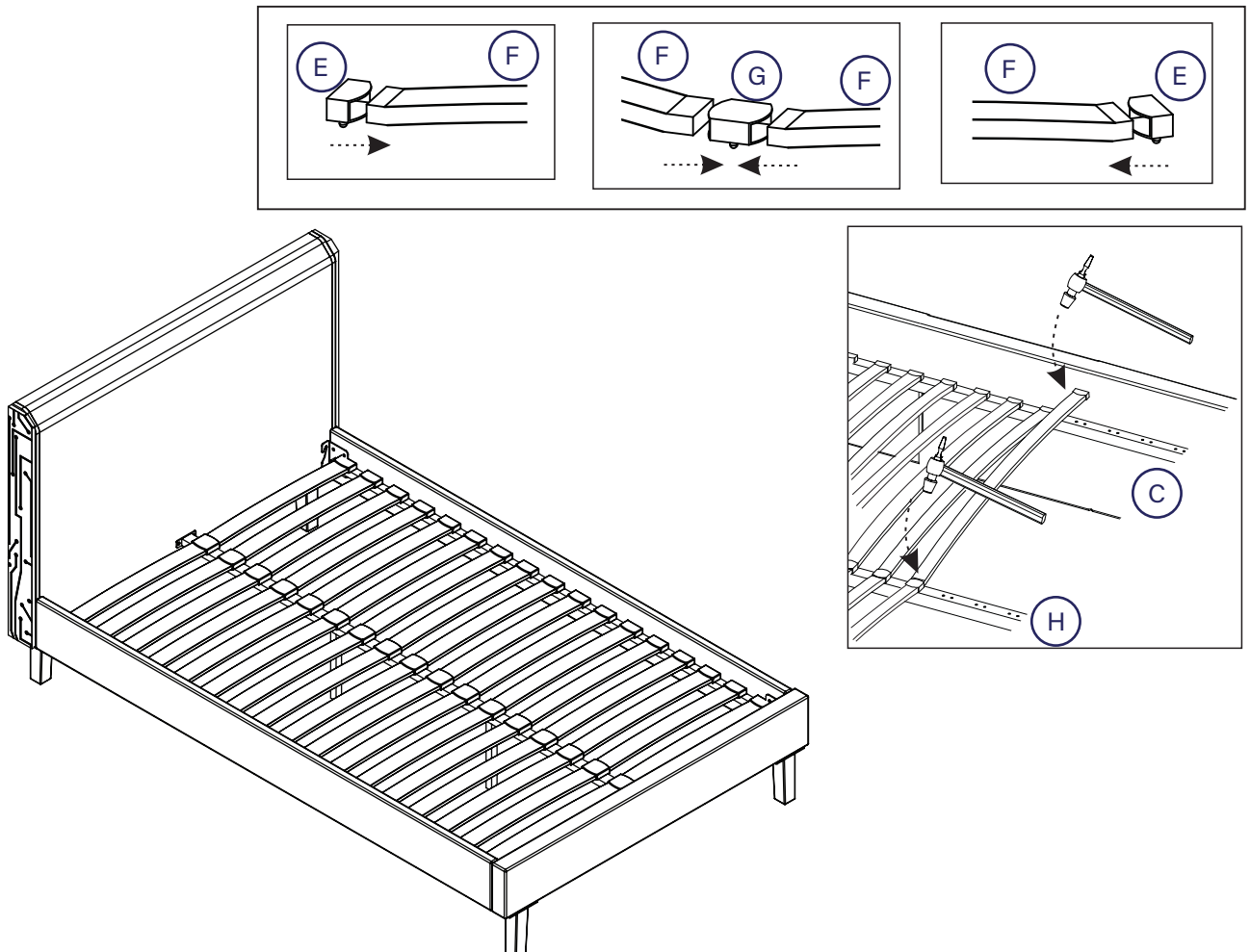
4 Connect mains power lead (e).



5a For Single size, fit the wooden slats (F) and single plastic caps (E) onto the side rail supports.



5b For Small Double size, fit the wooden slats (F) and single & double plastic caps (E&G) on the side rail and centre supports as shown.



LED REMOTE CONTROL

	Power on/off	Short press to auto play 358 kinds of effects. Press 5 times to enter the RGB colourful jump effect.	
	Speed +	Mode + (358 modes)	Brightness +
	Speed -	Mode - (358 modes)	Brightness -
		Remote control ID match: long press 5 seconds remote control one to one match (LED strip green flash 3 times), again press 5 seconds to cancel the match (LED strip white flash 3 times).	
	To adjust the number of LED pixel points and the RGB order: press and hold for 5 seconds to enter the setup menu and press "MODE +" and "MODE -" to adjust the number of LED pixel points. Press the RGB button to adjust the RGB order. Press R until the LED strip shows red. Press G until the LED strip shows green, press B until the LED strip shows blue. Adjust the end press the "Set" Key to exit.		
Single cycle play: At automatic playback mode, press the "Set" button once, then "lock" button to capture the current effect loop play.			

Care and maintenance

Here are some tips to keep your new furniture in tip-top condition



Cleaning

To clean your new furniture, we'd advise using a warm damp cloth or if fabric, remove dust using a low suction vacuum cleaner - please do not use abrasive chemicals or bleach as this may damage the product.



Checking and moving

Periodically we recommend you check that the screws or fixtures haven't become loose, over time. To move your new furniture, we recommend lifting it where possible, as dragging or pushing it could cause damage to your flooring.



Wood

Please note each of our wooden pieces are unique, meaning that markings and shade can vary slightly between furnitures. Over a period of time, the wood might lighten or fade slightly due to light exposure.



Fabric

Please note depending on the lighting, positioning and surroundings of your room, the shade of the colour can sometimes appear slightly different. Over a period of time the colour might lighten or fade slightly due to light exposure.



Metal

Metal tends to be more resilient to everyday wear and tear. We recommend to gently dust your metal furniture and keep it dry to maintain its look.

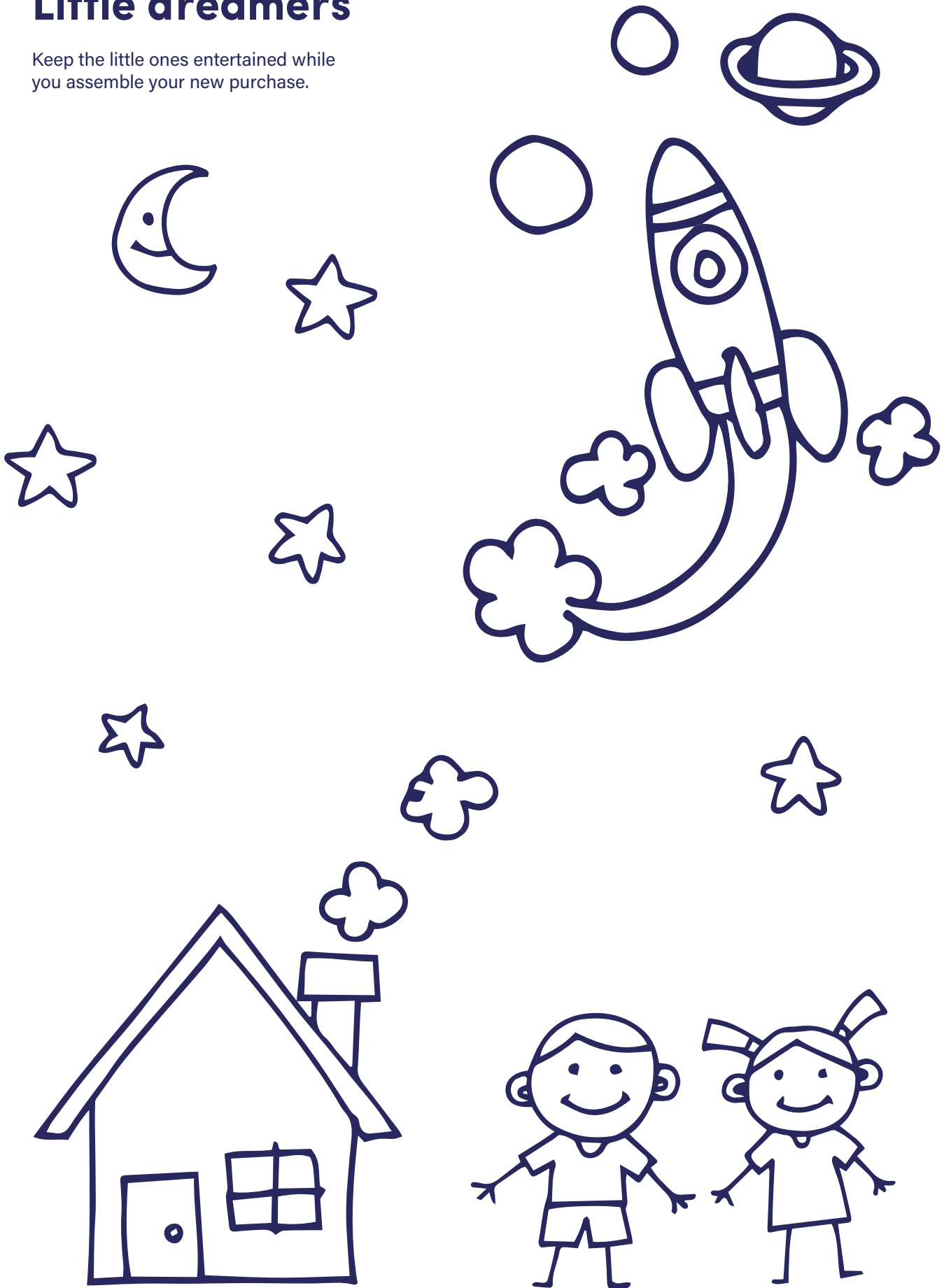
Thank you for shopping with us - we hope you have a great night's sleep

Sleep well



Little dreamers

Keep the little ones entertained while you assemble your new purchase.



Dreams

Love your bed